

FRONT OF
VEHICLE

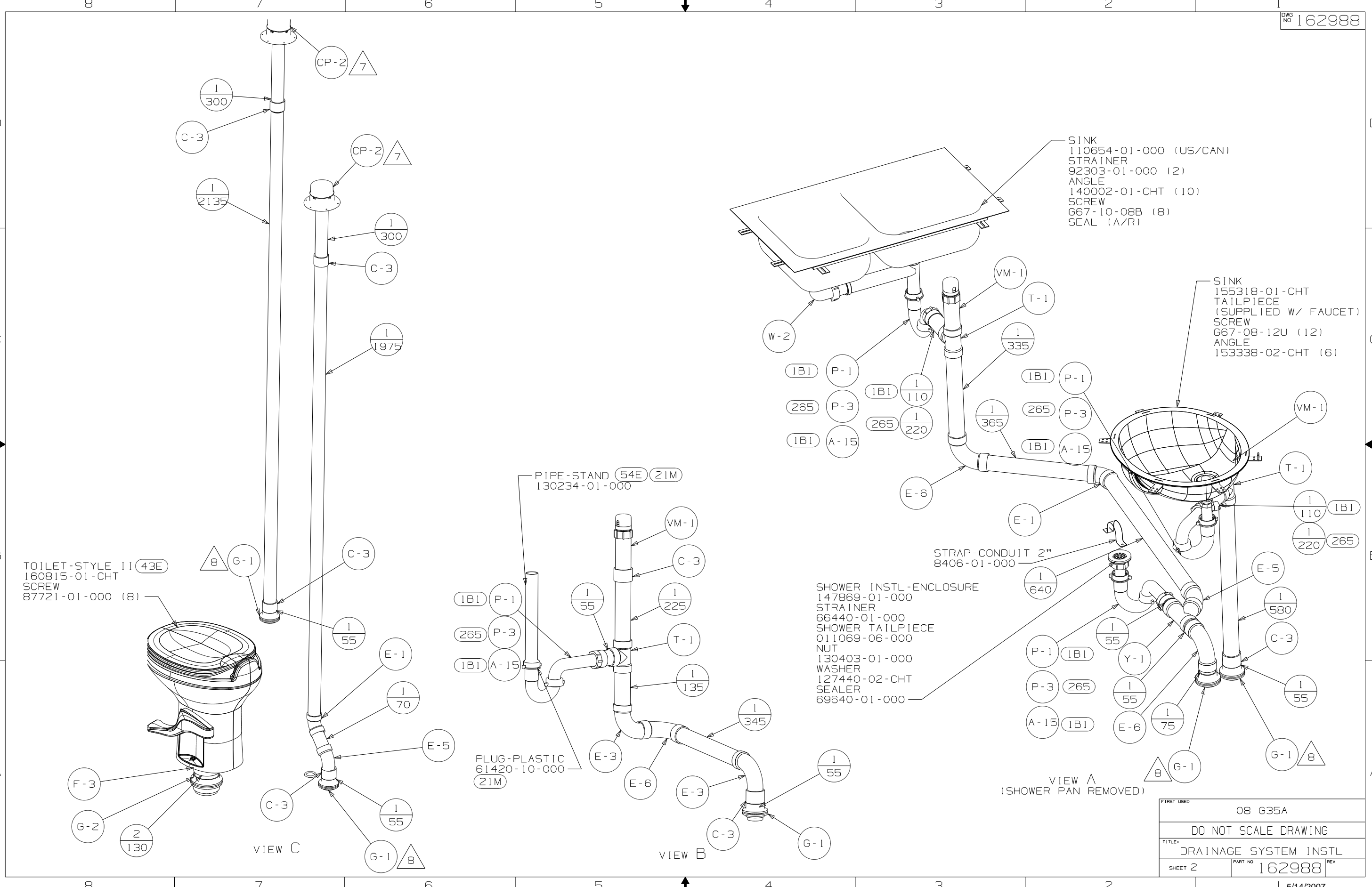
- (54E) WASHER/DRYER
- (21M) WASHER/DRYER PREP
- (265) CODES/STANDARDS-CSA/CMVSS
- (1B1) CODES/STANDARDS-USA
- (43E) TOILET-PORCELAIN, ROUND

- 8 SECURE VENT TUBES TO FLOOR WITH BRACKET 136878-01-CHT (3) CLAMP 62401-02-000 (3), SCREW G67-10-12B (3).
- 7 VENT PIPE MUST PROJECT 51 MIN AND 64 MAX ABOVE ROOF FOR PROPER FIT AND FUNCTION.
6. ROF CANADIAN UNITS EACH HOLDING TANK SHALL HAVE A CSA APPROVAL STAMPED NEAR THE IAMPO APPROVAL.
5. SEAL AROUND SHOWER WITH SILICONE.
4. ALL EXTERIOR OPENINGS AROUND PIPE TO BE SEALED WITH 100744-01-000.
3. ALL PIPE AND FITTINGS TO BE ASSEMBLED WITH SOLVENT 4020-01-000 (US), 4020-02-000 (CAN)..
2. SLOPE OF TRAP ARM MUST BE 6 PER 305 mm.
1. SLOPE OF HORIZONTAL PIPING TO BE 6 PER 305 mm.

NOTES:

(X-X)
FOR
DRAINAGE
CALLOUTS
SEE DWG NO.
116229-01-000

WINNEBAGO		COPYRIGHT 2007 WINNEBAGO INDUSTRIES, INC.	
DFTF	ORIG. DATE	ALL DIMENSIONS ARE IN MILLIMETERS	
CHKR		FIRST USED	
P.E.		08 G35A	
M.E.		UNSPECIFIED TOLERANCES ARE:	
DSNR		MATERIAL:	
		WHOLE DIM (X) :	5
		ONE-PLACE (X.X) :	
		TWO-PLACE (X.XX) :	
		ANGLE :	
THIRD ANGLE PROJECTION		DO NOT SCALE DRAWING	
TITLE: DRAINAGE SYSTEM INSTL			
SHEET 1 OF 3	PART NO	162988	REV
REF:	1 5/14/2007		



FIRST USED	08 G35A	
TITLE	DO NOT SCALE DRAWING	
	DRAINAGE SYSTEM INSTL	
SHEET 2	PART NO	162988
	REV	

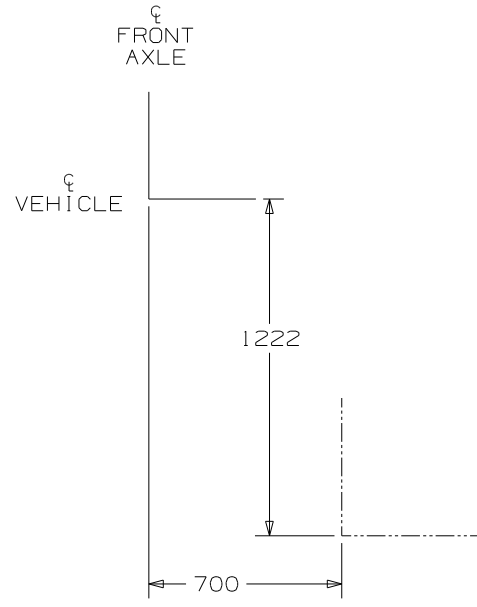
BRACKET - ANGLE, W/HOLES
94756-02-CHT

PLATFORM-HOLDING TANK
126714-33-000

PLATFORM-HOLDING TANK
126714-10-000

PLATFORM-HOLDING TANK
126714-22-000

PLATFORM-HOLDING TANK
126714-10-000



VIEW D

TANK - HOLDING
150413-02-000

TANK - HOLDING
150414-02-000

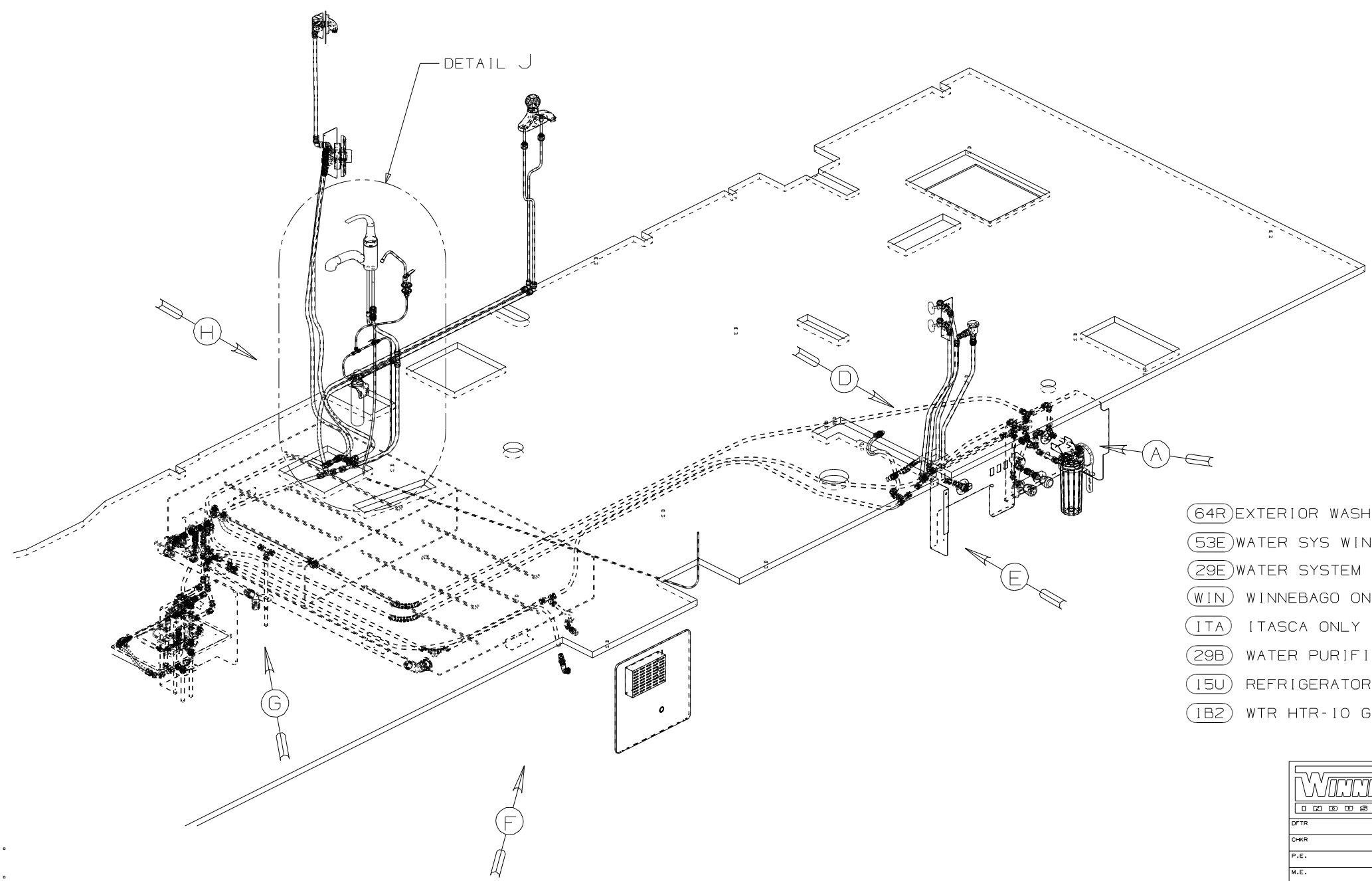
VIEW E

VALVE - SEWER
 144728-01-000
 CLAMP - HOSE
 062401-09-000
 LABEL - DRIP VALVE
 147845-01-CHT

FIRST USED	08 G35A	
TITLE	DO NOT SCALE DRAWING	
	DRAINAGE SYSTEM INSTL	
SHEET 3	PART NO	162988
	REV	

DWG NO	----
162997-01	(WIN)
162997-02	(ITA)

RELEASE	REV DATE	DWG NO
A		162997
REV ZONE	REVISION RECORD	DATE
		DFTR-0R16

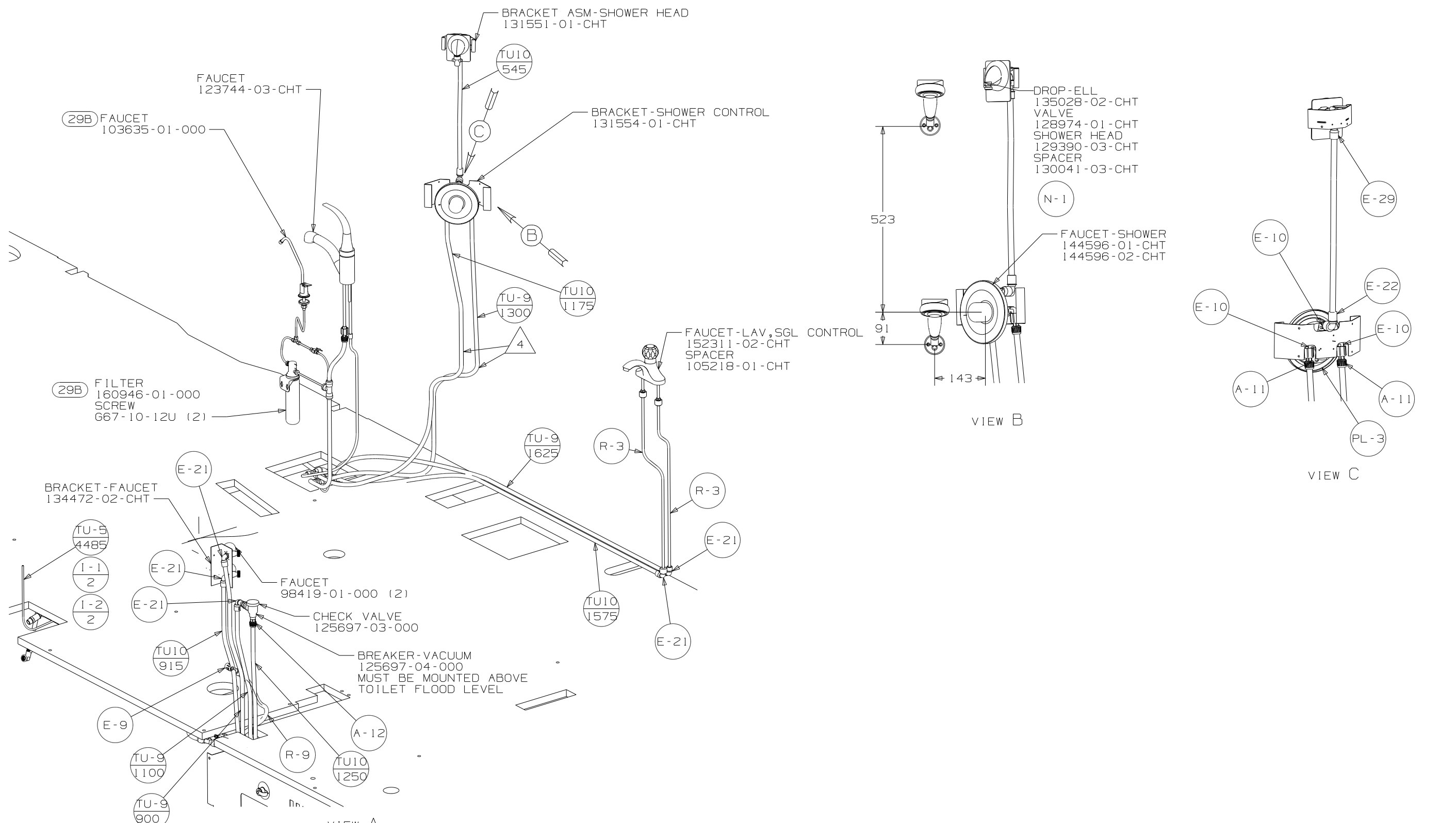


- (64R) EXTERIOR WASH STATION
- (53E) WATER SYS WINTERIZATION PKG
- (29E) WATER SYSTEM FILTRATION PKG
- (WIN) WINNEBAGO ONLY
- (ITA) ITASCA ONLY
- (29B) WATER PURIFIER
- (15U) REFRIGERATOR/FRZR W/ICEMAKER
- (1B2) WTR HTR-10 GAL/ELEC/LP/MTR AID

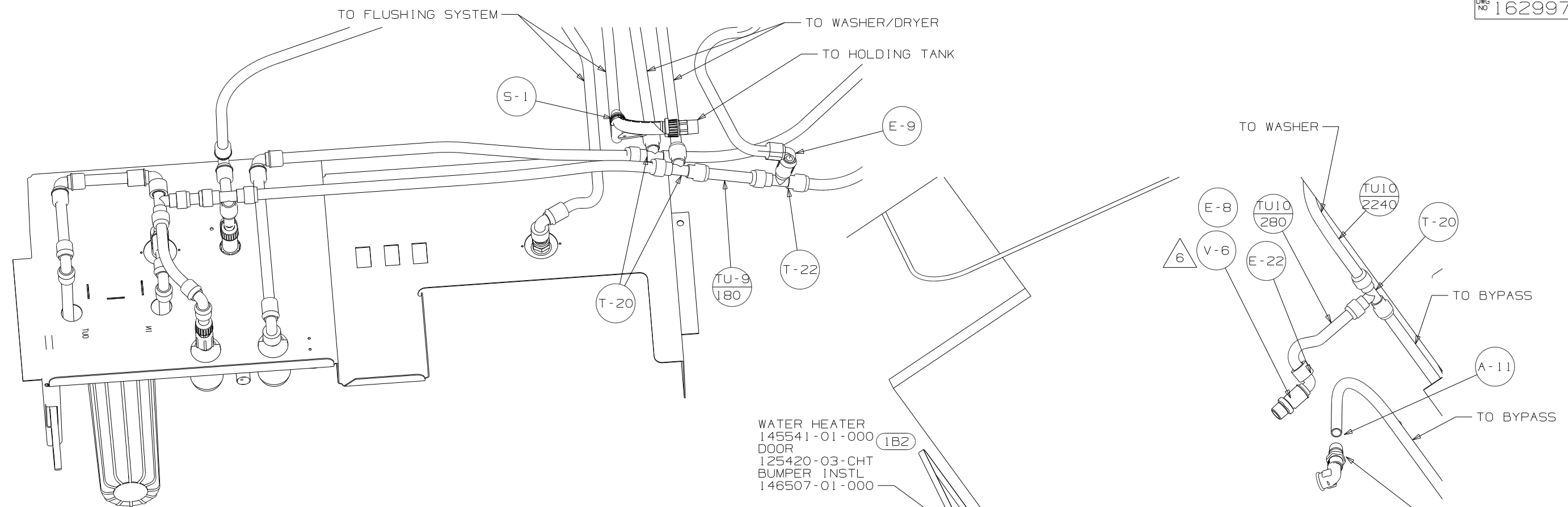
- NOTES:
- 6 ADD TEFLON TAPE 10405-01-000.
 - 5 ADD TEFLON TAPE 10405-02-000.
 - 4 ADD PIPE WRAP (LADDER SCRAP).
3. ALL TUBING TO BE SECURED AT 1200 INTERVALS MAXIMUM WITH CLAMP 10495-01-000 OR CLIP 9151-01-000 AND SCREW G67-10-12B OR ZIP TIE.
 2. TUBING TO BE INSTALLED WITH SUFFICIENT SLOPE TO PROVIDE DRAINAGE TO NEAREST VALVE.
 1. PLASTIC FITTINGS TO BE SEALED WITH SEALANT 84456-01-000.

WINNEBAGO		COPYRIGHT 2007 WINNEBAGO INDUSTRIES, INC.	
DFTR	ORIG. DATE	ALL DIMENSIONS ARE IN MILLIMETERS	
CHKR		FIRST USED	
P.E.		08 G35A	
M.E.			
DSNR			
UNSPECIFIED TOLERANCES ARE:		MATERIAL:	
WHOLE DIM (X)	: 7		
ONE-PLACE (X.X)	:		
TWO-PLACE (X.XX)	:		
ANGLE	:		
THIRD ANGLE PROJECTION			
DO NOT SCALE DRAWING			
TITLE: WATER SYSTEM INSTL			
SHEET 1 OF 5	PART NO	162997	REV
REF:	12/12/2007		

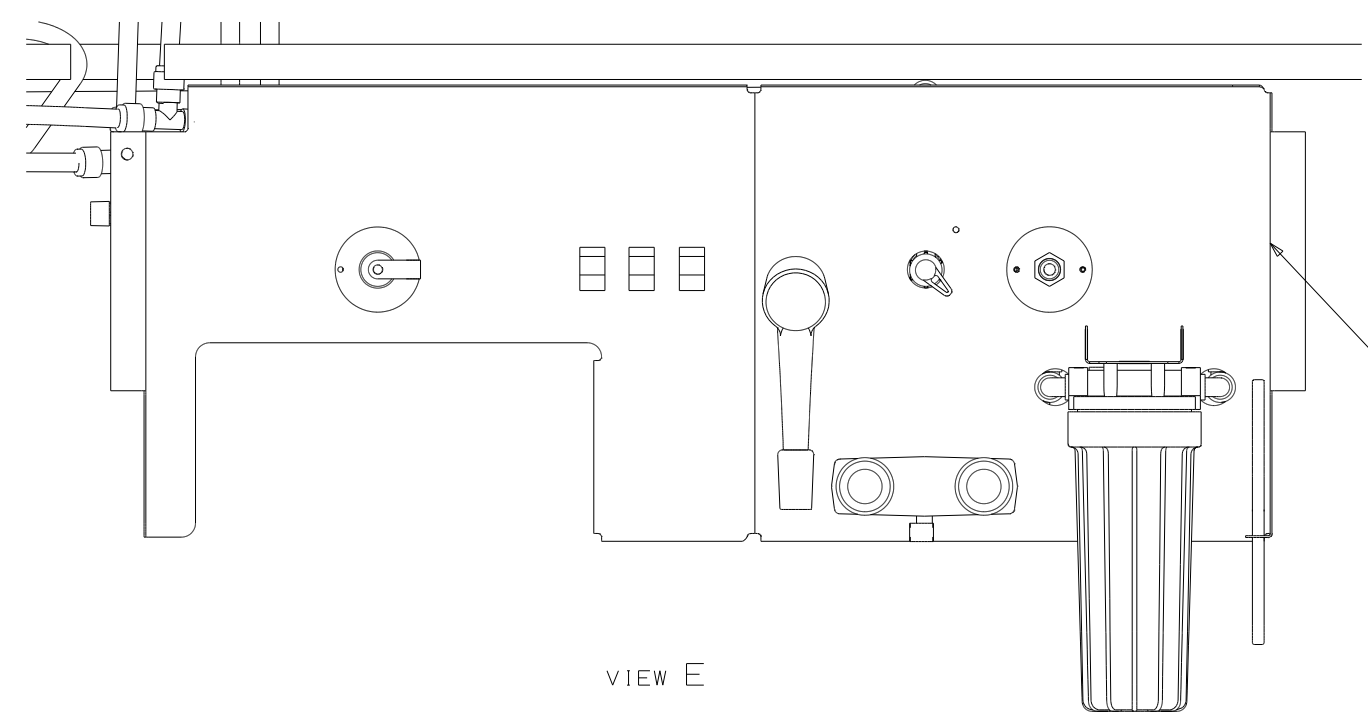
(X-X)
FOR
WATER
CALLOUTS
SEE DWG NO
116230-01-000



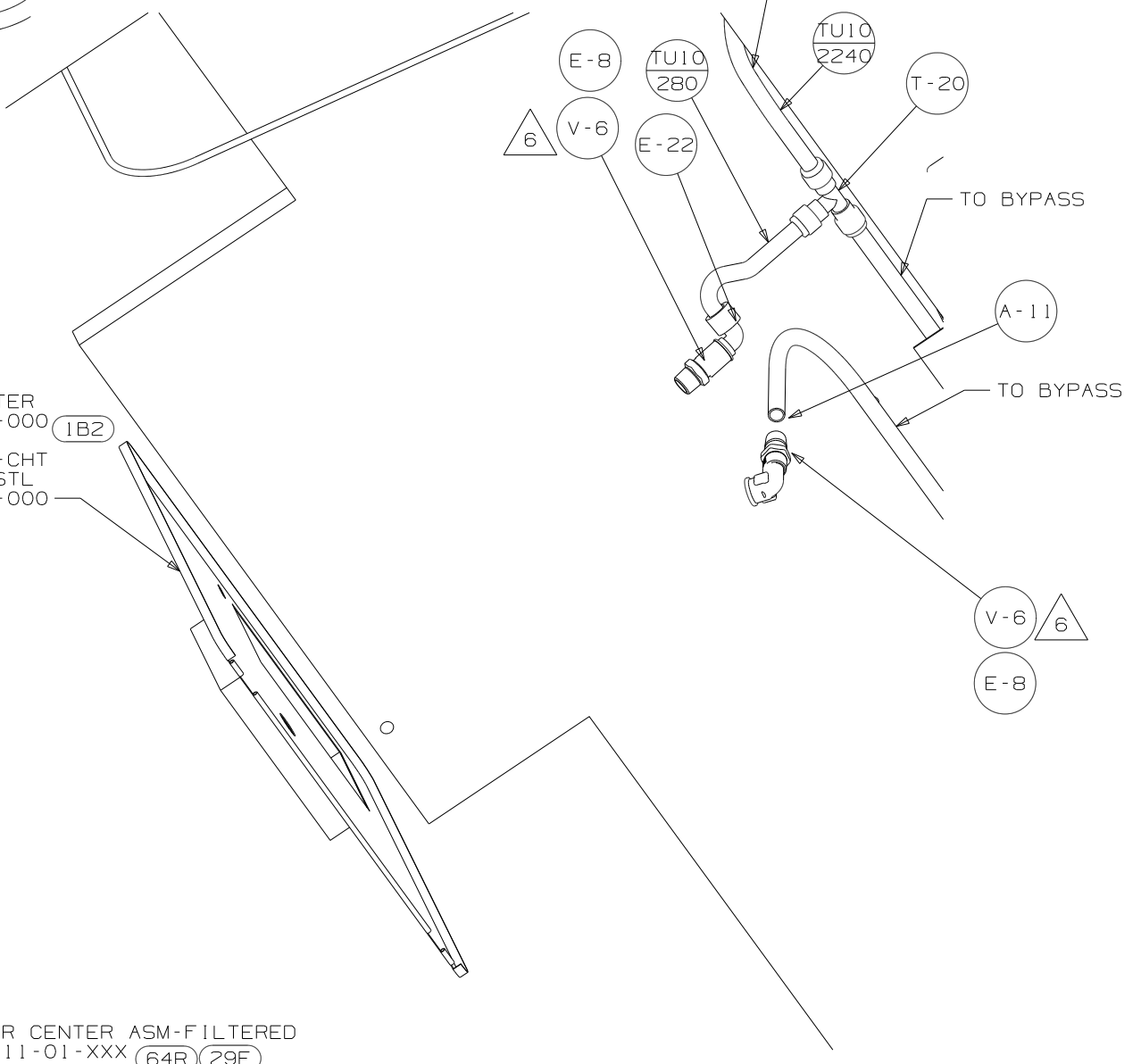
FIRST USED	08 G35A		
TITLE	DO NOT SCALE DRAWING		
TITLE	WATER SYSTEM INSTL		
SHEET 2	PART NO	162997	REV



VIEW D

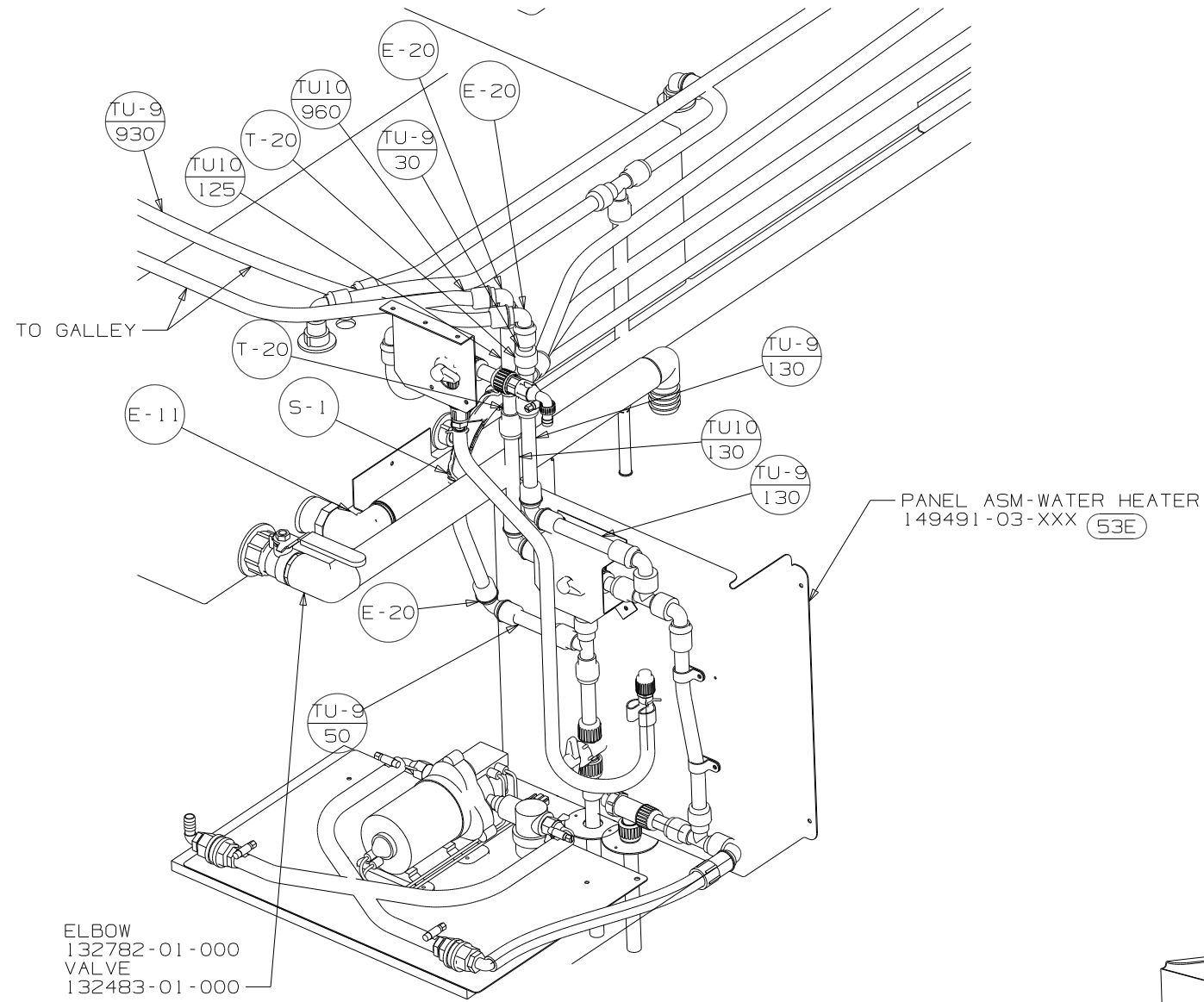


VIEW E

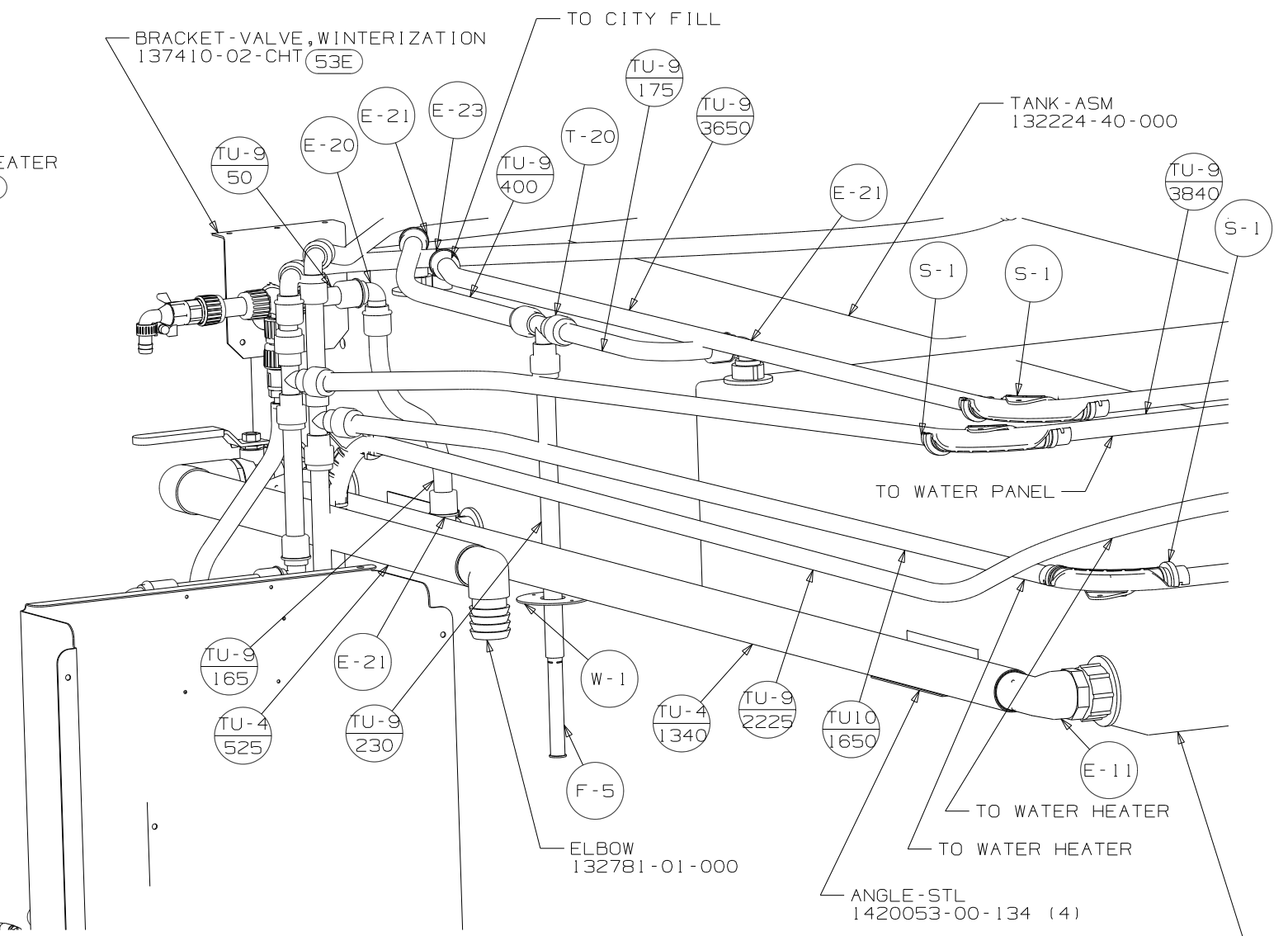


VIEW F

FIRST USED	08 G35A
TITLE	DO NOT SCALE DRAWING
SHEET 3	PART NO 162997 REV

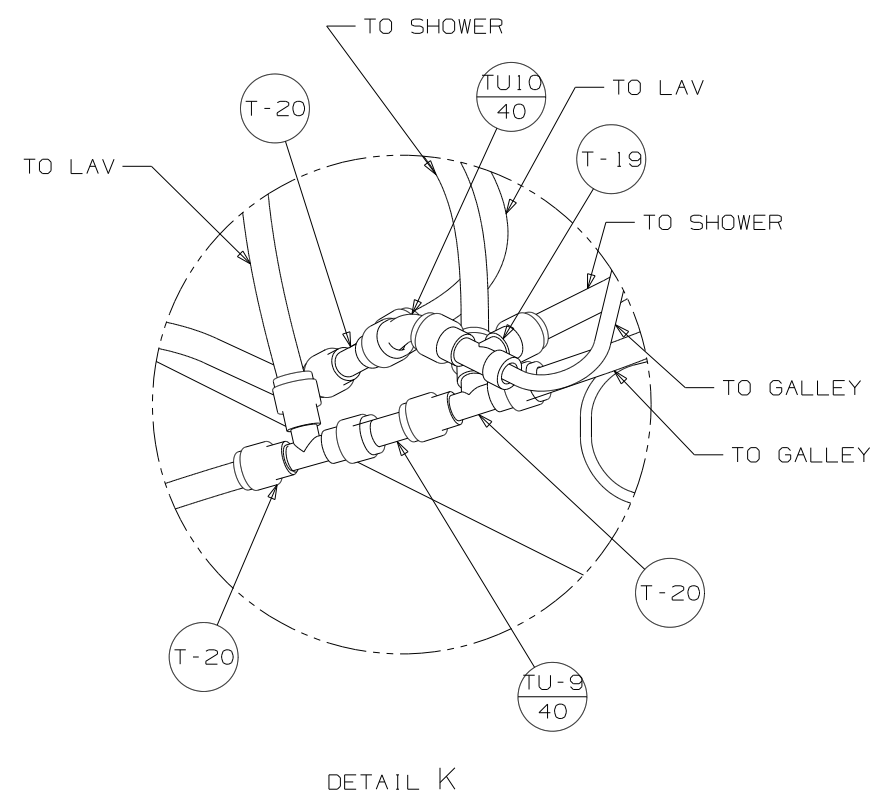
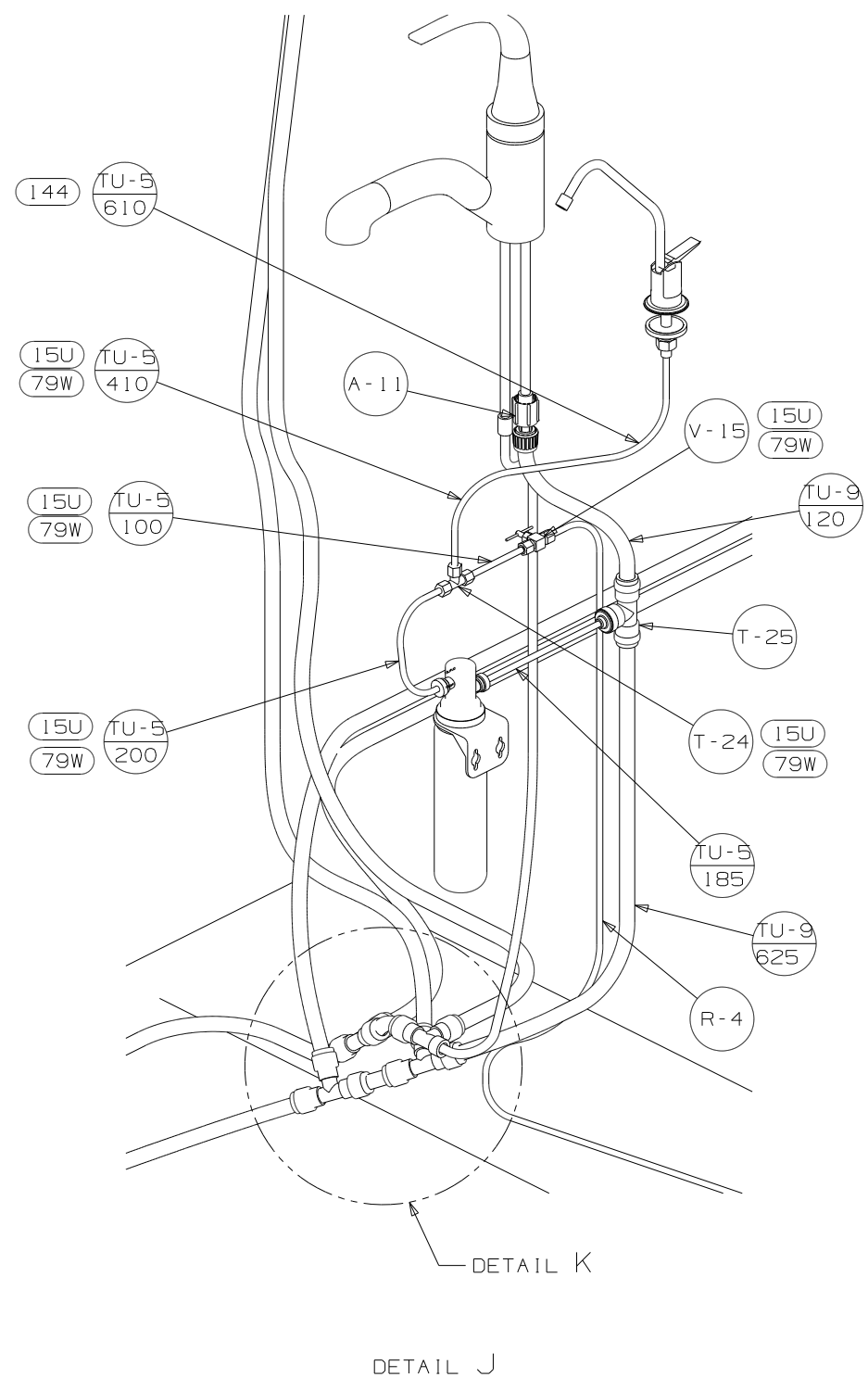


VIEW G



VIEW H
SHOWN W/O FLOOR

FIRST USED	08 G35A		
TITLE	DO NOT SCALE DRAWING		
TITLE	WATER SYSTEM INSTL		
SHEET 4	PART NO	162997	REV



FIRST USED	08 G35A		
TITLE	DO NOT SCALE DRAWING		
TITLE	WATER SYSTEM INSTL		
SHEET 5	PART NO	162997	REV