



DANGER

Danger of electrical shock, burns or death. Always remove all power sources before attempting any repair, service or diagnostic work. Power can be present from shore power, generator, inverter or battery. All power sources must be disabled and secured before performing any service.

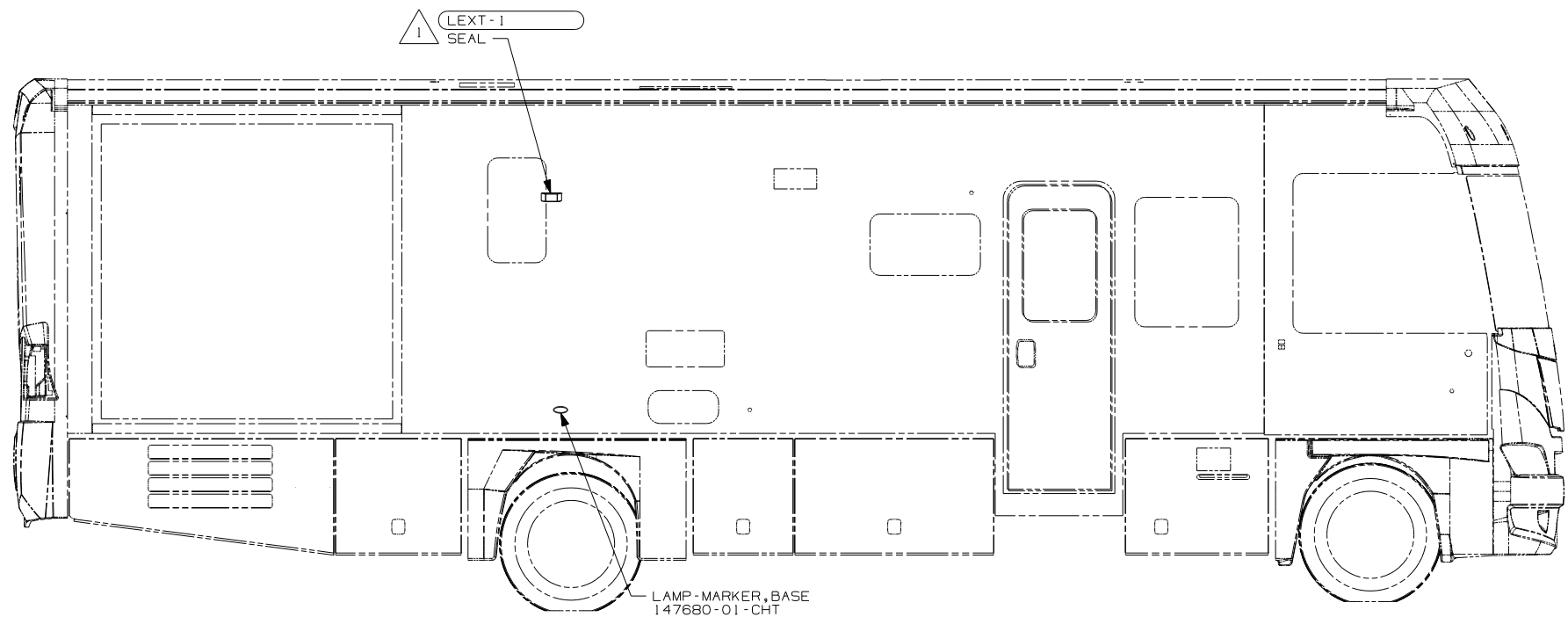


CAUTION

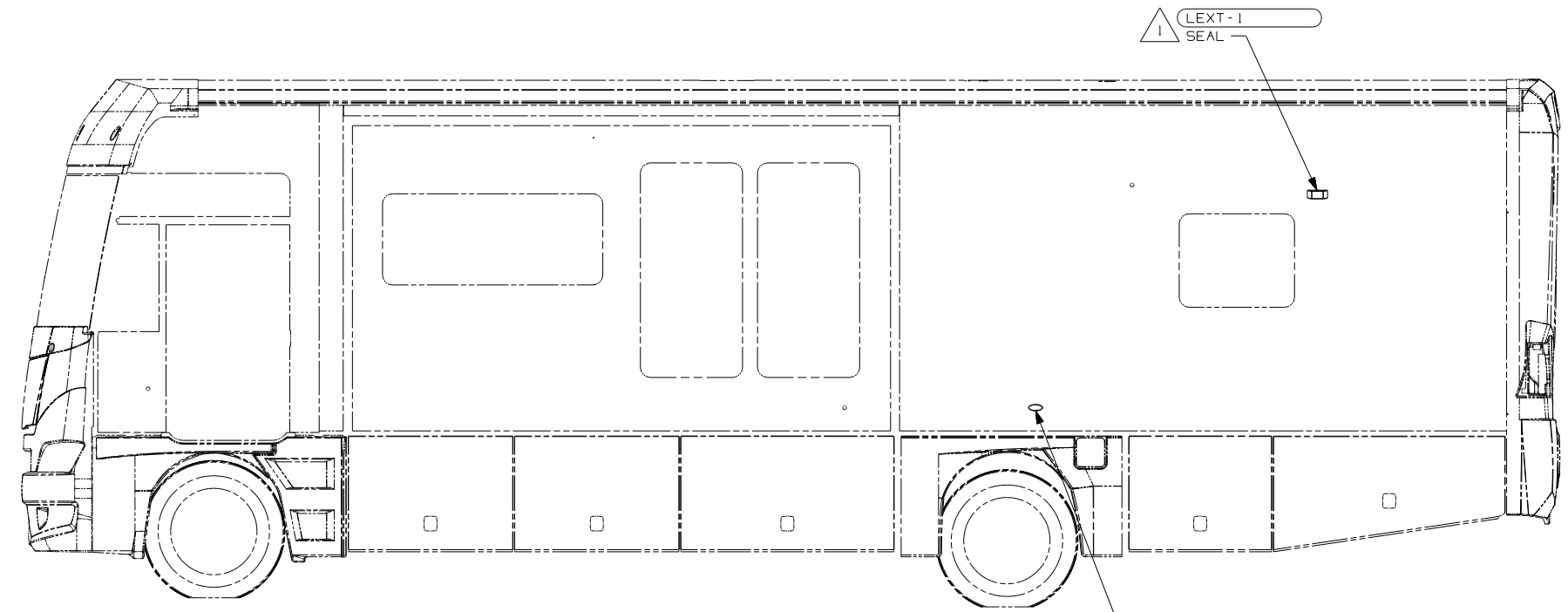
If you lack the skills, tools or equipment to perform diagnostic or repair work leave such work to an authorized Winnebago Industries dealer or other qualified shop.

DRAWING NO.	FEATURE
161826-01	(WIN)
161826-02	(ITA)

RELEASE	REV DATE	DWG NO
A		161826
REV ZONE	REVISION RECORD	DATE DFR-ORIG



LAMP-MARKER, BASE
 147680-01-CHT
 LAMP-MARKER, LENS, AMBER
 147680-02-CHT
 SCREW
 G11-08-12U (EXT) (2)



LAMP-MARKER, BASE
 147680-01-CHT
 LAMP-MARKER, LENS, AMBER
 147680-02-CHT
 SCREW
 G11-08-12U (EXT) (2)

- (ITA) ITASCA ONLY
 - (WIN) WINNEBAGO ONLY
 - (265) CODES/STANDARDS-CSA/CMVSS
 - (1B1) CODES/STANDARDS USA
- (1B1) (265)

WINNEBAGO COPYRIGHT 2006 WINNEBAGO INDUSTRIES, INC.

DFTR	ORIG. DATE
CHKR	ALL DIMENSIONS ARE IN MILLIMETERS
P.E.	
M.E.	FIRST USED
DSNR	08 G-SERIES

UNSPECIFIED TOLERANCES ARE: MATERIAL:

WHOLE DIM (X)	: 3
ONE-PLACE (X.X)	: 1.5
TWO-PLACE (X.XX)	: 0.50
ANGLE	: 1°

THIRD ANGLE PROJECTION

DO NOT SCALE DRAWING

TITLE: WIRING INSTL-EXTERIOR LAMPS

SHEET 1 of 5 PART NO 161826 REV

REF: 1 10/8/2007

NOTES:
 1 NOT USED ON SHELLS.

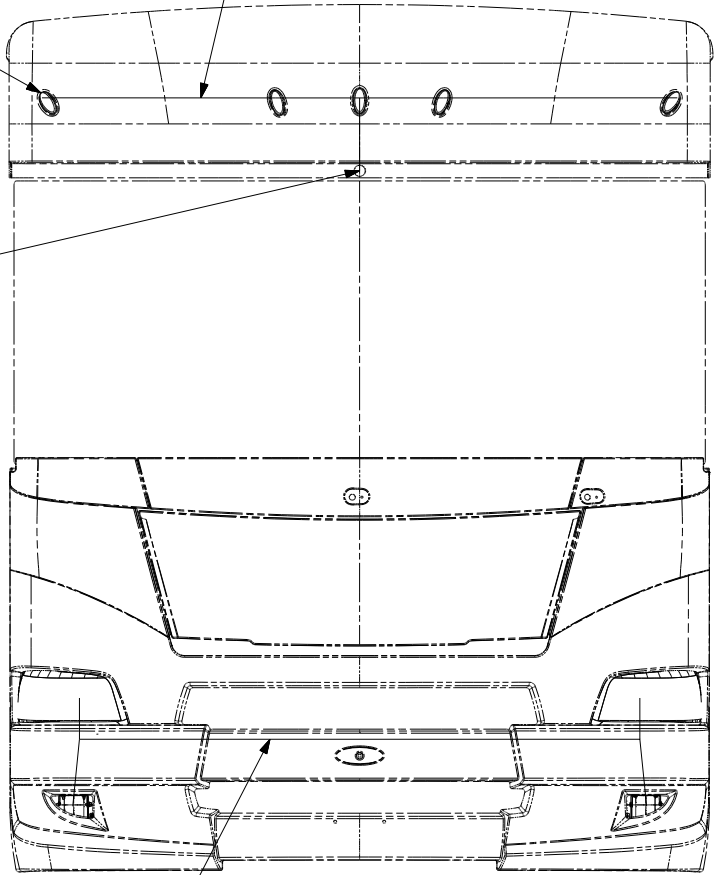
FOR ELECTRICAL TORQUE SPECIFICATIONS SEE DWG NO. 128783-01-000

(X-X) FOR ELECTRICAL CALLOUTS SEE DWG NO. 121339-01-000

LAMP ASM-MARKER, BASE
147680-01-CHT (5)
LAMP ASM-MARKER, LENS, AMBER
147680-02-CHT (5)
SCREW
G39-08-08T (EXT) (10)

WIRE ASM-CLEARANCE LAMPS
129943-01-000

2 PIN HOUSING TO
WIRE ASM-IP, MAIN



WIN I6L WIRE ASM-HEADLAMP, FD
41678-11-000
WIRE ASM-HEADLAMP, FD
41678-12-000
ITA I6L WIRE ASM-HEADLAMP, WH
41678-13-000
WIN IPS IPV WIRE ASM-HEADLAMP, WH
41678-14-000
ITA IPS IPV WIRE ASM-HEADLAMP, WH
41678-14-000

LAMP ASM-STOP/
TR/TAIL/BU LH
154206-02-000
154206-04-000
SOCKET-LAMP
112709-02-000
SOCKET-LAMP
112709-03-000
BULB
112707-01-000
BULB
112708-01-000
BRACKET ASM-
TAILLAMP, LAMP, LH
152628-04-CHT
BOLT
C12-04-10U (3)
SCREW
G39-08-12U (2)

LAMP-LICENSE PLATE
87201-01-000 (2)
SCREW
G11-06-12U (EXT) (4)

2 PIN HOUSING
TO WIRE ASM-CHASSIS

CONNECTOR-TRAILER
157593-01-000
SCREW
101618-01-000 (4)

LAMP ASM-MARKER, BASE
147680-01-CHT (5)
LAMP ASM-MARKER, LENS, RED
147680-03-CHT (5)
SCREW
G11-08-08B (EXT) (10)

LIGHT-THIRD BRAKE, LED
151076-01-000 (2)
SCREW
G39-06-16T (4)

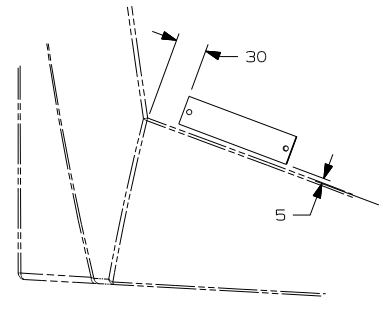
WIRE ASM-TAILLAMPS
141695-05-000 I6L
141695-06-000 IPS IPV

LAMP ASM-STOP/
TR/TAIL/BU RH
154206-01-000
154206-03-000
SOCKET-LAMP
112709-02-000
SOCKET-LAMP
112709-03-000
BULB
112707-01-000
BULB
112708-01-000
BRACKET ASM-
TAILLAMP, LAMP, RH
152628-02-CHT
BOLT
C12-04-10U (3)
SCREW
G39-08-12U (2)

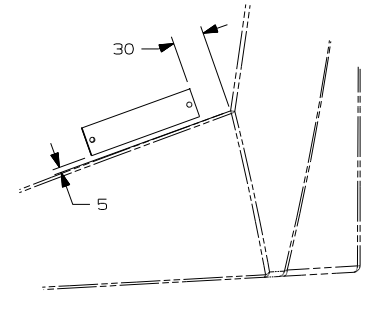
REFLECTOR-RED
166850-01-000 (2)
SCREW
G39-08-12T (4) ITA

- (57M) LAMPS-FOG
- (240) TRAILER HITCH
- (IPS) WORKHORSE 22,000#-22.5 TIRE
- (IPV) WORKHORSE 24,000#-22.5 TIRE
- (I6L) FORD 22,000#-22.5 AL WHL
- (ITA) ITASCA ONLY
- (WIN) WINNEBAGO ONLY
- (265) CODES/STANDARDS-CSA/CMVSS
- (IB1) CODES/STANDARDS USA

- 5 REMOVE PAPER BACKING FROM REFLECTOR AND PREP APPLICATION SURFACE WITH ISOPROPYL ALCOHOL WIPE BEFORE INSTALLATION.
- 4 CONNECTOR-PLUG, TRAILER 146246-01-000 TO BE SUPPLIED LOOSE IN COACH WITH (240)
3. SECURE WIRE ASM APPROX. EVERY 450MM TO BATTERY CABLES AND BRACKETS. USE TIE-WIRE 8343-01-000 OR 93147-01-000 AS APPROPRIATE.
2. CLEAN PAINT OFF METAL (BOLT) BEFORE CONNECTING GROUND TO INSURE CONTACT. ALSO MOUNT CHASSIS SUPPLIED HORN TO GROUND BOLT.
1. GATHER ALL EXCESS WIRE AFTER MAKING ALL CONNECTIONS AND BUNDLE AND SECURE WITH TIE-WIRE 8343-01-000 OR 93147-01-000.



DETAIL BB

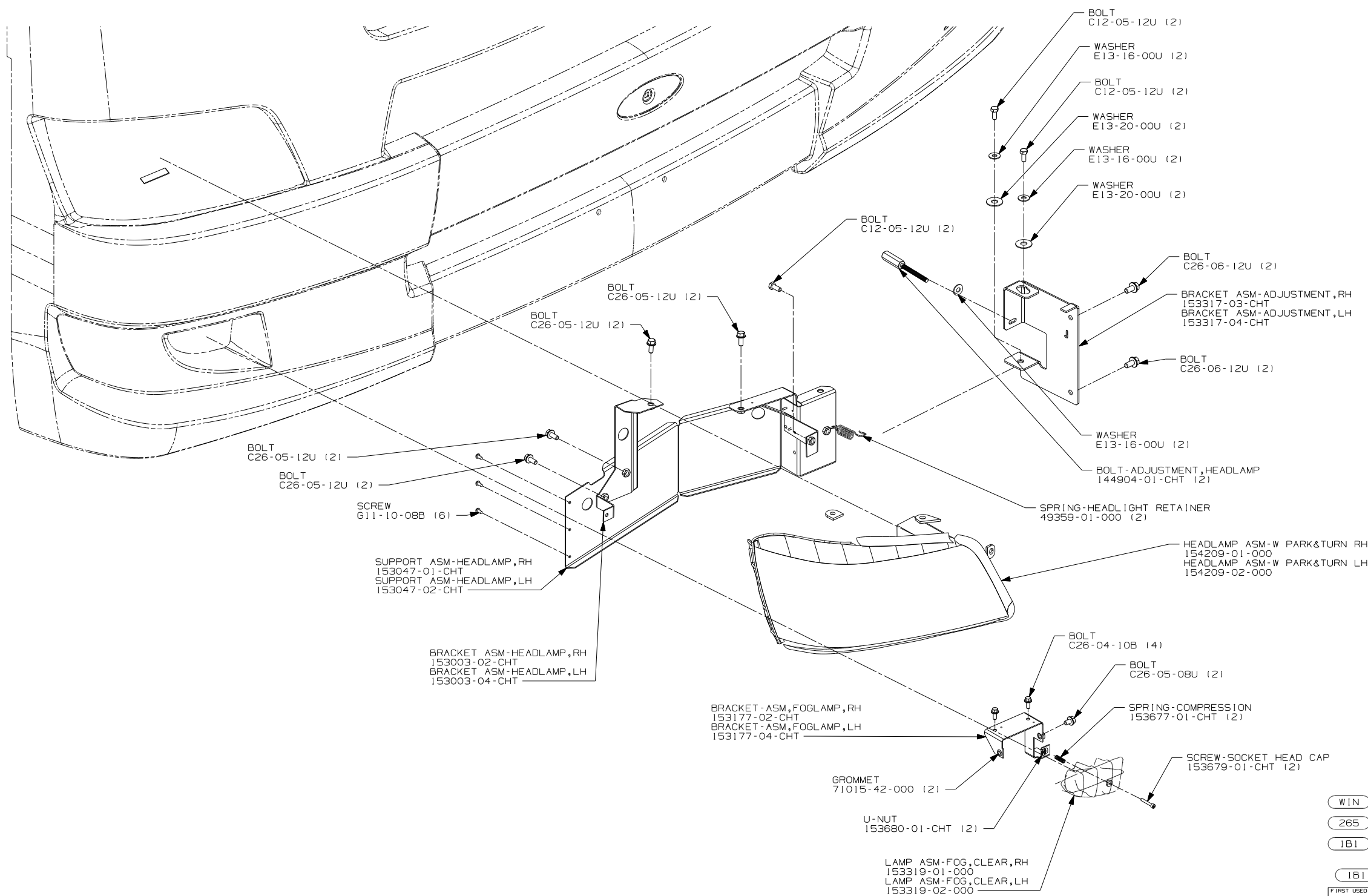


DETAIL BA

FOR ELECTRICAL
TORQUE
SPECIFICATIONS
SEE DWG NO.
128783-01-000

(X-X)
FOR ELECTRICAL
CALLOUTS
SEE DWG NO.
121339-01-000

FIRST USED		
08 G-SERIES		
DO NOT SCALE DRAWING		
TITLE: WIRING INSTL-EXTERIOR LAMPS		
SHEET 2	PART NO	REV
	161826	

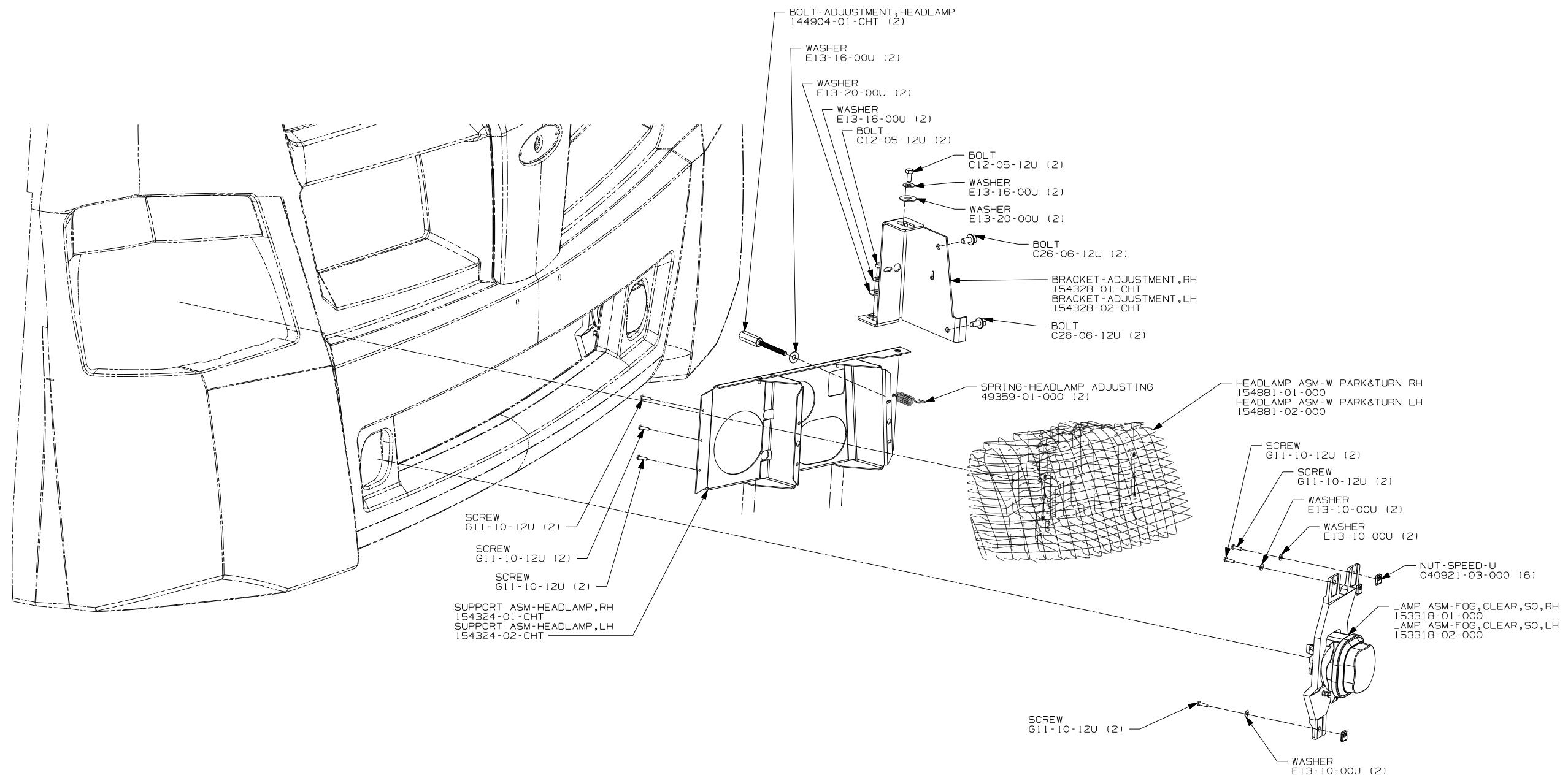


FOR ELECTRICAL TORQUE SPECIFICATIONS SEE DWG NO. 128783-01-000

FOR ELECTRICAL CALLOUTS SEE DWG NO. 121339-01-000

- (WIN) WINNEBAGO ONLY
- (265) CODES/STANDARDS-CSA/CMVSS
- (1B1) CODES/STANDARDS USA

FIRST USED	
08 G-SERIES	
DO NOT SCALE DRAWING	
TITLE:	
WIRING INSTL-EXTERIOR LAMPS	
SHEET 3	PART NO 161826 REV



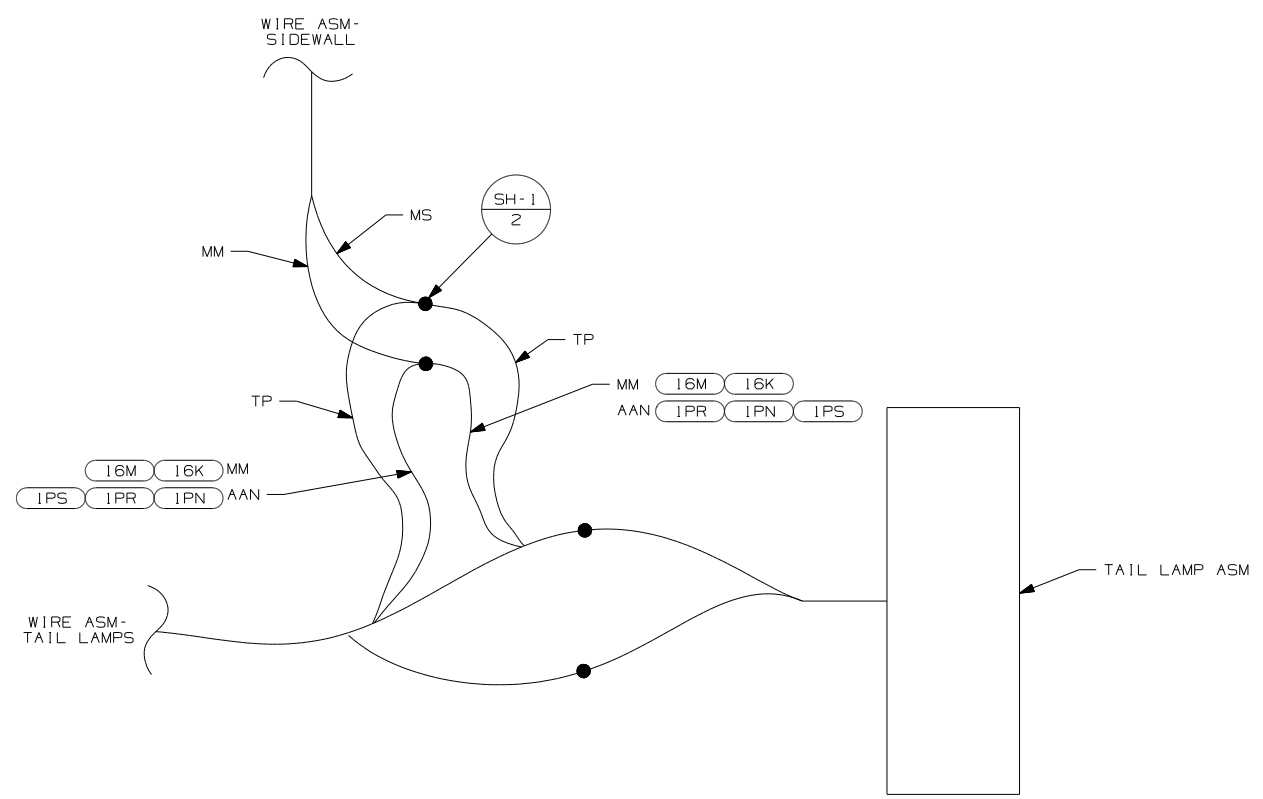
ITA ITASCA ONLY
 265 CODES/STANDARDS-CSA/CMVSS
 1B1 CODES/STANDARDS USA

1B1 265 ITA

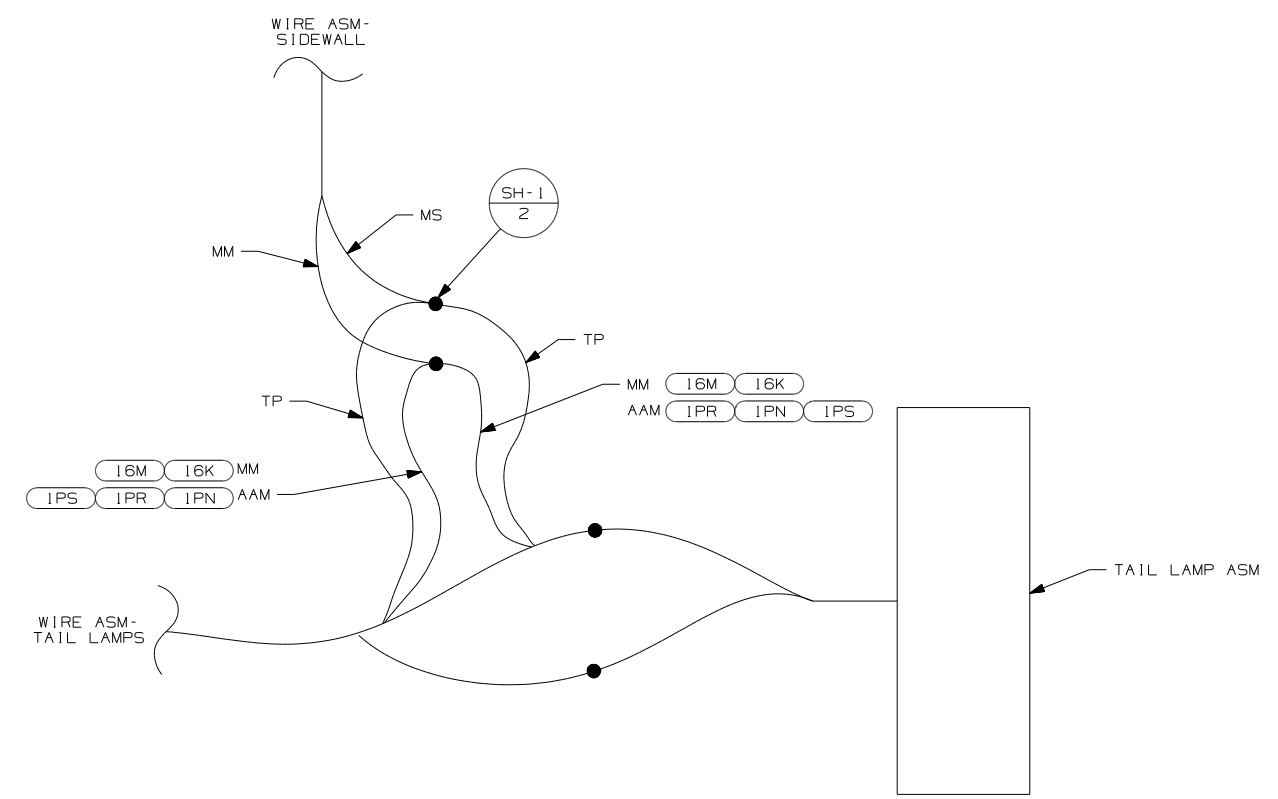
FIRST USED	
08 G-SERIES	
DO NOT SCALE DRAWING	
TITLE:	
WIRING INSTL-EXTERIOR LAMPS	
SHEET 4	PART NO 161826 REV

FOR ELECTRICAL TORQUE SPECIFICATIONS SEE DWG NO. 128783-01-000

X-X FOR ELECTRICAL CALLOUTS SEE DWG NO. 121339-01-000

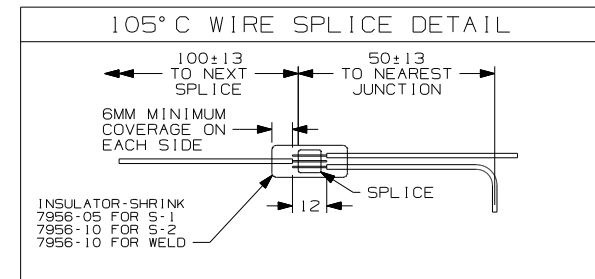


DETAIL EA (SHELLS ONLY) 1



DETAIL EB (SHELLS ONLY) 1

- 1PS WORKHORSE 22,000# - 22.5 TIRE
- 1PR WORKHORSE 22,000# - 19.5 TIRE
- 1PN WORKHORSE 20,700#
- 16M FORD CHASSIS 20,500#/V10 ENG
- 16K FORD CHASSIS 22,000
- 265 CODES/STANDARDS-CSA/CMVSS
- 1B1 CODES/STANDARDS USA



X-X FOR ELECTRICAL CALLOUTS SEE DWG NO. 121339-01-000

1 CUT AND RECONNECT AS SHOWN. NOTES:

FIRST USED	08 G-SERIES	
TITLE:	DO NOT SCALE DRAWING	
TITLE:	WIRING INSTL-EXTERIOR LAMPS	
SHEET 5	PART NO	161826
	REV	1