

FRONT
OF
COACH

9. SECURE PIPES TO FLOOR USING BRACKET 136878-01-CHT (3) CLAMP 62401-02-000 (3) AND SCREW G67-10-12B (3).
8. SECURE PIPES TO CABINET USING WIRE TIE 108046-02-000 AND SCREW G67-10-12U (8).
7. SEE DWG 61607-01-000 FOR INSTL OF GROMMET.
6. VENT PIPE MUST PROJECT 51 MIN AND 64 MAX ABOVE ROOF FOR PROPER FIT AND FUNCTION.
5. SEAL AROUND SHOWER WITH SILICONE.
4. ALL EXTERIOR OPENINGS AROUND PIPE TO BE SEALED WITH 110744-01-000.
3. ALL PIPE AND FITTINGS TO BE ASSEMBLED WITH SOLVENT 4020-01-000.
2. SLOPE OF TRAP ARM MUST BE 6 PER 305 mm.
1. SLOPE OF HORIZONTAL PIPING TO BE MIN 3 PER 305 mm.

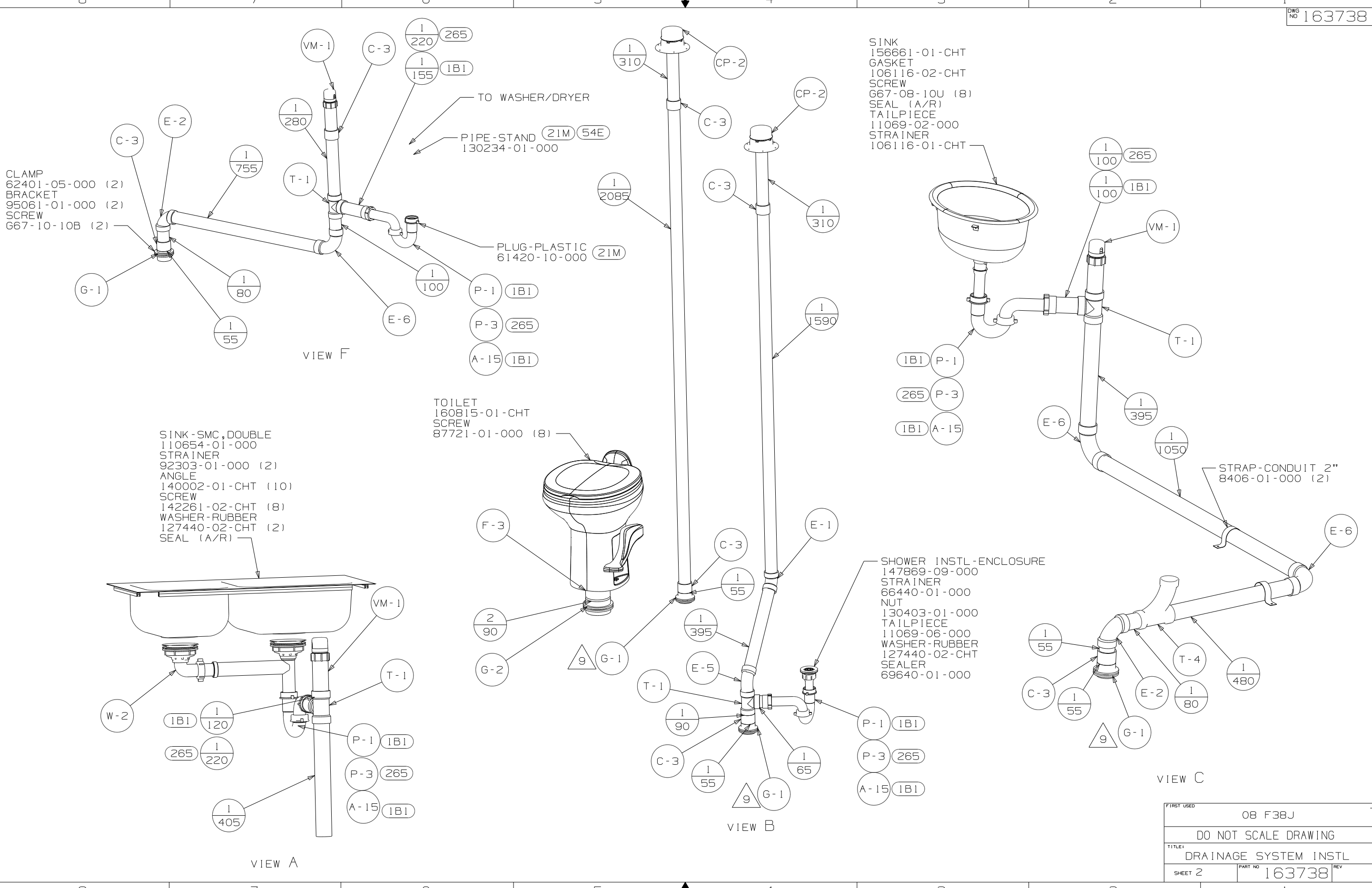
NOTES:

- (54E) WASHER/DRYER
- (21M) WASHER/DRYER PREP
- (1B1) CODES/STANDARDS USA
- (265) CODES/STDS-CSA/CMVSS

WINNEBAGO		COPYRIGHT 2008 WINNEBAGO INDUSTRIES, INC.	
DFT	ORIG. DATE	ALL DIMENSIONS ARE IN MILLIMETERS	
CHKR		FIRST USED	
P.E.		08 F38J	
M.E.		UNSPECIFIED TOLERANCES ARE:	
DSNR		MATERIAL:	
		WHOLE DIM (X)	: 5
		ONE-PLACE (X.X)	:
		TWO-PLACE (X.XX)	:
		ANGLE	:
		THIRD ANGLE PROJECTION	⊕
DO NOT SCALE DRAWING			
TITLE: DRAINAGE SYSTEM INSTL			
SHEET 1 OF 3	PART NO	163738	REV

FOR
DRAINAGE
CALLOUTS
SEE DWG NO
116229-01-000





CLAMP
62401-05-000 (2)
BRACKET
95061-01-000 (2)
SCREW
G67-10-10B (2)

SINK - SMC, DOUBLE
110654-01-000
STRAINER
92303-01-000 (2)
ANGLE
140002-01-CHT (10)
SCREW
142261-02-CHT (8)
WASHER - RUBBER
127440-02-CHT (2)
SEAL (A/R)

TOILET
160815-01-CHT
SCREW
87721-01-000 (8)

SINK
156661-01-CHT
GASKET
106116-02-CHT
SCREW
G67-08-10U (8)
SEAL (A/R)
TAILPIECE
11069-02-000
STRAINER
106116-01-CHT

SHOWER INSTL - ENCLOSURE
147869-09-000
STRAINER
66440-01-000
NUT
130403-01-000
TAILPIECE
11069-06-000
WASHER - RUBBER
127440-02-CHT
SEALER
69640-01-000

VIEW F

VIEW A

VIEW B

VIEW C

CLAMP
62401-05-000 (2)
BRACKET
95061-01-000 (2)
SCREW
G67-10-10B (2)

SINK - SMC, DOUBLE
110654-01-000
STRAINER
92303-01-000 (2)
ANGLE
140002-01-CHT (10)
SCREW
142261-02-CHT (8)
WASHER - RUBBER
127440-02-CHT (2)
SEAL (A/R)

TOILET
160815-01-CHT
SCREW
87721-01-000 (8)

SINK
156661-01-CHT
GASKET
106116-02-CHT
SCREW
G67-08-10U (8)
SEAL (A/R)
TAILPIECE
11069-02-000
STRAINER
106116-01-CHT

SHOWER INSTL - ENCLOSURE
147869-09-000
STRAINER
66440-01-000
NUT
130403-01-000
TAILPIECE
11069-06-000
WASHER - RUBBER
127440-02-CHT
SEALER
69640-01-000

VIEW F

VIEW A

VIEW B

VIEW C

FIRST USED	08 F38J		
TITLE	DO NOT SCALE DRAWING		
	DRAINAGE SYSTEM INSTL		
SHEET 2	PART NO	163738	REV

BRACKET-HOLDING TANK
126796-05-CHT

PLATFORM-HOLDING TANK
126714-19-000

PLATFORM-HOLDING TANK
126714-32-000

PLATFORM-HOLDING TANK
126714-18-000

BRACKET-ANGLE, W/HOLES
94756-02-CHT (4)

HOLDER RING
141443-01-CHT

FRONT AXLE

VEHICLE

1222

700

DATUM

VIEW D

TANK-HOLDING, 46 GAL
148496-02-000

TANK-HOLDING, 53 GAL
128776-08-000

N-3

C-2

2
265

E-13

2
80

V-11

H-1

VALVE
144728-01-000
CLAMP-HOSE
62401-09-000
LABEL-DRIP VALVE
147845-01-CHT

2
190

E-13

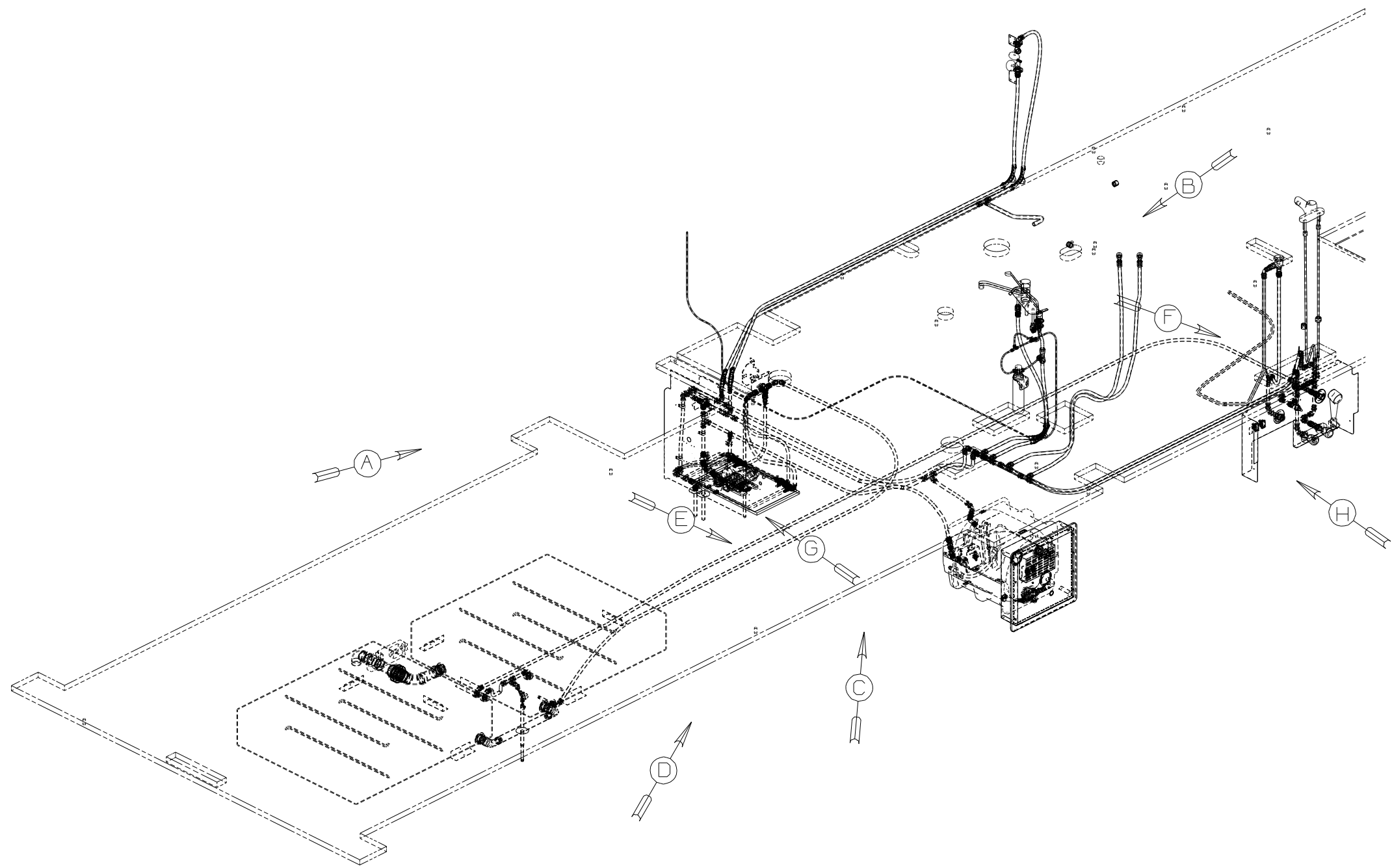
2
415

C-2

N-3

VIEW E

FIRST USED	08 F38J		
TITLE	DO NOT SCALE DRAWING DRAINAGE SYSTEM INSTL		
SHEET 3	PART NO	163738	REV



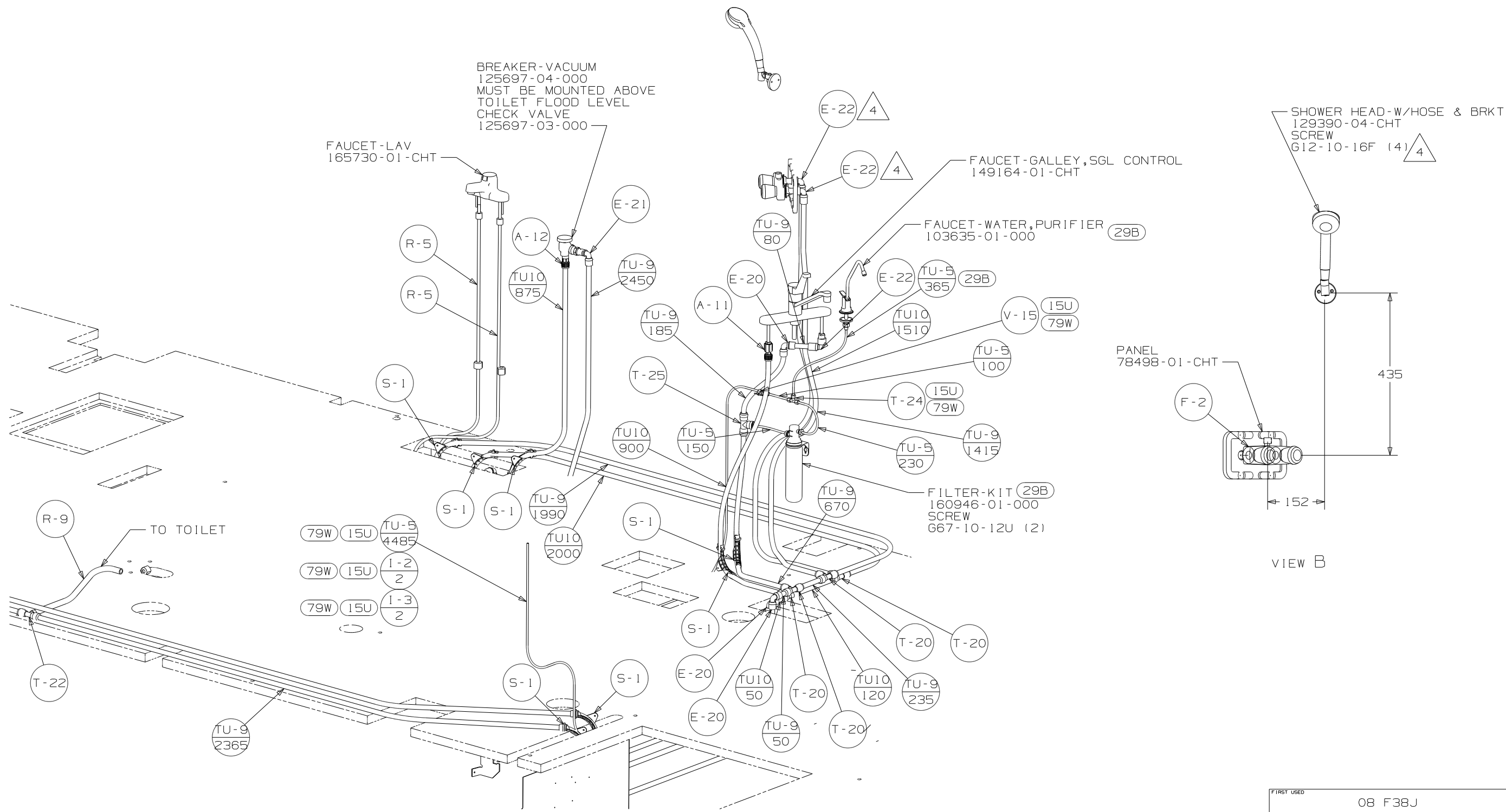
- (1B2) WTR HTR-10 GAL/ELEC/LP/MTR AID
- (611) WTR HTR-AUX AUTO/MOTORAID
- (29B) WATER PURIFIER
- (54E) WASHER/DRYER
- (79W) REFRIGERATOR-4 DOOR
- (15U) REFRIGERATOR/FRZR W/ICEMAKER

- NOTES:
1. PLASTIC FITTINGS TO BE SEALED WITH SEALANT 84456-01-000.
 2. TUBING TO BE INSTALLED WITH SUFFICIENT SLOPE TO PROVIDE DRAINAGE TO NEAREST VALVE.
 3. ALL TUBING TO BE SECURED AT 1200 INTERVALS MAXIMUM WITH CLAMP 10495-01-000 AND SCREW G67-10-12B OR EQUIVALENT.

4. ADD TEFLON TAPE 10405-01-000.
5. ADD TEFLON TAPE 10405-02-000.
6. ADD TEFLON TAPE 10405-03-000.

(X-X)
FOR
WATER
CALLOUTS
SEE DWG NO
116230-01-000

WINNEBAGO		COPYRIGHT 2009 WINNEBAGO INDUSTRIES, INC.	
DFTR	ORIG. DATE		
CHKR	ALL DIMENSIONS ARE IN MILLIMETERS		
P.E.			
M.E.	FIRST USED		
DSNR	08 F38J		
UNSPECIFIED TOLERANCES ARE:		MATERIAL:	
WHOLE DIM (X)	:	3	
ONE-PLACE (X.X)	:		
TWO-PLACE (X.XX)	:		
ANGLE	:		
THIRD ANGLE PROJECTION			
DO NOT SCALE DRAWING			
TITLE: WATER SYSTEM INSTL			
SHEET 1 OF 4	PART NO	163737	
REF:	1 5/29/2009		



BREAKER-VACUUM
 125697-04-000
 MUST BE MOUNTED ABOVE
 TOILET FLOOD LEVEL
 CHECK VALVE
 125697-03-000

FAUCET-LAV
 165730-01-CHT

FAUCET-GALLEY, SGL CONTROL
 149164-01-CHT

FAUCET-WATER, PURIFIER
 103635-01-000 (29B)

SHOWER HEAD-W/HOSE & BRKT
 129390-04-CHT
 SCREW
 G12-10-16F (4) (4)

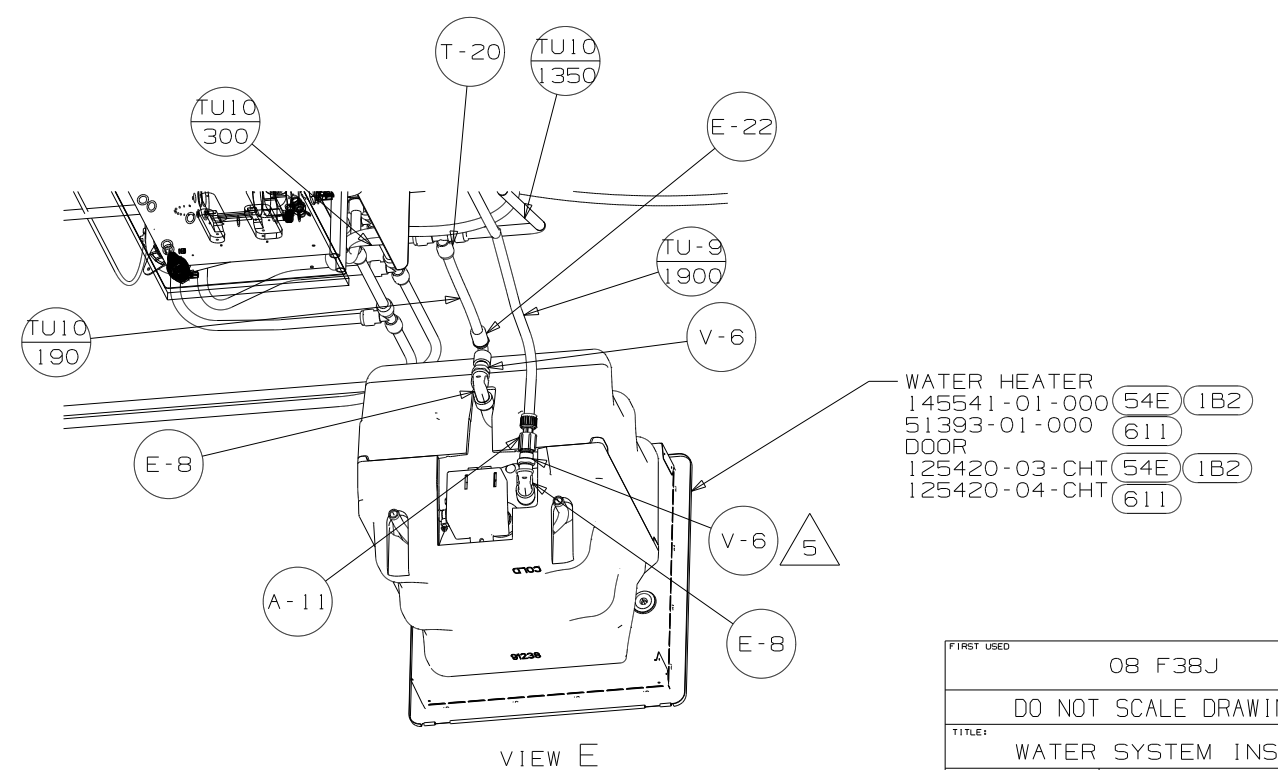
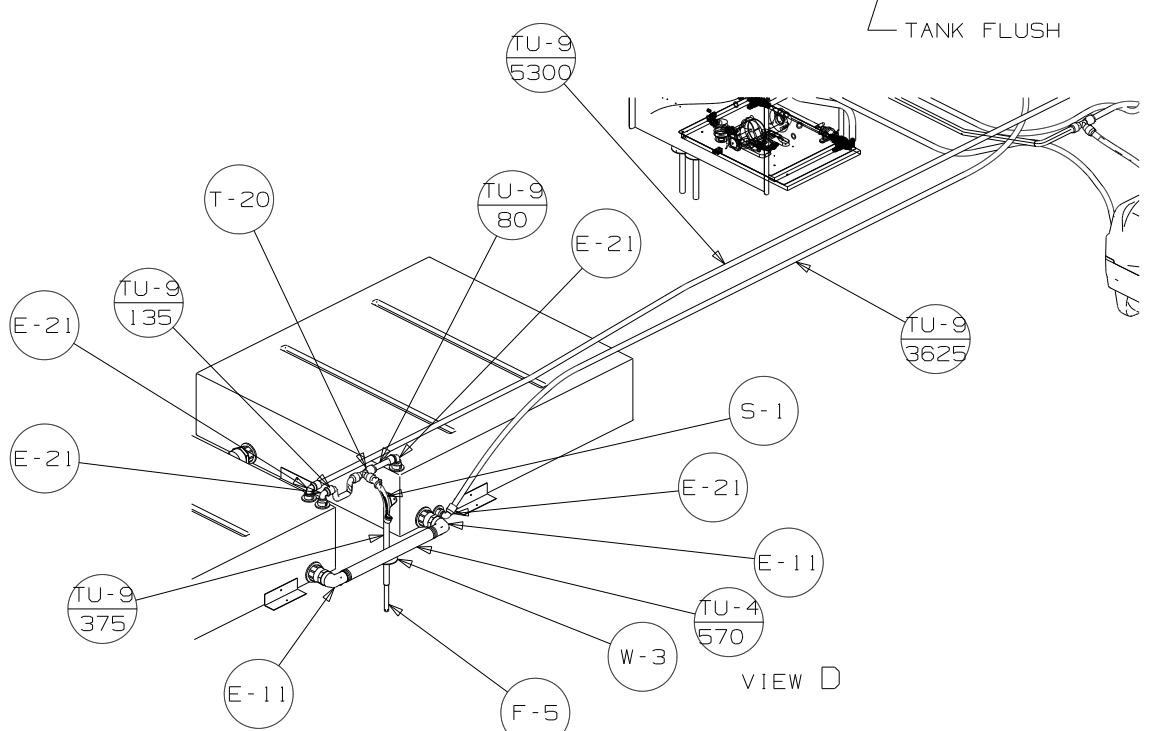
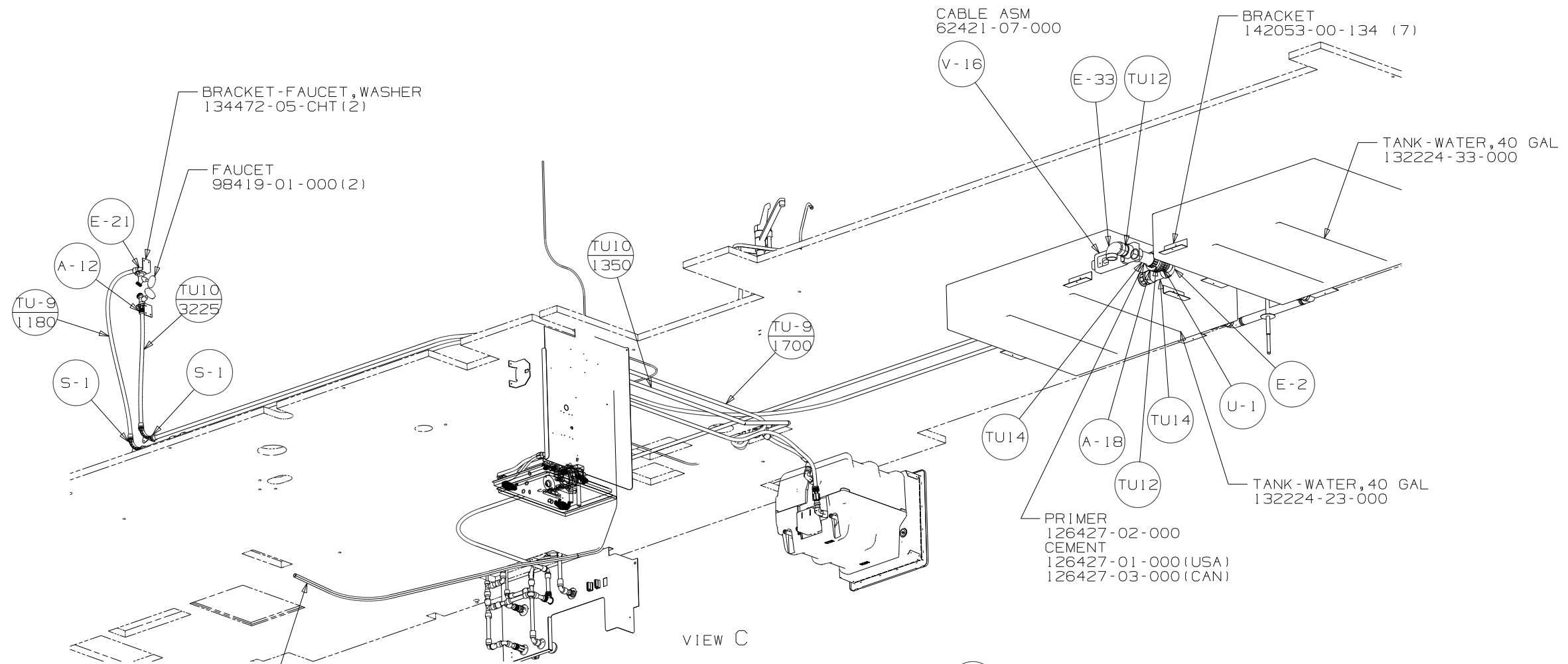
PANEL
 78498-01-CHT

FILTER-KIT (29B)
 160946-01-000
 SCREW
 G67-10-12U (2)

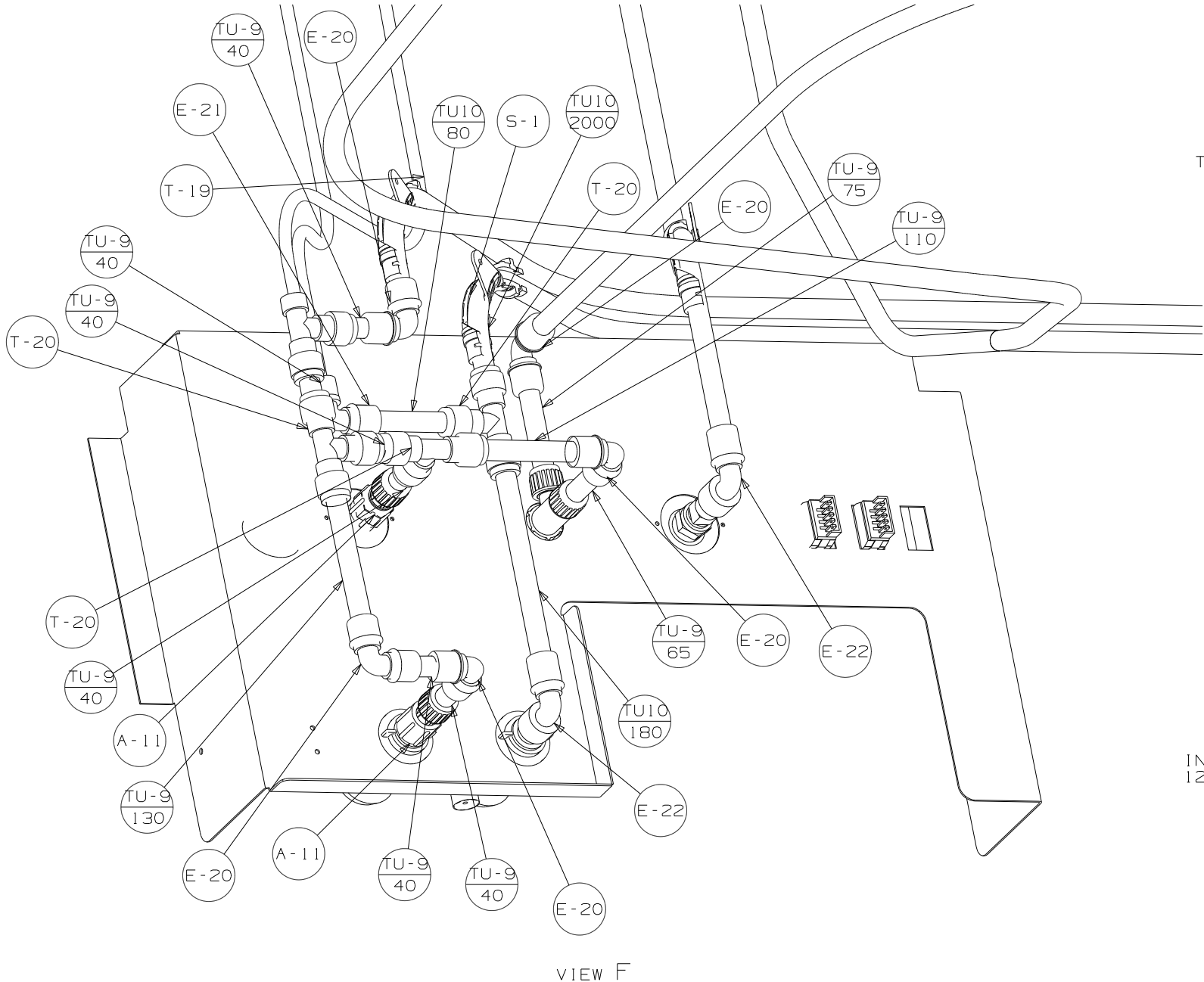
VIEW A

VIEW B

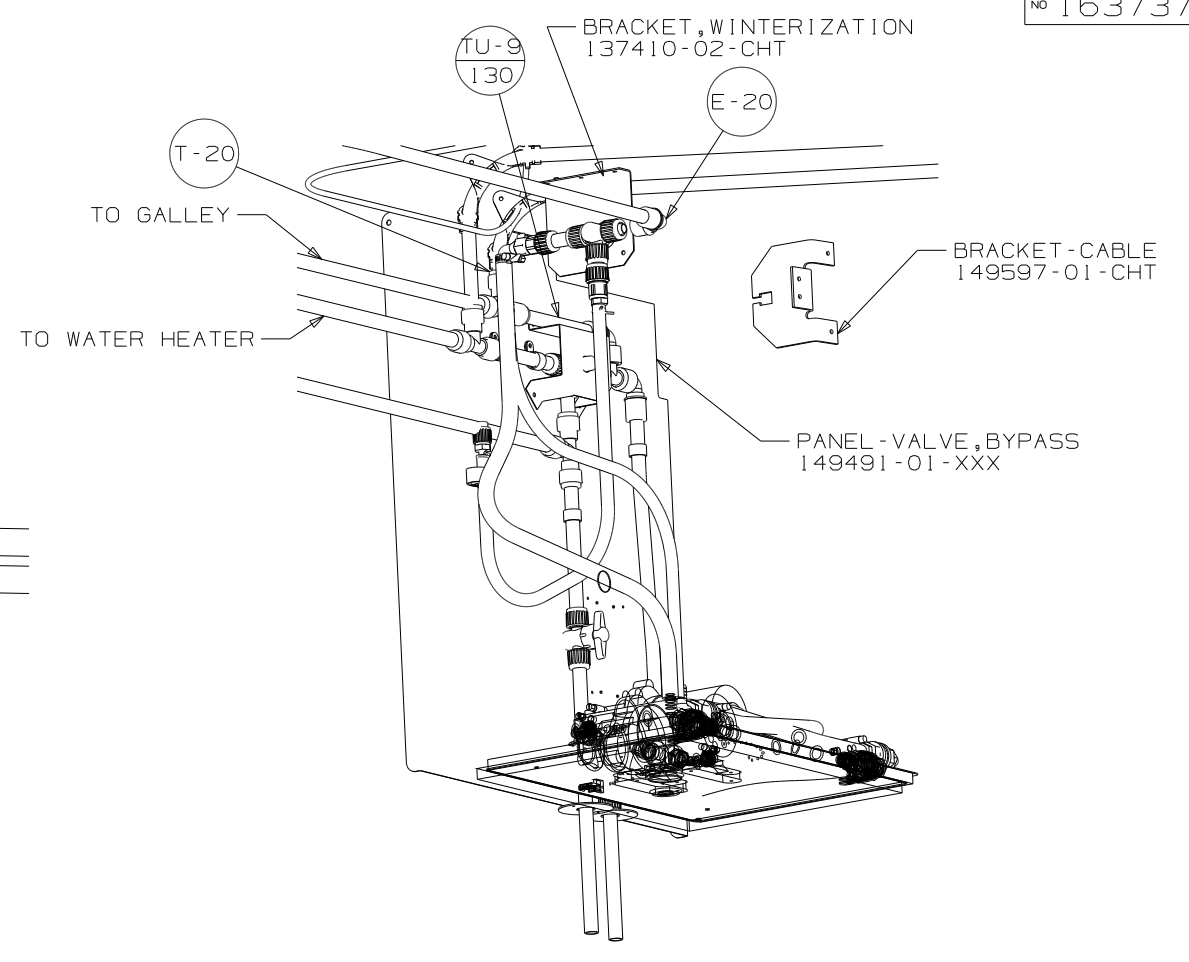
FIRST USED	08 F38J
TITLE	DO NOT SCALE DRAWING
SHEET 2	PART NO 163737 REV



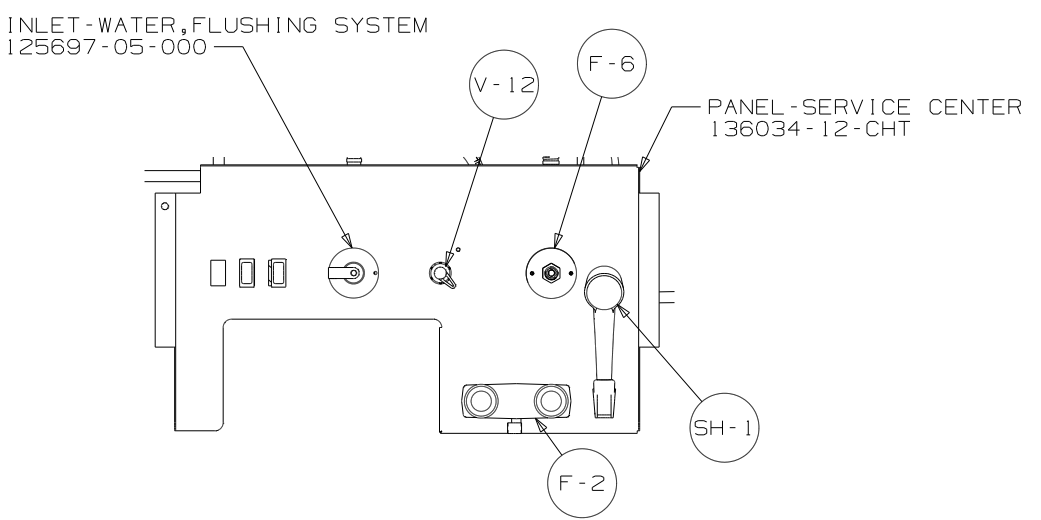
FIRST USED	08 F38J		
TITLE	DO NOT SCALE DRAWING		
TITLE	WATER SYSTEM INSTL		
SHEET 3	PART NO	163737	REV



VIEW F



VIEW G



VIEW H

FIRST USED	08 F38J		
TITLE	DO NOT SCALE DRAWING		
TITLE	WATER SYSTEM INSTL		
SHEET 4	PART NO	163737	
1 5/29/2009			