

FRONT
OF
COACH

- (21M) WASHER/DRYER PREP
- (54E) WASHER/DRYER
- (1B1) CODES/STANDARDS USA
- (265) CODES/STDS-CSA/CMVSS
- (44X) BED-QUEEN SIDEWALL
- (23C) BED-KING SIDEWALL

- NOTES:
9. SECURE PIPES TO FLOOR USING BRACKET 136878-01-CHT (3) CLAMP 62401-02-000 (3) AND SCREW G67-10-12B (3).
 8. SECURE PIPES TO CABINET USING WIRE TIE 108046-02-000 AND SCREW G67-10-12U (8).
 7. SEE DWG 61607-01-000 FOR INSTL OF GROMMET.
 6. VENT PIPE MUST PROJECT 51 MIN AND 64 MAX ABOVE ROOF FOR PROPER FIT AND FUNCTION.
 5. SEAL AROUND SHOWER WITH SILICONE.
 4. ALL EXTERIOR OPENINGS AROUND PIPE TO BE SEALED WITH 110744-01-000.
 3. ALL PIPE AND FITTINGS TO BE ASSEMBLED WITH SOLVENT 4020-01-000 (US) 4020-02 (CAN).
 2. SLOPE OF TRAP ARM MUST BE 6 PER 305 mm.
 1. SLOPE OF HORIZONTAL PIPING TO BE MIN 3 PER 305 mm.

(X-X)
FOR
DRAINAGE
CALLOUTS
SEE DWG NO
116229-01-000

WINNEBAGO		COPYRIGHT 2008 WINNEBAGO INDUSTRIES, INC.	
DFTR	ORIG. DATE	ALL DIMENSIONS ARE IN MILLIMETERS	
CHKR		FIRST USED	
P.E.		08 F35L	
M.E.		UNSPECIFIED TOLERANCES ARE:	
DSNR		MATERIAL:	
		WHOLE DIM (X)	: 5
		ONE-PLACE (X.X)	:
		TWO-PLACE (X.XX)	:
		ANGLE	:
		THIRD ANGLE PROJECTION	
DO NOT SCALE DRAWING			
TITLE: DRAINAGE SYSTEM INSTL			
SHEET 1 OF 3	PART NO	163577	REV
REF:	1 1/25/2008		

SINK-DBL
 110654-01-000
 STRAINER
 92303-01-000 (2)
 BRACKET
 140002-01-CHT (8)
 SCREW
 142261-02-CHT (20)
 SEAL (A/R)

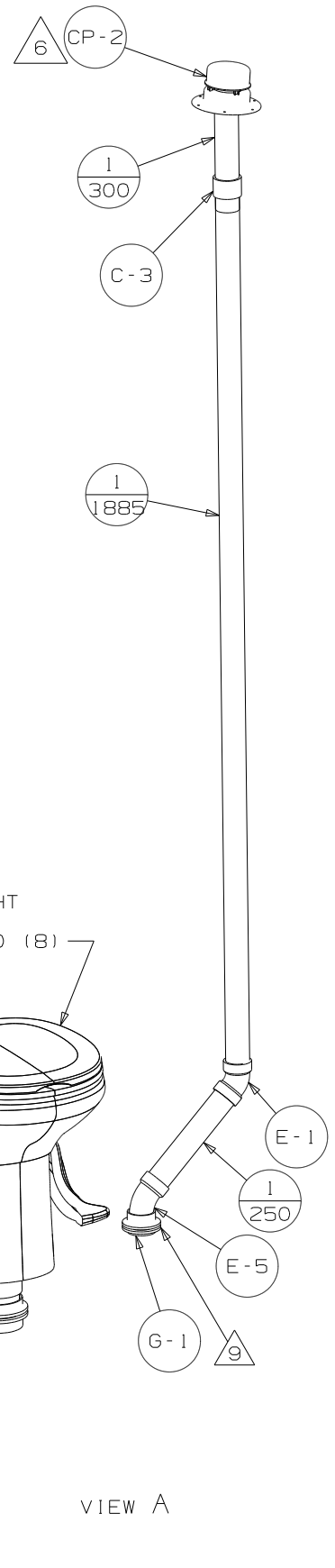
SINK
 156661-01-CHT
 SCREW
 G67-08-10U (6)
 SEAL (A/R)
 GASKET
 106116-02-CHT
 TAILPIECE
 11069-02-000
 STRAINER
 106116-01-CHT

SHOWER INSTL
 147869-10-000
 STRAINER
 66440-01-000
 RUBBER WASHER
 127440-02-CHT
 TAIL PIECE
 11069-06-000
 NUT
 130403-01-000

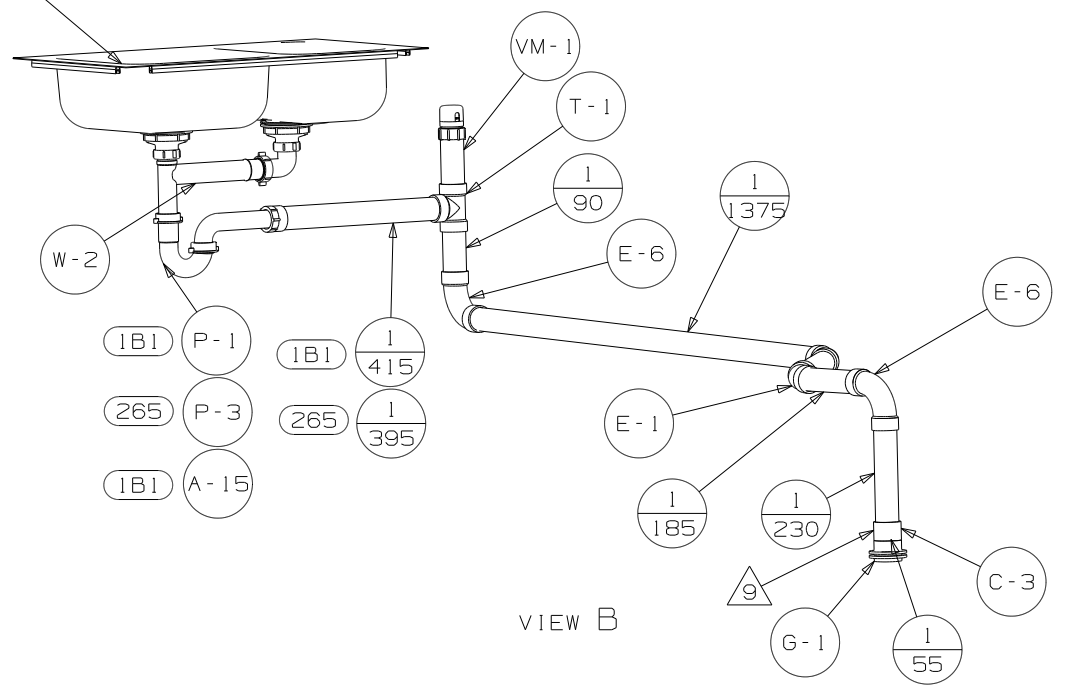
TOILET
 160815-01-CHT
 SCREW
 87721-01-000 (8)

PIPE- STAND
 130234-01-000
 PLUG-PLASTIC
 61420-10-000

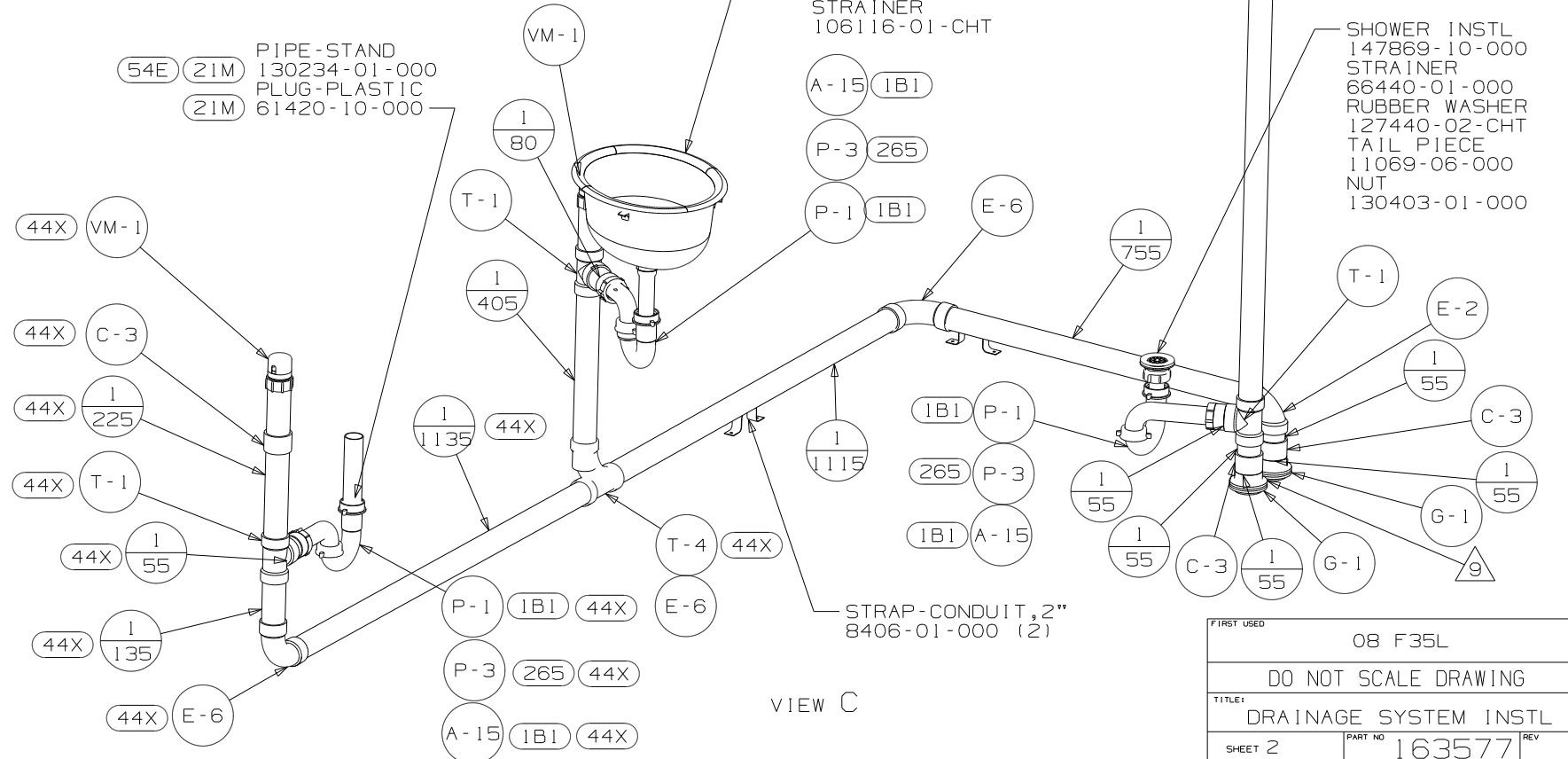
STRAP-CONDUIT, 2"
 8406-01-000 (2)



VIEW A

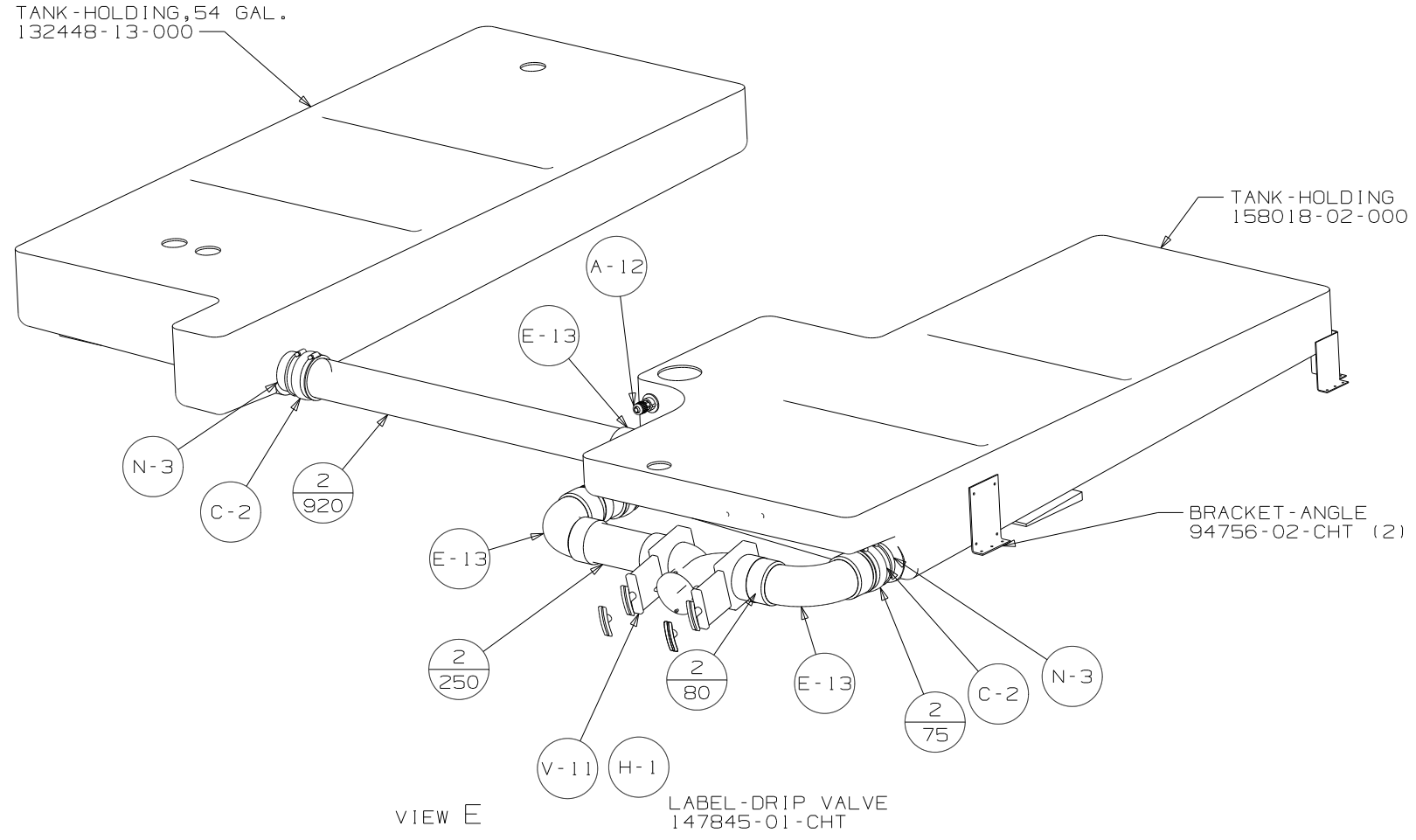
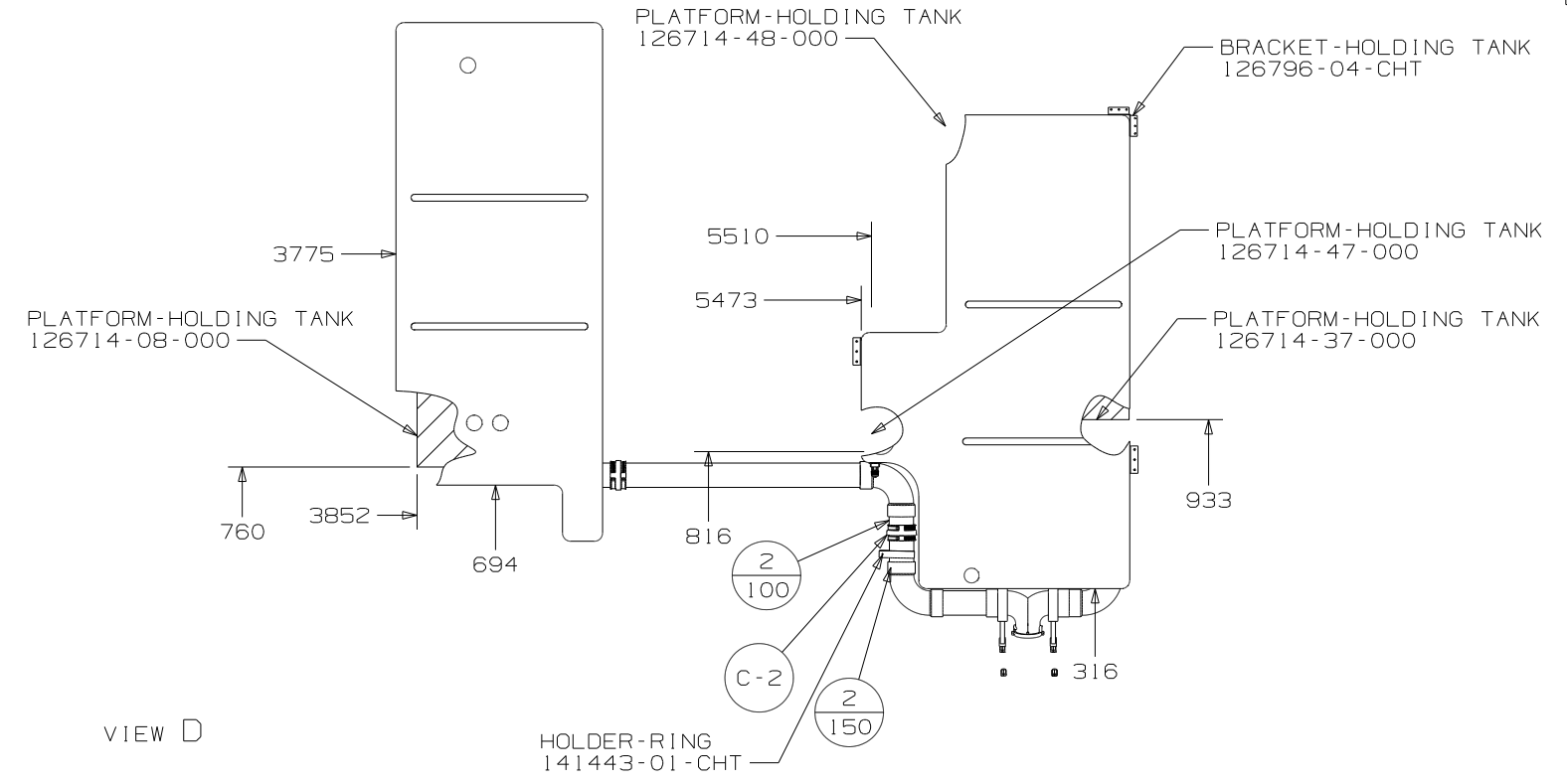
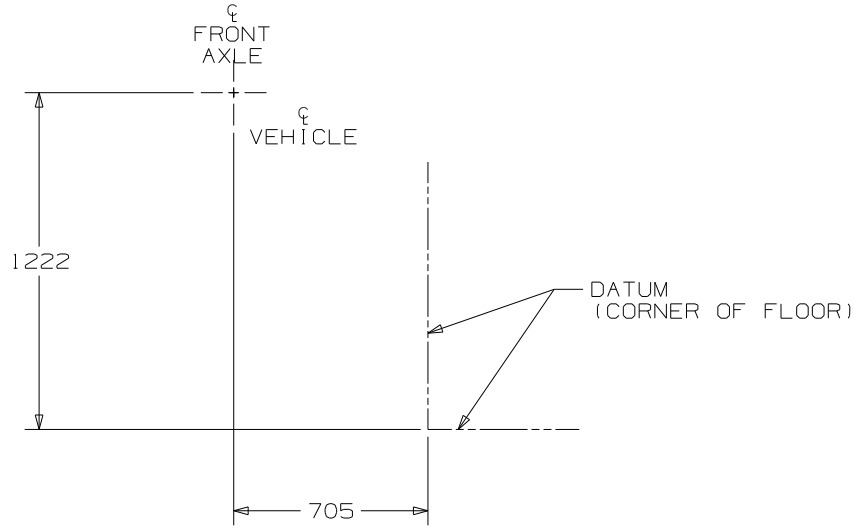


VIEW B



VIEW C

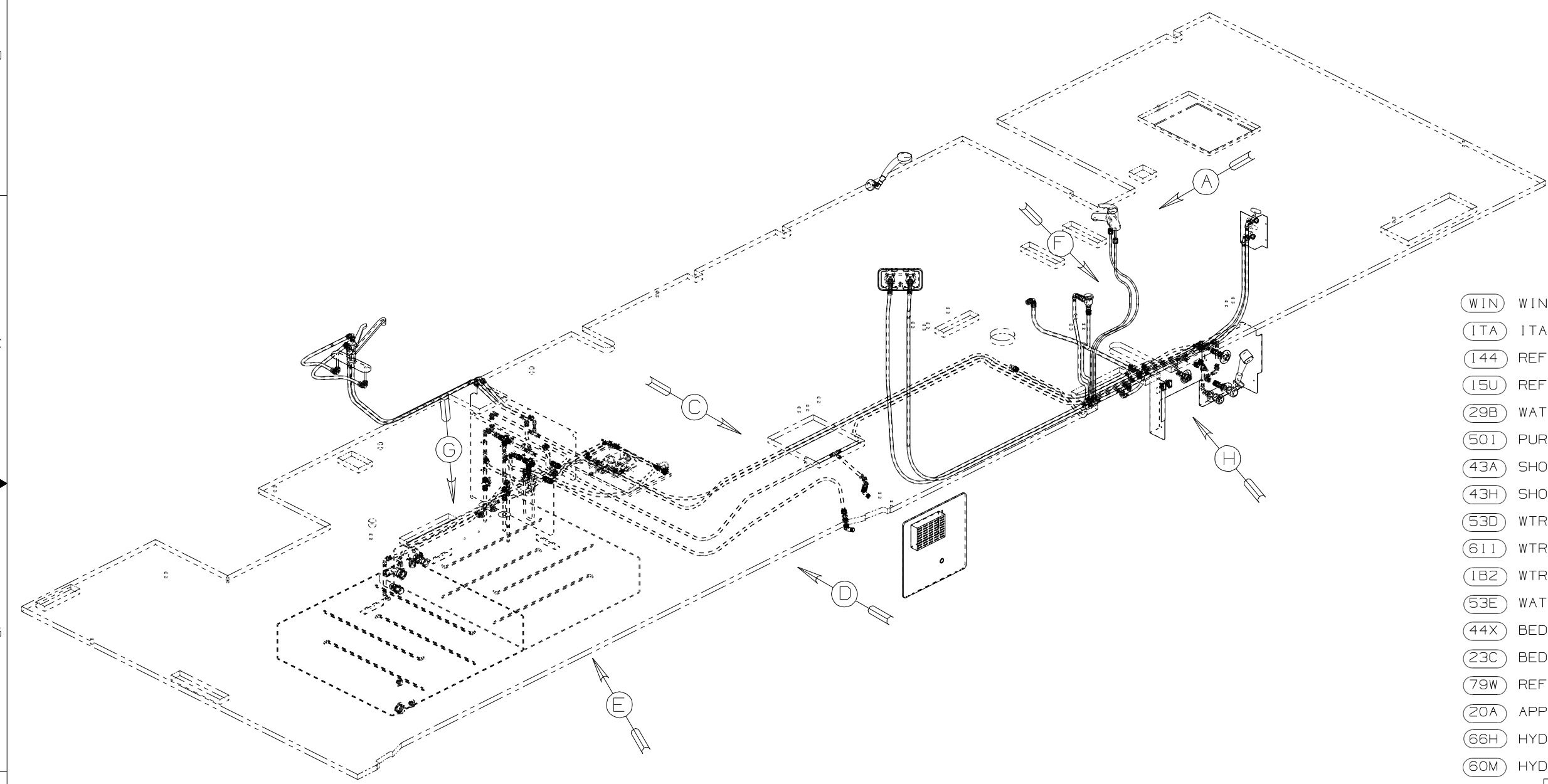
FIRST USED	08 F35L	
TITLE:	DO NOT SCALE DRAWING	
	DRAINAGE SYSTEM INSTL	
SHEET 2	PART NO	163577
	REV	



FIRST USED	08 F35L	
TITLE	DO NOT SCALE DRAWING	
	DRAINAGE SYSTEM INSTL	
SHEET 3	PART NO	163577
	REV	

DWG NO	--
163576-01	(WIN)
163576-02	(ITA)

RELEASE	REV DATE	DWG NO	163576
REV ZONE	REVISION RECORD	DATE	DFTR-ORIG
C	---	UPDATE CALLOUTS	03/21/07 5660-4124
D	---	EDIT WATER LINE CALLOUT VIEW A	04/25/07 1600-0428
E	S3	VIEW C 2000 WAS 2335, 1820 WAS 2180	5/7/07 4823-0428
	S4	VIEW E 3725 WAS 4200, VIEW G 225 WAS 275	



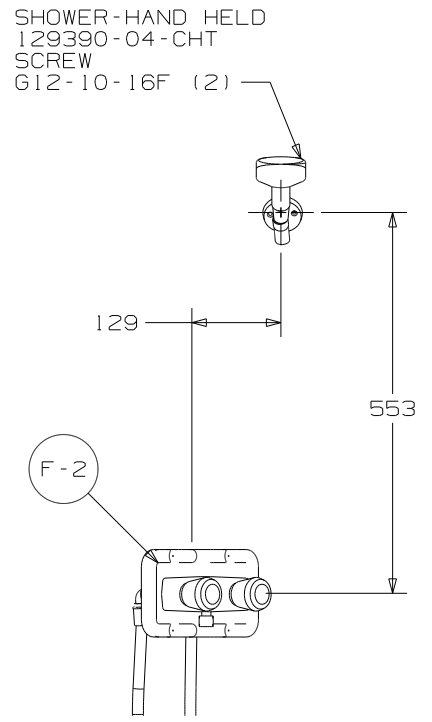
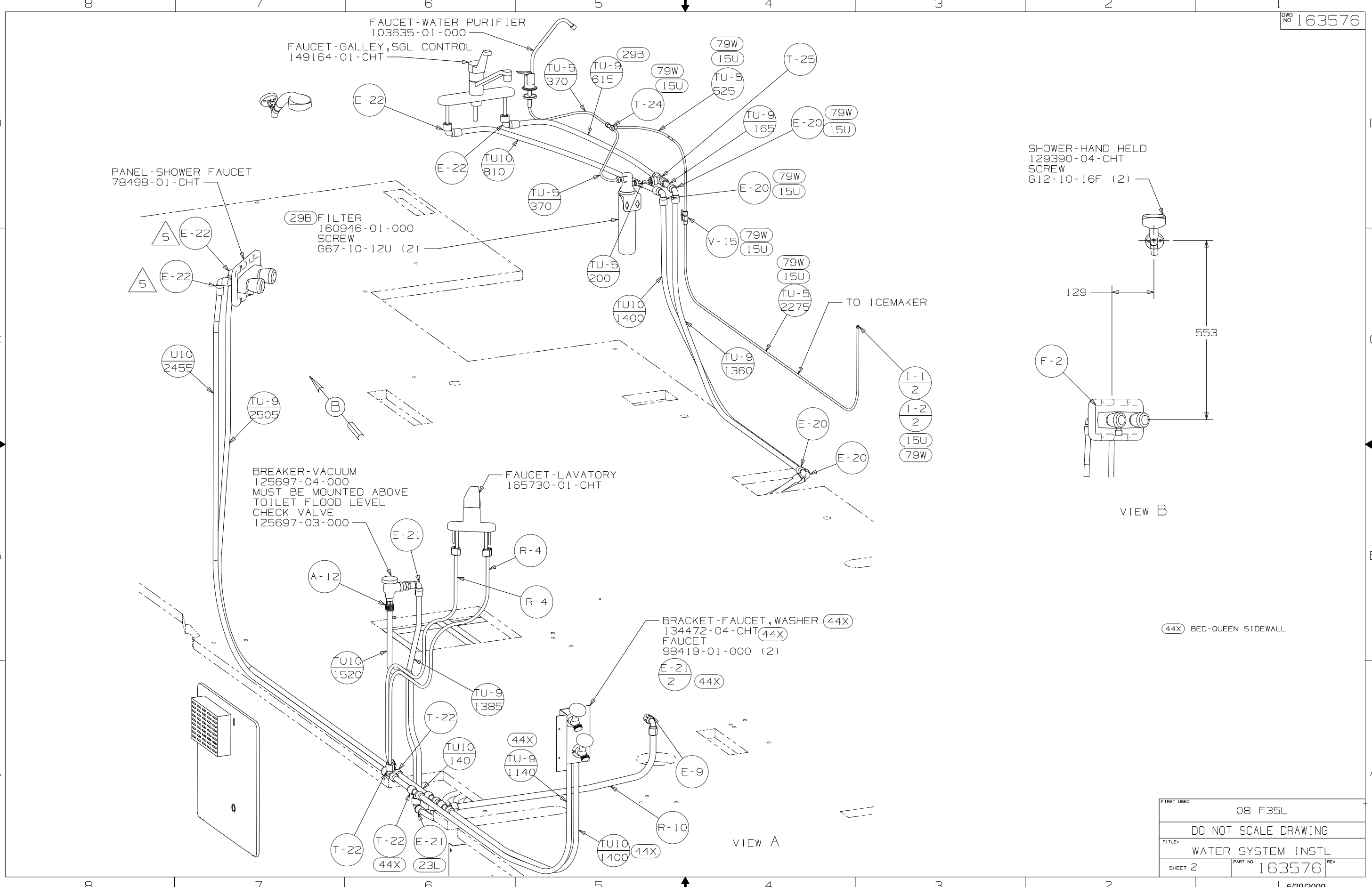
- (WIN) WINNEBAGO ONLY
- (ITA) ITASCA ONLY
- (144) REFRIGERATOR-DOUBLE DOOR
- (15U) REFRIGERATOR/FRZR W/ICEMAKER
- (29B) WATER PURIFIER
- (50I) PURIFIER W/O
- (43A) SHOWER HEAD-FIXED
- (43H) SHOWER HEAD-HAND HELD
- (53D) WTR-HTR-6/ELE/LP/MA
- (61I) WTR-HTR-AUX AUTO MA
- (1B2) WTR HTR-10GAL/E,EC/LP/MTR AID
- (53E) WATER SYS WINTERIZATION PKG
- (44X) BED-QUEEN SIDEWALL
- (23C) BED-KING OFF SIDEWALL
- (79W) REFRIGERATOR 4-DOOR
- (20A) APPLIANCE PKG STAINLES S W/O
- (66H) HYDRAULIC LEVEL JACKS-AUTO
- (60M) HYDRAULIC LEVEL JACKS

- △ 6 ADD TEFLON TAPE 10405-01-000.
 - △ 5 ADD TEFLON TAPE 10405-02-000.
 - △ 4 USED IN PLACE OF SUPPLIED SCREWS TO ATTACH BRACKET TO WALL.
3. ALL TUBING TO BE SECURED AT 1200 INTERVALS MAXIMUM WITH CLAMP 10495-01-000 AND SCREW G67-10-12B OR EQUIVALENT.
 2. TUBING TO BE INSTALLED WITH SUFFICIENT SLOPE TO PROVIDE DRAINAGE TO NEAREST VALVE.
 1. PLASTIC FITTINGS TO BE SEALED WITH SEALANT 84456-01-000.

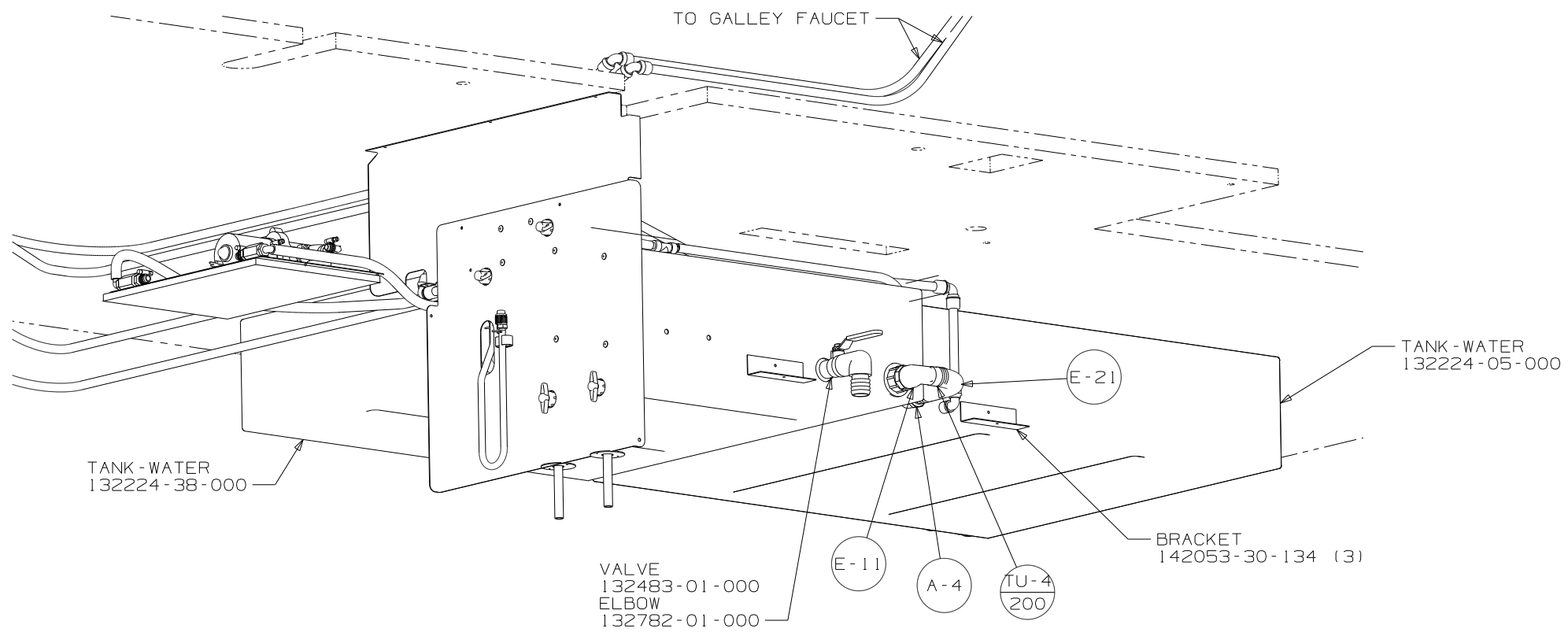
NOTES:

(X-X)
FOR
WATER
CALLOUTS
SEE DWG NO
116230-01-000

WINNEBAGO		COPYRIGHT 2009 WINNEBAGO INDUSTRIES, INC.	
DFTR	ORIG. DATE	ALL DIMENSIONS ARE IN MILLIMETERS	
CHKR		FIRST USED	
P.E.		08 F35L	
M.E.			
DSNR			
UNSPECIFIED TOLERANCES ARE:		MATERIAL:	
WHOLE DIM (X)	: 7		
ONE-PLACE (X.X)	:		
TWO-PLACE (X.XX)	:		
ANGLE	:		
THIRD ANGLE PROJECTION			
DO NOT SCALE DRAWING			
TITLE: WATER SYSTEM INSTL			
SHEET 1 OF 4	PART NO	163576	REV
REF:	1 5/29/2009		

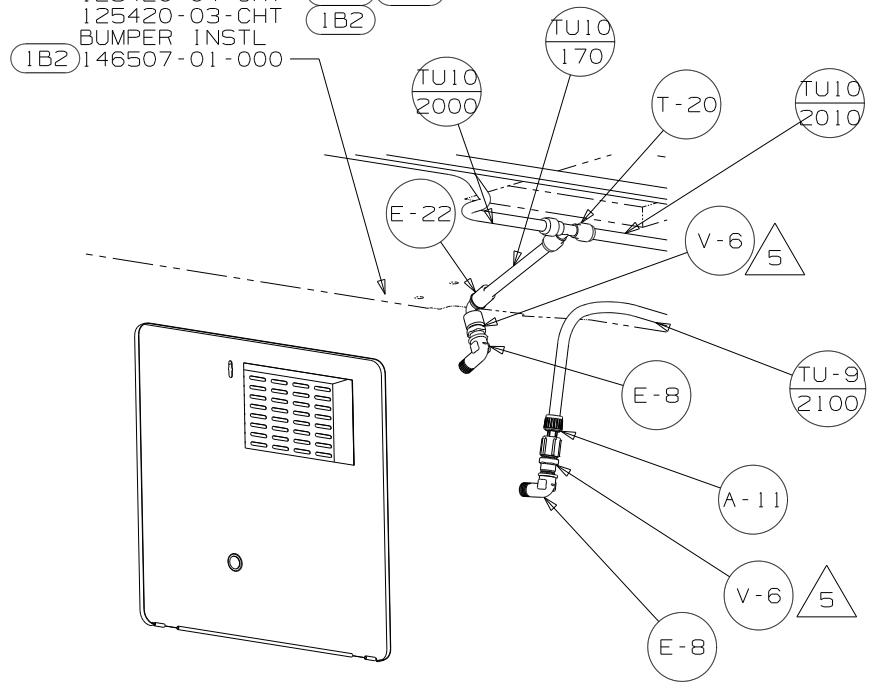


FIRST USED	08 F35L		
TITLE:	DO NOT SCALE DRAWING		
	WATER SYSTEM INSTL		
SHEET 2	PART NO	163576	REV

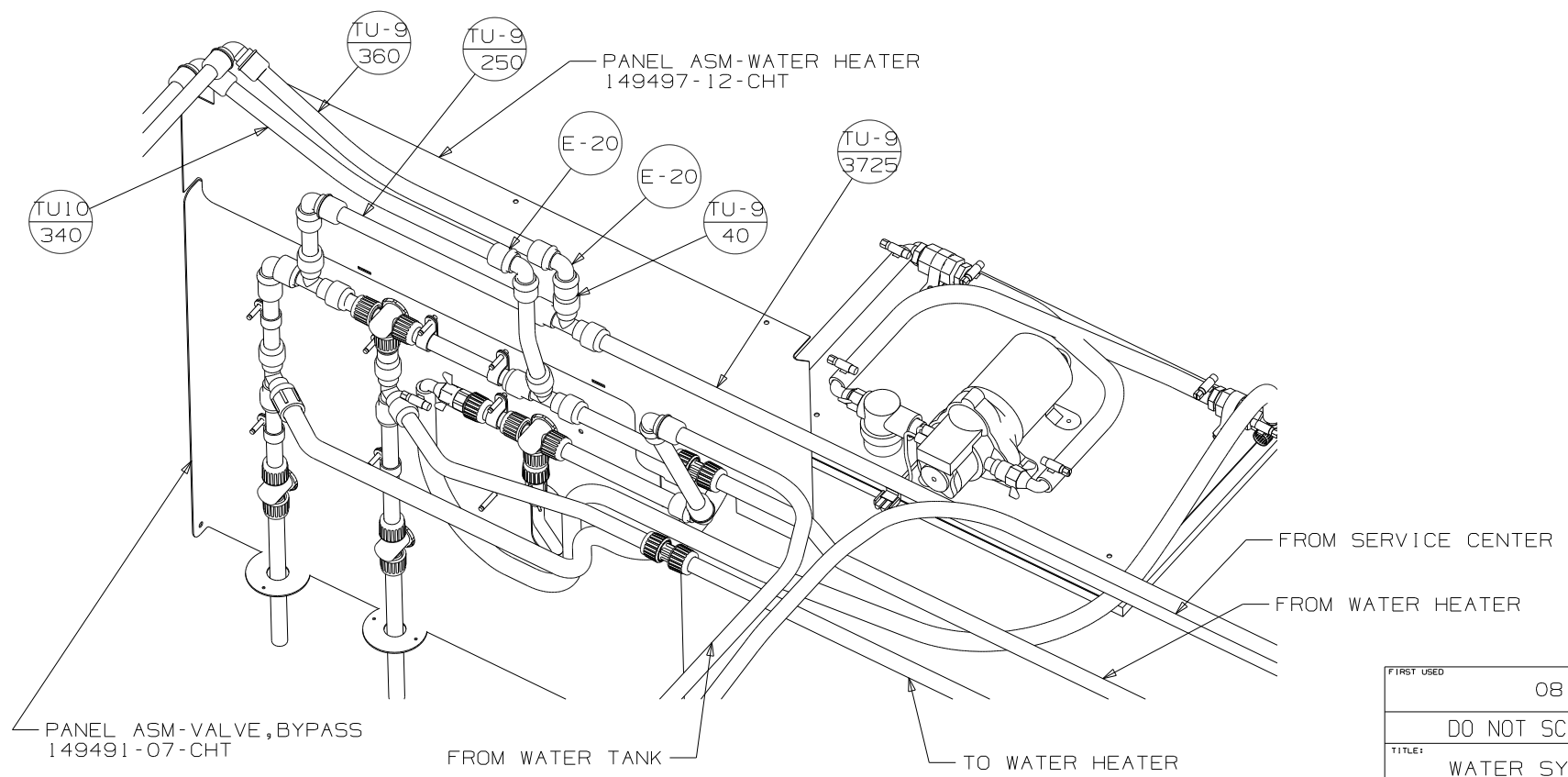


VIEW D

- WATER HEATER 145541-02-000 (53D)
- 51393-01-000 (611)
- 145541-01-000 (1B2)
- DOOR 125420-04-CHT (53D) (611)
- 125420-03-CHT (1B2)
- BUMPER INSTL 146507-01-000 (1B2)

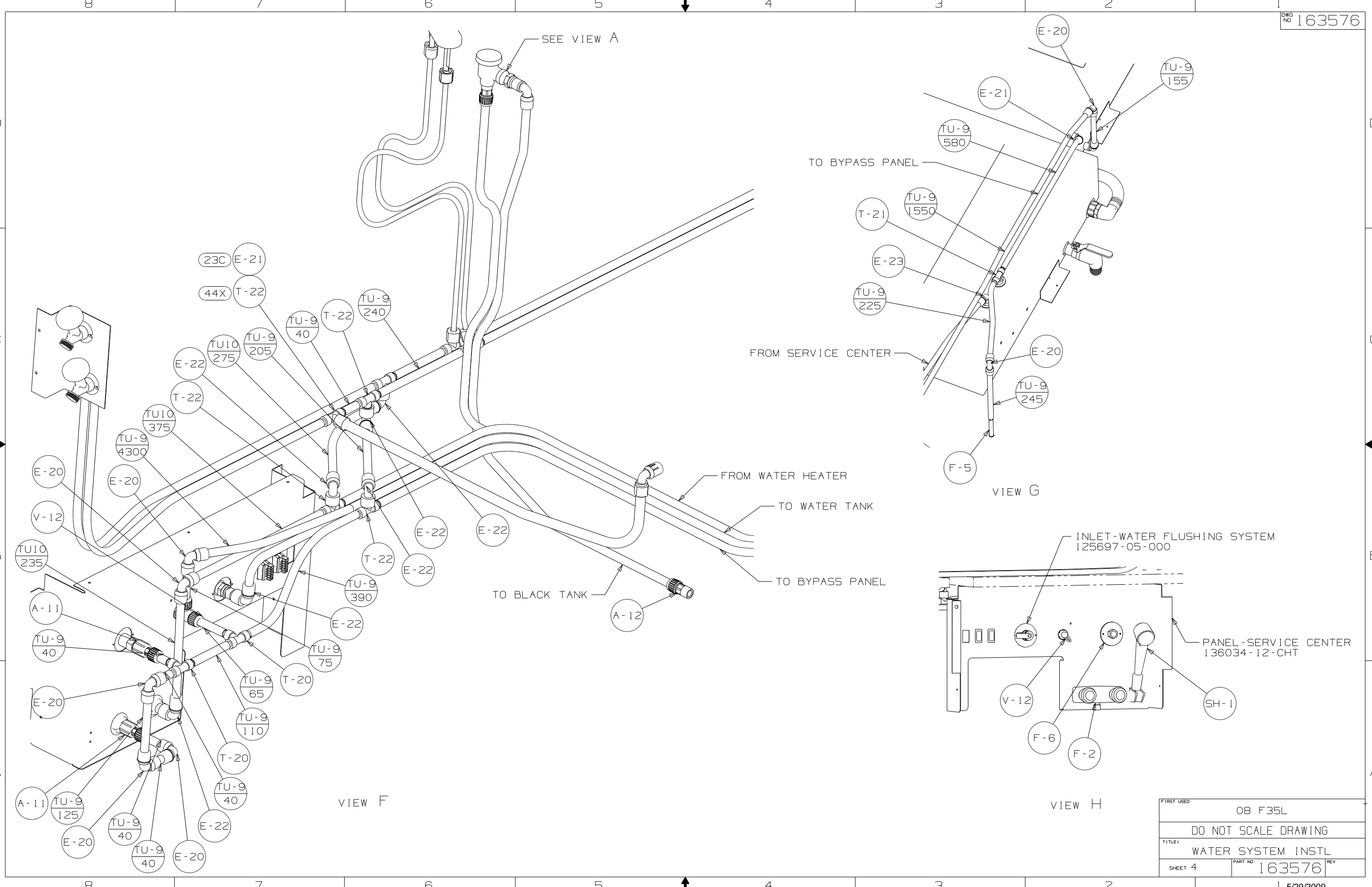


VIEW C



VIEW E

FIRST USED	08 F35L
DO NOT SCALE DRAWING	
TITLE	WATER SYSTEM INSTL
SHEET 3	PART NO 163576 REV



VIEW F

VIEW G

VIEW H

FIRST USED	08 F35L		
TITLE	DO NOT SCALE DRAWING		
	WATER SYSTEM INSTL		
SHEET 4	PART NO	163576	REV