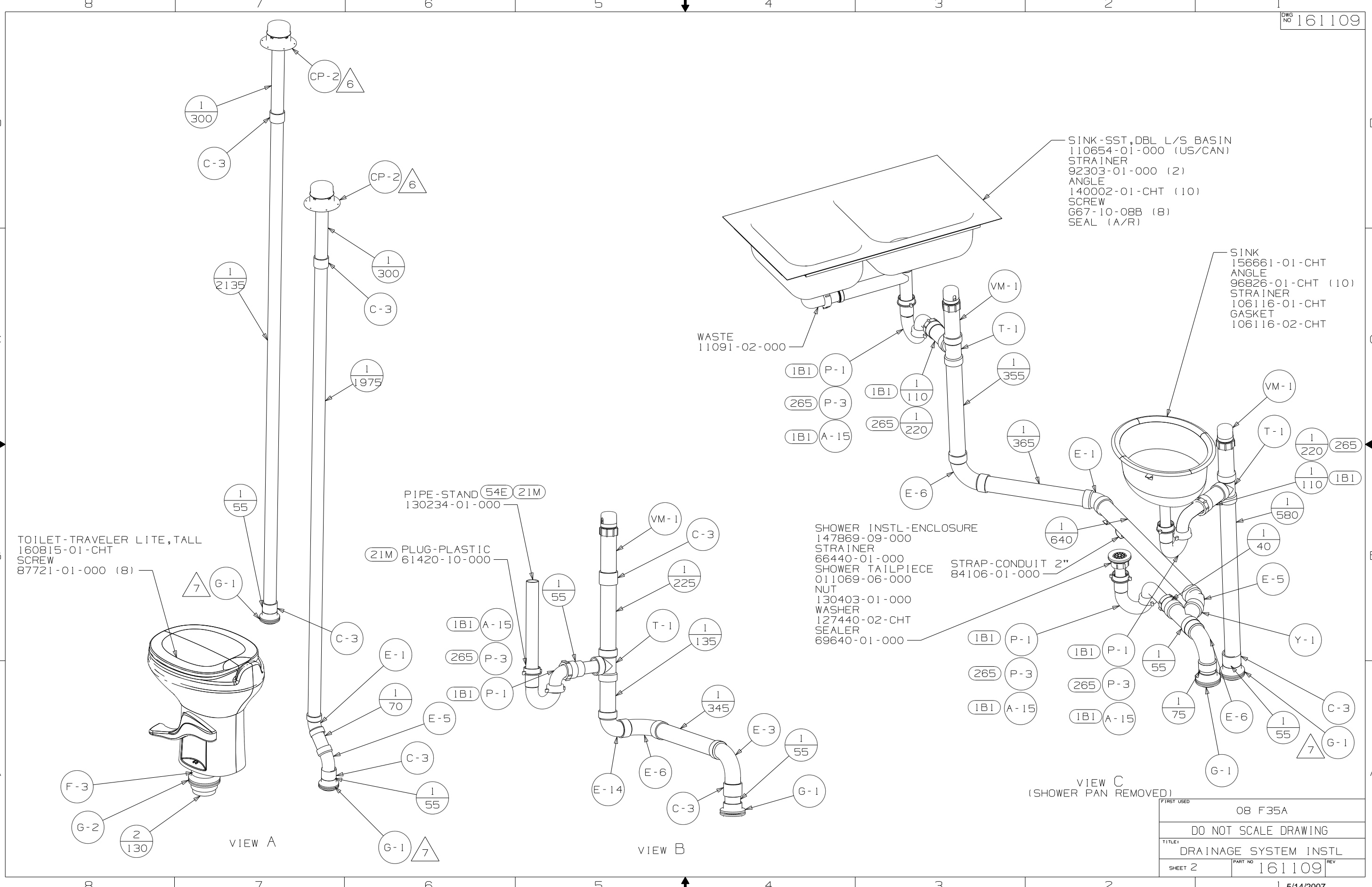


- (54E) WASHER/DRYER
- (21M) WASHER/DRYER PREP
- (265) CODES/STANDARDS-CSA/CMVSS
- (1B1) CODES/STANDARDS-USA

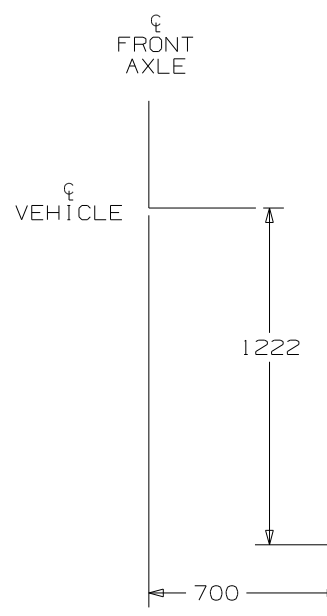
- NOTES:
- 7 SECURE VENT TUBES TO FLOOR WITH CLAMP 62401-02-000 (2), SCREW G67-10-12B (2), BRACKET 136878-01-CHT (2).
 - 6 VENT PIPE MUST PROJECT 51 MIN AND 64 MAX ABOVE ROOF FOR PROPER FIT AND FUNCTION.
 5. SEAL AROUND SHOWER WITH SILICONE.
 4. ALL EXTERIOR OPENINGS AROUND PIPE TO BE SEALED WITH 131264-03-000.
 3. ALL PIPE AND FITTINGS TO BE ASSEMBLED WITH SOLVENT 4020-01-000 (USA), 4020-02-000 (CAN)
 2. SLOPE OF TRAP ARM MUST BE 6 PER 305 mm.
 1. SLOPE OF HORIZONTAL PIPING TO BE MIN 3 PER 305 mm.

(X-X)
FOR DRAINAGE CALLOUTS SEE DWG NO 116229-01-000

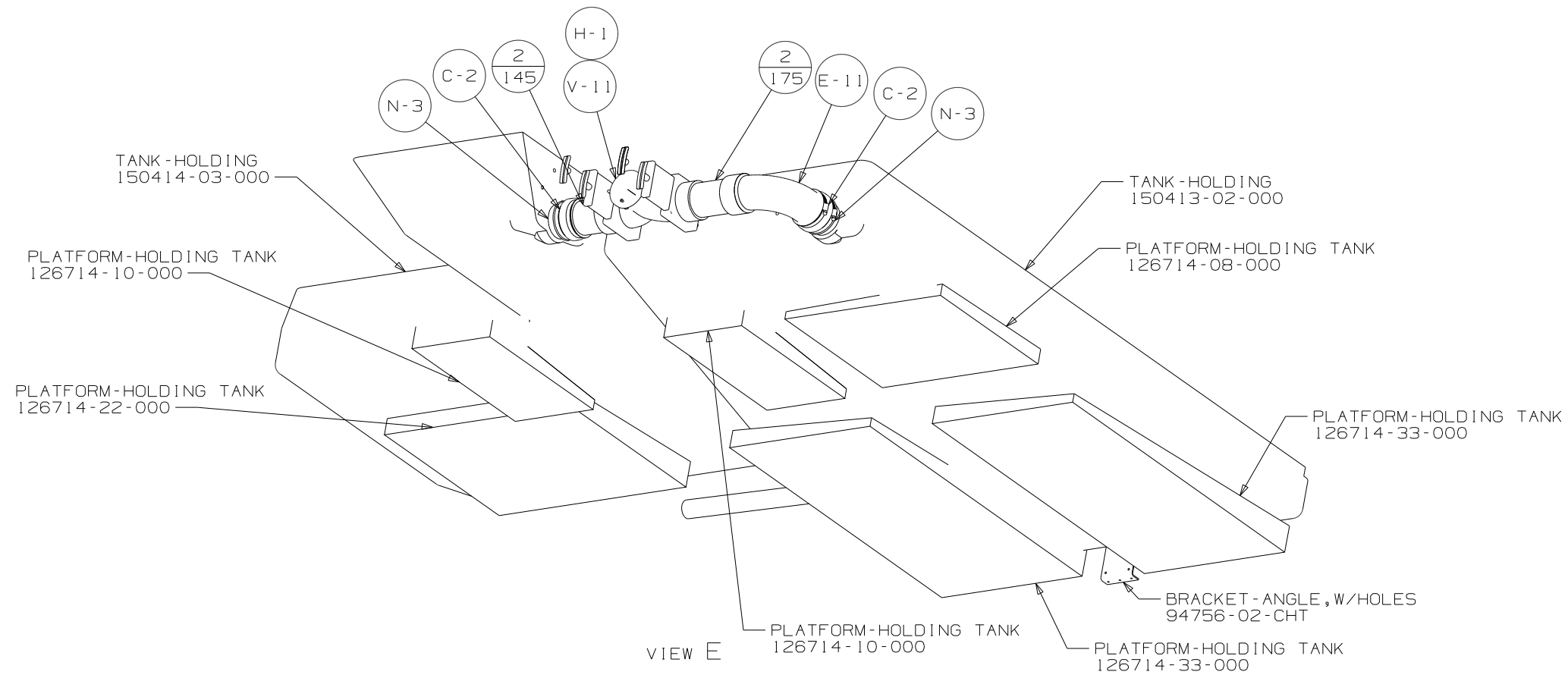
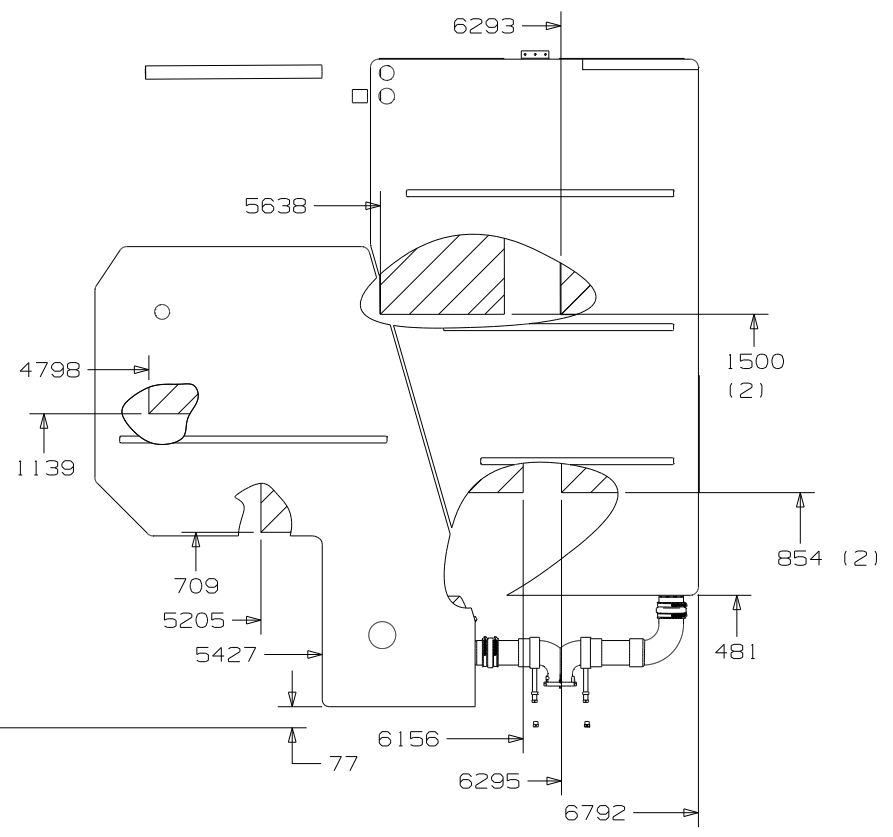
WINNEBAGO		COPYRIGHT 2007 WINNEBAGO INDUSTRIES, INC.	
DFT	ORIG. DATE	ALL DIMENSIONS ARE IN MILLIMETERS	
CHKR		FIRST USED	
P.E.		08 F35A	
M.E.			
DSNR			
UNSPECIFIED TOLERANCES ARE:		MATERIAL:	
WHOLE DIM (X)	: 5		
ONE-PLACE (X.X)	:		
TWO-PLACE (X.XX)	:		
ANGLE	:		
THIRD ANGLE PROJECTION			
DO NOT SCALE DRAWING			
TITLE: DRAINAGE SYSTEM INSTL			
SHEET 1 OF 3	PART NO	161109	REV



FIRST USED	08 F35A	
TITLE	DRAINAGE SYSTEM INSTL	
SHEET 2	PART NO	161109
REV		



VIEW D



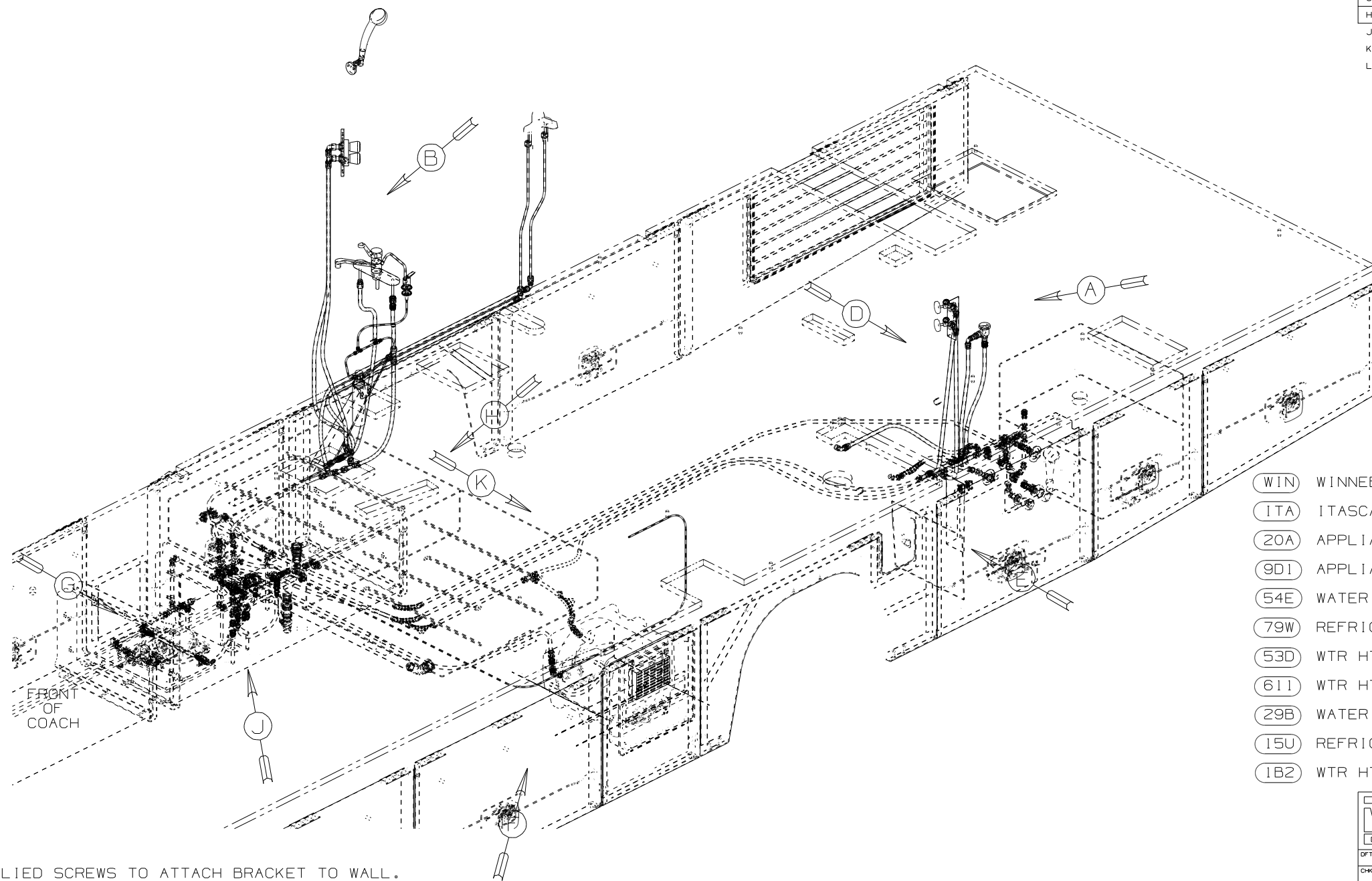
VIEW E

FIRST USED	08 F35A	
TITLE	DO NOT SCALE DRAWING	
	DRAINAGE SYSTEM INSTL	
SHEET 3	PART NO	161109
	REV	

8 7 6 5 4 3 2

RELEASE	REV DATE	DWG NO
A		161108
REV ZONE	REVISION RECORD	DATE DFR-ORIG

G	SHT4	DELETED NOTE	03/12/07	0626-9941
H	SHT4	ADD 044927-02 CALLOUT	03/22/07	5660-9941
J	---	EDIT CALLOUTS ON VIEW J	04/02/07	1600-0428
K	S4 AZ,4	135 WAS 95, 360 WAS 340	4/24/07	4823-0428
L	SHT4	DELETED (4) 142053-00-134	09-10-07	0626-0428



- (WIN) WINNEBAGO ONLY
- (ITA) ITASCA ONLY
- (20A) APPLIANCE PKG-STAINLESS S W/O
- (9D1) APPLIANCE PKG-STAINLESS STEEL
- (54E) WATER SYST WINTERIZATIO PKG
- (79W) REFRIGERATOR-4 DOOR
- (53D) WTR HTR-6GAL/ELE/LP/MOTORAID
- (611) WTR HTR-AUX AUTO/MOTORAID
- (29B) WATER PURIFIER
- (15U) REFRIGERATOR/FRZR W/ICEMAKER
- (1B2) WTR HTR-10 GAL/ELEC/LP/MTRAID

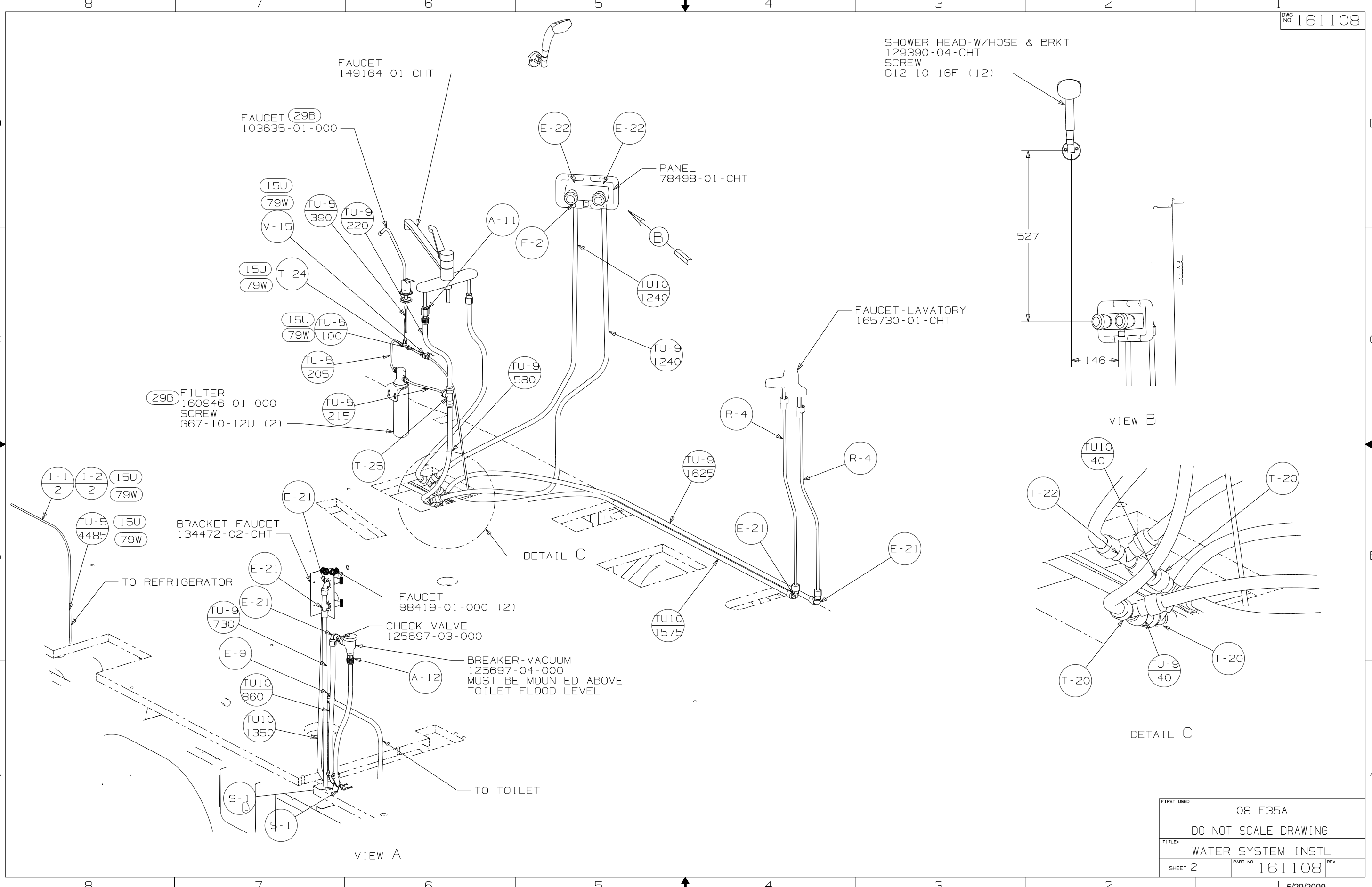
- △ USED IN PLACE OF SUPPLIED SCREWS TO ATTACH BRACKET TO WALL.
- △ ADD TEFLON TAPE 10405-01-000.
- △ ADD TEFLON TAPE 10405-02-000.
- 3. ALL TUBING TO BE SECURED AT 1200 INTERVALS MAXIMUM WITH CLAMP 10495-01-000 AND SCREW G67-10-12B OR EQUIVALENT.
- 2. TUBING TO BE INSTALLED WITH SUFFICIENT SLOPE TO PROVIDE DRAINAGE TO NEAREST VALVE.
- 1. PLASTIC FITTINGS TO BE SEALED WITH SEALANT 84456-01-000.

NOTES:

WINNEBAGO		COPYRIGHT 2009 WINNEBAGO INDUSTRIES, INC.	
DFTR	ORIG. DATE		
CHKR	ALL DIMENSIONS ARE IN MILLIMETERS		
P.E.	FIRST USED	08 F35A	
M.E.	UNSPECIFIED TOLERANCES ARE:	MATERIAL:	
DSNR	WHOLE DIM (X) : 7		
	ONE-PLACE (X.X) :		
	TWO-PLACE (X.XX) :		
	ANGLE :		
THIRD ANGLE PROJECTION	DO NOT SCALE DRAWING		
TITLE: WATER SYSTEM INSTL			
SHEET 1 OF 4	PART NO	161108	REV
REF:	1 5/29/2009		

(X-X)
FOR
WATER
CALLOUTS
SEE DWG NO
116230-01-000

8 7 6 5 4 3 2



SHOWER HEAD-W/HOSE & BRKT
 129390-04-CHT
 SCREW
 G12-10-16F (12)

FAUCET
 149164-01-CHT

FAUCET (29B)
 103635-01-000

PANEL
 78498-01-CHT

(29B) FILTER
 160946-01-000
 SCREW
 G67-10-12U (2)

BRACKET-FAUCET
 134472-02-CHT

FAUCET
 98419-01-000 (2)

CHECK VALVE
 125697-03-000

BREAKER-VACUUM
 125697-04-000
 MUST BE MOUNTED ABOVE
 TOILET FLOOD LEVEL

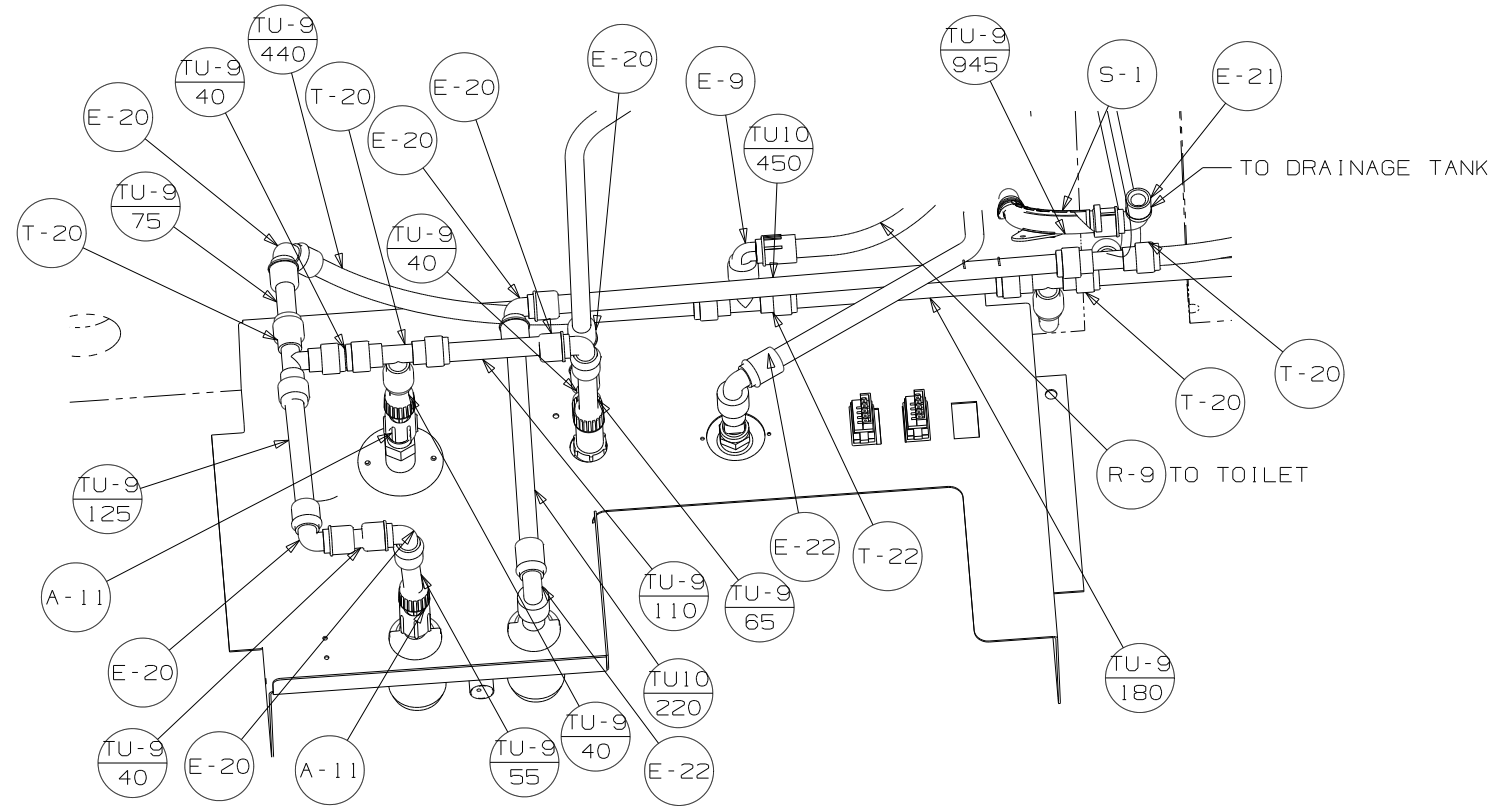
FAUCET-LAVATORY
 165730-01-CHT

VIEW B

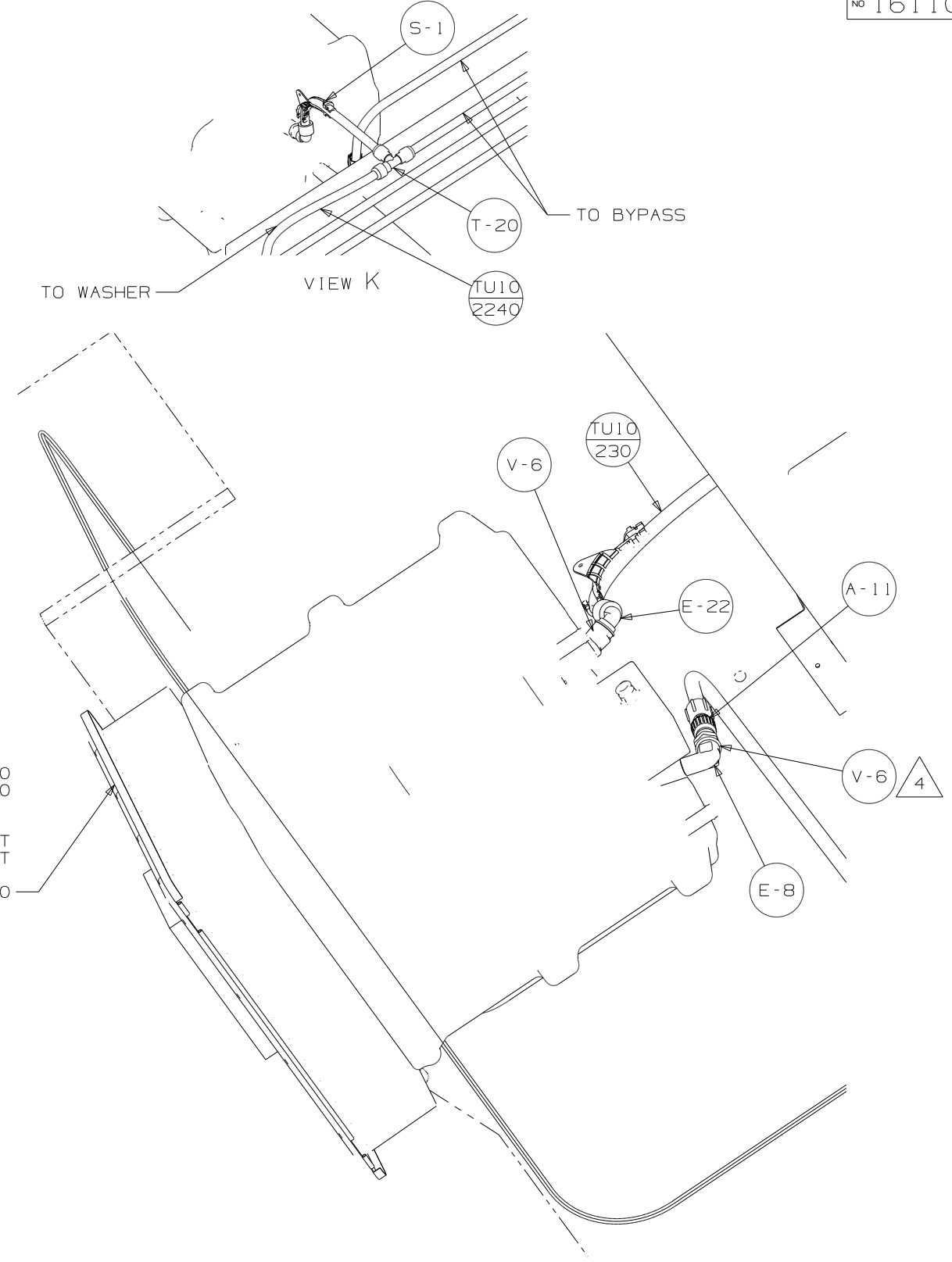
DETAIL C

VIEW A

FIRST USED	08 F35A		
TITLE:	DO NOT SCALE DRAWING		
	WATER SYSTEM INSTL		
SHEET 2	PART NO	161108	REV



VIEW D



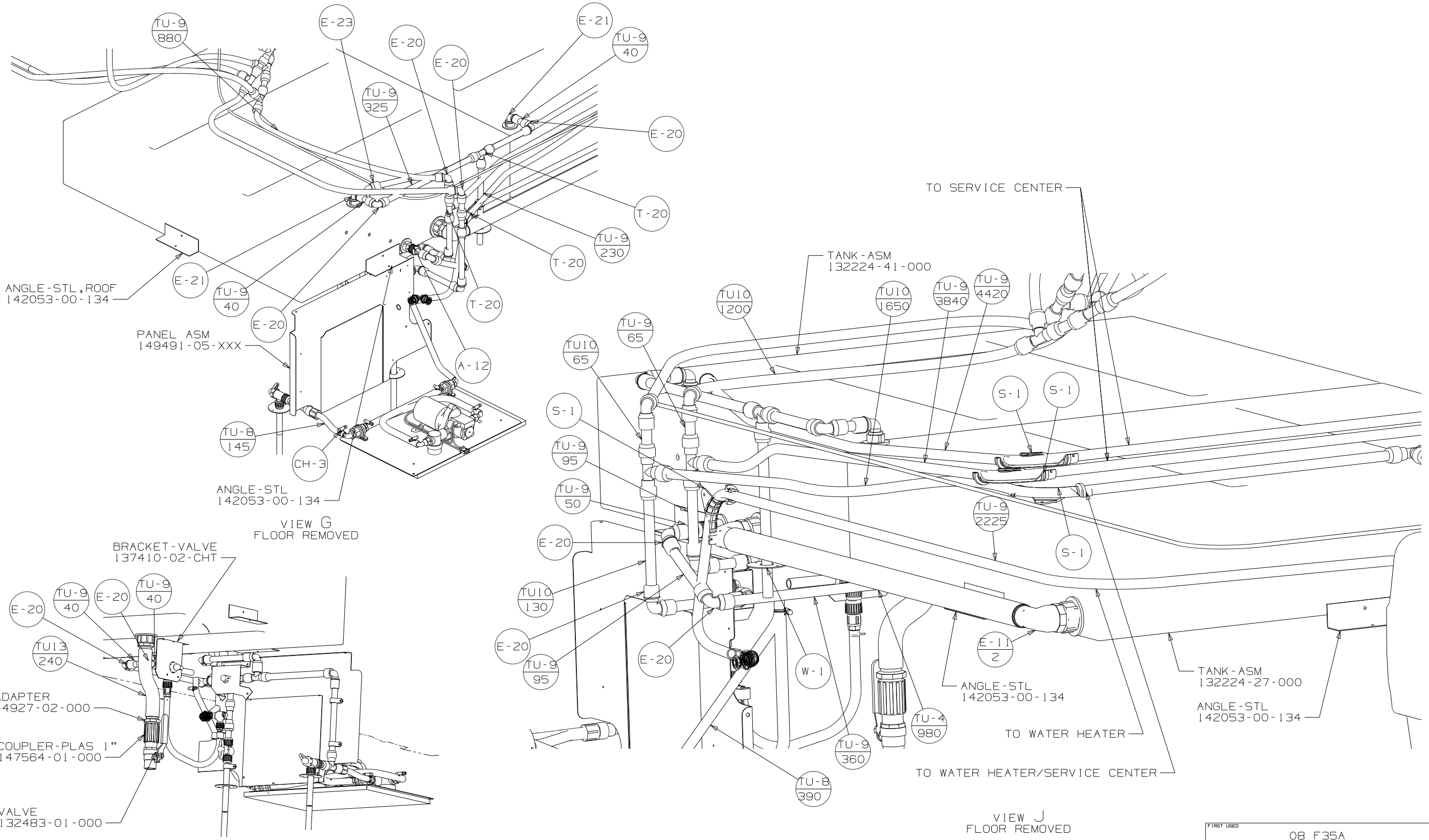
VIEW F

INLET-WATER, FLUSHING SYSTEM
125697-05-000

- (1B2) (54E) WATER HEATER
- (54E) 145541-01-000
- (54E) 145541-02-000
- (611) 51393-01-000
- DOOR
- (1B2) (54E) 125420-03-CHT
- (611) (53D) 125420-04-CHT
- BUMPER INSTL
- 146507-01-000

PANEL-SERVICE CENTER
136034-12-CHT

FIRST USED	08 F35A		
TITLE	DO NOT SCALE DRAWING		
TITLE	WATER SYSTEM INSTL		
SHEET 3	PART NO	161108	REV



FIRST USED	08 F35A		
TITLE:	DO NOT SCALE DRAWING		
SHEET 4	PART NO	161108	REV