

FRONT OF VEHICLE

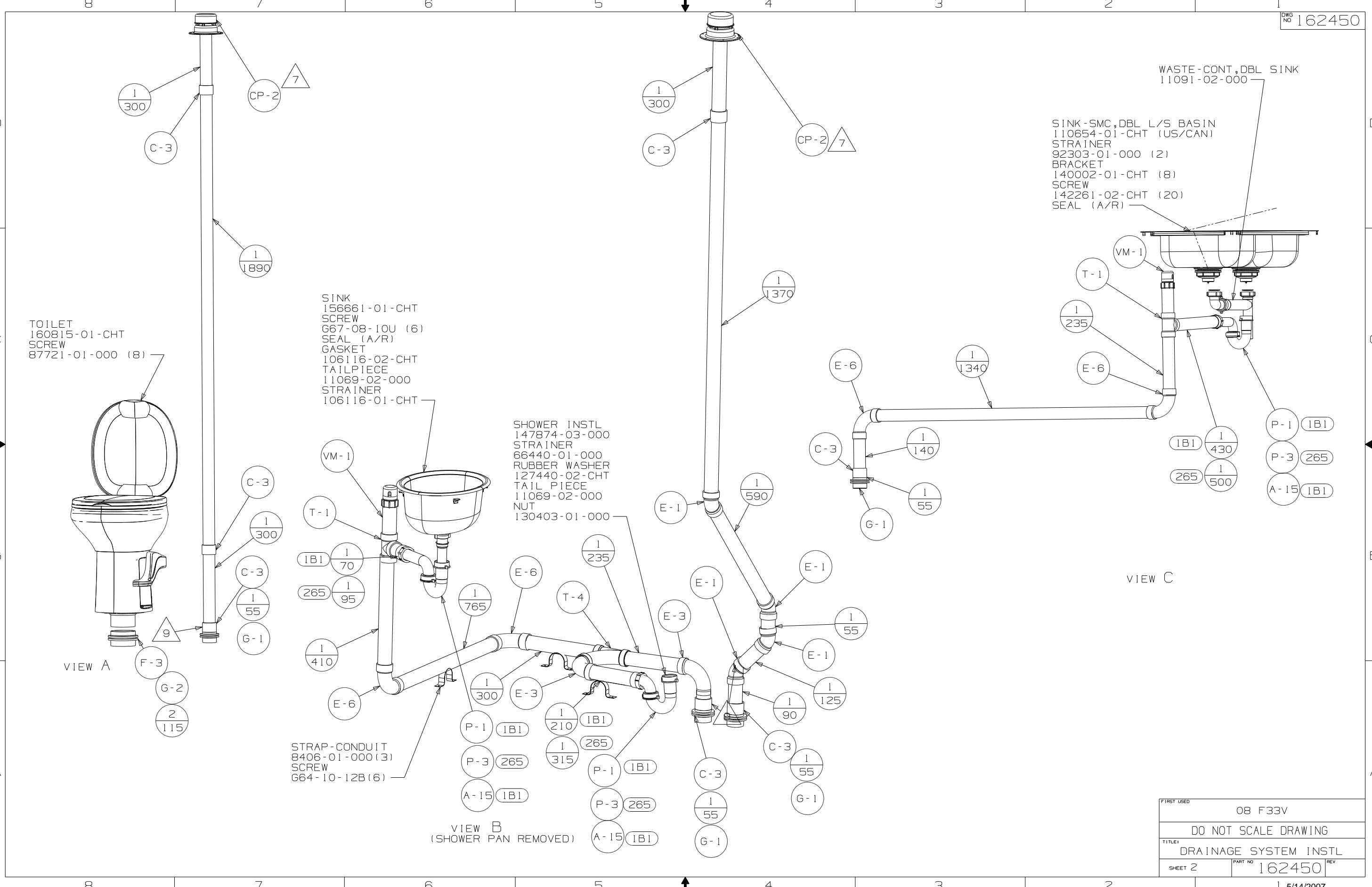
- 8 SECURE TO FLOOR WITH BRACKET 136878-01-CHT, CLAMP 62401-02-000, AND SCREW G67-10-12B.
- 7 VENT PIPE MUST PROJECT 51 MIN AND 64 MAX ABOVE ROOF FOR PROPER FIT AND FUNCTION.
- 6 FOR CANADIAN UNITS EACH HOLDING TANK SHALL HAVE A CSA APPROVAL STAMPED NEAR THE IAMPO APPROVAL.
- 5. SEAL AROUND SHOWER WITH SILICONE.
- 4. ALL EXTERIOR OPENINGS AROUND POPE TO BE SEALED WITH 100744-01-000.
- 3. ALL PIPE AND FITTINGS TO BE ASSEMBLED WITH SOLVENT 4020-01-000 (US), 4020-02-000 (CAN).
- 2. SLOPE OF TRAP ARM MUST E 6 PER 305 mm.
- 1. SLOPE OF HORIZONTAL PIPING TO BE 6 PER 305 mm.

NOTES:

(265) CODES/STANDARDS-CSA/CMVSS
 (1B1) CODES/STANDARDS-USA

FOR DRAINAGE CALLOUTS SEE DWG NO. 116229-01-000

WINNEBAGO		COPYRIGHT 2007 WINNEBAGO INDUSTRIES, INC.	
D/FR	ORIG. DATE	ALL DIMENSIONS ARE IN MILLIMETERS	
CHKR		MATERIAL:	
P.E.		UNSPECIFIED TOLERANCES ARE:	
M.E.	FIRST USED	HOLE DIM (X) : 3	
DSNR	08 F33V	ONE-PLACE (X.X) :	
		TWO-PLACE (X.XX) :	
		ANGLE :	
THIRD ANGLE PROJECTION			
DO NOT SCALE DRAWING			
TITLE: DRAINAGE SYSTEM INSTL			
SHEET 1 OF 3	PART NO 162450	REV	
REF:		1 5/14/2007	



TOILET
160815-01-CHT
SCREW
87721-01-000 (8)

SINK
156661-01-CHT
SCREW
G67-08-10U (6)
SEAL (A/R)
GASKET
106116-02-CHT
TAILPIECE
11069-02-000
STRAINER
106116-01-CHT

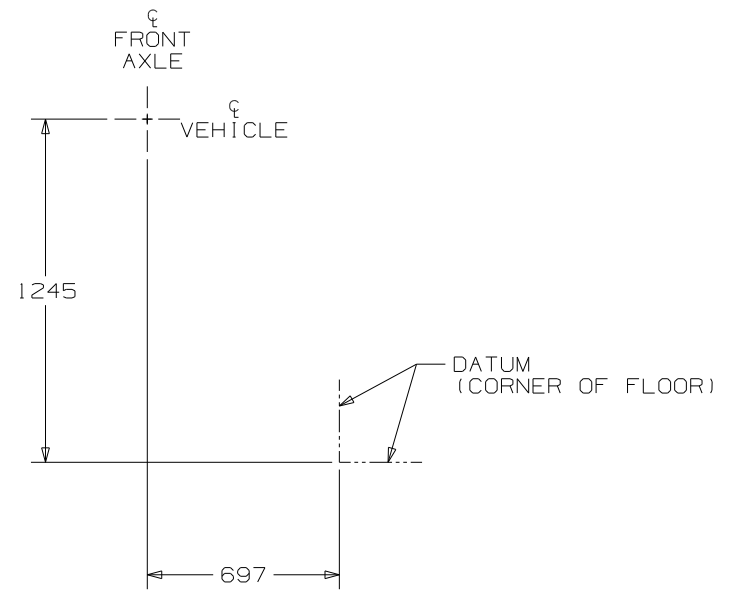
SHOWER INSTL
147874-03-000
STRAINER
66440-01-000
RUBBER WASHER
127440-02-CHT
TAIL PIECE
11069-02-000
NUT
130403-01-000

WASTE-CONT, DBL SINK
11091-02-000

SINK-SMC, DBL L/S BASIN
110654-01-CHT (US/CAN)
STRAINER
92303-01-000 (2)
BRACKET
140002-01-CHT (8)
SCREW
142261-02-CHT (20)
SEAL (A/R)

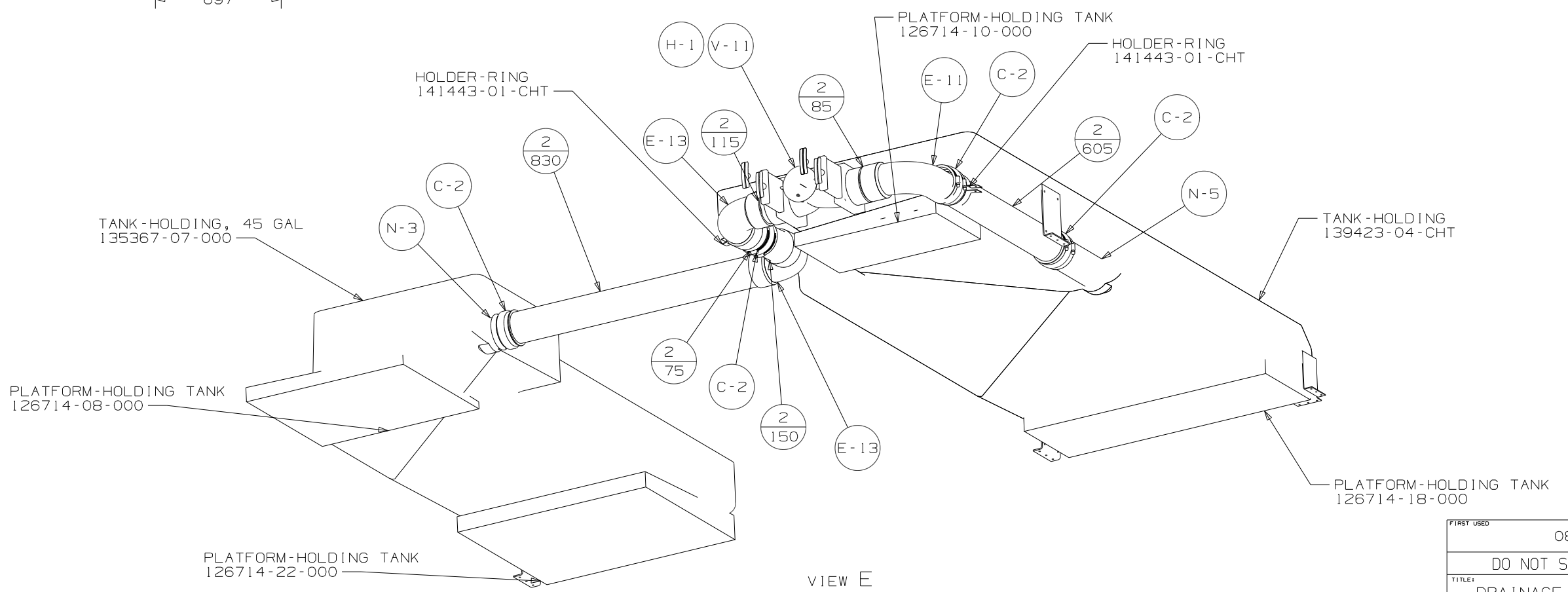
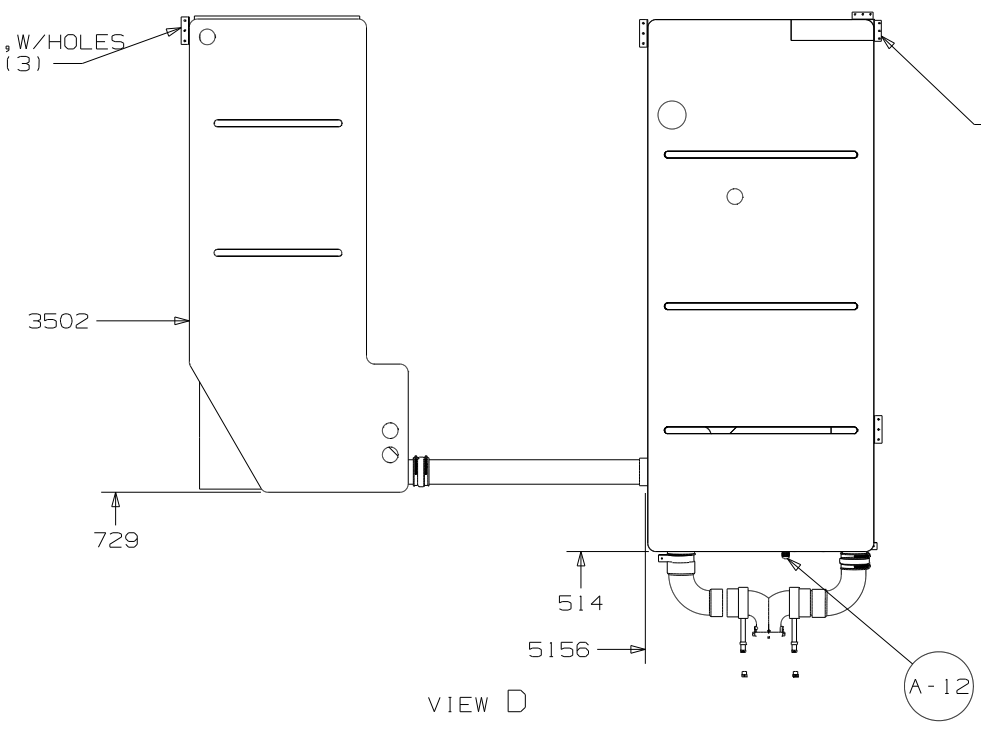
STRAP-CONDUIT
8406-01-000 (3)
SCREW
G64-10-12B (6)

FIRST USED	08 F33V	
TITLE:	DO NOT SCALE DRAWING	
	DRAINAGE SYSTEM INSTL	
SHEET 2	PART NO	162450
	REV	
1 5/14/2007		



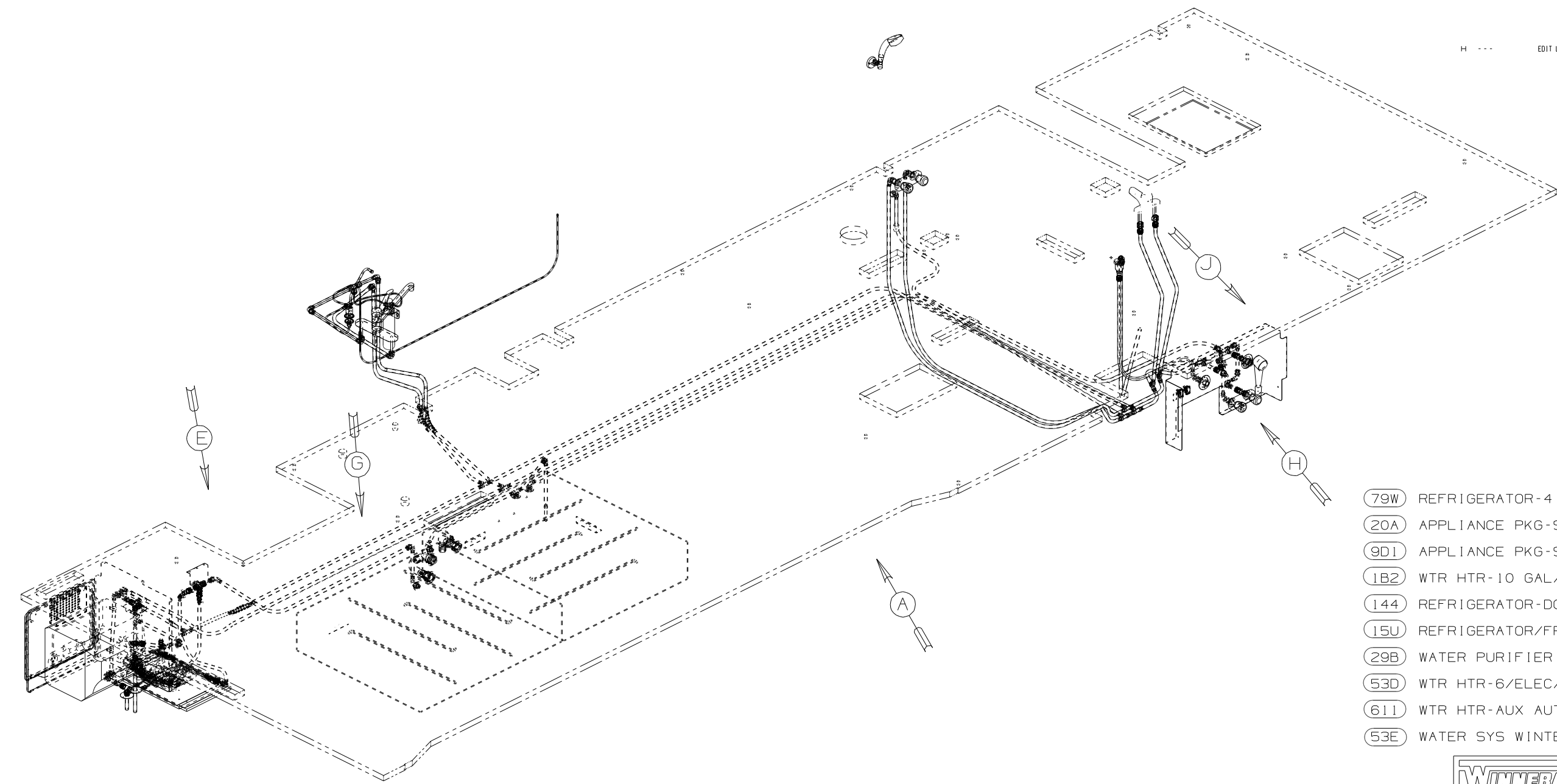
BRACKET - ANGLE, W/HOLES
94756-02-CHT (3)

BRACKET - HOLDING TANK
126796-04-CHT



FIRST USED	08 F33V	
TITLE	DO NOT SCALE DRAWING	
	DRAINAGE SYSTEM INSTL	
SHEET 3	PART NO 162450	REV

H --- EDIT LENGTHS ON SH2 05/10/07 1600-0420

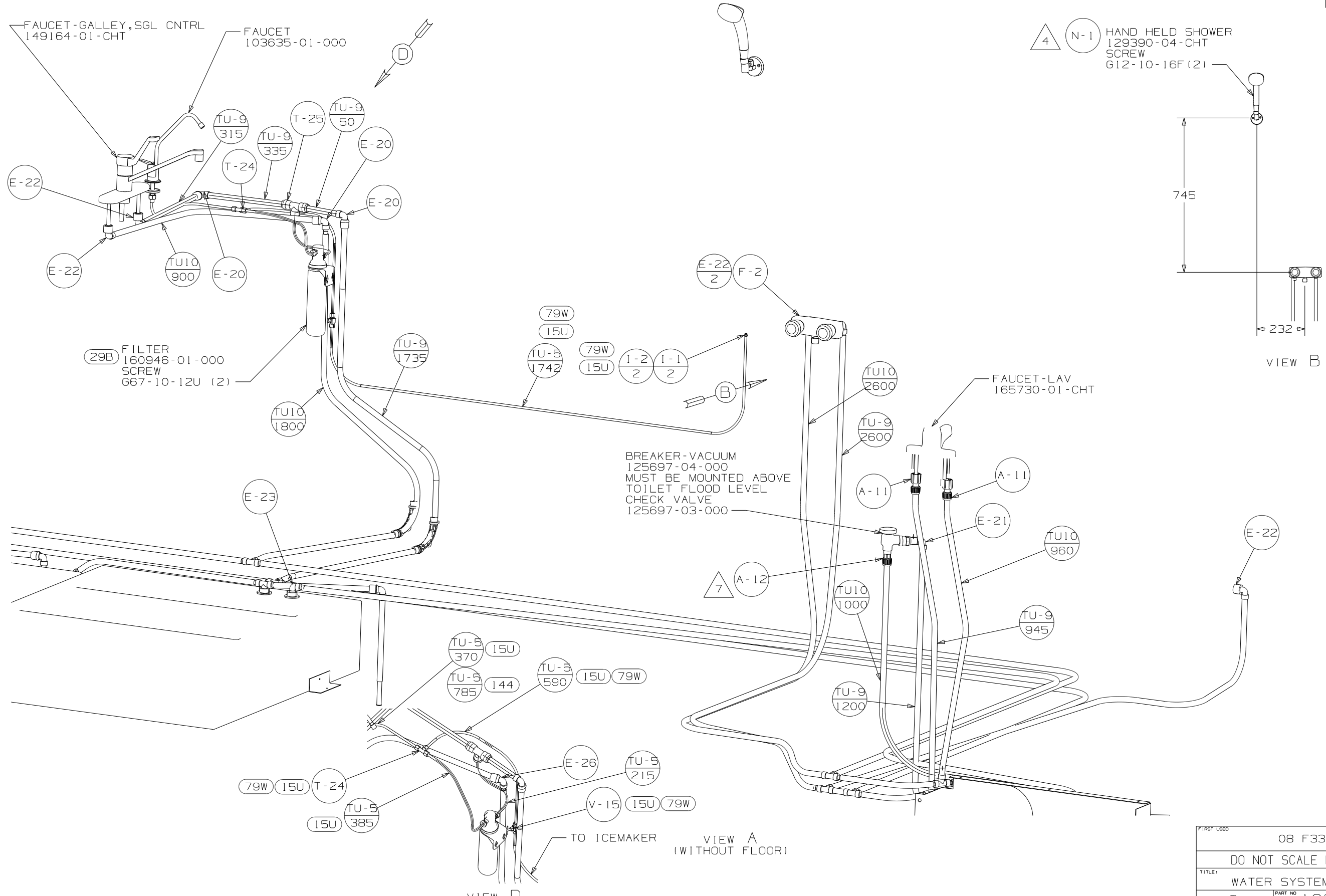


- (79W) REFRIGERATOR-4 DOOR
- (20A) APPLIANCE PKG-STAINLESS ST W/O
- (9D1) APPLIANCE PKG-STAINLESS STEEL
- (1B2) WTR HTR-10 GAL/ELEC/LP/MTR AID
- (144) REFRIGERATOR-DOUBLE DOOR
- (15U) REFRIGERATOR/FRAR W/ICEMAKER
- (29B) WATER PURIFIER
- (53D) WTR HTR-6/ELEC/LP/MOTORAID
- (611) WTR HTR-AUX AUTO/MOTORAID
- (53E) WATER SYS WINTERIZATION PKG

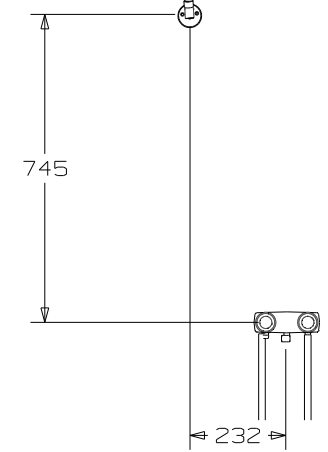
- NOTES:
- 7 ADD TEFLON TAPE 10405-03-000.
 - 6 ADD TEFLON TAPE 10405-02-000.
 - 5 ADD TEFLON TAPE 10405-01-000.
 - 4 USE IN PLACE OF SUPPLIED SCREWS TO ATTACH BRACKET TO WALL.
 - 3. ALL TUBING TO BE SECURED AT 1200 INTERVALS MAXIMUM WITH CLAMP 10495-01-000 AND SCREW G67-10-12B OR EQUIVALENT.
 - 2. TUBING TO BE INSTALLED WITH SUFFICIENT SLOPE TO PROVIDE DRAINAGE TO NEAREST VALVE.
 - 1. PLASTIC FITTINGS TO BE SEALED WITH SEALANT 84456-01-000.

(X-X)
FOR
WATER
CALLOUTS
SEE DWG NO
116230-01-000

WINNEBAGO		COPYRIGHT 2009 WINNEBAGO INDUSTRIES, INC.	
DFTR	ORIG. DATE	ALL DIMENSIONS ARE IN MILLIMETERS	
CHKR		FIRST USED	
P.E.		08 F33V	
M.E.		UNSPECIFIED TOLERANCES ARE:	
DSNR		MATERIAL:	
		WHOLE DIM (X) :	7
		ONE-PLACE (X.X) :	
		TWO-PLACE (X.XX) :	
		ANGLE :	
THIRD ANGLE PROJECTION		DO NOT SCALE DRAWING	
TITLE: WATER SYSTEM INSTL			
SHEET 1 OF 4	PART NO	162458	REV
REF:	1 5/29/2009		



4 (N-1) HAND HELD SHOWER
129390-04-CHT
SCREW
G12-10-16F (2)

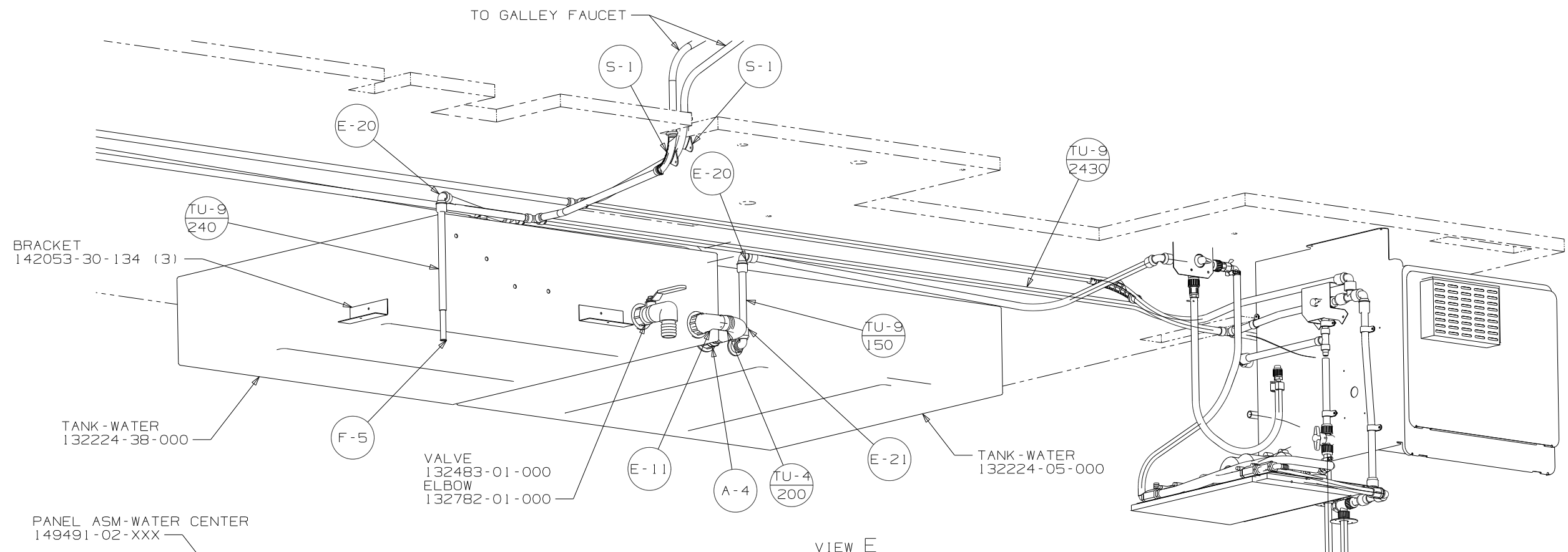


VIEW B

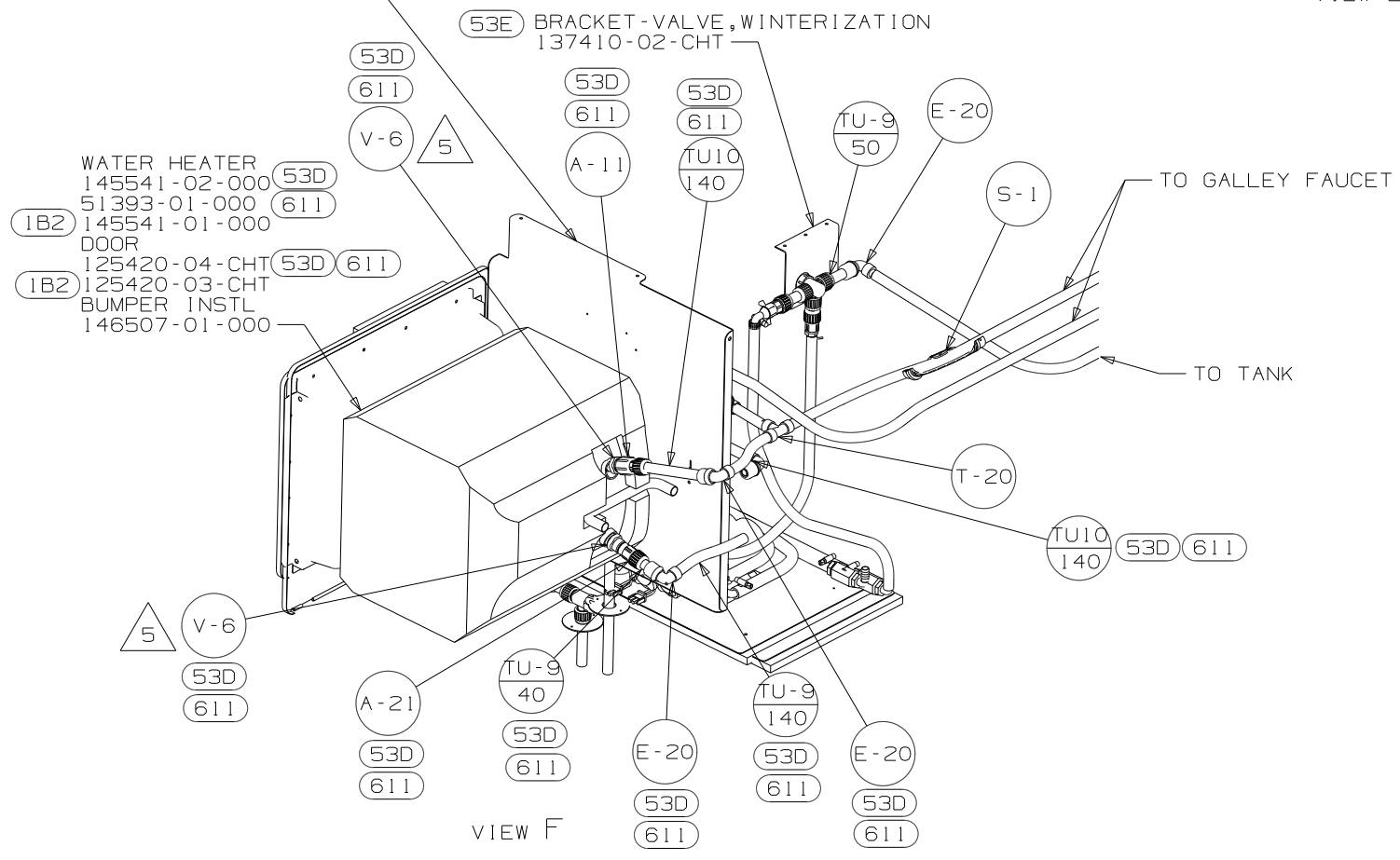
VIEW A (WITHOUT FLOOR)

VIEW D

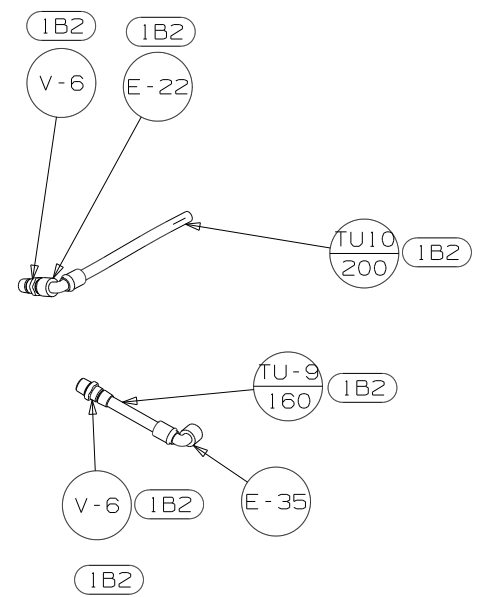
FIRST USED	08 F33V	
TITLE:	DO NOT SCALE DRAWING	
	WATER SYSTEM INSTL	
SHEET 2	PART NO	162458



VIEW E

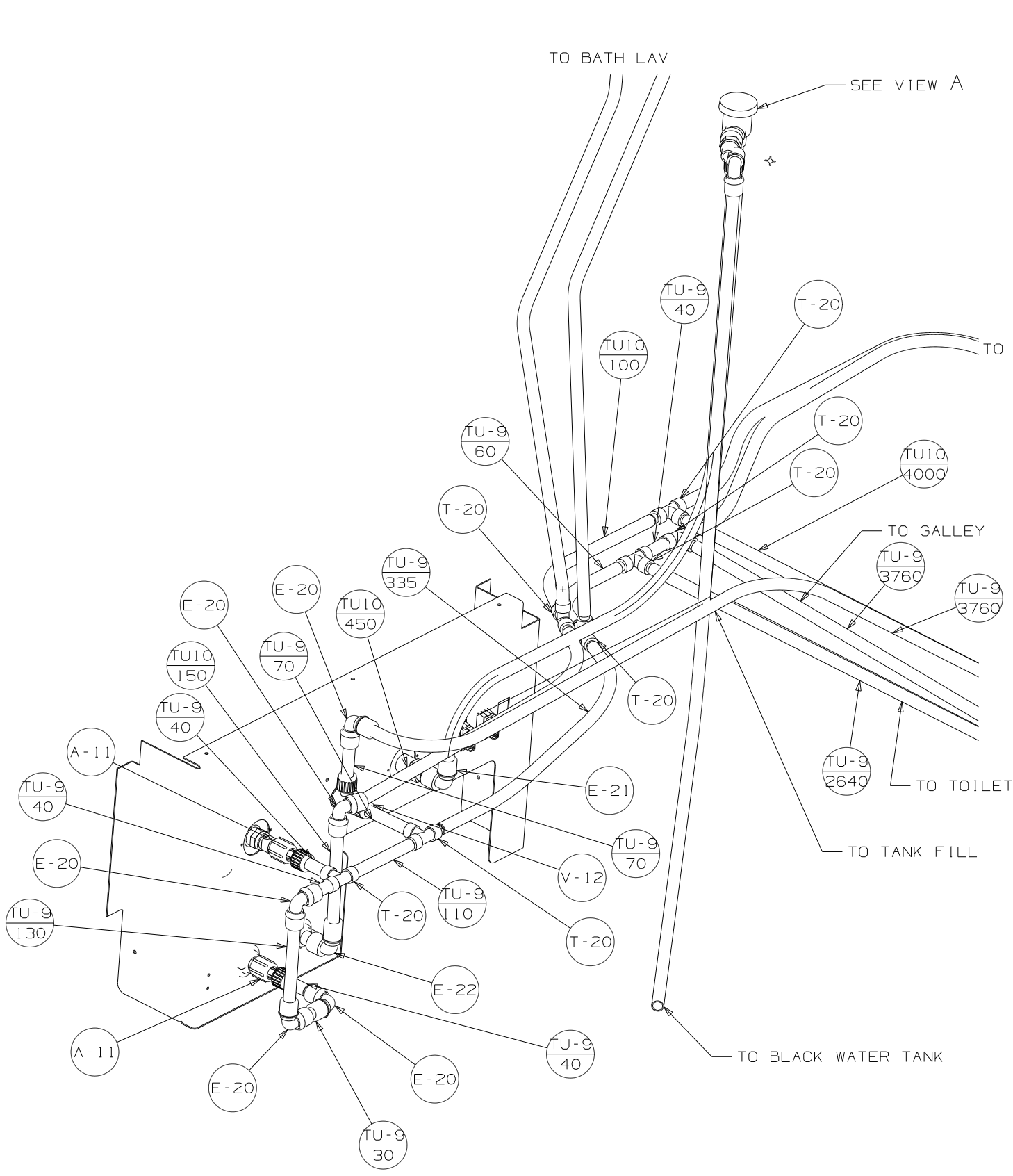


VIEW F

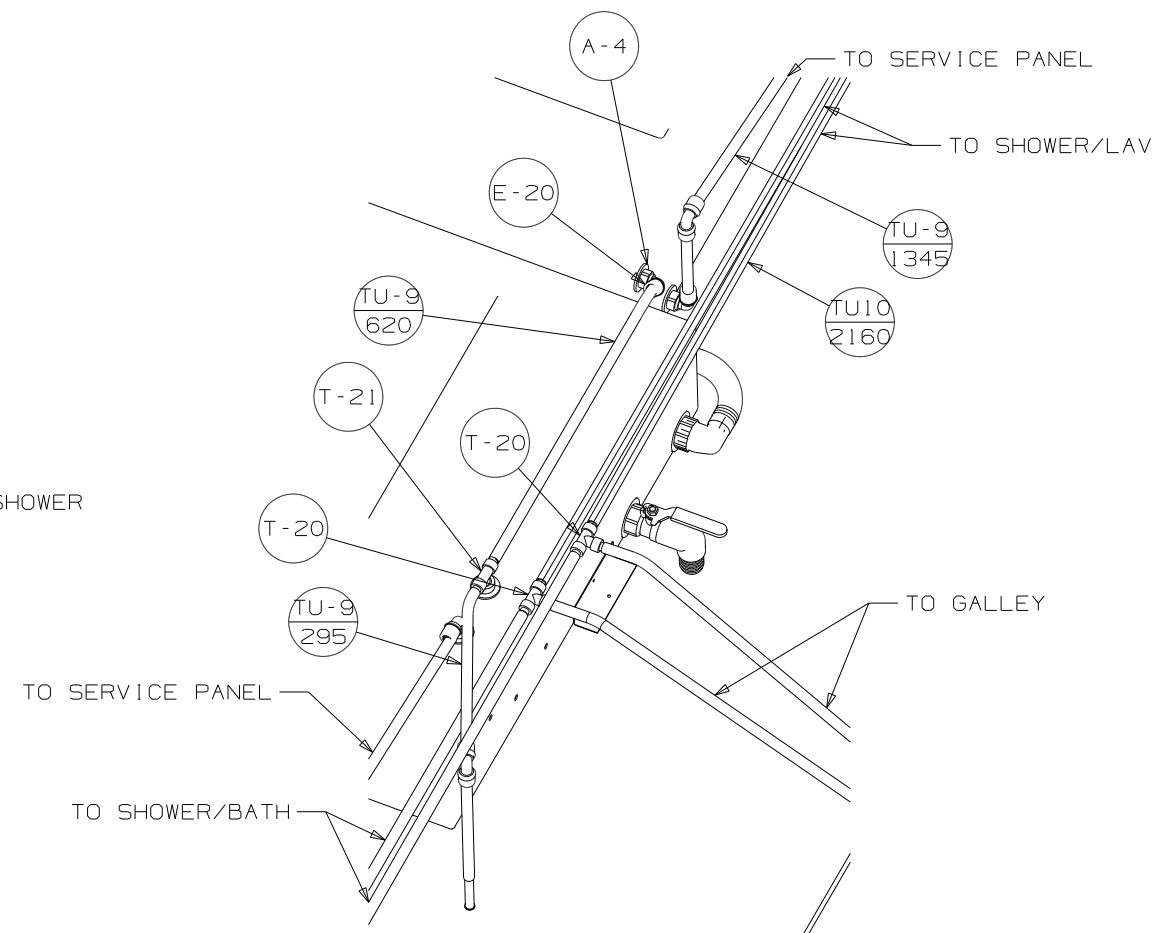


VIEW K

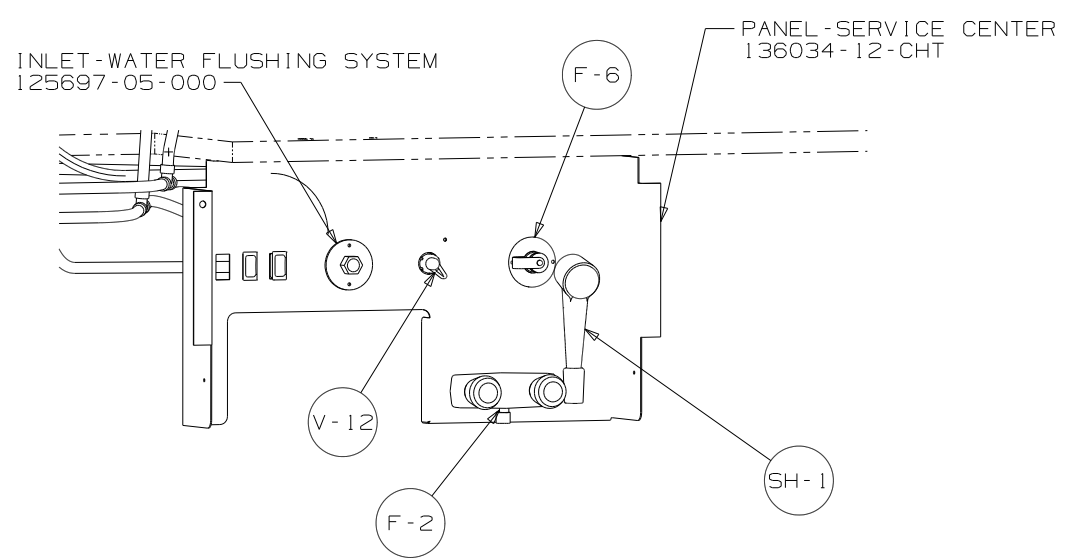
FIRST USED	08 F33V	
TITLE	DO NOT SCALE DRAWING	
	WATER SYSTEM INSTL	
SHEET 3	PART NO	162458
	REV	



VIEW J



VIEW G



VIEW H

FIRST USED	08 F33V
TITLE	DO NOT SCALE DRAWING
TITLE	WATER SYSTEM INSTL
SHEET 4	PART NO 162458 REV