

- 10. ATTACH TANK BRACKET TO RISER.
- 9. APPLY PRIMER 126427-02-000 AND CEMENT 126427-01-000 BETWEEN ELBOW AND FLEX PIPE.
- 8. SECURE DRAINAGE PIPES TO CABINET USING WIRE TIE 108046-02-000, AND SCREW G67-10-12B AT INTERVALS OF NOT MORE THAN 4 FEET APART.
- 7. SECURE VENT PIPE TO FLOOR WITH CLAMP 62401-02-000 (2), SCREW G67-10-12B (2), BRACKET 136878-01-CHT (2).
- 6. VENT PIPE MUST PROJECT 51 MIN AND 64 MAX ABOVE ROOF FOR PROPER FIT AND FUNCTION.
- 5. SEAL AROUND SHOWER WITH SILICONE.
- 4. ALL EXTERIOR OPENINGS AROUND PIPE TO BE SEALED WITH 131264-03-000.
- 3. ALL PIPE AND FITTINGS TO BE ASSEMBLED WITH SOLVENT 4020-01-000 (USA), 4020-02-000 (CAN)
- 2. SLOPE OF TRAP ARM MUST BE 6 PER 305 mm.
- 1. SLOPE OF HORIZONTAL PIPING TO BE MINIMUM OF 3 PER 305 mm.

- (B1) CODES/STANDARDS-USA
- (265) CODES/STANDARDS-CSA/CMVSS

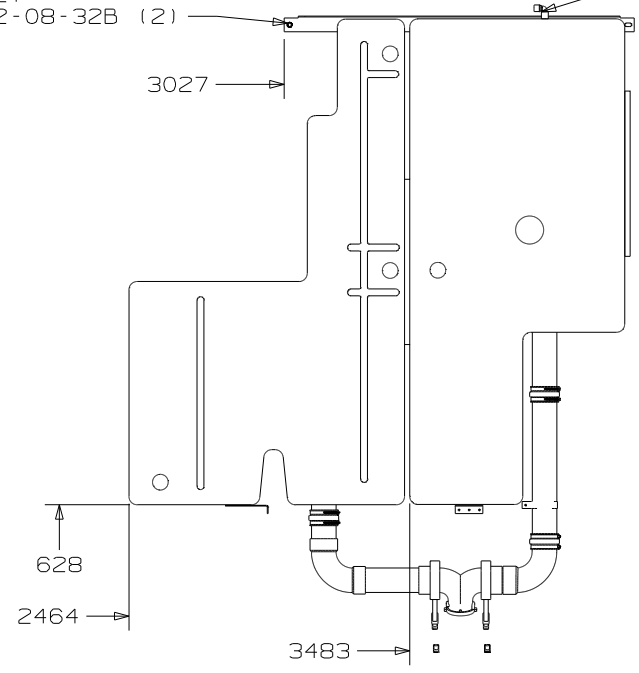
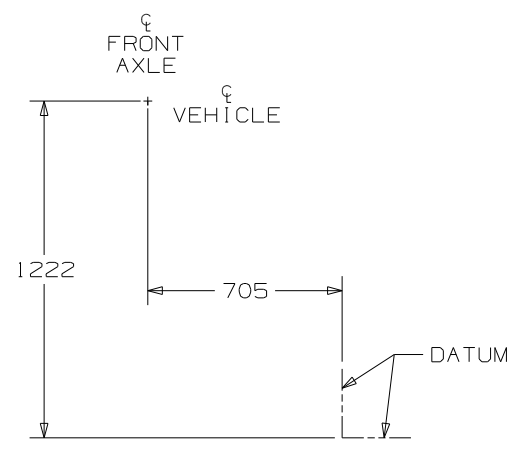
WINNEBAGO		COPYRIGHT 2008 WINNEBAGO INDUSTRIES, INC.	
DFTR	ORIG. DATE	ALL DIMENSIONS ARE IN MILLIMETERS	
CHKR		FIRST USED	
P.E.		08 F32H	
M.E.		UNSPECIFIED TOLERANCES ARE:	
DSNR		MATERIAL:	
		WHOLE DIM (X)	: 3
		ONE-PLACE (X.X)	: 1.5
		TWO-PLACE (X.XX)	: 0.50
		ANGLE	: 1°
THIRD ANGLE PROJECTION		DO NOT SCALE DRAWING	
TITLE: DRAINAGE SYSTEM INSTL			
SHEET 1 OF 3	PART NO	159797	REV

FOR
DRAINAGE
CALLOUTS
SEE DWG NO
116229-01-000

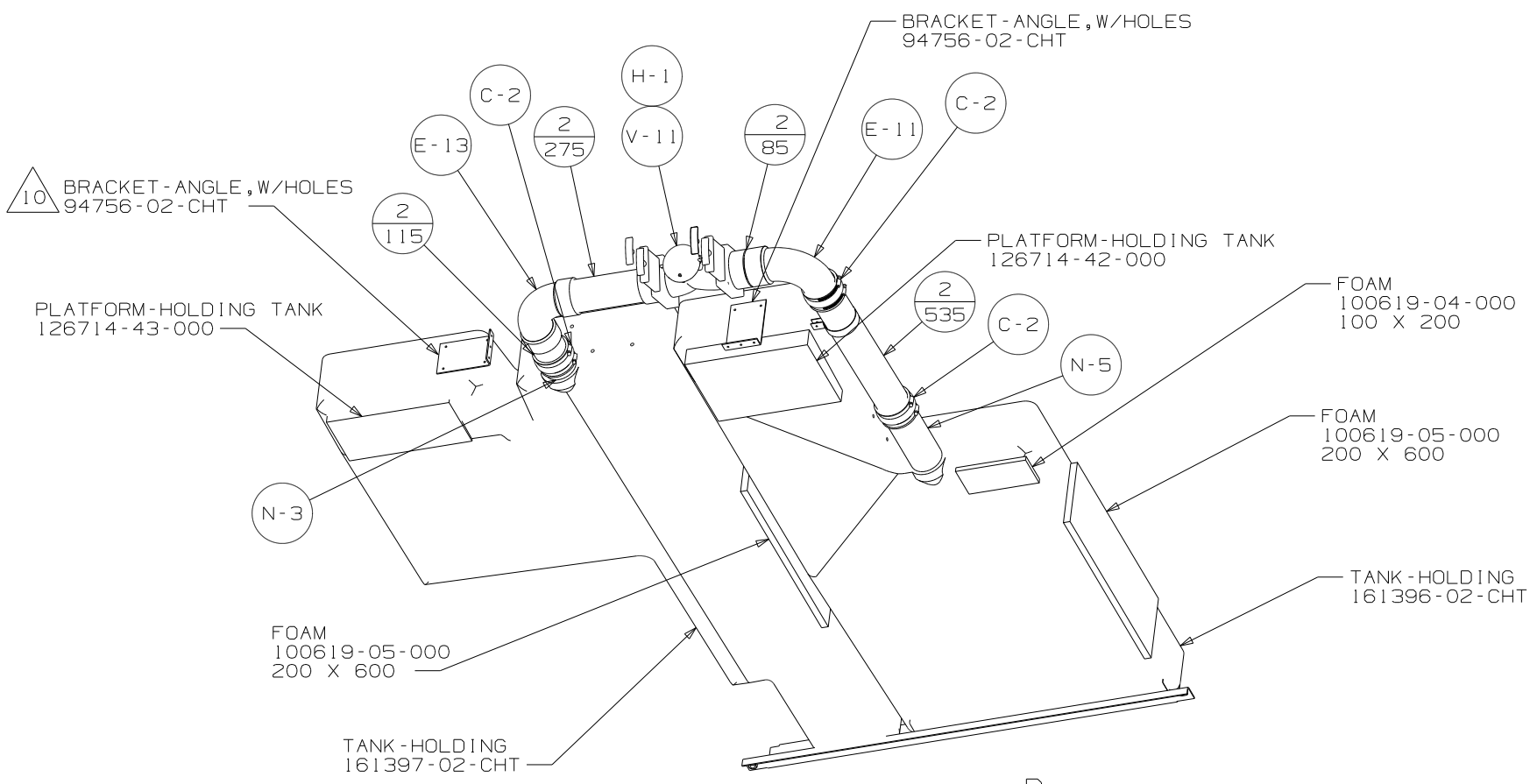
NOTES:

BRACKET-TANK, HOLDING
162818-01-CHT
BOLT
C12-08-32B (2)

E-21



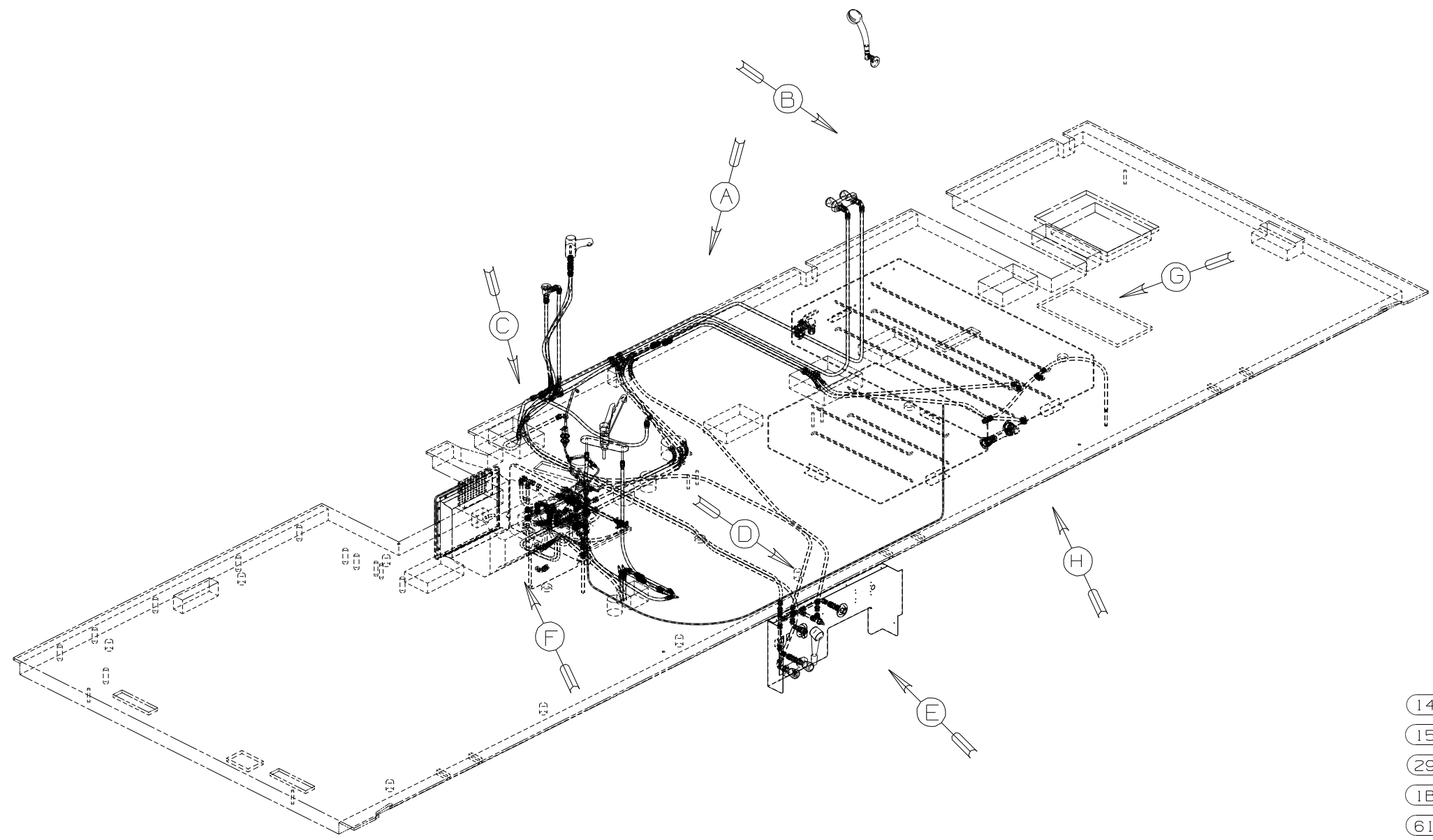
VIEW C



VIEW D

FIRST USED	08 F32H	
TITLE	DO NOT SCALE DRAWING	
	DRAINAGE SYSTEM INSTL	
SHEET 3	PART NO	159797
	REV	

J	SH4	TU-9 600 WAS 535	03/15/07	4378-4216
K	---	DELETE S-1 ON SHT2 FOR BETTER FITTING	04/04/07	1600-0428
L	SHT3	220 WAS 90	05/07/07	0626-0428
M	SHT3	ADD E-9 TO WATER HEATER, V-6, A-21, AND COLDWATER LINE AT 140	05/14/07	0345-0428



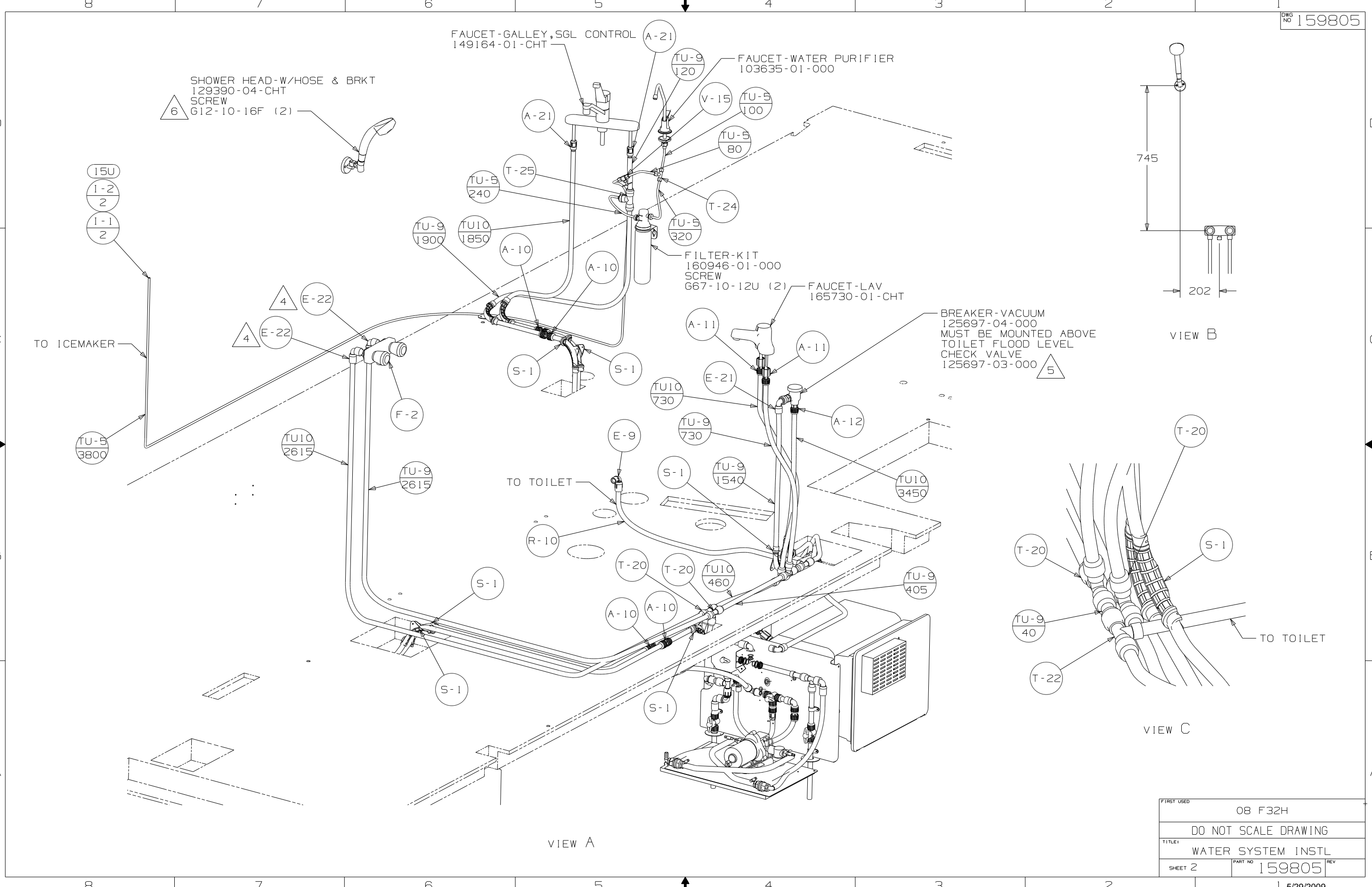
- (144) REFRIGERATOR-DOUBLE DOOR
- (15U) REFRIGERATOR/FRZR-W/ICEMAKER
- (29B) WATER PURIFIER
- (1B2) WTR HTR-10 GAL/ELEC/LP/MTR AID
- (611) WTR HTR-AUX AUTO/MOTORAID
- (53E) WATER SYS WINTERIZATION PKG

- △ 6 USE IN PLACE OF SUPPLIED SCREWS TO ATTACH BRACKET TO WALL.
- △ 5 ADD TEFLON TAPE 10405-02-000.
- △ 4 ADD TEFLON TAPE 10405-01-000.
- 3. ALL TUBING TO BE SECURED AT 1200 INTERVALS MAXIMUM WITH CLAMP 10495-01-000 AND SCREW G67-10-12B OR EQUIVALENT.
- 2. TUBING TO BE INSTALLED WITH SUFFICIENT SLOPE TO PROVIDE DRAINAGE TO NEAREST VALVE.
- 1. PLASTIC FITTINGS TO BE SEALED WITH SEALANT 84456-01-000.

NOTES:

(X-X)
FOR
WATER
CALLOUTS
SEE DWG NO
116230-01-000

WINNEBAGO		COPYRIGHT 2009 WINNEBAGO INDUSTRIES, INC.	
DFTR	ORIG. DATE	ALL DIMENSIONS ARE IN MILLIMETERS	
CHKR		FIRST USED	
P.E.		08 F32H	
M.E.		UNSPECIFIED TOLERANCES ARE:	
DSNR		MATERIAL:	
		WHOLE DIM (X)	: 3
		ONE-PLACE (X.X)	: 1.5
		TWO-PLACE (X.XX)	: 0.50
		ANGLE	: 1°
THIRD ANGLE PROJECTION		DO NOT SCALE DRAWING	
TITLE: WATER SYSTEM INSTL			
SHEET 1 OF 4	PART NO	159805	REV
REF:	1 5/29/2009		



SHOWER HEAD-W/HOSE & BRKT
129390-04-CHT
SCREW
G12-10-16F (2)

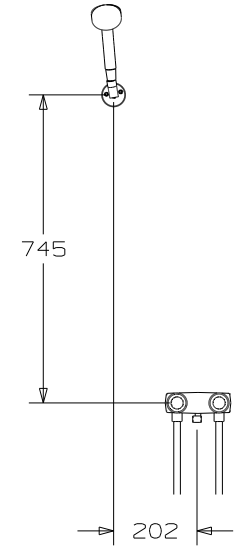
FAUCET-GALLEY, SGL CONTROL
149164-01-CHT

FAUCET-WATER PURIFIER
103635-01-000

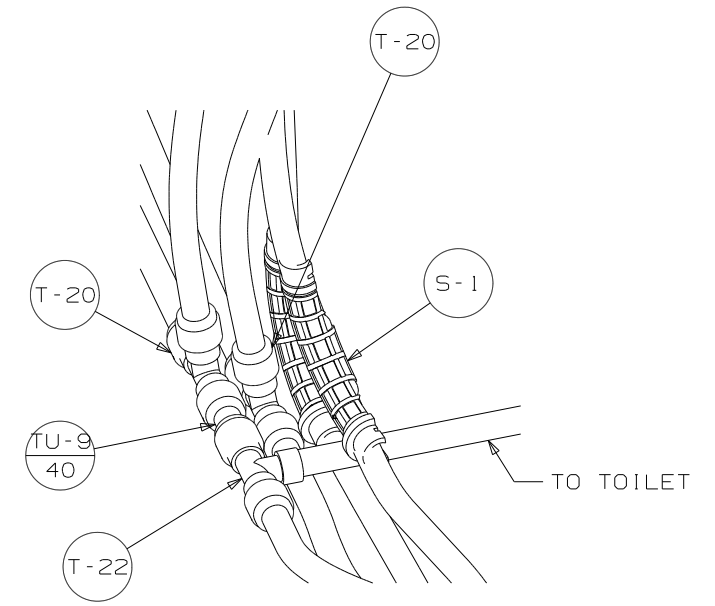
FILTER-KIT
160946-01-000
SCREW
G67-10-12U (2)

FAUCET-LAV
165730-01-CHT

BREAKER-VACUUM
125697-04-000
MUST BE MOUNTED ABOVE
TOILET FLOOD LEVEL
CHECK VALVE
125697-03-000



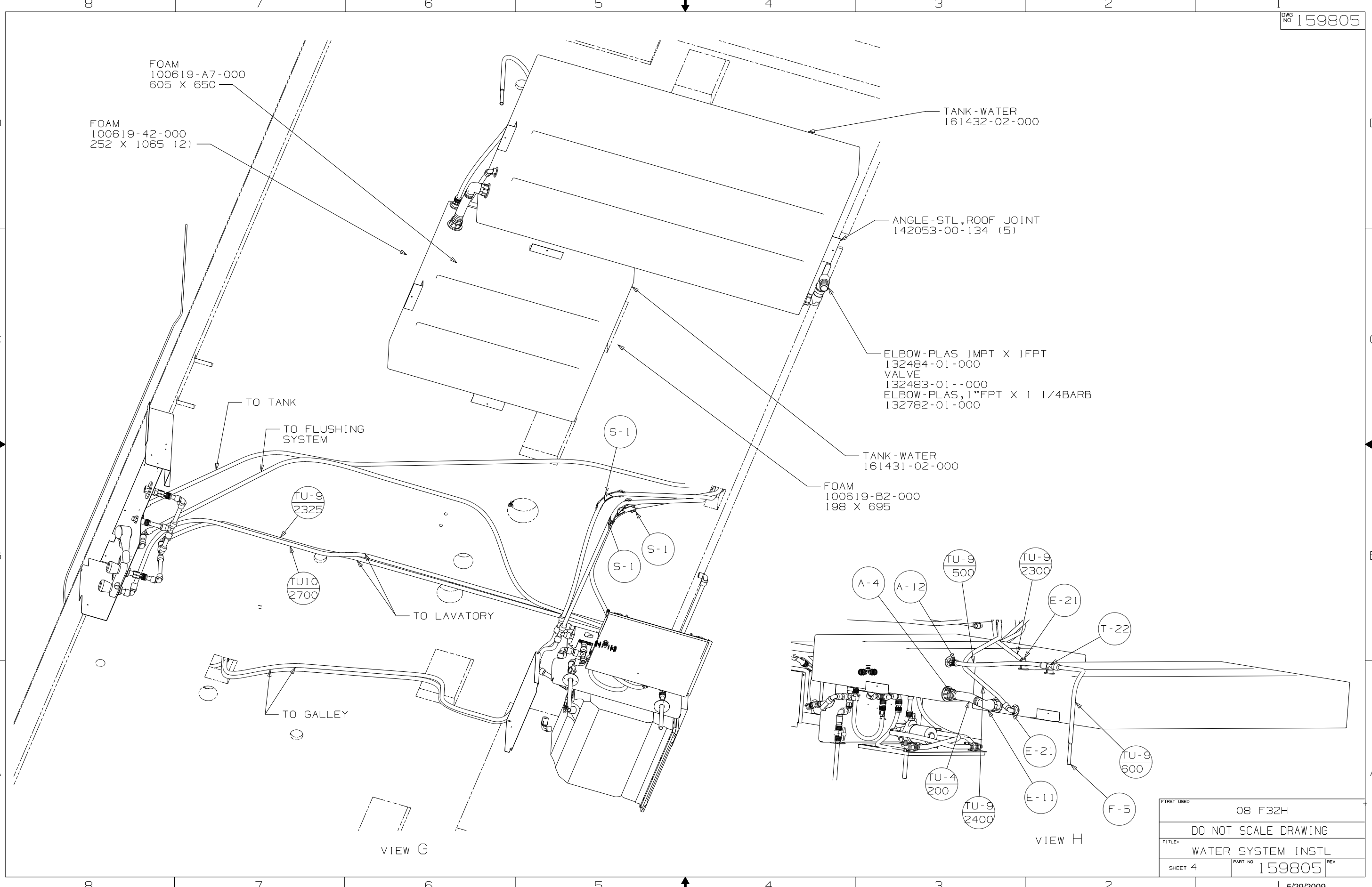
VIEW B



VIEW C

VIEW A

FIRST USED	08 F32H		
TITLE:	DO NOT SCALE DRAWING		
	WATER SYSTEM INSTL		
SHEET 2	PART NO	159805	REV



FOAM
100619-A7-000
605 X 650

FOAM
100619-42-000
252 X 1065 (2)

TANK-WATER
161432-02-000

ANGLE-STL, ROOF JOINT
142053-00-134 (5)

ELBOW-PLAS 1MPT X 1FPT
132484-01-000
VALVE
132483-01--000
ELBOW-PLAS, 1\"/>

TANK-WATER
161431-02-000

FOAM
100619-B2-000
198 X 695

TO TANK

TO FLUSHING
SYSTEM

TU-9
2325

TU-10
2700

TO LAVATORY

TO GALLEY

S-1

S-1

S-1

A-4

A-12

TU-9
500

TU-9
2300

E-21

T-22

E-21

TU-9
600

E-11

F-5

TU-4
200

TU-9
2400

VIEW G

VIEW H

FIRST USED	08 F32H		
TITLE	DO NOT SCALE DRAWING		
	WATER SYSTEM INSTL		
SHEET 4	PART NO	159805	REV