

FRONT
OF
COACH

- 9. USE SMOOTH PLUMBERS PUTTY 167459-01-000 TO SEAL STRAINER (QTY 2).
- 8. SECURE DRAINAGE PIPES TO CABINET USING WIRE TIE 108046-02-000, AND SCREW G67-10-12B AT INTERVALS OF NOT MORE THAN 4 FEET APART.
- 7. SECURE VENT PIPE TO FLOOR WITH CLAMP 62401-02-000 (2), SCREW G67-10-12B (2), BRACKET 136878-01-CHT (2).
- 6. VENT PIPE MUST PROJECT 51 MIN AND 64 MAX ABOVE ROOF FOR PROPER FIT AND FUNCTION.
- 5. SEAL AROUND SHOWER WITH SILICONE.
- 4. ALL EXTERIOR OPENINGS AROUND PIPE TO BE SEALED WITH 131264-03-000.
- 3. ALL PIPE AND FITTINGS TO BE ASSEMBLED WITH SOLVENT 4020-01-000 (USA), 4020-02-000 (CAN)
- 2. SLOPE OF TRAP ARM MUST BE 6 PER 305 mm.
- 1. SLOPE OF HORIZONTAL PIPING TO BE MINIMUM OF 3 PER 305 mm.

NOTES:

(265) CODES/STDS-CSA/CMVSS
(1B1) CODES/STANDARDS-USA

WINNEBAGO		COPYRIGHT 2008 WINNEBAGO INDUSTRIES, INC.	
DFTR	ORIG. DATE	ALL DIMENSIONS ARE IN MILLIMETERS	
CHKR		FIRST USED	
P.E.		08 E33T	
M.E.		UNSPECIFIED TOLERANCES ARE:	
DSNR		MATERIAL:	
		WHOLE DIM (X)	: 3
		ONE-PLACE (X.X)	:
		TWO-PLACE (X.XX)	:
		ANGLE	:
		THIRD ANGLE PROJECTION	
DO NOT SCALE DRAWING			
TITLE: DRAINAGE SYSTEM INSTL			
SHEET 1 OF 3	PART NO	163308	REV
REF:	1 2/14/2008		

(X-X)
FOR
DRAINAGE
CALLOUTS
SEE DWG NO
116229-01-000

SINK-LAVATORY
096927-01-CHT
SEAL
91255-02-000 (A/R)

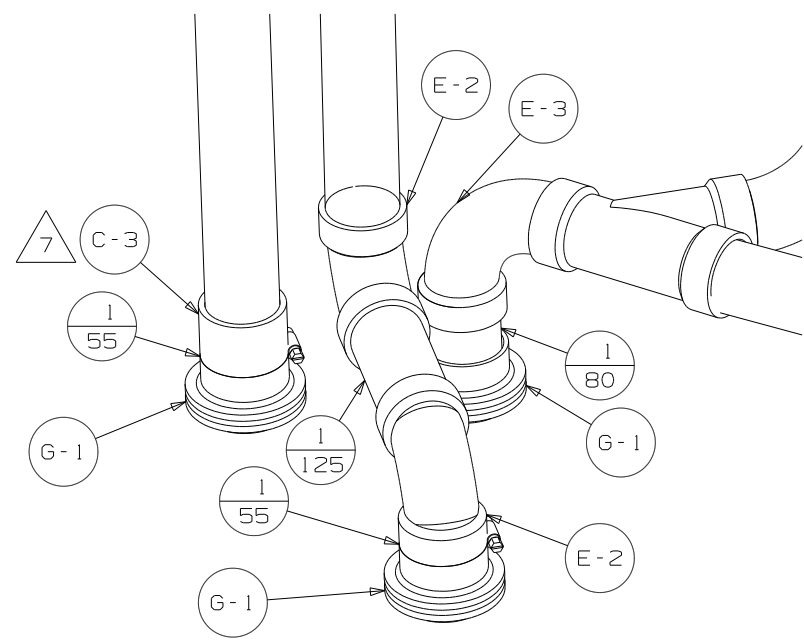
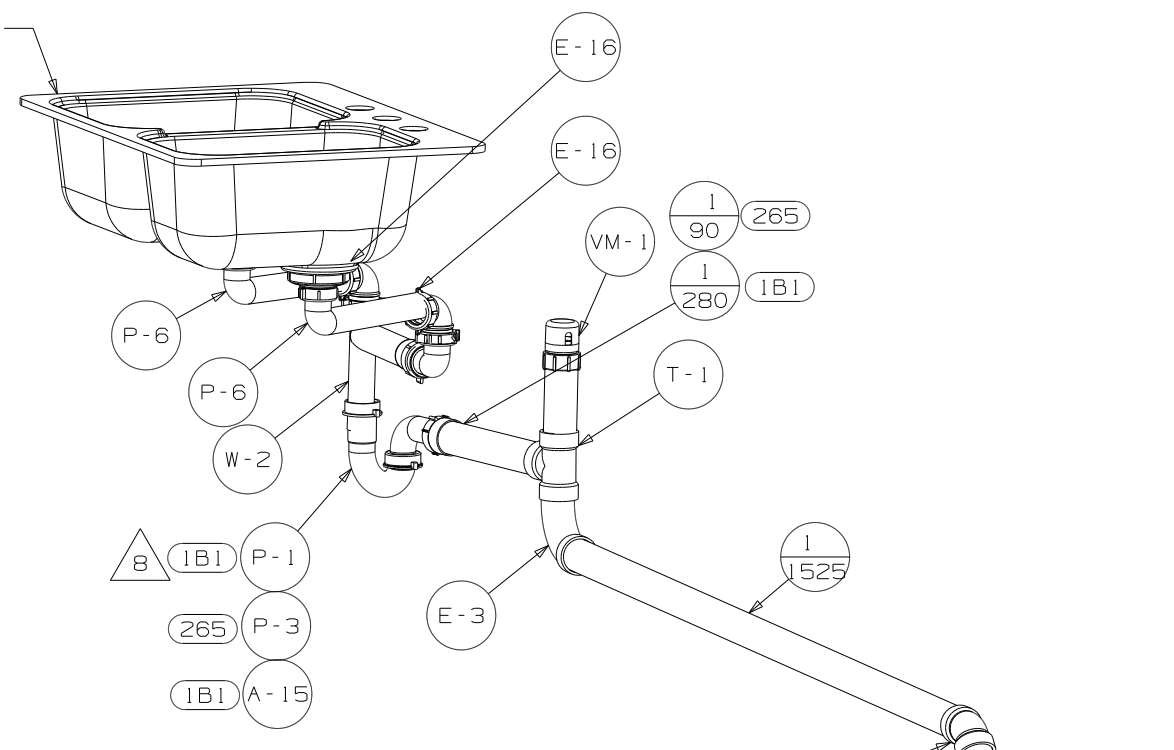
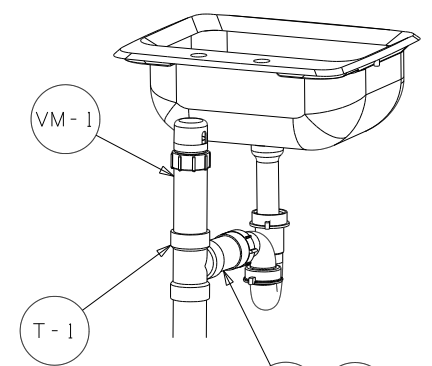
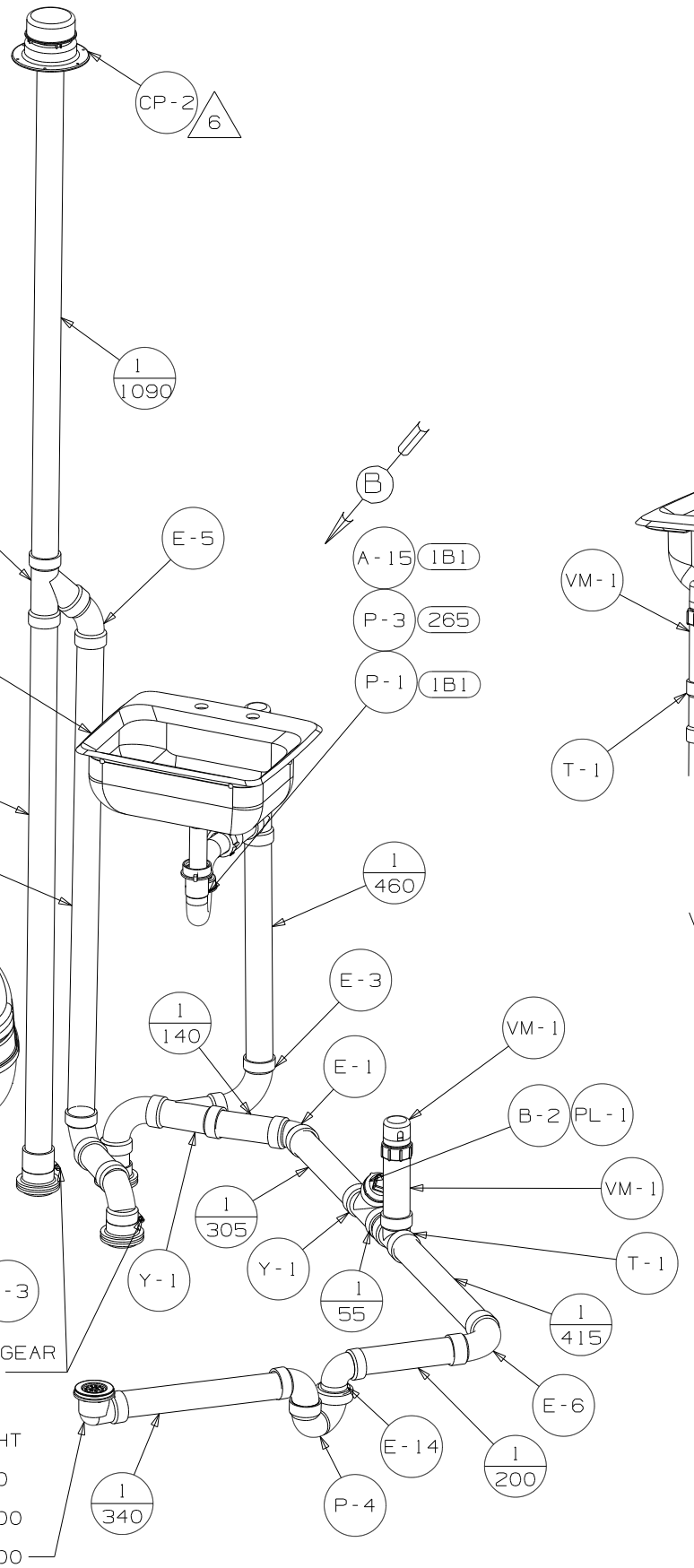
TOILET
147421-04-CHT

ADAPTER-DUCT
143289-01-000

CLAMP-HOSE WORMGEAR
62401-02-000 (2)

SHOWER PAN
152200-03-CHT
SEALANT
84456-01-000
STRAINER
066440-01-000
ELBOW
131486-01-000

SINK-DBL
163942-02-CHT
STRAINER
92303-01-000 (2)
BRACKET & SCREWS
(SUPPLIED W/SINK)



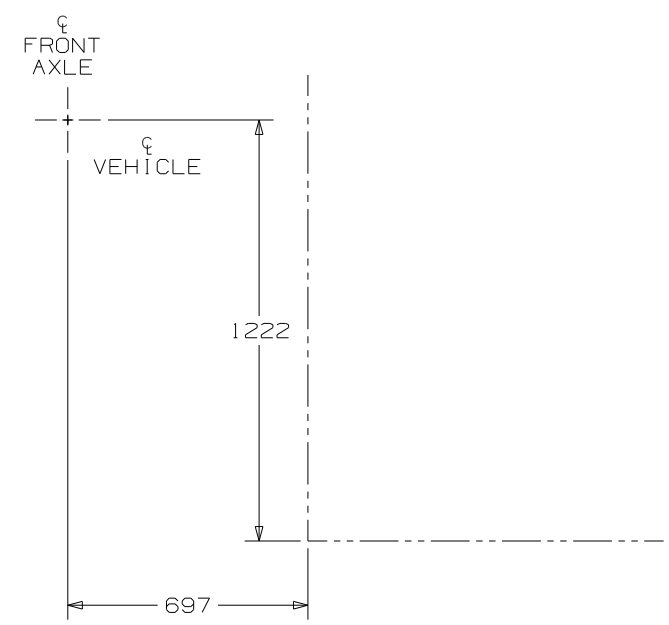
VIEW A

VIEW B

VIEW D

VIEW C

FIRST USED	08 E33T	
TITLE	DO NOT SCALE DRAWING	
	DRAINAGE SYSTEM INSTL	
SHEET 2	PART NO	REV
	163308	



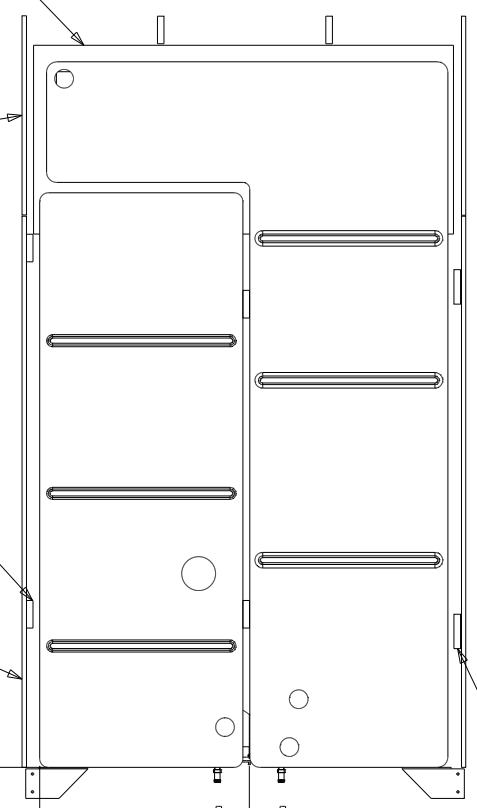
VIEW E

FOAM-SUPPORT, HOLDING TANK
130223-09-000
(1219 X 548 X 56 X 27)

INSULATION-DRAINAGE COMPT
120050-45-000 (2)
(578 X 150 X .5")

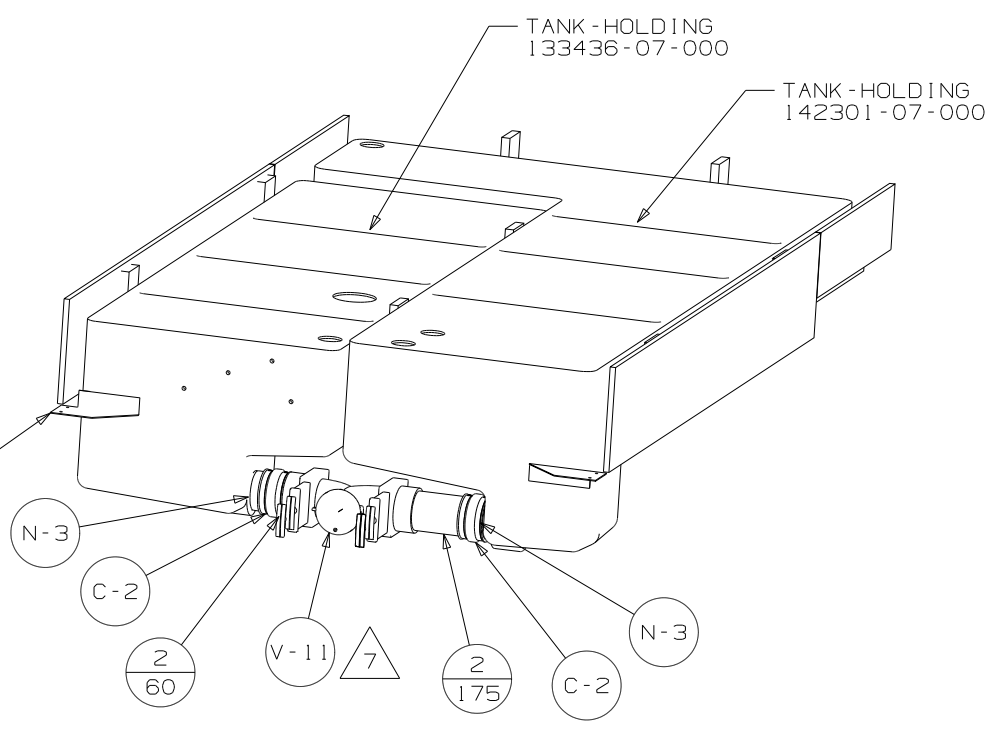
INSULATION-DRAINAGE COMPT
120050-47-000 (6)
(200 X 80 X 1.5")

INSULATION-DRAINAGE COMPT
120050-49-000 (2)
(1600 X 240 X .5")

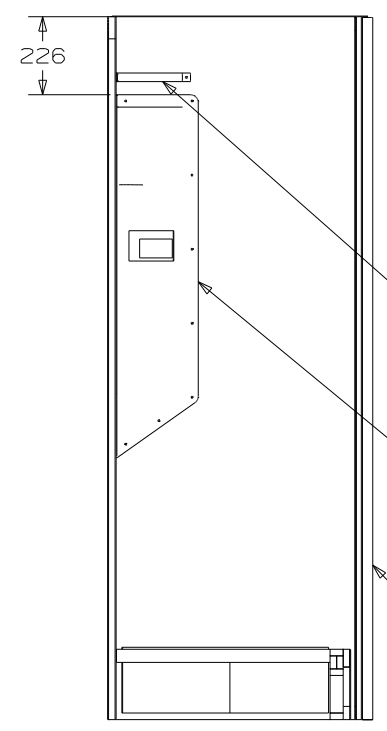


INSULATION-DRAINAGE COMPT
120050-42-000 (2)
(200 X 100 X .75")

BRACKET-TIEDOWN, WATER TANK
139004-01-CHT (2)
SCREW
G39-08-16B (4)



VIEW F



VIEW G

RETAINER-SHELF, SHOWER
113714-02-CHT
SCREW
G11-08-12U (2)
COVER
78500-01-CHT (2)

CADDY-SHOWER
105707-01-CHT
SCREW
G11-08-12U (16)
COVER
166569-01-CHT (16)

FIRST USED	08 E33T	
TITLE	DO NOT SCALE DRAWING	
	DRAINAGE SYSTEM INSTL	
SHEET 3	PART NO	163308
	REV	

8

7

6

5

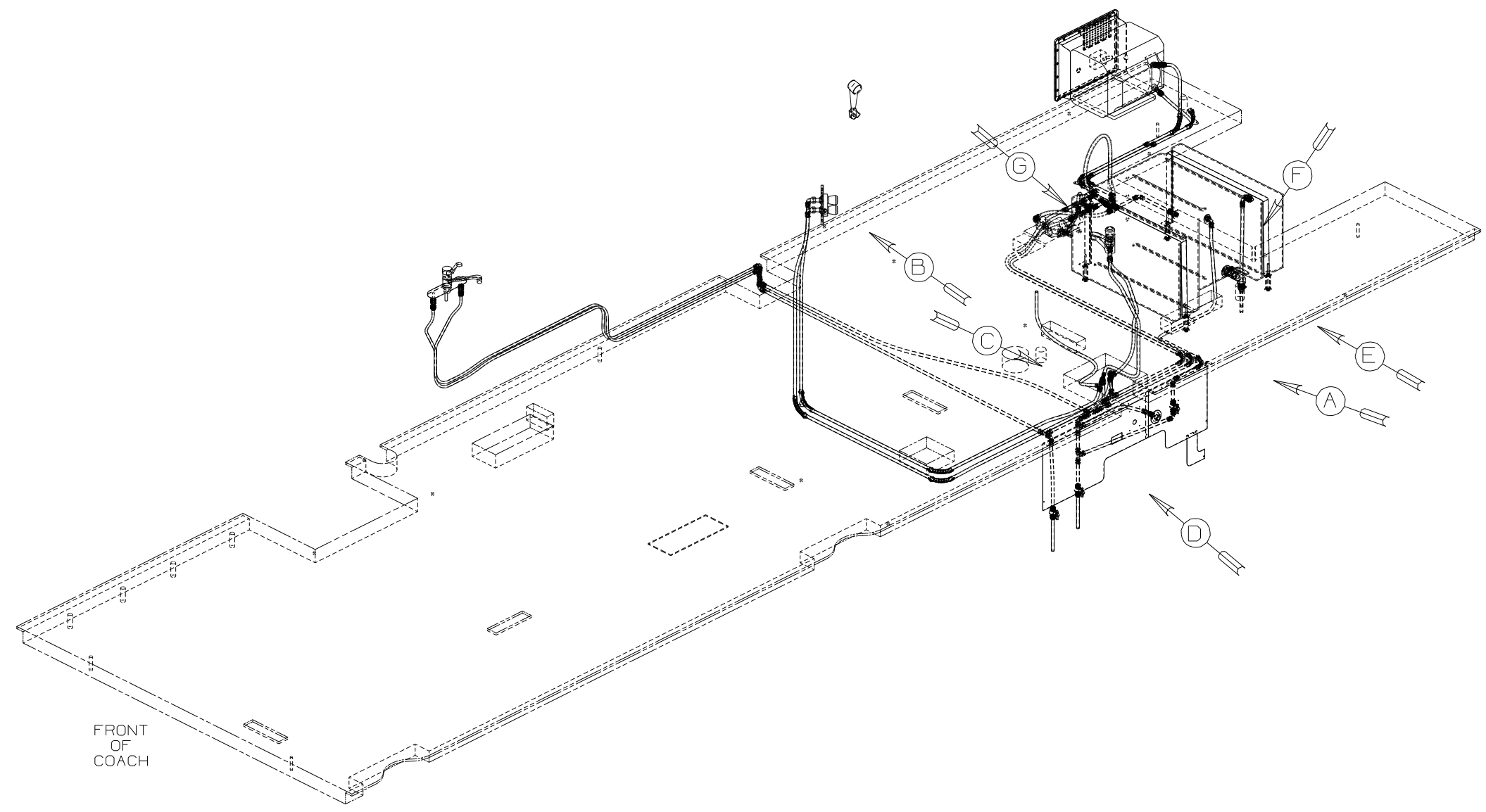
4

3

2

1

RELEASE	REV DATE A	DWG NO 163307
REV ZONE	REVISION RECORD	DATE DFR-016



FRONT
OF
COACH

- 9. TAPE FITTING TO TUBE BEFORE CABINET SET TO PREVENT FITTING FROM MOVING.
 - 8. LABEL HOT AND COLD SUPPLY TUBES.
 - 7. ADD PIPE WRAP (LADDER SCRAP 110157-02-000) INSULATION.
 - 6. ADD TEFLON TAPE 10405-03-000.
 - 5. ADD TEFLON TAPE 10405-02-000.
 - 4. ADD TEFLON TAPE 10405-01-000.
3. ALL TUBING TO BE SECURED AT 1200 INTERVALS MAXIMUM WITH CLAMP 10495-01-000 AND SCREW G67-10-12B OR EQUIVALENT.
 2. TUBING TO BE INSTALLED WITH SUFFICIENT SLOPE TO PROVIDE DRAINAGE TO NEAREST VALVE.
 1. PLASTIC FITTINGS TO BE SEALED WITH SEALANT 84456-01-000.

NOTES:

53F WATER HEATER-ELEC.IGNITION

WINNEBAGO		COPYRIGHT 2007 WINNEBAGO INDUSTRIES, INC.	
DFTR	ORIG. DATE	ALL DIMENSIONS ARE IN MILLIMETERS	
CHKR		FIRST USED	
P.E.		08 E33T	
M.E.		UNSPECIFIED TOLERANCES ARE:	
DSNR		MATERIAL:	
		WHOLE DIM (X) :	3
		ONE-PLACE (X.X) :	
		TWO-PLACE (X.XX) :	
		ANGLE :	
THIRD ANGLE PROJECTION		DO NOT SCALE DRAWING	
TITLE: WATER SYSTEM INSTL			
SHEET 1 OF 4	PART NO	163307	REV
REF:	1 5/21/2007		

FOR
WATER
CALLOUTS
SEE DWG NO
116230-01-000



8

7

6

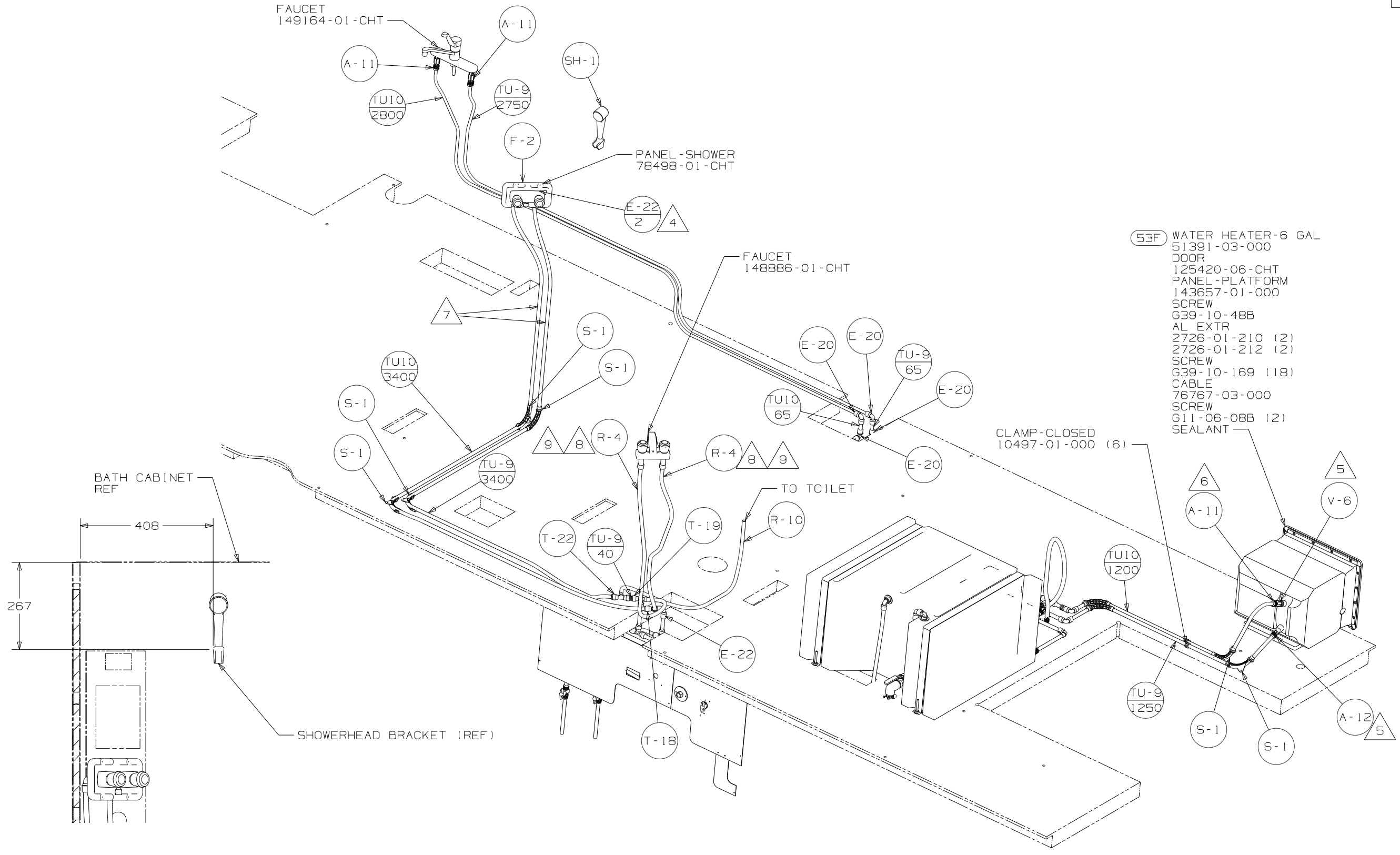
5

4

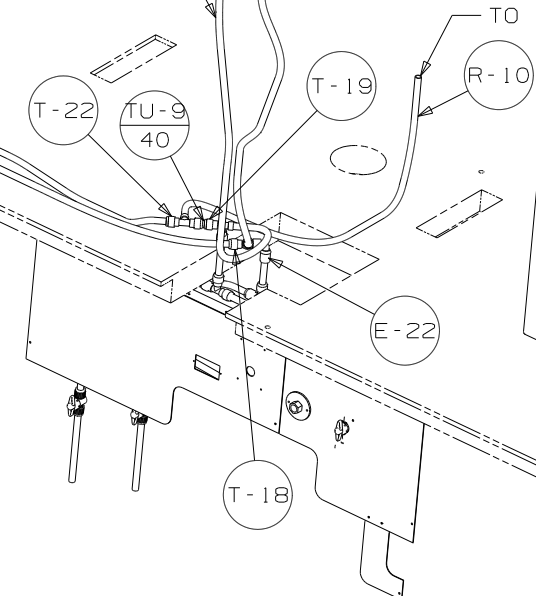
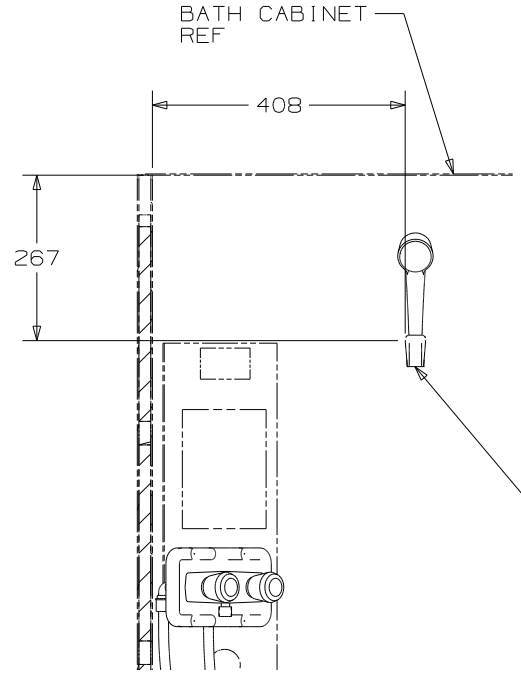
3

2

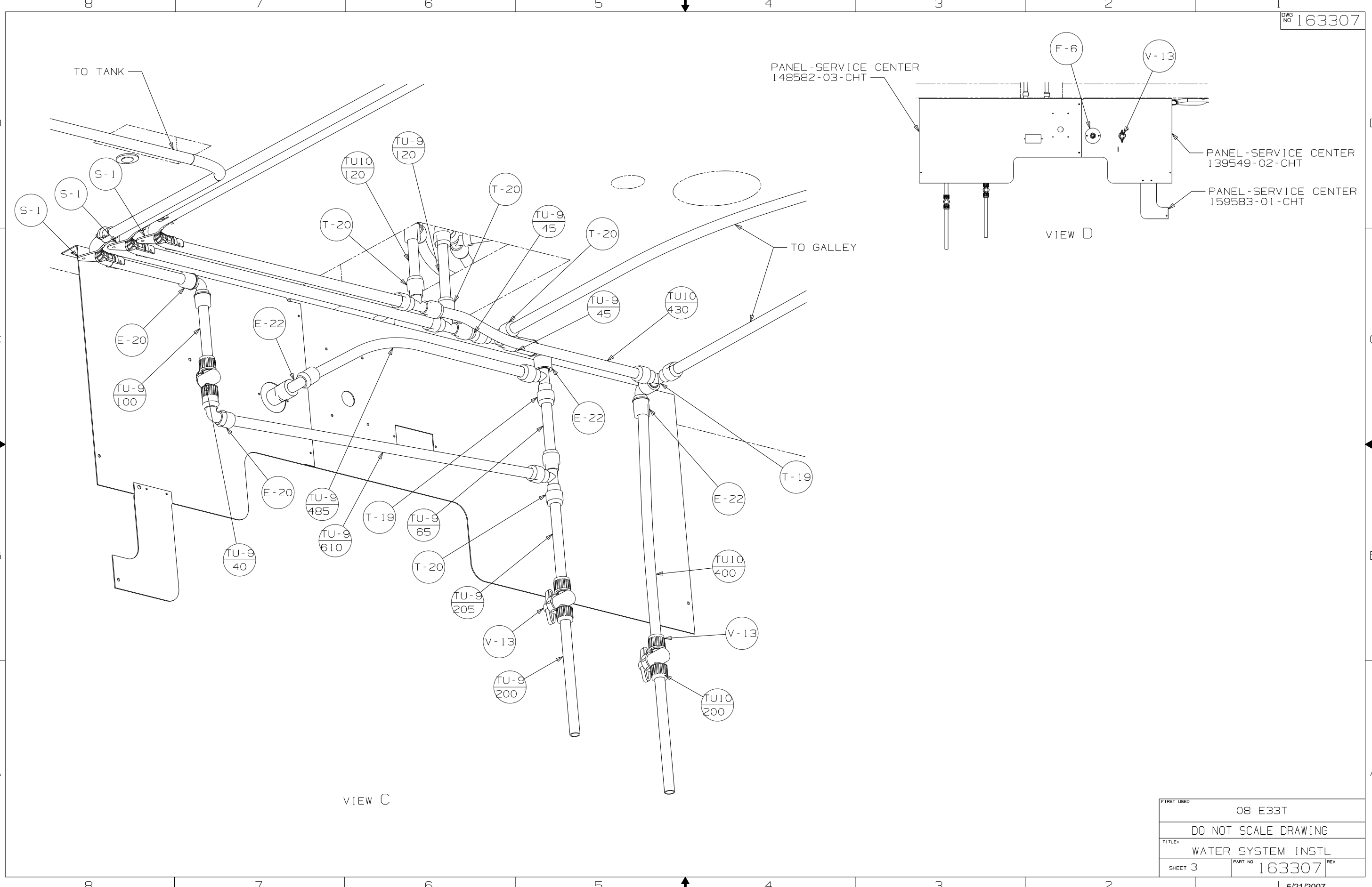
1



- (53F) WATER HEATER-6 GAL
- 51391-03-000
- DOOR
- 125420-06-CHT
- PANEL-PLATFORM
- 143657-01-000
- SCREW
- G39-10-48B
- AL EXTR
- 2726-01-210 (2)
- 2726-01-212 (2)
- SCREW
- G39-10-169 (18)
- CABLE
- 76767-03-000
- SCREW
- G11-06-08B (2)
- SEALANT



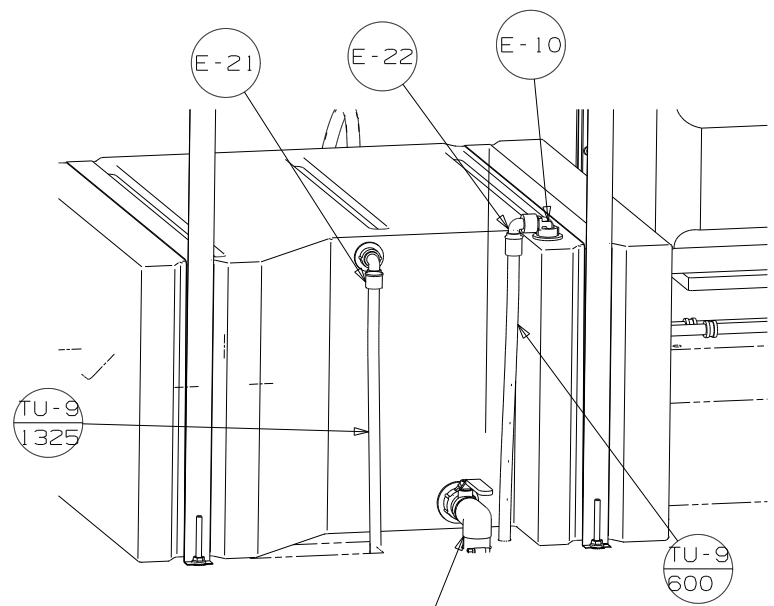
FIRST USED	08 E33T		
TITLE:	DO NOT SCALE DRAWING		
	WATER SYSTEM INSTL		
SHEET 2	PART NO	163307	REV



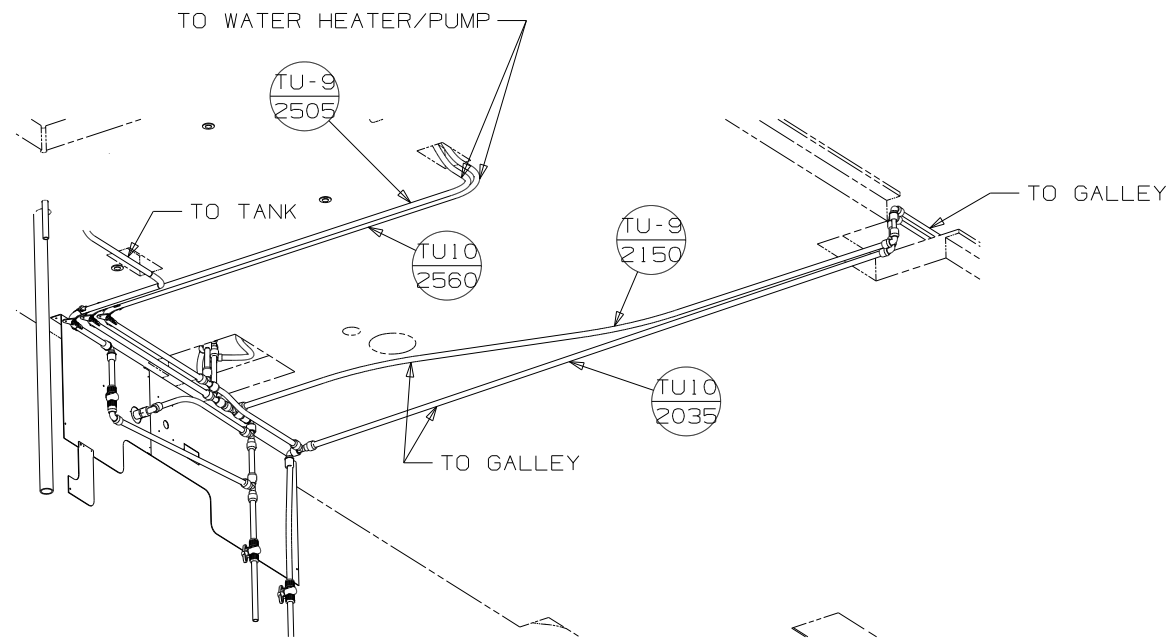
VIEW C

VIEW D

FIRST USED	08 E33T		
TITLE:	DO NOT SCALE DRAWING		
SHEET 3	PART NO	163307	REV
			1 5/21/2007

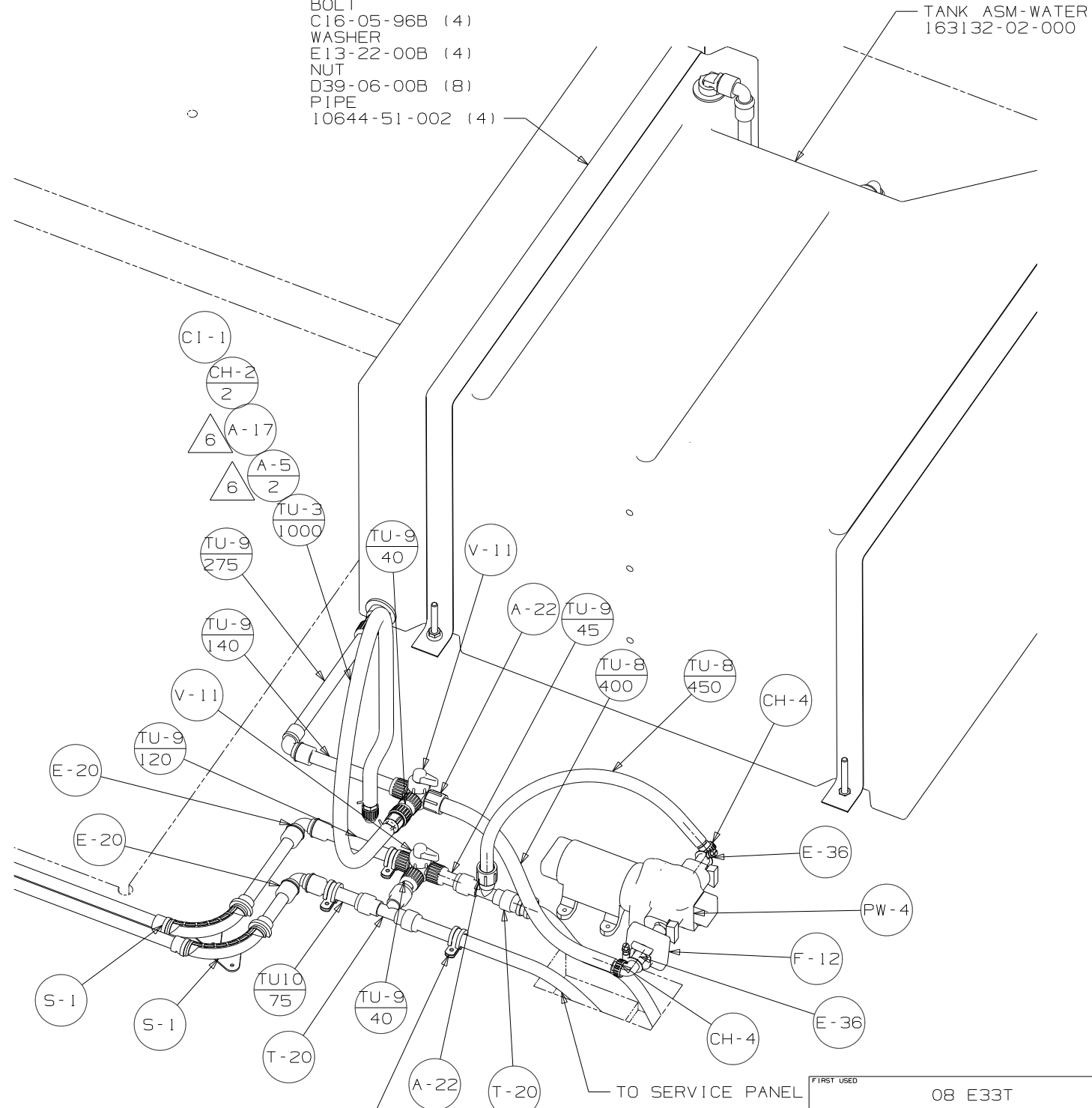


VIEW E



VIEW F

- STRAP-TANK, WATER 118994-14-CHT (2)
- BOLT C16-05-96B (4)
- WASHER E13-22-00B (4)
- NUT D39-06-00B (8)
- PIPE 10644-51-002 (4)



VIEW G

- CLAMP-CLOSED 10497-01-000 (4)

FIRST USED	08 E33T
DO NOT SCALE DRAWING	
TITLE:	WATER SYSTEM INSTL
SHEET 4	PART NO 163307