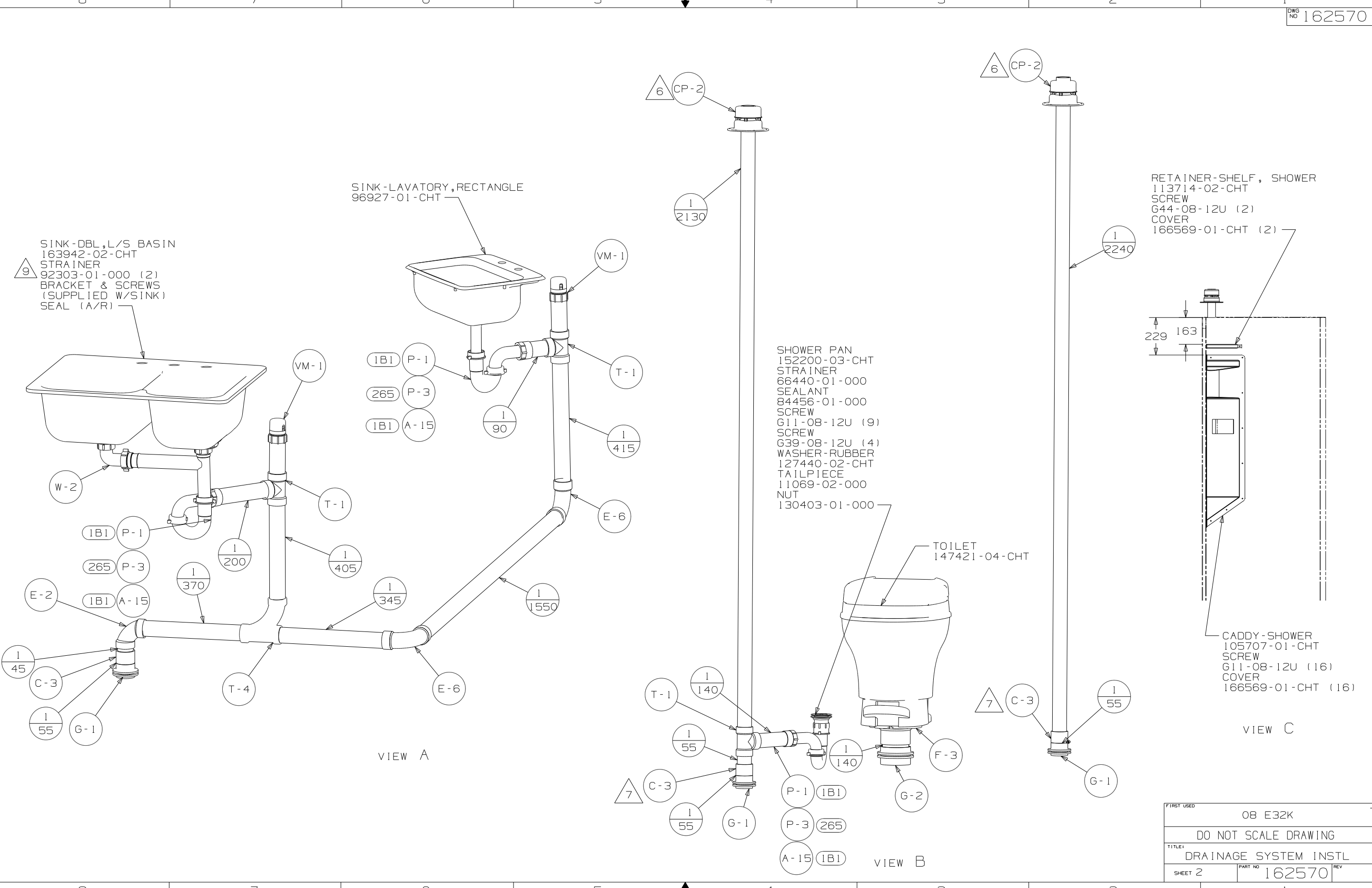


- 9. USE SMOOTH PLUMBERS PUTTY 167459-01-000 TO SEAL STRAINER (2).
- 8. SECURE DRAINAGE PIPES TO CABINET USING WIRE TIE 108046-02-000, AND SCREW G67-10-12B AT INTERVALS OF NOT MORE THAN 4 FEET APART.
- 7. SECURE VENT PIPE TO FLOOR WITH CLAMP 62401-02-000 (2), SCREW G67-10-12B (2), BRACKET 136878-01-CHT (2).
- 6. VENT PIPE MUST PROJECT 51 MIN AND 64 MAX ABOVE ROOF FOR PROPER FIT AND FUNCTION.
- 5. SEAL AROUND SHOWER WITH SILICONE.
- 4. ALL EXTERIOR OPENINGS AROUND PIPE TO BE SEALED WITH 131264-03-000.
- 3. ALL PIPE AND FITTINGS TO BE ASSEMBLED WITH SOLVENT 4020-01-000 (USA), 4020-02-000 (CAN)
- 2. SLOPE OF TRAP ARM MUST BE 6 PER 305 mm.
- 1. SLOPE OF HORIZONTAL PIPING TO BE MINIMUM OF 3 PER 305 mm.

NOTES:

		COPYRIGHT 2008 WINNEBAGO INDUSTRIES, INC.
DFT	ORIG. DATE	
CHKR	ALL DIMENSIONS ARE IN MILLIMETERS	
P.E.		
M.E.	FIRST USED	
DSNR	08 E32K	
UNSPECIFIED TOLERANCES ARE:		MATERIAL:
WHOLE DIM (X)	: 3	
ONE-PLACE (X.X)	: 1.5	
TWO-PLACE (X.XX)	: 0.50	
ANGLE	: 1°	
THIRD ANGLE PROJECTION		
DO NOT SCALE DRAWING		
TITLE: DRAINAGE SYSTEM INSTL		
SHEET 1 OF 3	PART NO	REV
	162570	
REF:	1 4/4/2008	

FOR DRAINAGE CALLOUTS SEE DWG NO 116229-01-000



SINK-DBL, L/S BASIN  
163942-02-CHT  
STRAINER  
92303-01-000 (2)  
BRACKET & SCREWS  
(SUPPLIED W/SINK)  
SEAL (A/R)

SINK-LAVATORY, RECTANGLE  
96927-01-CHT

SHOWER PAN  
152200-03-CHT  
STRAINER  
66440-01-000  
SEALANT  
84456-01-000  
SCREW  
G11-08-12U (9)  
SCREW  
G39-08-12U (4)  
WASHER-RUBBER  
127440-02-CHT  
TAILPIECE  
11069-02-000  
NUT  
130403-01-000

TOILET  
147421-04-CHT

RETAINER-SHELF, SHOWER  
113714-02-CHT  
SCREW  
G44-08-12U (2)  
COVER  
166569-01-CHT (2)

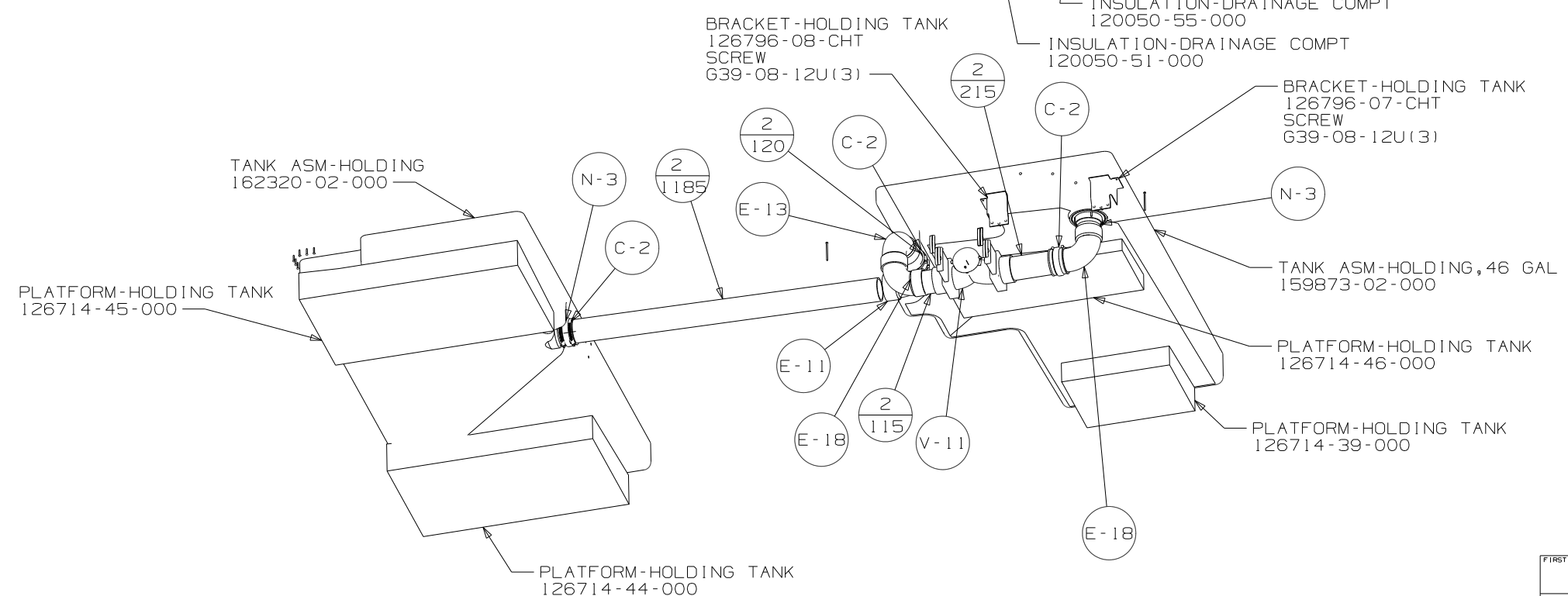
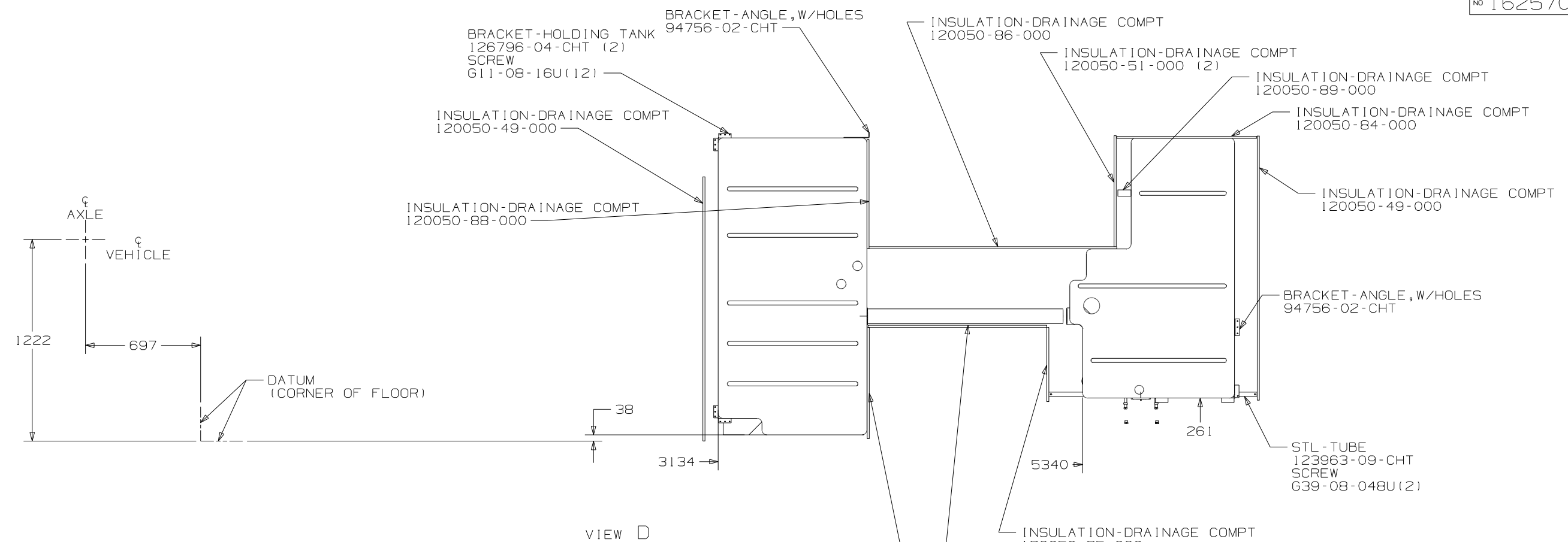
CADDY-SHOWER  
105707-01-CHT  
SCREW  
G11-08-12U (16)  
COVER  
166569-01-CHT (16)

VIEW A

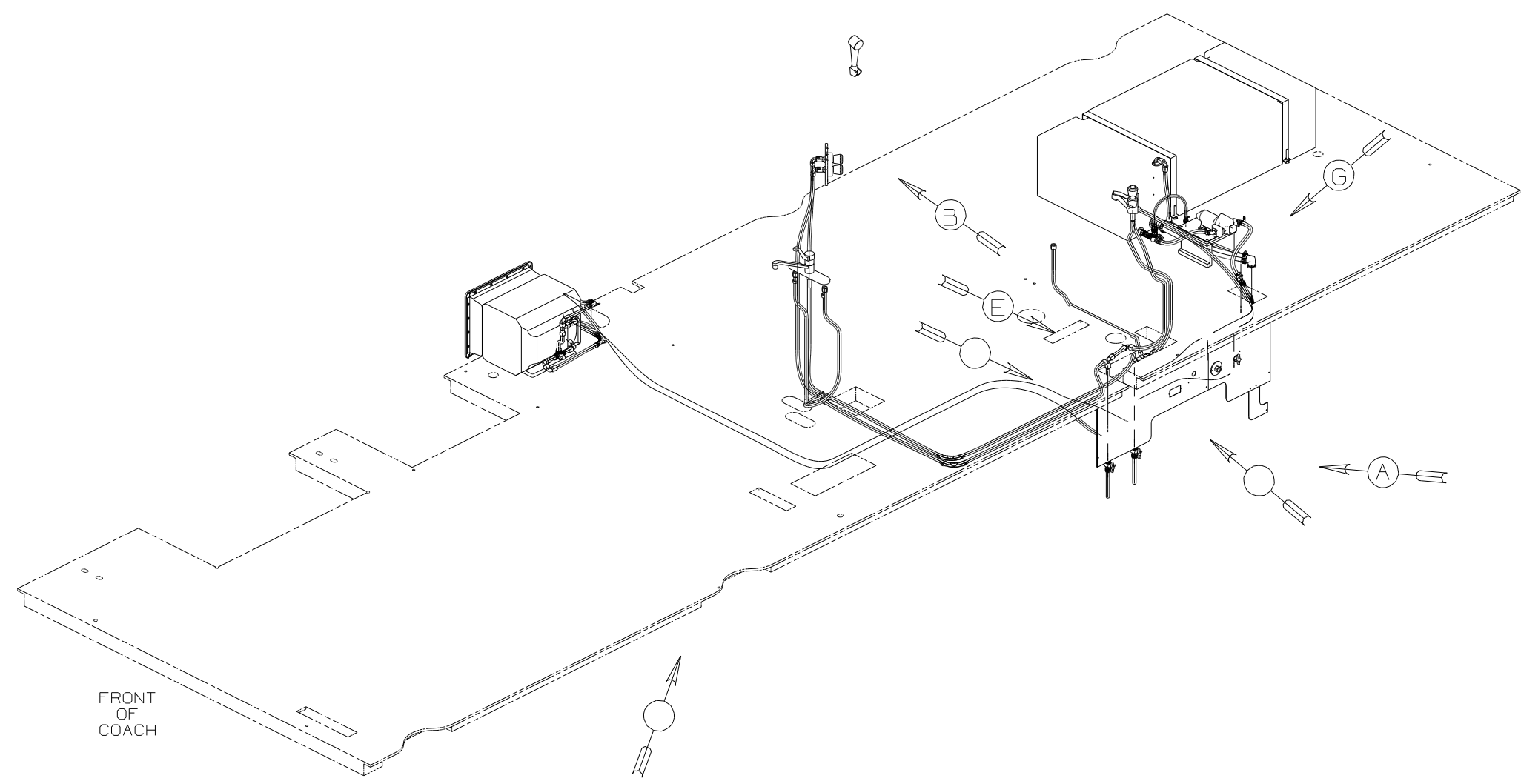
VIEW B

VIEW C

FIRST USED	08 E32K		
DO NOT SCALE DRAWING			
TITLE:	DRAINAGE SYSTEM INSTL		
SHEET 2	PART NO	162570	REV



FIRST USED	08 E32K	
TITLE	DO NOT SCALE DRAWING	
	DRAINAGE SYSTEM INSTL	
SHEET 3	PART NO 162570	REV



FRONT OF COACH

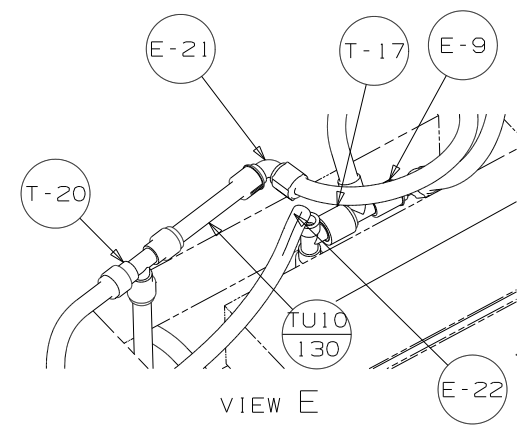
- 9. TAPE FITTING TO TUBE BEFORE CABINET SET TO PREVENT FITTING FROM MOVING.
  - 8. LABEL HOT AND COLD SUPPLY TUBES.
  - 7. ADD PIPE WRAP (LADDER SCRAP 110157-02-000) INSULATION.
  - 6. ADD TEFLON TAPE 10405-03-000.
  - 5. ADD TEFLON TAPE 10405-02-000.
  - 4. ADD TEFLON TAPE 10405-01-000.
3. ALL TUBING TO BE SECURED AT 1200 INTERVALS MAXIMUM WITH CLAMP 10495-01-000 AND SCREW G67-10-12B OR EQUIVALENT.
  2. TUBING TO BE INSTALLED WITH SUFFICIENT SLOPE TO PROVIDE DRAINAGE TO NEAREST VALVE.
  1. PLASTIC FITTINGS TO BE SEALED WITH SEALANT 84456-01-000.

NOTES:

53F WATER HEATER-ELEC.IGNITION

<b>WINNEBAGO</b>		COPYRIGHT 2008 WINNEBAGO INDUSTRIES, INC.	
DFTR	ORIG. DATE	ALL DIMENSIONS ARE IN MILLIMETERS	
CHKR		FIRST USED	
P.E.		08 E32K	
M.E.		UNSPECIFIED TOLERANCES ARE:	
DSNR		MATERIAL:	
		WHOLE DIM (X) :	3
		ONE-PLACE (X.X) :	
		TWO-PLACE (X.XX) :	
		ANGLE :	
THIRD ANGLE PROJECTION		DO NOT SCALE DRAWING	
TITLE: WATER SYSTEM INSTL			
SHEET 1 OF 4	PART NO	162571	REV
REF:	1 3/19/2008		

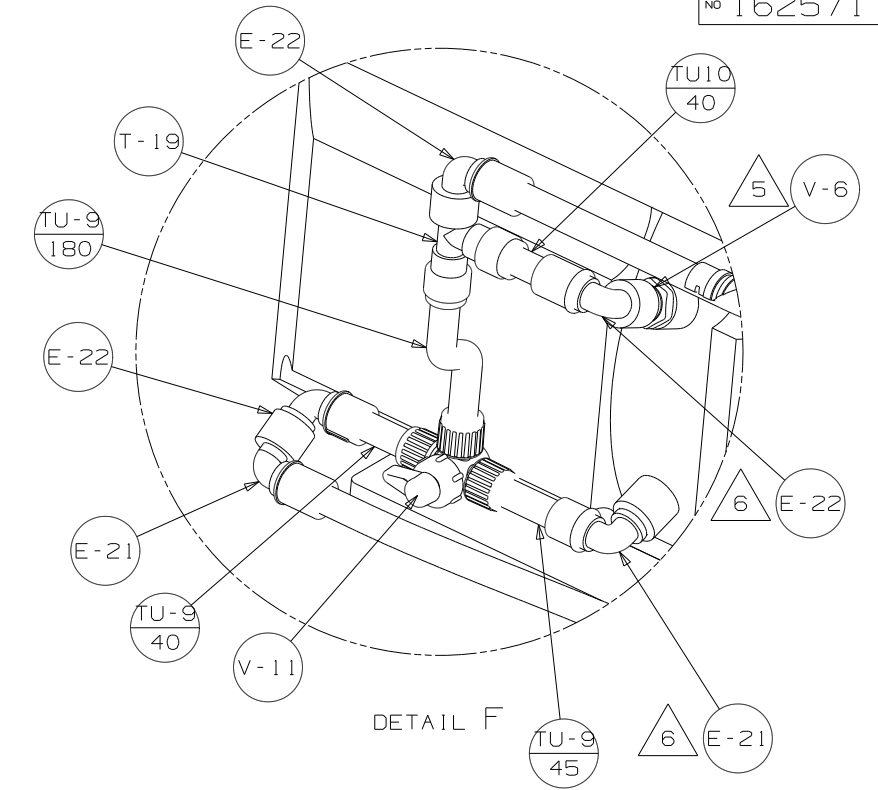
X-X  
FOR  
WATER  
CALLOUTS  
SEE DWG NO  
116230-01-000



FAUCET - SHOWER  
79563-03-CHT  
PANEL - SHOWER, FAUCET  
78498-01-CHT

FAUCET - GALLEY, DUAL  
149164-01-CHT

WATER HEATER-6 GAL (53F)  
51391-03-000  
DOOR  
125420-06-CHT  
PANEL - PLATFORM  
143657-01-000  
SCREW  
G39-10-48B  
AL EXTR  
2726-01-210 (2)  
2726-01-212 (2)  
SCREW  
G39-10-169 (18)  
CABLE  
76767-03-000  
SCREW  
G11-06-08B (2)  
SEALANT

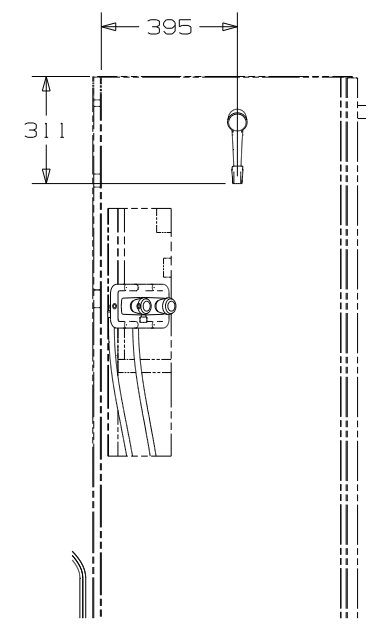
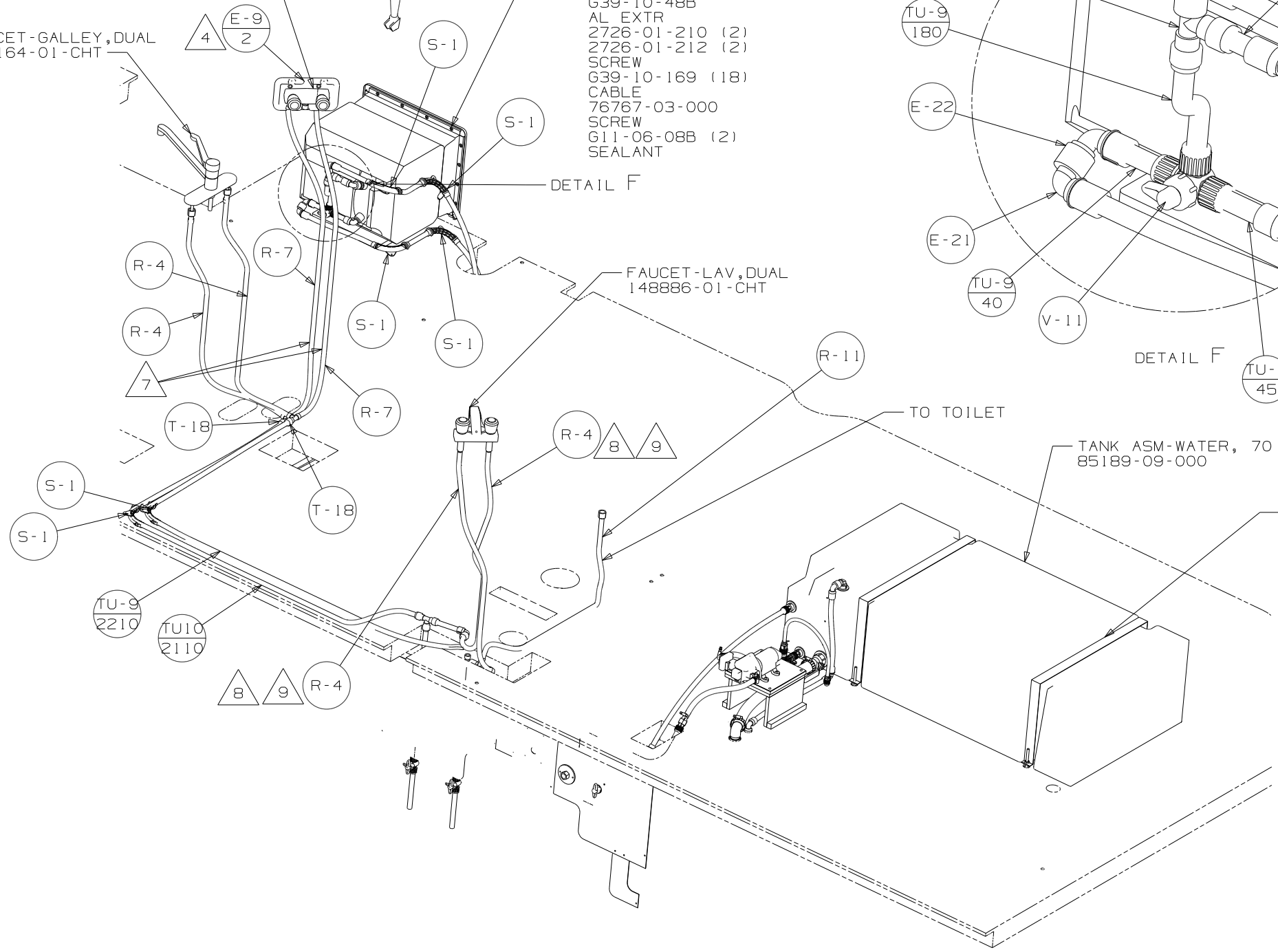


FAUCET - LAV, DUAL  
148886-01-CHT

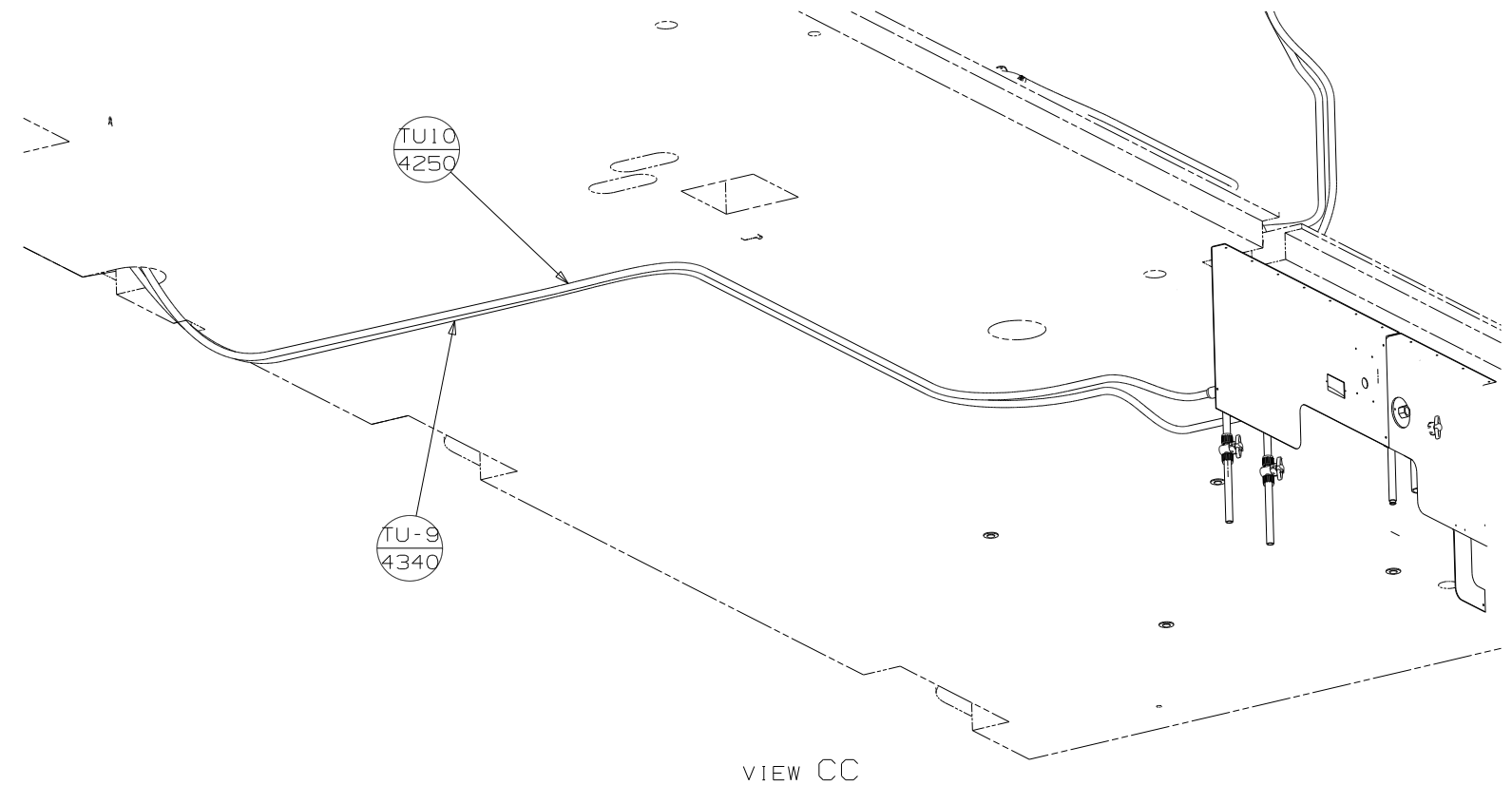
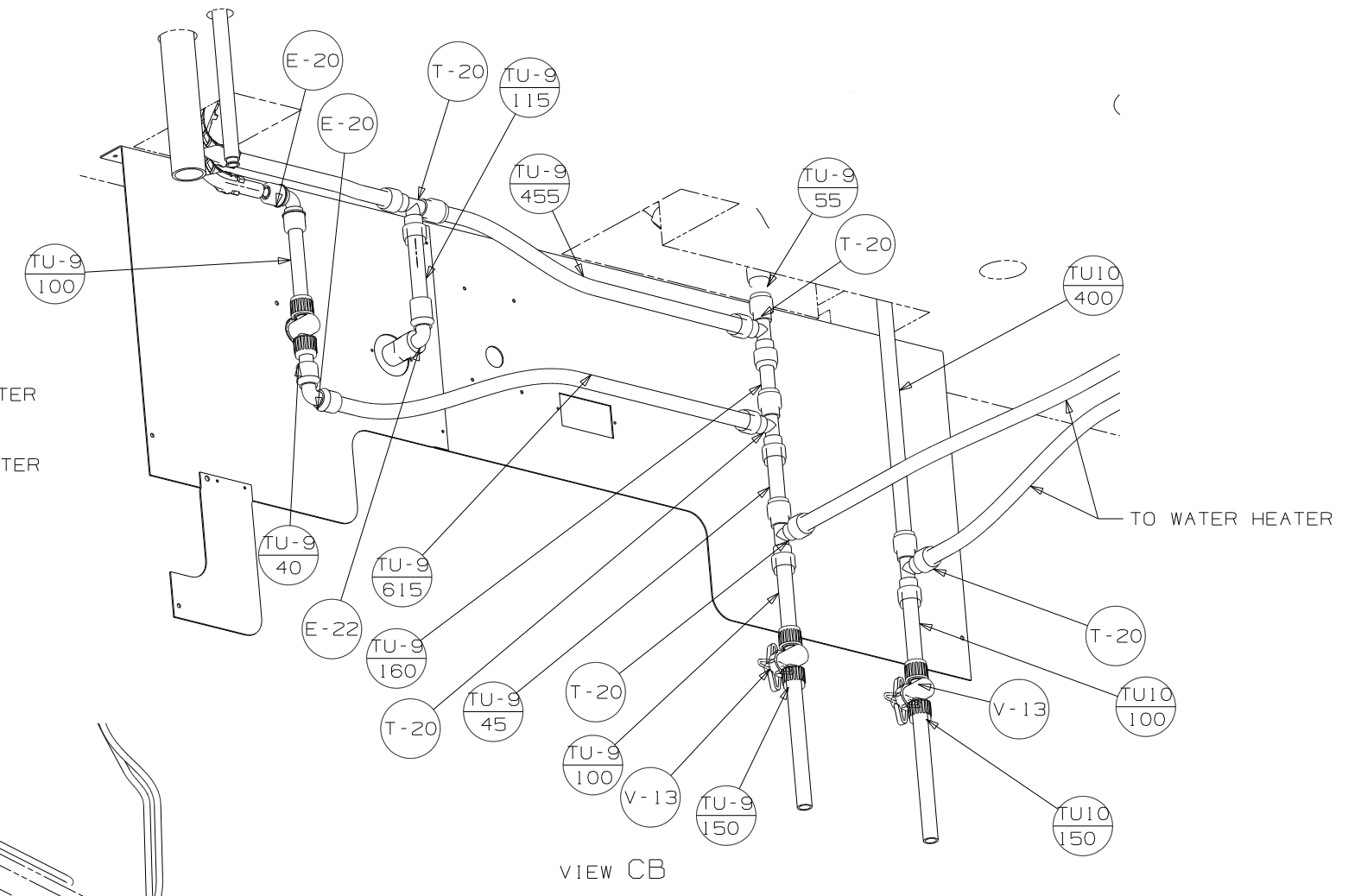
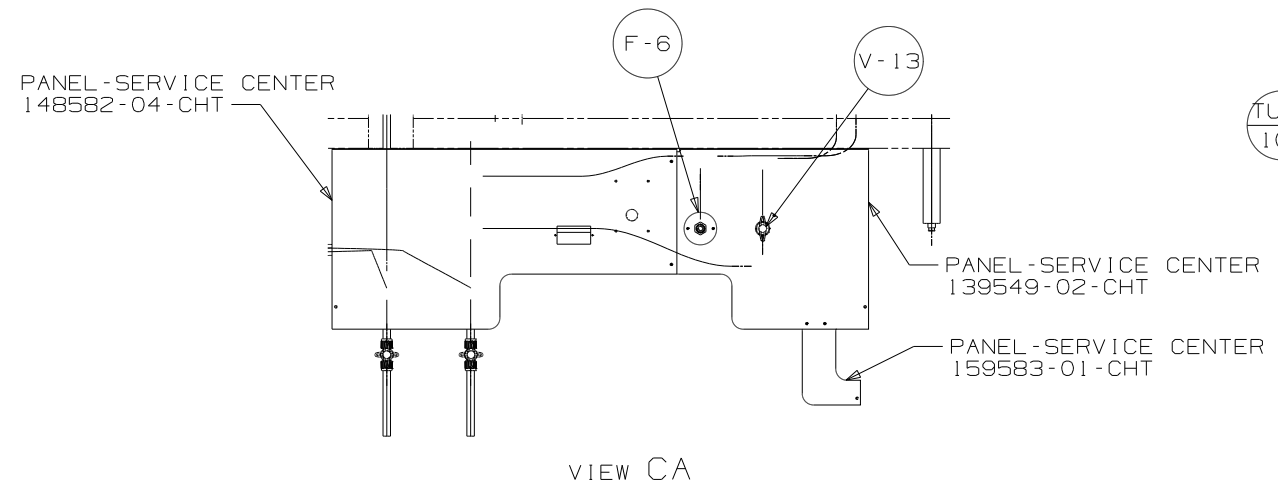
TO TOILET

TANK ASM-WATER, 70 GAL  
85189-09-000

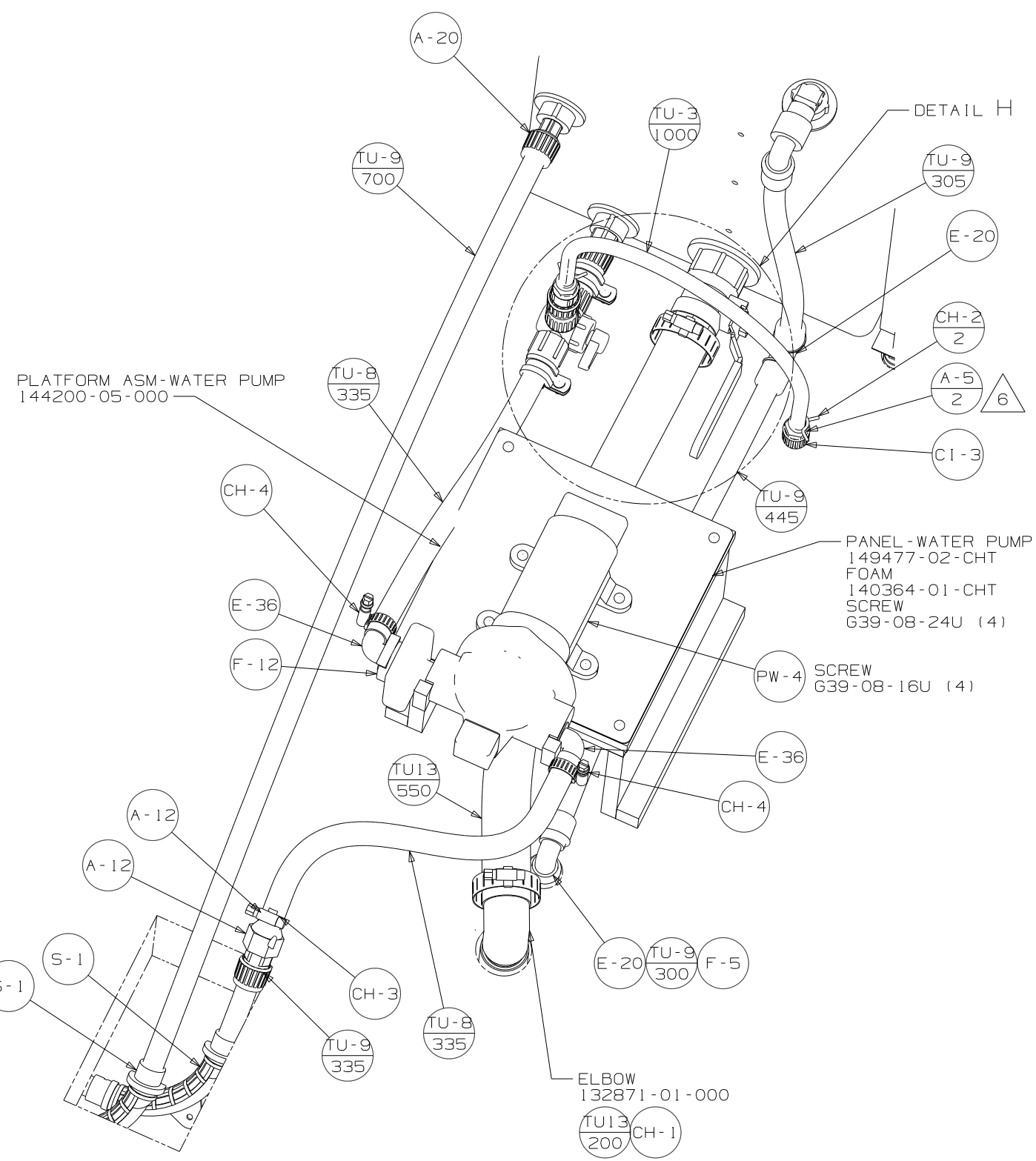
STRAP-TANK, WATER  
118994-10-CHT (2)  
BOLT  
C16-05-96B (4)  
WASHER  
E13-22-00B (4)  
NUT  
D39-06-00B (8)  
PIPE  
10644-51-002 (4)



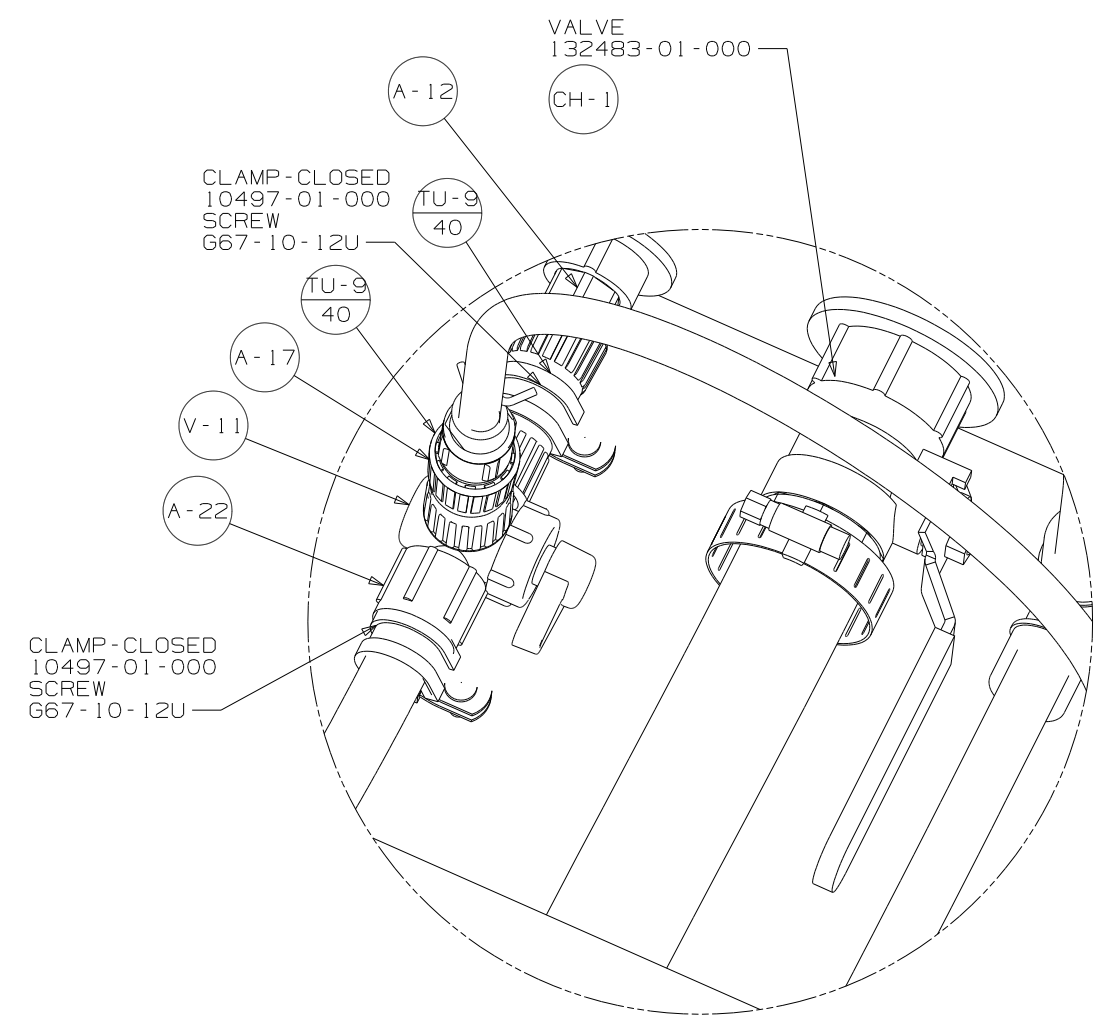
FIRST USED	08 E32K		
TITLE	DO NOT SCALE DRAWING		
	WATER SYSTEM INSTL		
SHEET 2	PART NO	162571	REV



FIRST USED	08 E32K		
TITLE	DO NOT SCALE DRAWING		
TITLE	WATER SYSTEM INSTL		
SHEET 3	PART NO	162571	REV



VIEW G



DETAIL H

FIRST USED	08 E32K		
TITLE	DO NOT SCALE DRAWING		
	WATER SYSTEM INSTL		
SHEET 4	PART NO	162571	REV