

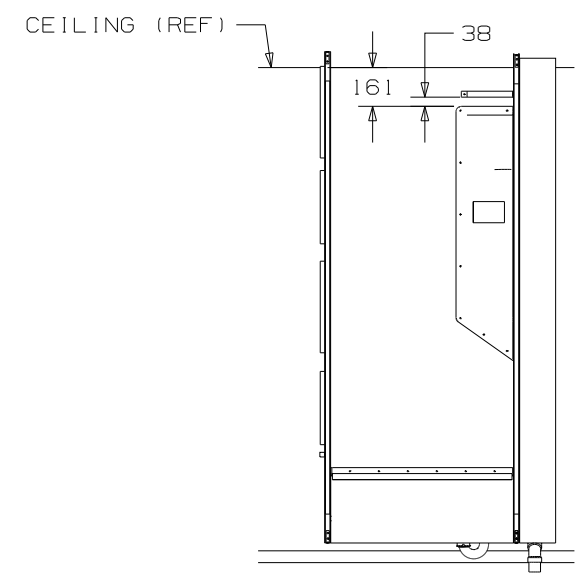
- 9. USE SMOOTH PLUMBERS PUTTY 167459-01-000 TO SEAL STRAINER (QTY 2).
- 8. SECURE DRAINAGE PIPES TO CABINET USING WIRE TIE 108046-02-000, AND SCREW G67-10-12B AT INTERVALS OF NOT MORE THAN 4 FEET APART.
- 7. SECURE VENT PIPE TO FLOOR WITH CLAMP 62401-02-000 (2), SCREW G67-10-12B (2), BRACKET 136878-01-CHT (2).
- 6. VENT PIPE MUST PROJECT 51 MIN AND 64 MAX ABOVE ROOF FOR PROPER FIT AND FUNCTION.
- 5. SEAL AROUND SHOWER WITH SILICONE.
- 4. ALL EXTERIOR OPENINGS AROUND PIPE TO BE SEALED WITH 131264-03-000.
- 3. ALL PIPE AND FITTINGS TO BE ASSEMBLED WITH SOLVENT 4020-01-000 (USA), 4020-02-000 (CAN)
- 2. SLOPE OF TRAP ARM MUST BE 6 PER 305 mm.
- 1. SLOPE OF HORIZONTAL PIPING TO BE MINIMUM OF 3 PER 305 mm.

NOTES:

(265) CODES/STDS-CSA/CMVSS  
 (1B1) CODES/STANDARDS-USA

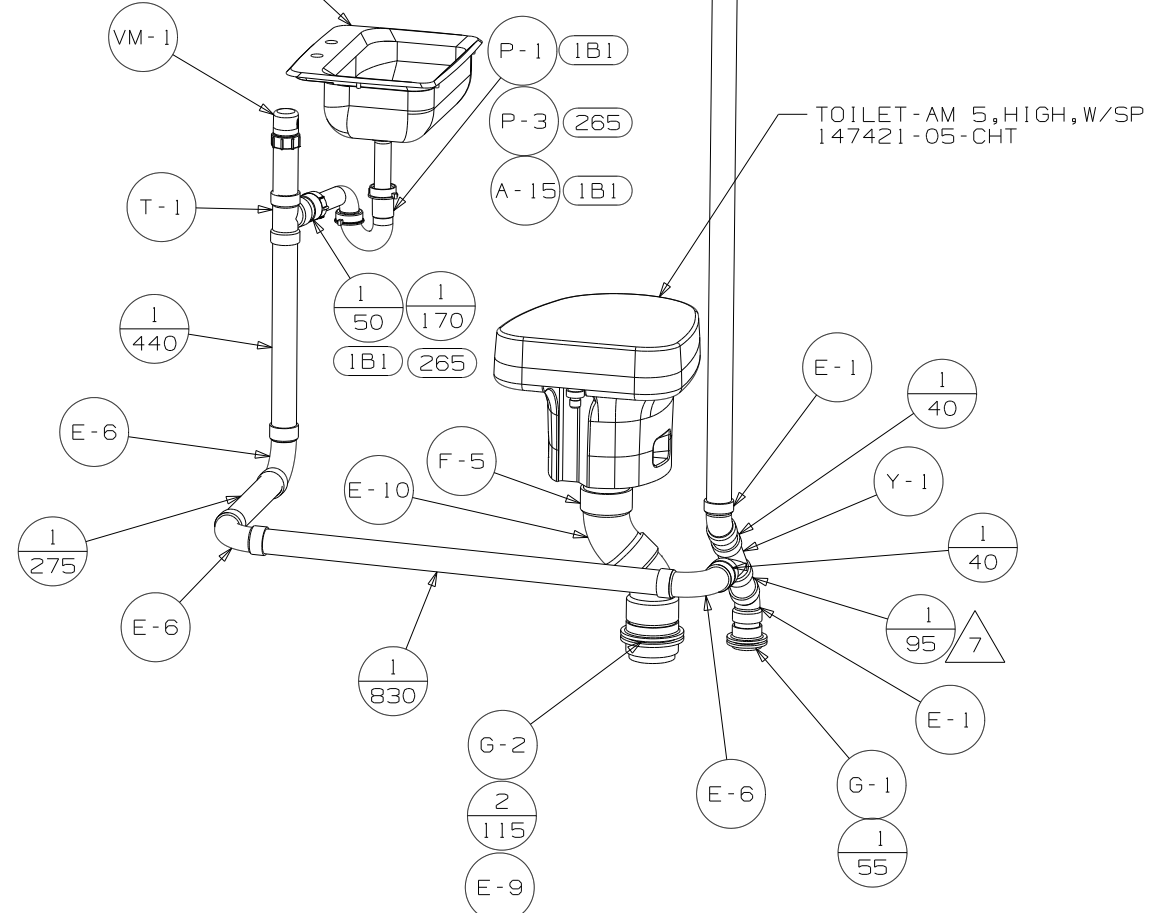
<b>WINNEBAGO</b>		COPYRIGHT 2008 WINNEBAGO INDUSTRIES, INC.	
DFTF	ORIG. DATE	ALL DIMENSIONS ARE IN MILLIMETERS	
CHKR		FIRST USED	
P.E.		08 E30B	
M.E.		UNSPECIFIED TOLERANCES ARE:	
DSNR		MATERIAL:	
		WHOLE DIM (X) :	3
		ONE-PLACE (X.X) :	
		TWO-PLACE (X.XX) :	
		ANGLE :	
		THIRD ANGLE PROJECTION	
DO NOT SCALE DRAWING			
TITLE: DRAINAGE SYSTEM INSTL			
SHEET 1 OF 3	PART NO	163081	REV

(X-X)  
 FOR  
 DRAINAGE  
 CALLOUTS  
 SEE DWG NO  
 116229-01-000



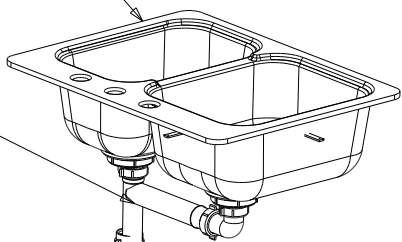
VIEW E

SINK-LAVATORY  
 96927-01-CHT  
 SEAL  
 91255-02-000 (A/R)

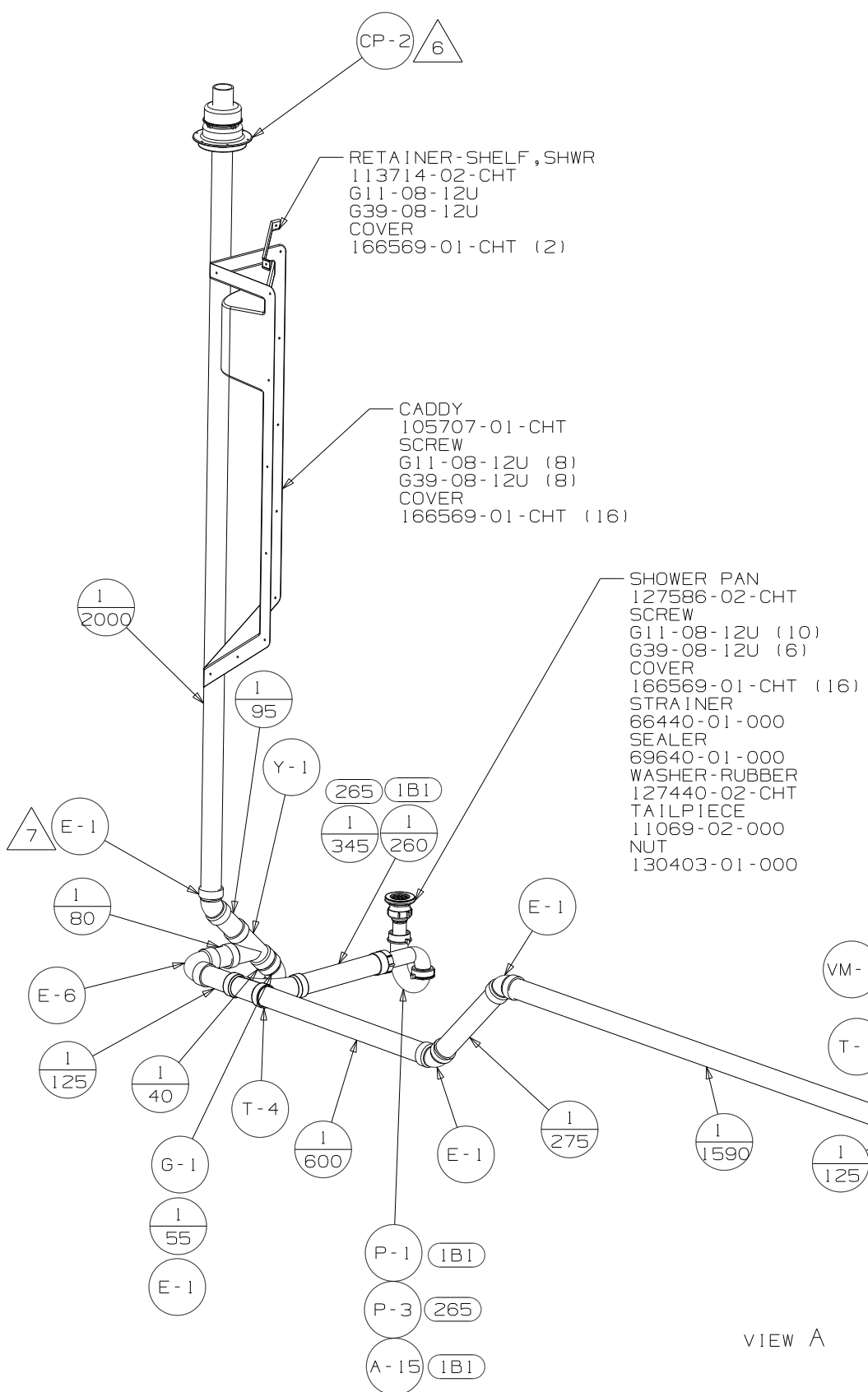


VIEW B

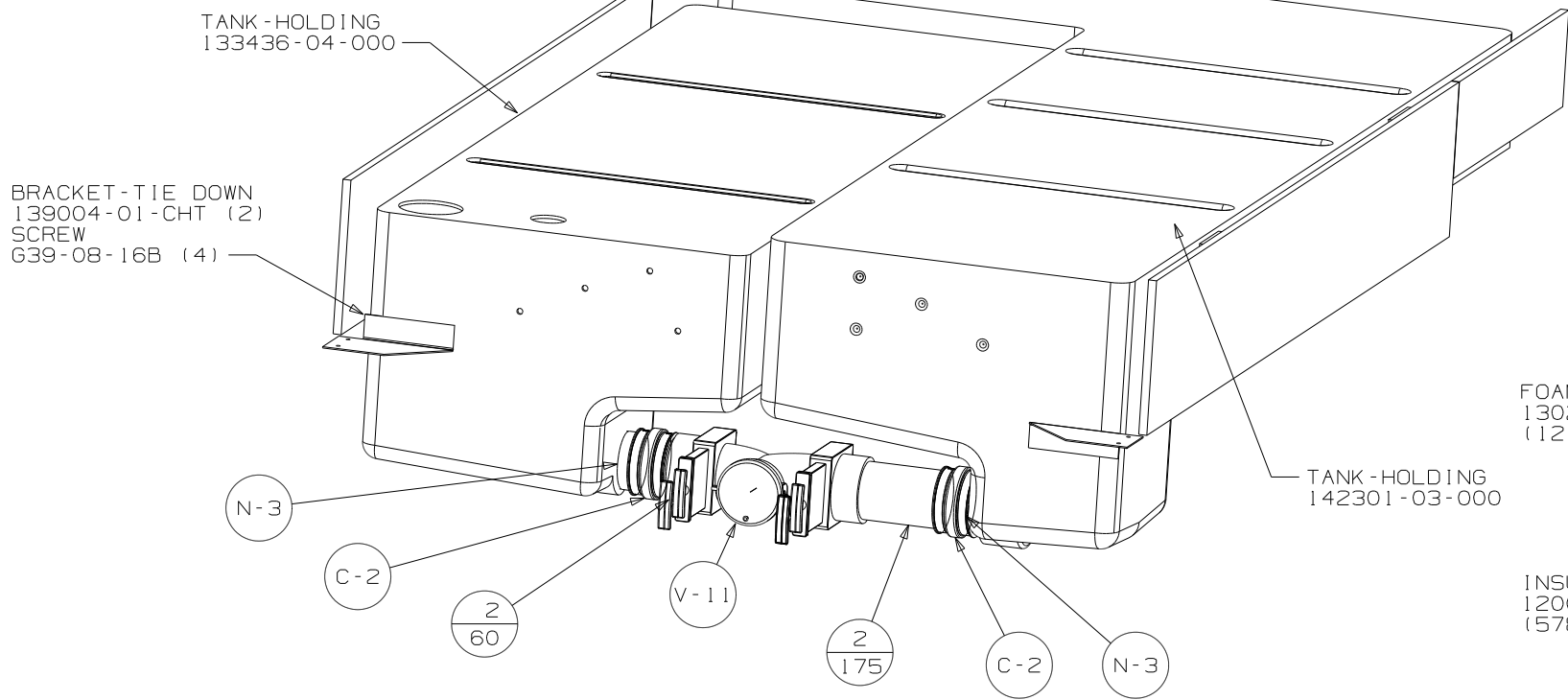
SINK-SMC, DBL L/S BASIN  
 163942-02-CHT (US/CAN) 9  
 STRAINER  
 92303-01-000 (2)  
 BRACKET & SCREWS  
 (INCLUDED WITH SINK)  
 SEAL  
 (A/R)



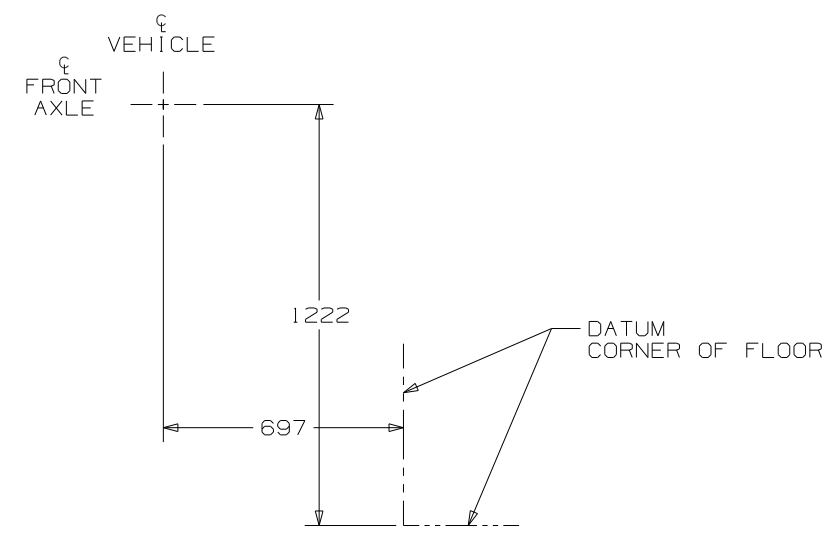
VIEW A



FIRST USED	08 E30B		
TITLE	DO NOT SCALE DRAWING		
	DRAINAGE SYSTEM INSTL		
SHEET 2	PART NO	163081	REV



VIEW C



VIEW D

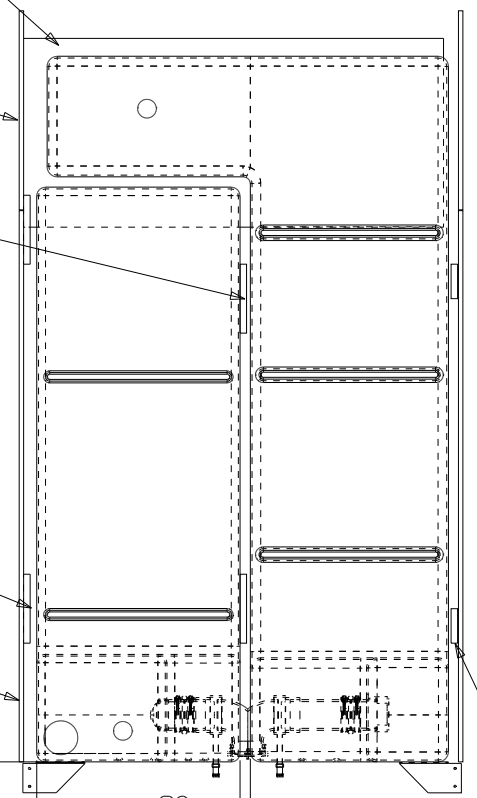
FOAM-SUPPORT, HOLDING TANK  
130223-09-000  
(1219 X 548 X 75 X 46)

INSULATION-DRAINAGE COMPT  
120050-45-000 (2)  
(578 X 150 X .5")

INSULATION-DRAINAGE COMPT  
120050-47-000 (2)  
(200 X 80 X 1.5")

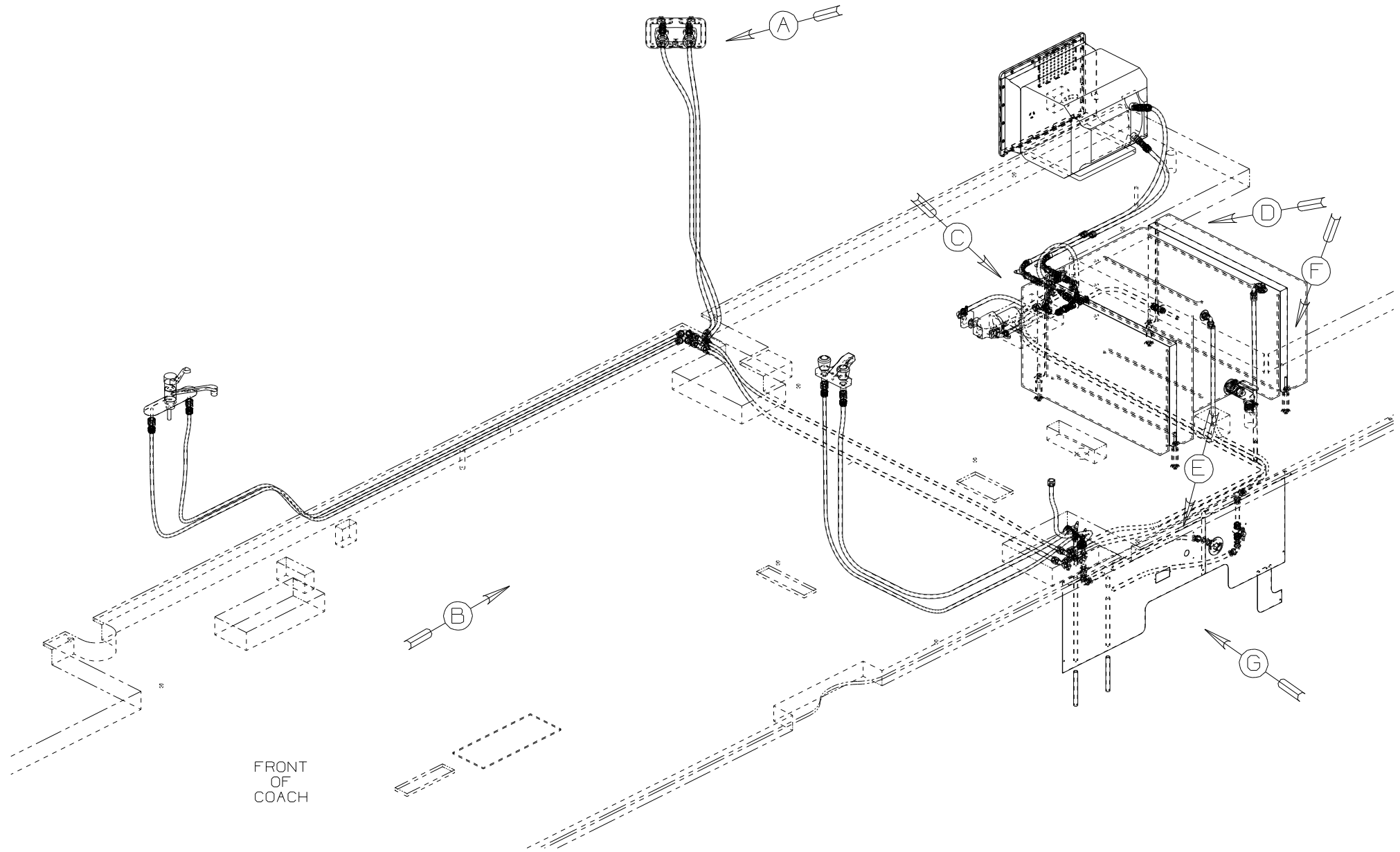
INSULATION-DRAINAGE COMPT  
120050-47-000 (2)  
(200 X 80 X 1.5")

INSULATION-DRAINAGE COMPT  
120050-49-000 (2)  
(1600 X 240 X .5")



INSULATION-DRAINAGE COMPT  
120050-42-000 (2)  
(200 X 100 X .75")

FIRST USED	08 E30B	
TITLE	DO NOT SCALE DRAWING	
	DRAINAGE SYSTEM INSTL	
SHEET 3	PART NO	REV
	163081	



FRONT OF COACH

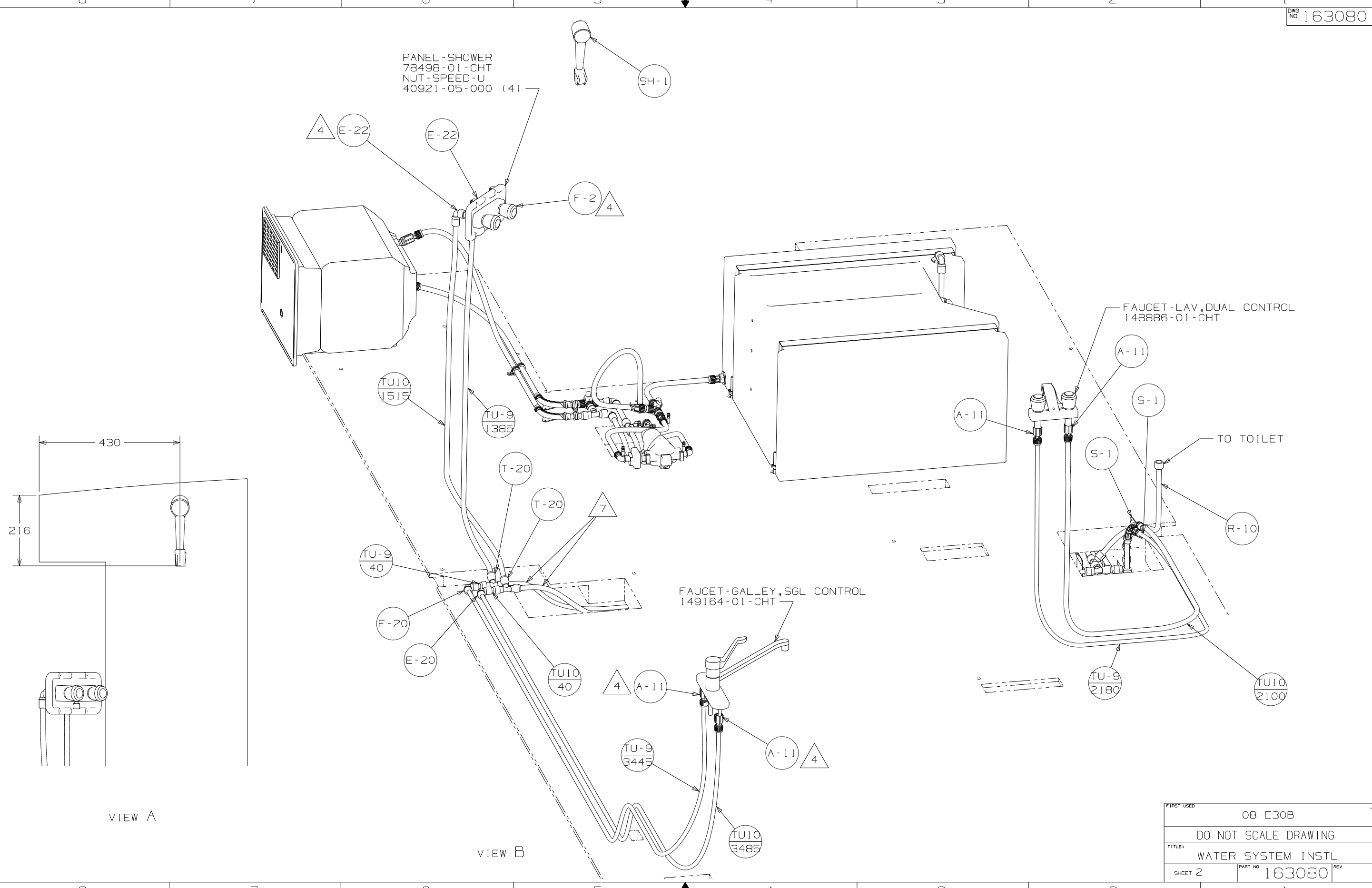
- 9 LABEL HOT AND COLD SUPPLY TUBES.
  - 8 TAPE FITTING TO TUBE BEFORE CABINET SET TO PREVENT FITTING FROM MOVING.
  - 7 ADD PIPE WRAP (LADDER SCRAP 110157-02-000) INSULATION.
  - 6 ADD TEFLON TAPE 10405-03-000.
  - 5 ADD TEFLON TAPE 10405-02-000.
  - 4 ADD TEFLON TAPE 10405-01-000.
3. ALL TUBING TO BE SECURED AT 1200 INTERVALS MAXIMUM WITH CLAMP 10495-01-000 AND SCREW G67-10-12B OR EQUIVALENT.
  2. TUBING TO BE INSTALLED WITH SUFFICIENT SLOPE TO PROVIDE DRAINAGE TO NEAREST VALVE.
  1. PLASTIC FITTINGS TO BE SEALED WITH SEALANT 84456-01-000.

NOTES:

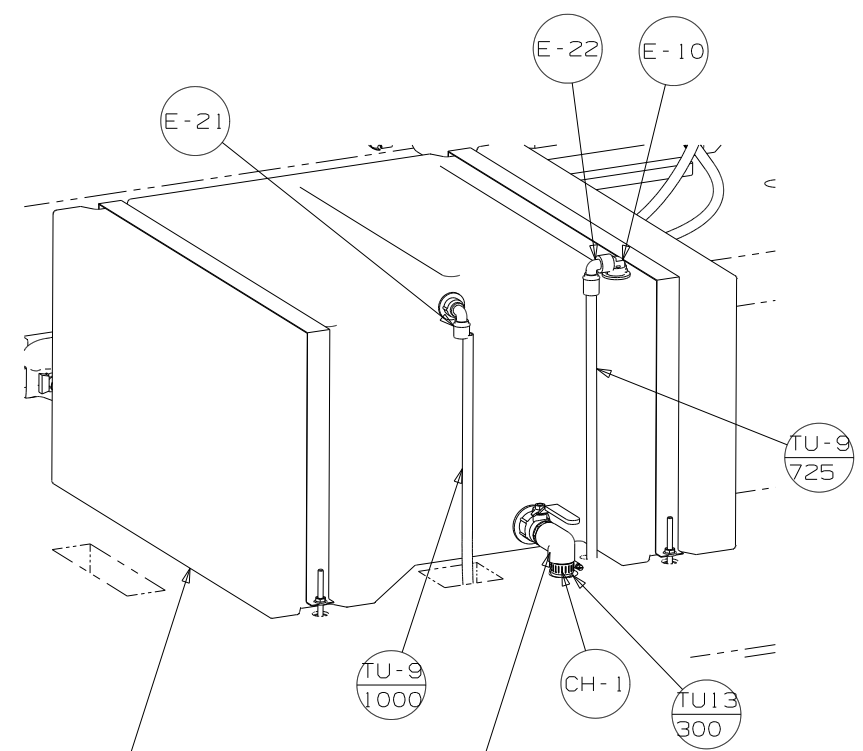
(53F) WATER HEATER-ELCE, IGNITION

<b>WINNEBAGO</b>		COPYRIGHT 2007 WINNEBAGO INDUSTRIES, INC.	
DFTR	ORIG. DATE	ALL DIMENSIONS ARE IN MILLIMETERS	
CHKR		FIRST USED	
P.E.		08 E30B	
M.E.		UNSPECIFIED TOLERANCES ARE:	
DSNR		MATERIAL:	
		WHOLE DIM (X) :	3
		ONE-PLACE (X.X) :	
		TWO-PLACE (X.XX) :	
		ANGLE :	
THIRD ANGLE PROJECTION		DO NOT SCALE DRAWING	
TITLE: WATER SYSTEM INSTL			
SHEET 1 OF 4	PART NO	163080	
REF:	1 6/20/2007		

(X-X)  
FOR  
WATER  
CALLOUTS  
SEE DWG NO  
116230-01-000

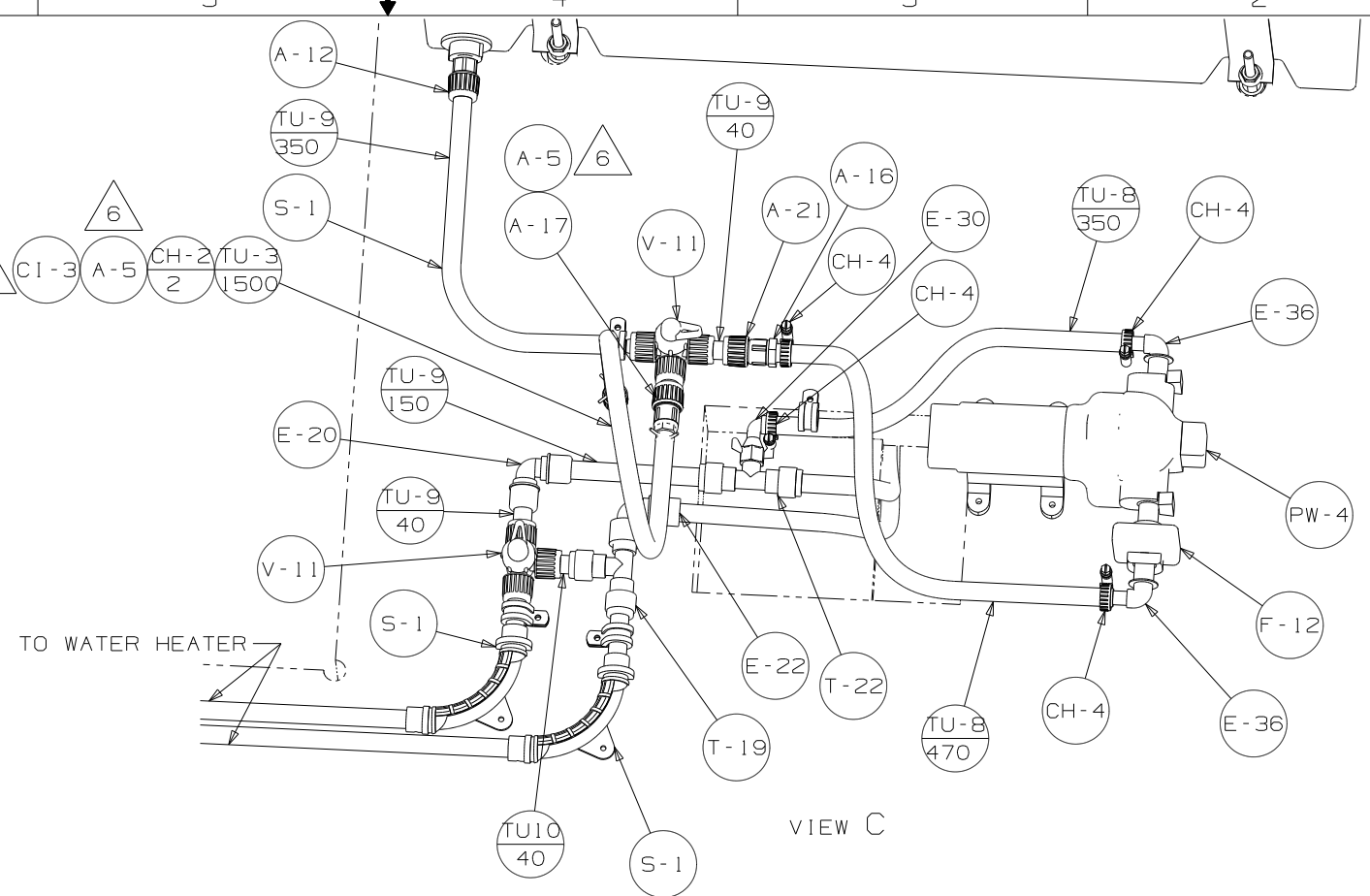
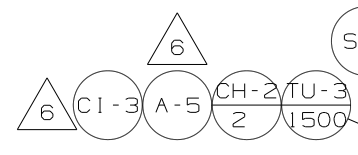


FIRST USED	08 E30B	
TITLE:	DO NOT SCALE DRAWING	
SHEET 2	PART NO	163080
	REV	1

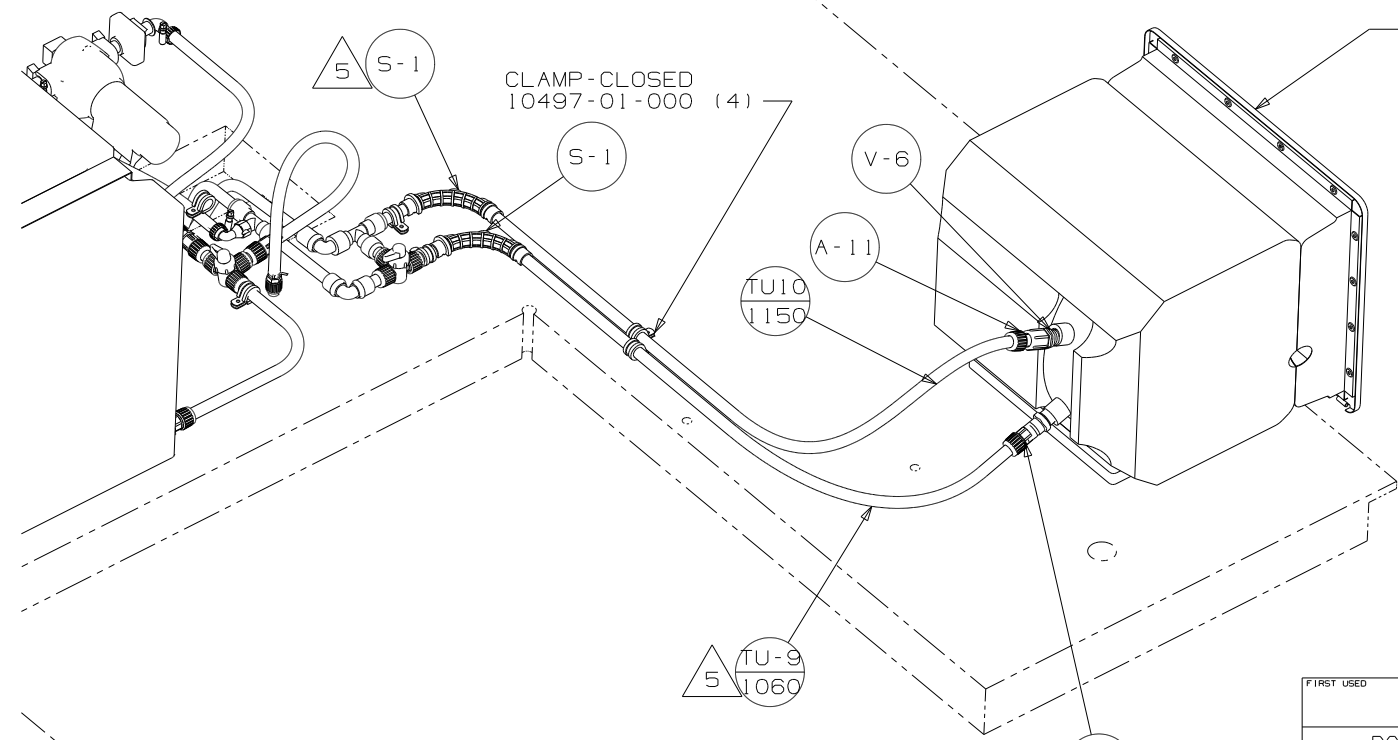


- TANK - WATER  
163132-02-000
- STRAP - TANK, WATER  
118994-14-CHT (2)
- BOLT  
C16-05-96U (4)
- NUT  
D39-06-00U (8)
- WASHER  
E13-22-00B (4)
- PIPE  
10644-51-002 (4)

- ELBOW - PLAS  
132782-01-000
- VALVE  
132483-01-000



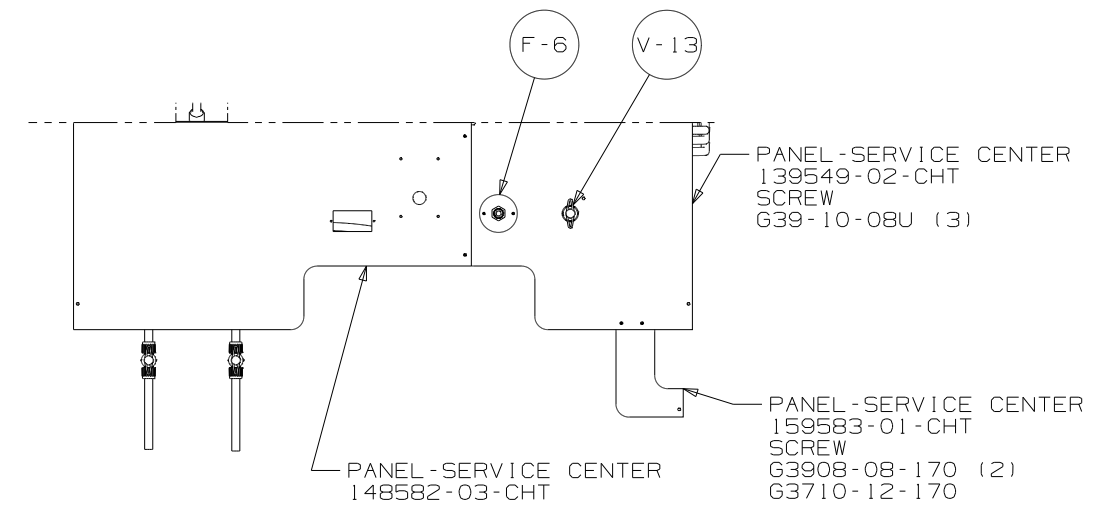
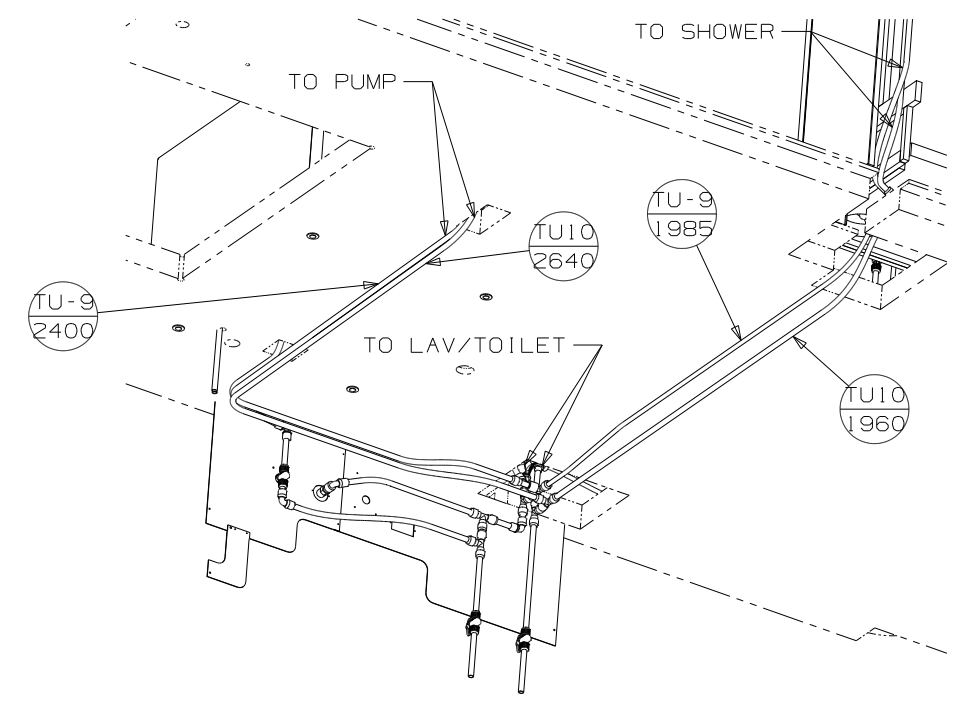
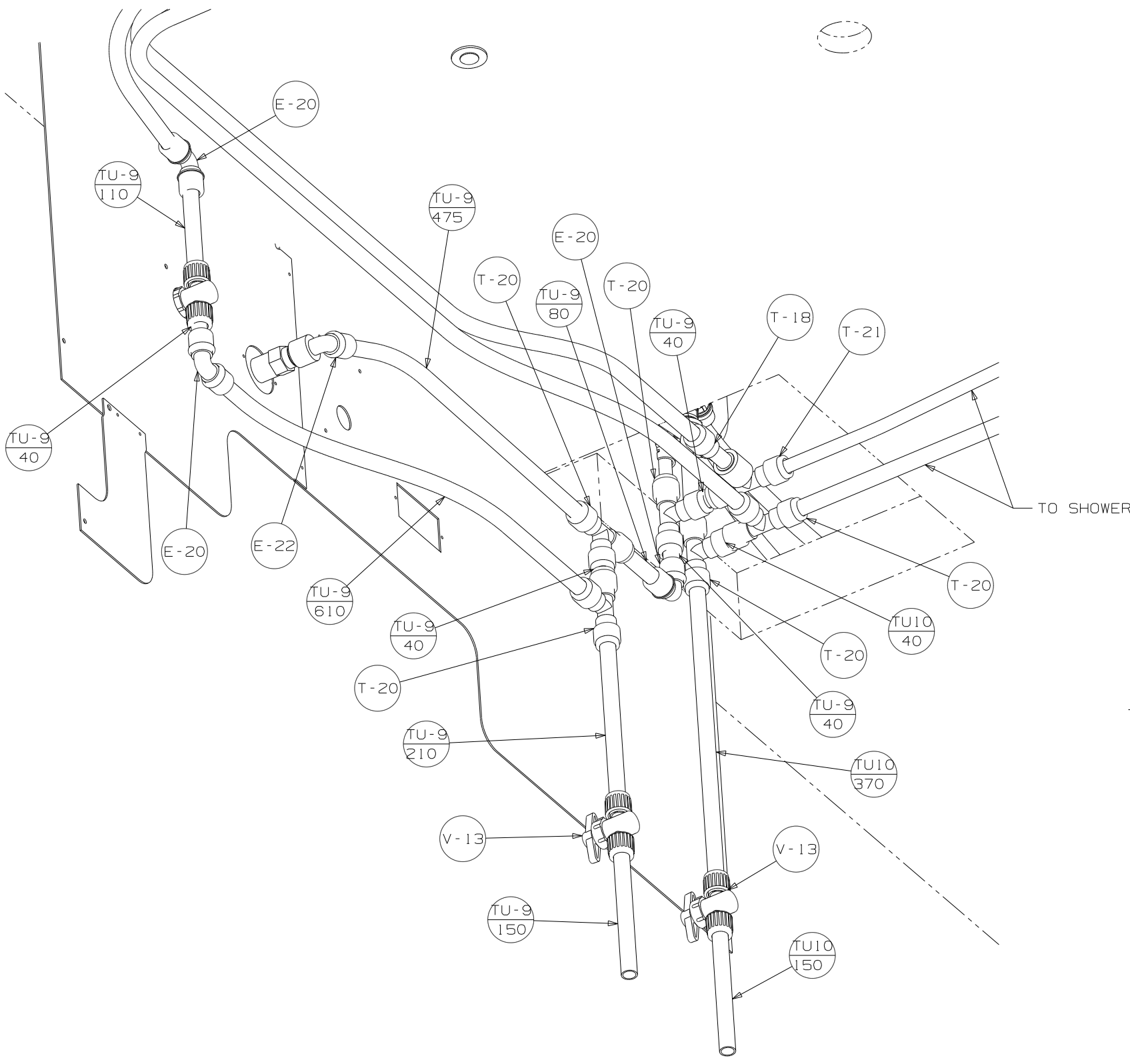
VIEW C



VIEW D

- WATER HEATER - 6 GAL  
51391-03-000 (53F)
- DOOR  
125420-06-CHT
- PANEL - PLATFORM  
143657-01-000
- SCREW  
G39-10-48B (2)
- AL EXTR  
2726-01-210 (2)
- 2726-01-212 (2)
- SCREW  
G39-10-169 (18)
- CABLE  
76767-03-000
- SCREW  
G11-06-08B (2)
- SEALANT

FIRST USED	08 E30B	
TITLE	DO NOT SCALE DRAWING	
TITLE	WATER SYSTEM INSTL	
SHEET 3	PART NO	163080
	REV	



FIRST USED	08 E30B	
TITLE	DO NOT SCALE DRAWING	
TITLE	WATER SYSTEM INSTL	
SHEET 4	PART NO 163080	REV