

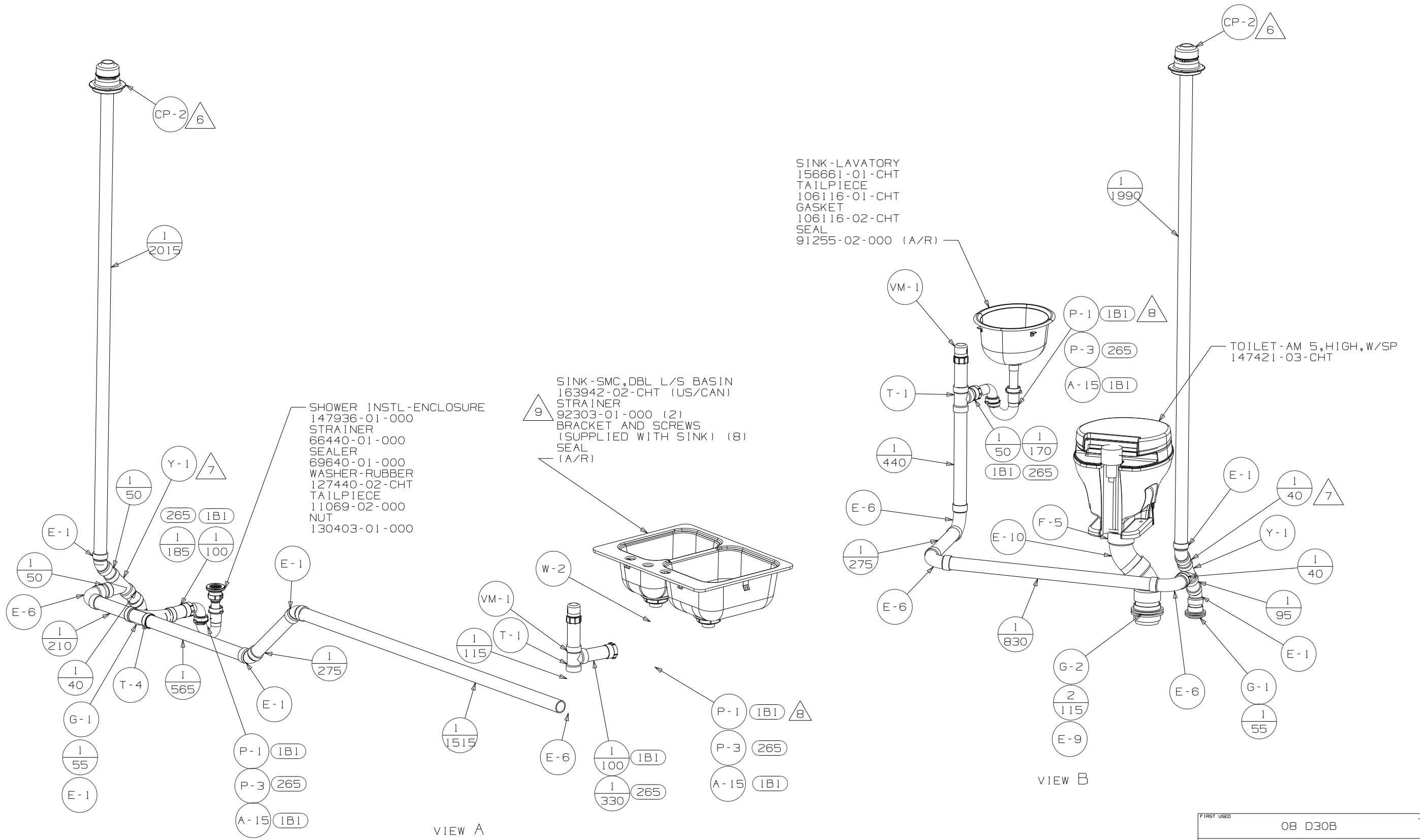
- 9. USE SMOOTH PLUMBERS PUTTY 167459-01-000 TO SEAL STRAINER (QTY 2).
- 8. SECURE DRAINAGE PIPES TO CABINET USING WIRE TIE 108046-02-000, AND SCREW G67-10-12B AT INTERVALS OF NOT MORE THAN 4 FEET APART.
- 7. SECURE VENT PIPE TO FLOOR WITH CLAMP 62401-02-000 (2), SCREW G67-10-12B (2), BRACKET 136878-01-CHT (2).
- 6. VENT PIPE MUST PROJECT 51 MIN AND 64 MAX ABOVE ROOF FOR PROPER FIT AND FUNCTION. ADD S-1 (116666-01-CHT SEAL-VENT PIPE) AROUND PIPE ON ROOF BEFORE VENT CAP IS INSTALLED.
- 5. SEAL AROUND SHOWER WITH SILICONE.
- 4. ALL EXTERIOR OPENINGS AROUND PIPE TO BE SEALED WITH 131264-03-000.
- 3. ALL PIPE AND FITTINGS TO BE ASSEMBLED WITH SOLVENT 4020-01-000 (USA), 4020-02-000 (CAN)
- 2. SLOPE OF TRAP ARM MUST BE 6 PER 305 mm.
- 1. SLOPE OF HORIZONTAL PIPING TO BE MINIMUM OF 3 PER 305 mm.

NOTES:

(265) CODES/STDS-CSA/CMVSS
 (1B1) CODES/STANDARDS-USA

WINNEBAGO		COPYRIGHT 2008 WINNEBAGO INDUSTRIES, INC.	
DFT	ORIG. DATE	ALL DIMENSIONS ARE IN MILLIMETERS	
CHKR		FIRST USED	
P.E.		08 D30B	
M.E.		UNSPECIFIED TOLERANCES ARE:	
DSNR		MATERIAL:	
		WHOLE DIM (X)	: 3
		ONE-PLACE (X.X)	:
		TWO-PLACE (X.XX)	:
		ANGLE	:
		THIRD ANGLE PROJECTION	
DO NOT SCALE DRAWING			
TITLE: DRAINAGE SYSTEM INSTL			
SHEET 1 OF 3	PART NO	163032	REV

(X-X)
 FOR
 DRAINAGE
 CALLOUTS
 SEE DWG NO
 116229-01-000



SINK-LAVATORY
 156661-01-CHT
 TAILPIECE
 106116-01-CHT
 GASKET
 106116-02-CHT
 SEAL
 91255-02-000 (A/R)

SINK-SMC, DBL L/S BASIN
 163942-02-CHT (US/CAN)
 STRAINER
 92303-01-000 (2)
 BRACKET AND SCREWS
 (SUPPLIED WITH SINK) (8)
 SEAL
 (A/R)

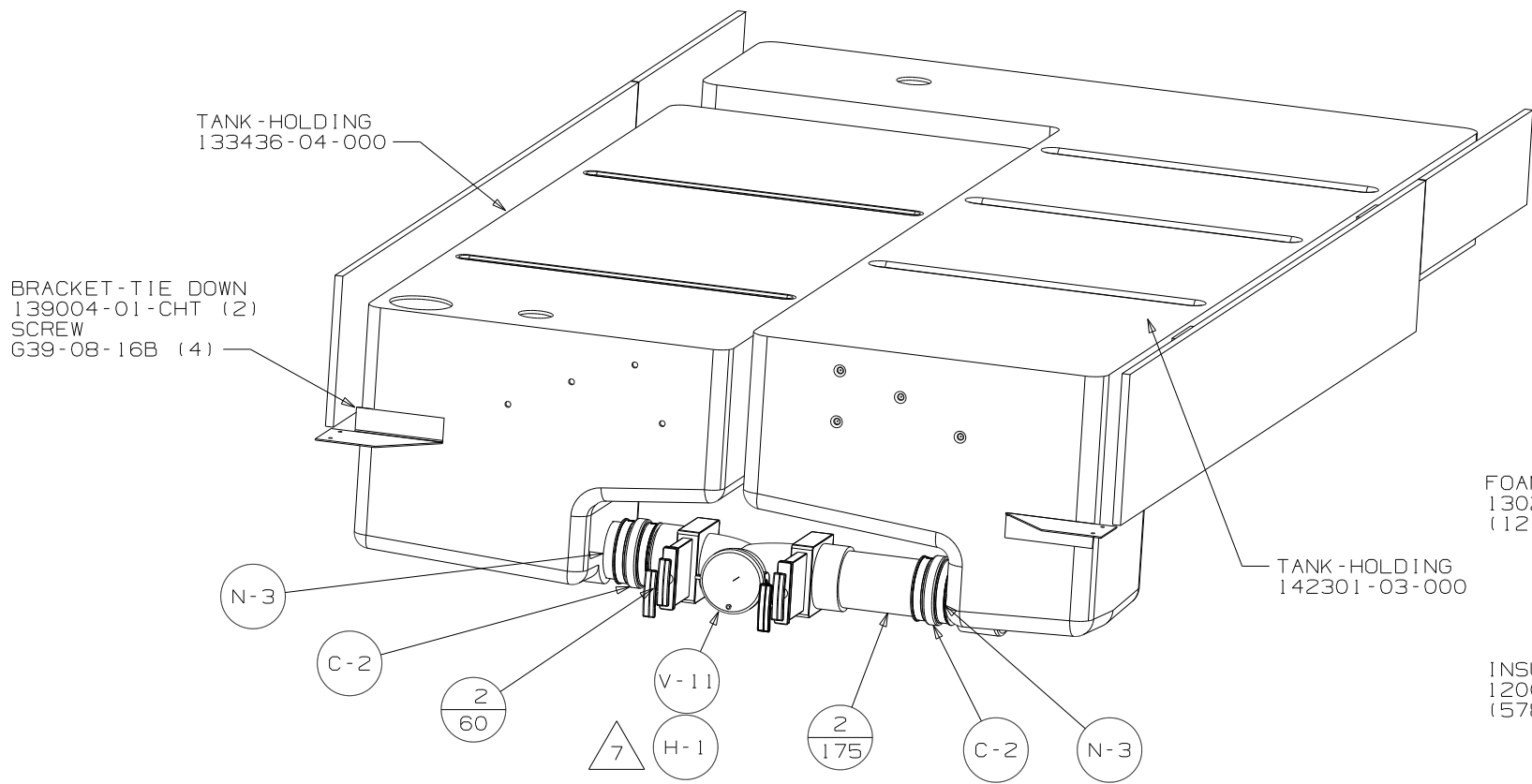
SHOWER INSTL-ENCLOSURE
 147936-01-000
 STRAINER
 66440-01-000
 SEALER
 69640-01-000
 WASHER-RUBBER
 127440-02-CHT
 TAILPIECE
 11069-02-000
 NUT
 130403-01-000

TOILET-AM 5,HIGH,W/SP
 147421-03-CHT

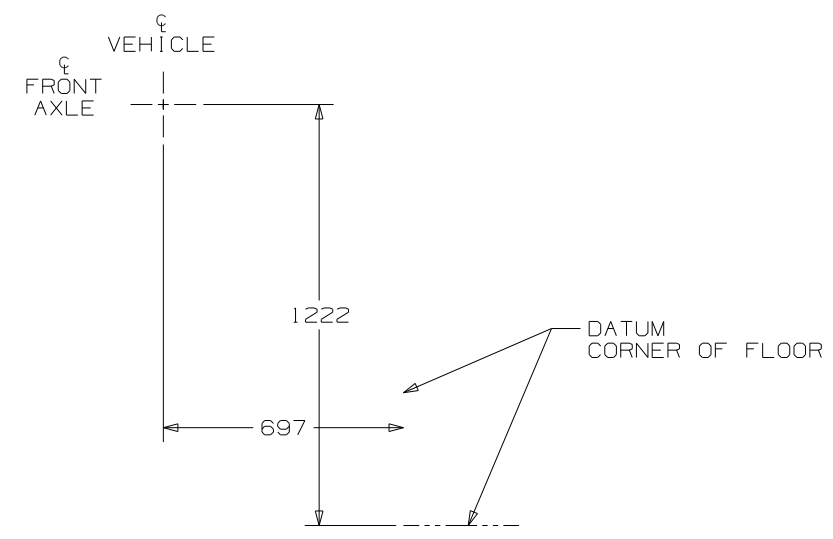
VIEW A

VIEW B

FIRST USED	08 D30B	
TITLE	DO NOT SCALE DRAWING	
	DRAINAGE SYSTEM INSTL	
SHEET 2	PART NO	163032
	REV	1 2/15/2008



VIEW C



VIEW D

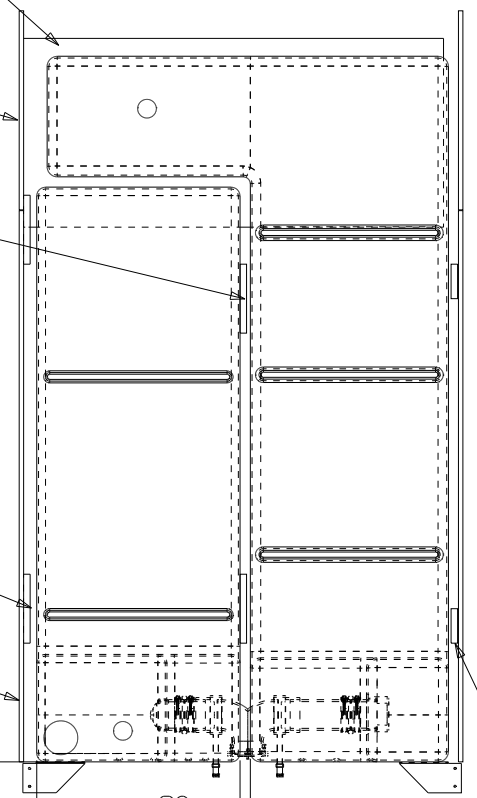
FOAM-SUPPORT, HOLDING TANK
130223-09-000
(1219 X 548 X 75 X 46)

INSULATION-DRAINAGE COMPT
120050-45-000 (2)
(578 X 150 X .5")

INSULATION-DRAINAGE COMPT
120050-47-000 (2)
(200 X 80 X 1.5")

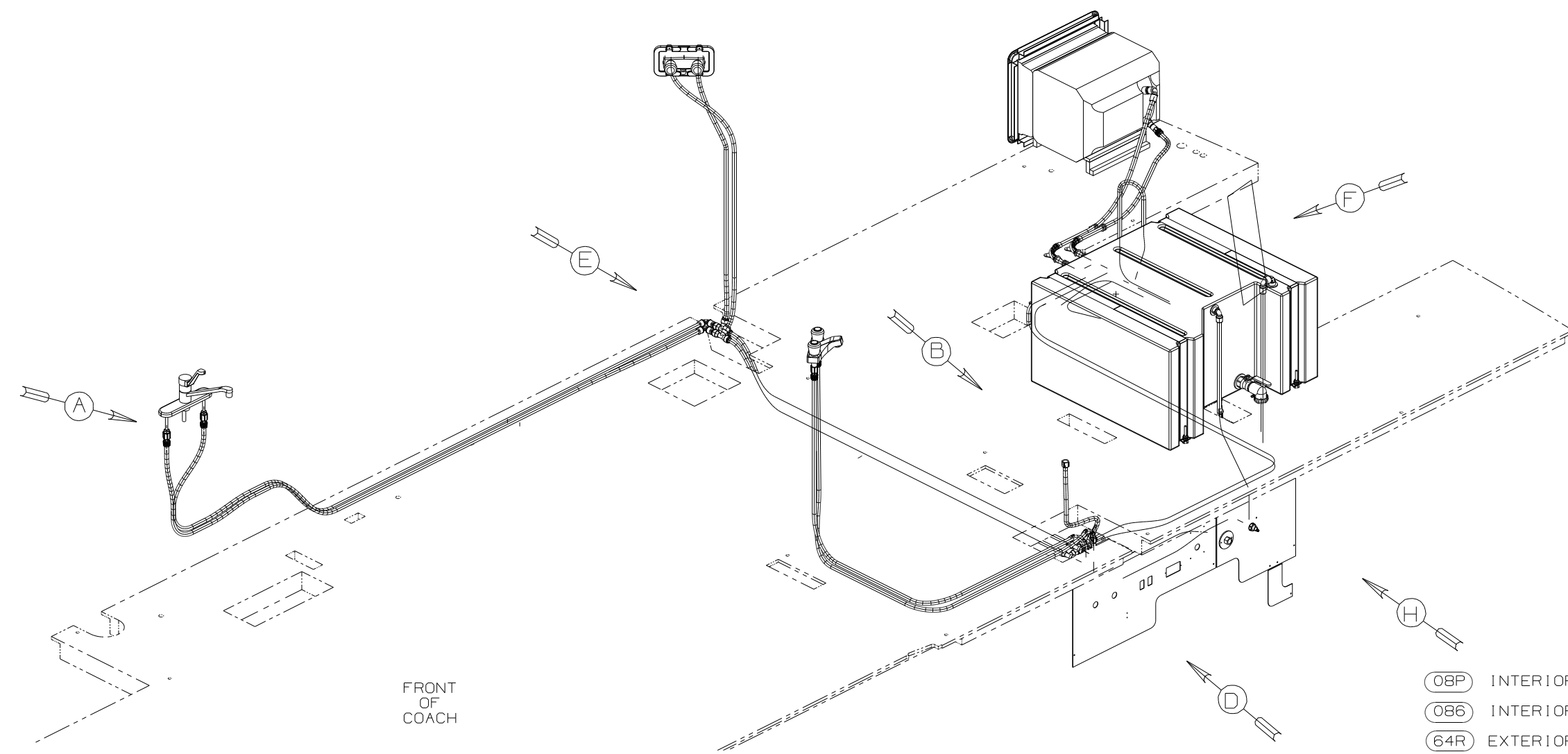
INSULATION-DRAINAGE COMPT
120050-47-000 (2)
(200 X 80 X 1.5")

INSULATION-DRAINAGE COMPT
120050-49-000 (2)
(1600 X 240 X .5")



INSULATION-DRAINAGE COMPT
120050-42-000 (2)
(200 X 100 X .75")

FIRST USED	08 D30B		
TITLE	DO NOT SCALE DRAWING		
	DRAINAGE SYSTEM INSTL		
SHEET 3	PART NO	163032	REV



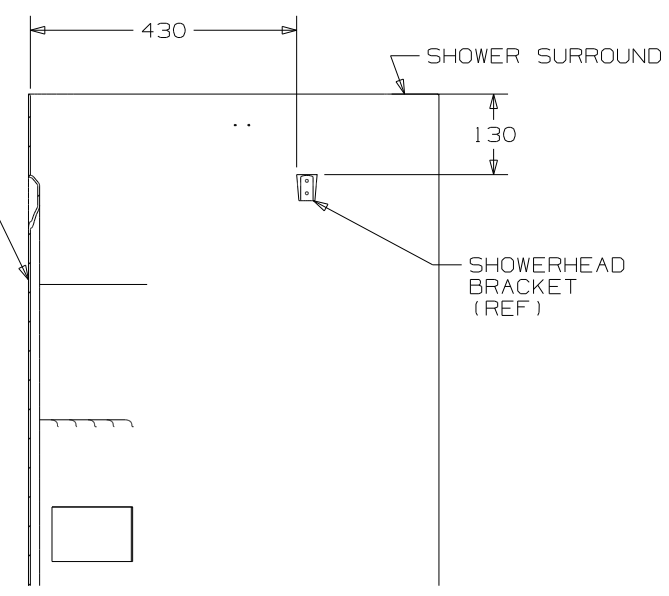
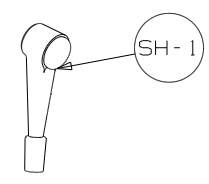
- (08P) INTERIOR UPGRADE - WITHOUT
- (086) INTERIOR UPGRADE PACKAGE
- (64R) EXTERIOR WASH STATION
- (1J4) EXTERIOR WASH STATION W/O
- (53Z) WTR HTR-6GAL/110/LP/MTR/AUTO
- (53F) WATER HEATER-ELEC. IGNITION

- △8 TAPE FITTING TO TUBE BEFORE CABINET SET TO PREVENT FITTING FROM MOVING.
 - △7 ADD PIPE WRAP (LADDER SCRAP 110157-02-000) INSULATION.
 - △6 ADD TEFLON TAPE 10405-03-000.
 - △5 ADD TEFLON TAPE 10405-02-000.
 - △4 ADD TEFLON TAPE 10405-01-000.
3. ALL TUBING TO BE SECURED AT 1200 INTERVALS MAXIMUM WITH CLAMP 10495-01-000 AND SCREW G67-10-12B OR EQUIVALENT.
 2. TUBING TO BE INSTALLED WITH SUFFICIENT SLOPE TO PROVIDE DRAINAGE TO NEAREST VALVE.
 1. PLASTIC FITTINGS TO BE SEALED WITH SEALANT 84456-01-000.

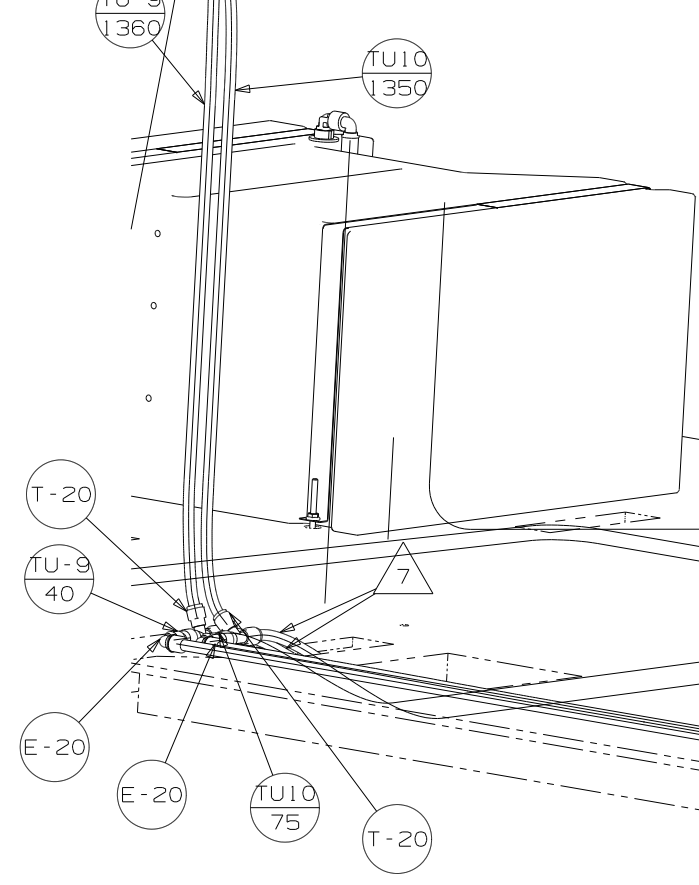
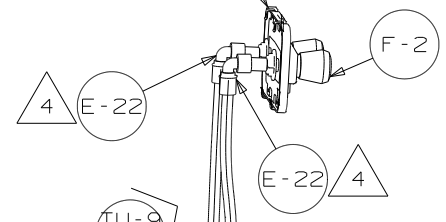
NOTES:

WINNEBAGO		COPYRIGHT 2008 WINNEBAGO INDUSTRIES, INC.	
DFTR	ORIG. DATE	ALL DIMENSIONS ARE IN MILLIMETERS	
CHKR		FIRST USED	
P.E.		08 D30B	
M.E.		UNSPECIFIED TOLERANCES ARE:	
DSNR		MATERIAL:	
		WHOLE DIM (X) :	3
		ONE-PLACE (X.X) :	
		TWO-PLACE (X.XX) :	
		ANGLE :	
THIRD ANGLE PROJECTION		DO NOT SCALE DRAWING	
TITLE: WATER SYSTEM INSTL			
SHEET 1 OF 4	PART NO	163035	REV
REF:	1 2/11/2008		

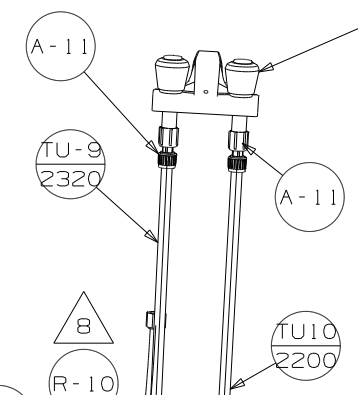
(X-X)
FOR
WATER
CALLOUTS
SEE DWG NO
116230-01-000



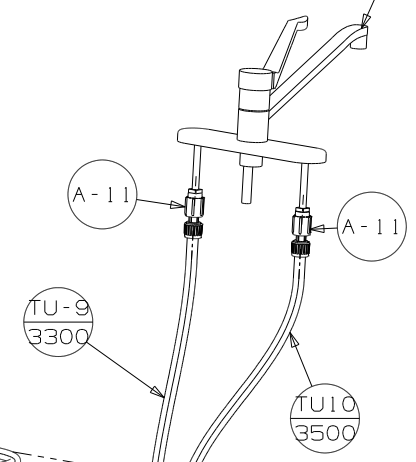
PANEL - SHOWER
78498-01-CHT
NUT - SPEED-U
40921-05-000 (4)



FAUCET
148886-01-CHT
165730-01-CHT



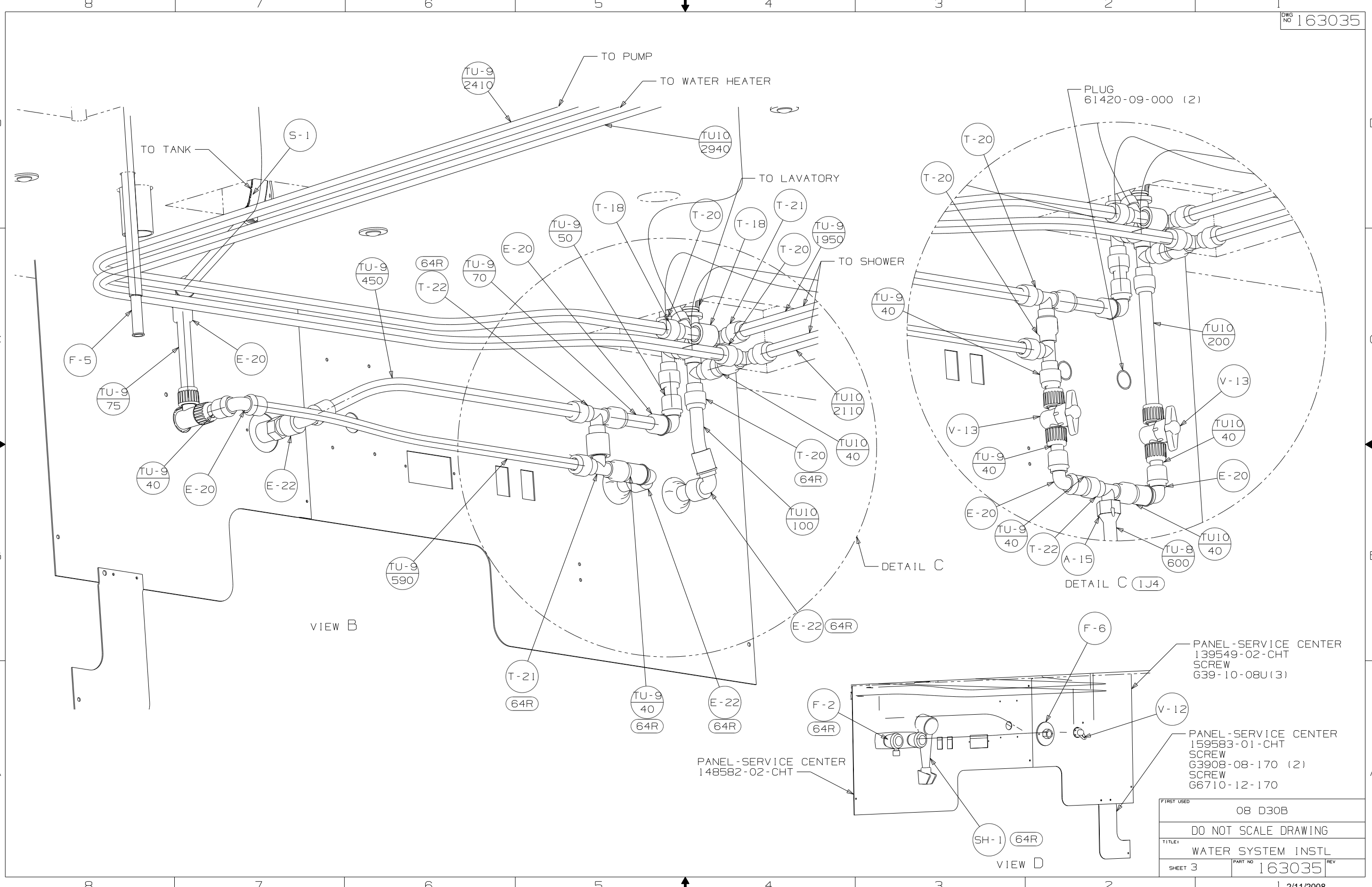
FAUCET - GALLEY, SGL CONTROL
149164-01-CHT



VIEW A

VIEW G

FIRST USED	08 D30B
TITLE	DO NOT SCALE DRAWING
SHEET 2	163035
PART NO	163035
REV	1 2/11/2008



TO TANK

TO PUMP

TO WATER HEATER

TO LAVATORY

TO SHOWER

VIEW B

DETAIL C

DETAIL C (1J4)

PANEL-SERVICE CENTER
148582-02-CHT

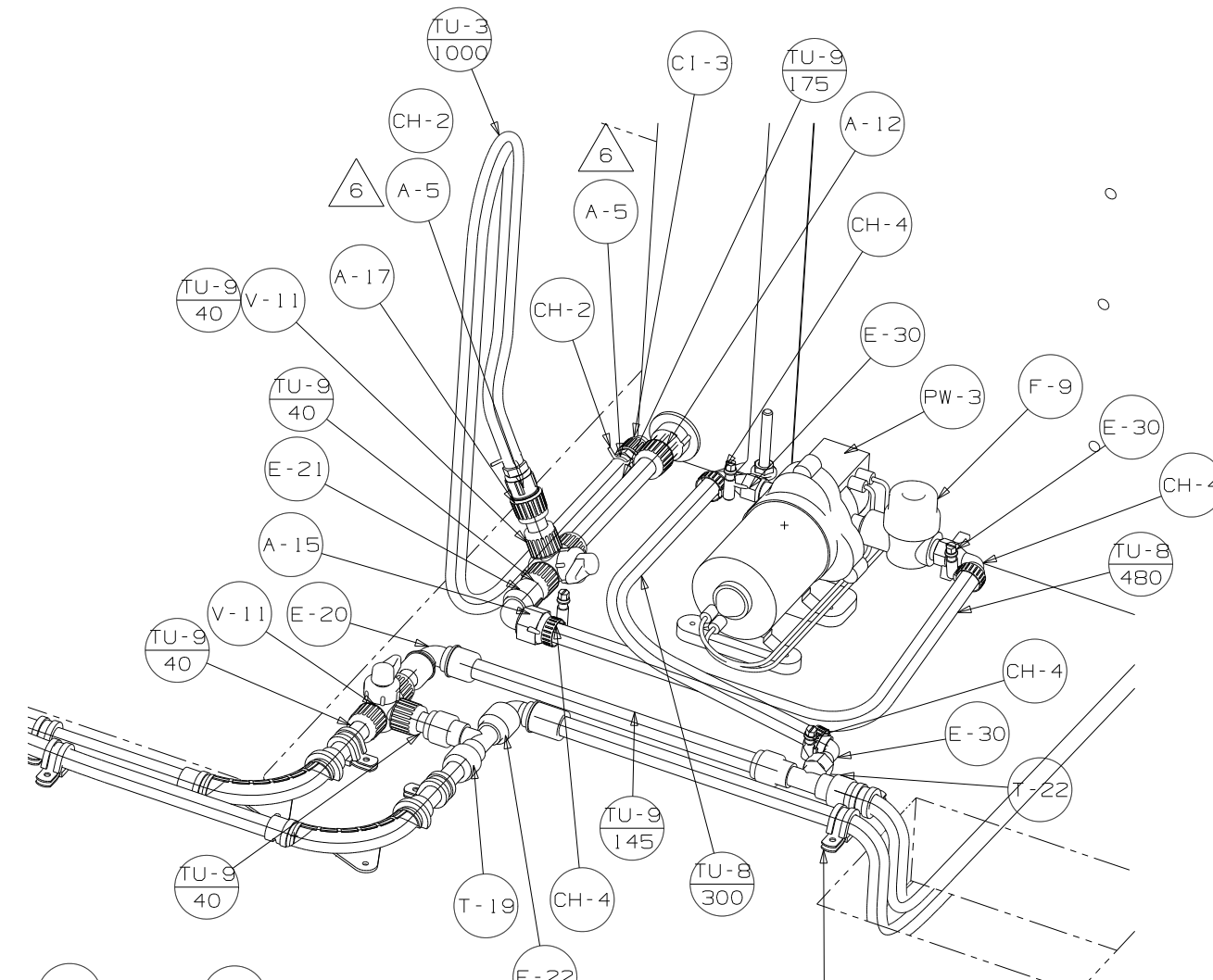
PANEL-SERVICE CENTER
139549-02-CHT
SCREW
G39-10-08U (3)

PANEL-SERVICE CENTER
159583-01-CHT
SCREW
G3908-08-170 (2)
SCREW
G6710-12-170

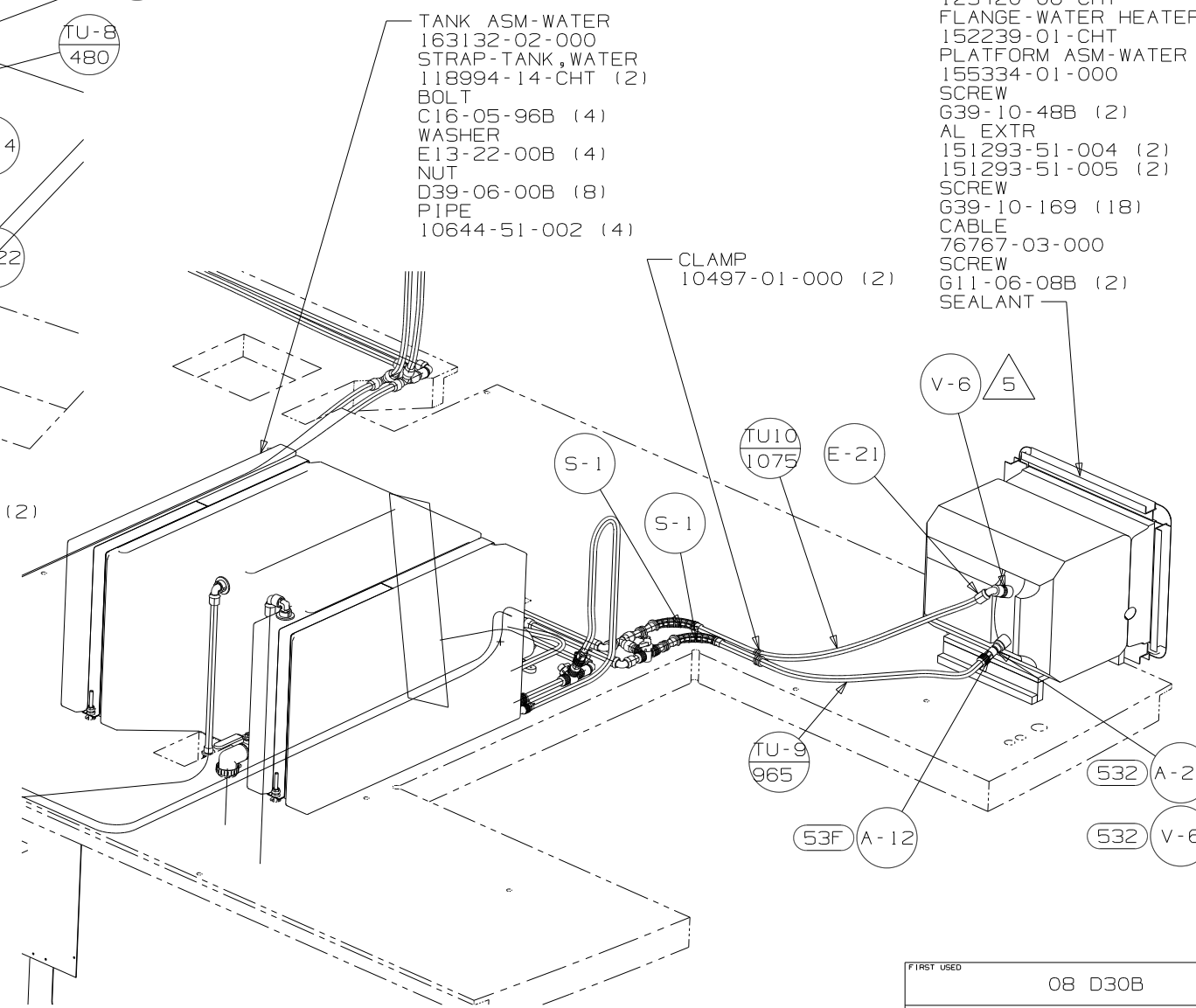
SH-1 (64R)

VIEW D

FIRST USED	08 D30B
TITLE:	DO NOT SCALE DRAWING
TITLE:	WATER SYSTEM INSTL
SHEET 3	PART NO 163035 REV

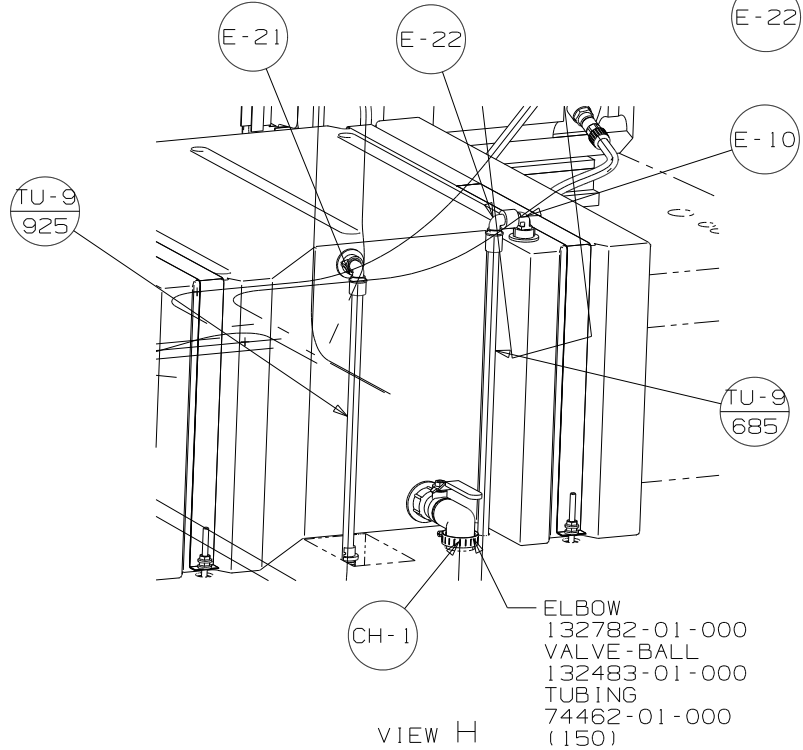


VIEW E



VIEW F

- 53F WATER HEATER-6 GAL 51391-03-000
- 53Z 145541-02-000
- DOOR 125420-06-CHT
- FLANGE-WATER HEATER 152239-01-CHT
- PLATFORM ASM-WATER HEATER 155334-01-000
- SCREW G39-10-48B (2)
- AL EXTR 151293-51-004 (2)
- 151293-51-005 (2)
- SCREW G39-10-169 (18)
- CABLE 76767-03-000
- SCREW G11-06-08B (2)
- SEALANT



VIEW H

FIRST USED	08 D30B	
TITLE	DO NOT SCALE DRAWING	
TITLE	WATER SYSTEM INSTL	
SHEET 4	PART NO	163035
REV		