

- 8 USE SMOOTH PLUMBERS PUTTY 167459-01-000 TO SEAL STRAINER (QTY 2).
- 7 SECURE VENT TUBES TO FLOOR WITH BRACKET 95061-01-000 (2). CLAMP 62401-02-000 AND SCREW G67-10-12B (2)
- 6 VENT PIPE MUST PROJECT 51 MIN AND 64 MAX ABOVE ROOF FOR PROPER FIT AND FUNCTION.
- 5. SEAL AROUND SHOWER WITH SILICONE.
- 4. ALL EXTERIOR OPENINGS AROUND PIPE TO BE SEALED WITH 131264-03-000.
- 3. ALL PIPE AND FITTINGS TO BE ASSEMBLED WITH SOLVENT 4020-01-000 (US), 4020-02-000 (CAN).
- 2. SLOPE OF TRAP ARM MUST BE 6 PER 305 mm.
- 1. SLOPE OF HORIZONTAL PIPING TO BE MIN 3 PER 305 mm.

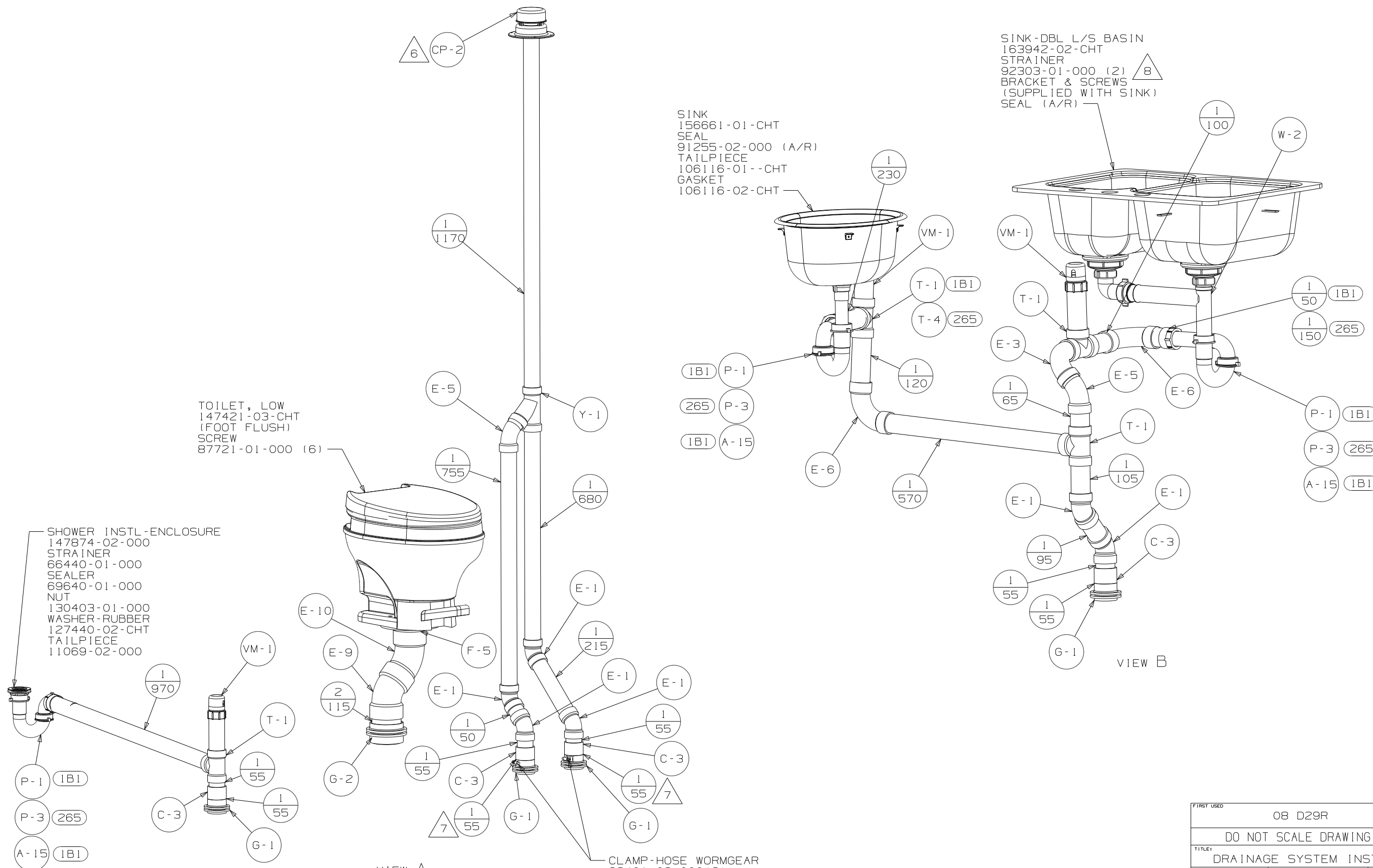
NOTES:

(265) CODES/STDS-CSA/CMVSS  
 (1B1) CODES/STANDARDS-USA

<b>WINNEBAGO</b>		COPYRIGHT 2008 WINNEBAGO INDUSTRIES, INC.	
D/FR	ORIG. DATE	ALL DIMENSIONS ARE IN MILLIMETERS	
CHKR		FIRST USED	
P.E.		08 D29R	
M.E.		UNSPECIFIED TOLERANCES ARE:	
DSNR		MATERIAL:	
		WHOLE DIM (X) :	3
		ONE-PLACE (X.X) :	
		TWO-PLACE (X.XX) :	
		ANGLE :	
THIRD ANGLE PROJECTION		DO NOT SCALE DRAWING	
TITLE: DRAINAGE SYSTEM INSTL			
SHEET 1 OF 3	PART NO	162374	REV
REF:	1 2/15/2008		

X-X

FOR  
DRAINAGE  
CALLOUTS  
SEE DWG NO  
116229-01-000



TOILET, LOW  
147421-03-CHT  
(FOOT FLUSH)  
SCREW  
87721-01-000 (6)

SHOWER INSTL-ENCLOSURE  
147874-02-000  
STRAINER  
66440-01-000  
SEALER  
69640-01-000  
NUT  
130403-01-000  
WASHER-RUBBER  
127440-02-CHT  
TAILPIECE  
11069-02-000

SINK-DBL L/S BASIN  
163942-02-CHT  
STRAINER  
92303-01-000 (2)  
BRACKET & SCREWS  
(SUPPLIED WITH SINK)  
SEAL (A/R)

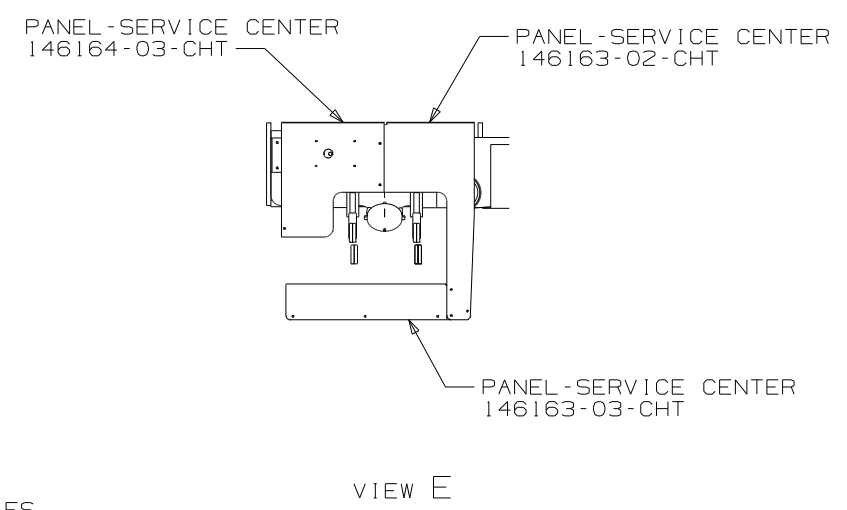
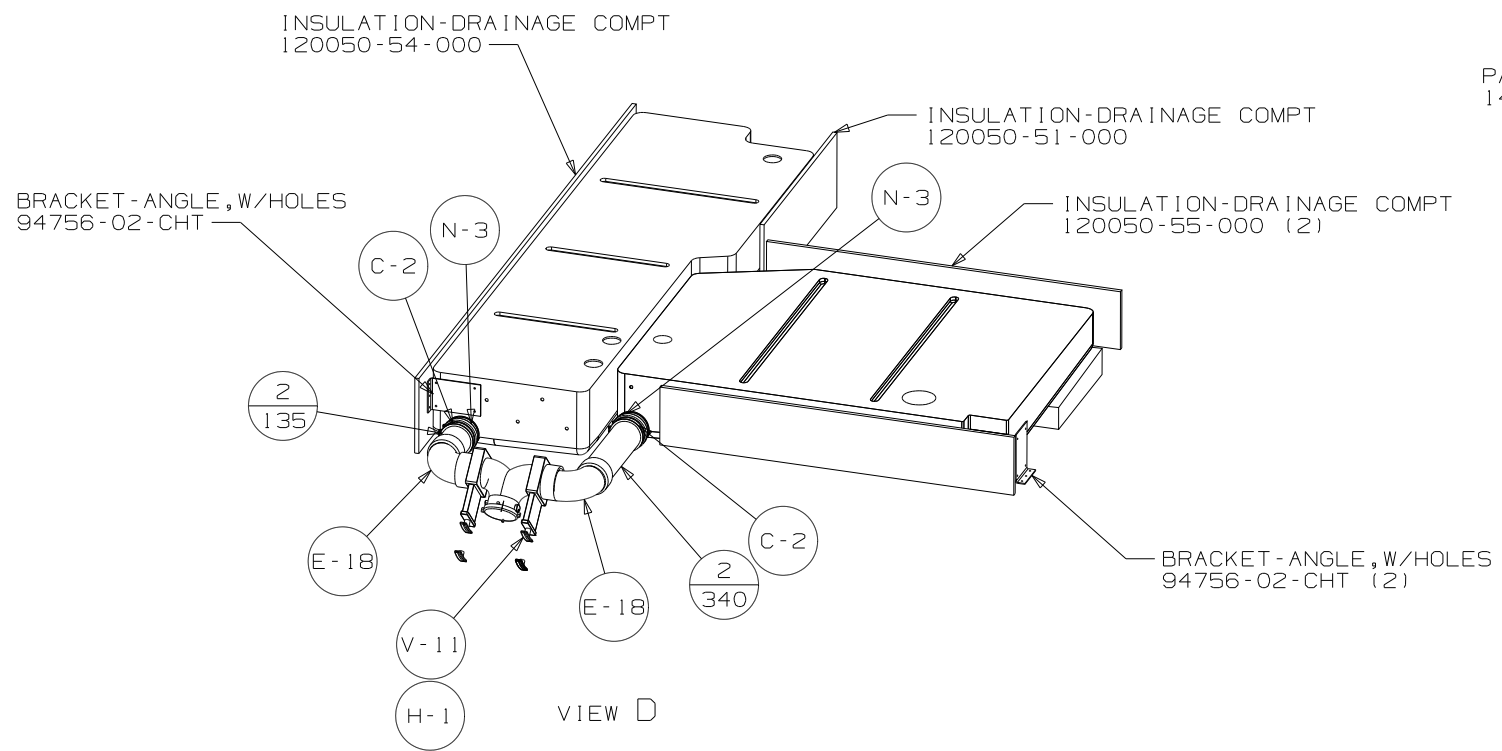
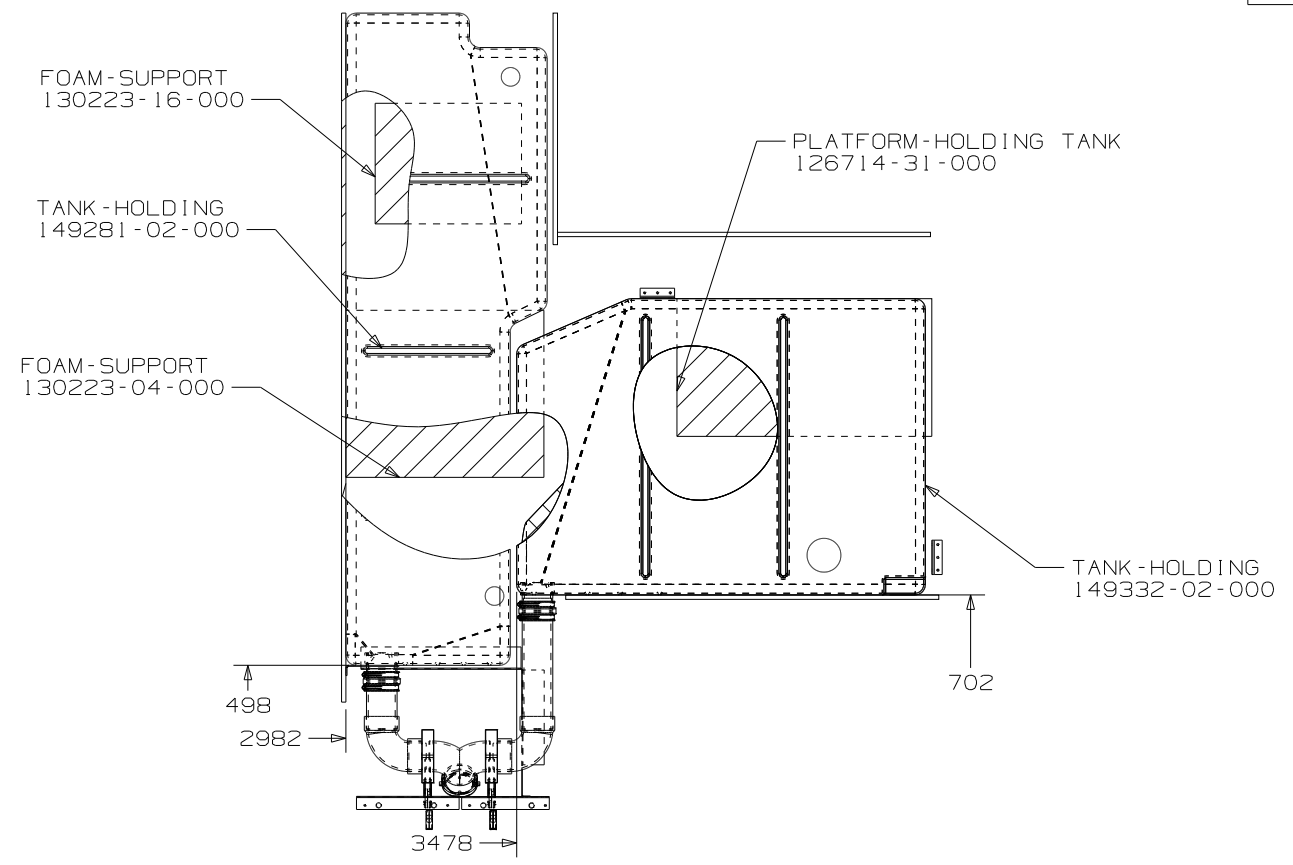
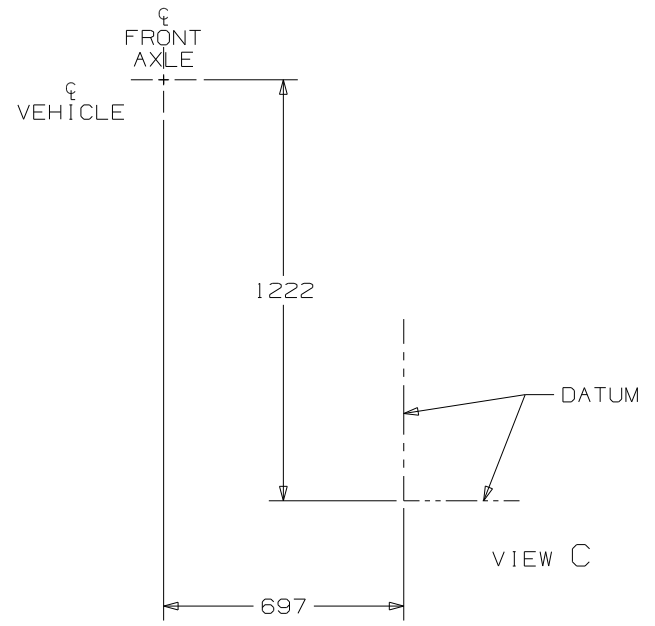
SINK  
156661-01-CHT  
SEAL  
91255-02-000 (A/R)  
TAILPIECE  
106116-01--CHT  
GASKET  
106116-02-CHT

VIEW A

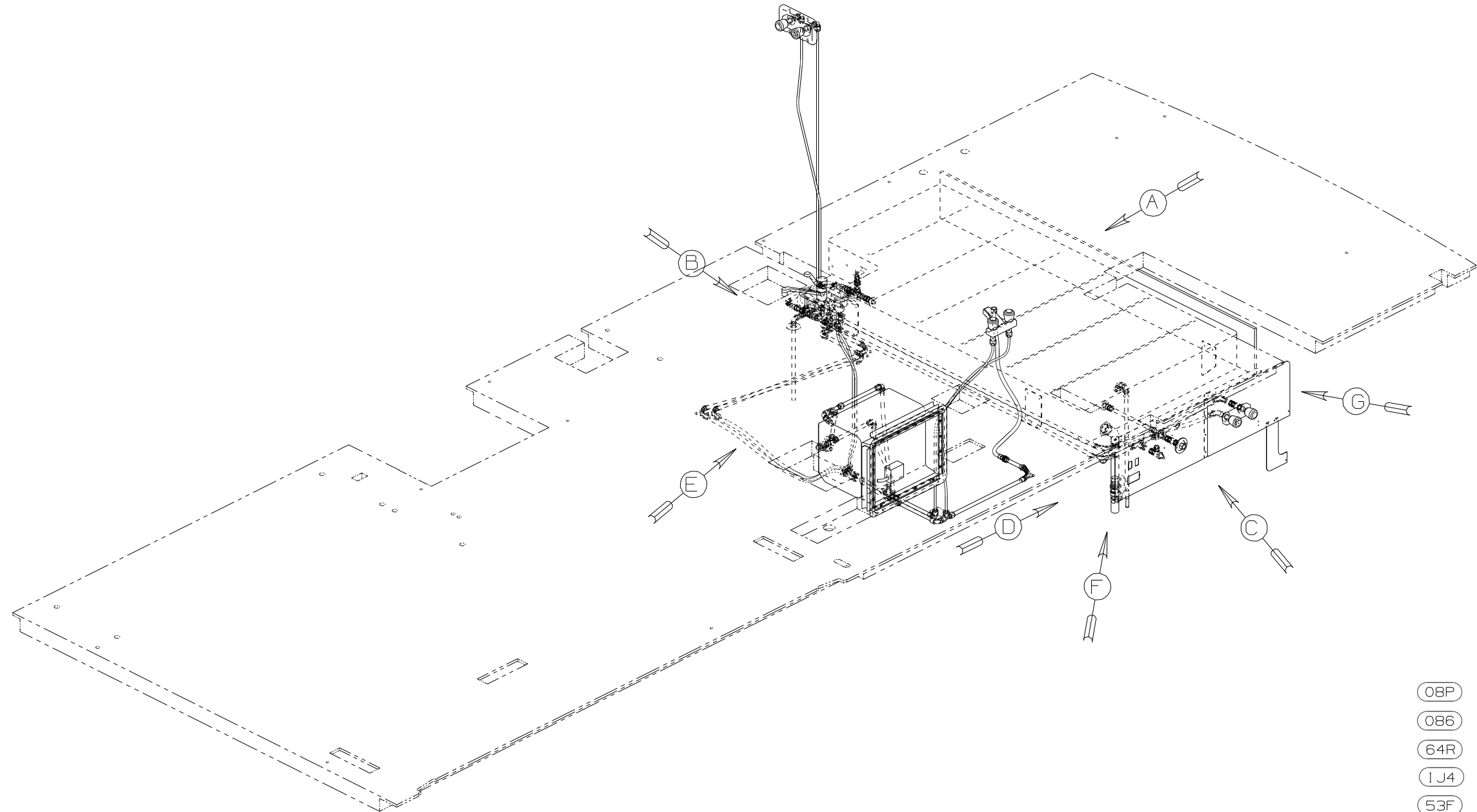
VIEW B

CLAMP-HOSE WORMGEAR  
62401-02-000 (2)

FIRST USED	08 D29R	
TITLE	DO NOT SCALE DRAWING	
TITLE	DRAINAGE SYSTEM INSTL	
SHEET 2	PART NO	REV
	162374	



FIRST USED	08 D29R	
TITLE	DRAINAGE SYSTEM INSTL	
SHEET 3	PART NO 162374	REV
1 2/15/2008		



- (08P) INTERIOR UPGRADE - WITHOUT
- (086) INTERIOR UPGRADE PACKAGE
- (64R) EXTERIOR WASH STATION
- (1J4) EXT WASH STATION-WITHOUT
- (53F) WATER HEATER-ELEC IGNITION
- (53Z) WTR HTR-6 GAL/110/LP/MTR/AUTO

- 9 ADD PIPE WRAP (LADDER SCRAP) INSULATION HERE.
  - 8 LABEL HOT AND COLD SUPPLY TUBES.
  - 7 TAPE FITTING TO TUBE BEFORE CABINET SET TO PREVENT FITTING FROM MOVING.
  - 6 ADD TEFLON TAPE 10405-01-000.
  - 5 ADD TEFLON TAPE 10405-02-000.
  - 4 FLUSHING SYSTEM REQUIRES 125697-06-000 INSTRUCTION SHEET.
3. ALL TUBING TO BE SECURED AT 1200 INTERVALS MAXIMUM WITH CLAMP 10495-01-000 AND SCREW G67-10-12B OR EQUIVALENT.
  2. TUBING TO BE INSTALLED WITH SUFFICIENT SLOPE TO PROVIDE DRAINAGE TO NEAREST VALVE.
  1. PLASTIC FITTINGS TO BE SEALED WITH SEALANT 84456-01-000.

NOTES:

<b>WINNEBAGO</b>		COPYRIGHT 2008 WINNEBAGO INDUSTRIES, INC.	
DFTR	ORIG. DATE	ALL DIMENSIONS ARE IN MILLIMETERS	
CHKR		FIRST USED	
P.E.		08 D29R	
M.E.		UNSPECIFIED TOLERANCES ARE:	
DSNR		MATERIAL:	
		WHOLE DIM (X)	: 3
		ONE-PLACE (X.X)	: 1.5
		TWO-PLACE (X.XX)	: 0.50
		ANGLE	: 1°
THIRD ANGLE PROJECTION		DO NOT SCALE DRAWING	
TITLE: WATER SYSTEM INSTL			
SHEET 1 OF 4	PART NO	162376	REV
REF:	1 2/11/2008		

X-X

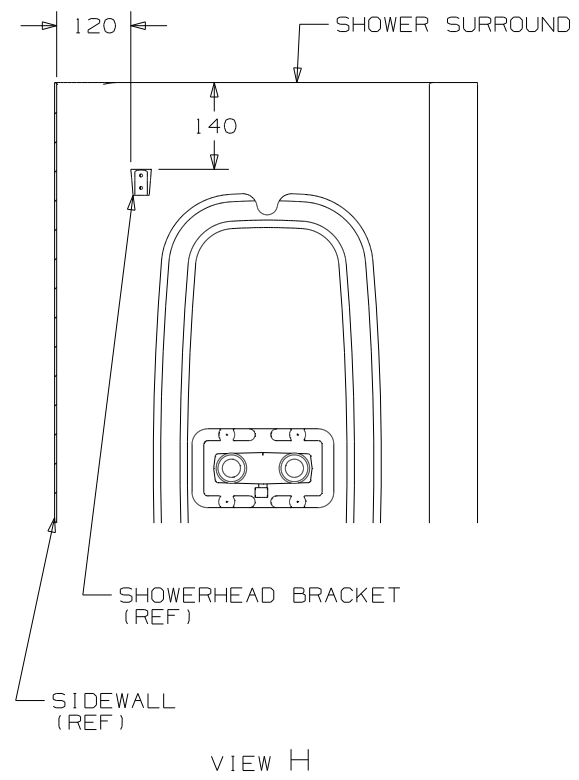
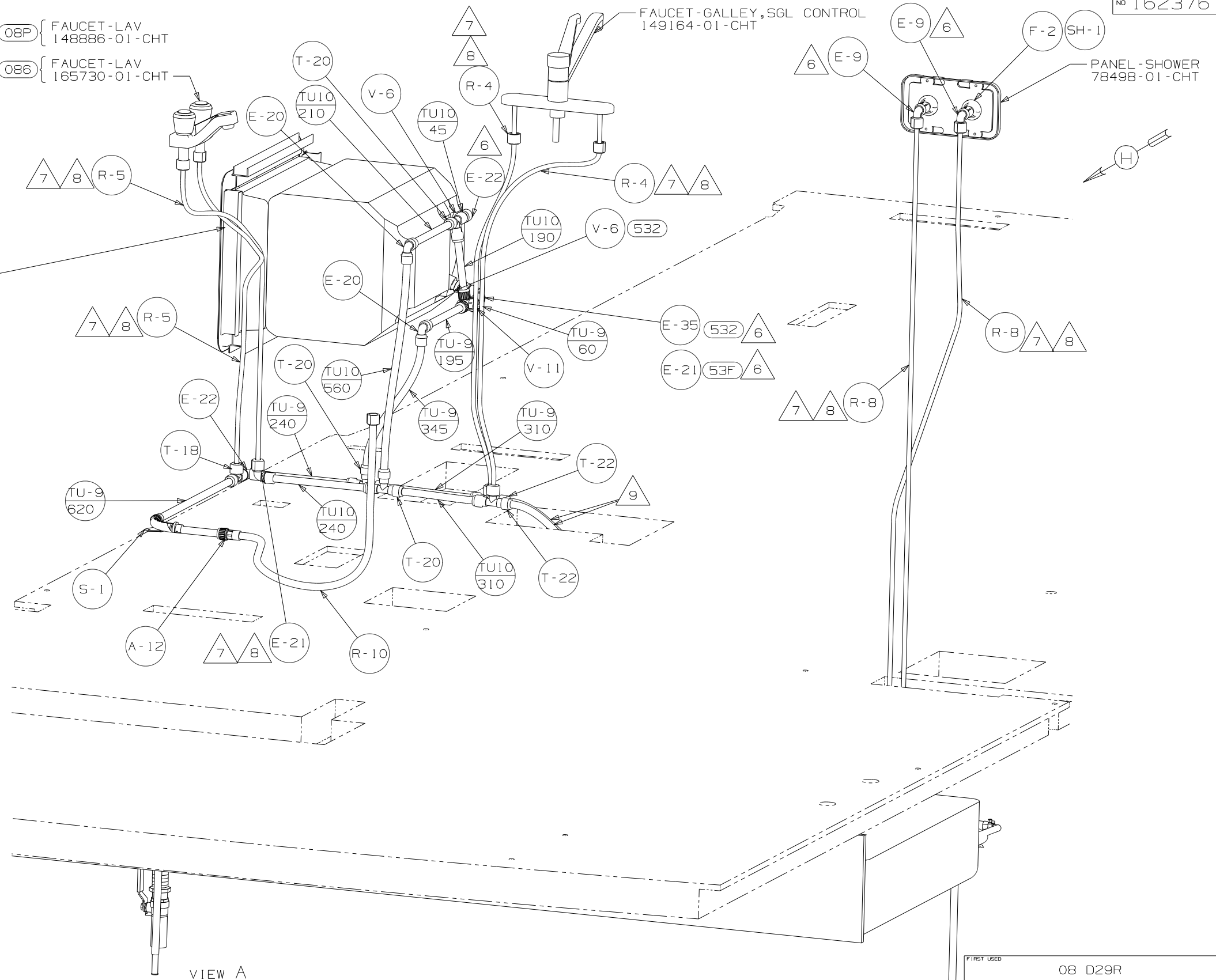
FOR  
WATER  
CALLOUTS  
SEE DWG NO  
116230-01-000

- (53F) WATER HEATER  
51391-03-000
- (53Z) 145541-02-000
- DOOR  
125420-06-CHT
- CABLE  
76767-03-000
- SCREW  
G11-06-08B (2)
- AL EXTR  
151293-51-004 (2)
- 151293-51-005 (2)
- SCREW  
G39-10-169 (18)
- SEALANT  
FLANGE  
152239-01-CHT

- (08P) FAUCET-LAV  
148886-01-CHT
- (086) FAUCET-LAV  
165730-01-CHT

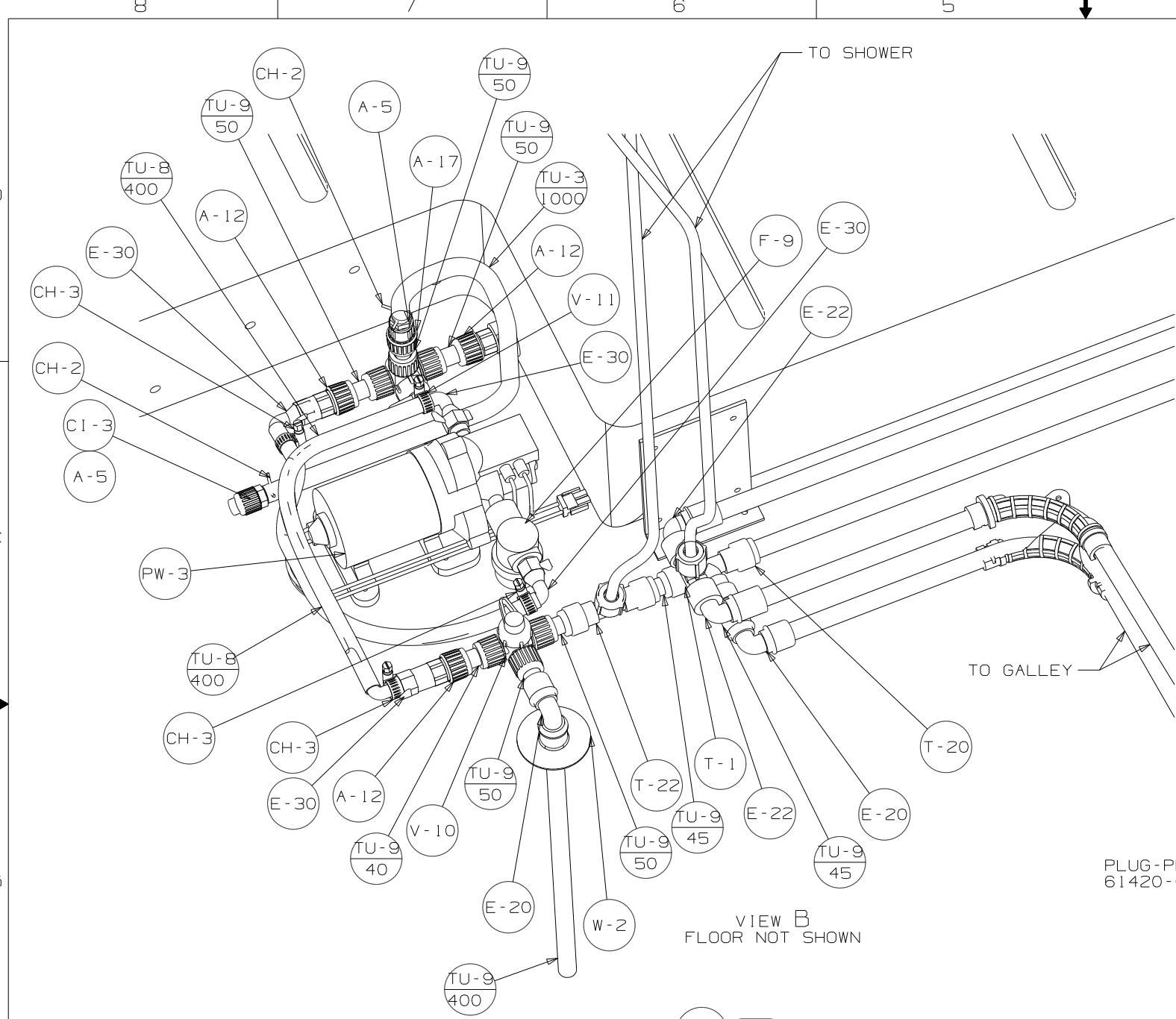
FAUCET-GALLEY, SGL CONTROL  
149164-01-CHT

PANEL-SHOWER  
78498-01-CHT

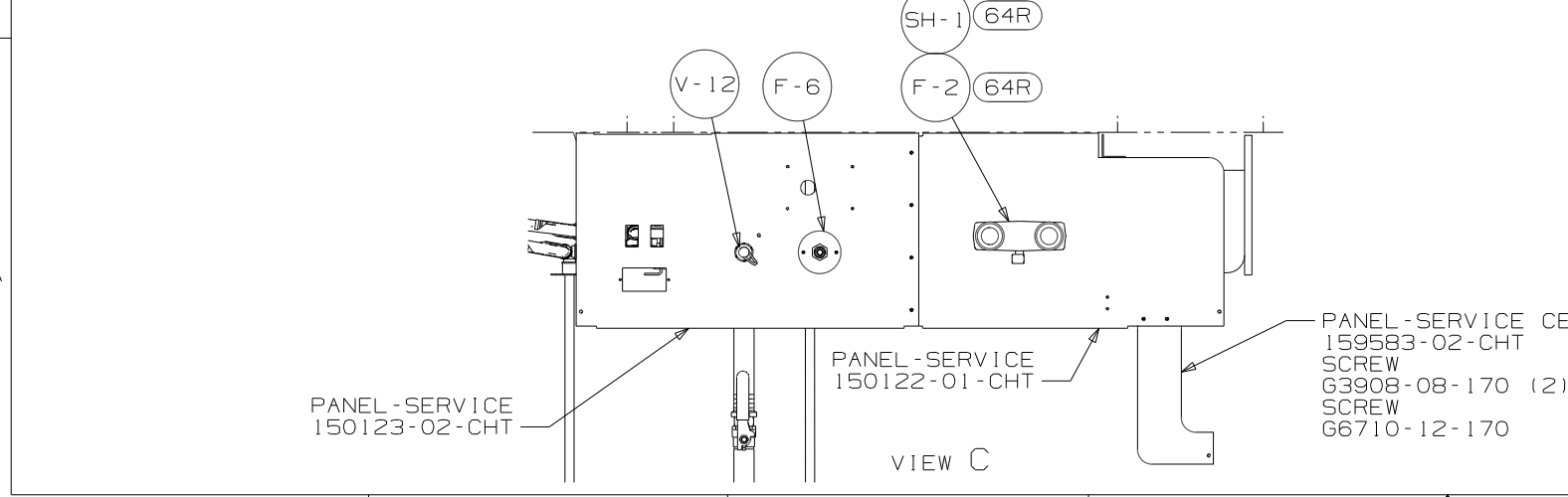


VIEW A

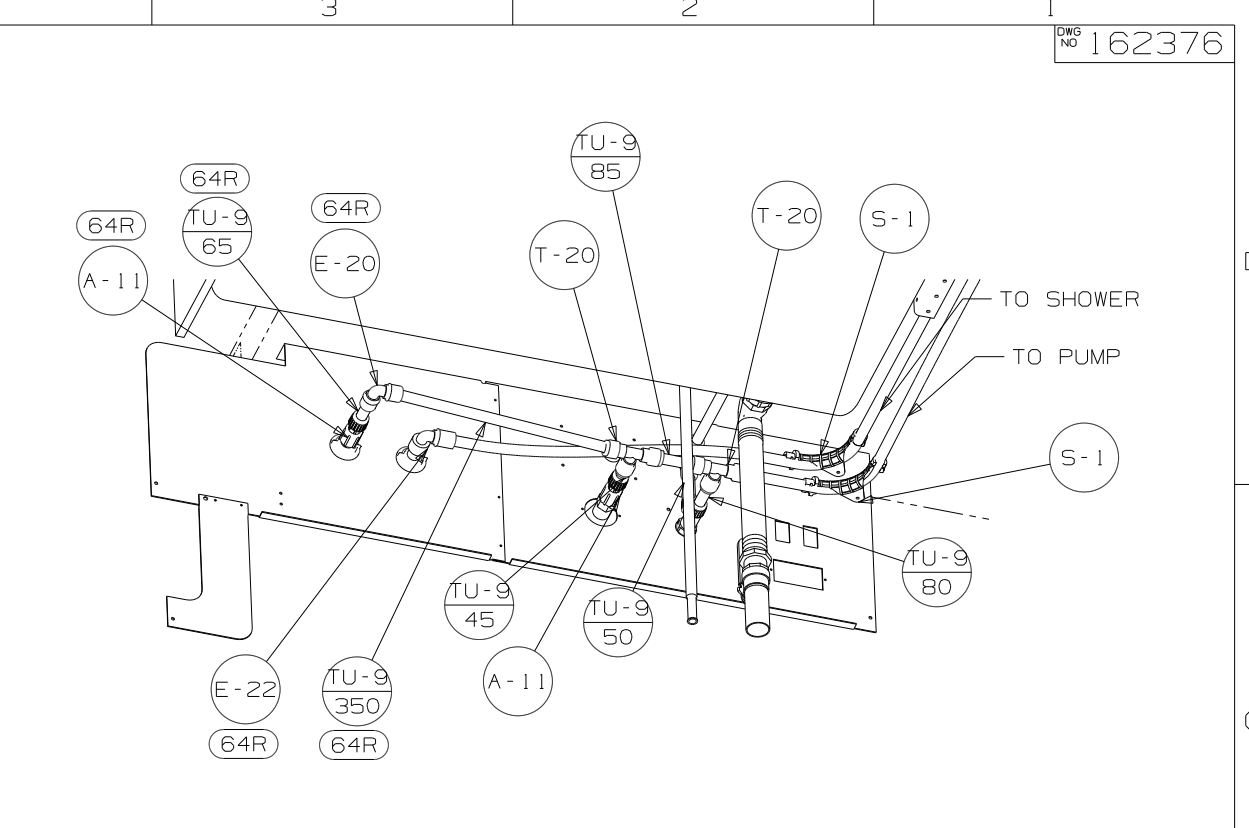
FIRST USED	08 D29R	
TITLE	DO NOT SCALE DRAWING	
TITLE	WATER SYSTEM INSTL	
SHEET 2	PART NO	REV
	162376	



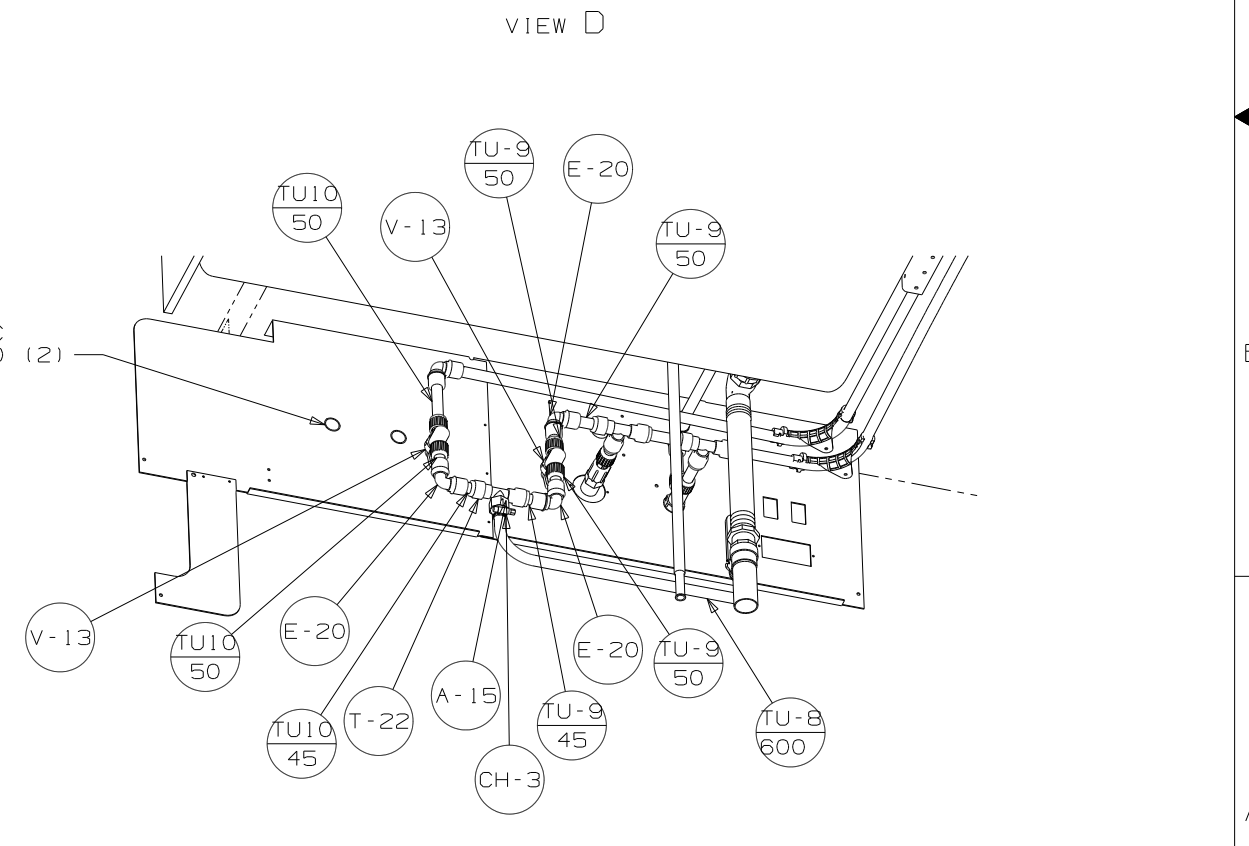
VIEW B  
FLOOR NOT SHOWN



VIEW C



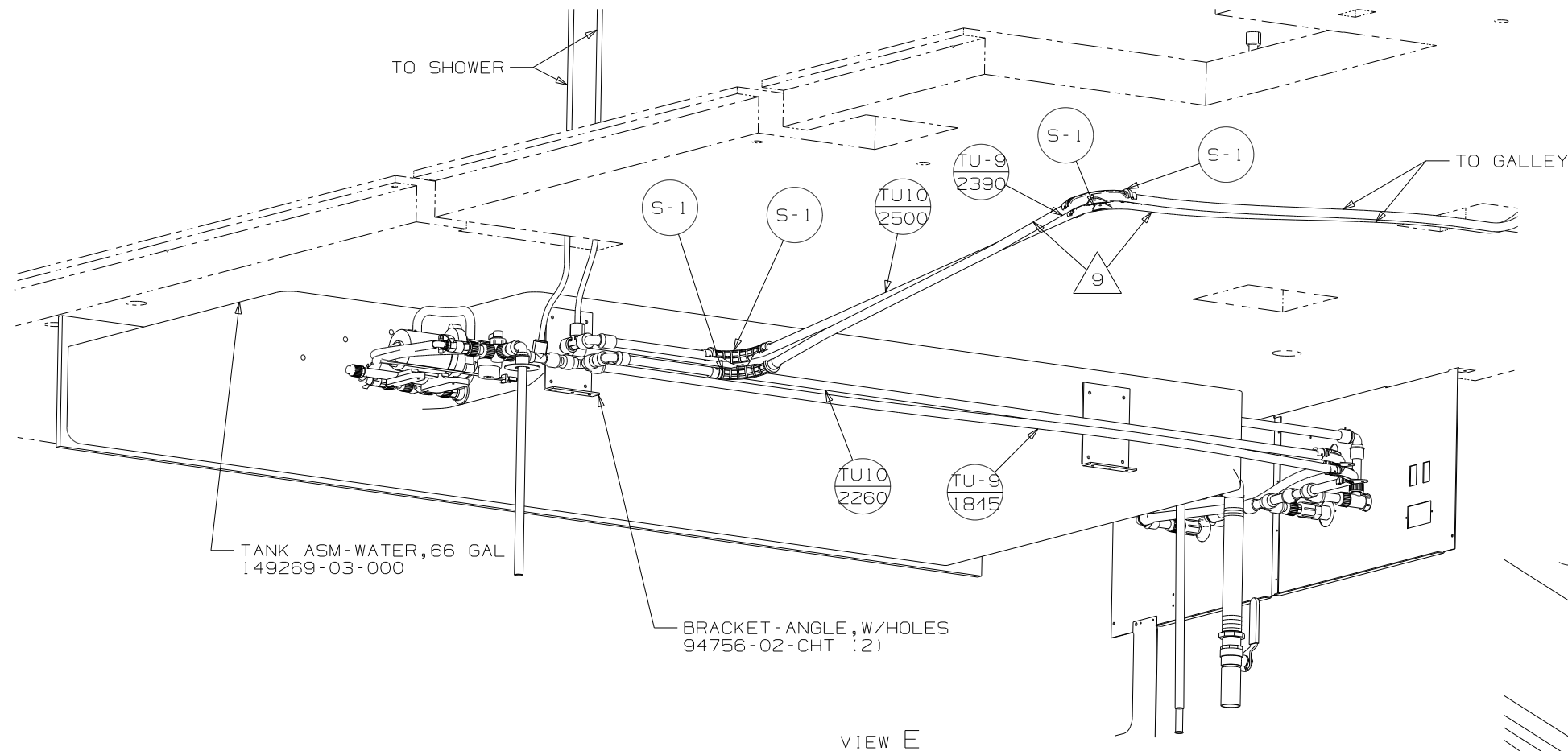
VIEW D



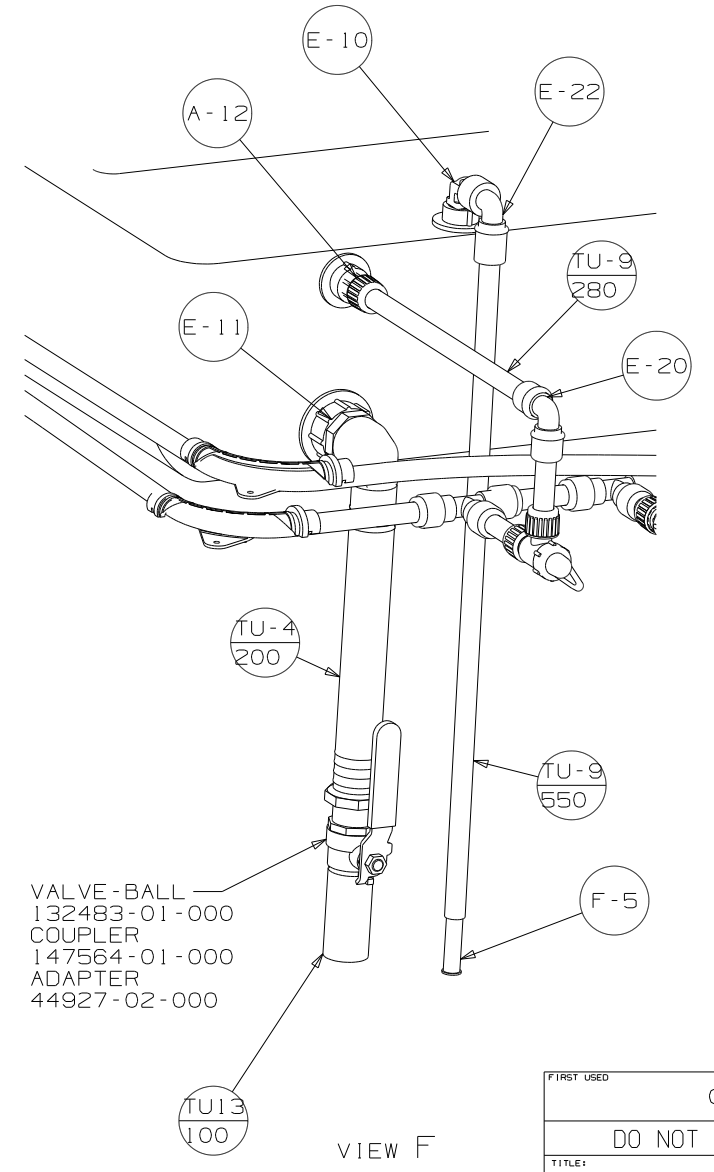
VIEW D  
(1J4)

PLUG-PLASTIC  
61420-09-000 (2)

FIRST USED	08 D29R
TITLE	DO NOT SCALE DRAWING
TITLE	WATER SYSTEM INSTL
SHEET 3	PART NO 162376 REV

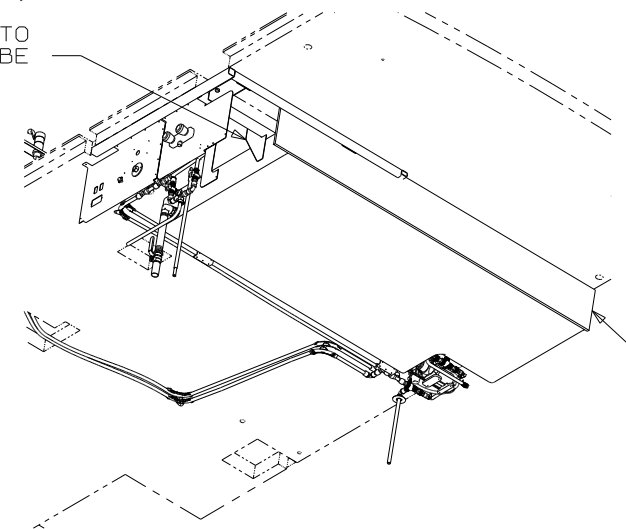


VIEW E



VIEW F

BRACKET - TIEDOWN, WATER TANK  
 139004-01-CHT  
 SCREW BRACKET TO  
 FLOOR FRAME TUBE



VIEW G

INSULATION-DRAINAGE COMPT  
 120050-54-000

FIRST USED	08 D29R
TITLE:	DO NOT SCALE DRAWING
	WATER SYSTEM INSTL
SHEET 4	PART NO 162376 REV