

FRONT  
OF  
COACH

- 10. USE SMOOTH PLUMBERS PUTTY 167459-01-000 TO SEAL STRAINER (QTY 2).
- 9. VALVE TERMINATION TEE TO BE POSITIONED AT 10° DOWN AND OUTBOARD.
- 8. SECURE PIPES TO CABINET USING WIRE TIE 108046-02-000, AND SCREW G67-10-12B.
- 7. SECURE VENT TUBES TO FLOOR WITH CLAMP 62401-02-000 (2), SCREW G67-10-12B (2), BRACKET 136878-01-CHT (2).
- 6. VENT PIPE MUST PROJECT 51 MIN AND 64 MAX ABOVE ROOF FOR PROPER FIT AND FUNCTION.
- 5. SEAL AROUND SHOWER WITH SILICONE.
- 4. ALL EXTERIOR OPENINGS AROUND PIPE TO BE SEALED WITH 131264-03-000.
- 3. ALL PIPE AND FITTINGS TO BE ASSEMBLED WITH SOLVENT 4020-01-000 (USA), 4020-02-000 (CAN)
- 2. SLOPE OF TRAP ARM MUST BE 6 PER 305 mm.
- 1. SLOPE OF HORIZONTAL PIPING TO BE MIN 3 PER 305 mm.

NOTES:

- (1B1) CODES/STANDARDS USA
- (265) CODES/STANDARDS-CSA/CMVSS

		COPYRIGHT 2008 WINNEBAGO INDUSTRIES, INC.
DFT: _____ CHK: _____ P.E.: _____ M.E.: _____ DSNR: _____	ORIG. DATE: _____ ALL DIMENSIONS ARE IN MILLIMETERS FIRST USED: 08 D26P	UNSPECIFIED TOLERANCES ARE: WHOLE DIM (X) : 3 ONE-PLACE (X.X) : 1.5 TWO-PLACE (X.XX) : 0.50 ANGLE : 1°
THIRD ANGLE PROJECTION		MATERIAL:
DO NOT SCALE DRAWING		
TITLE: DRAINAGE SYSTEM INSTL		
SHEET 1 OF 3	PART NO 164081	REV
1/2/18/2008		

FOR  
DRAINAGE  
CALLOUTS  
SEE DWG NO  
116229-01-000

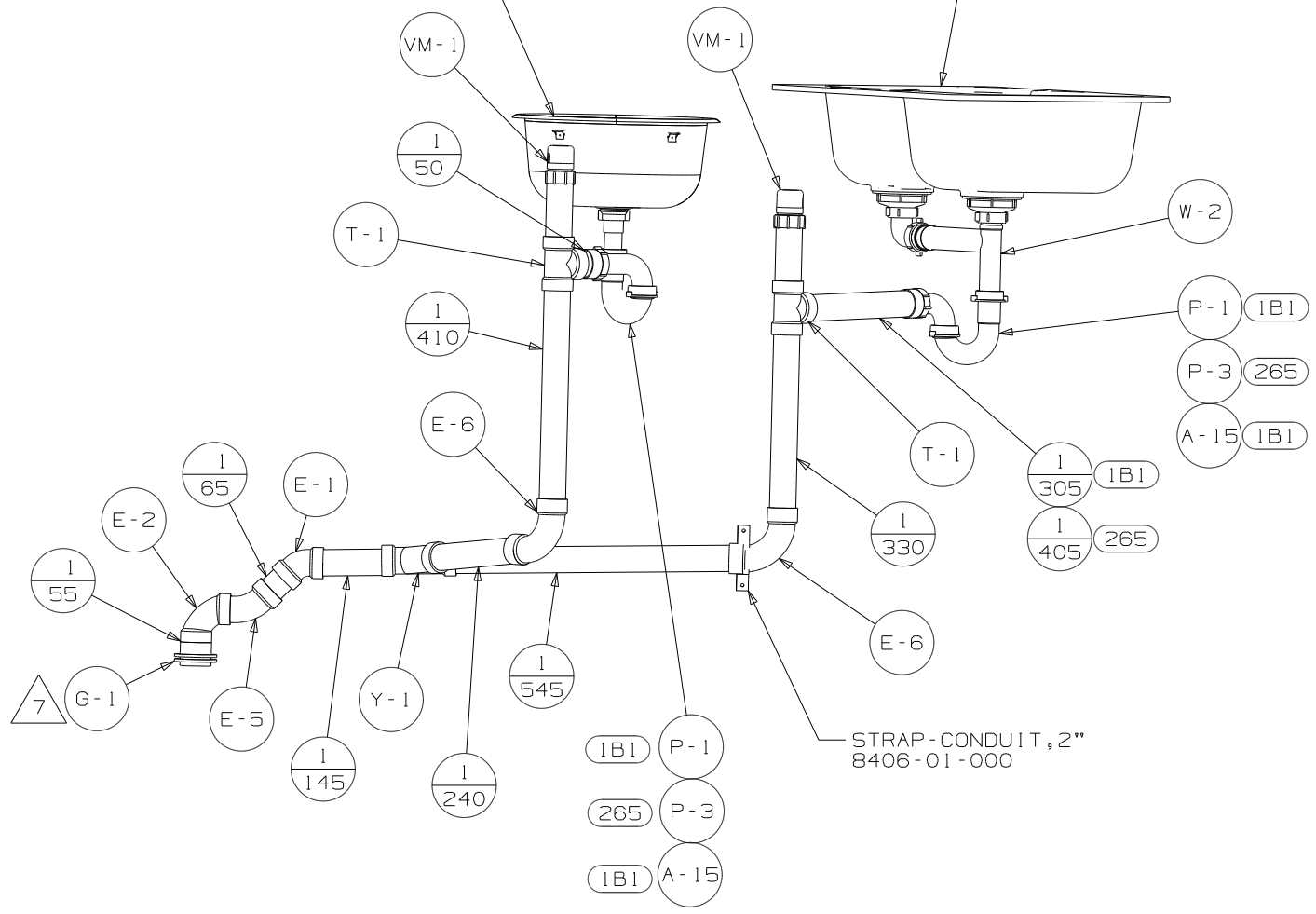


SINK-LAVATORY, RECTANGLE  
156661-01-CHT  
TAILPIECE  
106116-01-CHT  
GASKET  
106116-02-CHT  
SEAL  
91255-02-000 (A/R)

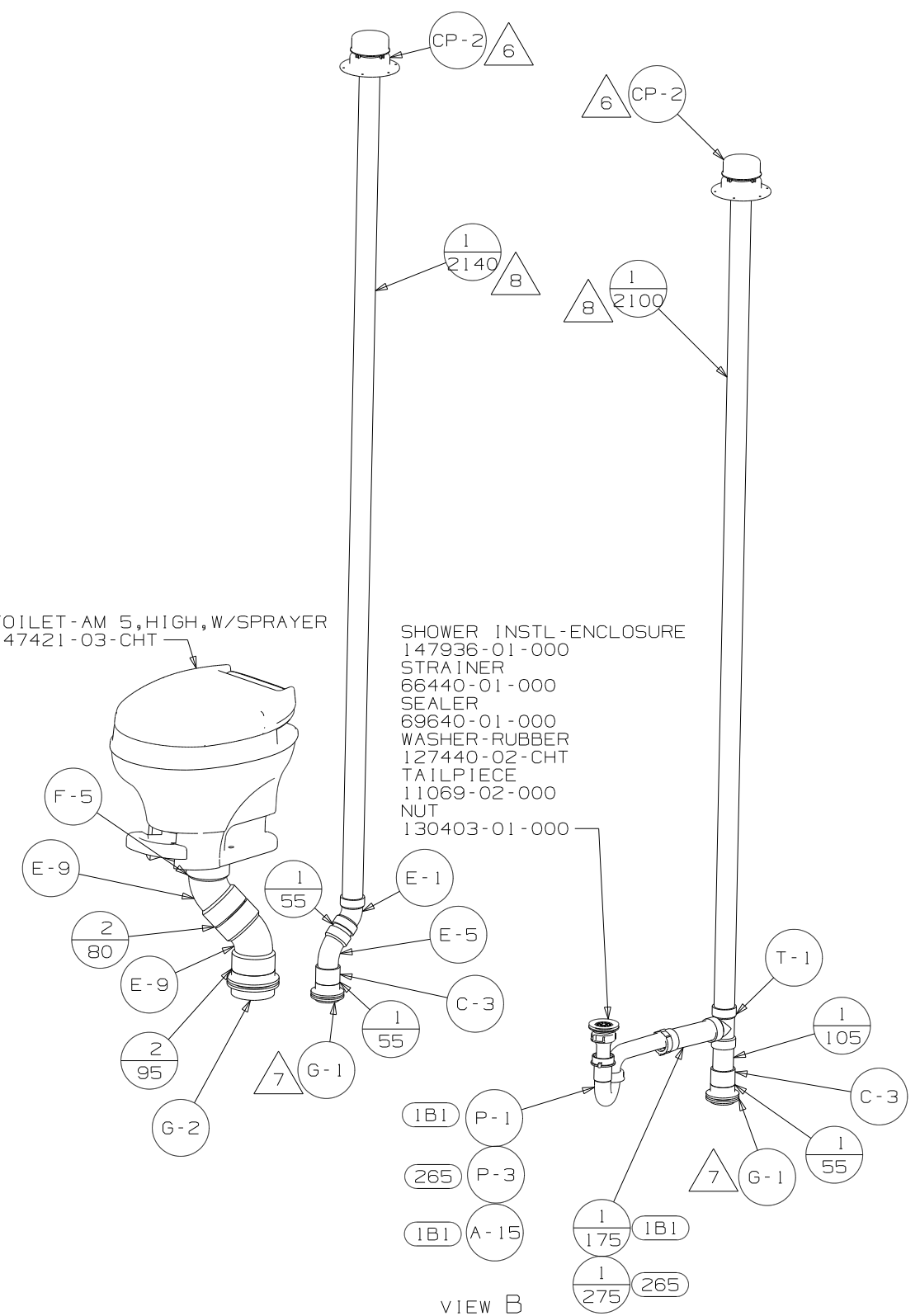
SINK-SMC, DBL L/S BASIN  
163942-02-CHT (US/CAN)  
STRAINER  
92303-01-000 (2)  
BRACKET AND SCREWS  
(SUPPLIED WITH SINK)  
SEAL  
(A/R)

TOILET-AM 5, HIGH, W/SPRAYER  
147421-03-CHT

SHOWER INSTL-ENCLOSURE  
147936-01-000  
STRAINER  
66440-01-000  
SEALER  
69640-01-000  
WASHER-RUBBER  
127440-02-CHT  
TAILPIECE  
11069-02-000  
NUT  
130403-01-000

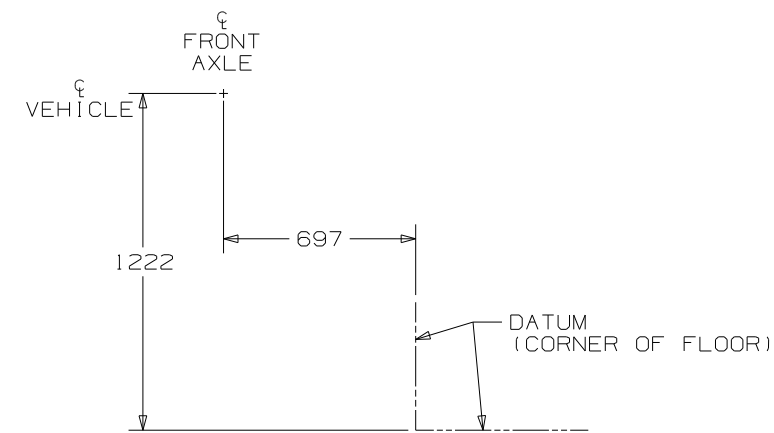


VIEW A

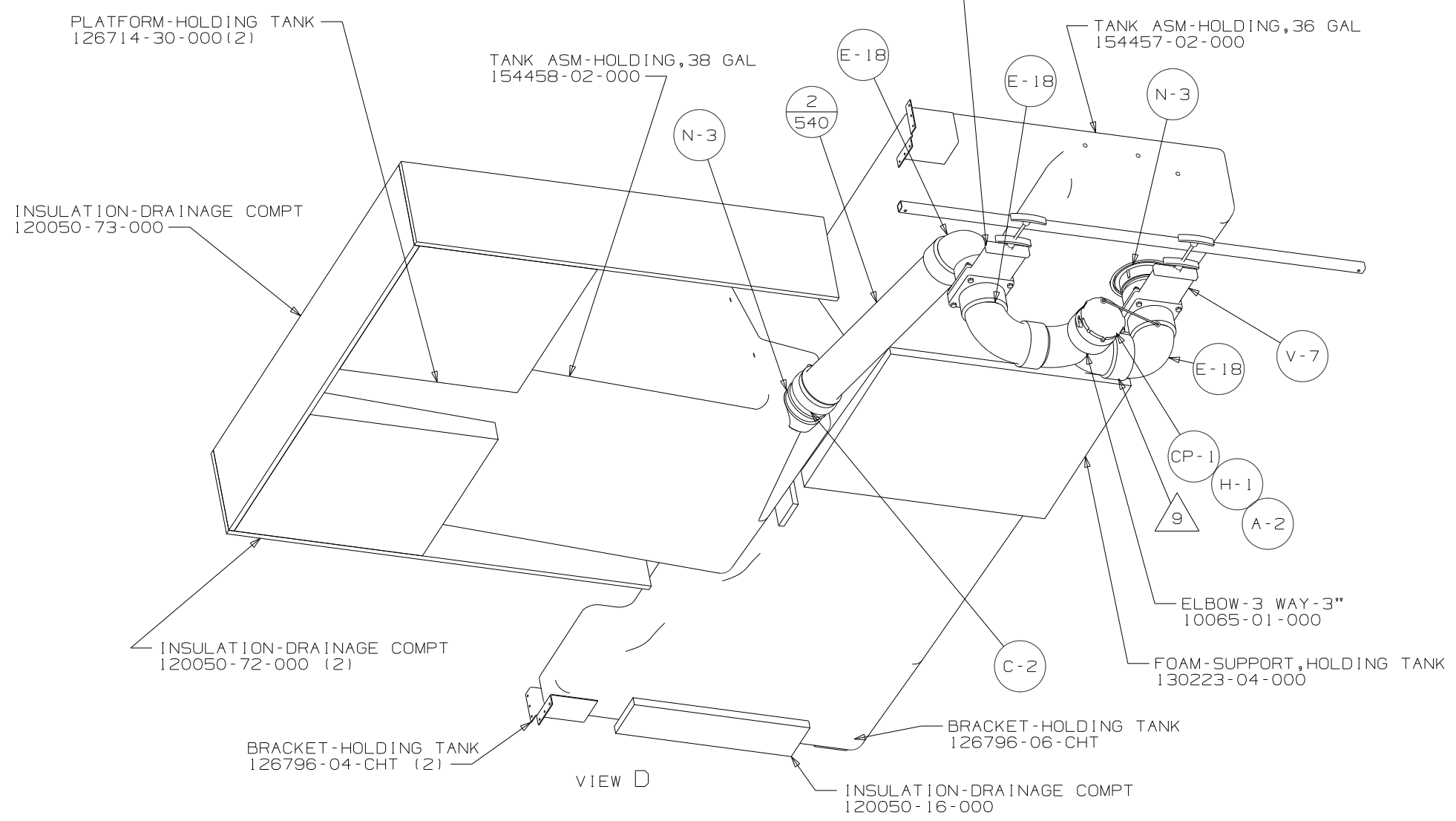
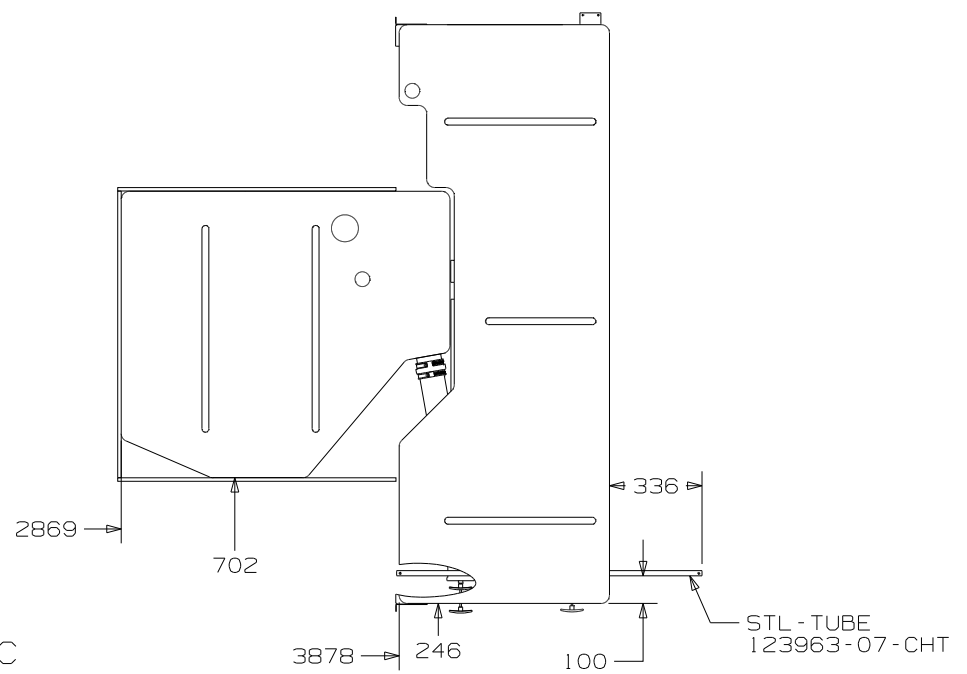


VIEW B

FIRST USED	08 D26P		
TITLE	DO NOT SCALE DRAWING		
	DRAINAGE SYSTEM INSTL		
SHEET 2	PART NO	164081	REV

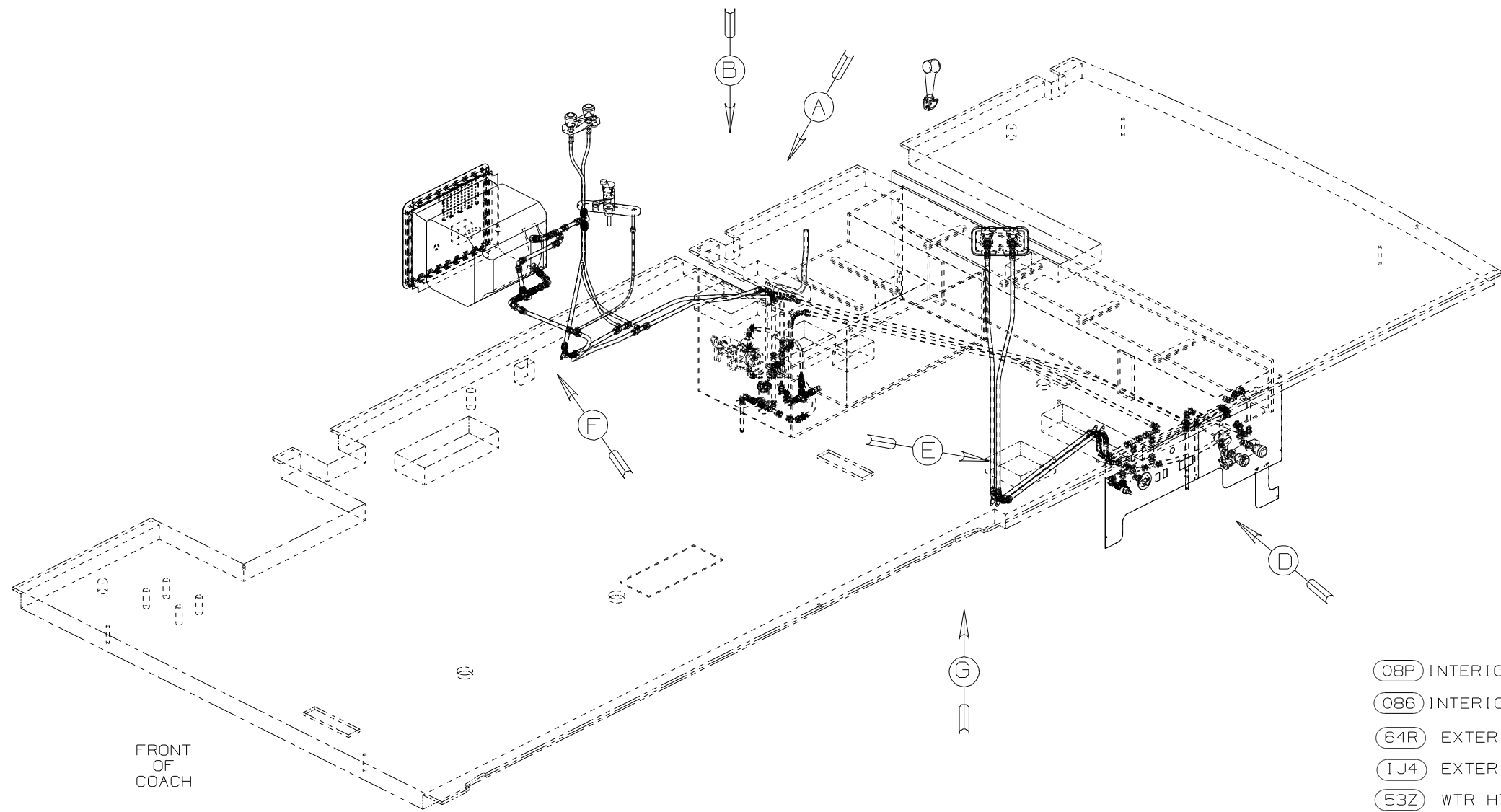


VIEW C



VIEW D

FIRST USED	08 D26P	
TITLE	DO NOT SCALE DRAWING	
SHEET 3	PART NO 164081	REV



- (08P) INTERIOR UPGRADE - WITHOUT
- (086) INTERIOR UPGRADE PACKAGE
- (64R) EXTERIOR WASH STATION
- (I4) EXTERIOR WASH STATION W/O
- (53Z) WTR HTR-6 GAL/110/LP/MTR/AUTO
- (53F) WATER HEATER ELEC. IGNITION

- △ 6 ADD PIPE WRAP (LADDER SCRAP 110157-02) INSULATION HERE.
- △ 5 ADD TEFLON TAPE 10405-01-000.
- △ 4 ADD TEFLON TAPE 10405-02-000.
- 3. ALL TUBING TO BE SECURED AT 1200 INTERVALS MAXIMUM WITH CLAMP 10495-01-000 AND SCREW G67-10-12B OR EQUIVALENT.
- 2. TUBING TO BE INSTALLED WITH SUFFICIENT SLOPE TO PROVIDE DRAINAGE TO NEAREST VALVE.
- 1. PLASTIC FITTINGS TO BE SEALED WITH SEALANT 84456-01-000.

NOTES:

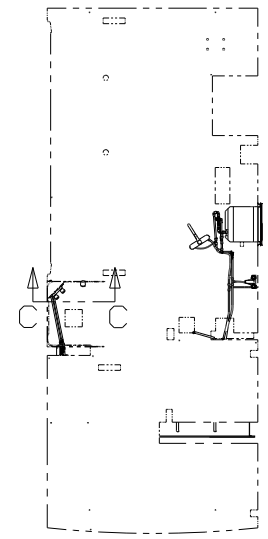
(X-X)  
FOR  
WATER  
CALLOUTS  
SEE DWG NO  
116230-01-000

<b>WINNEBAGO</b>		COPYRIGHT 2008 WINNEBAGO INDUSTRIES, INC.	
DFTR	ORIG. DATE	ALL DIMENSIONS ARE IN MILLIMETERS	
CHKR		FIRST USED	
P.E.		08 D26P	
M.E.		UNSPECIFIED TOLERANCES ARE:	
DSNR		MATERIAL:	
		WHOLE DIM (X)	: 3
		ONE-PLACE (X.X)	: 1.5
		TWO-PLACE (X.XX)	: 0.50
		ANGLE	: 1°
THIRD ANGLE PROJECTION		DO NOT SCALE DRAWING	
TITLE: WATER SYSTEM INSTL			
SHEET 1 OF 4	PART NO	164083	REV
REF:	1 2/11/2008		

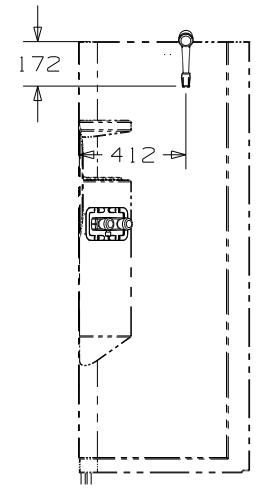
PANEL - SHOWER  
78498-01-CHT  
NUT - SPEED-U  
40921-05-000 (4)

FAUCET - GALLEY, SGL CONTROL  
149164-01-CHT

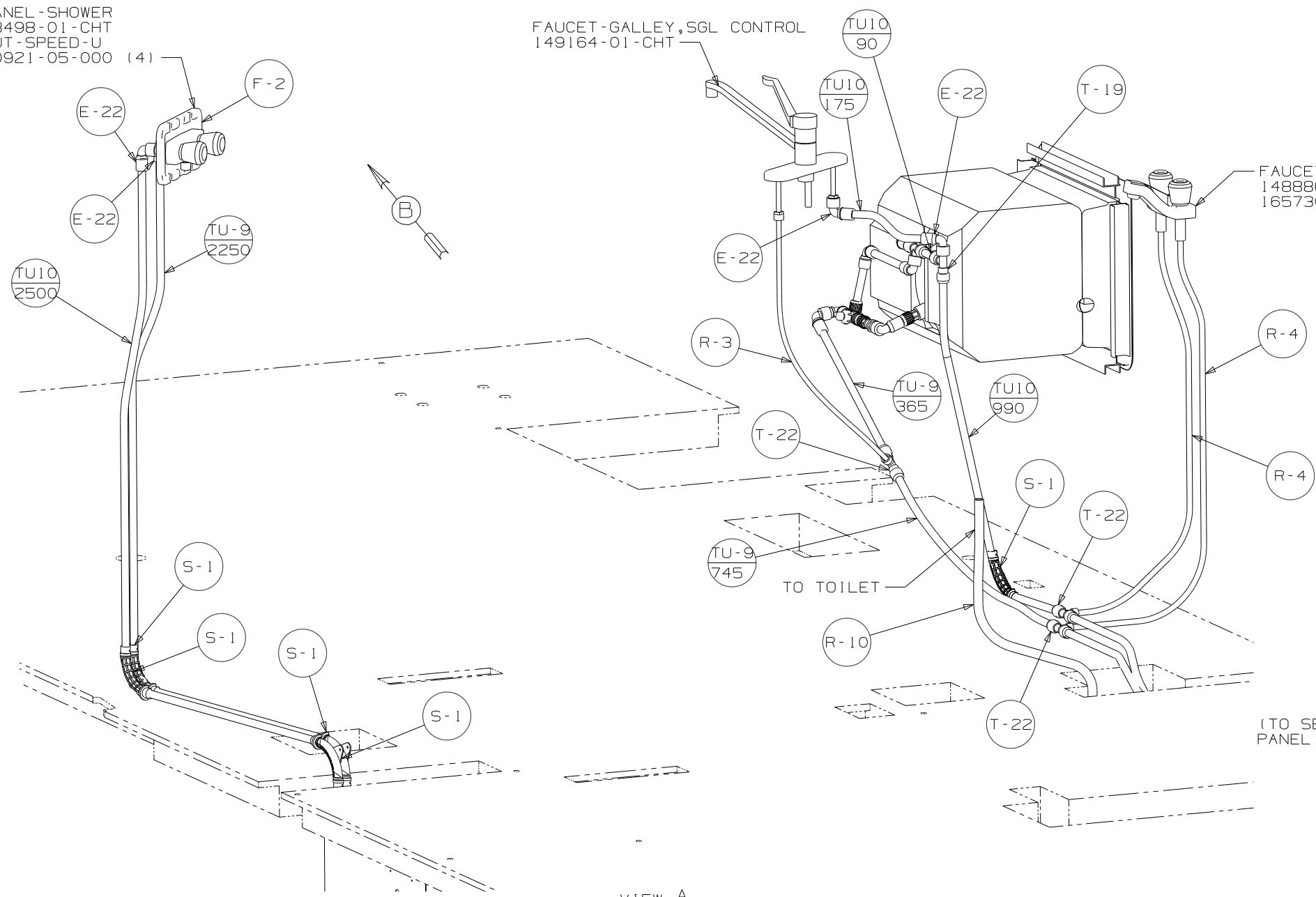
FAUCET - LAV, DUAL CONTROL  
148886-01-CHT (08P)  
165730-01-CHT (086)



VIEW B

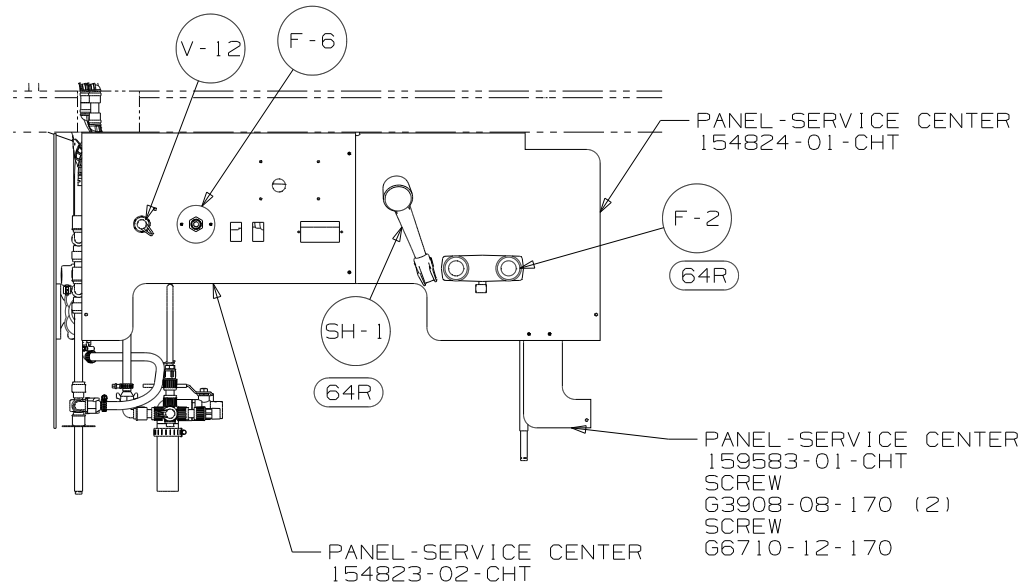


SECTION C-C

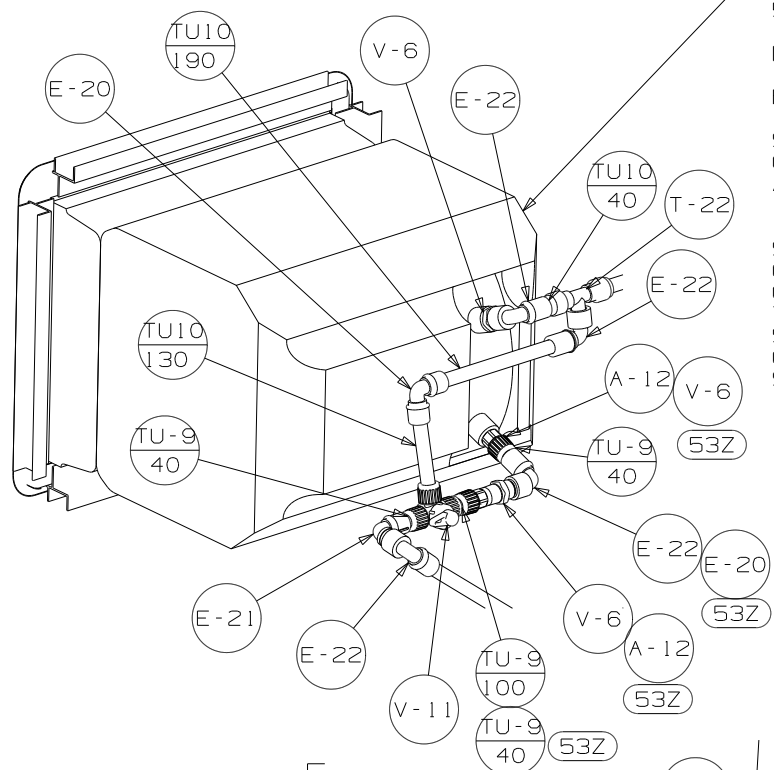


VIEW A

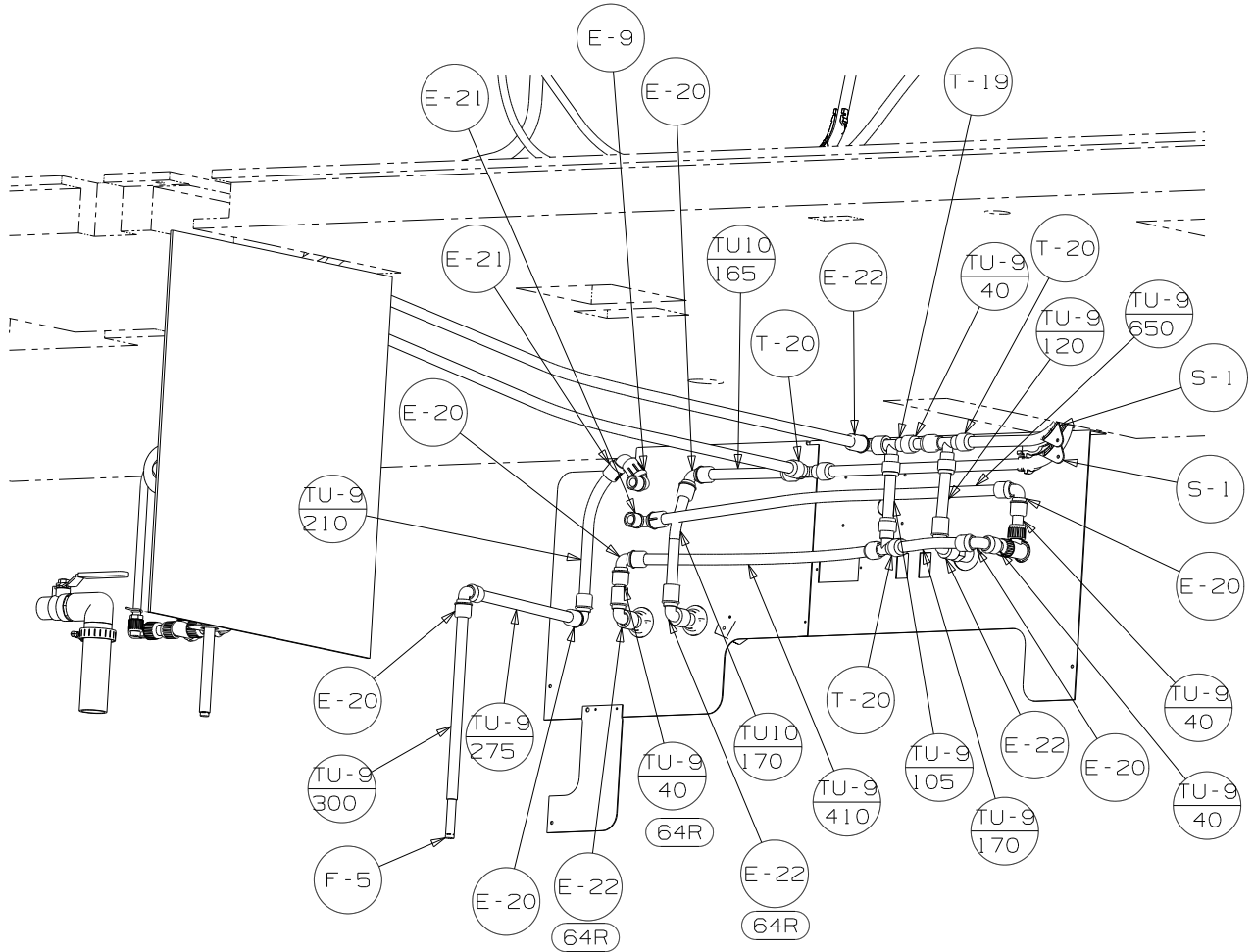
FIRST USED	08 D26P		
TITLE:	DO NOT SCALE DRAWING		
	WATER SYSTEM INSTL		
SHEET 2	PART NO	164083	REV



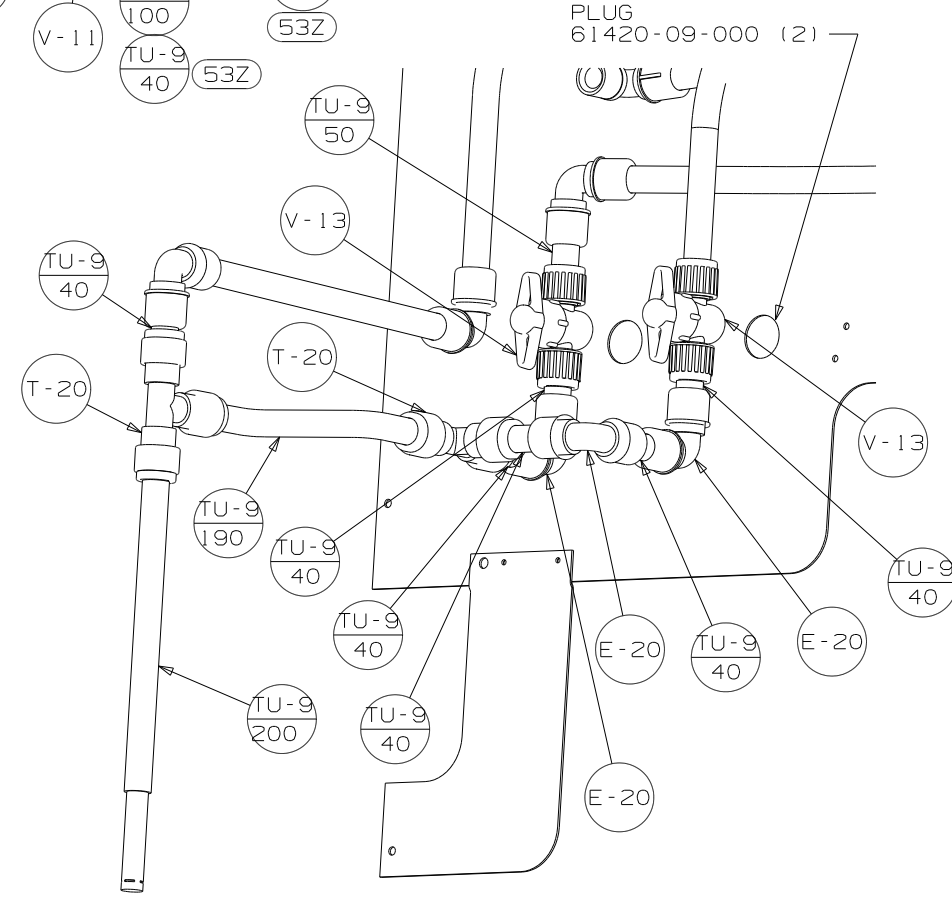
VIEW D



VIEW F

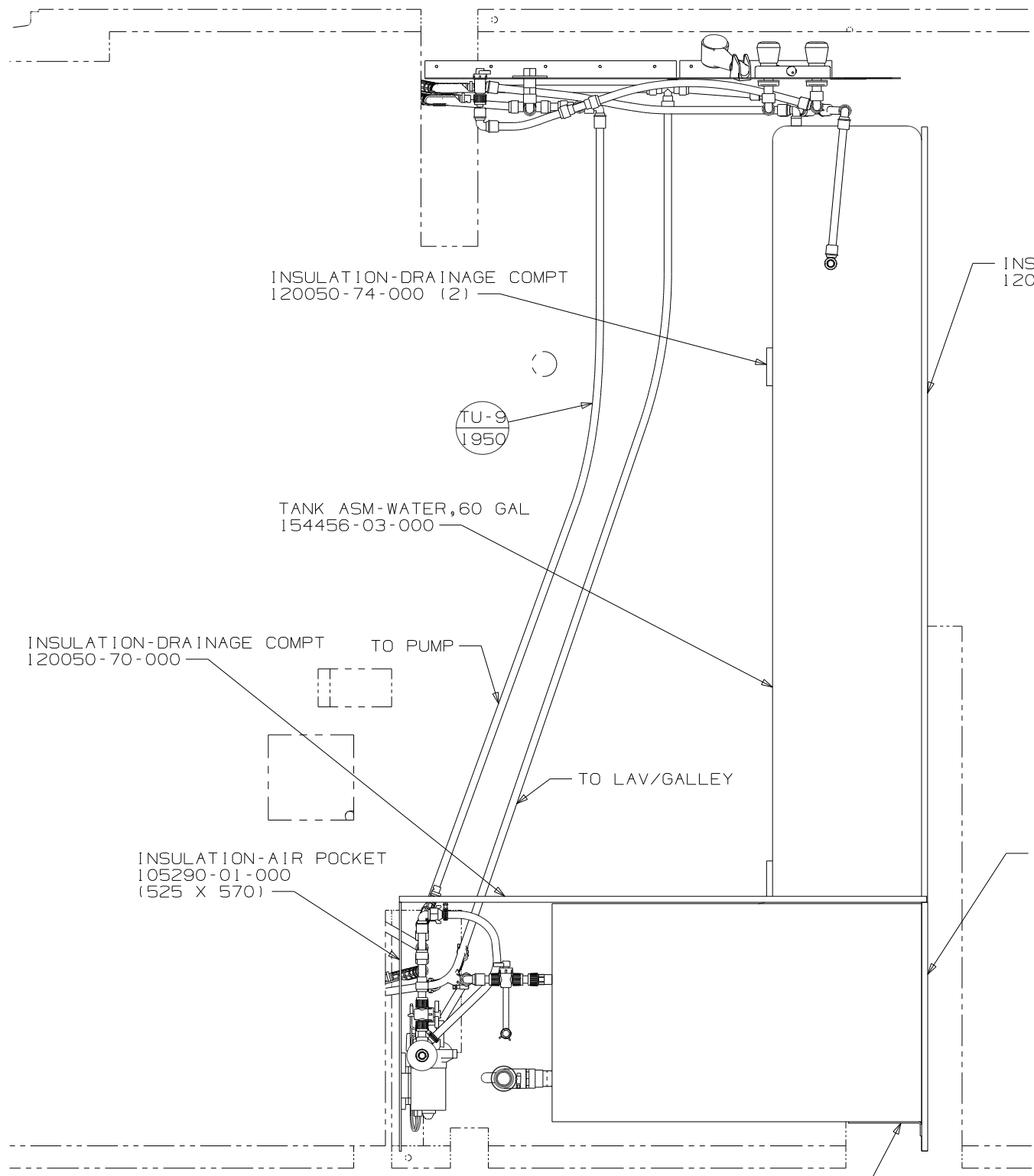


VIEW E

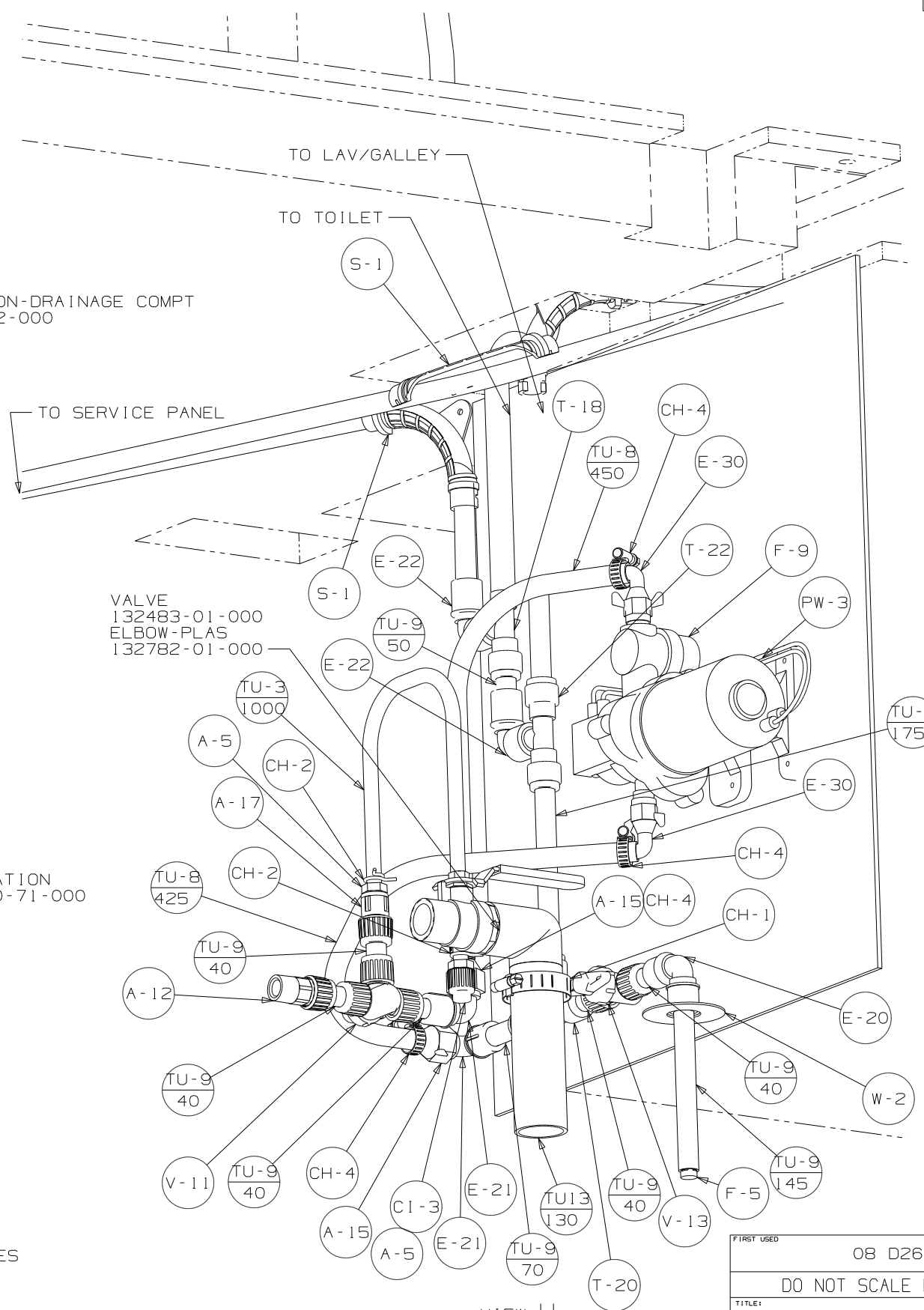


VIEW E  
(IJ4)

FIRST USED	08 D26P		
TITLE	DO NOT SCALE DRAWING		
TITLE	WATER SYSTEM INSTL		
SHEET 3	PART NO	164083	REV



VIEW G



VIEW H  
(TANK NOT SHOWN)

FIRST USED	08 D26P
DO NOT SCALE DRAWING	
TITLE:	WATER SYSTEM INSTL
SHEET 4	PART NO 164083