

(1B1) CODES/STANDARDS USA
 (265) CODES/STANDARDS-CSA/CMVSS

8. SECURE DRAINAGE PIPES TO CABINET USING WIRE TIE 108046-02-000, AND SCREW G67-10-12B AT INTERVALS OF NOT MORE THAN 4 FEET APART.
7. SECURE VENT PIPE TO FLOOR WITH CLAMP 62401-02-000 (2), SCREW G67-10-12B (2), BRACKET 136878-01-CHT (2).
6. VENT PIPE MUST PROJECT 51 MIN AND 64 MAX ABOVE ROOF FOR PROPER FIT AND FUNCTION. ADD S-1 (116666-01-CHT SEAL-VENT PIPE) AROUND PIPE ON ROOF BEFORE VENT CAP IS INSTALLED.
5. SEAL AROUND SHOWER WITH SILICONE.
4. ALL EXTERIOR OPENINGS AROUND PIPE TO BE SEALED WITH 131264-03-000.
3. ALL PIPE AND FITTINGS TO BE ASSEMBLED WITH SOLVENT 4020-01-000 (USA), 4020-02-000 (CAN)
2. SLOPE OF TRAP ARM MUST BE 6 PER 305 mm.
1. SLOPE OF HORIZONTAL PIPING TO BE MINIMUM OF 3 PER 305 mm.

WINNEBAGO		COPYRIGHT 2008 WINNEBAGO INDUSTRIES, INC.	
DFT	ORIG. DATE	ALL DIMENSIONS ARE IN MILLIMETERS	
CHKR		FIRST USED	
P.E.		08 729H	
M.E.		UNSPECIFIED TOLERANCES ARE:	
DSNR		MATERIAL:	
		WHOLE DIM (X)	: 3
		ONE-PLACE (X.X)	: 1.5
		TWO-PLACE (X.XX)	: 0.50
		ANGLE	: 1°
		THIRD ANGLE PROJECTION	
DO NOT SCALE DRAWING			
TITLE: DRAINAGE SYSTEM INSTL			
SHEET 1 OF 3	PART NO	161340	REV
REF:	1 1/24/2008		

FOR
DRAINAGE
CALLOUTS
SEE DWG NO
116229-01-000

NOTES:

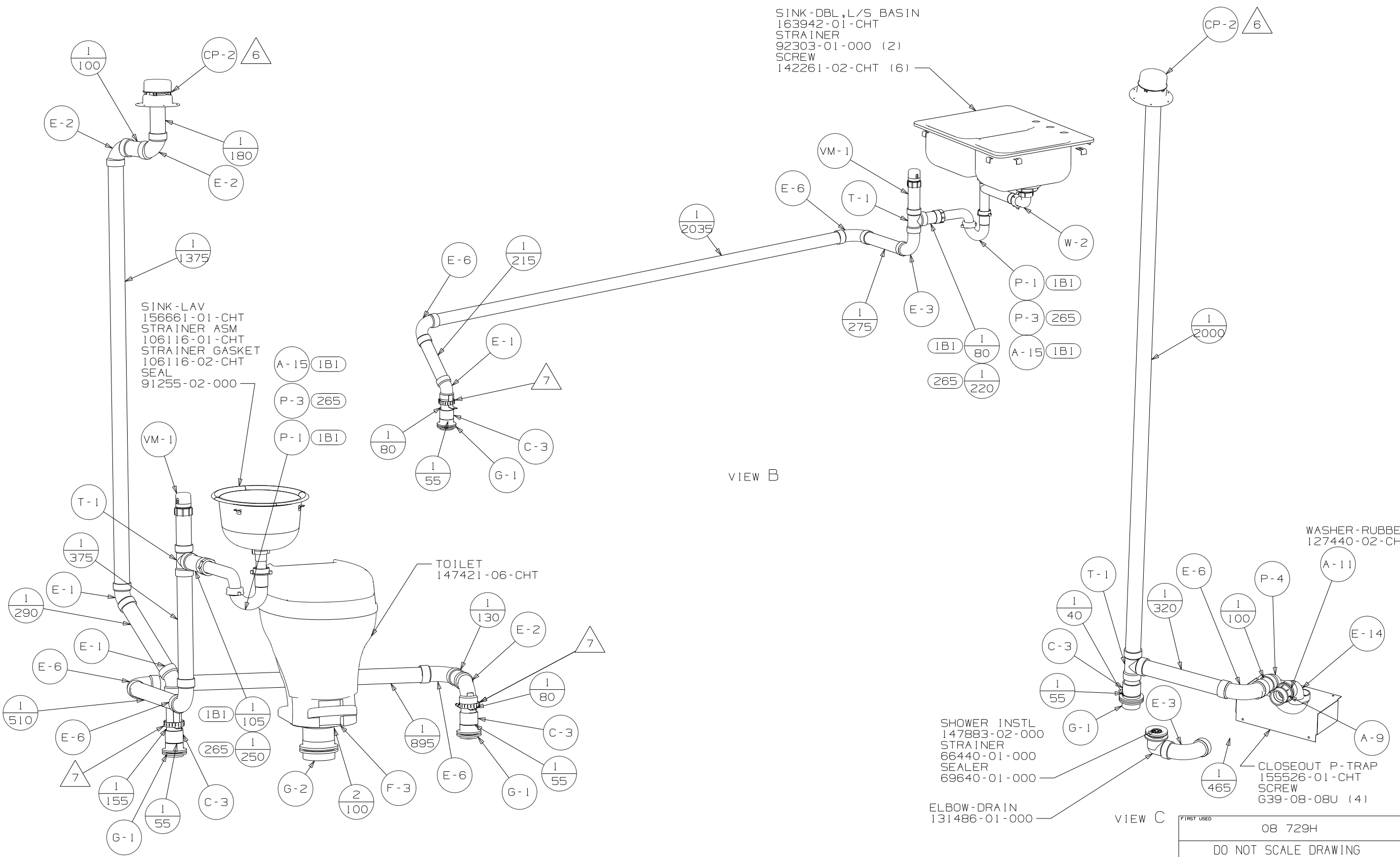
SINK-DBL,L/S BASIN
163942-01-CHT
STRAINER
92303-01-000 (2)
SCREW
142261-02-CHT (6)

SINK-LAV
156661-01-CHT
STRAINER ASM
106116-01-CHT
STRAINER GASKET
106116-02-CHT
SEAL
91255-02-000

TOILET
147421-06-CHT

SHOWER INSTL
147883-02-000
STRAINER
66440-01-000
SEALER
69640-01-000

CLOSEOUT P-TRAP
155526-01-CHT
SCREW
G39-08-08U (4)

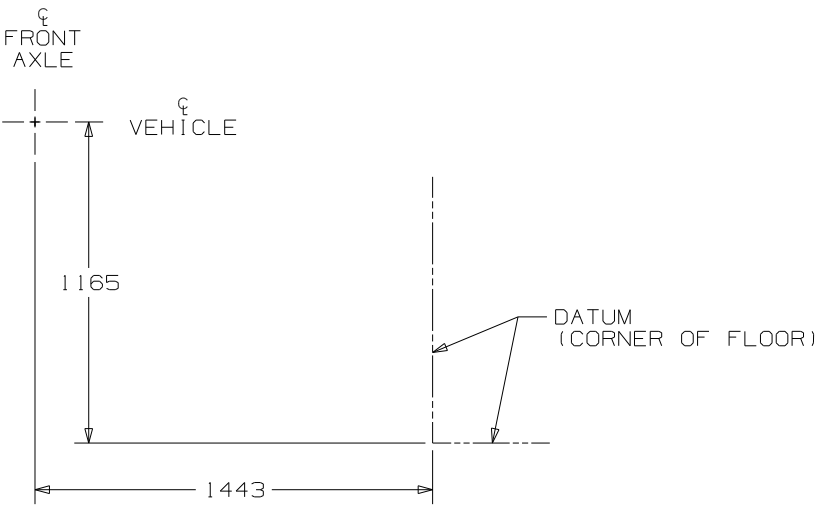


VIEW A

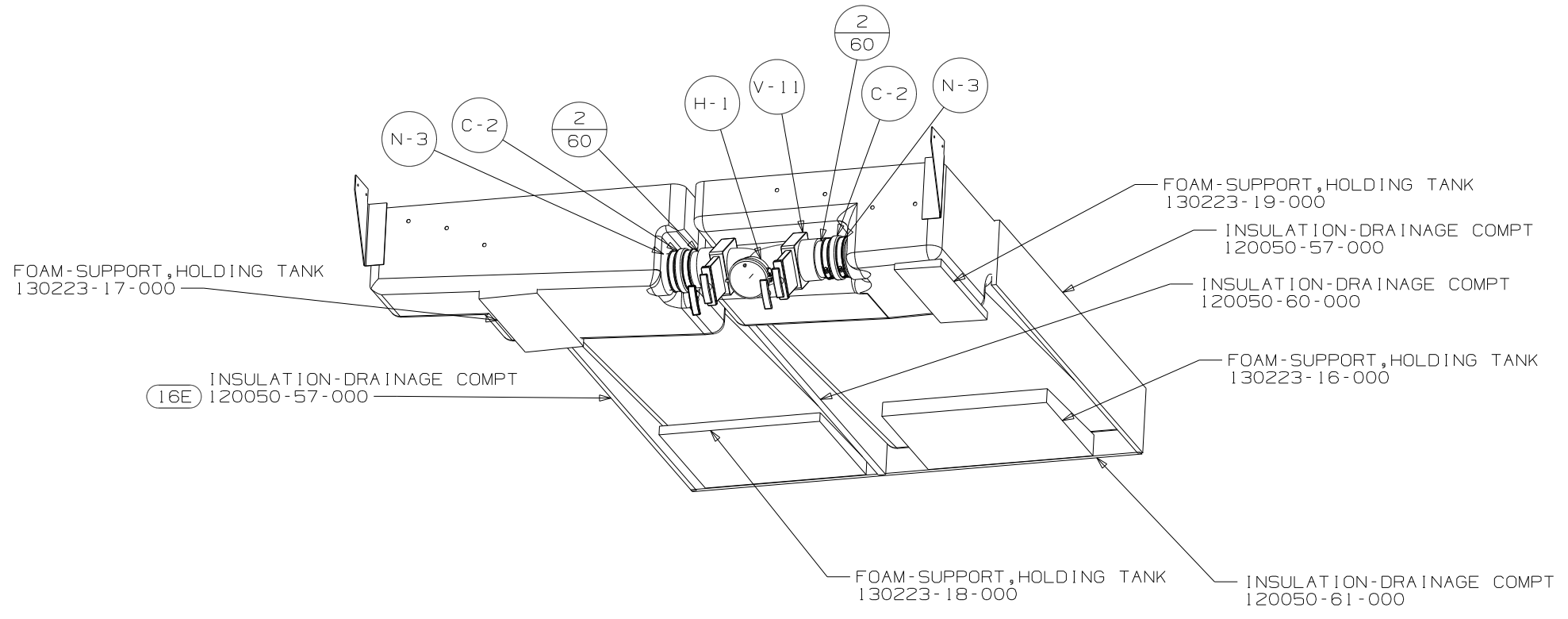
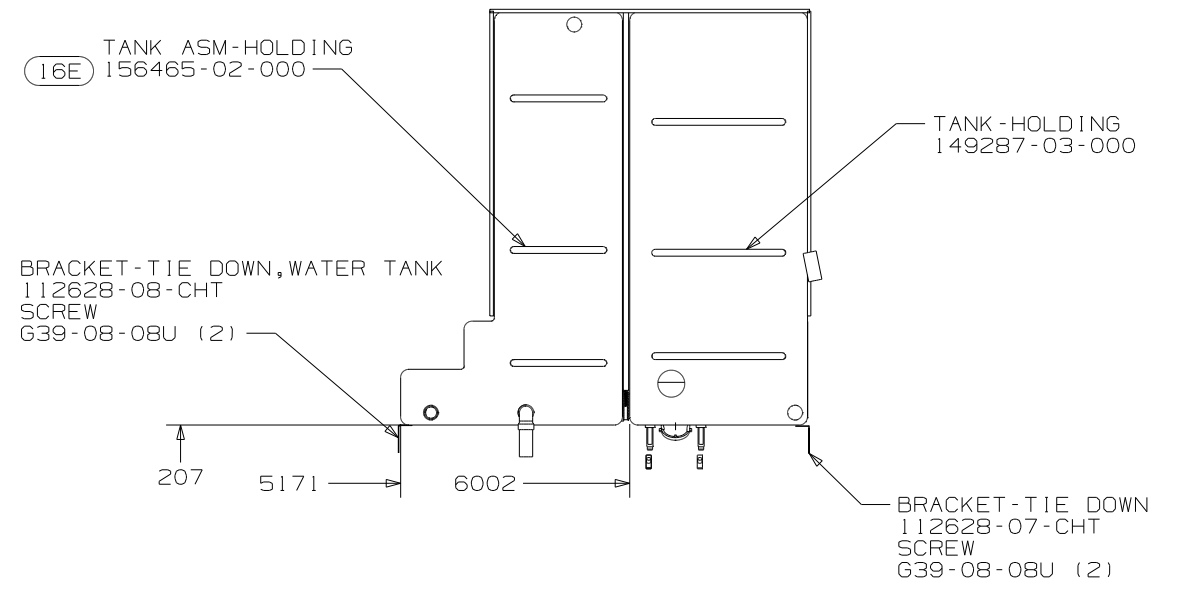
VIEW B

VIEW C

FIRST USED	08 729H	
DO NOT SCALE DRAWING		
TITLE:	DRAINAGE SYSTEM INSTL	
SHEET 2	PART NO	161340
REV		



VIEW D

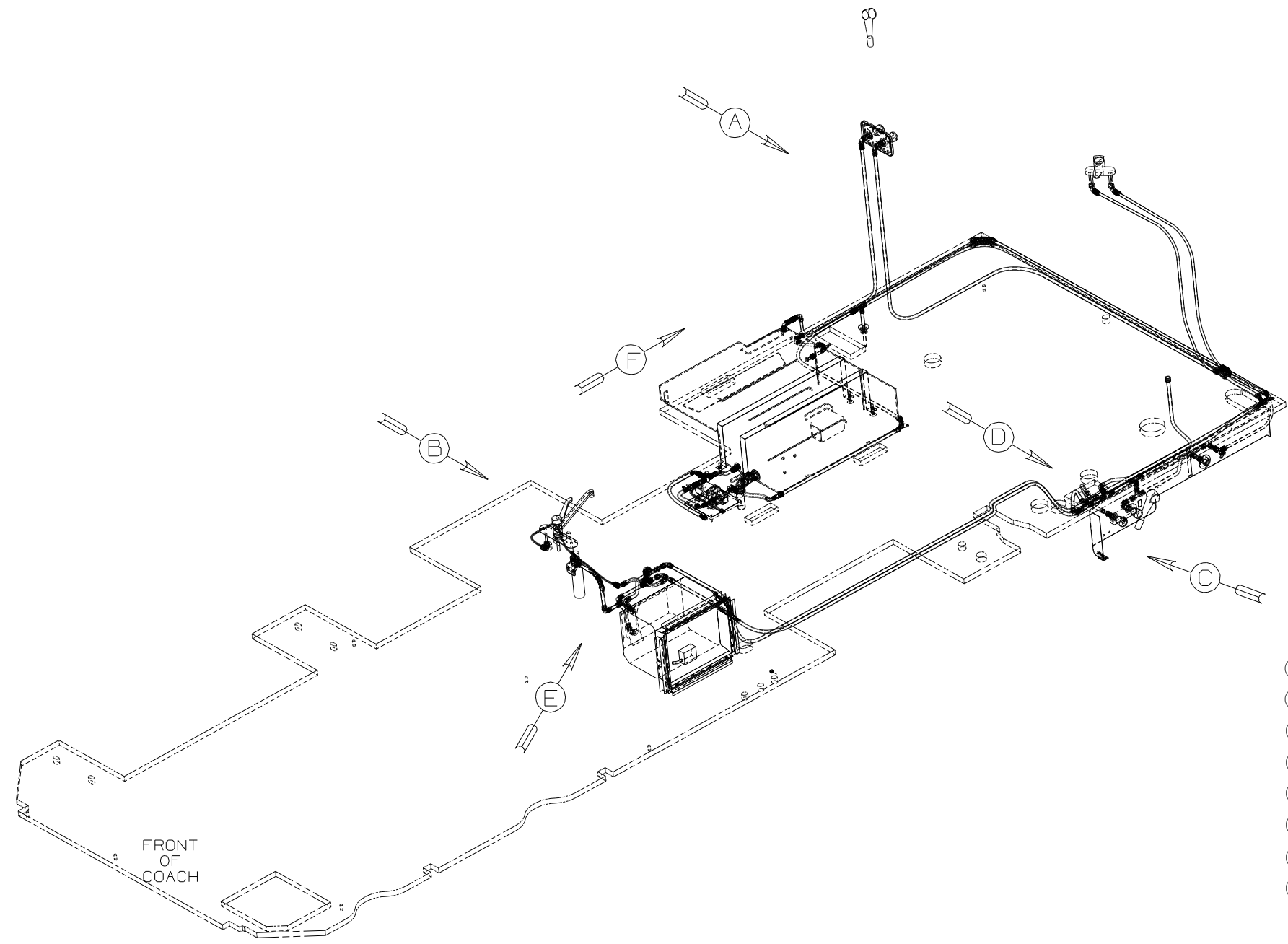


VIEW E

FIRST USED	08 729H	
TITLE	DO NOT SCALE DRAWING	
	DRAINAGE SYSTEM INSTL	
SHEET 3	PART NO 161340	REV

8 7 6 5 4 3 2

RELEASE	REV DATE	DWG NO
A		161347
REV ZONE	REVISION RECORD	DATE DFR-ORIG



- (53B) WTR HTR-6GAL ELECTRIC/LP GAS
- (53F) WATER HEATER-ELEC.IGNITION
- (29B) WATER PURIFIER
- (501) WATER PURIFIER WITHOUT
- (54E) WATER SYS WINTERIZATION PKG
- (64R) EXTERIOR WASH STAION
- (1J4) EXT WASH STATION-WITHOUT
- (1H6) AIR SPRINGS-WITHOUT

- 7 INSTALL BYPASS PLUG FOR TESTING AND SHIPPING.
 - 6 ADD TEFLON TAPE 10405-03-000.
 - 5 ADD TEFLON TAPE 10405-01-000.
 - 4 ADD TEFLON TAPE 10405-02-000.
3. ALL TUBING TO BE SECURED AT 1200 INTERVALS MAXIMUM WITH CLAMP 10495-01-000 AND SCREW G67-10-12B OR EQUIVALENT.
2. TUBING TO BE INSTALLED WITH SUFFICIENT SLOPE TO PROVIDE DRAINAGE TO NEAREST VALVE.
1. PLASTIC FITTINGS TO BE SEALED WITH SEALANT 84456-01-000.

8. ADD PIPE WRAP (LAADER SCRAP) INSULATION HERE; OR USE CARPET PAD (SCRAP) 075233-06-000.

(X-X)
FOR WATER CALLOUTS SEE DWG NO 116230-01-000

WINNEBAGO		COPYRIGHT 2008 WINNEBAGO INDUSTRIES, INC.	
DFTR	ORIG. DATE	ALL DIMENSIONS ARE IN MILLIMETERS	
CHKR		FIRST USED	
P.E.		08 729H	
M.E.		UNSPECIFIED TOLERANCES ARE:	
DSNR		MATERIAL:	
		WHOLE DIM (X)	: 3
		ONE-PLACE (X.X)	: 1.5
		TWO-PLACE (X.XX)	: 0.50
		ANGLE	: 1°
THIRD ANGLE PROJECTION		DO NOT SCALE DRAWING	
TITLE: WATER SYSTEM INSTL			
SHEET 1 OF 3	PART NO	161347	REV
REF:	1 2/11/2008		

8 7 6 5 4 3 2

- WATER HEATER 51391-03-000 (53F)
- 145541-02-000 (53B)
- DOOR 125420-06-CHT
- FLANGE 152239-01-CHT
- EXTR 151293-51-004 (2)
- 151293-51-005 (2)
- SCREW 639-10-169 (16)
- SEALANT 69640-14-000
- 112864-01-000
- CABLE 76767-03-000
- SCREW 611-06-08B (2)

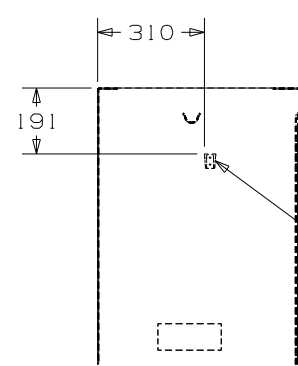
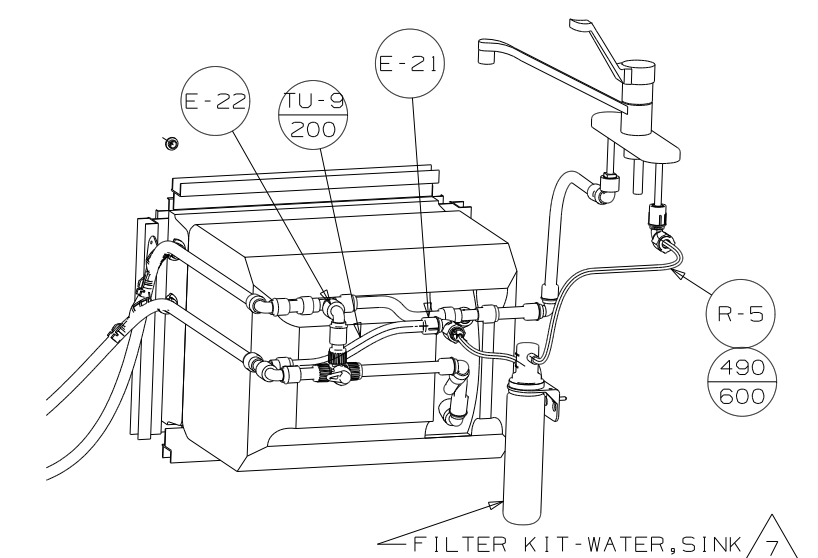
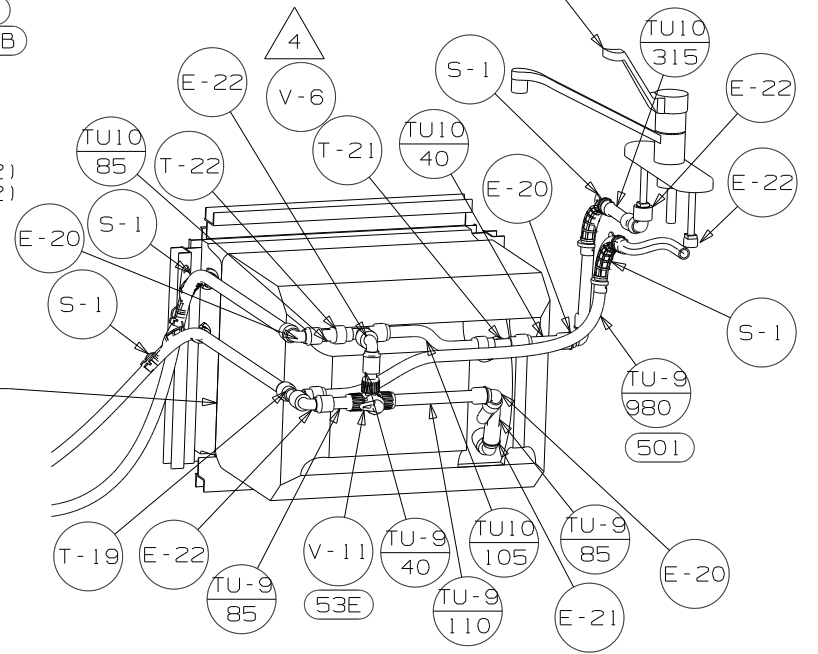
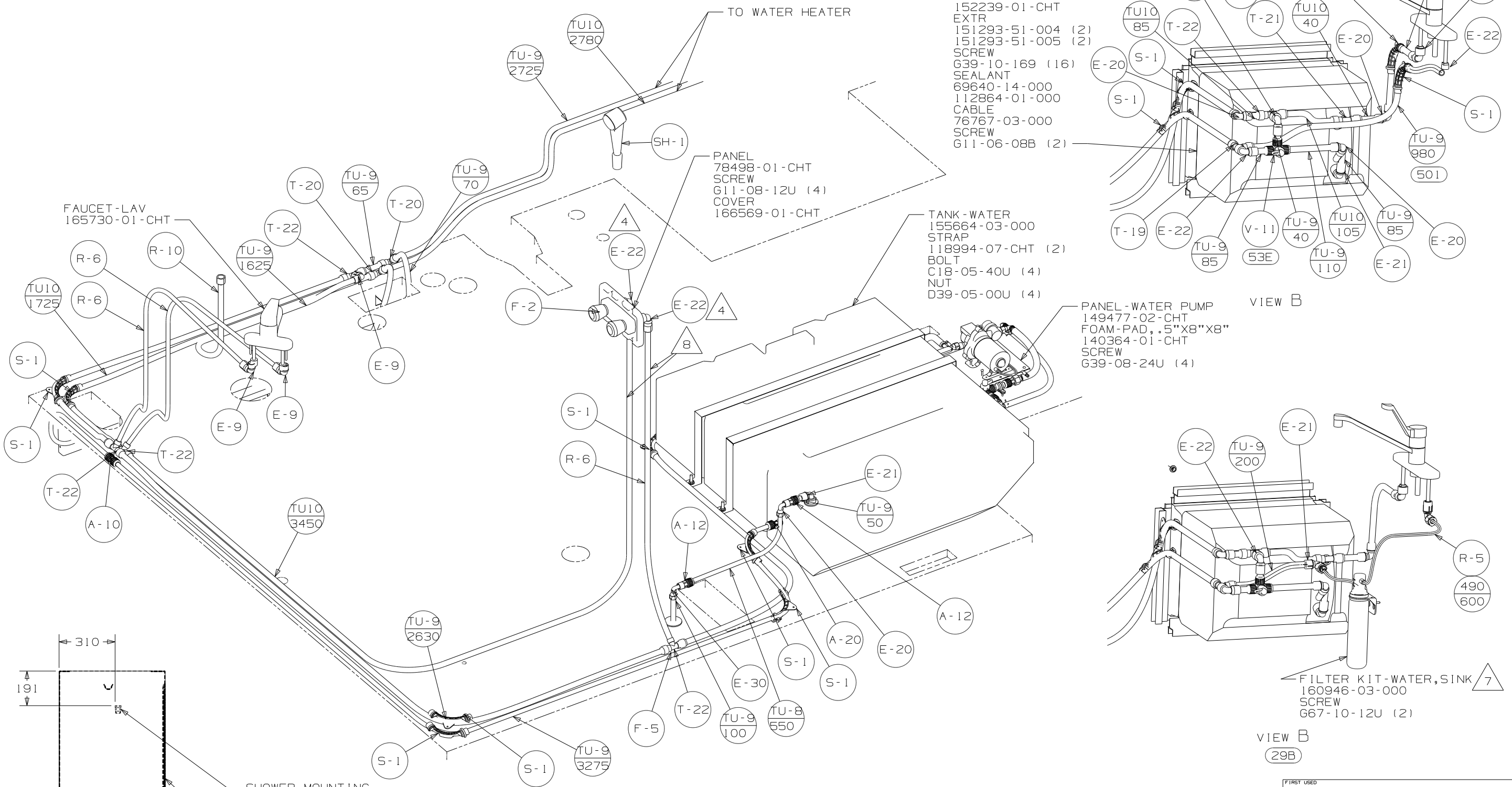
- PANEL 78498-01-CHT
- SCREW 611-08-12U (4)
- COVER 166569-01-CHT

- TANK-WATER 155664-03-000
- STRAP 118994-07-CHT (2)
- BOLT C18-05-40U (4)
- NUT D39-05-00U (4)

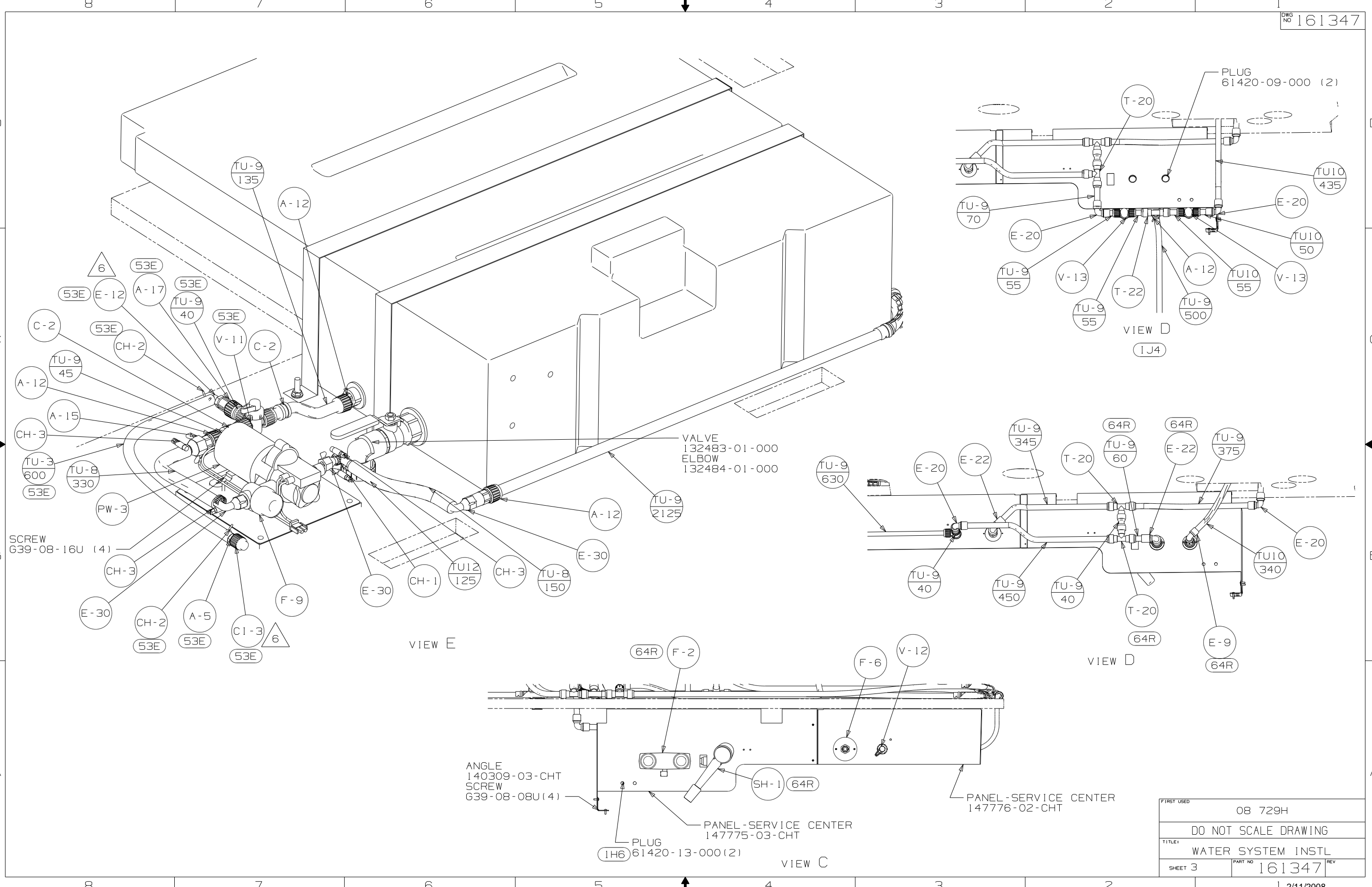
- PANEL-WATER PUMP 149477-02-CHT
- FOAM-PAD, .5"X8"X8" 140364-01-CHT
- SCREW 639-08-24U (4)

- FAUCET-GALLEY, DUAL 149164-01-CHT

- FILTER KIT-WATER, SINK 160946-03-000
- SCREW 667-10-12U (2)



FIRST USED	08 729H
DO NOT SCALE DRAWING	
TITLE:	WATER SYSTEM INSTL
SHEET 2	PART NO 161347 REV



TU-9 135
A-12
6
53E
E-12
A-17
53E
TU-9 40
53E
V-11
C-2
C-2
TU-9 45
A-12
A-15
CH-3
TU-3 600
TU-8 330
53E
PW-3
CH-3
E-30
CH-2
A-5
CI-3
53E
53E
6

SCREW
G39-08-16U (4)

VALVE
132483-01-000
ELBOW
132484-01-000

ANGLE
140309-03-CHT
SCREW
G39-08-08U (4)

PLUG
1H6 61420-13-000 (2)

PANEL-SERVICE CENTER
147776-02-CHT

PANEL-SERVICE CENTER
147775-03-CHT

PLUG
61420-09-000 (2)

VIEW E

VIEW C

VIEW D

VIEW D
1J4

FIRST USED	08 729H
DO NOT SCALE DRAWING	
TITLE:	WATER SYSTEM INSTL
SHEET 3	PART NO 161347 REV
1 2/11/2008	