

FRONT  
OF  
COACH

(B1) CODES/STANDARDS-USA  
(265) CODES/STDS-CMVSS,CSA

8. SECURE DRAINAGE PIPES TO CABINET USING WIRE TIE 108046-02-000, AND SCREW G67-10-12B AT INTERVALS OF NOT MORE THAN 4 FEET APART.
7. SECURE VENT PIPE TO FLOOR WITH CLAMP 62401-02-000 (2), SCREW G67-10-12B (2), BRACKET 136878-01-CHT (2).
6. VENT PIPE MUST PROJECT 51 MIN AND 64 MAX ABOVE ROOF FOR PROPER FIT AND FUNCTION. ADD S-1 (116666-01-CHT SEAL-VENT PIPE) AROUND PIPE ON ROOF BEFORE VENT CAP IS INSTALLED.
5. SEAL AROUND SHOWER WITH SILICONE.
4. ALL EXTERIOR OPENINGS AROUND PIPE TO BE SEALED WITH 131264-03-000.
3. ALL PIPE AND FITTINGS TO BE ASSEMBLED WITH SOLVENT 4020-01-000 (USA), 4020-02-000 (CAN)
2. SLOPE OF TRAP ARM MUST BE 6 PER 305 mm.
1. SLOPE OF HORIZONTAL PIPING TO BE MINIMUM OF 3 PER 305 mm.

NOTES:

<b>WINNEBAGO</b>		COPYRIGHT 2007 WINNEBAGO INDUSTRIES, INC.	
DFT	ORIG. DATE	ALL DIMENSIONS ARE IN MILLIMETERS	
CHKR		FIRST USED	
P.E.		08 726A	
M.E.		UNSPECIFIED TOLERANCES ARE:	
DSNR		MATERIAL:	
		WHOLE DIM (X)	: 3
		ONE-PLACE (X.X)	: 1.5
		TWO-PLACE (X.XX)	: 0.50
		ANGLE	: 1°
		THIRD ANGLE PROJECTION	
DO NOT SCALE DRAWING			
TITLE: DRAINAGE SYSTEM INSTL			
SHEET 1 OF 3	PART NO	161667	REV

(X-X)  
FOR  
DRAINAGE  
CALLOUTS  
SEE DWG NO  
116229-01-000

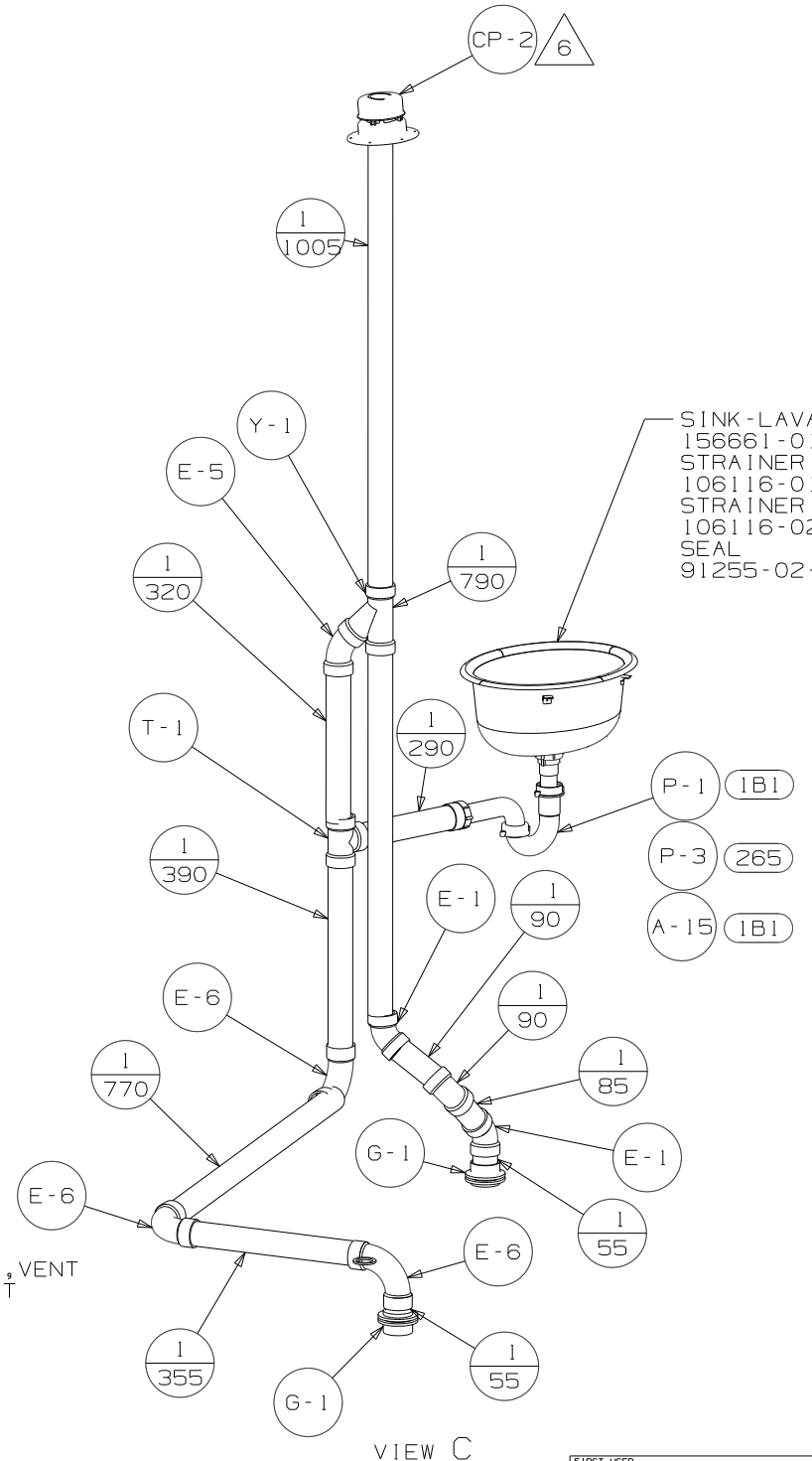
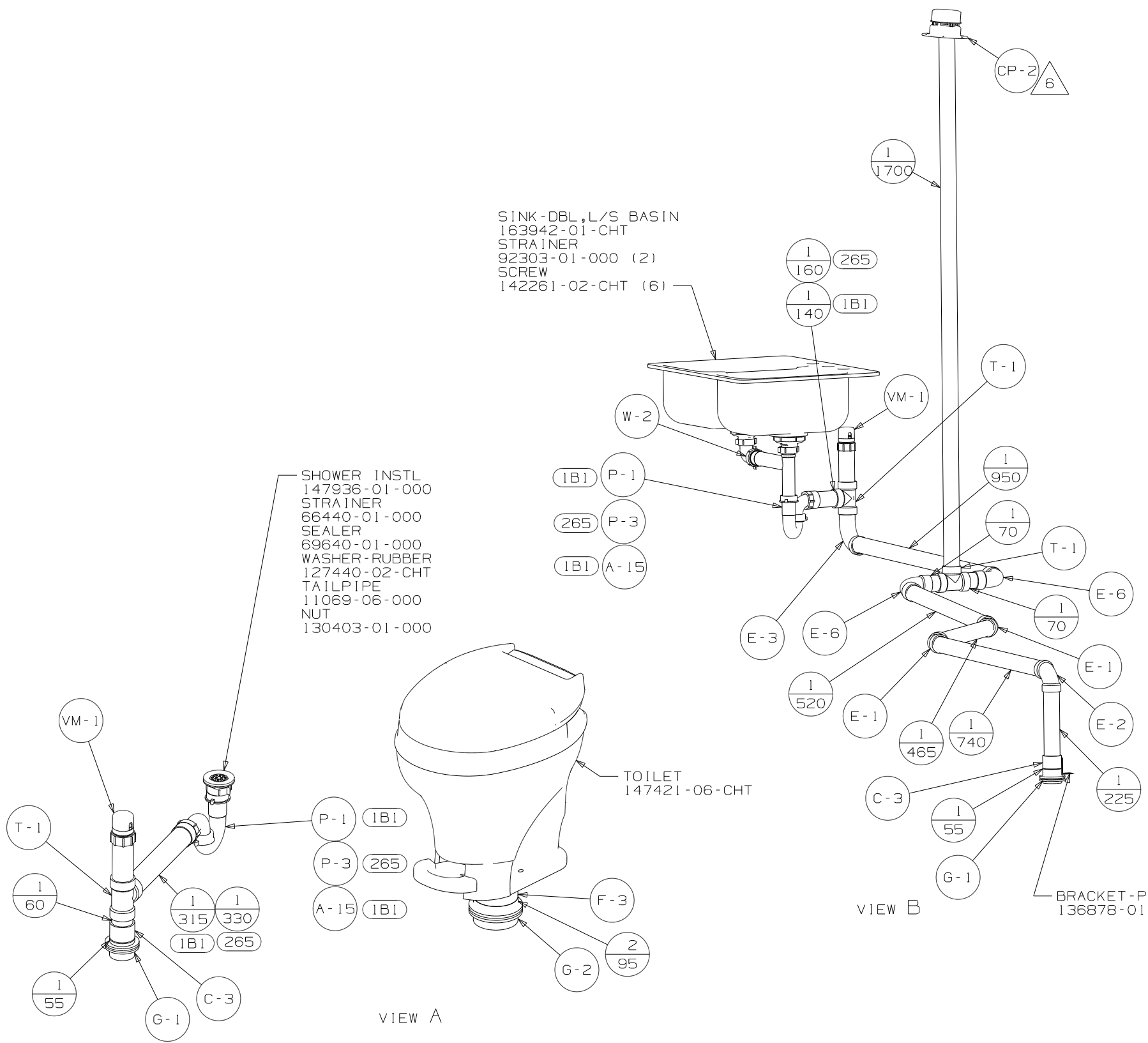
SINK-DBL,L/S BASIN  
 163942-01-CHT  
 STRAINER  
 92303-01-000 (2)  
 SCREW  
 142261-02-CHT (6)

SHOWER INSTL  
 147936-01-000  
 STRAINER  
 66440-01-000  
 SEALER  
 69640-01-000  
 WASHER-RUBBER  
 127440-02-CHT  
 TAILPIPE  
 11069-06-000  
 NUT  
 130403-01-000

SINK-LAVATORY  
 156661-01-CHT  
 STRAINER ASM  
 106116-01-CHT  
 STRAINER GASKET  
 106116-02-CHT  
 SEAL  
 91255-02-000

TOILET  
 147421-06-CHT

BRACKET-PIPE, VENT  
 136878-01-CHT

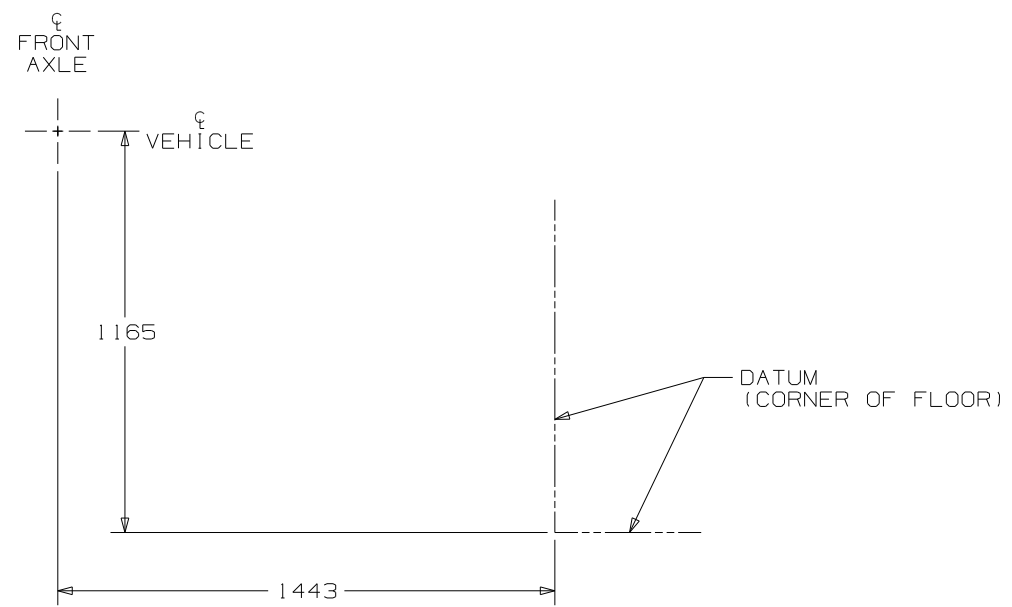


VIEW A

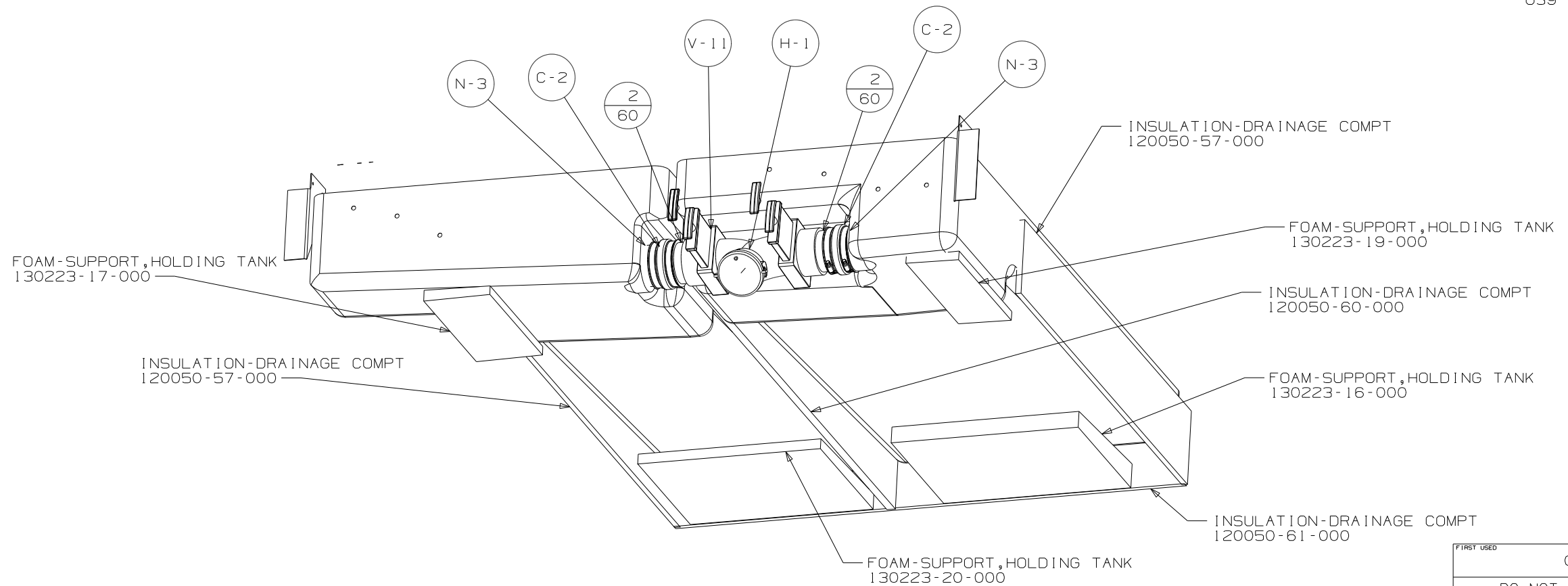
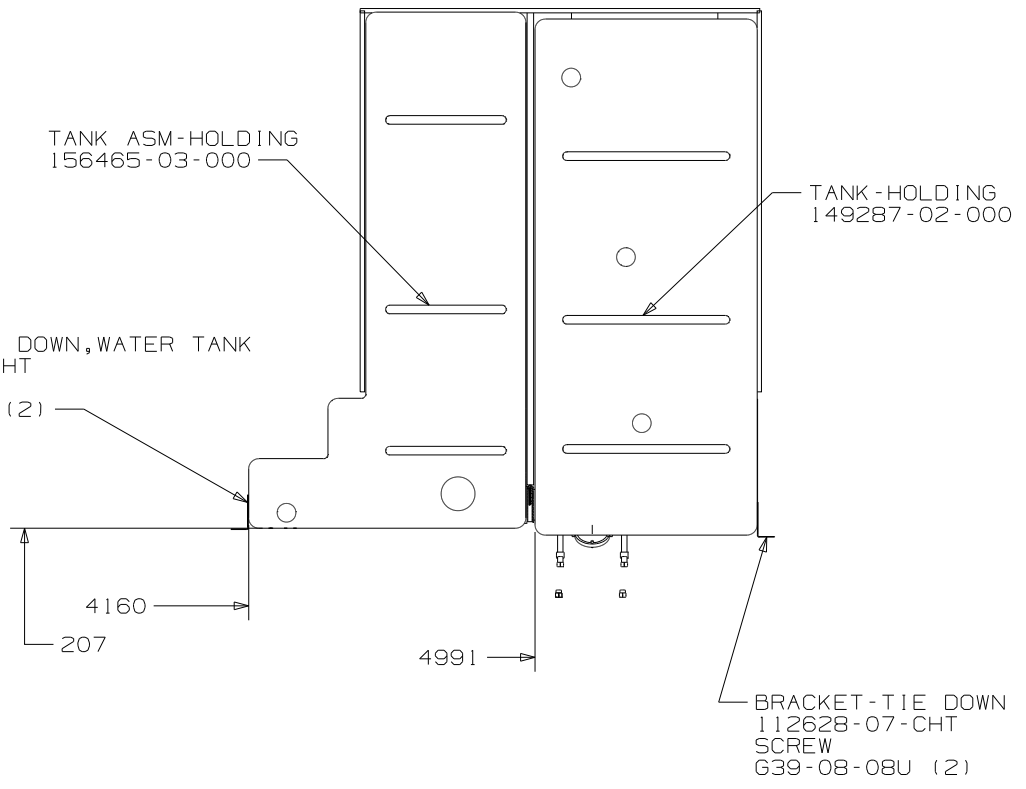
VIEW B

VIEW C

FIRST USED	08 726A	
DO NOT SCALE DRAWING		
TITLE:	DRAINAGE SYSTEM INSTL	
SHEET 2	PART NO	161667
REV		



VIEW D

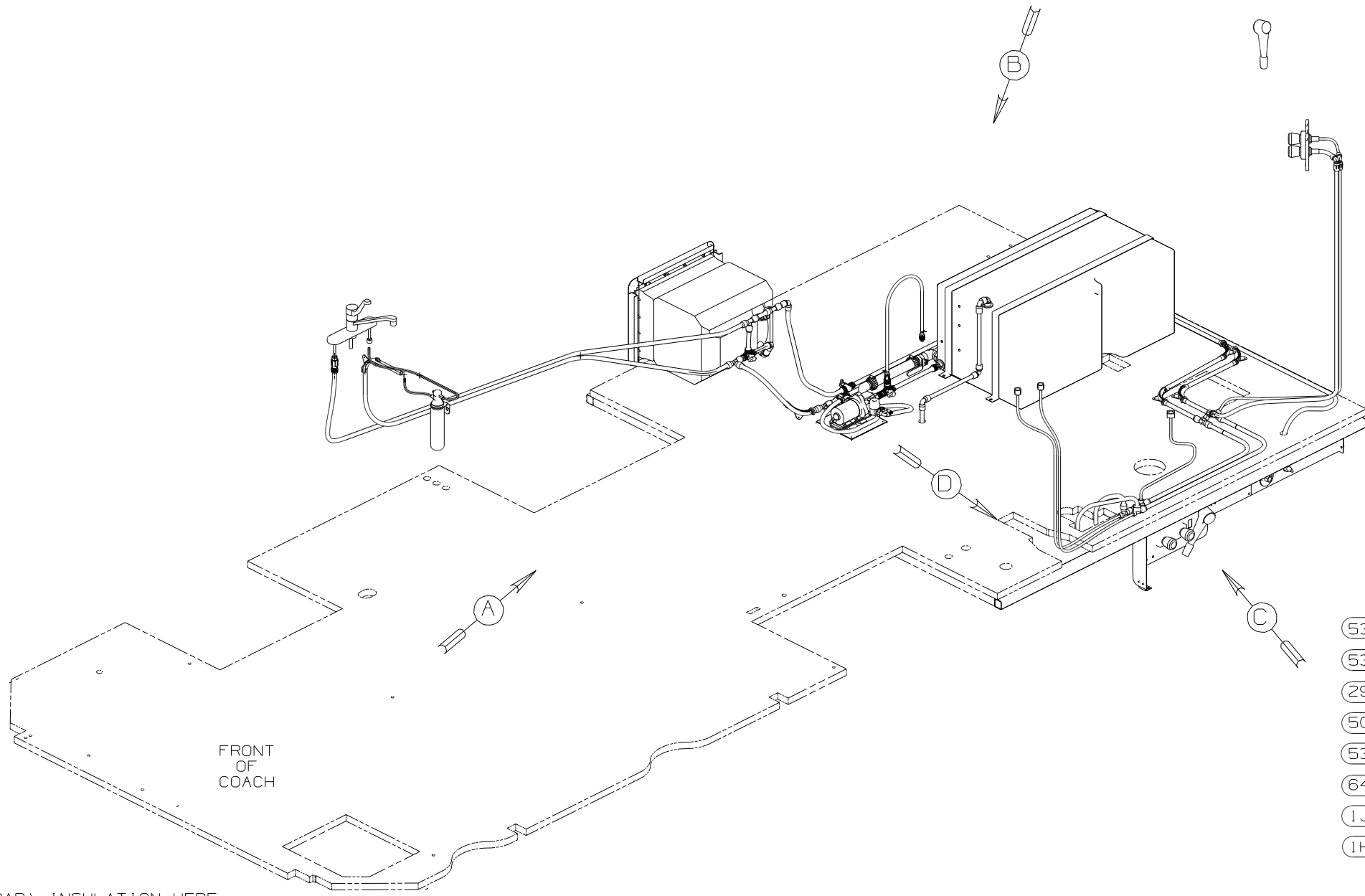


VIEW E

FIRST USED	08 726A	
TITLE	DO NOT SCALE DRAWING	
	DRAINAGE SYSTEM INSTL	
SHEET 3	PART NO	161667
	REV	

8 7 6 5 4 3 2

RELEASE	REV DATE	DWG NO
A		161673
REV ZONE	REVISION RECORD	DATE
		DFTR-0816



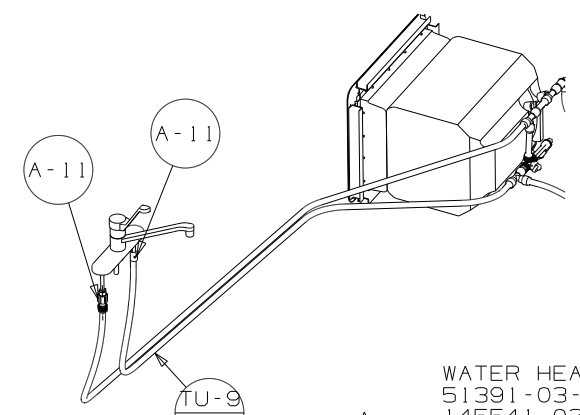
- (53F) WATER HEATER-ELEC. IGNITION
- (53B) WTR HTR-6GAL ELECTRIC/LP GAS
- (29B) WATER PURIFIER
- (50I) WATER PURIFIER-WITHOUT
- (53E) WATER SYS WINTERIZATION PKG
- (64R) EXTERIOR WASH STATION
- (1J4) EXT WASH STATION-WITHOUT
- (1H6) AIR SPRINGS-WITHOUT

- NOTES:
7. ADD PIPE WRAP (LADDER SCRAP) INSULATION HERE OR CARPET PAD (SCRAP) 75233-06-000.
  6. ADD TEFLON TAPE 10405-03-000.
  5. ADD TEFLON TAPE 10405-02-000.
  4. ADD TEFLON TAPE 10405-01-000.
  3. ALL TUBING TO BE SECURED AT 1200 INTERVALS MAXIMUM WITH CLAMP 10495-01-000 OR CLIP 9151-01-000 AND SCREW G67-10-12B.
  2. TUBING TO BE INSTALLED WITH SUFFICIENT SLOPE TO PROVIDE DRAINAGE TO NEAREST VALVE.
  1. PLASTIC FITTINGS TO BE SEALED WITH SEALANT 84456-01-000.

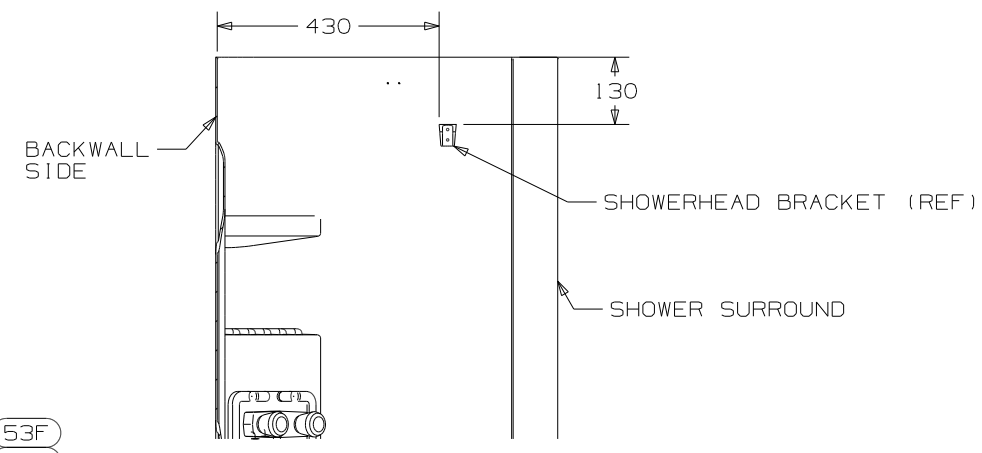
(X-X)  
FOR WATER CALLOUTS SEE DWG NO 116230-01-000

<b>WINNEBAGO</b>		COPYRIGHT 2008 WINNEBAGO INDUSTRIES, INC.	
DFTR	ORIG. DATE	ALL DIMENSIONS ARE IN MILLIMETERS	
CHKR		FIRST USED	
P.E.		08 726A	
M.E.		UNSPECIFIED TOLERANCES ARE:	
DSNR		MATERIAL:	
		WHOLE DIM (X)	: 3
		ONE-PLACE (X.X)	: 1.5
		TWO-PLACE (X.XX)	: 0.50
		ANGLE	: 1°
THIRD ANGLE PROJECTION		DO NOT SCALE DRAWING	
TITLE: WATER SYSTEM INSTL			
SHEET 1 OF 3	PART NO	161673	REV
REF:	1 2/11/2008		

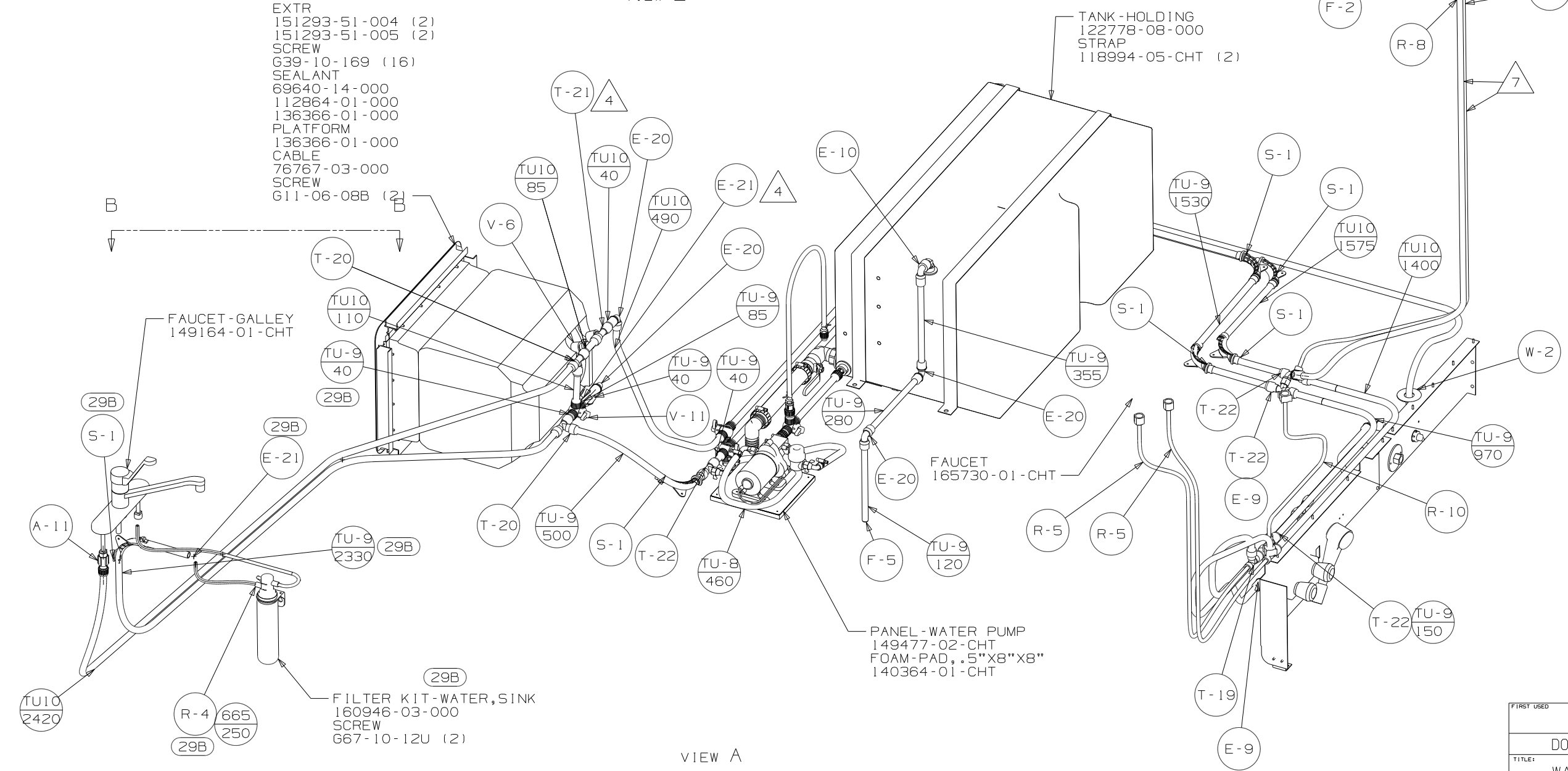
8 7 6 5 4 3 2



- WATER HEATER  
 51391-03-000 (53F)  
 145541-02-000 (53B)  
 125420-06-CHT  
 FLANGE  
 152239-01-CHT  
 EXTR  
 151293-51-004 (2)  
 151293-51-005 (2)  
 SCREW  
 G39-10-169 (16)  
 SEALANT  
 69640-14-000  
 112864-01-000  
 136366-01-000  
 PLATFORM  
 136366-01-000  
 CABLE  
 76767-03-000  
 SCREW  
 G11-06-08B (2)



- PANEL  
 78498-01-CHT  
 SCREW  
 G11-08-12U (4)  
 COVER  
 166569-01-CHT  
 NUT-SPEED-U  
 40921-05-000 (4)



FIRST USED	08 726A
DO NOT SCALE DRAWING	
TITLE:	WATER SYSTEM INSTL
SHEET 2	PART NO 161673 REV

