

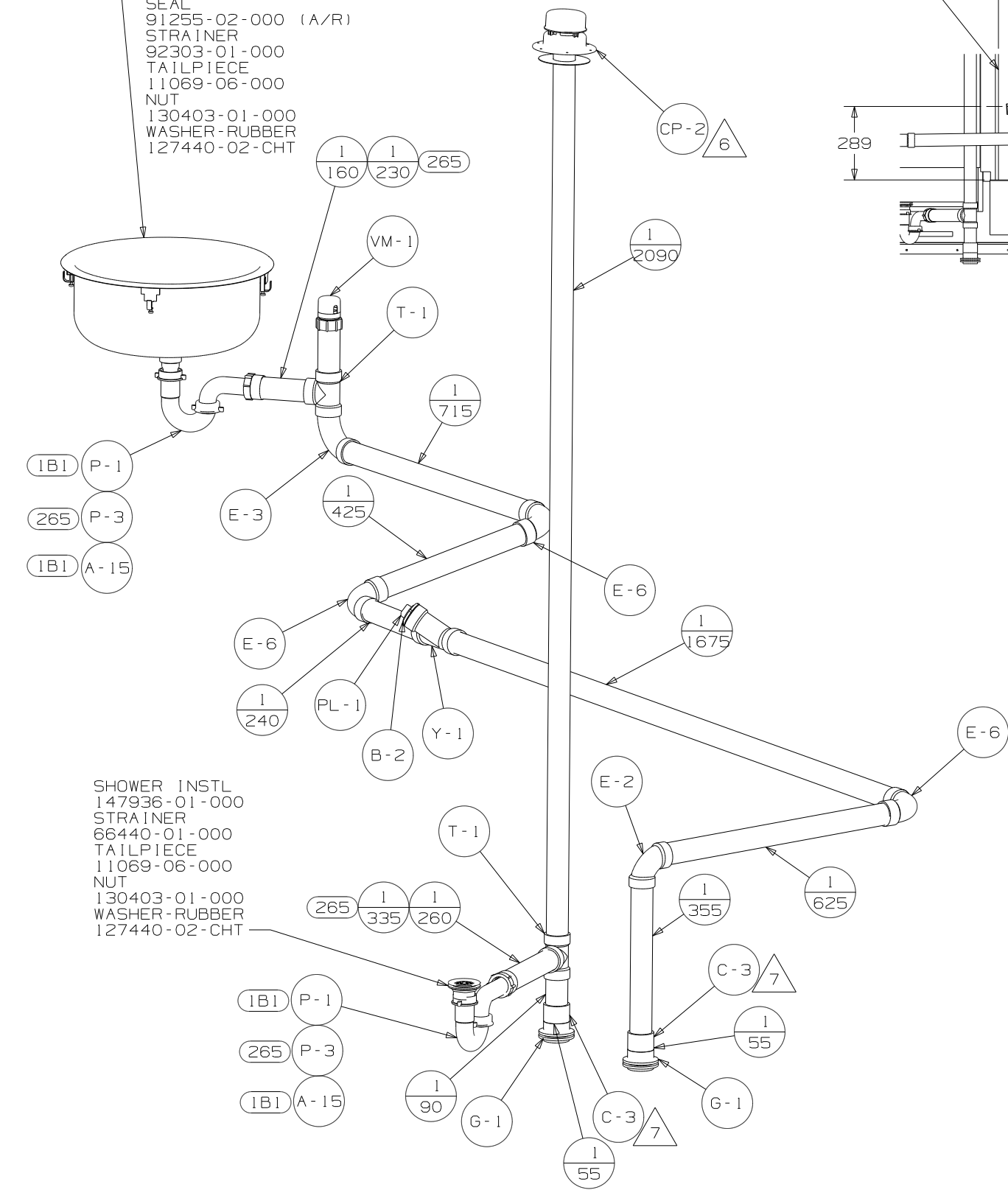
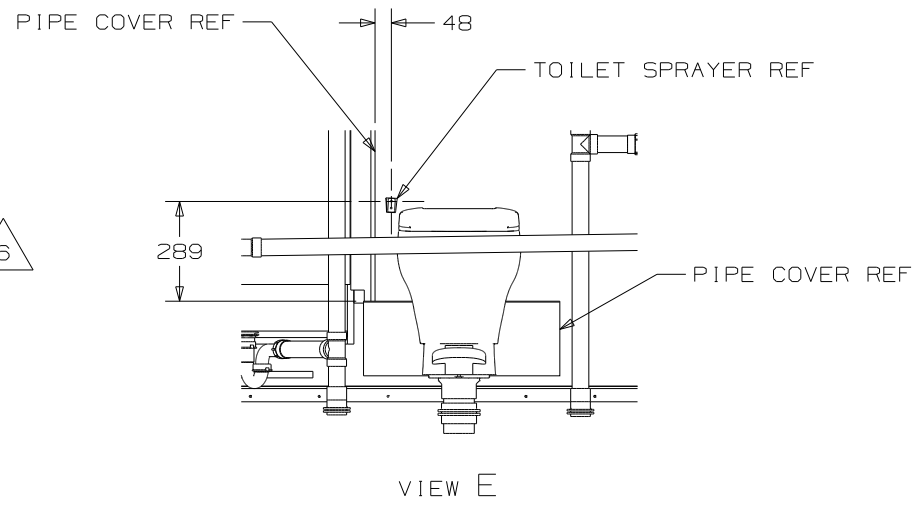
- (1B1) CODES/STANDARDS-USA
- (265) CODES/STDS-CSA/CMVSS
- (23T) DRAINAGE SYSTEM-HEATED
- (1JD) DRAINAGE SYSTEM-HEATED-W/O
- (464) TOILET

- NOTES:
7. SECURE VENT TUBES TO FLOOR WITH CLAMP 62401-02-000 (2), SCREW G67-10-12B (2), BRACKET 136878-01-CHT (2).
 6. VENT PIPE MUST PROJECT 51 MIN AND 64 MAX ABOVE ROOF FOR PROPER FIT AND FUNCTION.
 5. SEAL AROUND SHOWER WITH SILICONE.
 4. ALL EXTERIOR OPENINGS AROUND PIPE TO BE SEALED WITH 131264-03-000.
 3. ALL PIPE AND FITTINGS TO BE ASSEMBLED WITH SOLVENT 4020-01-000 (USA), 4020-02-000 (CAN)
 2. SLOPE OF TRAP ARM MUST BE 6 PER 305 mm.
 1. SLOPE OF HORIZONTAL PIPING TO BE MIN 3 PER 305 mm.

(X-X)
FOR
DRAINAGE
CALLOUTS
SEE DWG NO
116229-01-000

WINNEBAGO		COPYRIGHT 2007 WINNEBAGO INDUSTRIES, INC.	
DFT	ORIG. DATE	ALL DIMENSIONS ARE IN MILLIMETERS	
CHKR		FIRST USED	
P.E.		08 524J	
M.E.		UNSPECIFIED TOLERANCES ARE:	
DSNR		MATERIAL:	
		WHOLE DIM (X)	: 3
		ONE-PLACE (X.X)	: 1.5
		TWO-PLACE (X.XX)	: 0.50
		ANGLE	: 1°
THIRD ANGLE PROJECTION		DO NOT SCALE DRAWING	
TITLE:		DRAINAGE SYSTEM INSTL	
SHEET 1 OF 3	PART NO	159894	
REF:	1 8/1/2007		

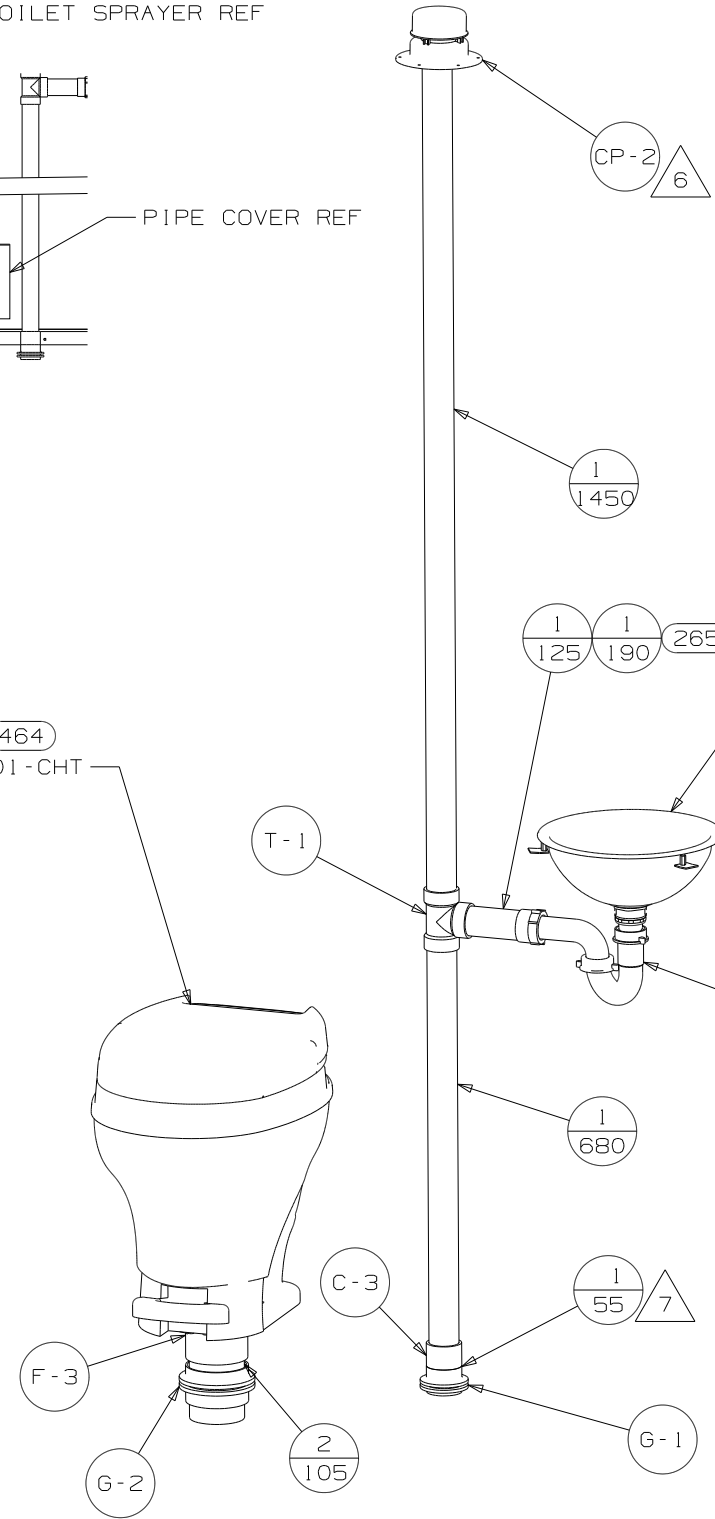
GALLEY SINK
 165118-01-CHT
 SEAL
 91255-02-000 (A/R)
 STRAINER
 92303-01-000
 TAILPIECE
 11069-06-000
 NUT
 130403-01-000
 WASHER-RUBBER
 127440-02-CHT



SHOWER INSTL
 147936-01-000
 STRAINER
 66440-01-000
 TAILPIECE
 11069-06-000
 NUT
 130403-01-000
 WASHER-RUBBER
 127440-02-CHT

TOILET
 147421-01-CHT

SINK-LAVATORY
 151679-01-CHT
 SEAL
 91255-02-000 (A/R)
 STRAINER
 163569-01-000
 TAILPIECE
 11069-06-000
 NUT
 130403-01-000
 WASHER-RUBBER
 127440-02-CHT



VIEW A

VIEW B

FIRST USED	08 524J	
TITLE	DO NOT SCALE DRAWING	
	DRAINAGE SYSTEM INSTL	
SHEET 2	PART NO 159894	REV

INSULATION-DRAINAGE COMPT
120050-66-000

TANK-HOLDING, BLACK
152935-02-000

INSULATION-DRAINAGE COMPT
120050-53-000

VIEW C

TANK-HOLDING
152934-03-000

ANGLE-FORMED, DRAINAGE COMPT
153146-01-CHT
BOLT
C26-06-12U (2)

ULOCK-RISER
151437-02-CHT (2)
BOLT
C12-06-20U (2)
NUT
D39-06-00U (2)

BOLT
C26-06-12U (2)

STRAP-HLDG TANK
153147-02-CHT

STRAP-HLDG TANK MTG
153147-04-CHT

BOLT
C26-06-12U (2)
NUT
D39-06-00U (2)

STRAP-HLDG TANK
153148-06-CHT

(23T) PAD-HEATER
133972-04-000

STRAP-HLDG TANK MTG
153148-01-CHT

BRACKET-HOLDING TANK
151890-04-CHT

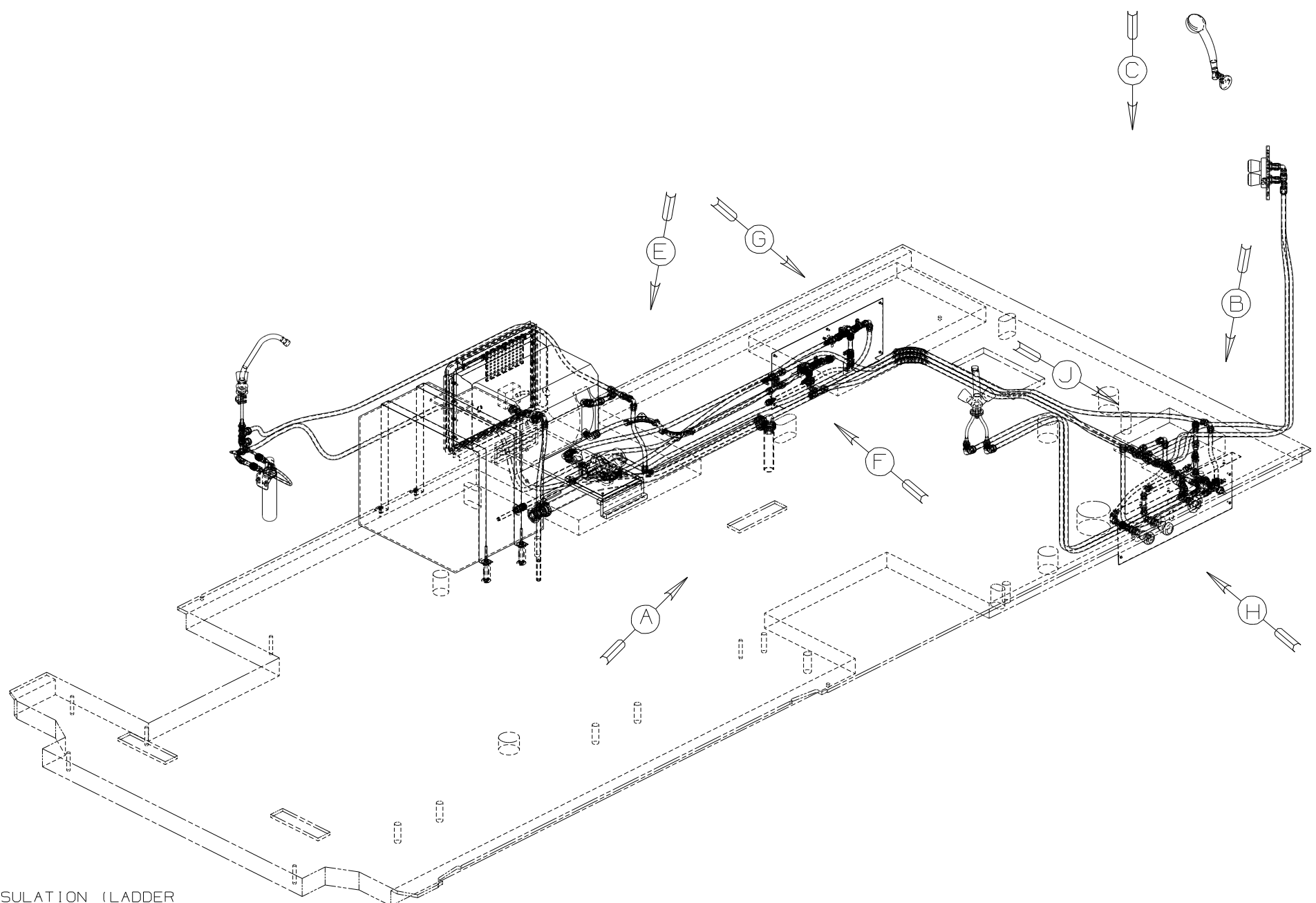
BRACKET-HOLDING TANK
151890-05-CHT
NUT
D39-08-00T (2)

PAD-HEATER (23T)
133972-04-000

PAD-HEATER (23T)
133972-03-000

VIEW D

FIRST USED	08 524J		
TITLE	DO NOT SCALE DRAWING		
	DRAINAGE SYSTEM INSTL		
SHEET 3	PART NO	159894	REV



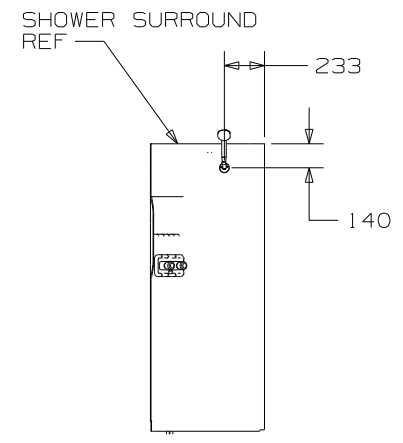
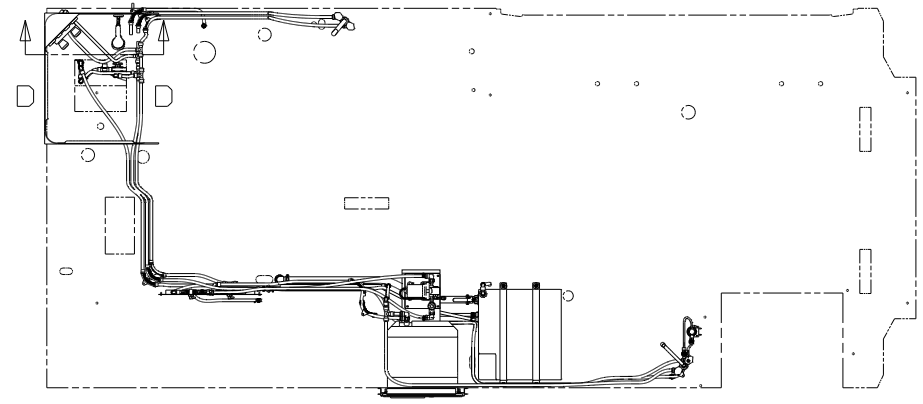
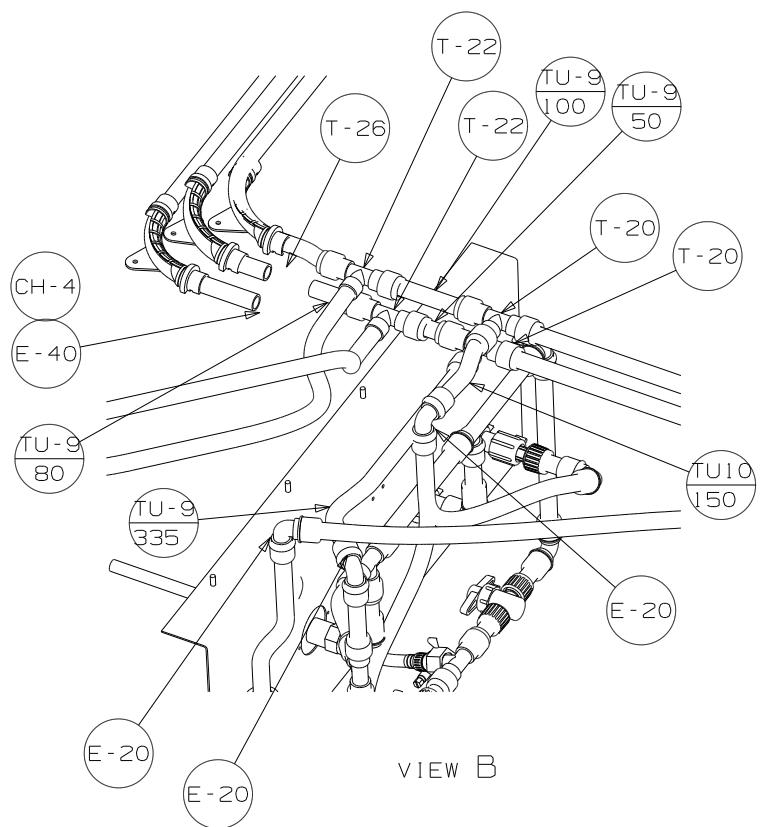
- (53E) WATER SYS WINTERIZATION PKG
- (53B) WTR HTR-6 GAL ELEC/LP/GAS
- (26B) WATER PURIFIER
- (501) WATER PURIFIER WITHOUT
- (53F) WATER HEATER-ELEC, IGNITION
- (64R) EXTERIOR WASH STATION
- (1J4) EXT WASH STATION-WITHOUT

- △ 8 ADD PIPE WRAP INSULATION (LADDER SCRAP) 110157-02-000.
 - △ 7 INSTALL CONNECTOR WITH TAPERED END AWAY FROM FAUCET.
 - △ 6 ADD TEFLON TAPE 10405-03-000.
 - △ 5 ADD TEFLON TAPE 10405-02-000.
 - △ 4 ADD TEFLON TAPE 10405-01-000.
3. ALL TUBING TO BE SECURED AT 1200 INTERVALS MAXIMUM WITH CLAMP 10495-01-000 AND SCREW G67-10-12B OR EQUIVALENT.
 2. TUBING TO BE INSTALLED WITH SUFFICIENT SLOPE TO PROVIDE DRAINAGE TO NEAREST VALVE.
 1. PLASTIC FITTINGS TO BE SEALED WITH SEALANT 84456-01-000.

NOTES:

WINNEBAGO		COPYRIGHT 2007 WINNEBAGO INDUSTRIES, INC.	
DFTR	ORIG. DATE	ALL DIMENSIONS ARE IN MILLIMETERS	
CHKR		FIRST USED	
P.E.		08 524J	
M.E.		UNSPECIFIED TOLERANCES ARE:	
DSNR		MATERIAL:	
		WHOLE DIM (X)	: 3
		ONE-PLACE (X.X)	: 1.5
		TWO-PLACE (X.XX)	: 0.50
		ANGLE	: 1°
THIRD ANGLE PROJECTION		DO NOT SCALE DRAWING	
TITLE: WATER SYSTEM INSTL			
SHEET 1 OF 4	PART NO	160151	REV
REF:	1 10/22/2007		

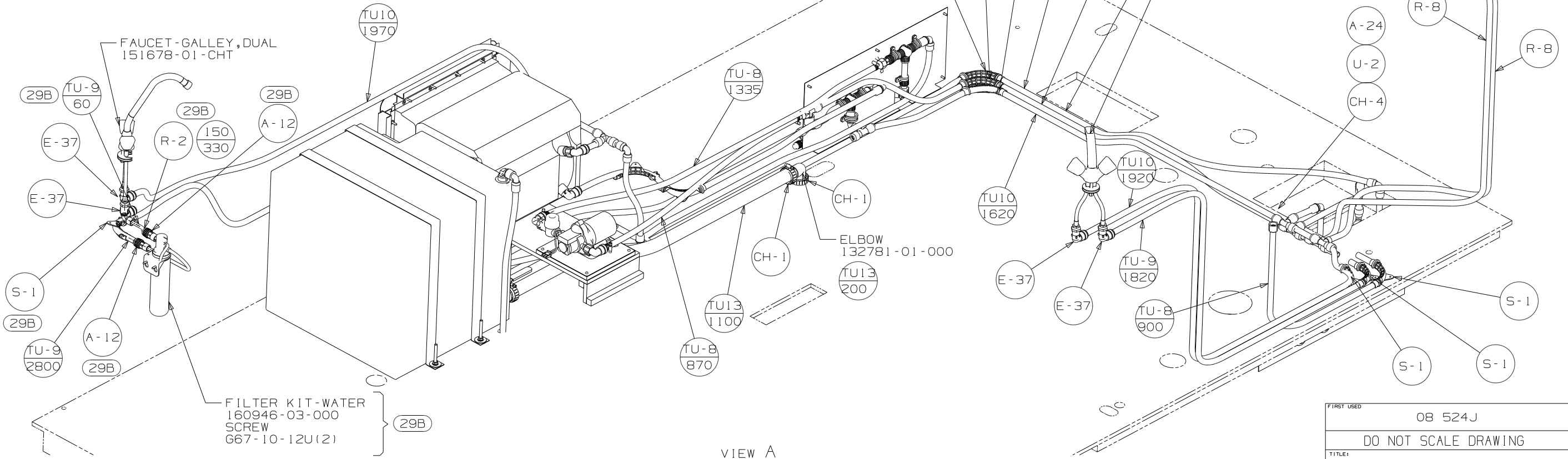
(X-X)
FOR
WATER
CALLOUTS
SEE DWG NO
116230-01-000



SHOWER SURROUND REF

SHOWER HEAD-W/HOSE & BRACKET
129390-04-CHT

PANEL-SHOWER FAUCET
78498-01-CHT
NUT-SPEED
40921-05-000 (4)



FAUCET-GALLEY, DUAL
151678-01-CHT

FILTER KIT-WATER
160946-03-000
SCREW
G67-10-12U(2)

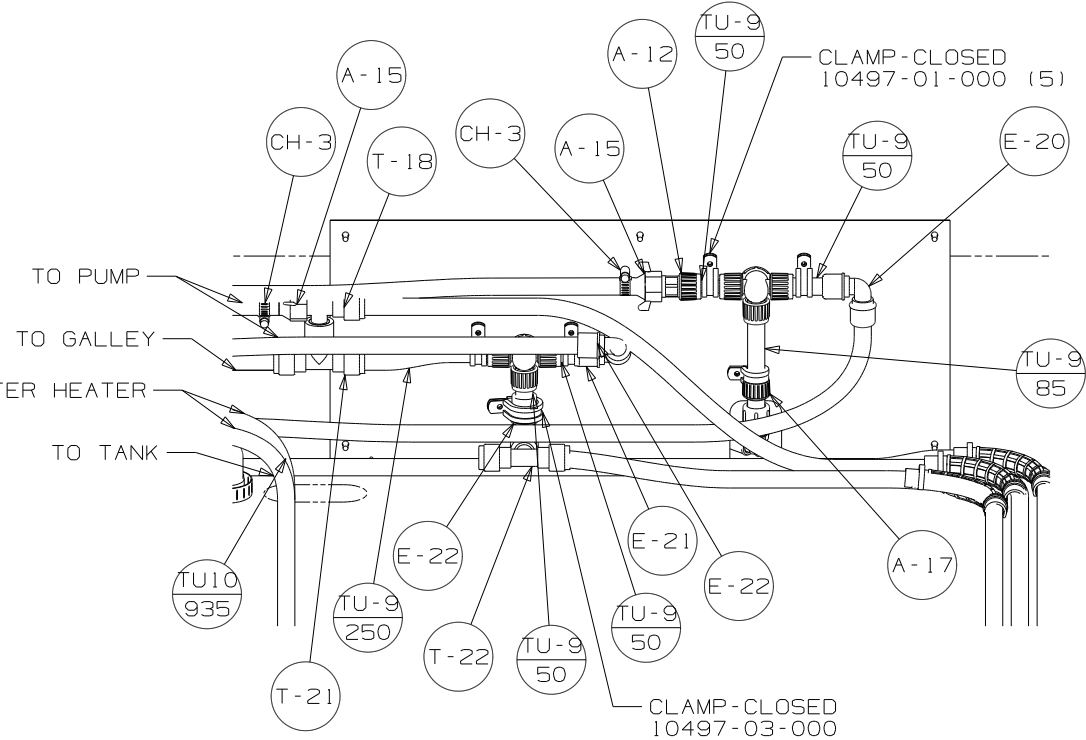
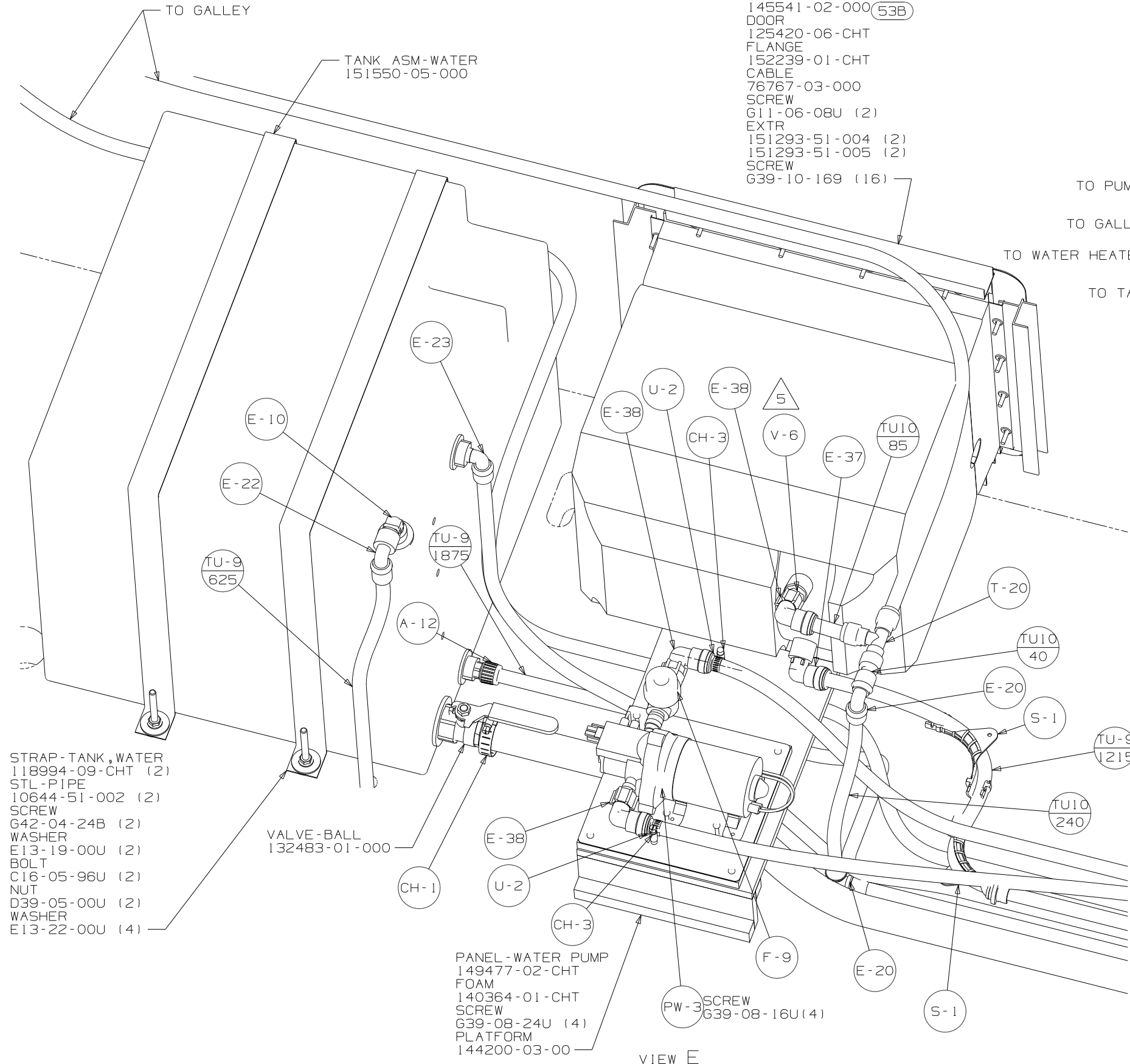
FAUCET-LAVATORY, DUAL
151680-01-CHT

ADD FOAM
BEHIND FURNACE

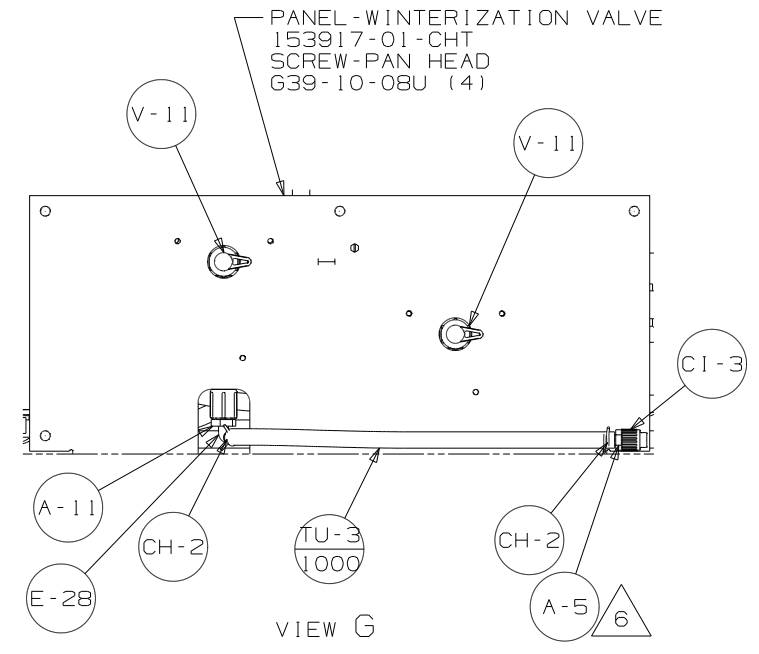
ELBOW
132781-01-000

FIRST USED	08 524J
TITLE:	DO NOT SCALE DRAWING
	WATER SYSTEM INSTL
SHEET 2	PART NO 160151 REV

- WATER HEATER 51391-03-000 (53F)
- 145541-02-000 (53B)
- DOOR 125420-06-CHT
- FLANGE 152239-01-CHT
- CABLE 76767-03-000
- SCREW 611-06-08U (2)
- EXTR 151293-51-004 (2)
- 151293-51-005 (2)
- SCREW 639-10-169 (16)

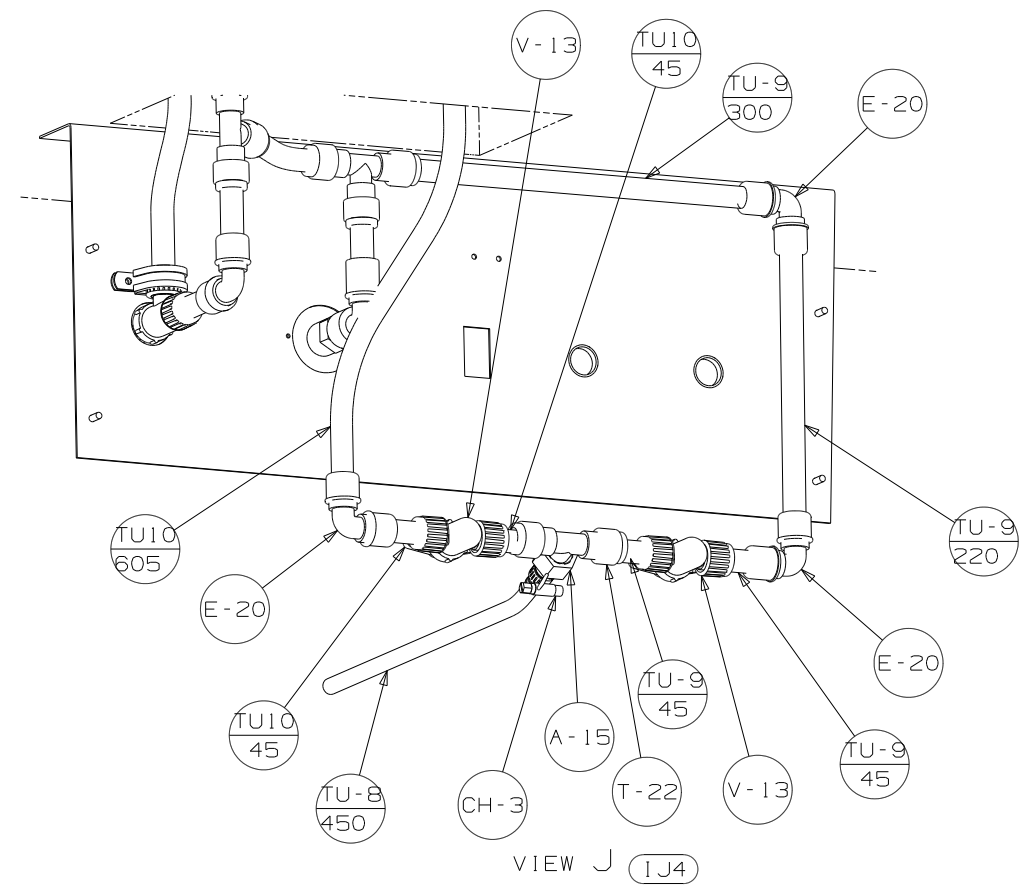
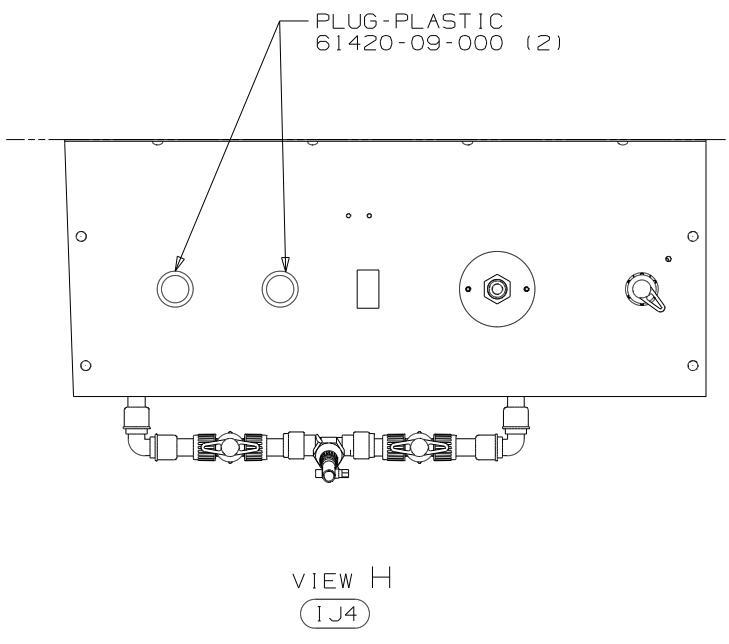
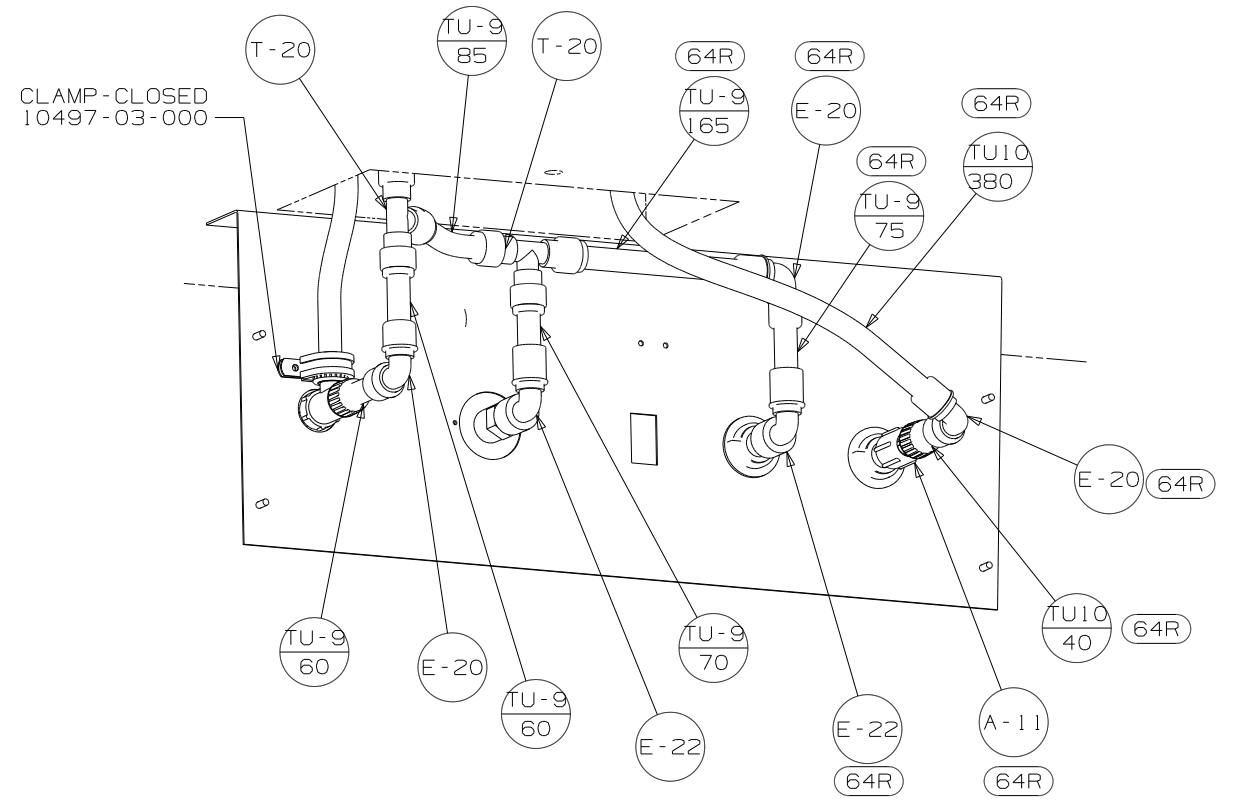
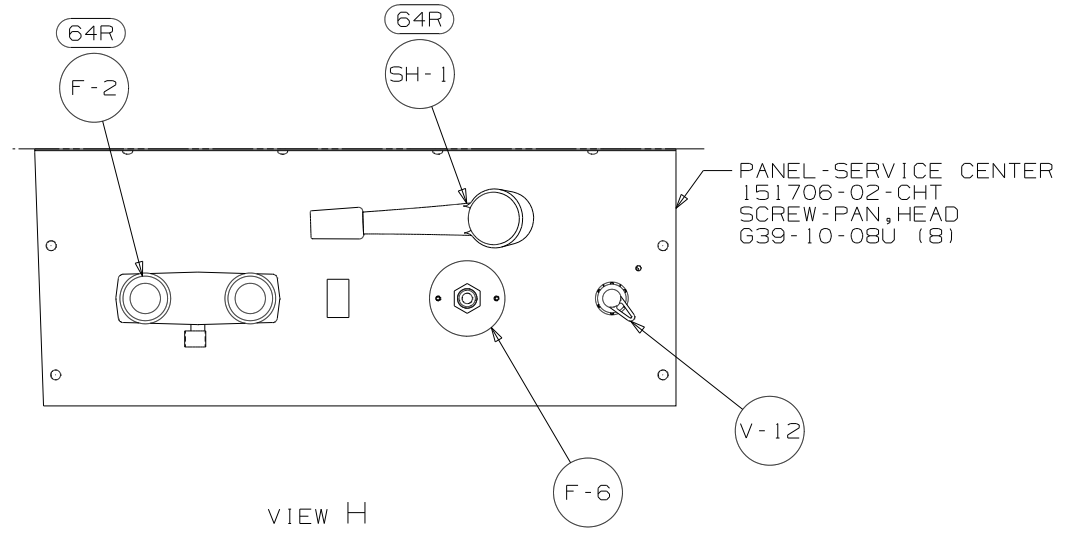


VIEW F



VIEW G

FIRST USED	08 524J	
DO NOT SCALE DRAWING		
TITLE:	WATER SYSTEM INSTL	
SHEET 3	PART NO	160151
REV		



FIRST USED	08 524J
DO NOT SCALE DRAWING	
TITLE:	WATER SYSTEM INSTL
SHEET 4	PART NO 160151 REV
I 10/22/2007	