

- (1B1) CODES/STANDARDS USA
- (265) CODES/STANDARDS-CSA/CMVSS
- (1JD) DRAINAGE SYSTEM-HEATED-W/O
- (23T) DRAINAGE SYSTEM-HEATED

8. SECURE DRAINAGE PIPES TO CABINET USING WIRE TIE 108046-02-000, AND SCREW G67-10-12B AT INTERVALS OF NOT MORE THAN 4 FEET APART.
7. SECURE VENT PIPE TO FLOOR WITH CLAMP 62401-02-000 (2), SCREW G67-10-12B (2), BRACKET 136878-01-CHT (2).
6. VENT PIPE MUST PROJECT 51 MIN AND 64 MAX ABOVE ROOF FOR PROPER FIT AND FUNCTION.
5. SEAL AROUND SHOWER WITH SILICONE.
4. ALL EXTERIOR OPENINGS AROUND PIPE TO BE SEALED WITH 131264-03-000.
3. ALL PIPE AND FITTINGS TO BE ASSEMBLED WITH SOLVENT 4020-01-000 (USA), 4020-02-000 (CAN)
2. SLOPE OF TRAP ARM MUST BE 6 PER 305 mm.
1. SLOPE OF HORIZONTAL PIPING TO BE MINIMUM OF 3 PER 305 mm.

NOTES:

<b>WINNEBAGO</b>		COPYRIGHT 2008 WINNEBAGO INDUSTRIES, INC.	
DFTR	ORIG. DATE	ALL DIMENSIONS ARE IN MILLIMETERS	
CHKR		M.E.	FIRST USED
		DSNR	08 524DL
UNSPECIFIED TOLERANCES ARE:		MATERIAL:	
WHOLE DIM (X)	: 3		
ONE-PLACE (X.X)	: 1.5		
TWO-PLACE (X.XX)	: 0.50		
ANGLE	: 1°		
THIRD ANGLE PROJECTION			
DO NOT SCALE DRAWING			
TITLE: DRAINAGE SYSTEM INSTL			
SHEET 1 OF 4	PART NO	164901	REV
REF:	1 2/18/2008		

FOR  
DRAINAGE  
CALLOUTS  
SEE DWG NO  
116229-01-000

(X-X)

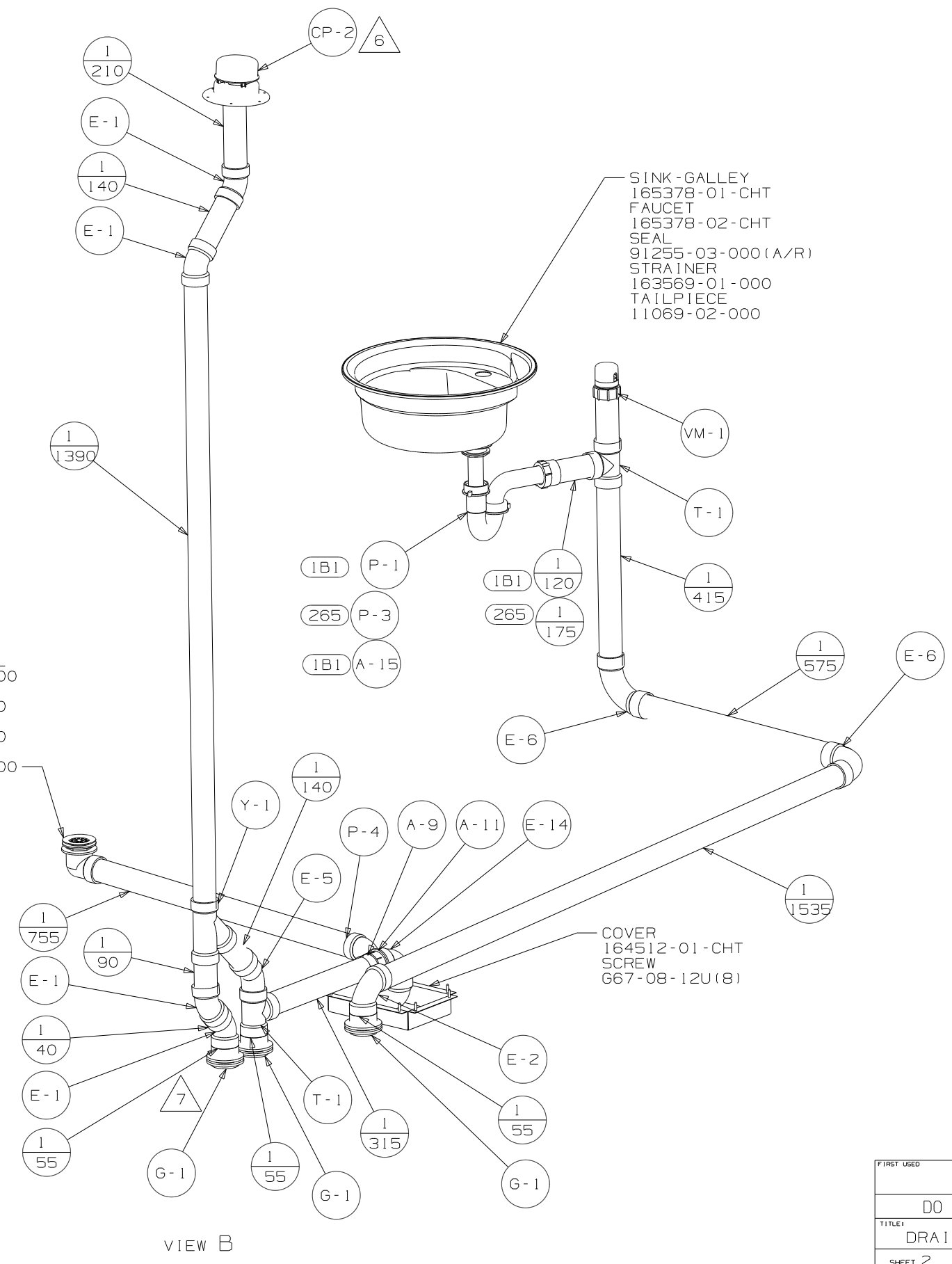
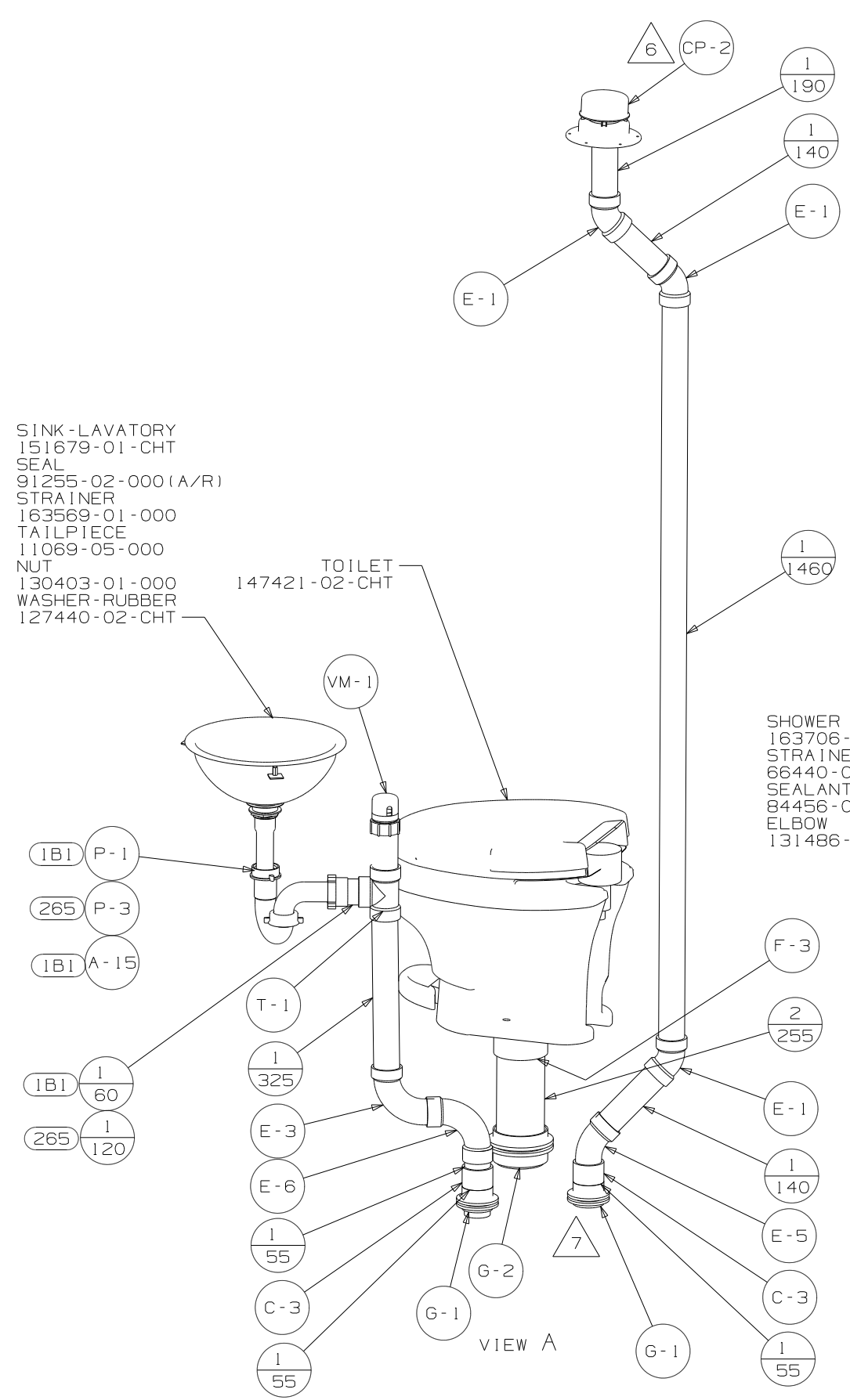
SINK-LAVATORY  
 151679-01-CHT  
 SEAL  
 91255-02-000 (A/R)  
 STRAINER  
 163569-01-000  
 TAILPIECE  
 11069-05-000  
 NUT  
 130403-01-000  
 WASHER-RUBBER  
 127440-02-CHT

TOILET  
 147421-02-CHT

SHOWER INSTL  
 163706-01-000  
 STRAINER  
 66440-01-000  
 SEALANT  
 84456-01-000  
 ELBOW  
 131486-01-000

SINK-GALLEY  
 165378-01-CHT  
 FAUCET  
 165378-02-CHT  
 SEAL  
 91255-03-000 (A/R)  
 STRAINER  
 163569-01-000  
 TAILPIECE  
 11069-02-000

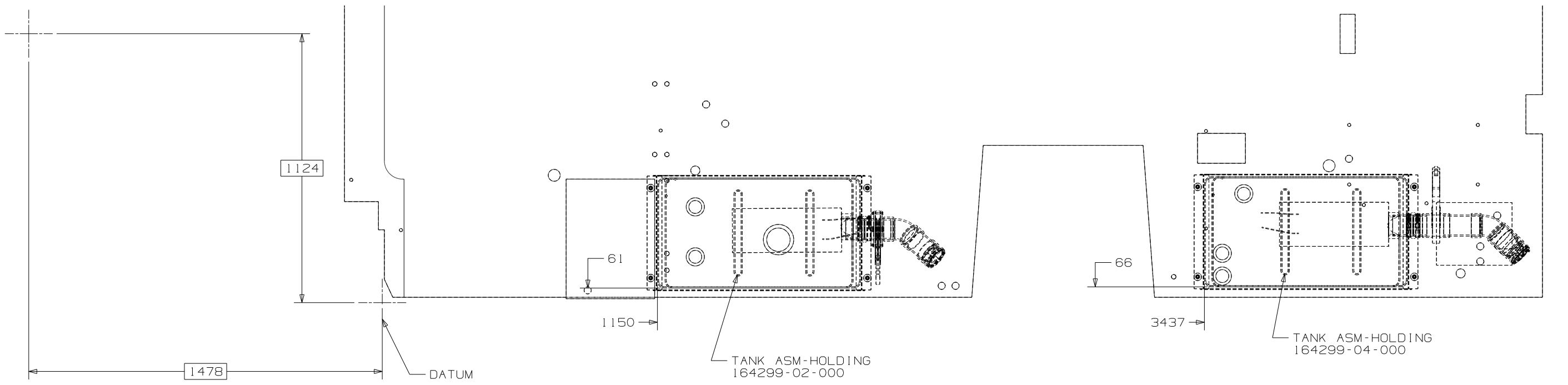
COVER  
 164512-01-CHT  
 SCREW  
 667-08-12U(8)



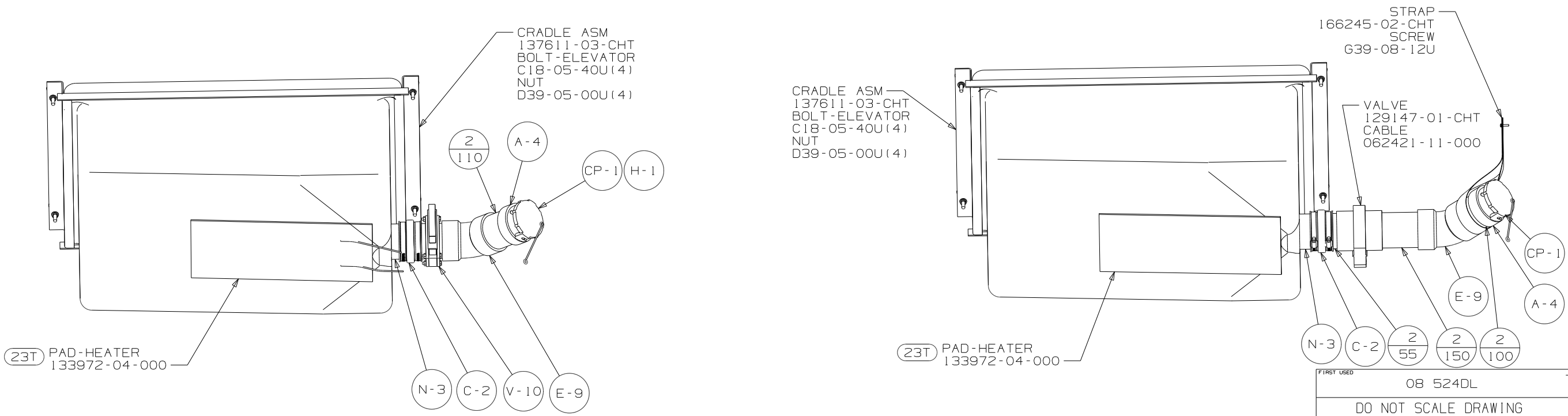
VIEW A

VIEW B

FIRST USED	08 524DL	
TITLE	DO NOT SCALE DRAWING	
	DRAINAGE SYSTEM INSTL	
SHEET 2	PART NO 164901	REV

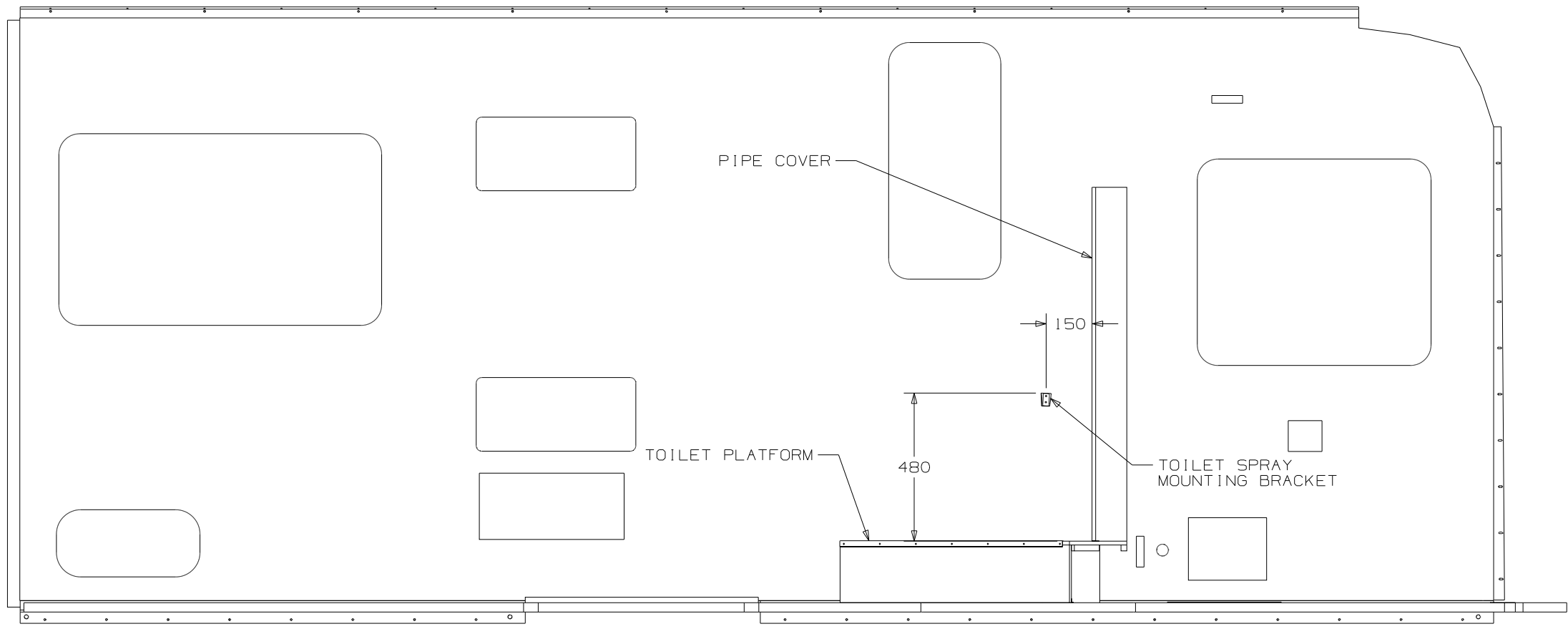


VIEW D

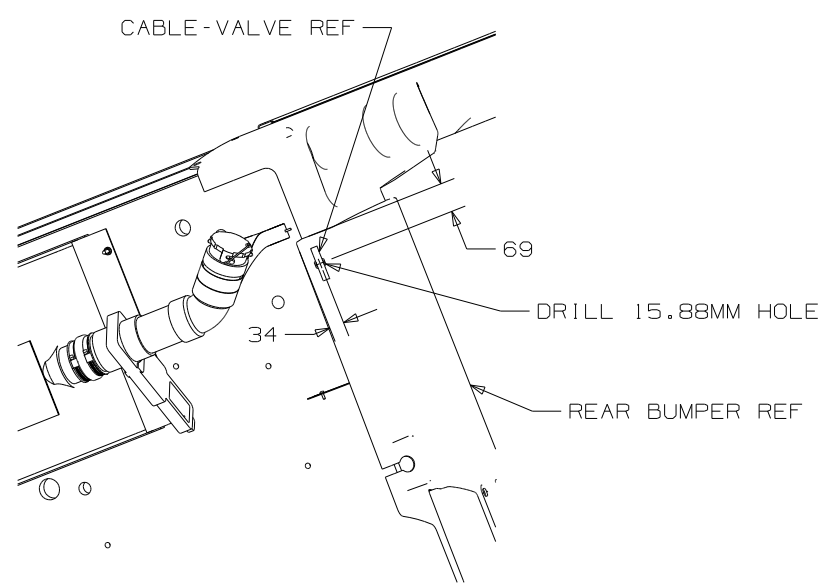


VIEW C

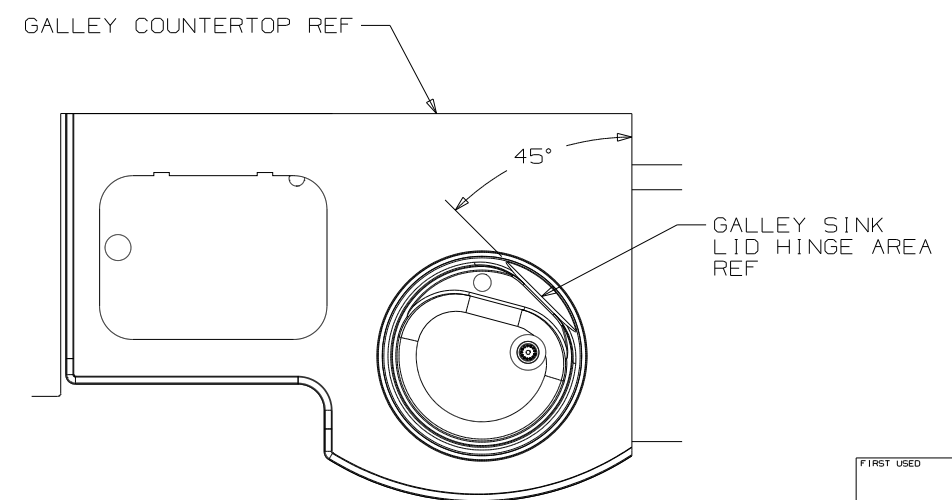
FIRST USED	08 524DL	
TITLE	DO NOT SCALE DRAWING	
	DRAINAGE SYSTEM INSTL	
SHEET 3	PART NO	REV
	164901	



VIEW E

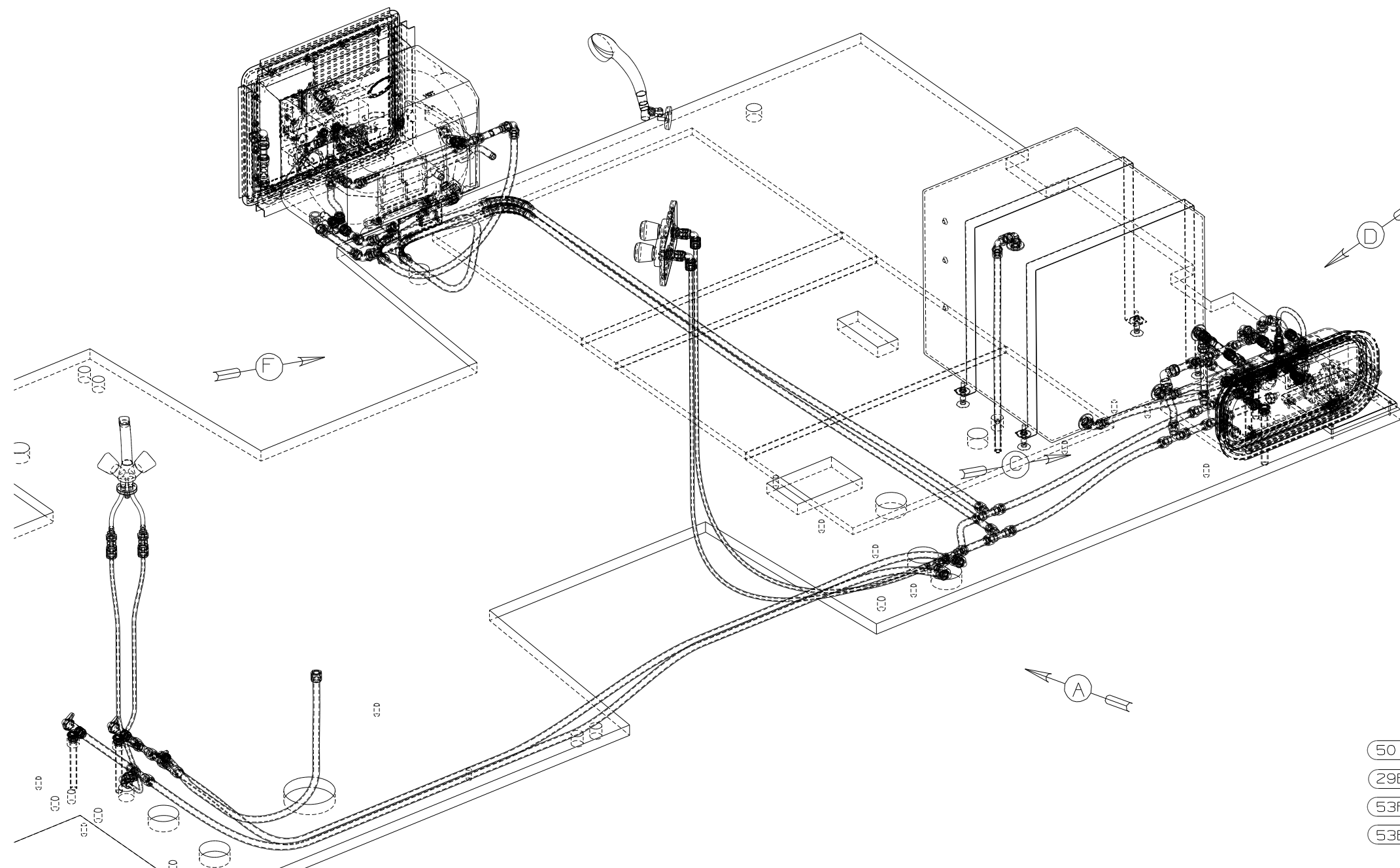


VIEW F



VIEW G

FIRST USED	08 524DL		
TITLE	DO NOT SCALE DRAWING		
SHEET 4	PART NO	164901	REV

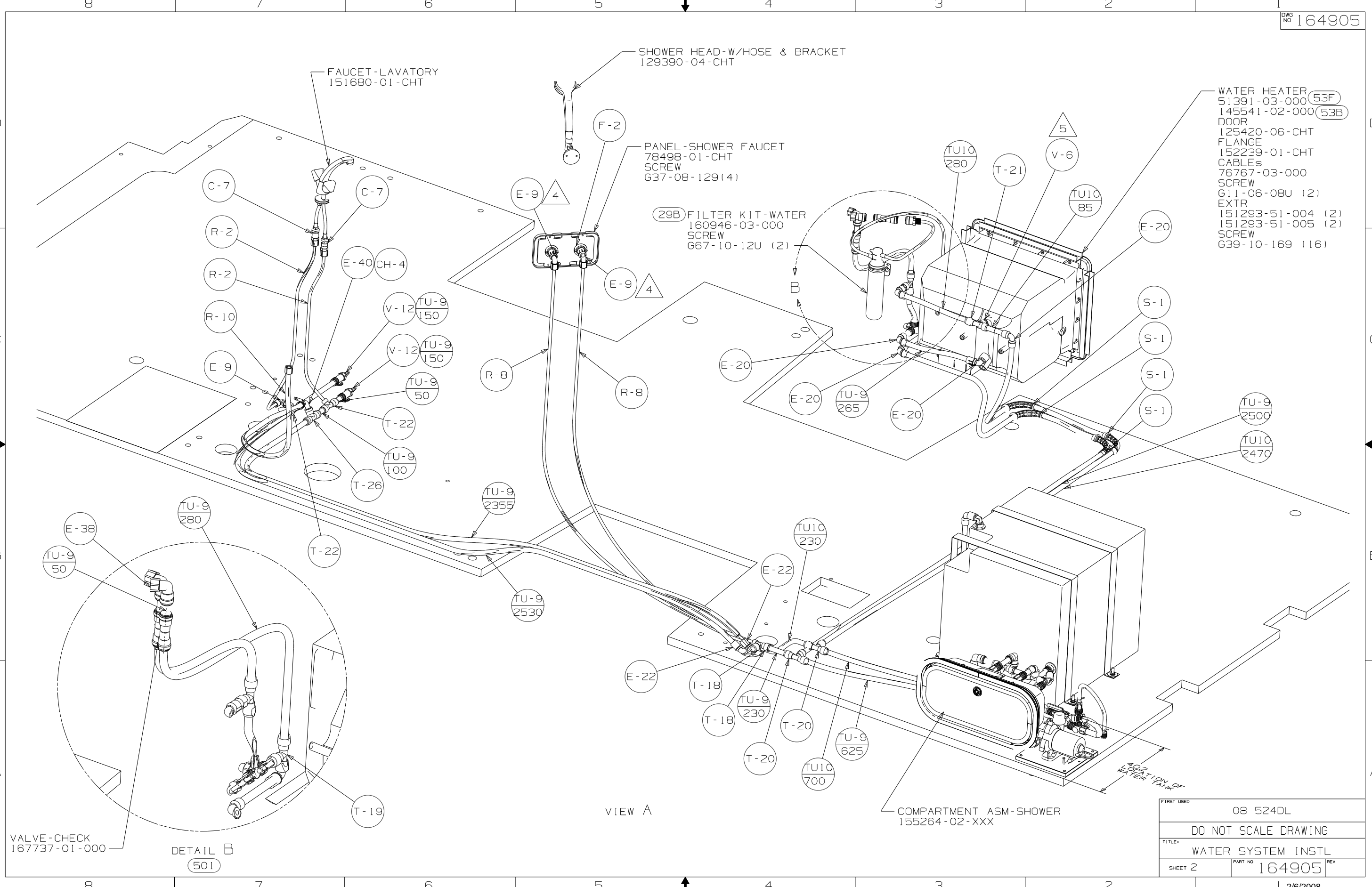


- (501) WATER PURIFIER WITHOUT
- (29B) WATER PURIFIER
- (53F) WATER HEATER-ELEC IGNITION
- (53B) WTR HTR-6 GAL ELEC/LP GAS

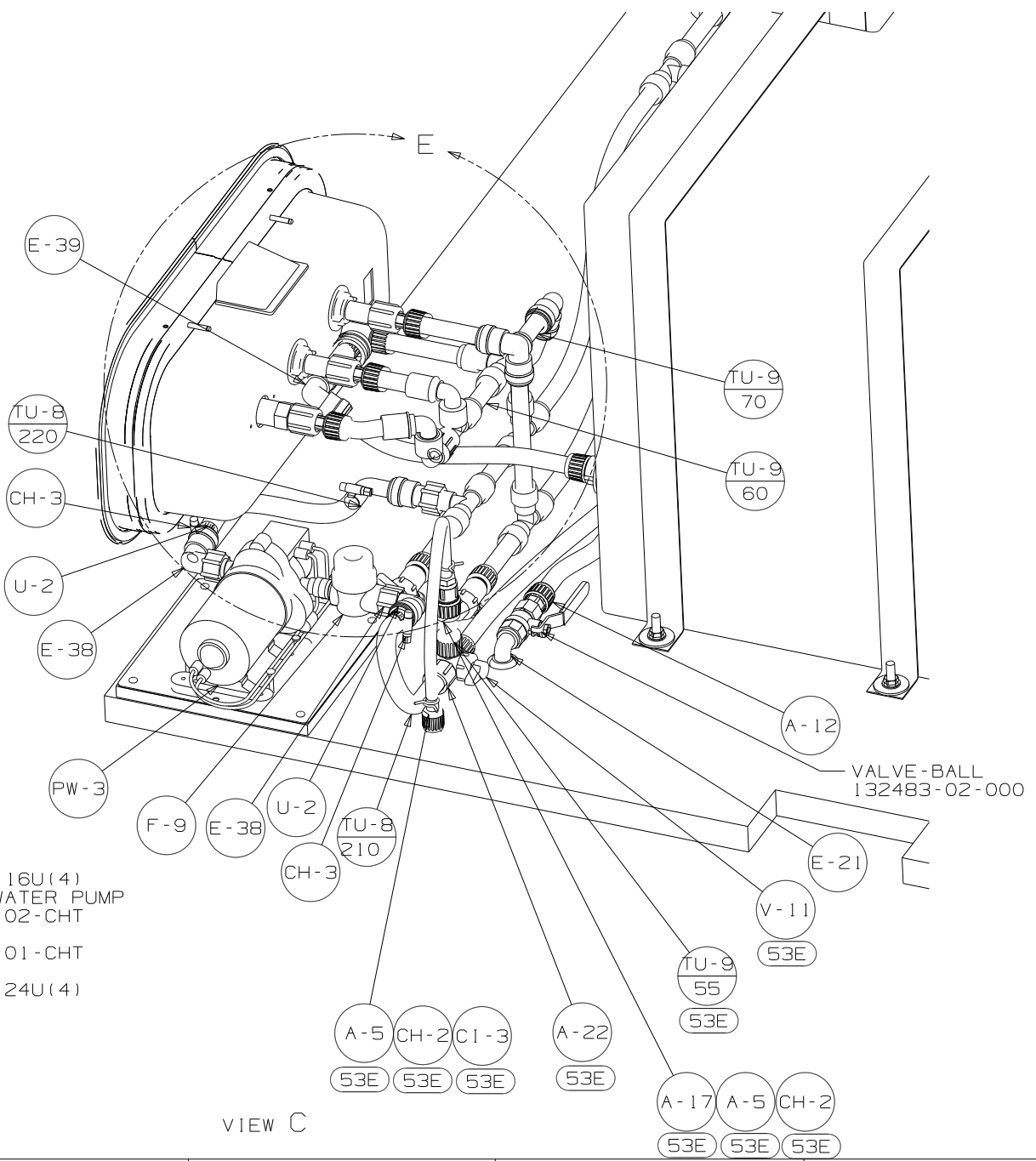
- NOTES:
- 7 BOLTS TO BE INSTALLED IN FLOOR ASM PRIOR TO THE FLOOR BEING INSTALLED ON FRAME ASM.
  - 6 ADD TEFLON TAPE 10405-03-000.
  - 5 ADD TEFLON TAPE 10405-02-000.
  - 4 ADD TEFLON TAPE 10405-01-000.
3. ALL TUBING TO BE SECURED AT 1200 INTERVALS MAXIMUM WITH CLAMP 10495-01-000 AND SCREW G67-10-12B OR EQUIVALENT.
  2. TUBING TO BE INSTALLED WITH SUFFICIENT SLOPE TO PROVIDE DRAINAGE TO NEAREST VALVE.
  1. PLASTIC FITTINGS TO BE SEALED WITH SEALANT 84456-01-000.

(X-X)  
FOR  
WATER  
CALLOUTS  
SEE DWG NO  
116230-01-000

<b>WINNEBAGO</b>		COPYRIGHT 2008 WINNEBAGO INDUSTRIES, INC.	
DFTR	ORIG. DATE	ALL DIMENSIONS ARE IN MILLIMETERS	
CHKR		FIRST USED	
P.E.		08 524DL	
M.E.		UNSPECIFIED TOLERANCES ARE:	
DSNR		MATERIAL:	
		WHOLE DIM (X)	: 3
		ONE-PLACE (X.X)	: 1.5
		TWO-PLACE (X.XX)	: 0.50
		ANGLE	: 1°
THIRD ANGLE PROJECTION		DO NOT SCALE DRAWING	
TITLE: WATER SYSTEM INSTL			
SHEET 1 OF 4	PART NO	164905	REV
REF:	1 2/6/2008		

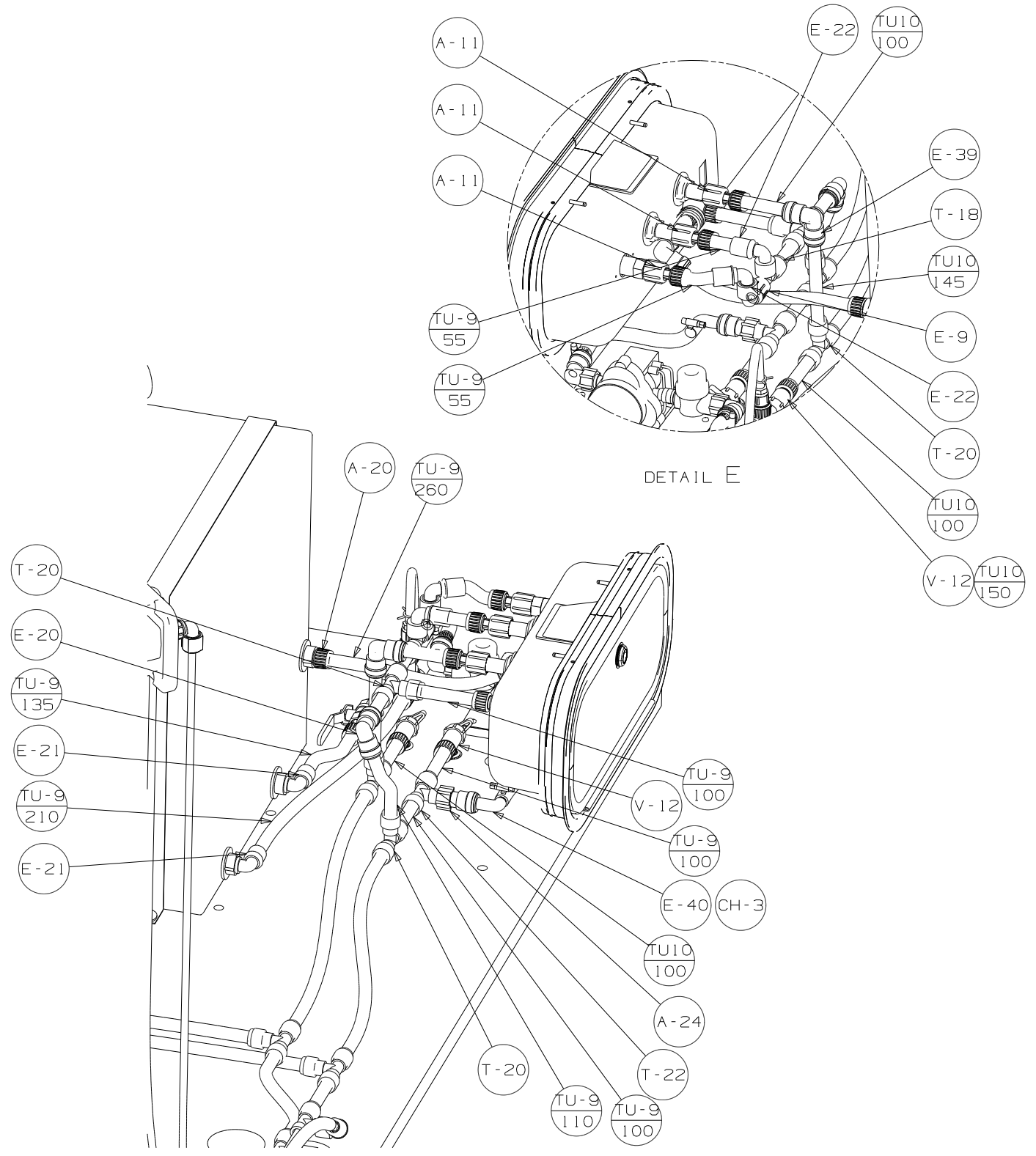


FIRST USED	08 524DL	
TITLE	DO NOT SCALE DRAWING	
SHEET 2	PART NO	164905
	REV	



- SCREW  
G39-08-16U(4)
- PANEL-WATER PUMP  
149477-02-CHT
- FOAM  
140364-01-CHT
- SCREW  
G39-08-24U(4)

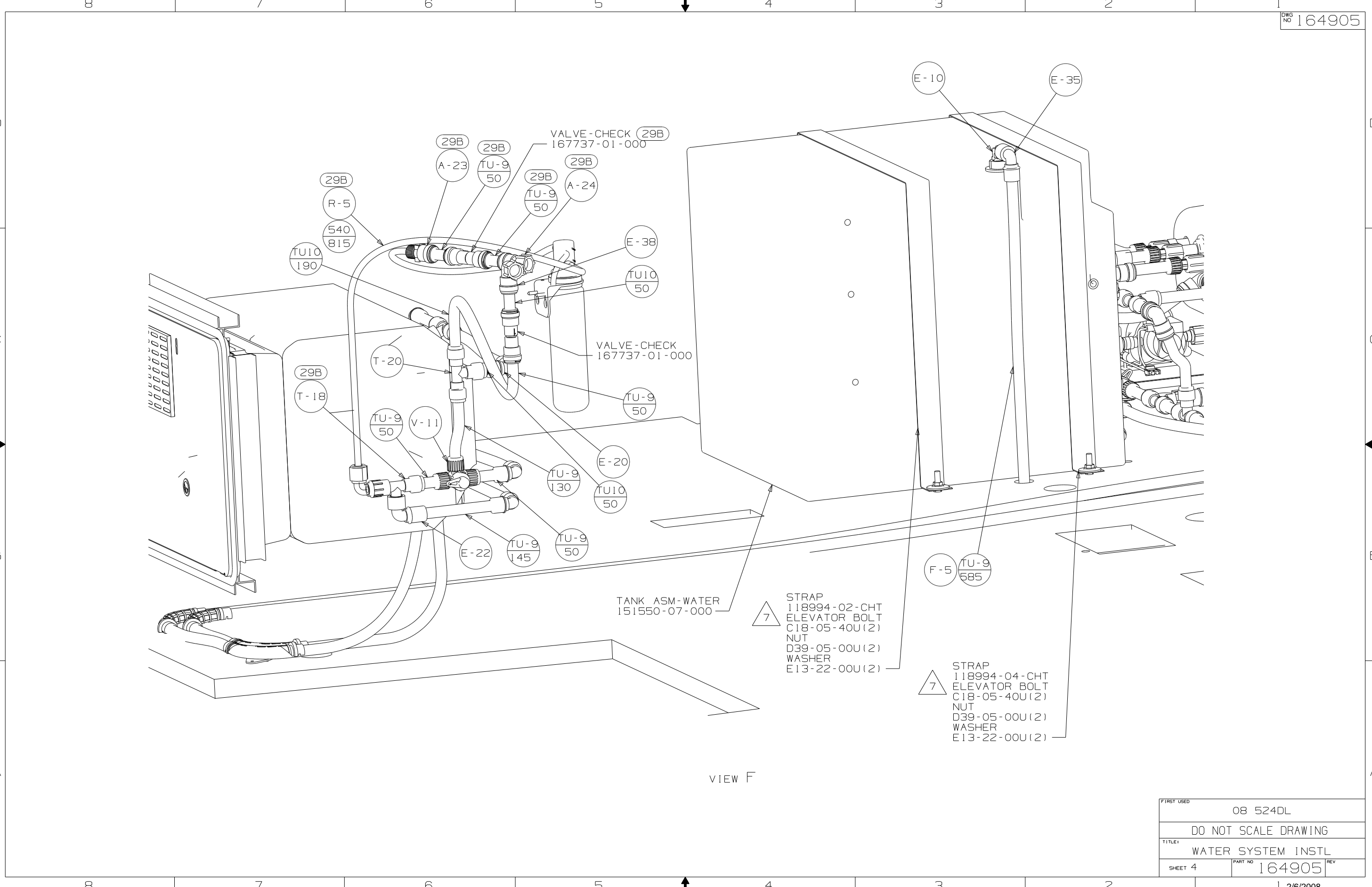
VIEW C



DETAIL E

VIEW D

FIRST USED	08 524DL		
TITLE:	DO NOT SCALE DRAWING		
	WATER SYSTEM INSTL		
SHEET 3	PART NO	164905	REV
			1 2/6/2008



TANK ASM-WATER  
151550-07-000

7  
STRAP  
118994-02-CHT  
ELEVATOR BOLT  
C18-05-40U(2)  
NUT  
D39-05-00U(2)  
WASHER  
E13-22-00U(2)

7  
STRAP  
118994-04-CHT  
ELEVATOR BOLT  
C18-05-40U(2)  
NUT  
D39-05-00U(2)  
WASHER  
E13-22-00U(2)

VIEW F

FIRST USED	08 524DL		
TITLE:	DO NOT SCALE DRAWING		
	WATER SYSTEM INSTL		
SHEET 4	PART NO	164905	REV