

- (B1) CODES/STANADARDS USA
- (265) CODES/STANDARDS-CSA/CMVSS
- (1JD) DRAINGE SYSTEM-HEATED-W/O
- (23T) DRAINAGE SYSTEM-HEATED

- NOTES:
9. ADD COVER TO FLOOR BEFORE FLOOR IS INSTALLED.
 8. SECURE DRAINAGE PIPES TO CABINET USING WIRE TIE 108046-02-000, AND SCREW G67-10-12B AT INTERVALS OF NOT MORE THAN 4 FEET APART.
 7. SECURE VENT PIPE TO FLOOR WITH CLAMP 62401-02-000 (2),SCREW G67-10-12B (2), BRACKET 136878-01-CHT (2).
 6. VENT PIPE MUST PROJECT 51 MIN AND 64 MAX ABOVE ROOF FOR PROPER FIT AND FUNCTION.
 5. SEAL AROUND SHOWER WITH SILICONE.
 4. ALL EXTERIOR OPENINGS AROUND PIPE TO BE SEALED WITH 131264-03-000.
 3. ALL PIPE AND FITTINGS TO BE ASSEMBLED WITH SOLVENT 4020-01-000 (USA), 4020-02-000 (CAN)
 2. SLOPE OF TRAP ARM MUST BE 6 PER 305 mm.
 1. SLOPE OF HORIZONTAL PIPING TO BE MINIMUM OF 3 PER 305 mm.

WINNEBAGO		COPYRIGHT 2008 WINNEBAGO INDUSTRIES, INC.	
DFTR	ORIG. DATE	ALL DIMENSIONS ARE IN MILLIMETERS	
CHKR		FIRST USED	
P.E.		08 524CL	
M.E.		UNSPECIFIED TOLERANCES ARE:	
DSNR		MATERIAL:	
		WHOLE DIM (X)	: 3
		ONE-PLACE (X.X)	: 1.5
		TWO-PLACE (X.XX)	: 0.50
		ANGLE	: 1°
THIRD ANGLE PROJECTION		DO NOT SCALE DRAWING	
TITLE: DRAINAGE SYSTEM INSTL			
SHEET 1 OF 4	PART NO	163699	REV
REF:	1 2/6/2008		

(X-X)
FOR
DRAINAGE
CALLOUTS
SEE DWG NO
116229-01-000

SINK-LAVATORY
 151679-01-CHT
 SEAL
 91255-02-000 (A/R)
 STRAINER
 163569-01-000
 TAILPIECE
 11069-05-000
 NUT
 130403-01-000
 WASHER-RUBBER
 127440-02-CHT

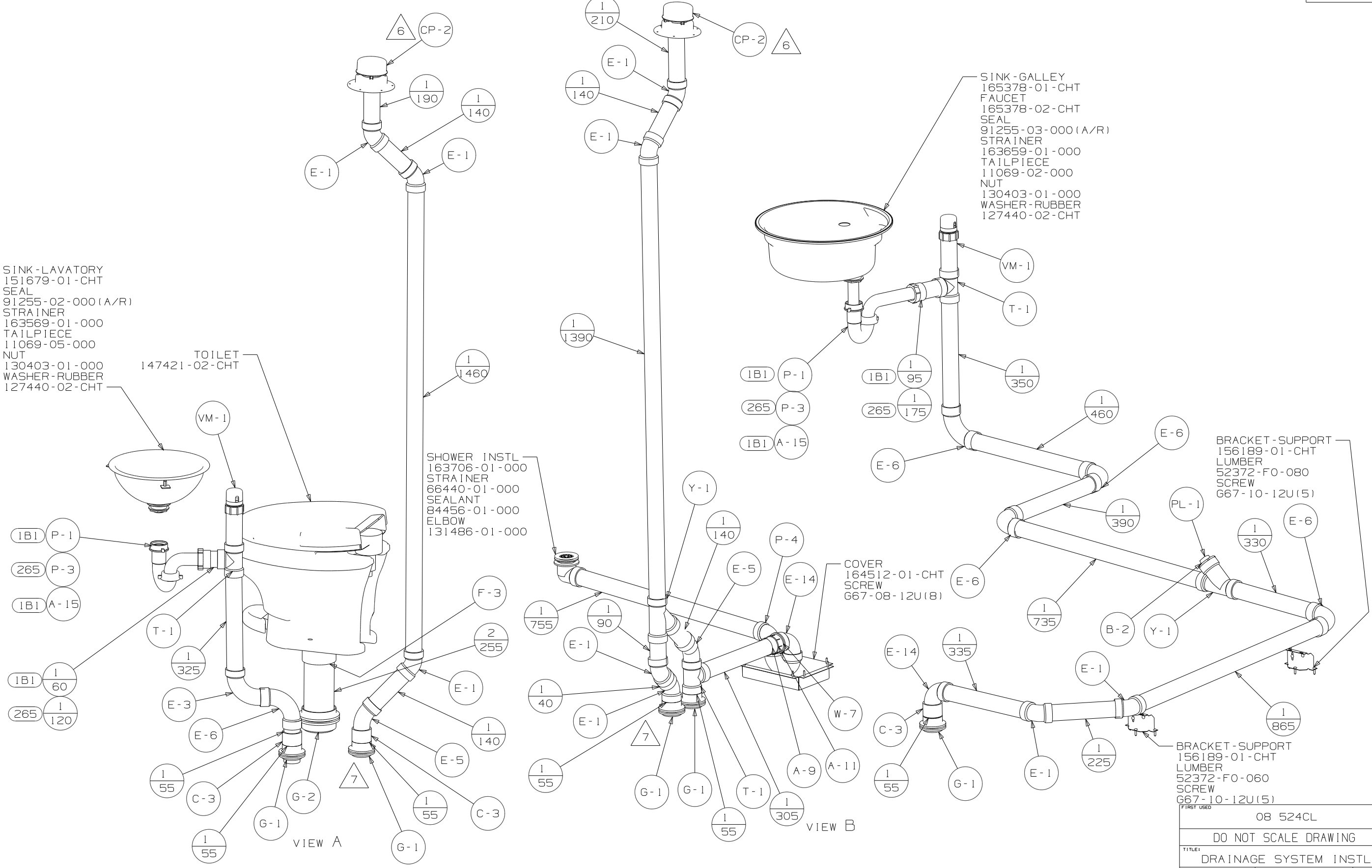
TOILET
 147421-02-CHT

SHOWER INSTL
 163706-01-000
 STRAINER
 66440-01-000
 SEALANT
 84456-01-000
 ELBOW
 131486-01-000

SINK-GALLEY
 165378-01-CHT
 FAUCET
 165378-02-CHT
 SEAL
 91255-03-000 (A/R)
 STRAINER
 163659-01-000
 TAILPIECE
 11069-02-000
 NUT
 130403-01-000
 WASHER-RUBBER
 127440-02-CHT

BRACKET-SUPPORT
 156189-01-CHT
 LUMBER
 52372-F0-080
 SCREW
 G67-10-12U(5)

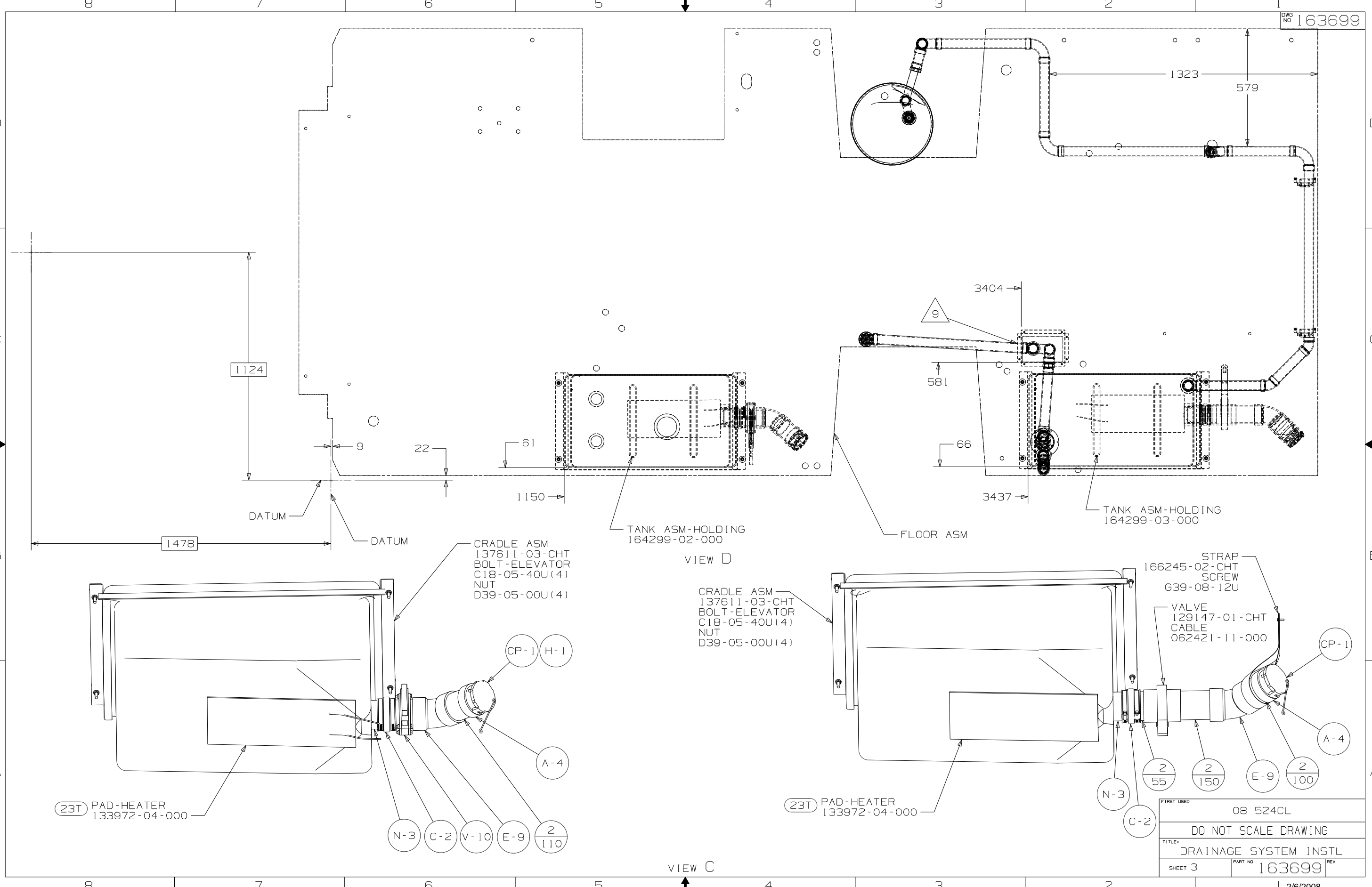
BRACKET-SUPPORT
 156189-01-CHT
 LUMBER
 52372-F0-060
 SCREW
 G67-10-12U(5)



VIEW A

VIEW B

FIRST USED	08 524CL	
TITLE:	DO NOT SCALE DRAWING	
	DRAINAGE SYSTEM INSTL	
SHEET 2	PART NO	163699
	REV	



1124

1478

DATUM

DATUM

CRADLE ASM
137611-03-CHT
BOLT-ELEVATOR
C18-05-40U(4)
NUT
D39-05-00U(4)

TANK ASM-HOLDING
164299-02-000

VIEW D

CRADLE ASM
137611-03-CHT
BOLT-ELEVATOR
C18-05-40U(4)
NUT
D39-05-00U(4)

FLOOR ASM

TANK ASM-HOLDING
164299-03-000

23T PAD-HEATER
133972-04-000

23T PAD-HEATER
133972-04-000

STRAP
166245-02-CHT
SCREW
G39-08-12U

VALVE
129147-01-CHT
CABLE
062421-11-000

N-3 C-2 V-10 E-9 2/110

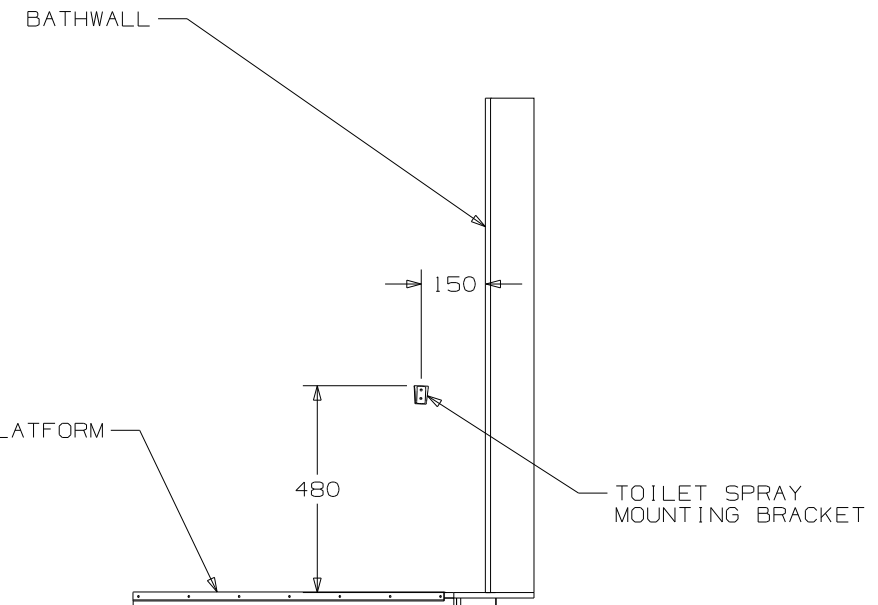
N-3 2/55 2/150 E-9 2/100 A-4 CP-1

FIRST USED 08 524CL

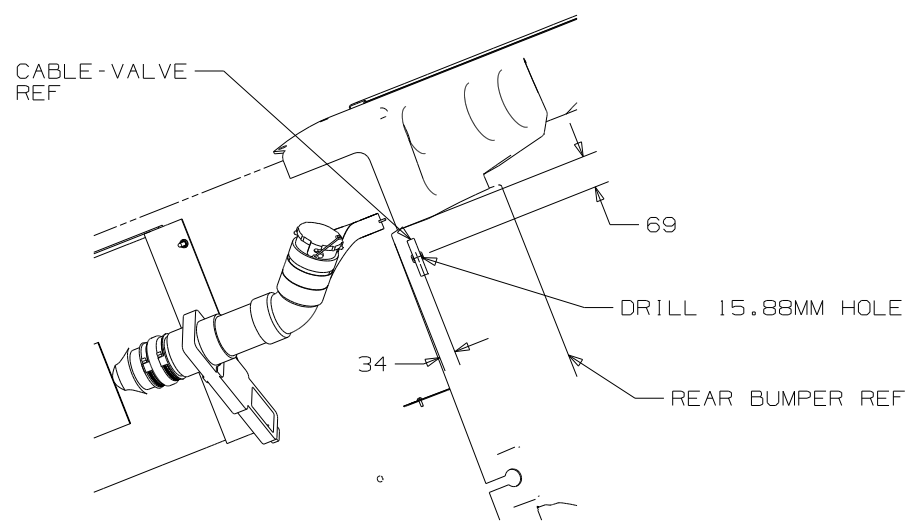
DO NOT SCALE DRAWING

TITLE: DRAINAGE SYSTEM INSTL

SHEET 3 PART NO 163699 REV

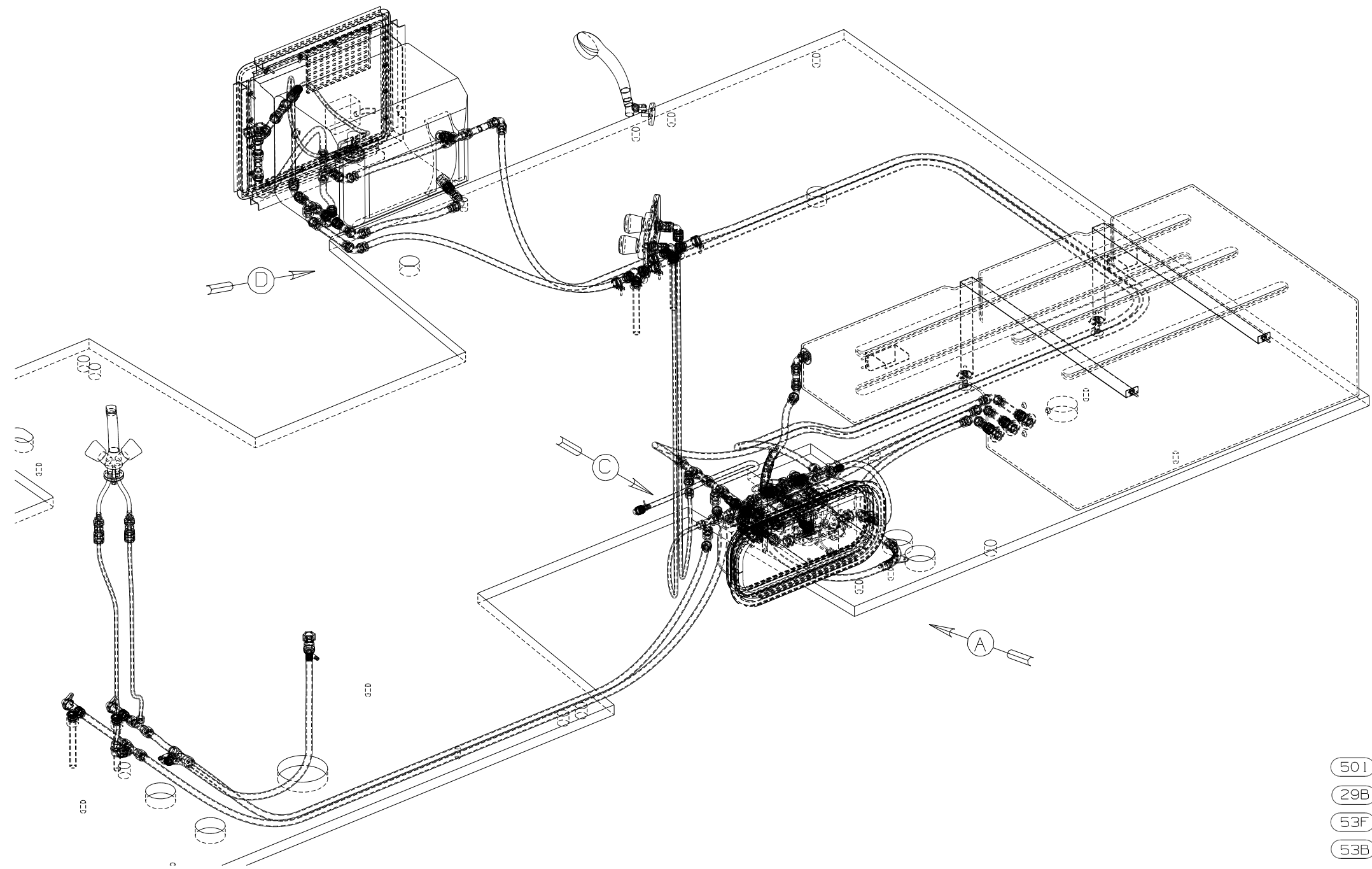


VIEW E



VIEW F

FIRST USED	08 524CL	
TITLE	DO NOT SCALE DRAWING	
	DRAINAGE SYSTEM INSTL	
SHEET 4	PART NO 163699	REV

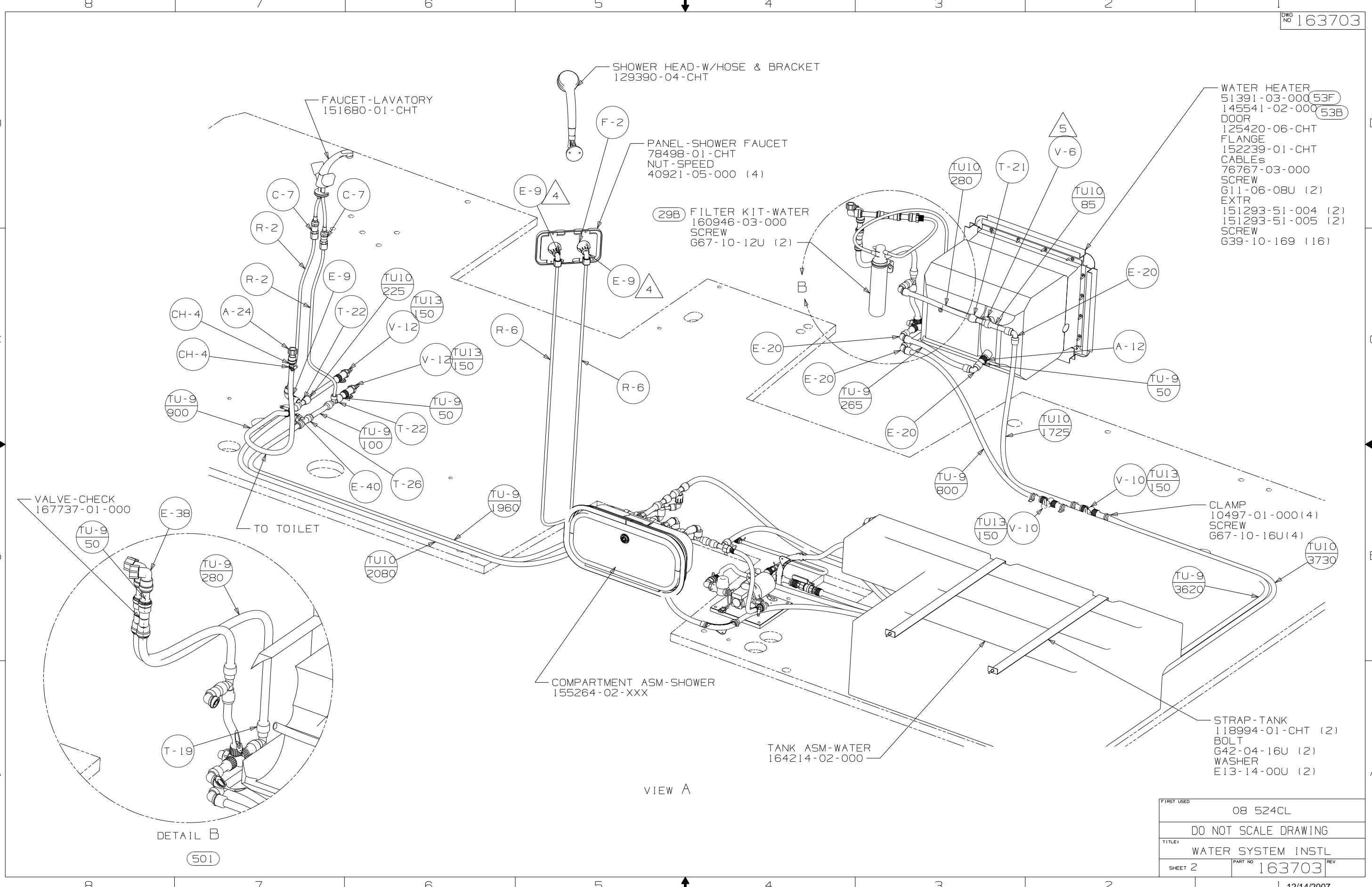


- (501) WATER PURIFIER WITHOUT
- (29B) WATER PURIFIER
- (53F) WATER HEATER-ELEC IGNITION
- (53B) WTR HTR-6 GAL ELEC/LP GAS

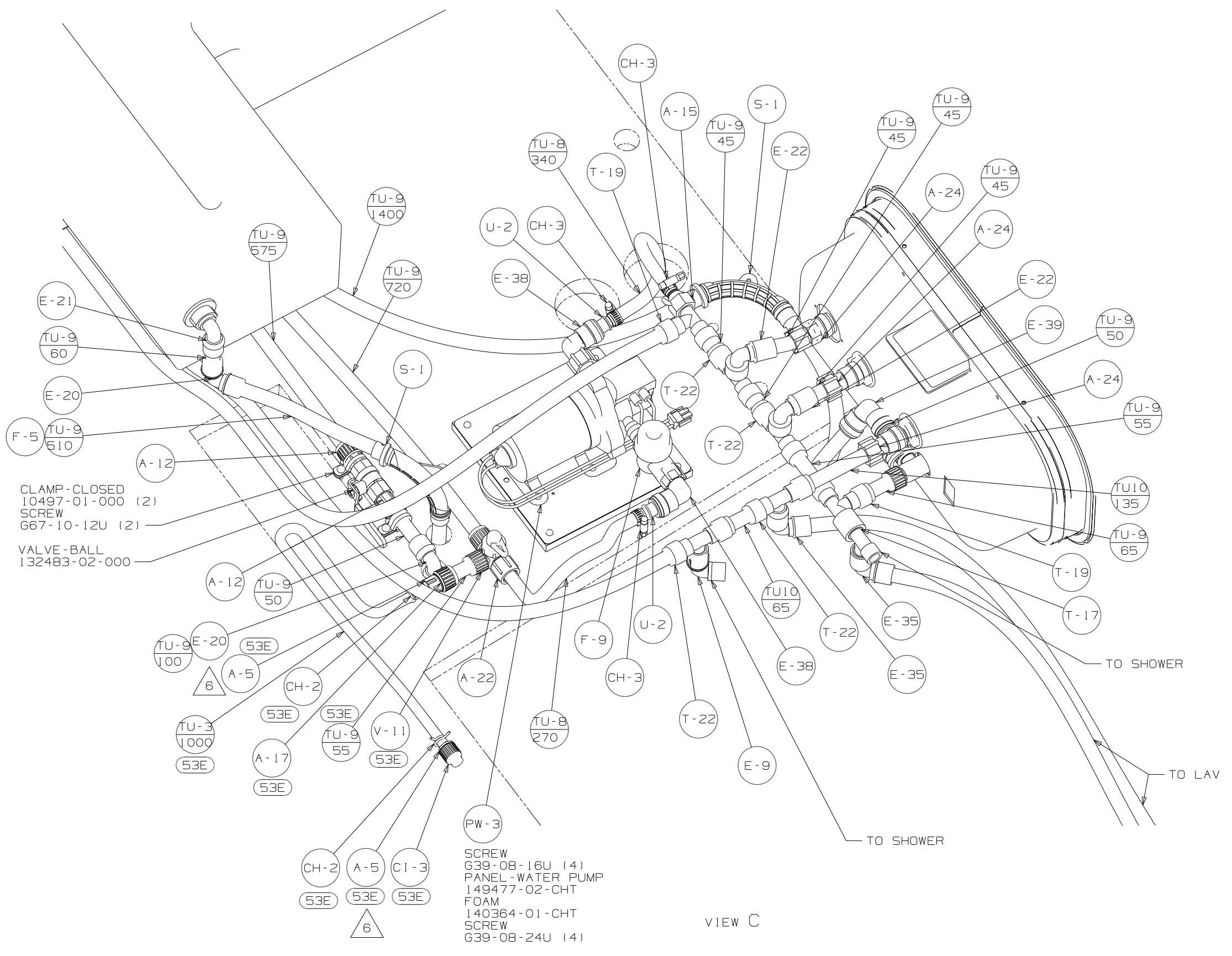
- NOTES:
- 7 BOLTS TO BE INSTALLED IN FLOOR ASM PRIOR TO THE FLOOR BEING INSTALLED ON FRAME ASM.
 - 6 ADD TEFLON TAPE 10405-03-000.
 - 5 ADD TEFLON TAPE 10405-02-000.
 - 4 ADD TEFLON TAPE 10405-01-000.
3. ALL TUBING TO BE SECURED AT 1200 INTERVALS MAXIMUM WITH CLAMP 10495-01-000 AND SCREW G67-10-12B OR EQUIVALENT.
 2. TUBING TO BE INSTALLED WITH SUFFICIENT SLOPE TO PROVIDE DRAINAGE TO NEAREST VALVE.
 1. PLASTIC FITTINGS TO BE SEALED WITH SEALANT 84456-01-000.

WINNEBAGO		COPYRIGHT 2007 WINNEBAGO INDUSTRIES, INC.	
DFTR	ORIG. DATE	ALL DIMENSIONS ARE IN MILLIMETERS	
CHKR		FIRST USED	
P.E.		08 524CL	
M.E.		UNSPECIFIED TOLERANCES ARE:	
DSNR		MATERIAL:	
		WHOLE DIM (X)	: 3
		ONE-PLACE (X.X)	: 1.5
		TWO-PLACE (X.XX)	: 0.50
		ANGLE	: 1°
THIRD ANGLE PROJECTION		DO NOT SCALE DRAWING	
TITLE: WATER SYSTEM INSTL			
SHEET 1 OF 5	PART NO	163703	REV
REF:	12/14/2007		

(X-X)
FOR
WATER
CALLOUTS
SEE DWG NO
116230-01-000



FIRST USED	08 524CL	
TITLE:	DO NOT SCALE DRAWING	
	WATER SYSTEM INSTL	
SHEET 2	PART NO	163703 REV

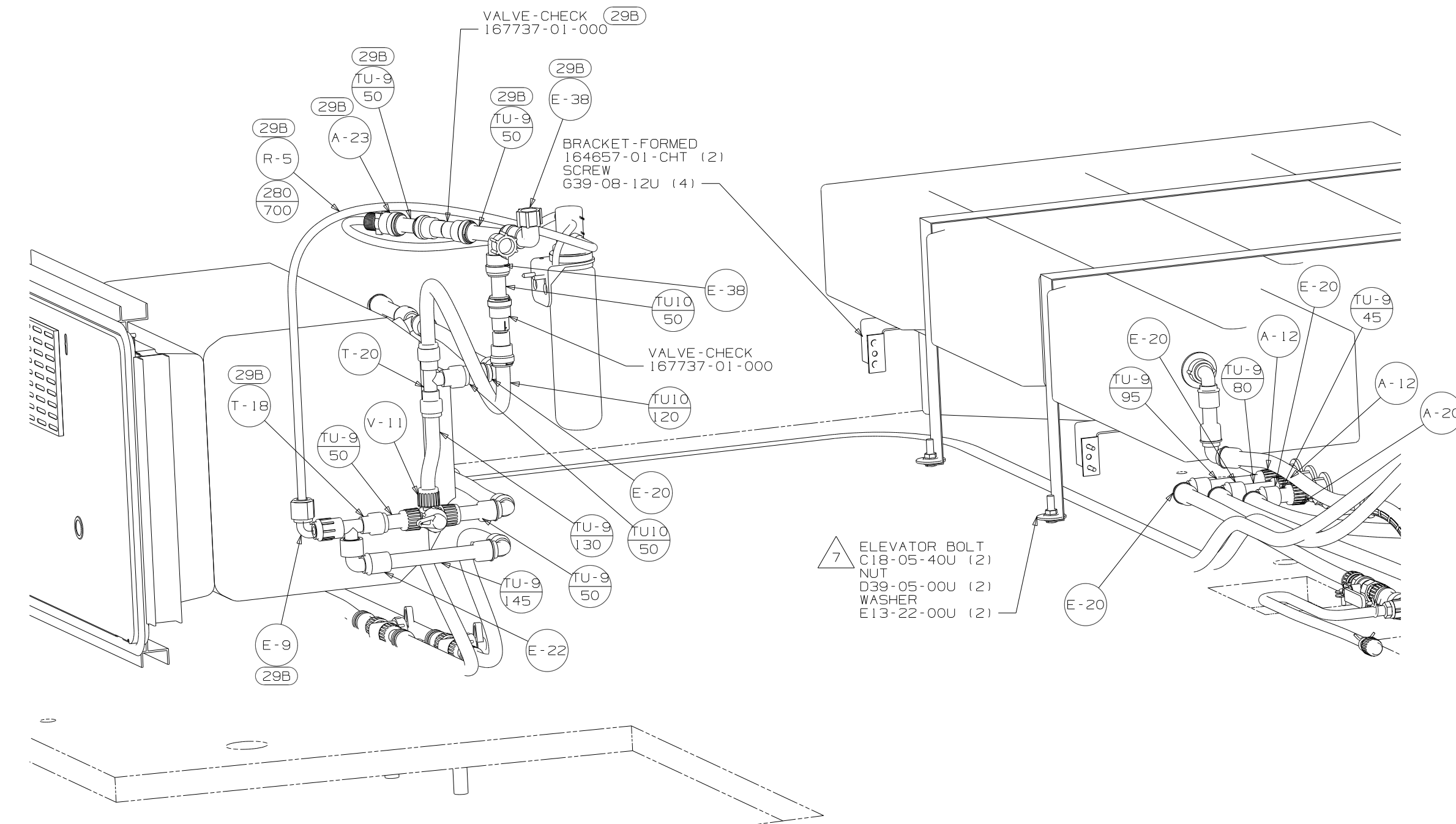


CLAMP-CLOSED
10497-01-000 (2)
SCREW
G67-10-12U (2)
VALVE-BALL
132483-02-000

SCREW
G39-08-16U (4)
PANEL - WATER PUMP
149477-02-CHT
FOAM
140364-01-CHT
SCREW
G39-08-24U (4)

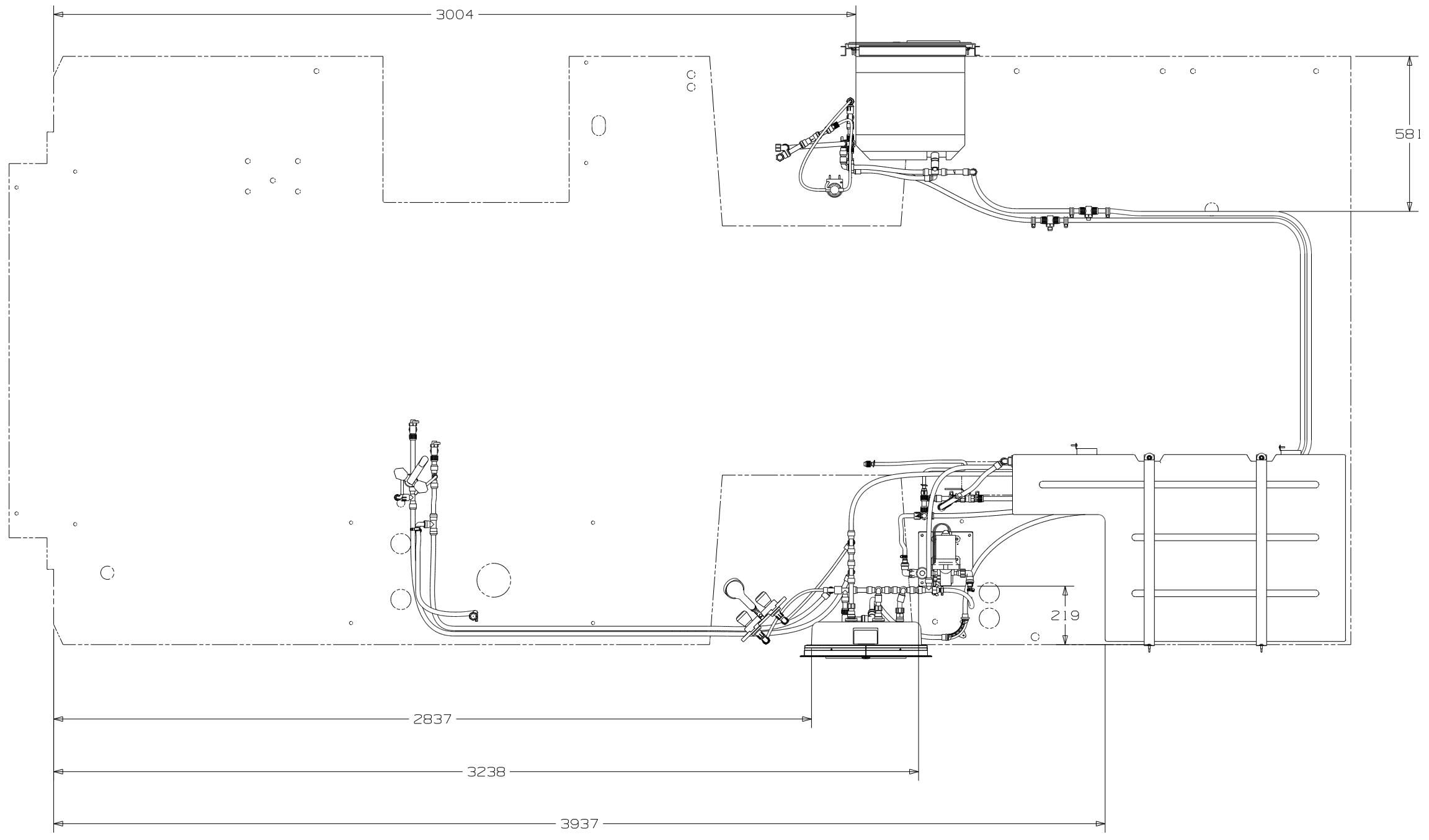
VIEW C

FIRST USED	08 524CL	
TITLE	DO NOT SCALE DRAWING	
SHEET 3	PART NO	163703
	REV	



VIEW D

FIRST USED	08 524CL		
TITLE:	DO NOT SCALE DRAWING		
	WATER SYSTEM INSTL		
SHEET 4	PART NO	163703	REV



FIRST USED	OB 524CL
TITLE	DO NOT SCALE DRAWING
SHEET 5	PART NO 163703
	REV