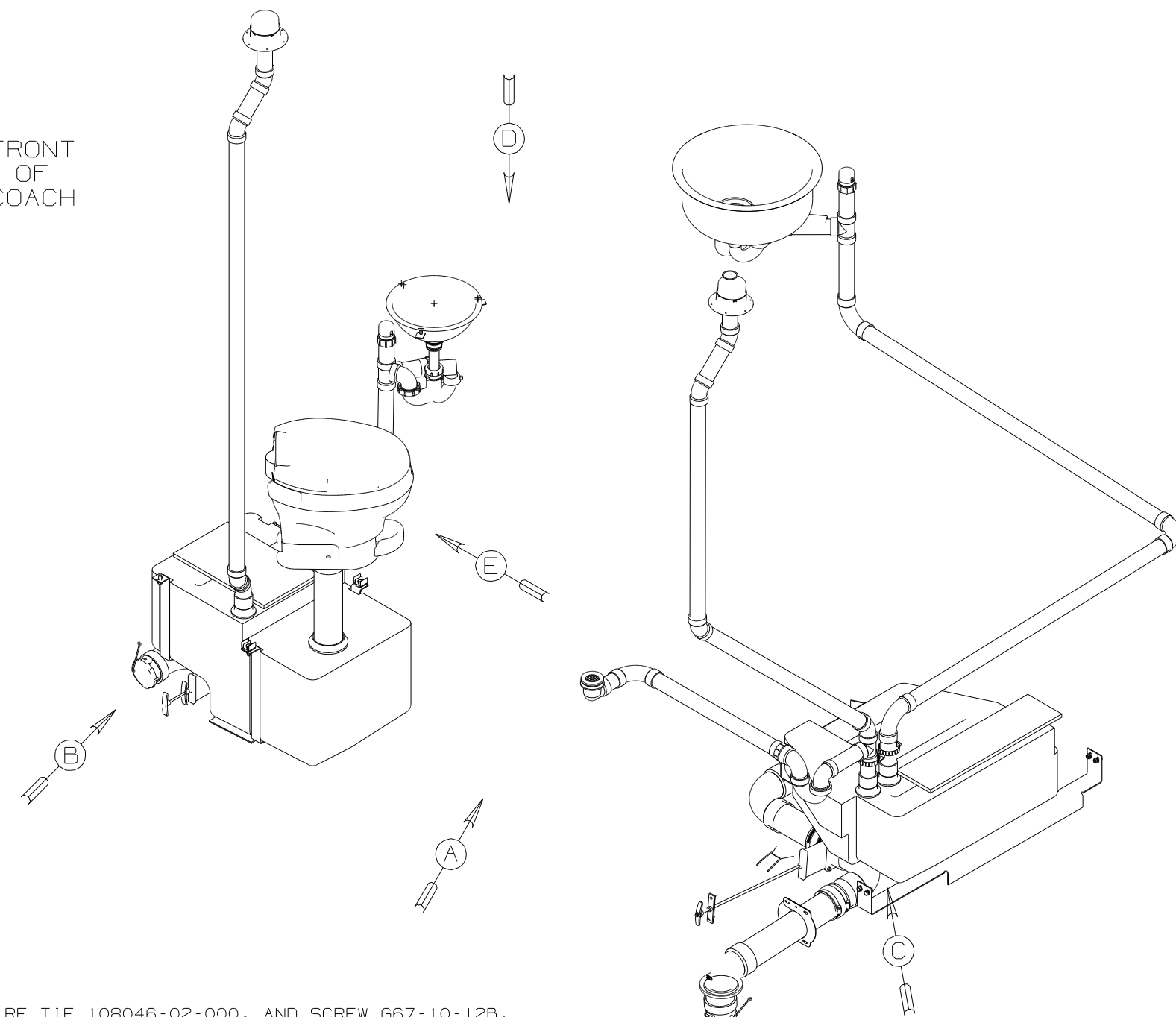


FRONT
OF
COACH



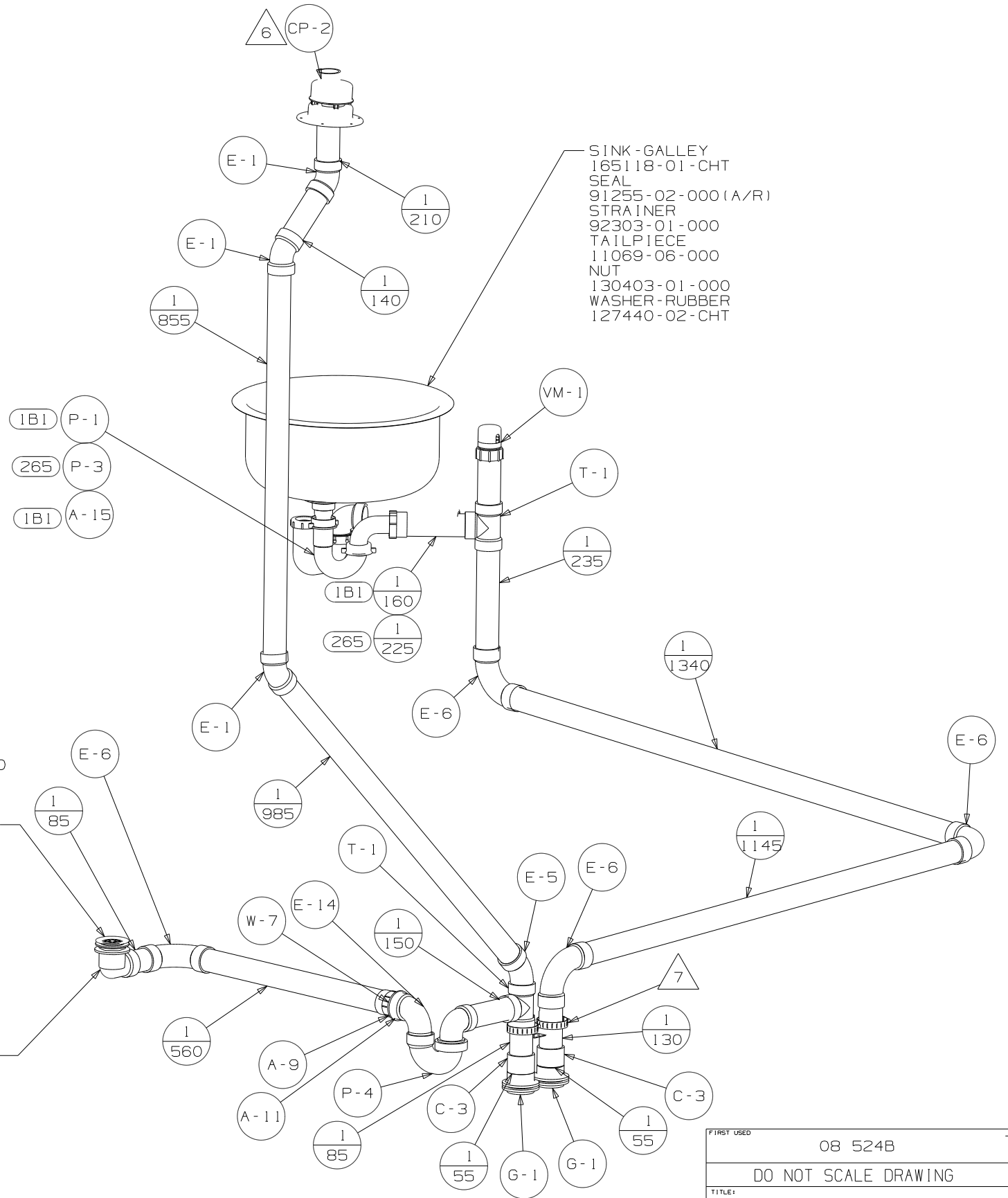
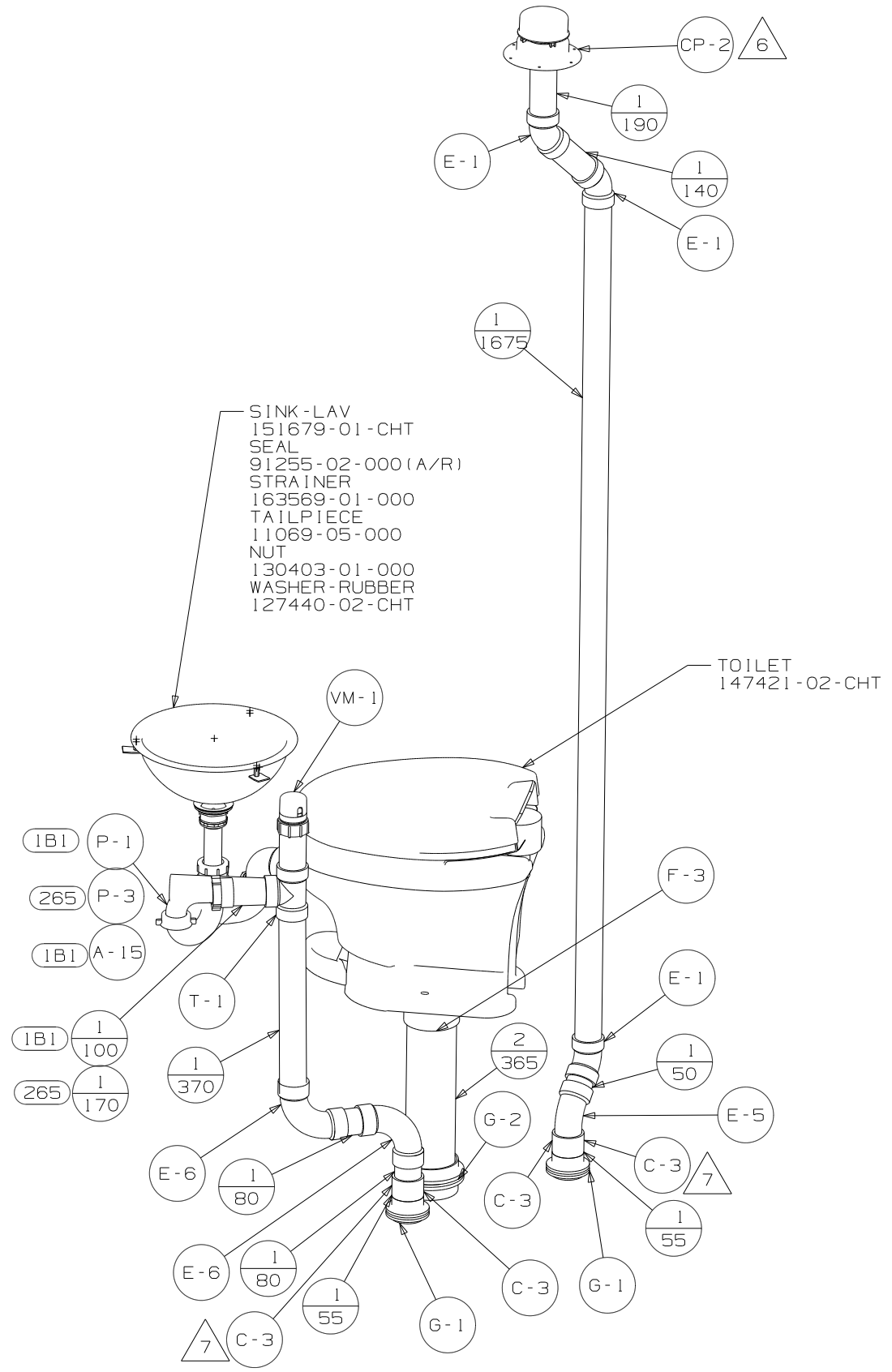
- (B) CODES/STANDARDS-USA
- (265) CODES/STANDARDS-CSA/CMVSS
- (1JD) DRAINAGE SYSTEM-HEATED-W/O
- (23T) DRAINAGE SYSTEM-HEATED

- △ (B) SECURE PIPES TO CABINET USING WIRE TIE 108046-02-000, AND SCREW G67-10-12B.
- △ (7) SECURE VENT TUBES TO FLOOR WITH CLAMP 62401-02-000, SCREW G67-10-12B (2), BRACKET 136878-01-CHT.
- △ (6) VENT PIPE MUST PROJECT 51 MIN AND 64 MAX ABOVE ROOF FOR PROPER FIT AND FUNCTION.
- 5. SEAL AROUND SHOWER WITH SILICONE.
- 4. ALL EXTERIOR OPENINGS AROUND PIPE TO BE SEALED WITH 131264-03-000.
- 3. ALL PIPE AND FITTINGS TO BE ASSEMBLED WITH SOLVENT 4020-01-000 (USA), 4020-02-000 (CAN)
- 2. SLOPE OF TRAP ARM MUST BE 6 PER 305 mm.
- 1. SLOPE OF HORIZONTAL PIPING TO BE MIN 3 PER 305 mm.

NOTES:

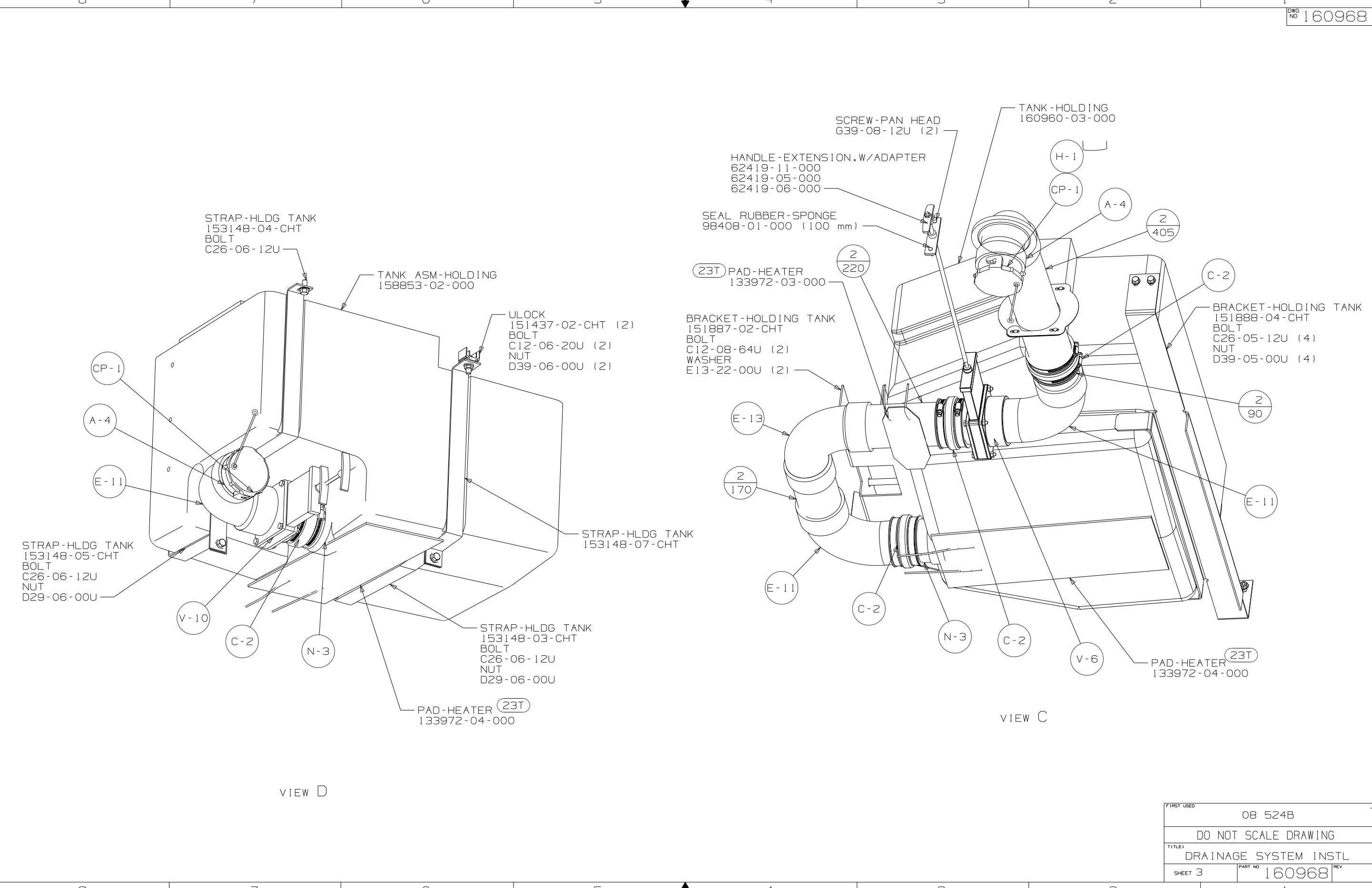
(X-X)
FOR
DRAINAGE
CALLOUTS
SEE DWG NO
116229-01-000

WINNEBAGO		COPYRIGHT 2007 WINNEBAGO INDUSTRIES, INC.	
DFTR	ORIG. DATE	ALL DIMENSIONS ARE IN MILLIMETERS	
CHKR		FIRST USED	
P.E.		08 524B	
M.E.		UNSPECIFIED TOLERANCES ARE:	
DSNR		MATERIAL:	
		WHOLE DIM (X)	: 3
		ONE-PLACE (X.X)	: 1.5
		TWO-PLACE (X.XX)	: 0.50
		ANGLE	: 1°
THIRD ANGLE PROJECTION		DO NOT SCALE DRAWING	
TITLE: DRAINAGE SYSTEM INSTL			
SHEET 1 OF 4	PART NO	160968	REV
REF:	12/12/2007		



VIEW A

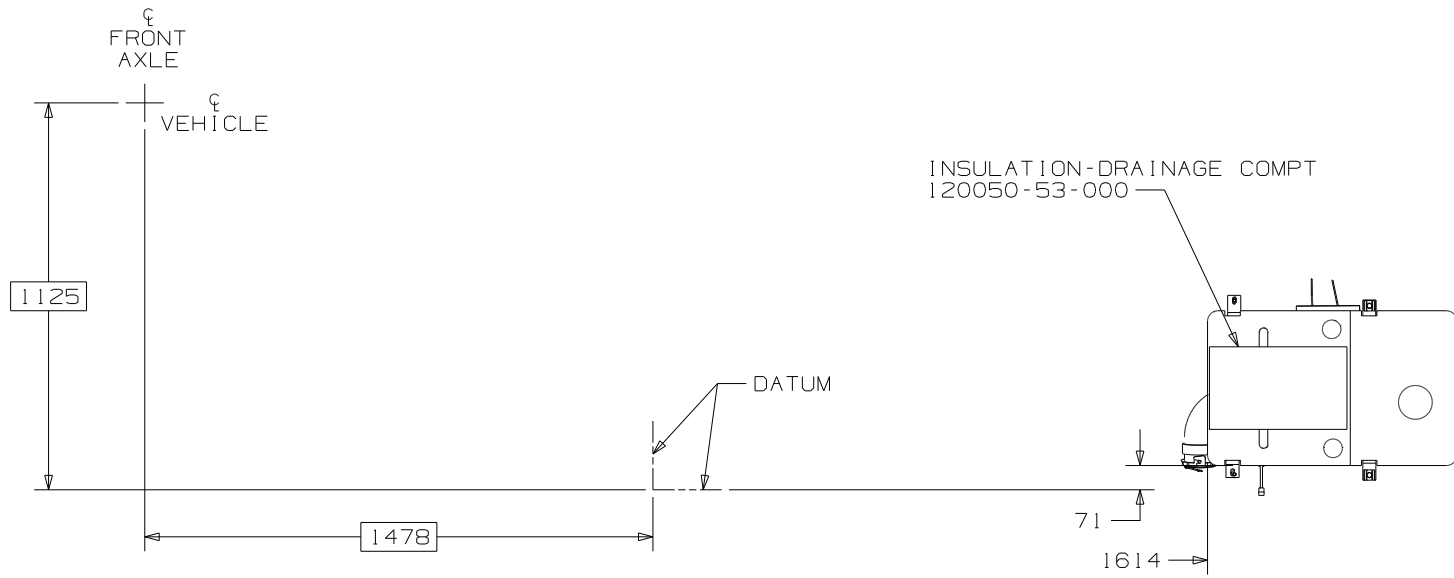
FIRST USED	08 524B		
TITLE	DO NOT SCALE DRAWING		
	DRAINAGE SYSTEM INSTL		
SHEET 2	PART NO	160968	REV



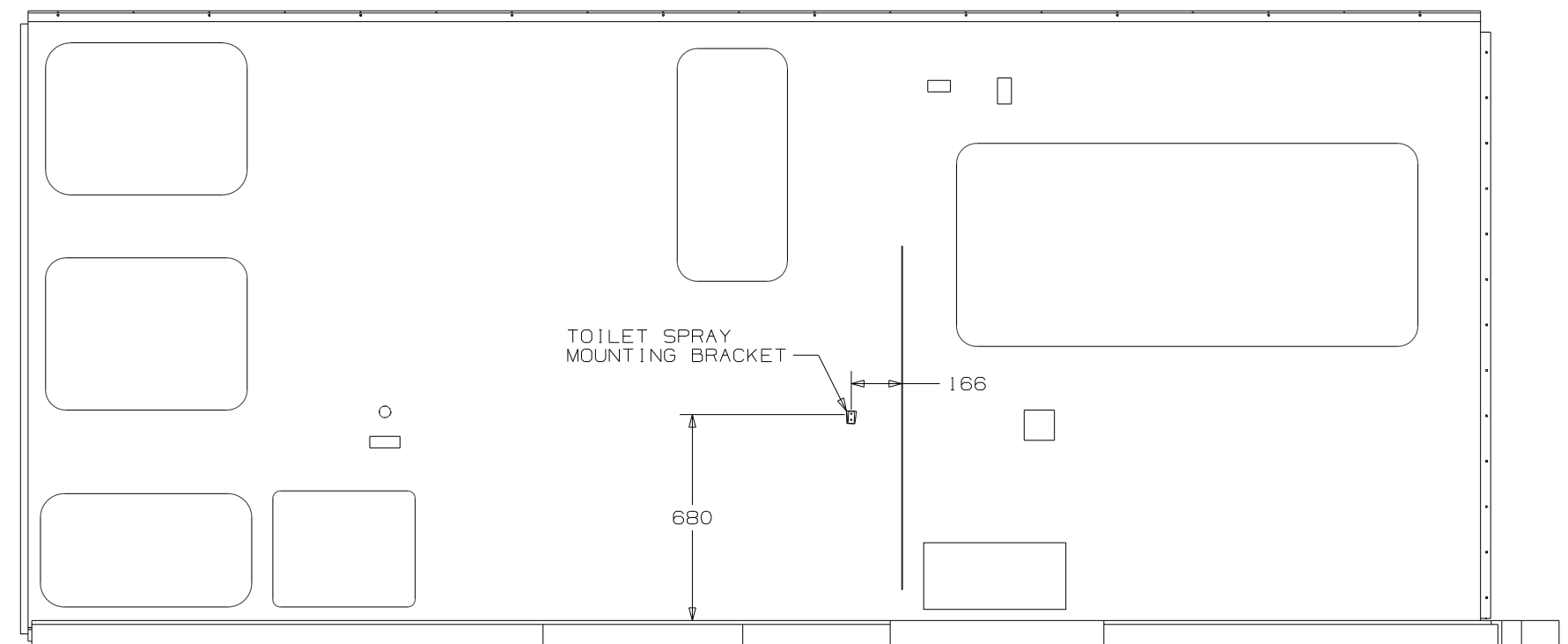
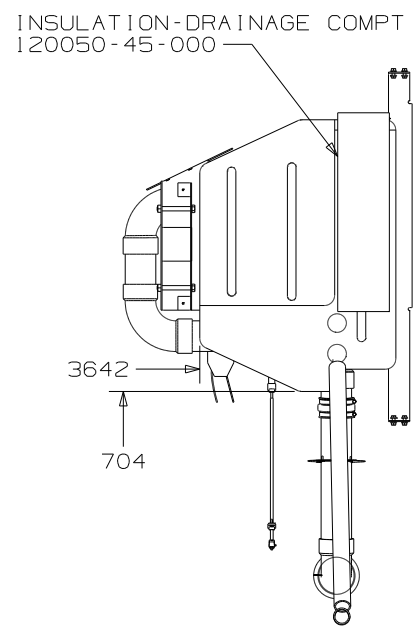
VIEW D

VIEW C

FIRST USED	08 524B	
TITLE	DO NOT SCALE DRAWING	
	DRAINAGE SYSTEM INSTL	
SHEET 3	PART NO	REV
	160968	

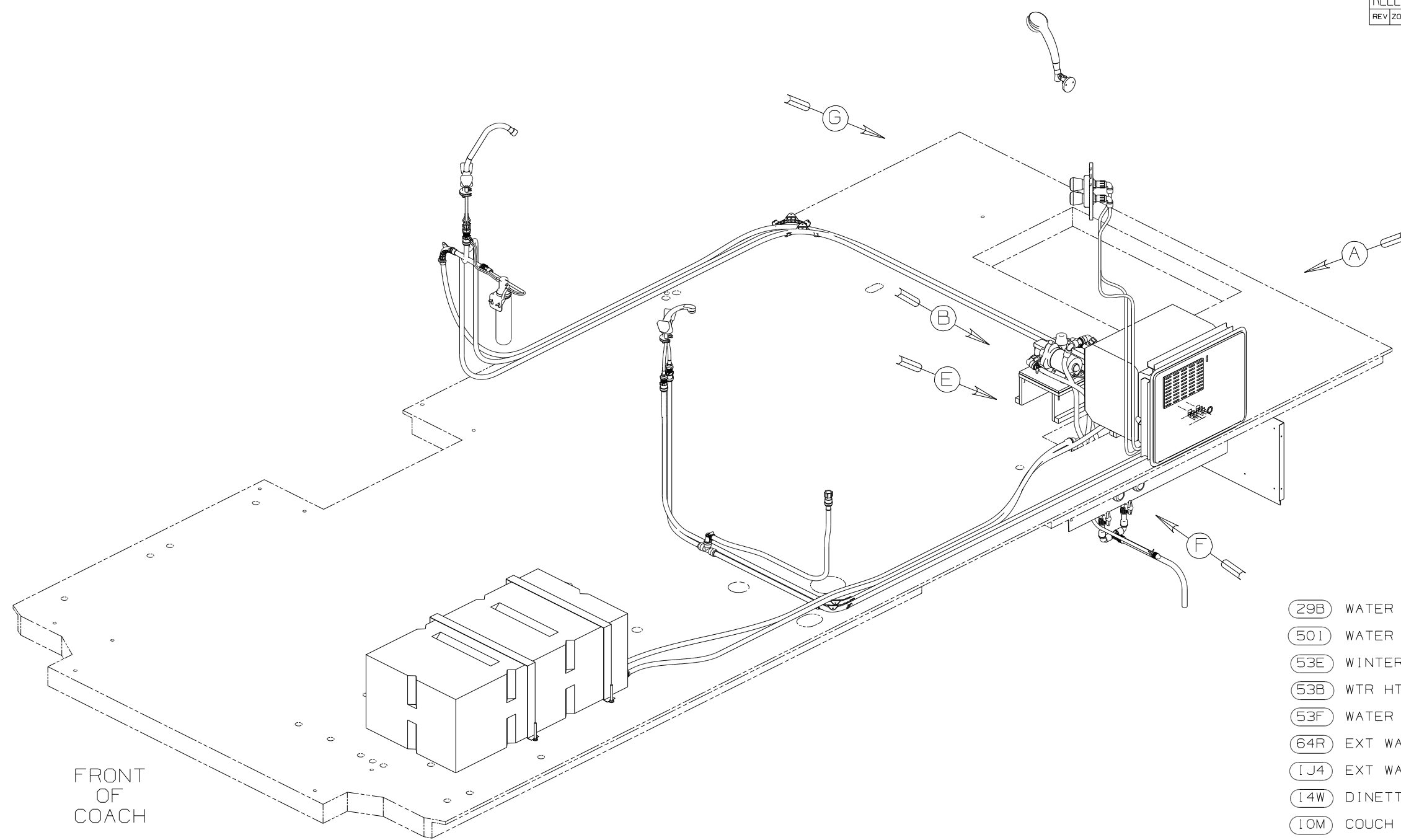


VIEW D



VIEW E

FIRST USED	08 524B
DO NOT SCALE DRAWING	
TITLE	DRAINAGE SYSTEM INSTL
SHEET 4	PART NO 160968 REV



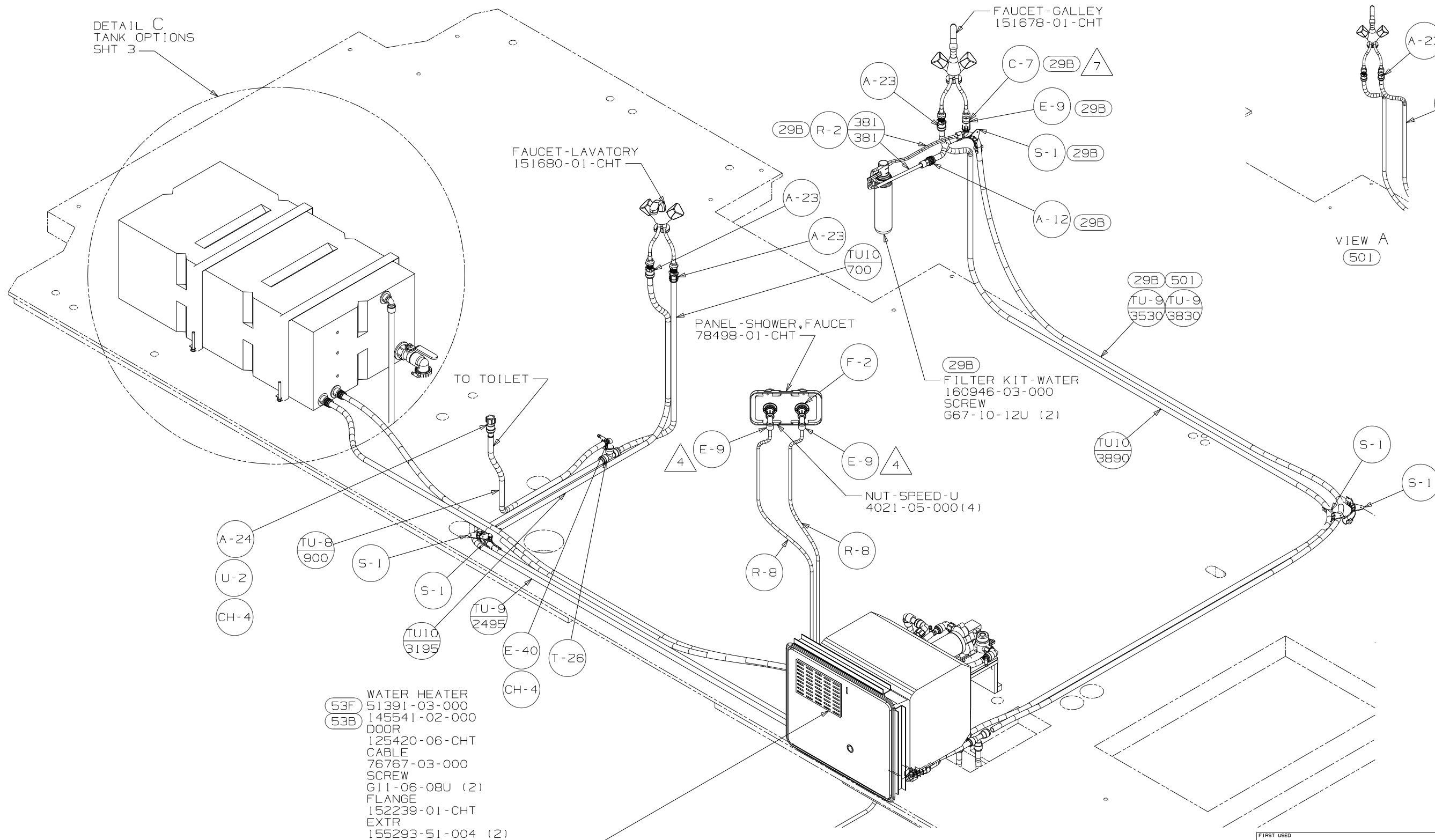
FRONT
OF
COACH

- (29B) WATER PURIFIER
- (501) WATER PURIFIER W/O
- (53E) WINTERIZING PKG
- (53B) WTR HTR-6 GAL ELECTRIC/LP GAS
- (53F) WATER HEATER-ELEC IGN
- (64R) EXT WASH STATION
- (1J4) EXT WASH STATION W/O
- (14W) DINETTE
- (10M) COUCH

- NOTES:
- 7 INSTALL CONNECTOR WITH TAPERED END AWAY FROM FAUCET.
 - 6 ADD TEFLON TAPE 10405-03-000.
 - 5 ADD TEFLON TAPE 10405-02-000.
 - 4 ADD TEFLON TAPE 10405-01-000.
3. ALL TUBING TO BE SECURED AT 1200 INTERVALS MAXIMUM WITH CLAMP 10495-01-000 AND SCREW G67-10-12B OR EQUIVALENT.
 2. TUBING TO BE INSTALLED WITH SUFFICIENT SLOPE TO PROVIDE DRAINAGE TO NEAREST VALVE.
 1. PLASTIC FITTINGS TO BE SEALED WITH SEALANT 84456-01-000.

(X-X)
FOR
WATER
CALLOUTS
SEE DWG NO
116230-01-000

WINNEBAGO		COPYRIGHT 2007 WINNEBAGO INDUSTRIES, INC.	
DFT	ORIG. DATE	ALL DIMENSIONS ARE IN MILLIMETERS	
CHKR		FIRST USED	
P.E.		08 524B	
M.E.		UNSPECIFIED TOLERANCES ARE:	
DSNR		MATERIAL:	
		WHOLE DIM (X)	: 3
		ONE-PLACE (X.X)	: 1.5
		TWO-PLACE (X.XX)	: 0.50
		ANGLE	: 1°
THIRD ANGLE PROJECTION		DO NOT SCALE DRAWING	
TITLE: WATER SYSTEM INSTL			
SHEET 1 OF 4	PART NO	160971	REV
REF:	1 10/23/2007		



DETAIL C
TANK OPTIONS
SHT 3

FAUCET-LAVATORY
151680-01-CHT

FAUCET-GALLEY
151678-01-CHT

PANEL-SHOWER, FAUCET
78498-01-CHT

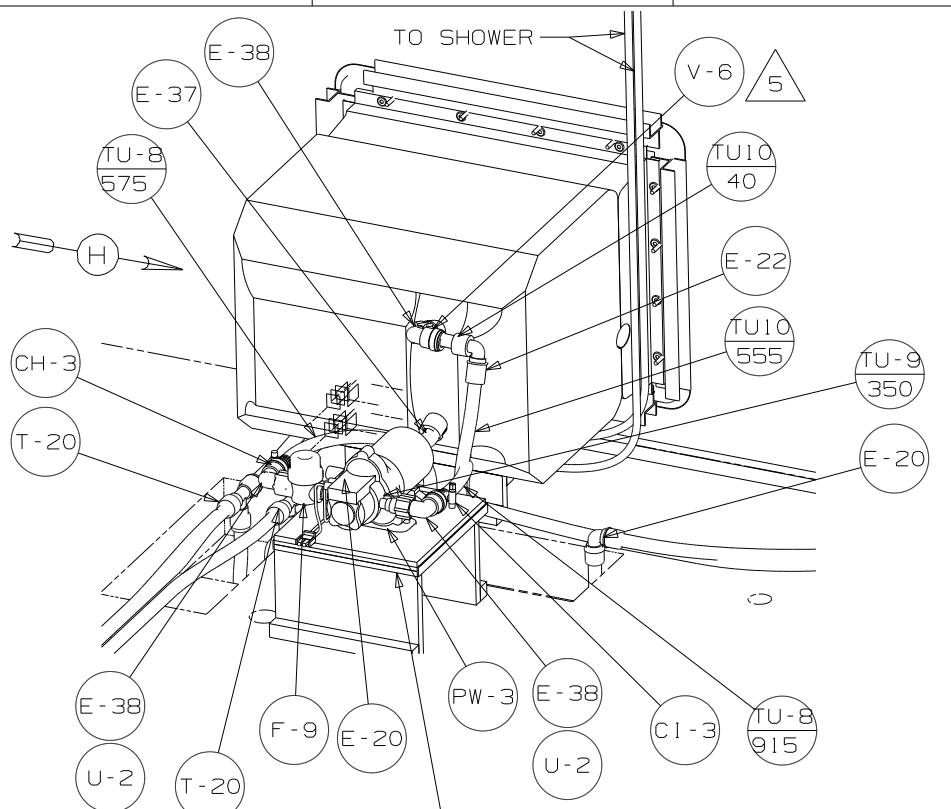
FILTER KIT-WATER
160946-03-000
SCREW
G67-10-12U (2)

VIEW A
501

VIEW A

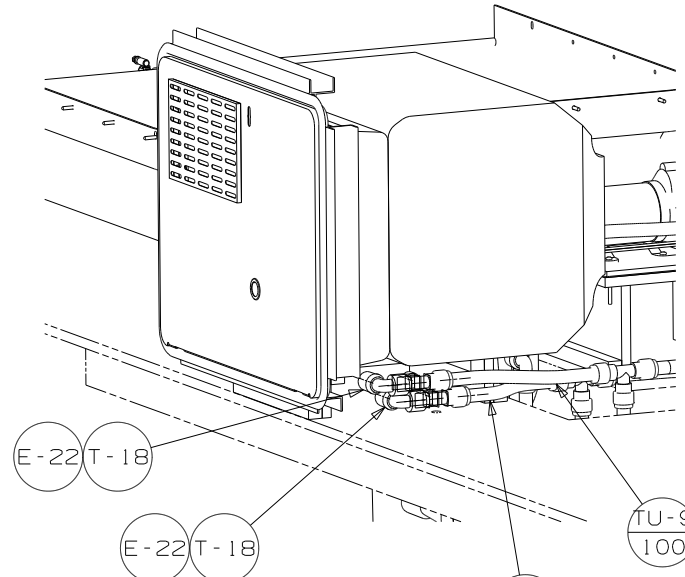
- 53F WATER HEATER 51391-03-000
- 53B DOOR 145541-02-000
- 125420-06-CHT CABLE
- 76767-03-000 SCREW
- G11-06-08U (2) FLANGE
- 152239-01-CHT EXTR
- 155293-51-004 (2) EXTR
- 151293-51-005 (2) SCREW
- G69-10-169 (16) PLATFORM
- 144200-04-000

FIRST USED	08 524B	
TITLE	DO NOT SCALE DRAWING	
TITLE	WATER SYSTEM INSTL	
SHEET 2	PART NO	160971
	REV	

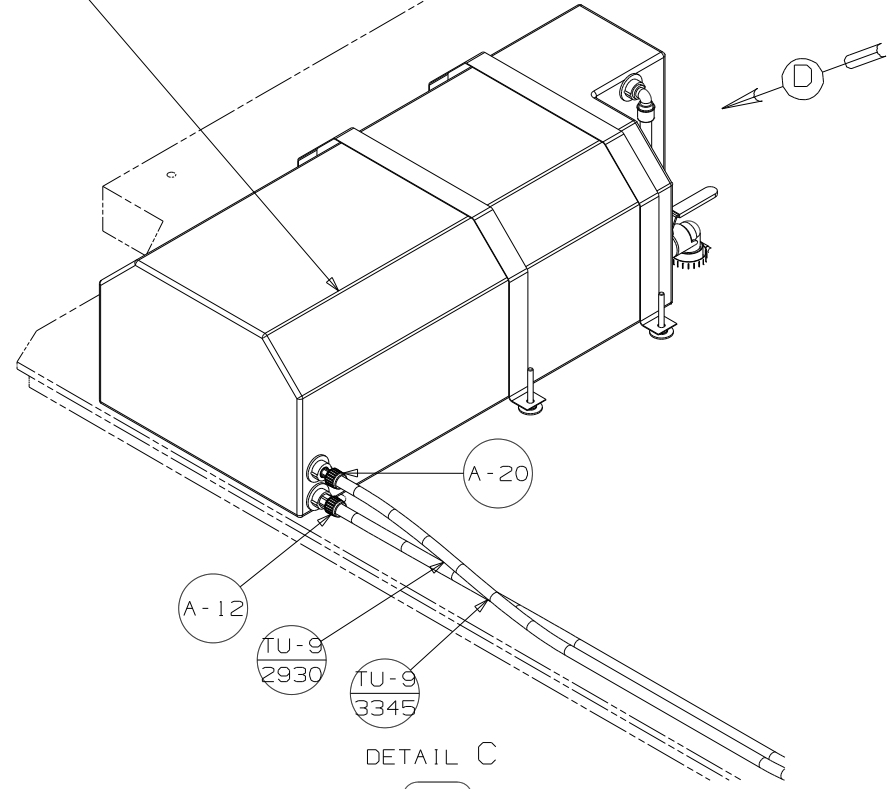


PANEL ASM-WATER PUMP
 149477-02-CHT
 FOAM
 140364-01-CHT
 SCREW
 G39-08-24B
 PLATFORM
 144200-05-000
 VIEW B

TANK - WATER
 159338-02-000
 STRAP - TANK, WATER
 118994-12-CHT (2)
 BOLT
 C16-05-96U (4)
 WASHER
 E13-22-00U (8)
 NUT
 D39-05-00U (4)
 PIPE
 10644-51-002 (2)

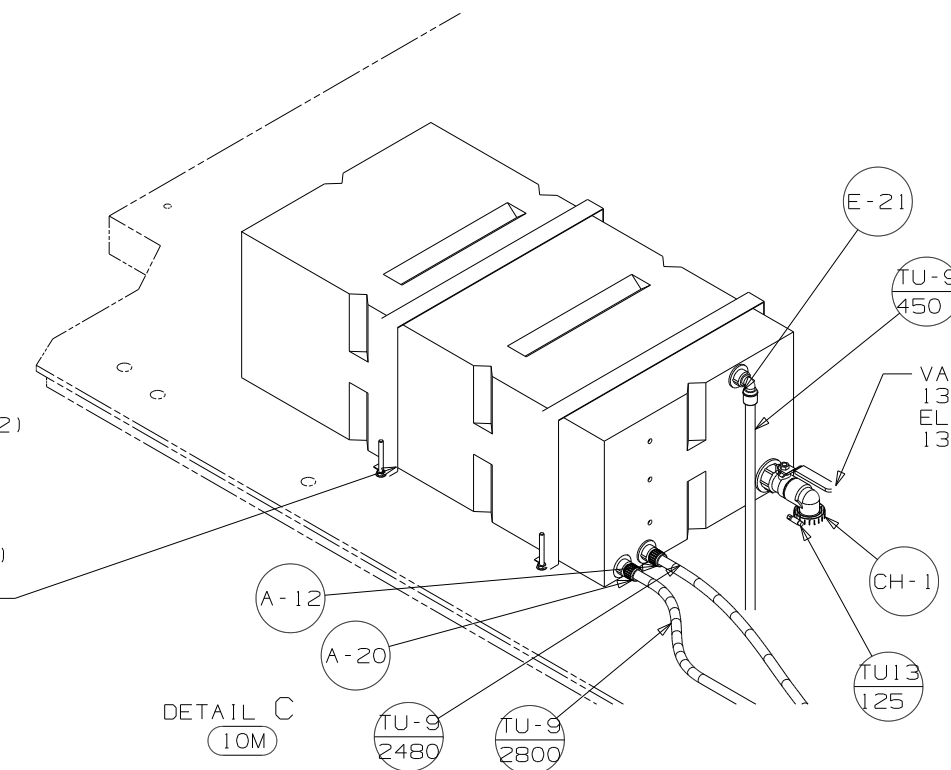


VIEW H



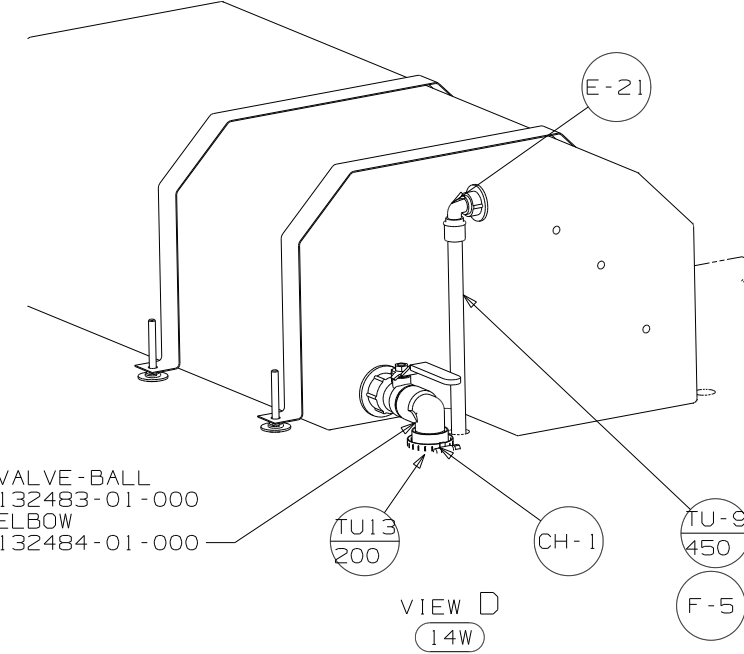
TANK - WATER
 45195-08-000
 STRAP
 118994-11-CHT (2)
 BOLT
 C16-05-96U (4)
 NUT
 D39-05-00U (4)
 PIPE
 10644-51-002 (4)
 WASHER
 E13-22-00U (8)

VALVE - BALL
 132483-01-00
 ELBOW
 132484-01-000



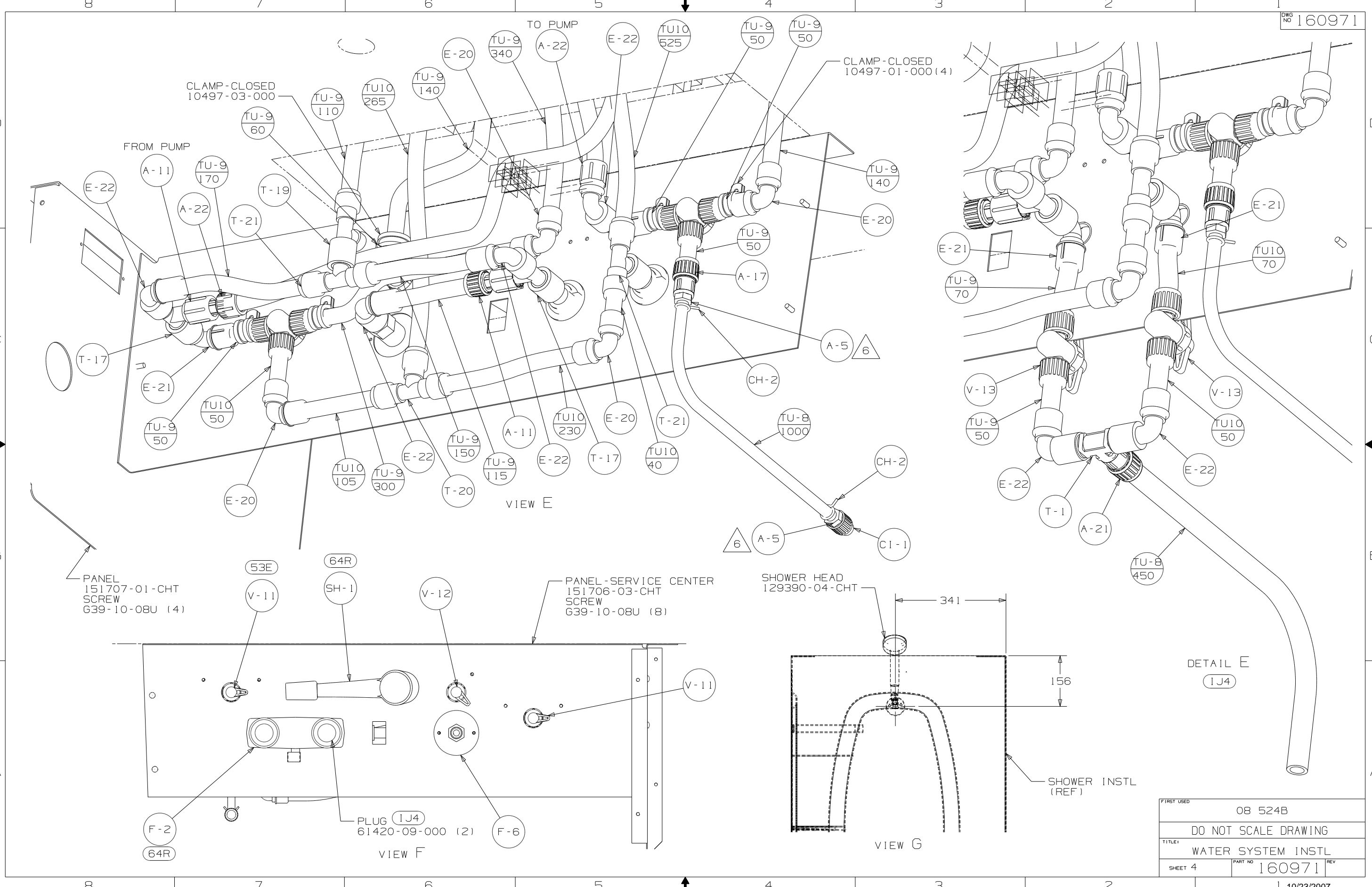
DETAIL C
 10M

VALVE - BALL
 132483-01-000
 ELBOW
 132484-01-000



VIEW D
 14W

FIRST USED	08 524B
DO NOT SCALE DRAWING	
TITLE:	WATER SYSTEM INSTL
SHEET 3	PART NO 160971 REV



FIRST USED	08 524B
TITLE	DO NOT SCALE DRAWING WATER SYSTEM INSTL
SHEET 4	PART NO 160971 REV