

- 1. INSTALL PER MANUFACTURERS LABEL.
- 10. WRAP PAD AROUND ON THE SIDES OF THE TANK.
- 9. SEE WIRING INSTL-BODY, 12V FOR ELECTRICAL CONNECTION.
- 8. SECURE PIPES TO CABINET USING WIRE TIE 108046-02-000, AND SCREW G67-10-12B.
- 7. SECURE VENT TUBES TO FLOOR WITH CLAMP 62401-02-000 (2), SCREW G67-10-12B (2), BRACKET 136878-01-CHT (2).
- 6. VENT PIPE MUST PROJECT 51 MIN AND 64 MAX ABOVE ROOF FOR PROPER FIT AND FUNCTION. ADD S-1 (116666-01-CHT SEAL-VENT PIPE) AROUND PIPE ON ROOF BEFORE VENT CAP IS INSTALLED.
- 5. SEAL AROUND SHOWER WITH SILICONE.
- 4. ALL EXTERIOR OPENINGS AROUND PIPE TO BE SEALED WITH 131264-03-000.
- 3. ALL PIPE AND FITTINGS TO BE ASSEMBLED WITH SOLVENT 4020-01-000 (USA), 4020-02-000 (CAN)
- 2. SLOPE OF TRAP ARM MUST BE 6 PER 305 mm.
- 1. SLOPE OF HORIZONTAL PIPING TO BE MIN 3 PER 305 mm.

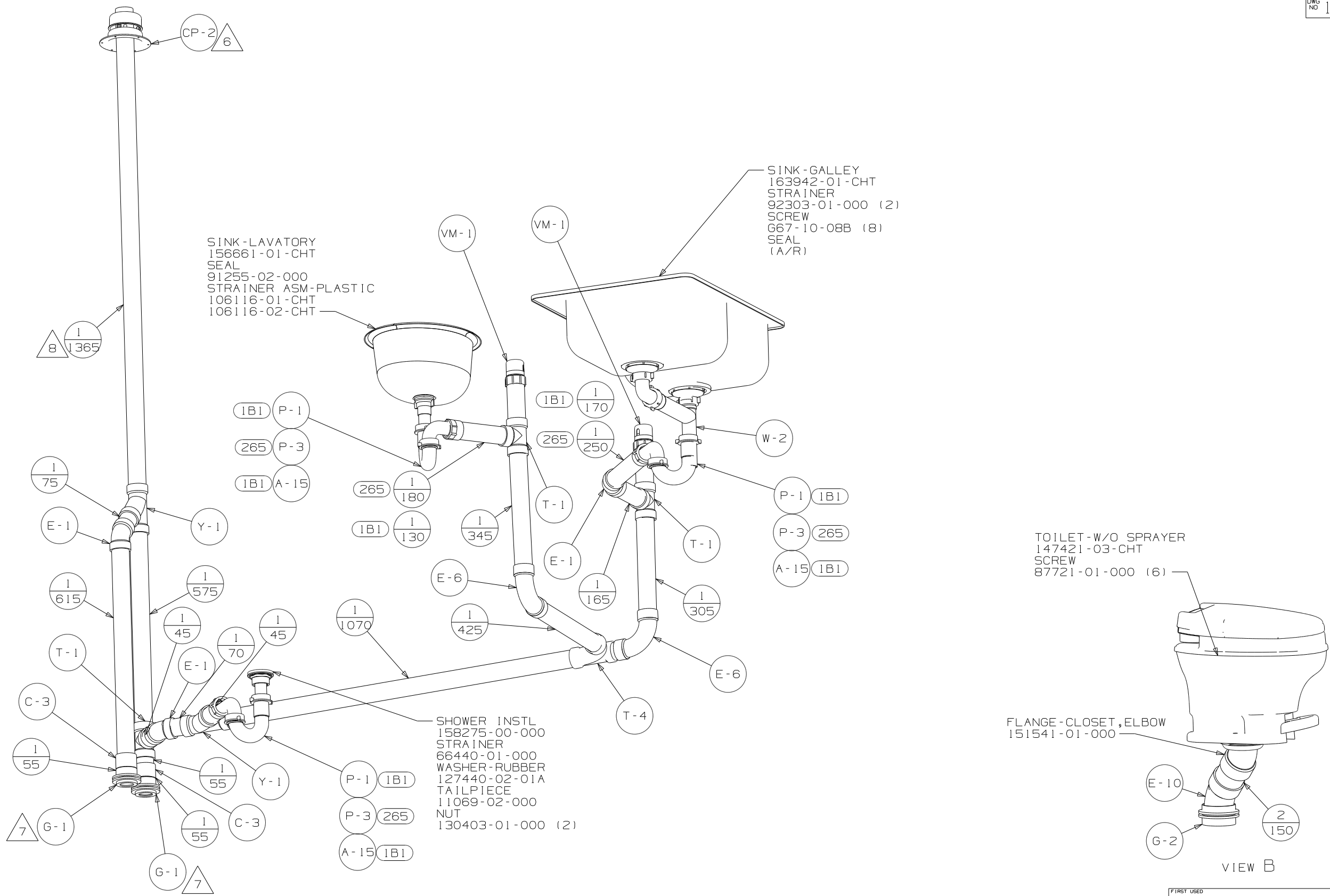
NOTES:

- 1B1 CODES/STANDARDS USA
- 265 CODES/STDS-CSA/CMVSS
- 43F SHOWER SURROUND
- 23T DRAINAGE SYSTEM-HEATED

<b>WINNEBAGO</b>		COPYRIGHT 2008 WINNEBAGO INDUSTRIES, INC.	
DFTR	ORIG. DATE	ALL DIMENSIONS ARE IN MILLIMETERS	
CHKR			
P.E.			
M.E.	FIRST USED	08 331H	
DSNR			
UNSPECIFIED TOLERANCES ARE:		MATERIAL:	
WHOLE DIM (X)	: 7		
ONE-PLACE (X.X)	:		
TWO-PLACE (X.XX)	:		
ANGLE	:		
THIRD ANGLE PROJECTION			
DO NOT SCALE DRAWING			
TITLE: DRAINAGE SYSTEM INSTL			
SHEET 1 OF 3	PART NO	162425	REV
REF:	1 2/28/2008		

FOR  
DRAINAGE  
CALLOUTS  
SEE DWG NO  
116229-01-000





SINK-LAVATORY  
 156661-01-CHT  
 SEAL  
 91255-02-000  
 STRAINER ASM-PLASTIC  
 106116-01-CHT  
 106116-02-CHT

SINK-GALLEY  
 163942-01-CHT  
 STRAINER  
 92303-01-000 (2)  
 SCREW  
 G67-10-08B (8)  
 SEAL  
 (A/R)

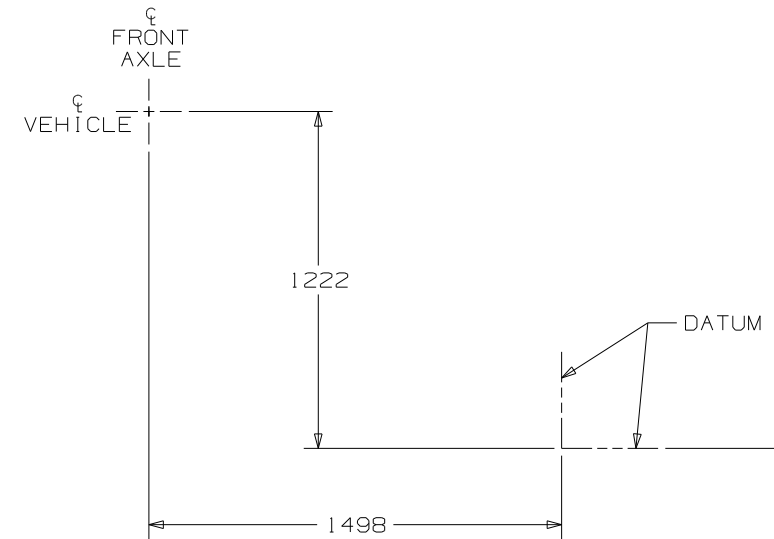
TOILET-W/O SPRAYER  
 147421-03-CHT  
 SCREW  
 87721-01-000 (6)

SHOWER INSTL  
 158275-00-000  
 STRAINER  
 66440-01-000  
 WASHER-RUBBER  
 127440-02-01A  
 TAILPIECE  
 11069-02-000  
 NUT  
 130403-01-000 (2)

VIEW A

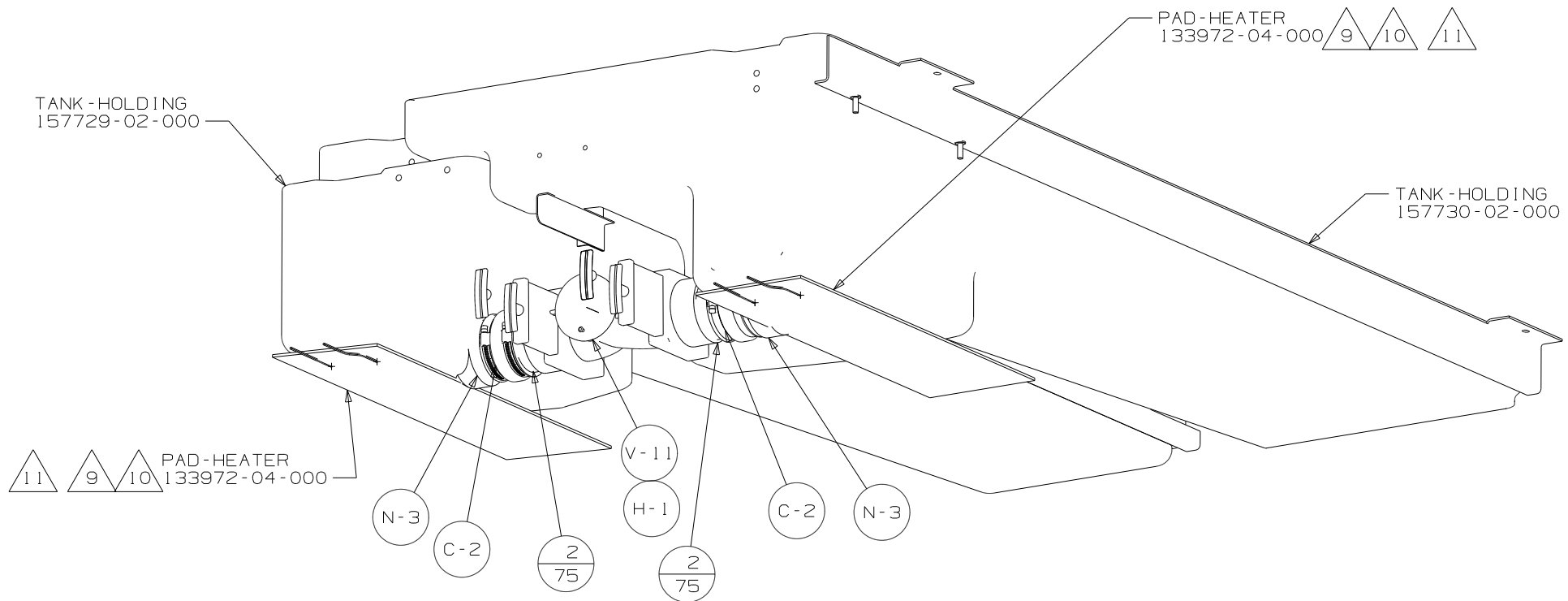
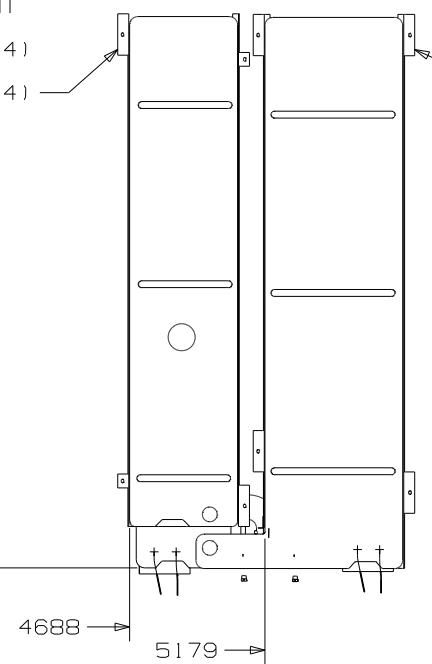
VIEW B

FIRST USED	08 331H		
TITLE	DO NOT SCALE DRAWING		
	DRAINAGE SYSTEM INSTL		
SHEET 2	PART NO	162425	REV



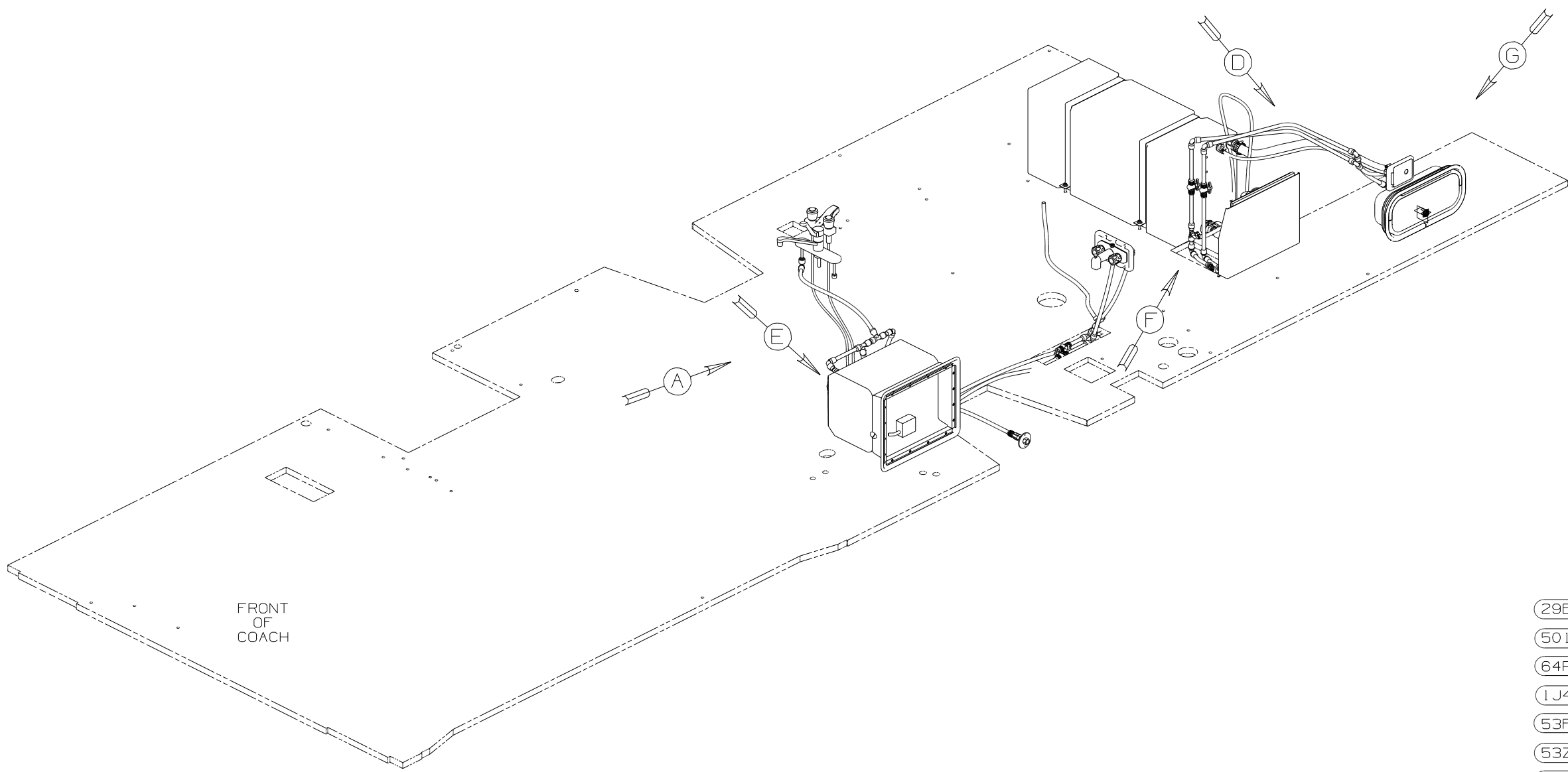
CRADLE ASM  
139596-03-CHT  
BOLT  
C18-05-40A (4)  
NUT  
D13-05-00B (4)

CRADLE ASM  
139597-02-CHT  
BOLT  
C18-05-40A (4)  
NUT  
D13-05-00B (4)



VIEW D

FIRST USED	08 331H	
TITLE	DO NOT SCALE DRAWING	
	DRAINAGE SYSTEM INSTL	
SHEET 3	PART NO 162425	REV



FRONT  
OF  
COACH

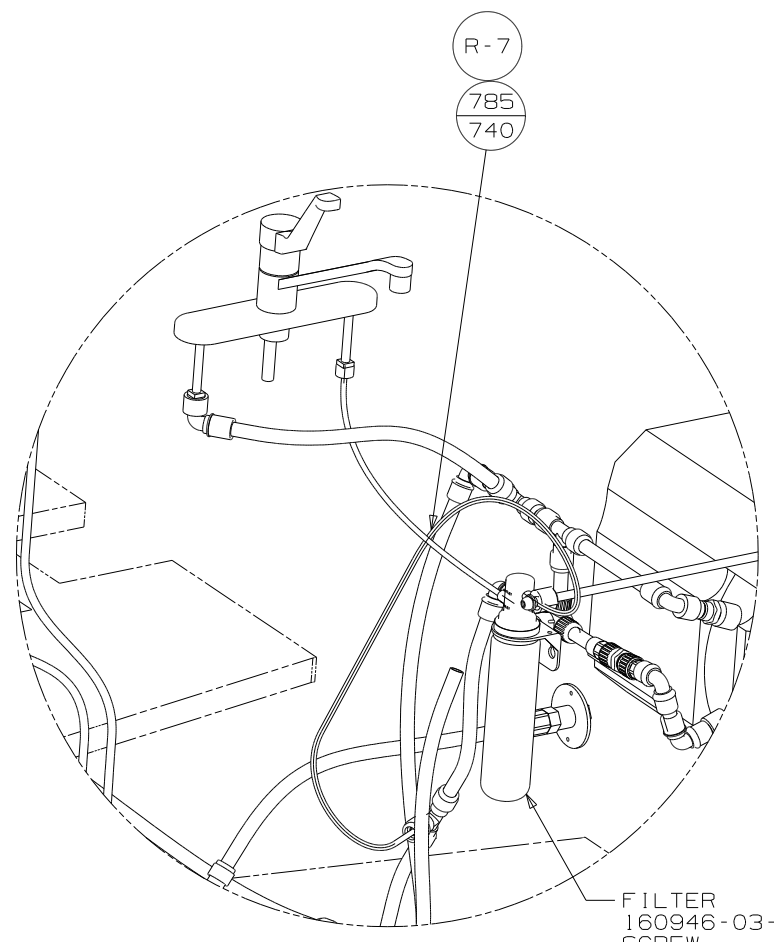
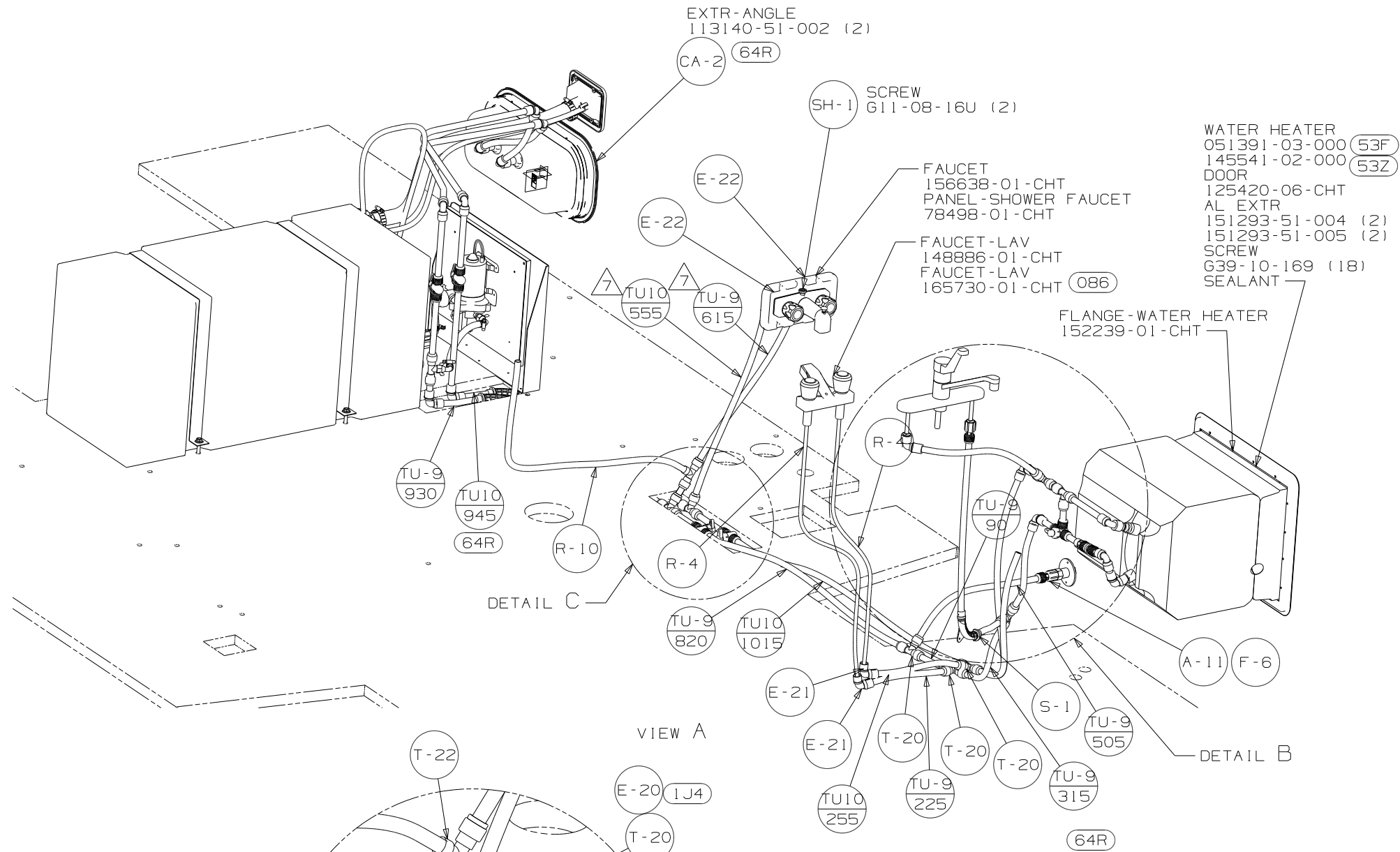
- (29B) WATER PURIFIER
- (501) WATER PURIFIER-W/O
- (64R) EXTERIOR WASH STATION
- (1J4) EXT WASH STATION-WITHOUT
- (53F) WTR HTR-6 GAL ELEC IGN
- (53Z) WTR HTR-6GAL/110/LP/MTR/AUTO
- (086) INTERIOR UPGRADE PACKAGE

- 7 ADD PIPE WRAP (LADDER SCRAP) INSULATION HERE;  
OR CARPET PAD (SCRAP) 075233-06-000.
  - 6 ANTI-RATTLE CLAMP 10495-01-000, SCREW G67-10-12B.
  - 5 ADD TEFLON TAPE 10405-01-000 TO FITTING.
  - 4 ADD TEFLON TAPE 10405-02-000 TO FITTING.
3. ALL TUBING TO BE SECURED AT 1200 INTERVALS MAXIMUM WITH CLAMP 10495-01-000 AND SCREW G67-10-12B OR EQUIVALENT.
  2. TUBING TO BE INSTALLED WITH SUFFICIENT SLOPE TO PROVIDE DRAINAGE TO NEAREST VALVE.
  1. PLASTIC FITTINGS TO BE SEALED WITH SEALANT 94456-01-000.

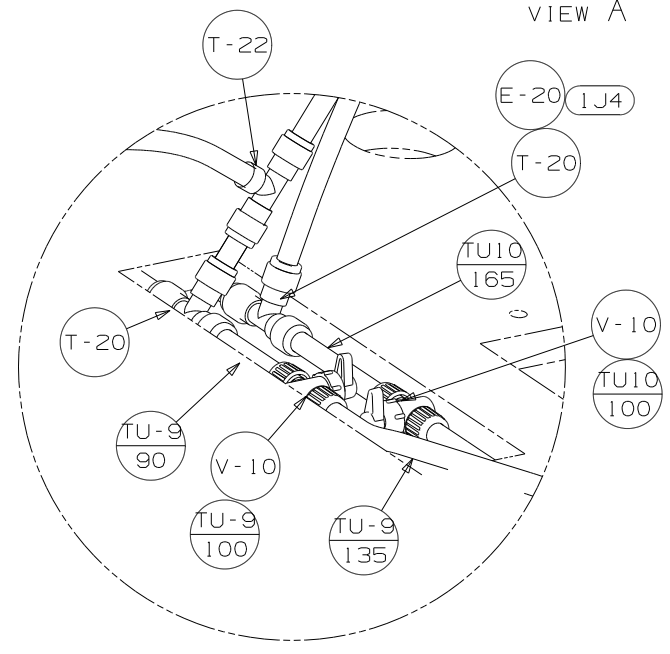
NOTES:

(X-X)  
FOR  
WATER  
CALLOUTS  
SEE DWG NO  
116230-01-000

<b>WINNEBAGO</b>		COPYRIGHT 2008 WINNEBAGO INDUSTRIES, INC.	
DFT	ORIG. DATE	ALL DIMENSIONS ARE IN MILLIMETERS	
CHKR		FIRST USED	
P.E.		08 331H	
M.E.		UNSPECIFIED TOLERANCES ARE:	
DSNR		MATERIAL:	
		WHOLE DIM (X)	: 3
		ONE-PLACE (X.X)	:
		TWO-PLACE (X.XX)	:
		ANGLE	:
THIRD ANGLE PROJECTION		DO NOT SCALE DRAWING	
TITLE: WATER SYSTEM INSTL			
SHEET 1 OF 4	PART NO	162431	REV
REF:	1 2/11/2008		



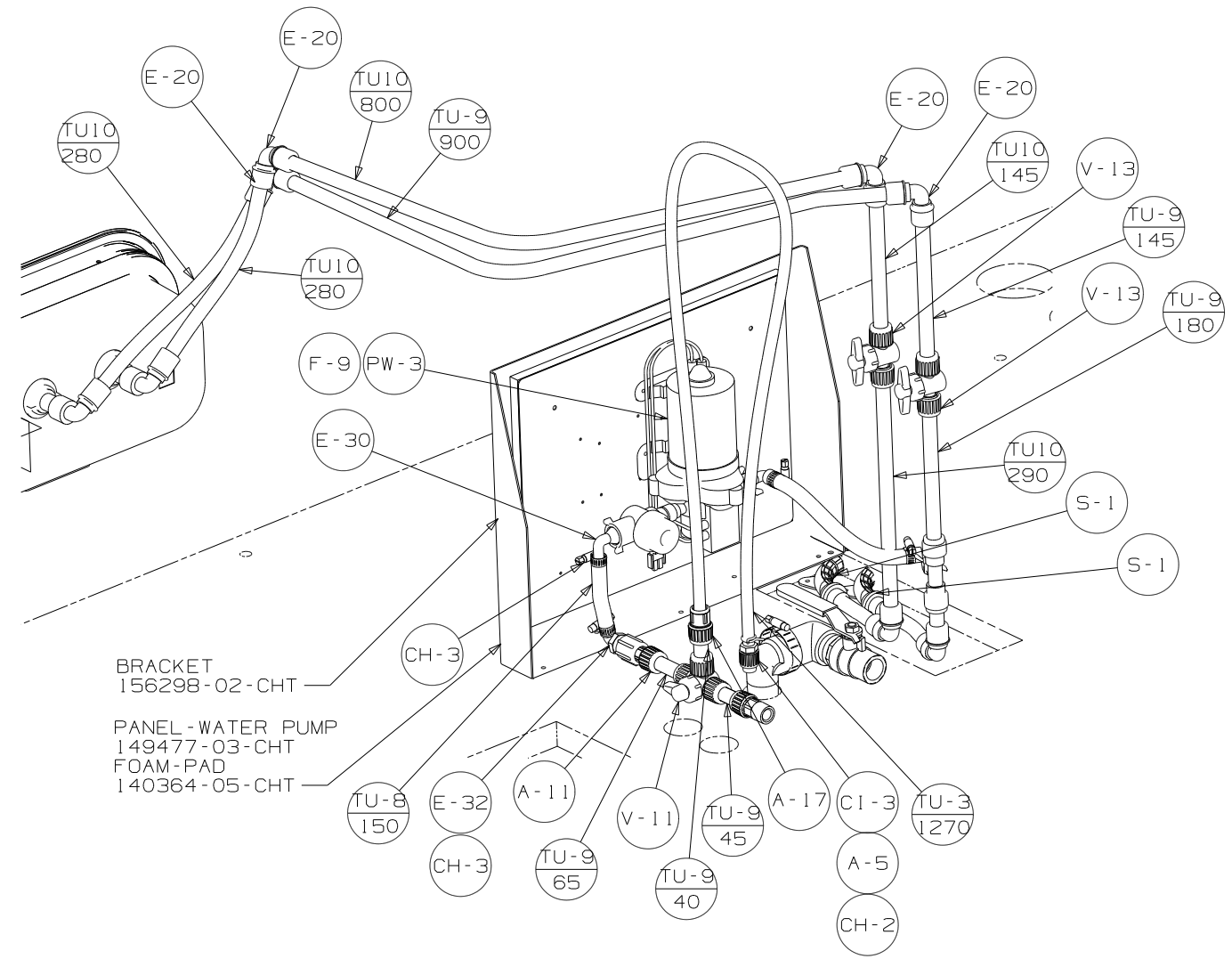
DETAIL B  
(29B)



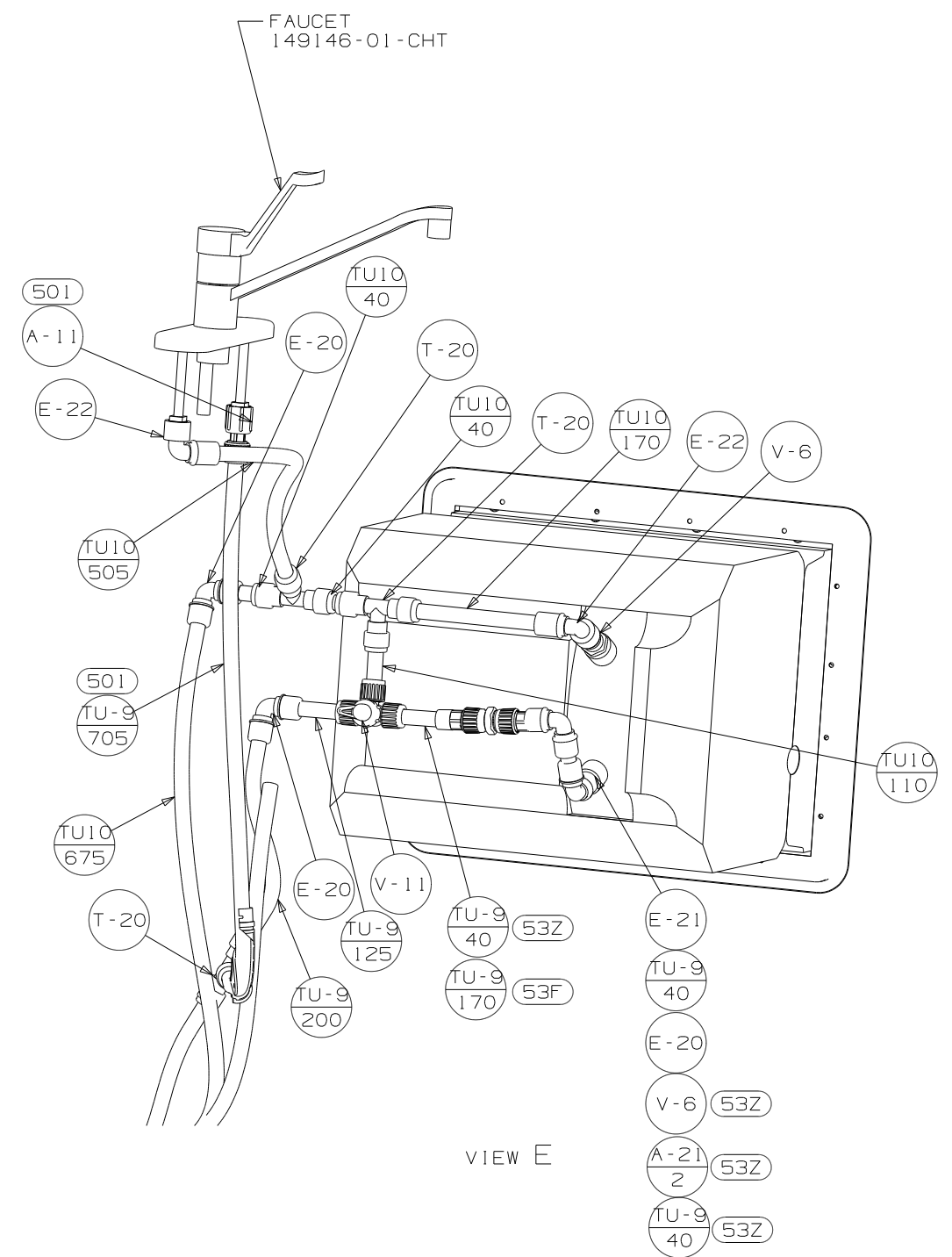
DETAIL C  
(64R)

VIEW A

FIRST USED	08 331H	
TITLE	DO NOT SCALE DRAWING	
TITLE	WATER SYSTEM INSTL	
SHEET 2	PART NO	REV
	162431	



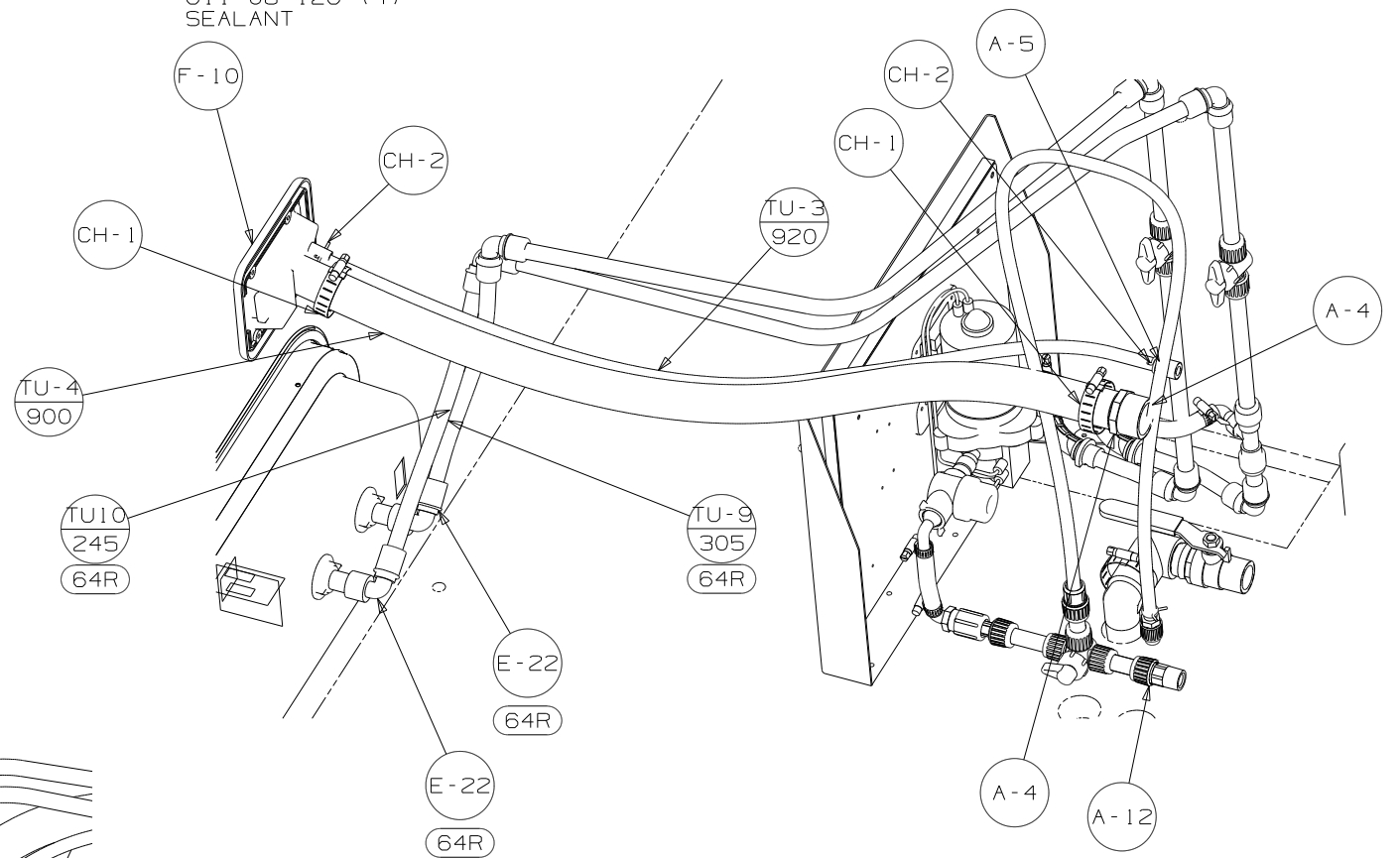
VIEW D



VIEW E

FIRST USED	08 331H		
TITLE:	DO NOT SCALE DRAWING		
TITLE:	WATER SYSTEM INSTL		
SHEET 3	PART NO	162431	REV

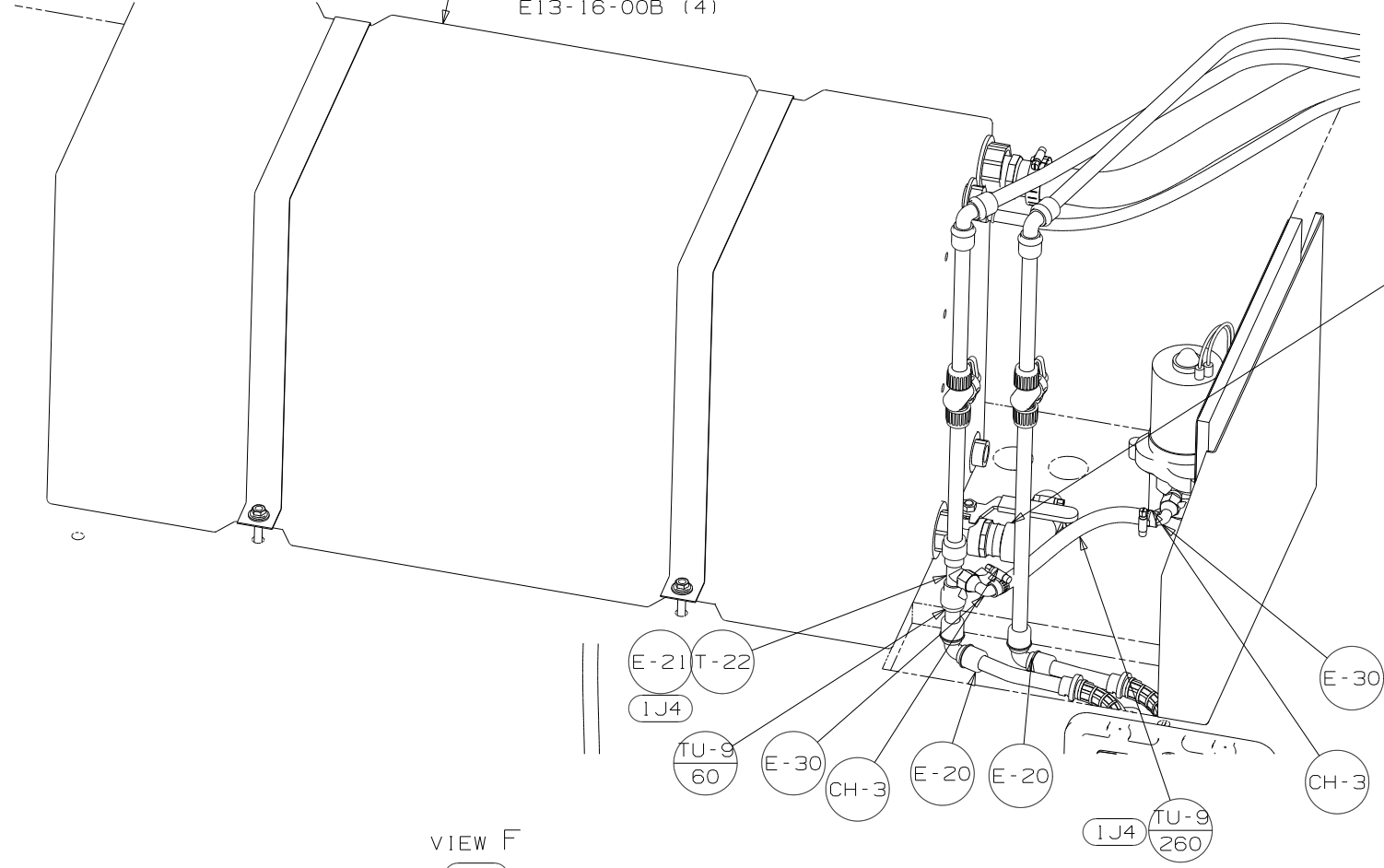
SCREW  
G11-08-12U (4)  
SEALANT



VIEW G

TANK ASM-WATER,31 GAL  
156167-02-000  
STRAP-TANK,WATER  
118994-10-CHT (2)  
BOLT  
C18-05-40A (4)  
NUT  
D39-05-00B (4)  
WASHER  
E13-16-00B (4)

ELBOW  
132484-01-000  
132782-01-000  
VALVE  
132483-01-000  
TUBE  
74462-01-000  
(100)



VIEW F  
IJ4

FIRST USED	08 331H	
TITLE	DO NOT SCALE DRAWING	
TITLE	WATER SYSTEM INSTL	
SHEET 4	PART NO	REV
	162431	