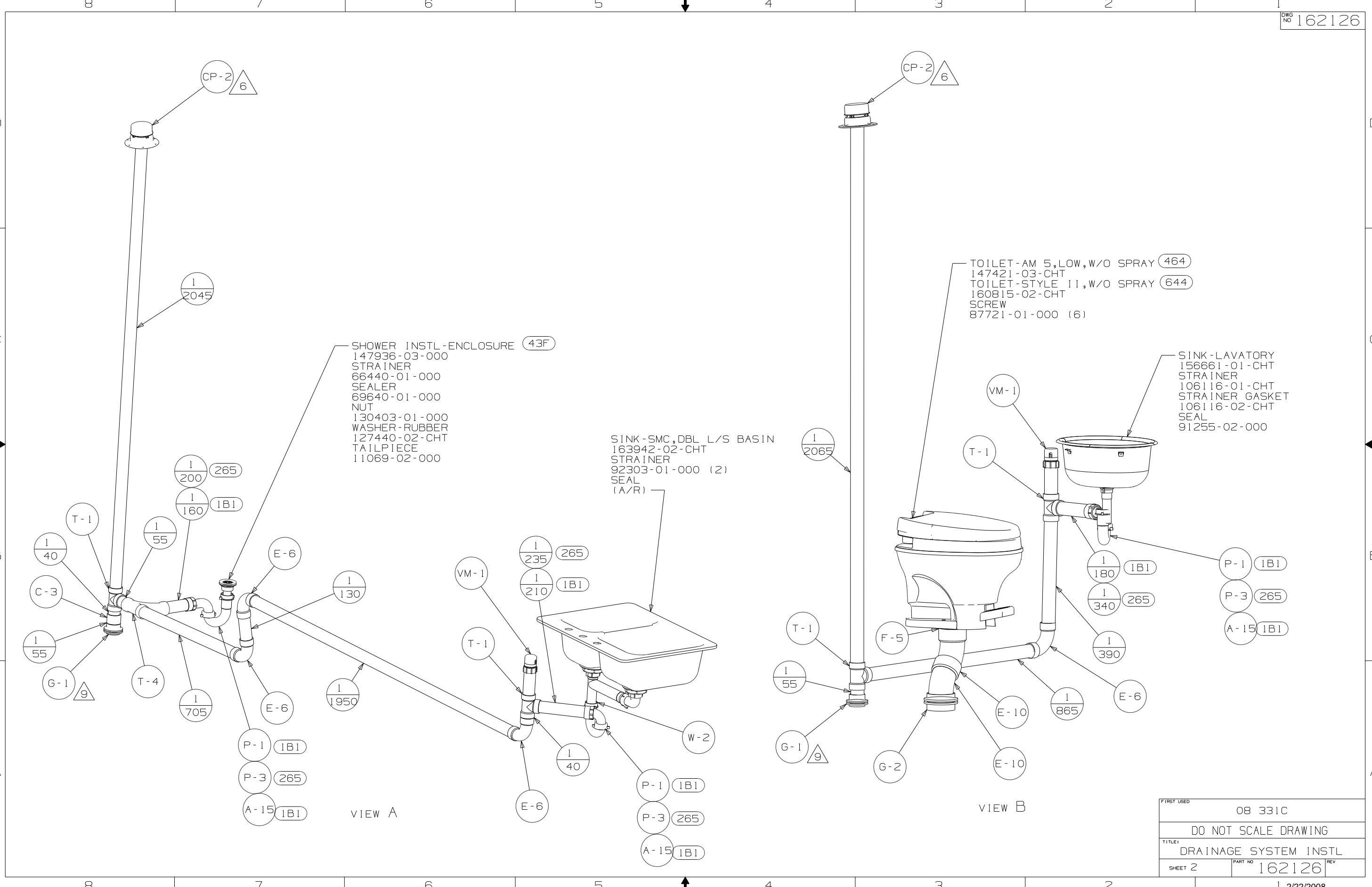


- (1B1) CODES/STANDARDS USA
- (265) CODES/STDS-CSA/CMVSS
- (43F) SHOWER SURROUND
- (464) TOILET
- (23T) DRAINAGE SYSTEM-HEATED
- (644) GREAT ALASKAN RENTAL PACKAGE

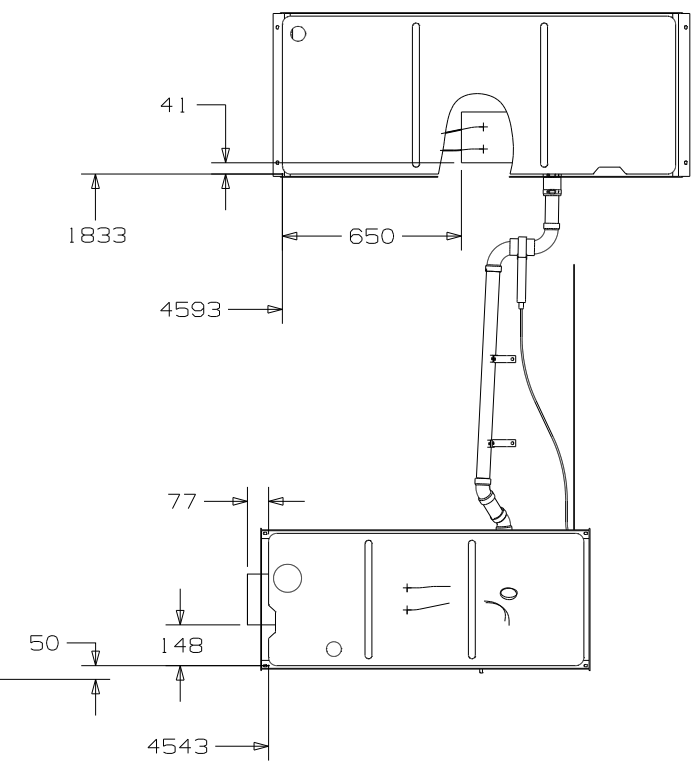
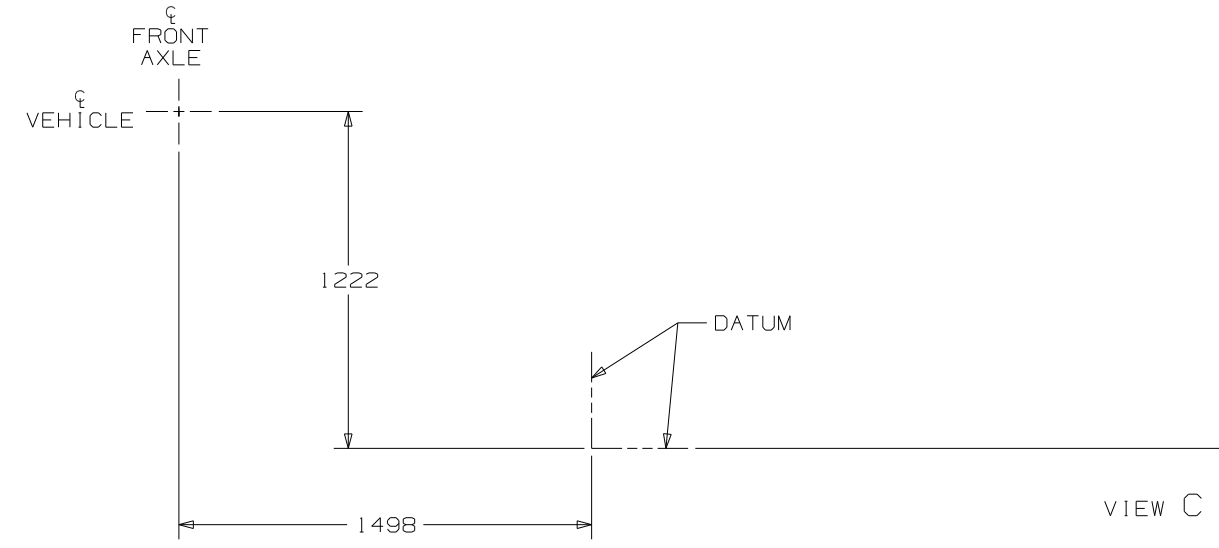
1. INSTALL PER MANUFACTURER'S LABEL.  
 10. SECURE PIPES TO CABINET USING WIRE TIE 108046-02-000 AND SCREW G67-10-12B.  
 9. SECURE VENT TUBES TO FLOOR WITH CLAMP 62401-02-000 (2) SCREW G67-10-12B (2) AND BRACKET 136878-01-CHT (2).  
 8. WRAP PAD AROUND ON THE SIDES OF THE TANK.  
 7. SEE WIRING INSTL-BODY, 12V FOR ELECTRICAL CONNECTION.  
 6. VENT PIPE MUST PROJECT 51 MIN AND 64 MAX ABOVE ROOF FOR PROPER FIT AND FUNCTION. ADD S-1 (116666-01-CHT SEAL-VENT PIPE) AROUND PIPE ON ROOF BEFORE VENT CAP IS INSTALLED.  
 5. SEAL AROUND SHOWER WITH SILICONE.  
 4. ALL EXTERIOR OPENINGS AROUND PIPE TO BE SEALED WITH 131264-03.  
 3. ALL PIPE AND FITTINGS TO BE ASSEMBLED WITH SOLVENT 4020-01-000.  
 2. SLOPE OF TRAP ARM MUST BE 6 PER 305 mm.  
 1. SLOPE OF HORIZONTAL PIPING TO BE MIN 3 PER 305 mm.

		COPYRIGHT 2008 WINNEBAGO INDUSTRIES, INC.
DFT	ORIG. DATE	
CHKR	ALL DIMENSIONS ARE IN MILLIMETERS	
P.E.	FIRST USED	
M.E.	08 331C	
DSNR		
UNSPECIFIED TOLERANCES ARE:	MATERIAL:	
WHOLE DIM (X)	:	7
ONE-PLACE (X.X)	:	
TWO-PLACE (X.XX)	:	
ANGLE	:	
THIRD ANGLE PROJECTION		
DO NOT SCALE DRAWING		
TITLE: DRAINAGE SYSTEM INSTL		
SHEET 1 OF 3	PART NO	REV
	162126	

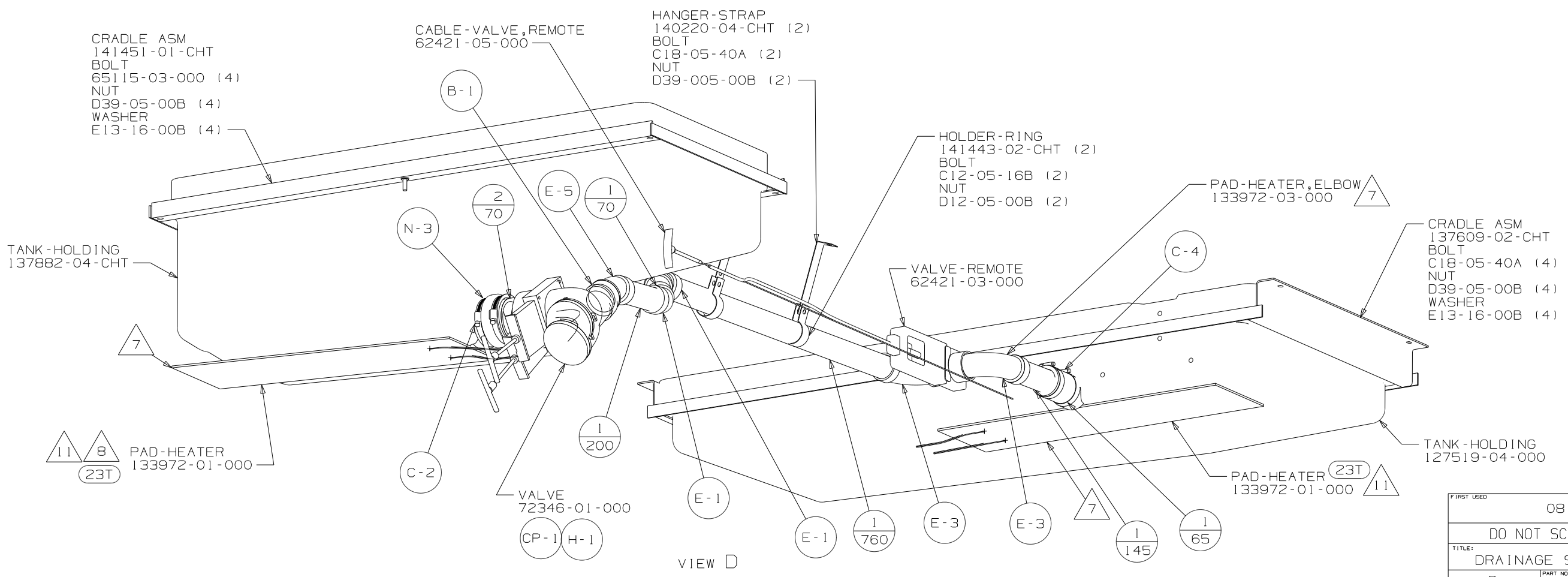
FOR  
 DRAINAGE  
 CALLOUTS  
 SEE DWG NO  
 116229-01-000



FIRST USED	08 331C	
TITLE:	DO NOT SCALE DRAWING	
	DRAINAGE SYSTEM INSTL	
SHEET 2	PART NO	REV
	162126	

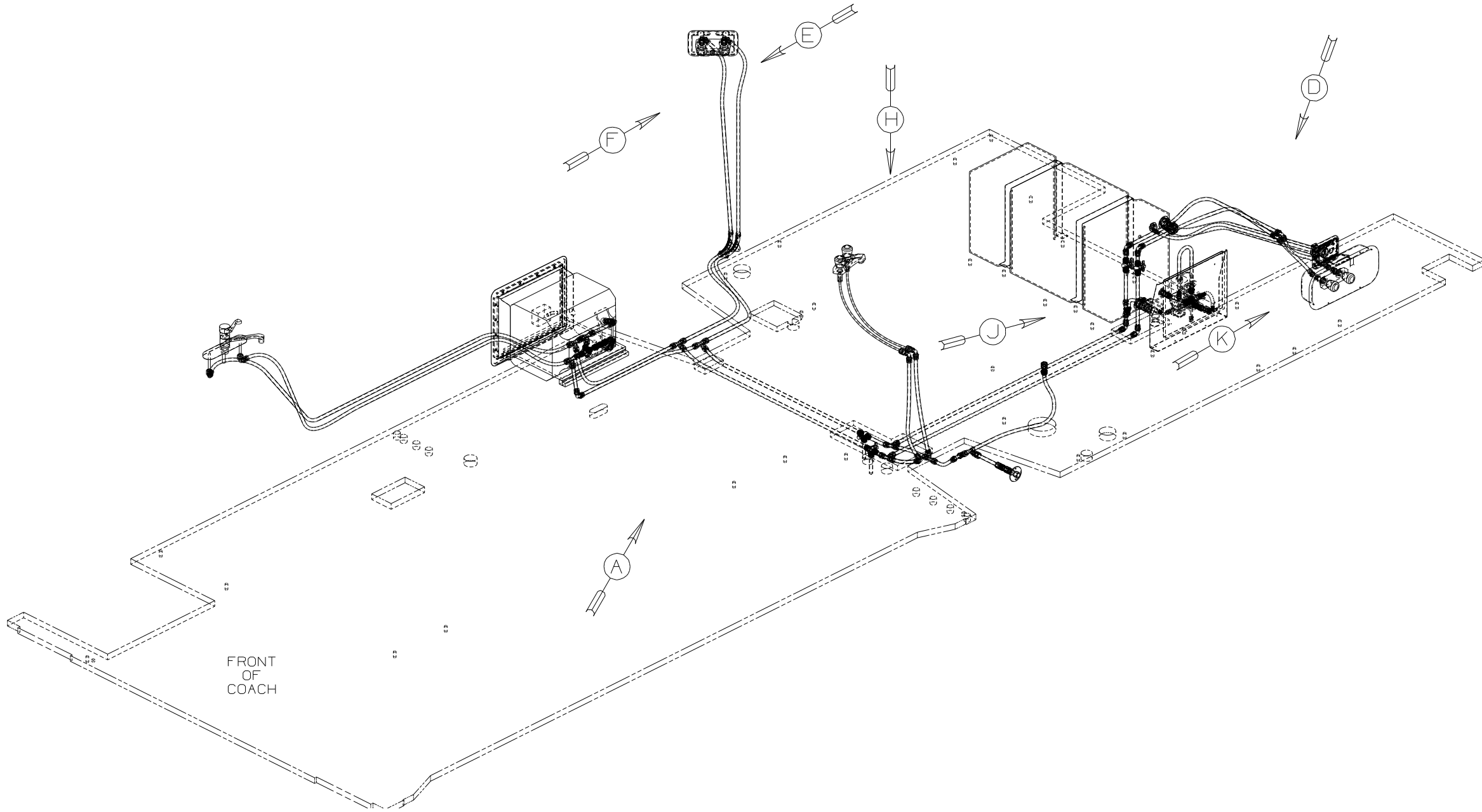


VIEW C



VIEW D

FIRST USED	08 331C	
TITLE	DO NOT SCALE DRAWING	
	DRAINAGE SYSTEM INSTL	
SHEET 3	PART NO 162126	REV



FRONT OF COACH

- (29B) WATER PURIFIER
- (501) WATER PURIFIER-W/O
- (64R) EXTERIOR WASH STATION
- (1J4) EXT WASH STATION-WITHOUT
- (53P) WINTERIZING VALVE, MANUAL
- (53J) WATER HEATER BY-PASS-VALVE
- (53F) WTR HTR-6 GAL ELEC IGN

- 8 INSTALL BYPASS PLUG FOR SYSTEM TESTING AND SHIPPING.
  - 7 ADD PIPE WRAP (LADDER SCRAP) INSULATION HERE;OR CARPET PAD (SCRAP) 075233-06-000.
  - 6 ANTI-RATTLE CLAMP 10495-01-000, SCREW G67-10-12B.
  - 5 ADD TEFLON TAPE 10405-01-000 TO FITTING.
  - 4 ADD TEFLON TAPE 10405-02-000 TO FITTING.
3. ALL TUBING TO BE SECURED AT 1200 INTERVALS MAXIMUM WITH CLAMP 10495-01-000 OR CLIP 9151-01-000 AND SCRWE G67-10-12B.
  2. TUBING TO BE INSTALLED WITH SUFFICIENT SLOPE TO PROVIDE DRAINAGE TO NEAREST VALVE.
  1. PLASTIC FITTINGS TO BE SEALED WITH SEALANT 94456-01-000.

NOTES:

(X-X)  
FOR WATER CALLOUTS SEE DWG NO 116230-01-000

<b>WINNEBAGO</b>		COPYRIGHT 2008 WINNEBAGO INDUSTRIES, INC.	
D/FR	ORIG. DATE	ALL DIMENSIONS ARE IN MILLIMETERS	
CHKR		FIRST USED	
P.E.		08 331C	
M.E.		UNSPECIFIED TOLERANCES ARE:	
DSNR		MATERIAL:	
		WHOLE DIM (X)	: 3
		ONE-PLACE (X.X)	:
		TWO-PLACE (X.XX)	:
		ANGLE	:
THIRD ANGLE PROJECTION		DO NOT SCALE DRAWING	
TITLE: WATER SYSTEM INSTL			
SHEET 1 OF 4	PART NO	162132	REV
REF:	1 2/11/2008		

- (53F) WATER HEATER  
51391-03-000
- (53Z) FLANGE-WATER HEATER  
145541-02-000
- 152239-01-CHT
- DOOR
- 125420-06-CHT
- AL EXTR
- 151293-51-004 (2)
- 151293-51-005 (2)
- SCREW
- 639-10-169 (18)
- SEALANT
- 69640-14-000
- 112864-01-000
- PLATFORM
- 136366-01-000
- CABLE
- 76767-03-000
- SCREW
- G11-06-08B (2)

- FAUCET-SHOWER  
79563-03-CHT
- PANEL  
78498-01-CHT
- SCREW  
G11-08-12U (4)
- COVER  
78500-01-CHT (4)

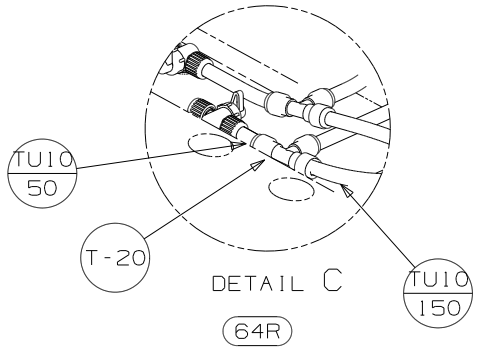
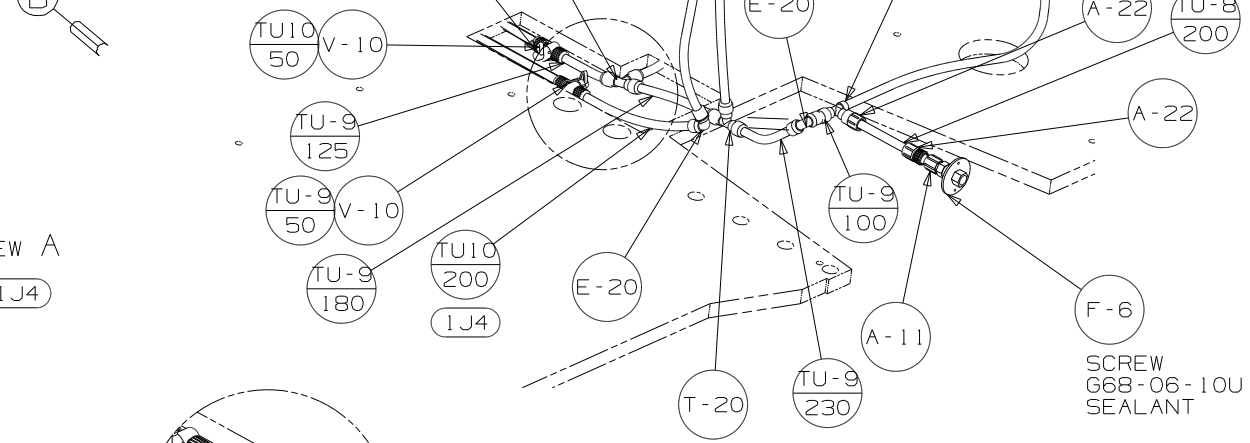
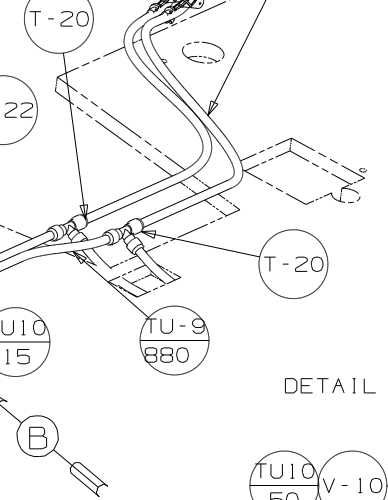
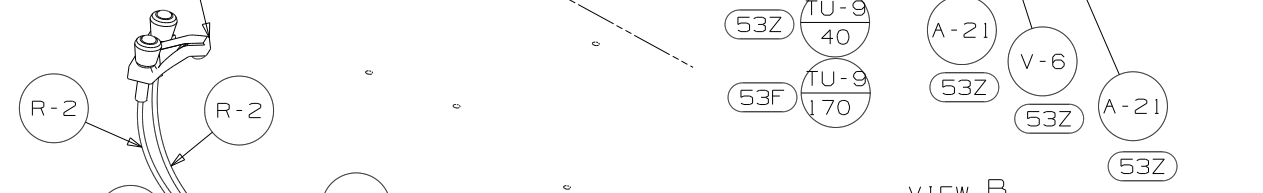
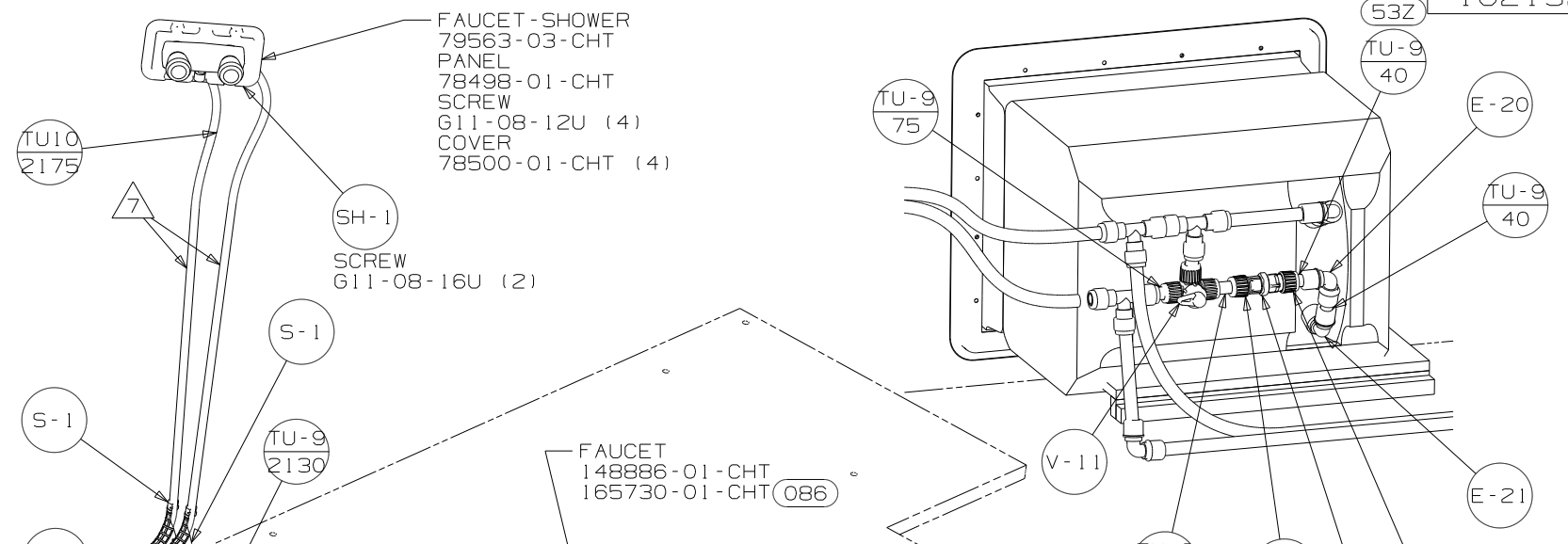
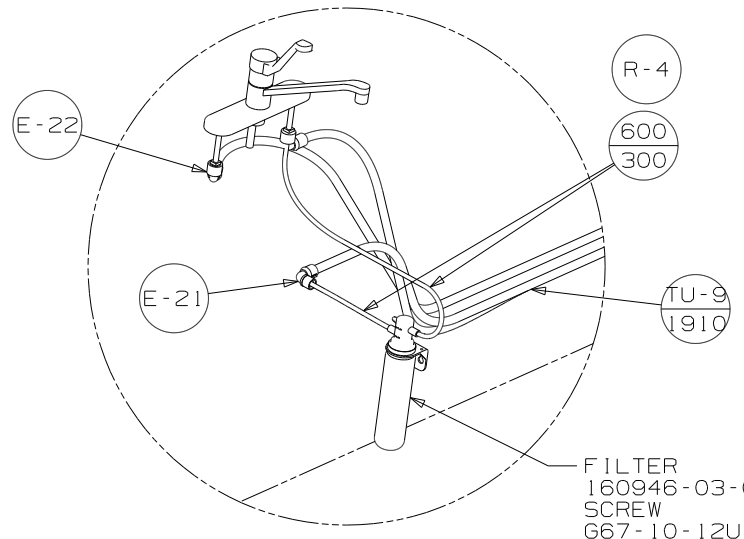
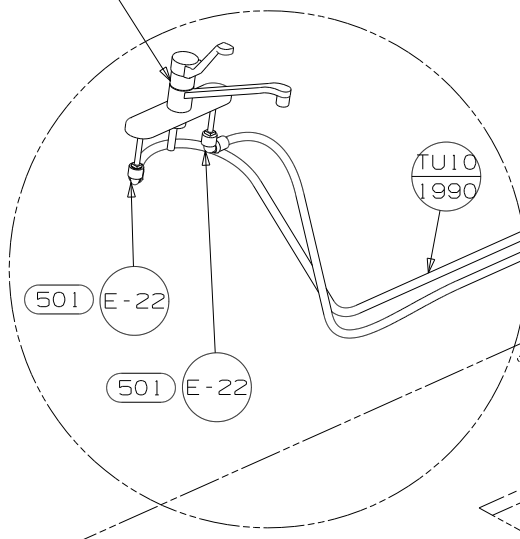
- FAUCET  
148886-01-CHT
- 165730-01-CHT (086)

- (53Z) TU-9 40
- (53F) TU-9 170

- (53Z) TU-9 40
- (53Z) TU-9 170

- SCREW  
G68-06-10U (2)
- SEALANT

- FAUCET-GALLEY, SGL CONTROL  
149164-01-CHT



VIEW B

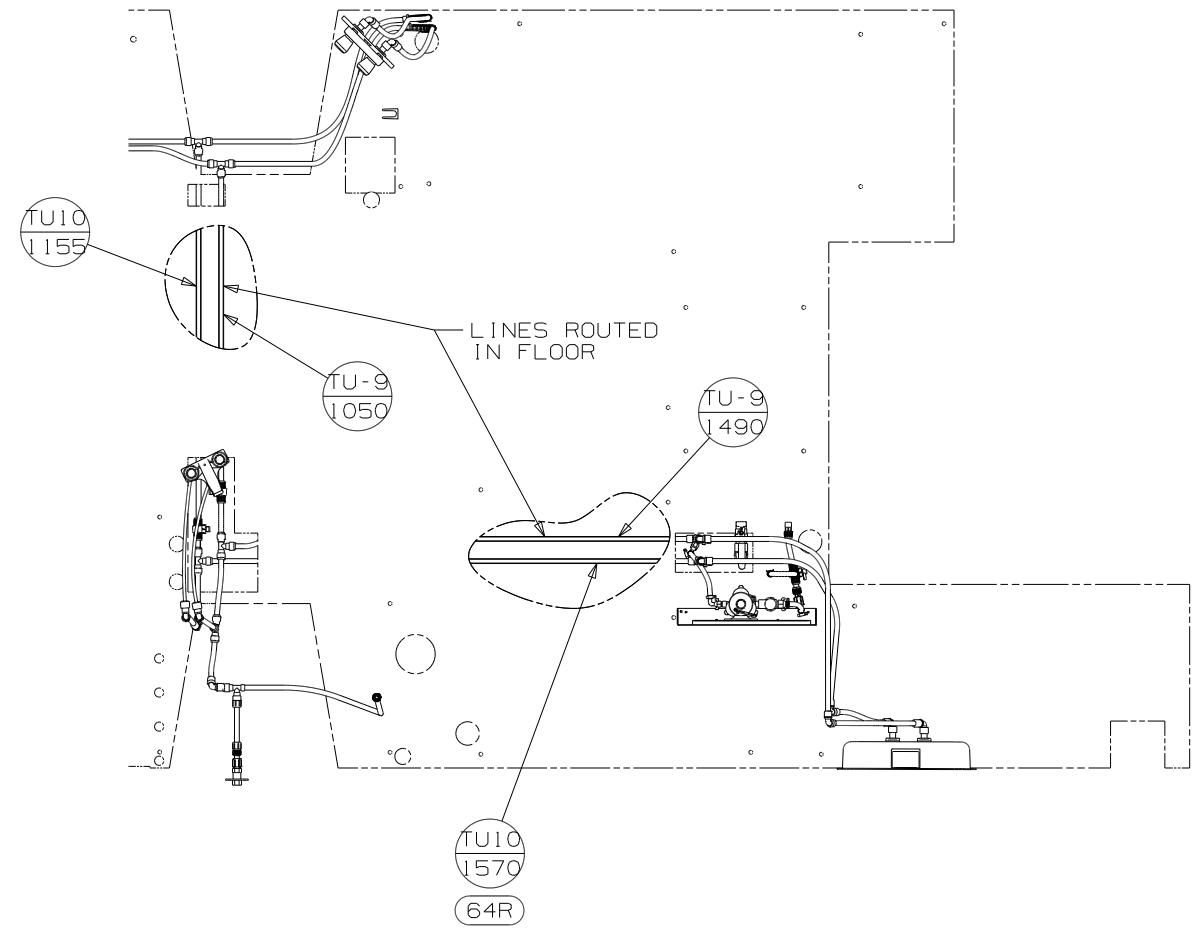
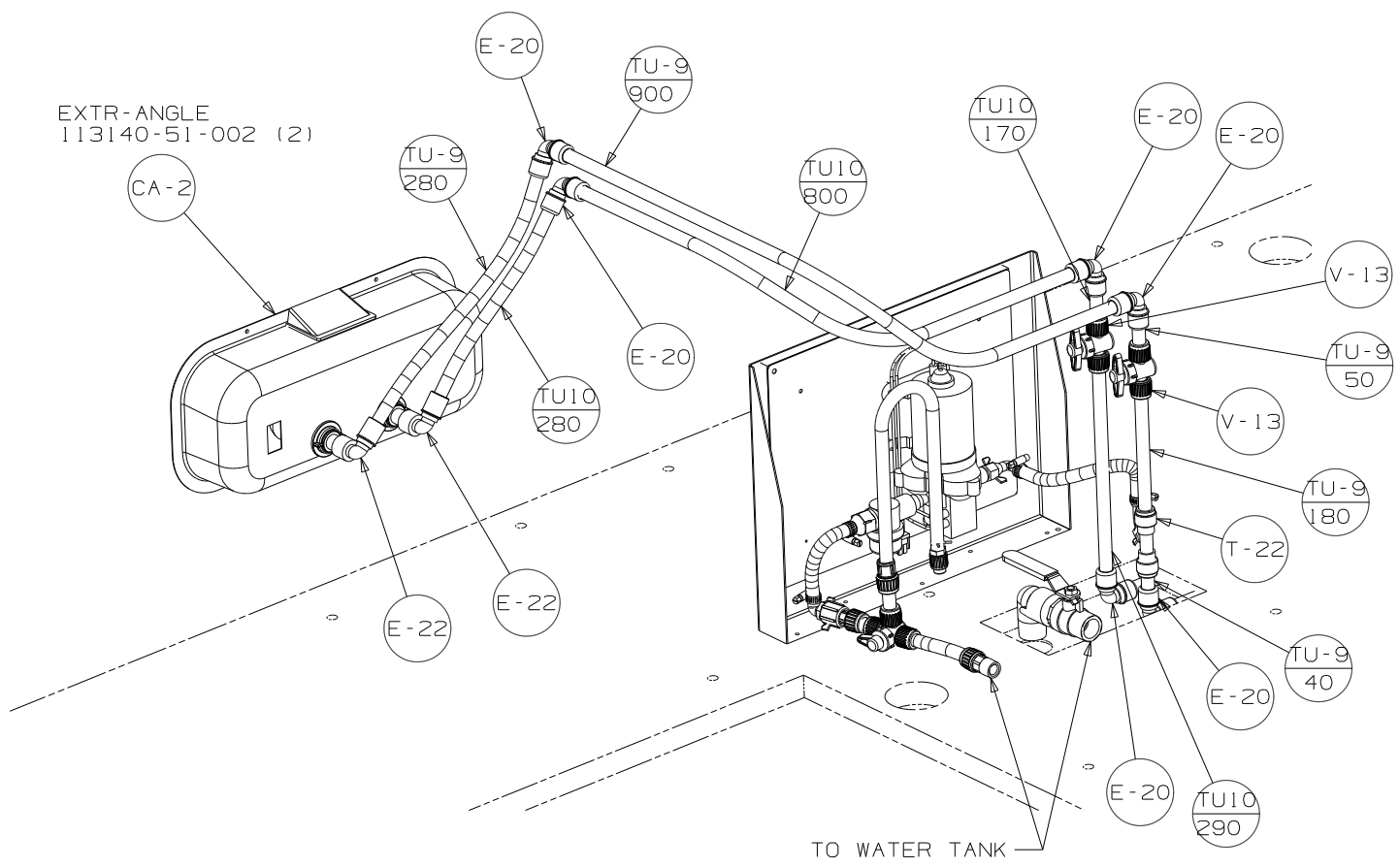
VIEW A  
1J4

VIEW A  
29B

DETAIL C  
64R

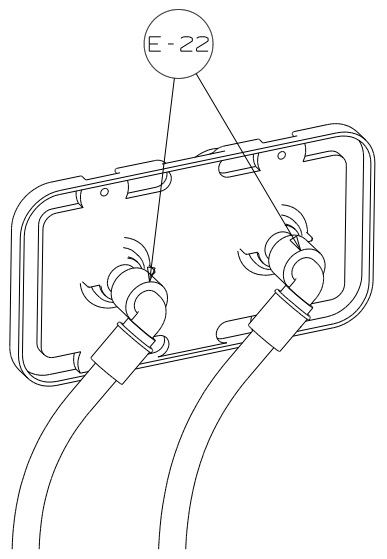
FIRST USED	08 331C
DO NOT SCALE DRAWING	
TITLE:	WATER SYSTEM INSTL
SHEET 2	PART NO 162132 REV

EXTR-ANGLE  
113140-51-002 (2)

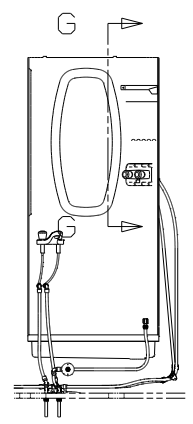


VIEW D  
(64R)

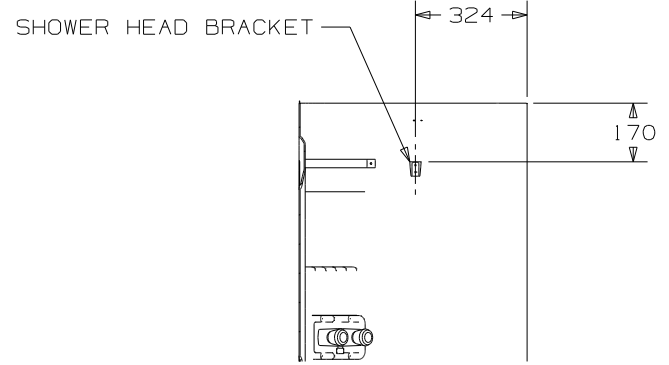
VIEW H



VIEW E



VIEW F



SECTION G-G

FIRST USED	08 331C
TITLE:	DO NOT SCALE DRAWING
	WATER SYSTEM INSTL
SHEET 3	PART NO 162132 REV

SCREW  
G11-08-12U (4)  
SEALANT

PANEL-WATER PUMP  
149477-03-CHT  
FOAM-PAD  
140364-05-CHT  
SCREW  
G39-10-16T (4)

TANK ASM-WATER, 31 GAL  
156167-02-000  
STRAP-TANK, WATER  
118994-10-CHT (2)  
BOLT  
C18-05-40A (4)  
NUT  
D39-05-00B (4)  
WASHER  
E13-16-00B (4)

VALVE  
132483-01-000  
ELBOW  
132484-01-000  
TUBE  
74462-01-000  
(100)

BRACKET-MOUNTING, WATER PUMP  
156298-02-CHT

VIEW K  
TANK NOT SHOWN

VIEW J  
(1J4)

FIRST USED	08 331C		
TITLE	DO NOT SCALE DRAWING		
TITLE	WATER SYSTEM INSTL		
SHEET 4	PART NO	162132	REV

