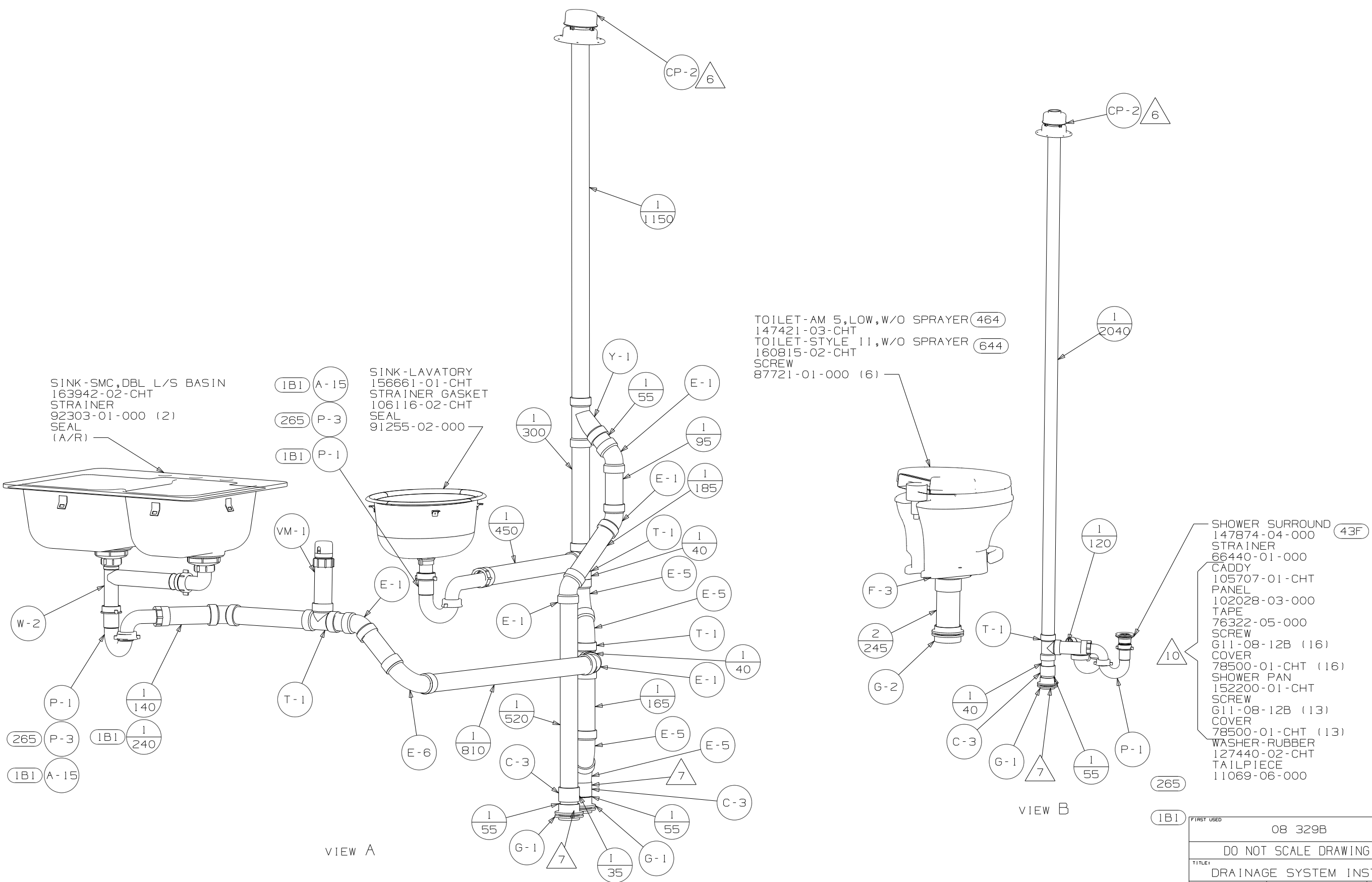


- NOTES:
1. SLOPE OF HORIZONTAL PIPING TO BE MIN 6 PER 305 mm.
 2. SLOPE OF TRAP ARM MUST BE 6 PER 305mm.
 3. ALL PIPE AND FITTINGS TO BE ASSEMBLED WITH SOLVENT 4020-01-000 (US), 4020-02-000 (CAN).
 4. ALL EXTERIOR OPENINGS AROUND PIPE TO BE SEALED WITH 110744-01-000.
 5. SEAL AROUND SHOWER WITH SILICONE.
 6. VENT PIPE MUST PROJECT 51 MIN AND 64 MAX ABOVE ROOF FOR PROPER FIT AND FUNCTION.
 7. SECURE VENT TO FLOOR WITH BRACKET 136878-01-CHTCLAMP 62401-02-000, SCREW G67-10-12B. ADD S-1 (116666-01-CHT SEAL-VENT PIPE) AROUND PIPE ON ROOF BEFORE VENT CAP IS INSTALLED.
 8. SECURE PIPES TO CABINET USING WIRE TIE 108046-02-000 AND SCREW G67-10-12B.
 9. SEE WIRING INSTL-BODY, 12V FOR ELECTRICAL CONNECTION.
 10. NOT TO BE USED WITH 43F.
 11. INSTALL PER MANUFACTURER'S CABLE.

- 464 TOILET
- 644 GREAT ASLASKAN RENTAL PKGE
- 1B1 CODES/STANDARDS-USA
- 265 CODES/STANDARDS-CSA,CMVSS
- 43F SHOWER SURROUND

FOR DRAINAGE CALLOUTS SEE DWG NO 116229-01-000

WINNEBAGO		COPYRIGHT 2008 WINNEBAGO INDUSTRIES, INC.	
DFT	ORIG. DATE	ALL DIMENSIONS ARE IN MILLIMETERS	
CHKR		FIRST USED	
P.E.		08 329B	
M.E.		UNSPECIFIED TOLERANCES ARE:	
DSNR		MATERIAL:	
		WHOLE DIM (X) :	3
		ONE-PLACE (X.X) :	
		TWO-PLACE (X.XX) :	
		ANGLE :	
		THIRD ANGLE PROJECTION	
DO NOT SCALE DRAWING			
TITLE: DRAINAGE SYSTEM INSTL			
SHEET 1 OF 3	PART NO	163227	REV



SINK-SMC, DBL L/S BASIN
163942-02-CHT
STRAINER
92303-01-000 (2)
SEAL
(A/R)

SINK-LAVATORY
156661-01-CHT
STRAINER GASKET
106116-02-CHT
SEAL
91255-02-000

TOILET-AM 5, LOW, W/O SPRAYER (464)
147421-03-CHT
TOILET-STYLE 11, W/O SPRAYER (644)
160815-02-CHT
SCREW
87721-01-000 (6)

SHOWER SURROUND (43F)
147874-04-000
STRAINER
66440-01-000
CADDY
105707-01-CHT
PANEL
102028-03-000
TAPE
76322-05-000
SCREW
G11-08-12B (16)
COVER
78500-01-CHT (16)
SHOWER PAN
152200-01-CHT
SCREW
G11-08-12B (13)
COVER
78500-01-CHT (13)
WASHER-RUBBER
127440-02-CHT
TAILPIECE
11069-06-000

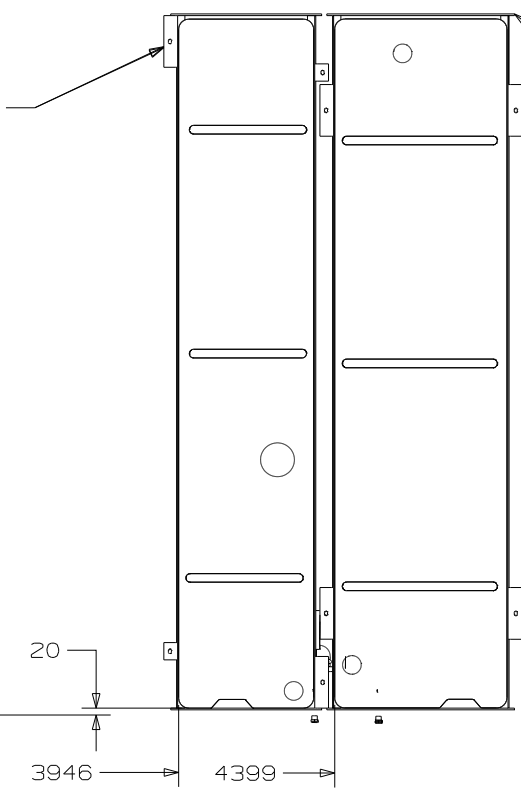
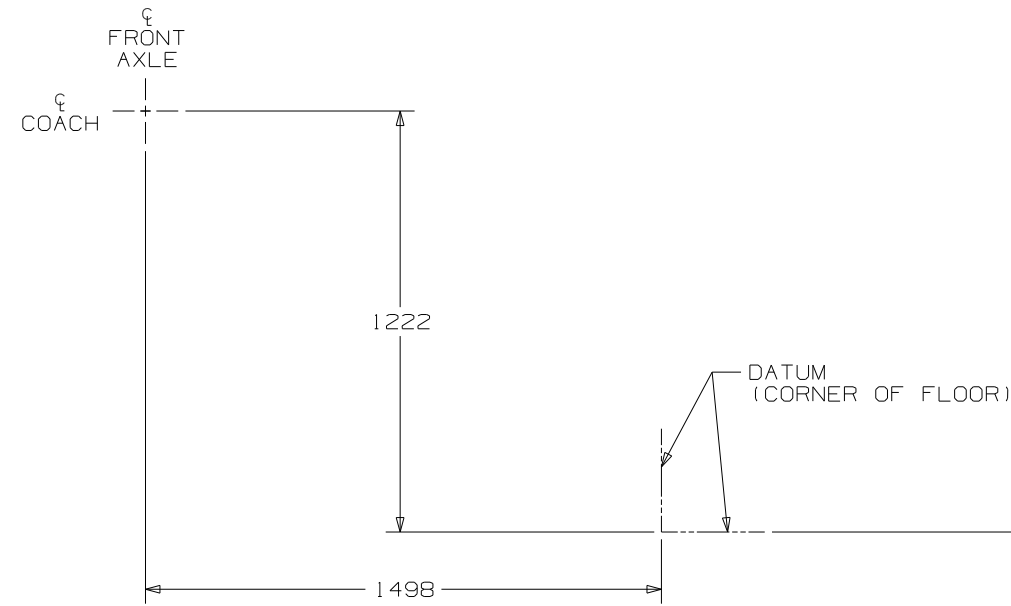
VIEW A

VIEW B

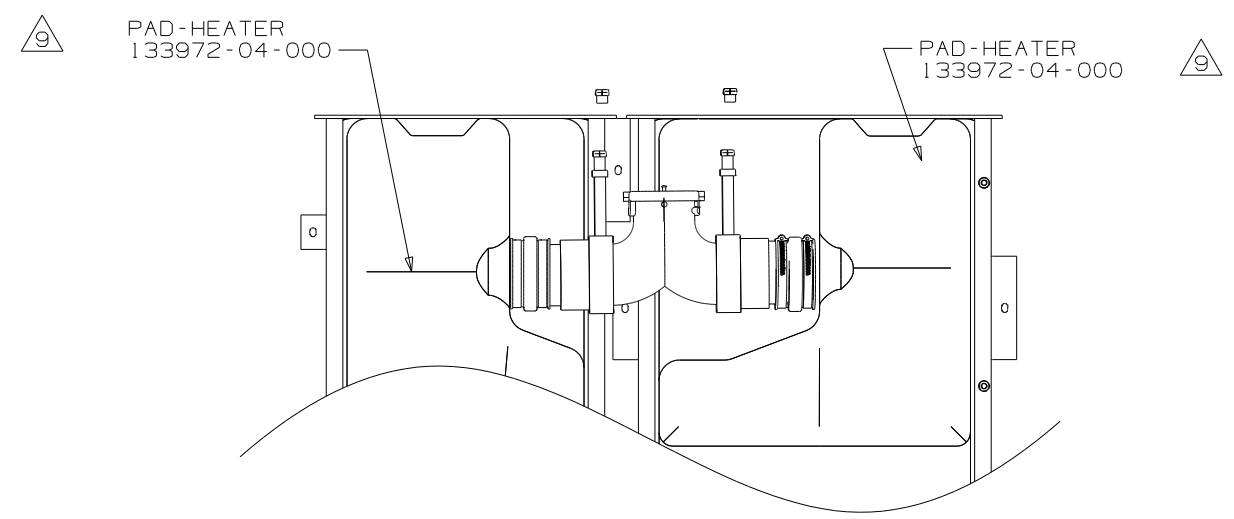
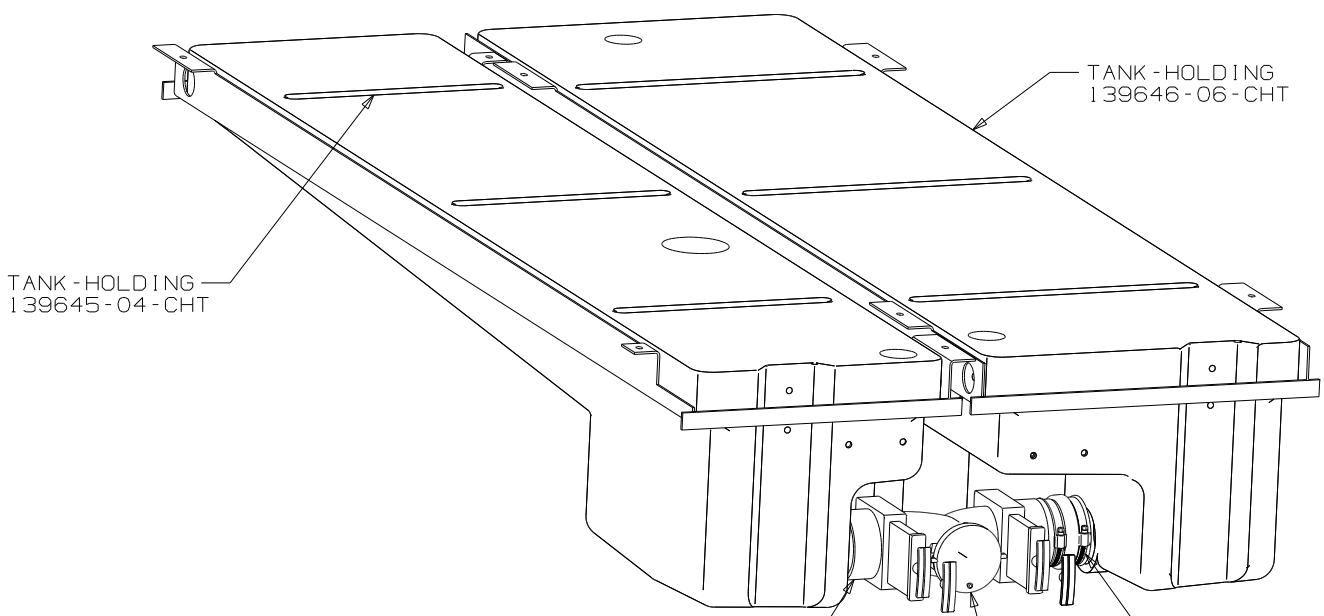
FIRST USED	08 329B
DO NOT SCALE DRAWING	
TITLE: DRAINAGE SYSTEM INSTL	
SHEET 2	PART NO 163227 REV
1 3/10/2008	

CRADLE ASM
139596-01-CHT
BOLT
C18-05-40A (4)
NUT
D13-05-00B (4)

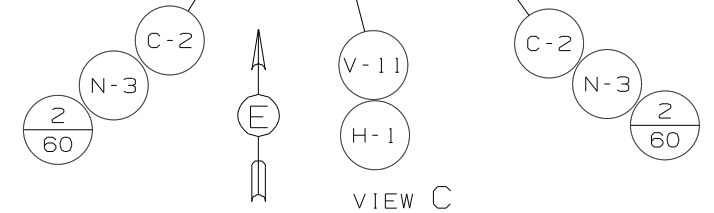
CRADLE ASM
139597-01-CHT
BOLT
C18-05-40A (4)
NUT
D13-05-00B (4)



VIEW D



VIEW E



VIEW C

FIRST USED	08 329B
TITLE	DO NOT SCALE DRAWING
DRAINAGE SYSTEM INSTL	
SHEET 3	PART NO 163227 REV

8

7

6

5

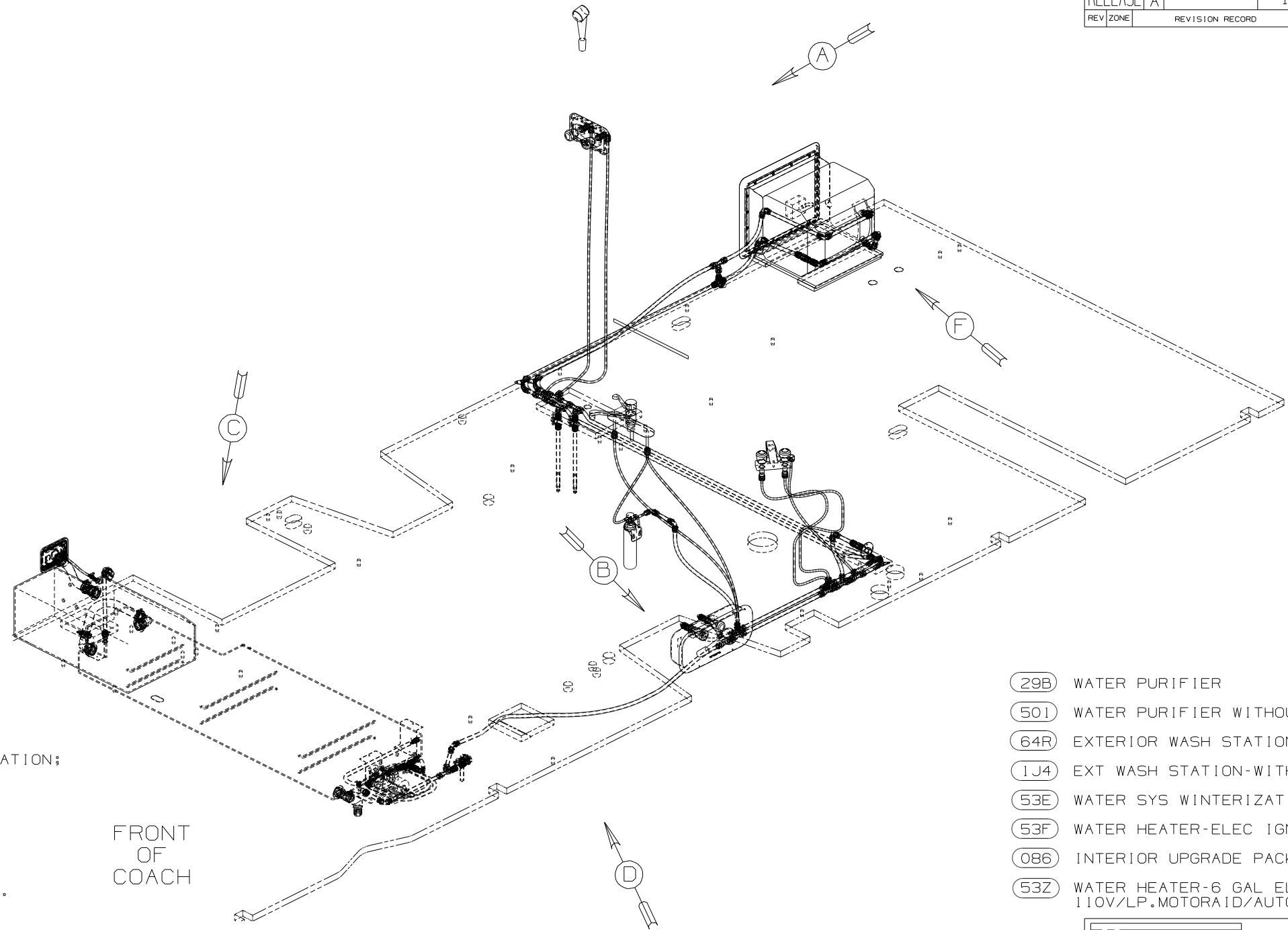
4

3

2

1

RELEASE	REV DATE	DWG NO
A		163235
REV ZONE	REVISION RECORD	DATE DFR-0R16



- 2 ADD PIPE WRAP (LADDER SCRAP) 110157-02-000 INSULATION;
OR CARPET PAD (SCRAP) 075233-06-000
- 1 LABEL HOT AND COLD SUPPLY LINES.
- 10 TAPE FITTING TO LINE BEFORE CABINET SET TO
PREVENT FITTING FROM MOVING.
- 9 BOLTS ON FRONT SIDE OF WATER TANK ARE TO BE
INSTALLED WITH HEAD OF BOLT ON TOP SIDE OF FLOOR.
- 8 ATTACH WASHER-PLASTIC 87080-13 WITH TAPE-DOUBLE
123816-03 ON BOTTOM SIDE OF LOWER FLOOR.
- 7 ATTACH WASHER-PLASTIC 87080-11 WITH TAPE-DOUBLE
123816-03 ON BOTTOM SIDE OF COMPARTMENT.
- 6 ADD TEFLON TAPE 10405-03-000.
- 5 ADD TEFLON TAPE 10405-02-000.
- 4 ADD TEFLON TAPE 10405-01-000.

FRONT
OF
COACH

- 29B WATER PURIFIER
- 50I WATER PURIFIER WITHOUT
- 64R EXTERIOR WASH STATION
- 1J4 EXT WASH STATION-WITHOUT
- 53E WATER SYS WINTERIZATION PKG
- 53F WATER HEATER-ELEC IGNITION
- 086 INTERIOR UPGRADE PACKAGE
- 53Z WATER HEATER-6 GAL ELEC IGN/
110V/LP. MOTORAID/AUTOHEATER

- 3. ALL TUBING TO BE SECURED AT 1200 INTERVALS MAXIMUM WITH
CLAMP 10495-01-000 AND SCREW G67-10-12B OR EQUIVALENT.
- 2. TUBING TO BE INSTALLED WITH SUFFICIENT SLOPE TO PROVIDE
DRAINAGE TO NEAREST VALVE.
- 1. PLASTIC FITTINGS TO BE SEALED WITH SEALANT 84456-01-000.

NOTES:

X-X
FOR
WATER
CALLOUTS
SEE DWG NO
116230-01-000

WINNEBAGO		COPYRIGHT 2008 WINNEBAGO INDUSTRIES, INC.	
DFTR	ORIG. DATE	ALL DIMENSIONS ARE IN MILLIMETERS	
CHKR		FIRST USED	
P.E.		08 329B	
M.E.		UNSPECIFIED TOLERANCES ARE:	
DSNR		MATERIAL:	
		WHOLE DIM (X) :	7
		ONE-PLACE (X.X) :	
		TWO-PLACE (X.XX) :	
		ANGLE :	
THIRD ANGLE PROJECTION		DO NOT SCALE DRAWING	
TITLE: WATER SYSTEM INSTL			
SHEET 1 OF 4	PART NO	163235	REV
REF:	1 4/2/2008		

8

7

6

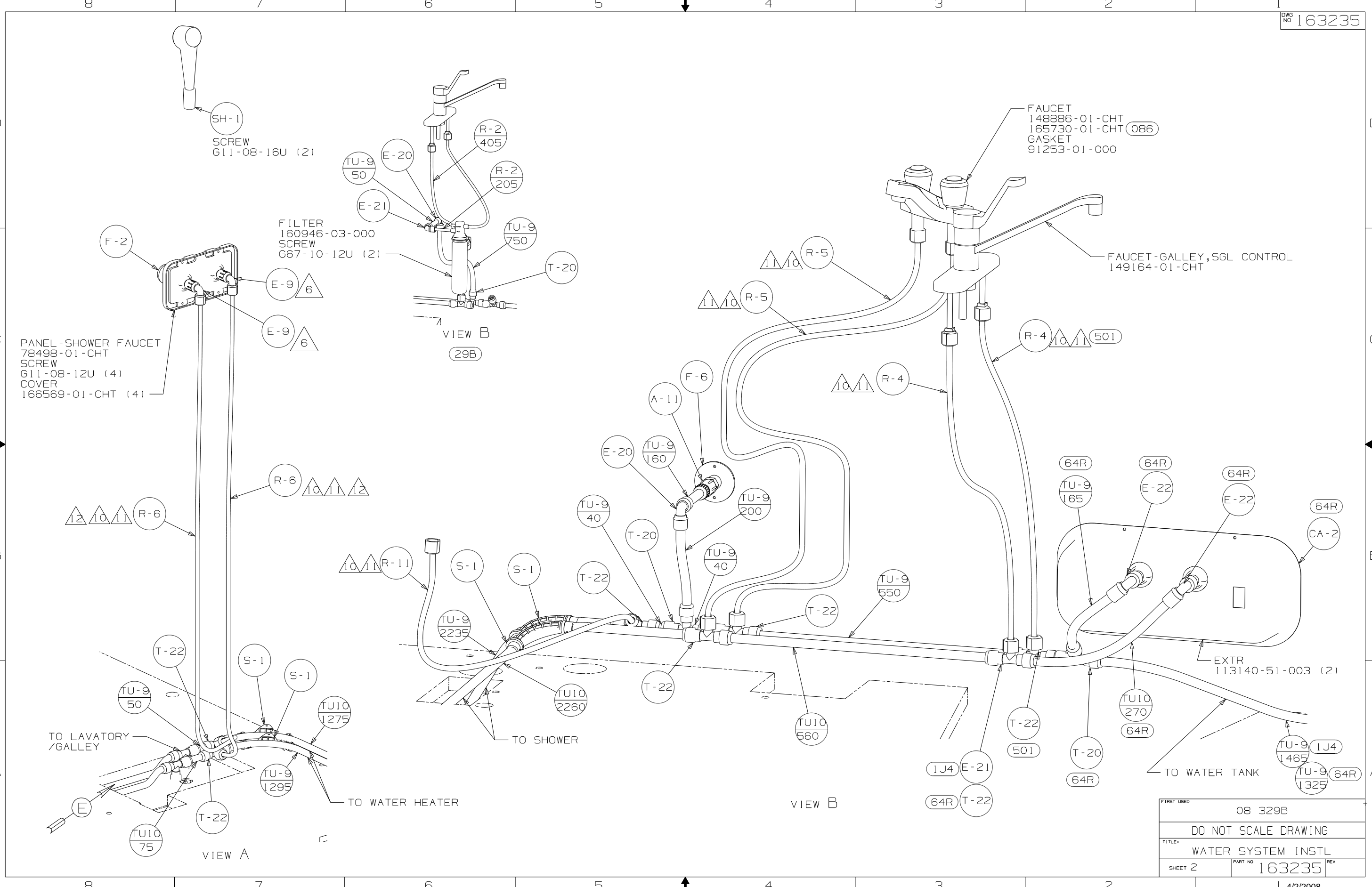
5

4

3

2

1



PANEL-SHOWER FAUCET
78498-01-CHT
SCREW
G11-08-12U (4)
COVER
166569-01-CHT (4)

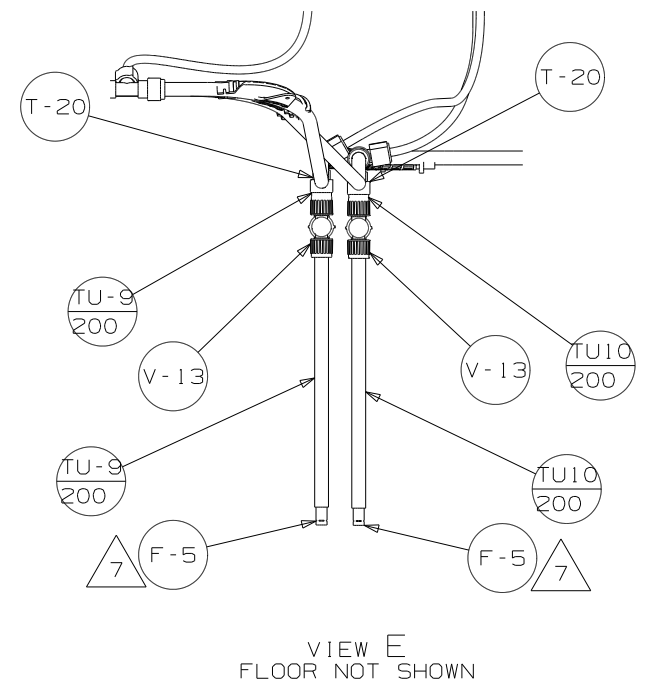
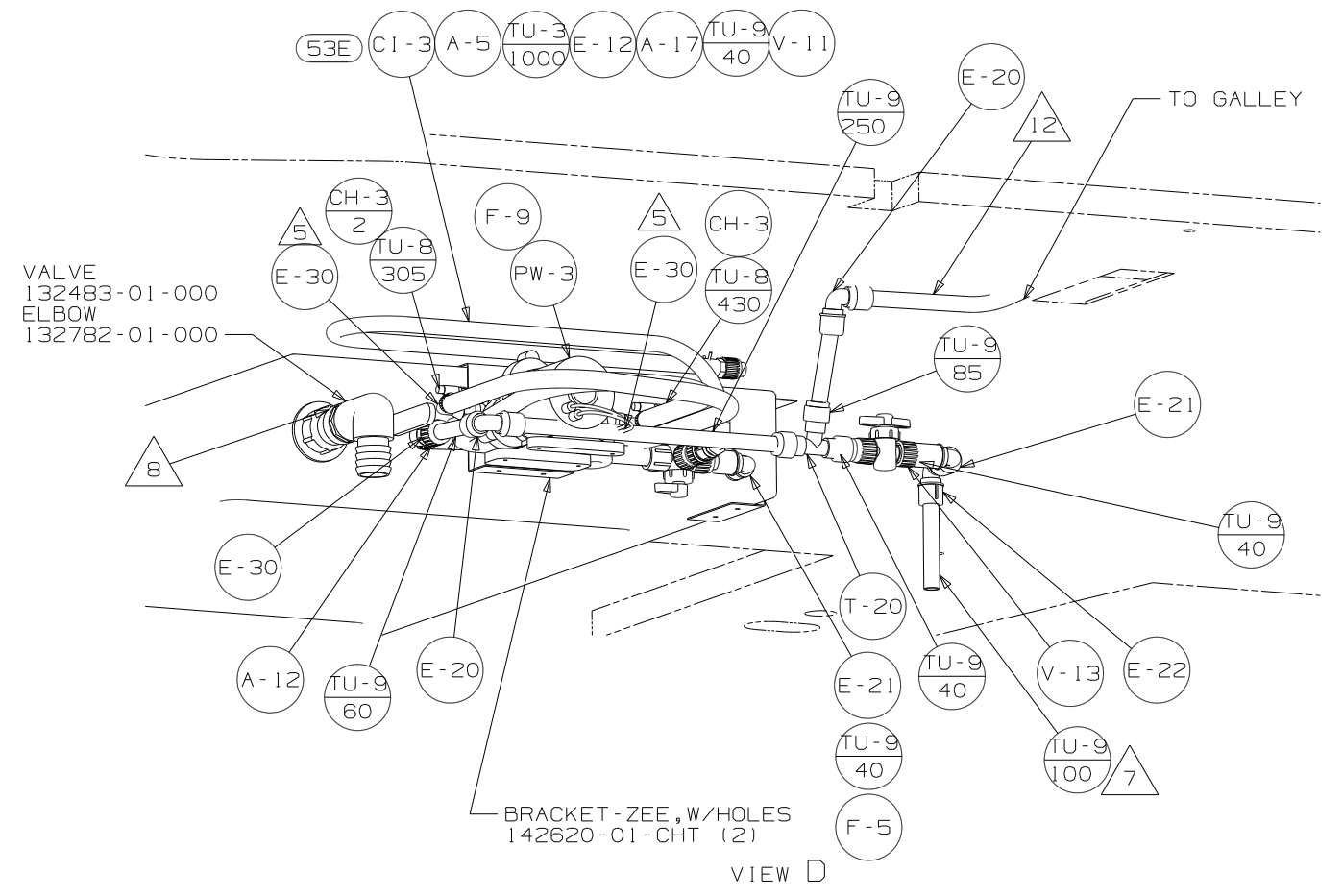
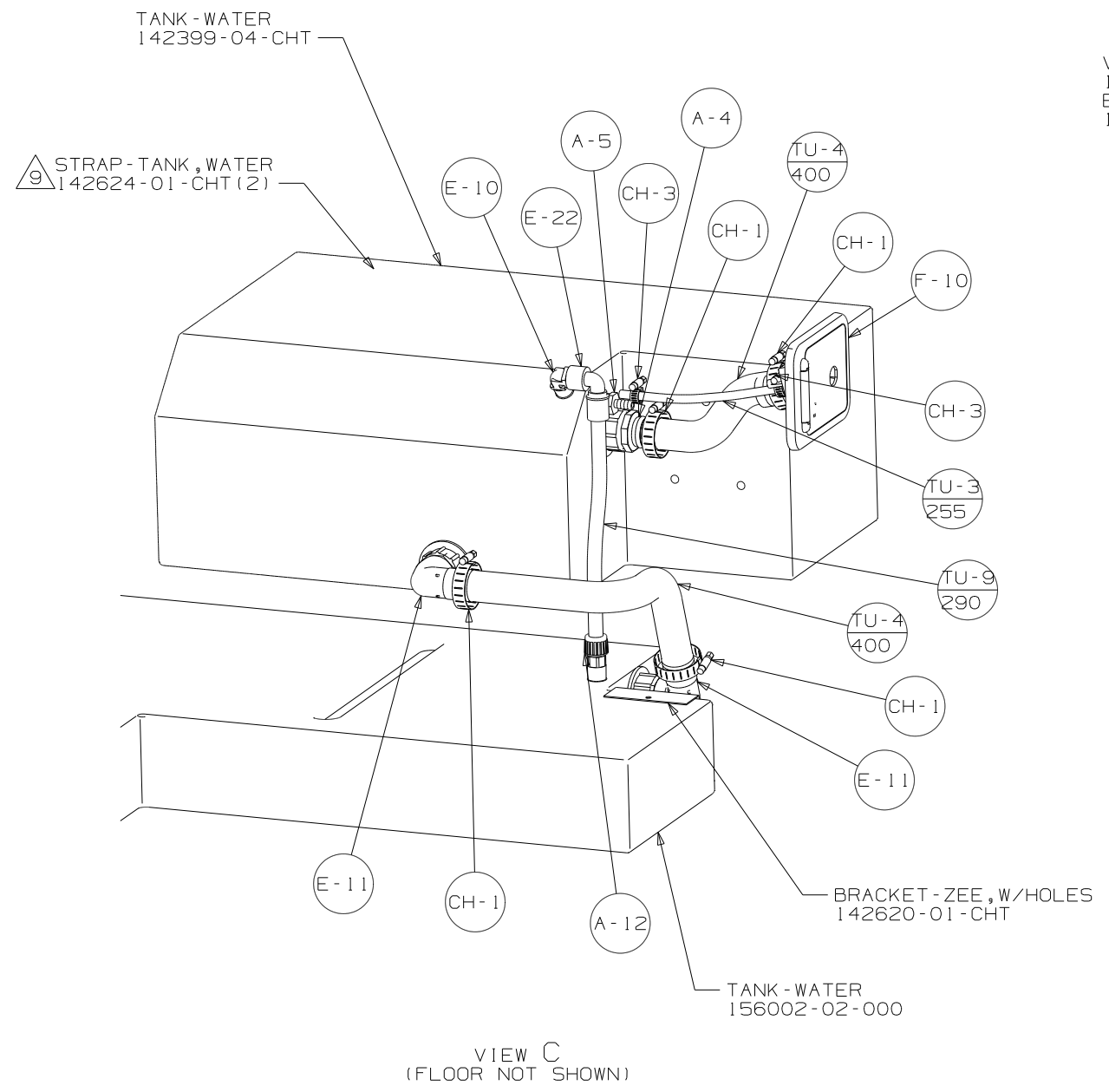
SCREW
G11-08-16U (2)

FILTER
160946-03-000
SCREW
G67-10-12U (2)

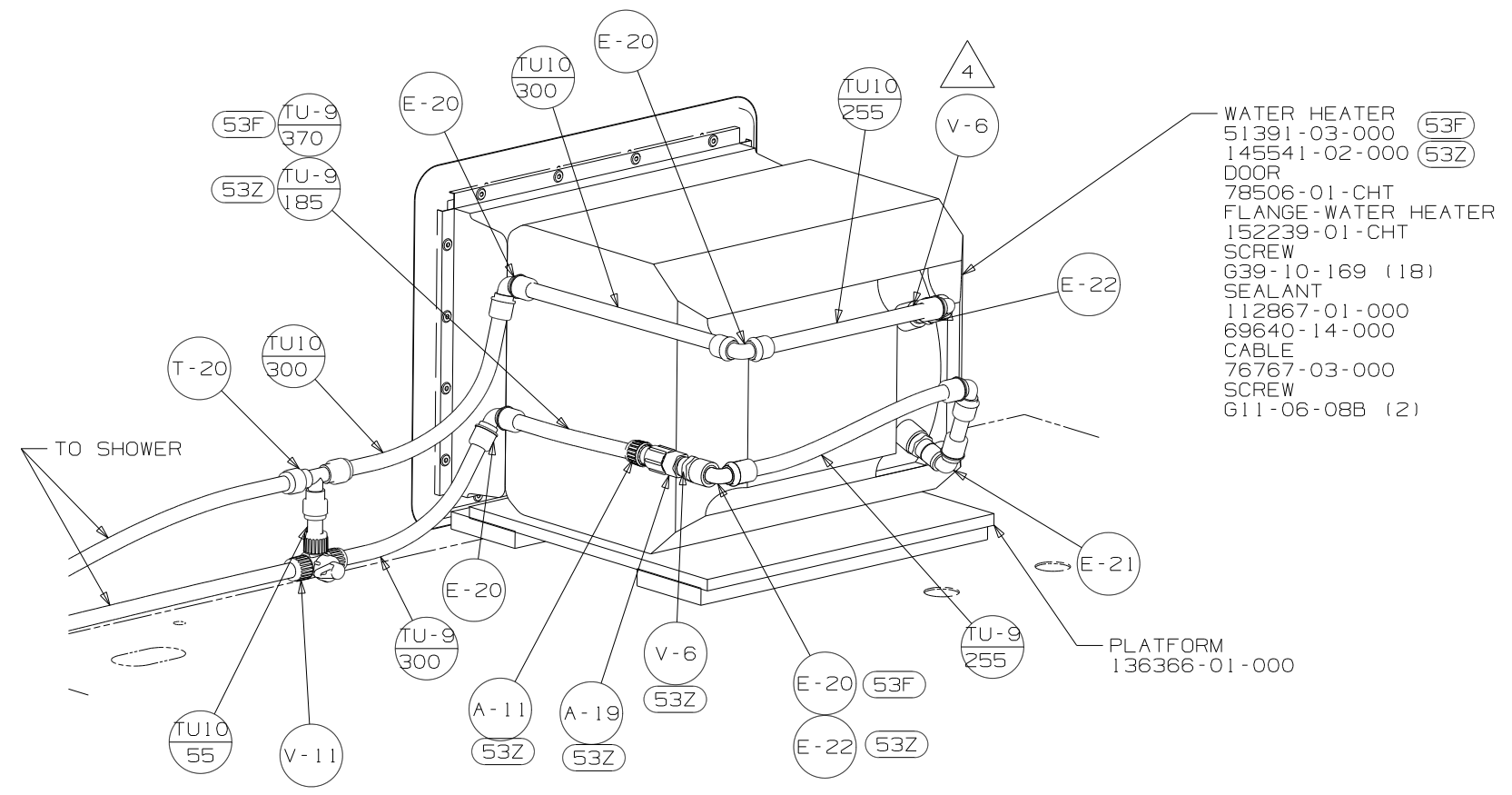
FAUCET
148886-01-CHT
165730-01-CHT (086)
GASKET
91253-01-000

FAUCET-GALLEY, SGL CONTROL
149164-01-CHT

FIRST USED	08 329B		
TITLE	DO NOT SCALE DRAWING		
TITLE	WATER SYSTEM INSTL		
SHEET 2	PART NO	163235	REV



FIRST USED	08 329B
DO NOT SCALE DRAWING	
TITLE:	WATER SYSTEM INSTL
SHEET 3	PART NO 163235 REV
1 4/2/2008	



VIEW F

FIRST USED	08 329B	
TITLE	DO NOT SCALE DRAWING	
	WATER SYSTEM INSTL	
SHEET 4	PART NO 163235	REV