

- (23T) DRAINAGE SYSTEM-HEATED
- (1B1) CODES/STANDARDS-USA
- (265) CODES/STANDARDS-CSA/CMVSS
- (464) TOILET
- (644) GREAT ALASKAN RENTALS

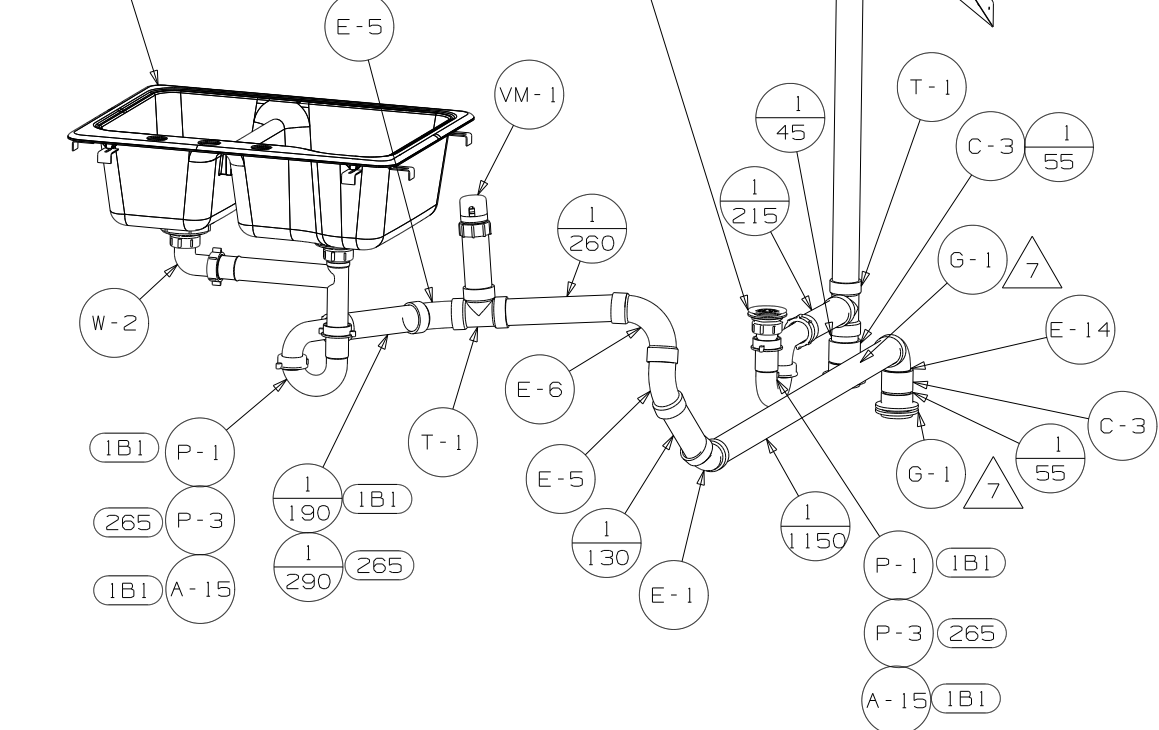
- NOTES:
8. SEE WIRING INSTL-BODY, 12V FOR ELECTRICAL CONNECTION.
  7. SECURE VENT TUBES TO FLOOR WITH CLAMP 62401-02-000 (2), SCREW G67-10-12B (2), BRACKET 136878-01-CHT (2).
  6. VENT PIPE MUST PROJECT 51 MIN AND 64 MAX ABOVE ROOF FOR PROPER FIT AND FUNCTION. ADD S-1 (116666-01-CHT SEAL-VENT PIPE) AROUND PIPE ON ROOF BEFORE VENT CAP IS INSTALLED.
  5. SEAL AROUND SHOWER WITH SILICONE.
  4. ALL EXTERIOR OPENINGS AROUND PIPE TO BE SEALED WITH 131264-03-000.
  3. ALL PIPE AND FITTINGS TO BE ASSEMBLED WITH SOLVENT 4020-01-000 (USA), 4020-02-000 (CAN)
  2. SLOPE OF TRAP ARM MUST BE 6 PER 305 mm.
  1. SLOPE OF HORIZONTAL PIPING TO BE MIN 3 PER 305 mm.

<b>WINNEBAGO</b>		COPYRIGHT 2008 WINNEBAGO INDUSTRIES, INC.	
DFT	ORIG. DATE	ALL DIMENSIONS ARE IN MILLIMETERS	
CHKR		FIRST USED	
P.E.		08 229T	
M.E.		UNSPECIFIED TOLERANCES ARE:	
DSNR		MATERIAL:	
		WHOLE DIM (X)	: 3
		ONE-PLACE (X.X)	: 1.5
		TWO-PLACE (X.XX)	: 0.50
		ANGLE	: 1°
THIRD ANGLE PROJECTION		DO NOT SCALE DRAWING	
TITLE: DRAINAGE SYSTEM INSTL			
SHEET 1 OF 3	PART NO	161825	REV

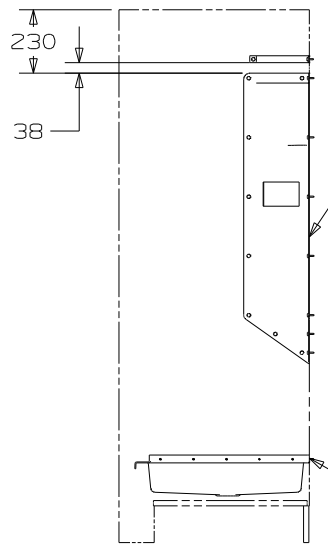
FOR  
DRAINAGE  
CALLOUTS  
SEE DWG NO  
116229-01-000

- SINK-DBL,L/S BASIN  
148870-01-CHT
- STRAINER  
92303-01-000 (2)
- BRACKET  
140002-01-CHT (8)
- SCREW  
G67-10-08B (8)
- SEAL  
(A/R)

- STRAINER  
66440-01-000
- SEALER  
69640-01-000
- NUT  
130403-01-000
- WASHER-RUBBER  
127440-02-CHT
- TAILPIECE  
11069-06-000



VIEW A



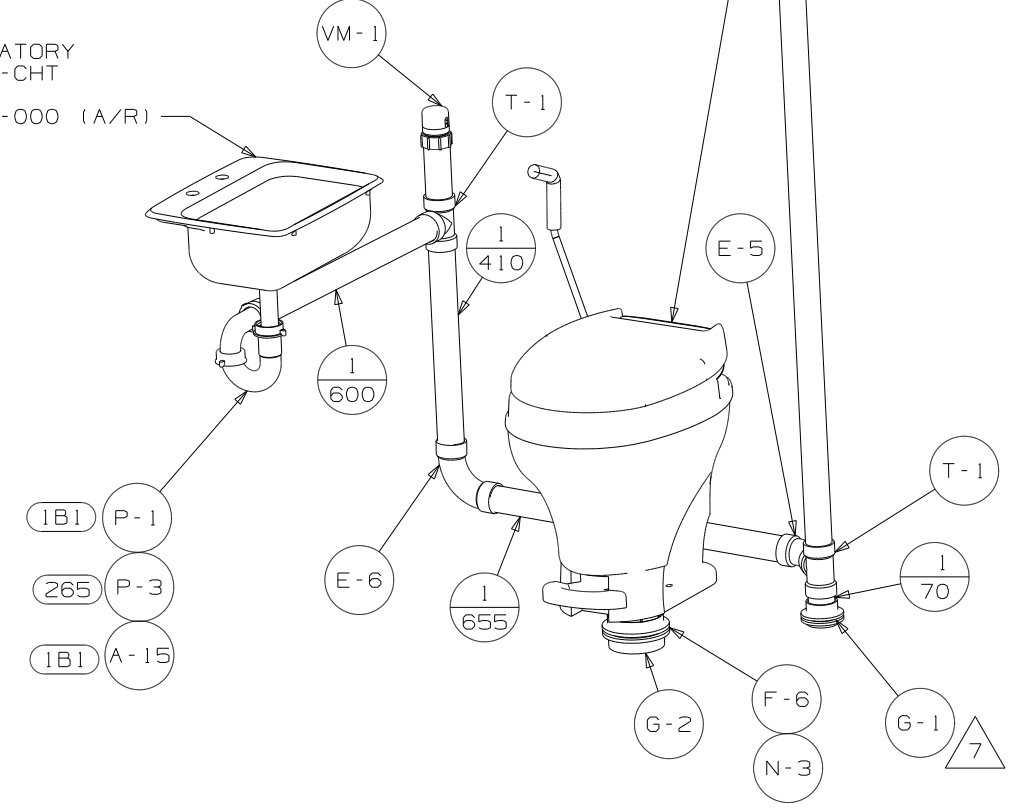
VIEW B

- CADDY-SHOWER  
105707-01-CHT
- SCREW  
G11-08-12U (8)
- G39-08-12U (8)
- COVER  
166569-01-CHT (16)
- RETAINER  
113714-02-CHT
- SCREW  
G11-08-12U
- G39-08-12U
- COVER  
166569-01-CHT (2)

- SHOWER PAN  
101435-04-CHT
- SCREW  
G11-08-12U (10)
- G39-08-12U (6)
- COVER  
166569-01-CHT (16)

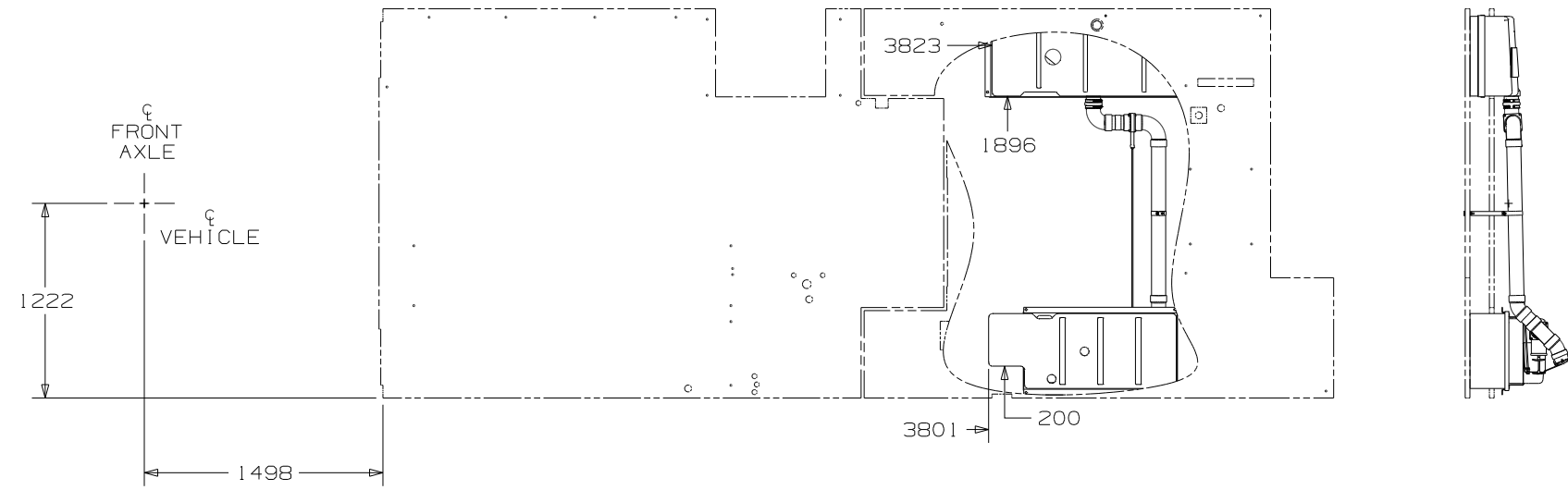
- SINK-LAVATORY  
96927-01-CHT
- SEAL  
91255-02-000 (A/R)

- TOILET  
147421-04-CHT
- 160815-03-CHT
- SCREW  
G39-10-32B (8)

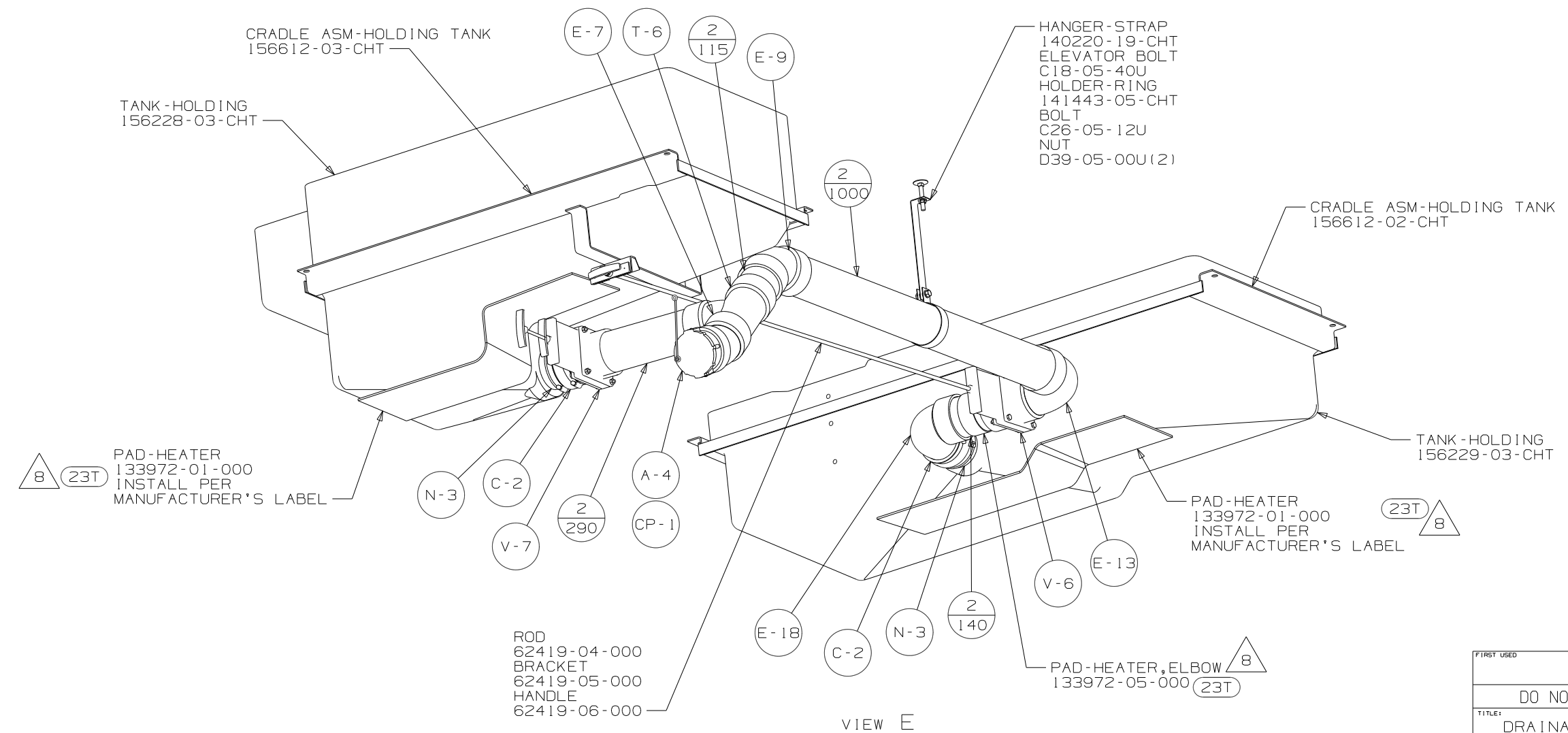


VIEW C

FIRST USED	08 229T	
TITLE	DO NOT SCALE DRAWING	
	DRAINAGE SYSTEM INSTL	
SHEET 2	PART NO	161825
	REV	

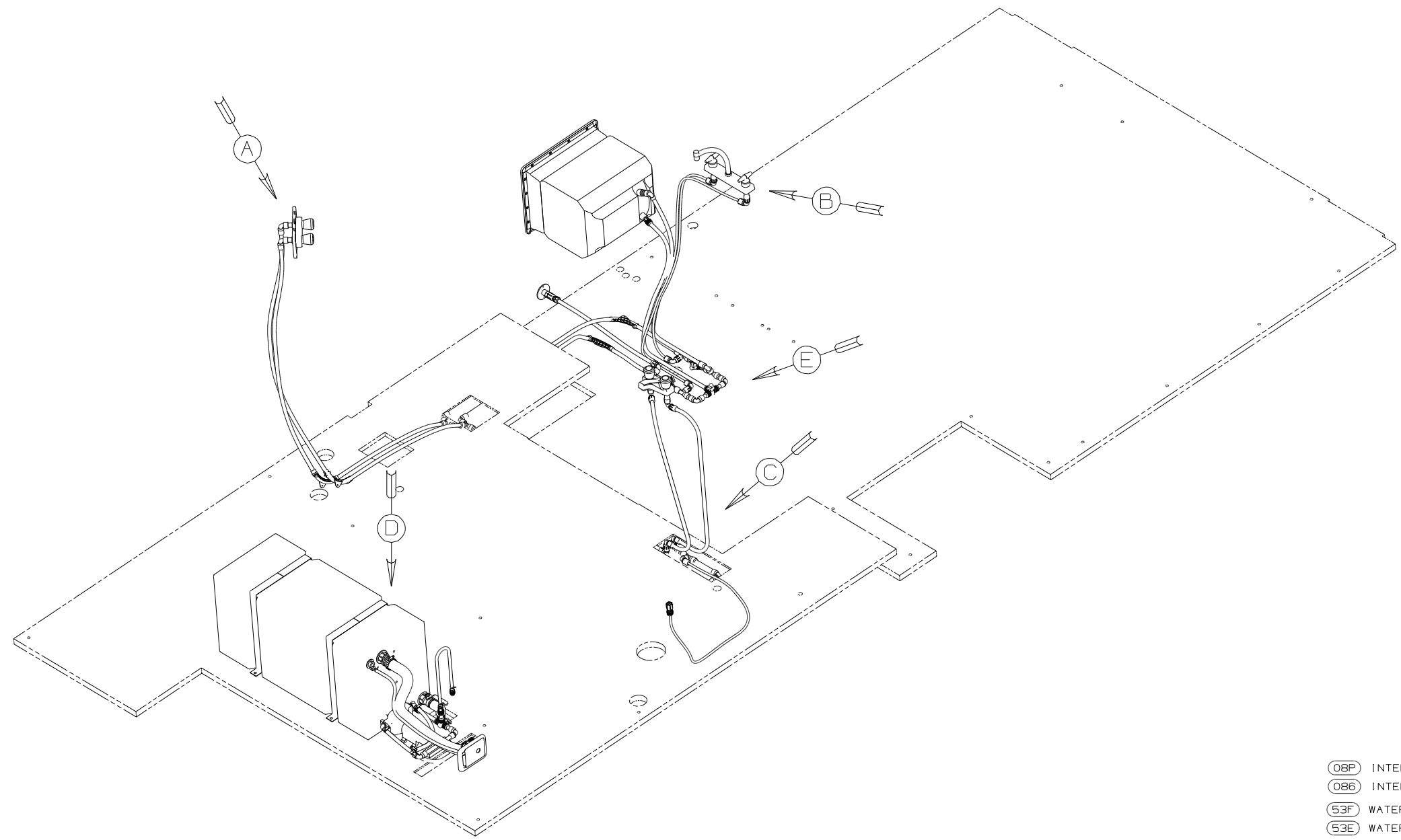


VIEW D



VIEW E

FIRST USED	08 229T
DO NOT SCALE DRAWING	
TITLE	DRAINAGE SYSTEM INSTL
SHEET 3	PART NO 161825 REV



- (08P) INTERIOR UPGRADE - WITHOUT
- (086) INTERIOR UPGRADE PACKAGE
- (53F) WATER HEATER-ELEC. IGNITION
- (53E) WATER SYS WINTERIZATION PKG

4. ADD PIPE WRAP (LADDER SCRAP) INSULATION HERE;  
OR USE CARPET PAD (SCRAP) 075233-06-000.
3. ALL TUBING TO BE SECURED AT 1200 INTERVALS MAXIMUM WITH  
CLAMP 10495-01-000 AND SCREW G67-10-12B OR EQUIVALENT.
2. TUBING TO BE INSTALLED WITH SUFFICIENT SLOPE TO PROVIDE  
DRAINAGE TO NEAREST VALVE.
1. PLASTIC FITTINGS TO BE SEALED WITH SEALANT 84456-01-000.

NOTES:

<b>WINNEBAGO</b>		COPYRIGHT 2007 WINNEBAGO INDUSTRIES, INC.	
DFTR	ORIG. DATE	ALL DIMENSIONS ARE IN MILLIMETERS	
CHKR		FIRST USED	
P.E.		08 229T	
M.E.		UNSPECIFIED TOLERANCES ARE:	
DSNR		MATERIAL:	
		WHOLE DIM (X)	: 3
		ONE-PLACE (X.X)	: 1.5
		TWO-PLACE (X.XX)	: 0.50
		ANGLE	: 1°
THIRD ANGLE PROJECTION		DO NOT SCALE DRAWING	
TITLE: WATER SYSTEM INSTL			
SHEET 1 OF 3	PART NO 161833	REV	
REF:	12/11/2007		

(X-X)  
FOR  
WATER  
CALLOUTS  
SEE DWG NO  
116230-01-000

PANEL - SHOWER  
78498-01-CHT  
SH-1  
SCREW  
G11-08-16U (3)  
NUT - SPEED-U  
40921-05-000 (4)

08P FAUCET-LAV  
148886-01-CHT  
086 165730-01-CHT

FAUCET - GALLEY  
140117-02-CHT

STRAP - TANK, WATER  
118994-10-CHT (2)

TANK - WATER, 36 GAL  
156167-03-000

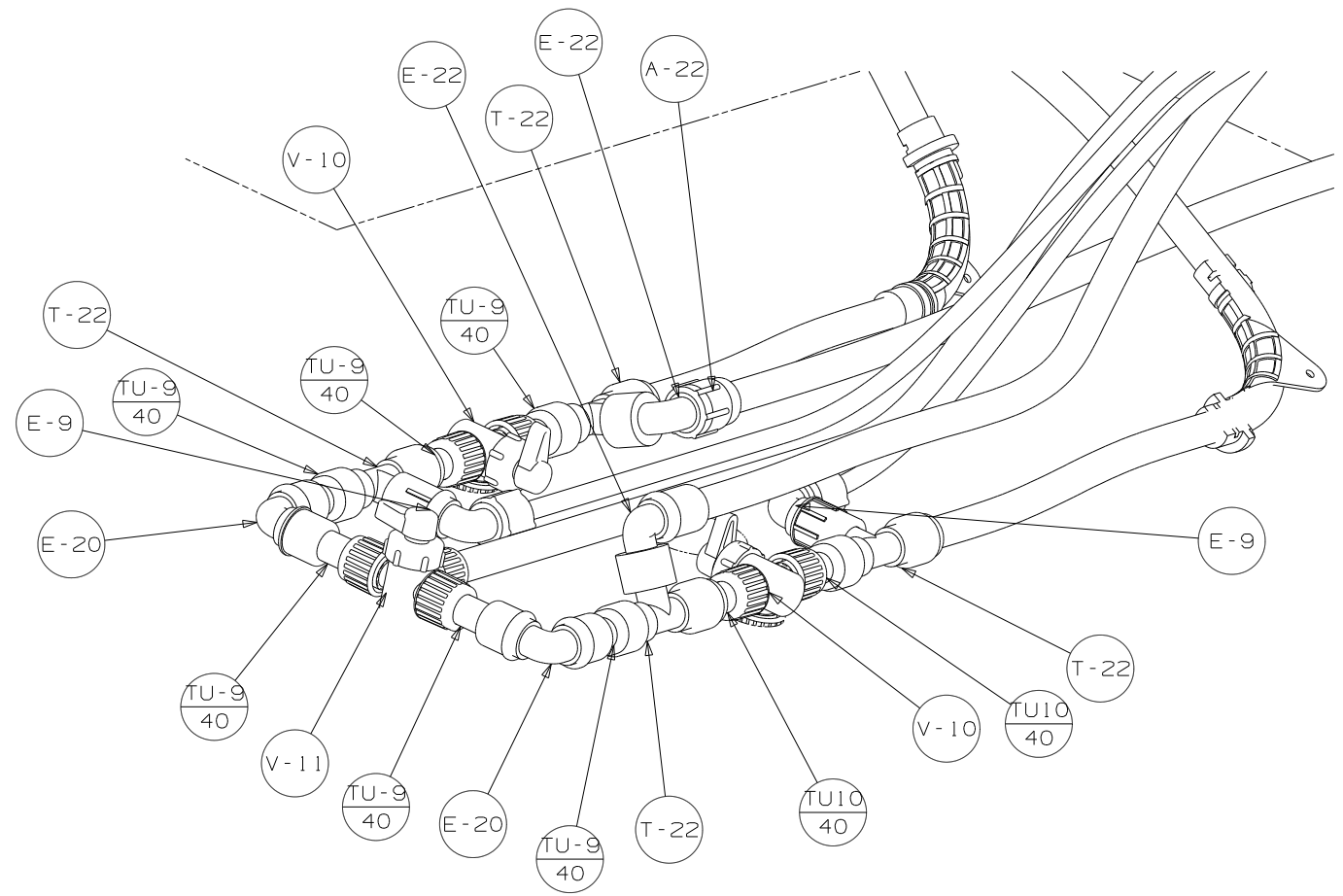
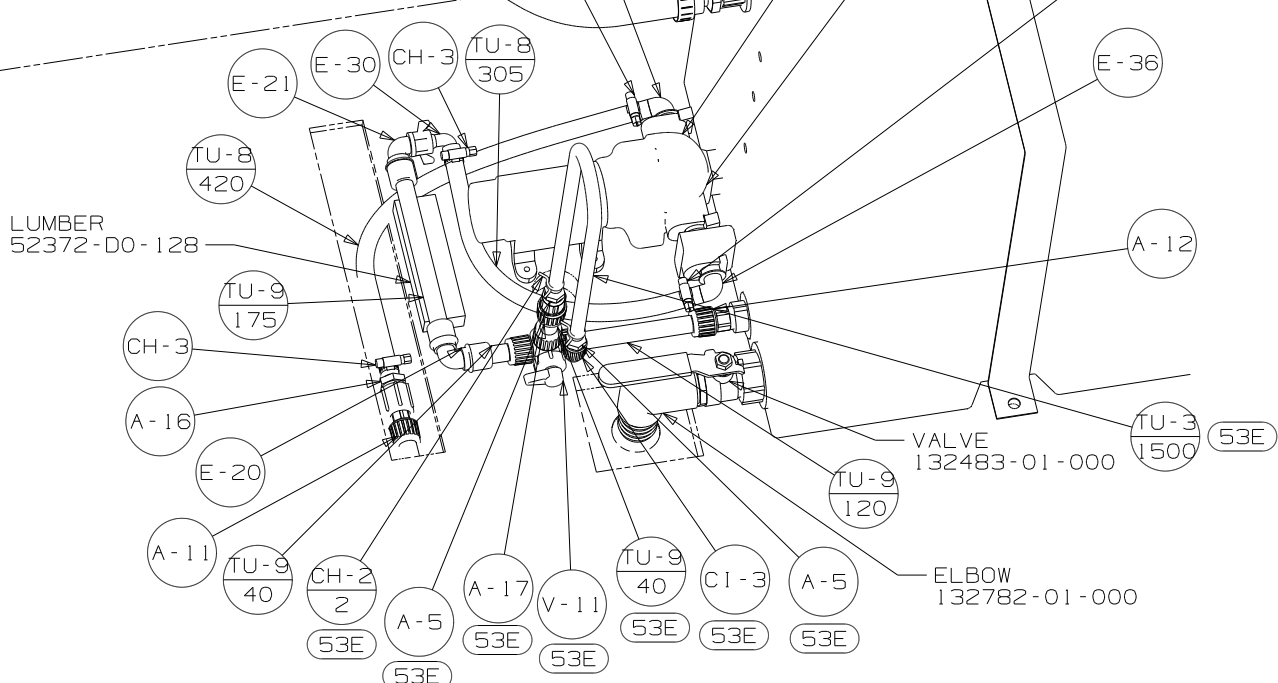
WATER HEATER  
51391-03-000 (53F)  
DOOR  
78506-01-CHT  
AL EXTR  
2726-01-210 (2)  
2726-01-212 (2)  
SCREW  
G39-10-169 (18)  
SEALANT  
CABLE  
76767-03-000  
SCREW  
G11-06-08B (2)

VIEW A  
(SHOWN WITHOUT FLOOR)

VIEW C  
(SHOWN WITHOUT FLOOR)

VIEW B

FIRST USED	08 229T
TITLE	DO NOT SCALE DRAWING
TITLE	WATER SYSTEM INSTL
SHEET 2	PART NO 161833 REV



FIRST USED	08 229T
TITLE	DO NOT SCALE DRAWING
SHEET 3	PART NO 161833
	REV 12/11/2007