

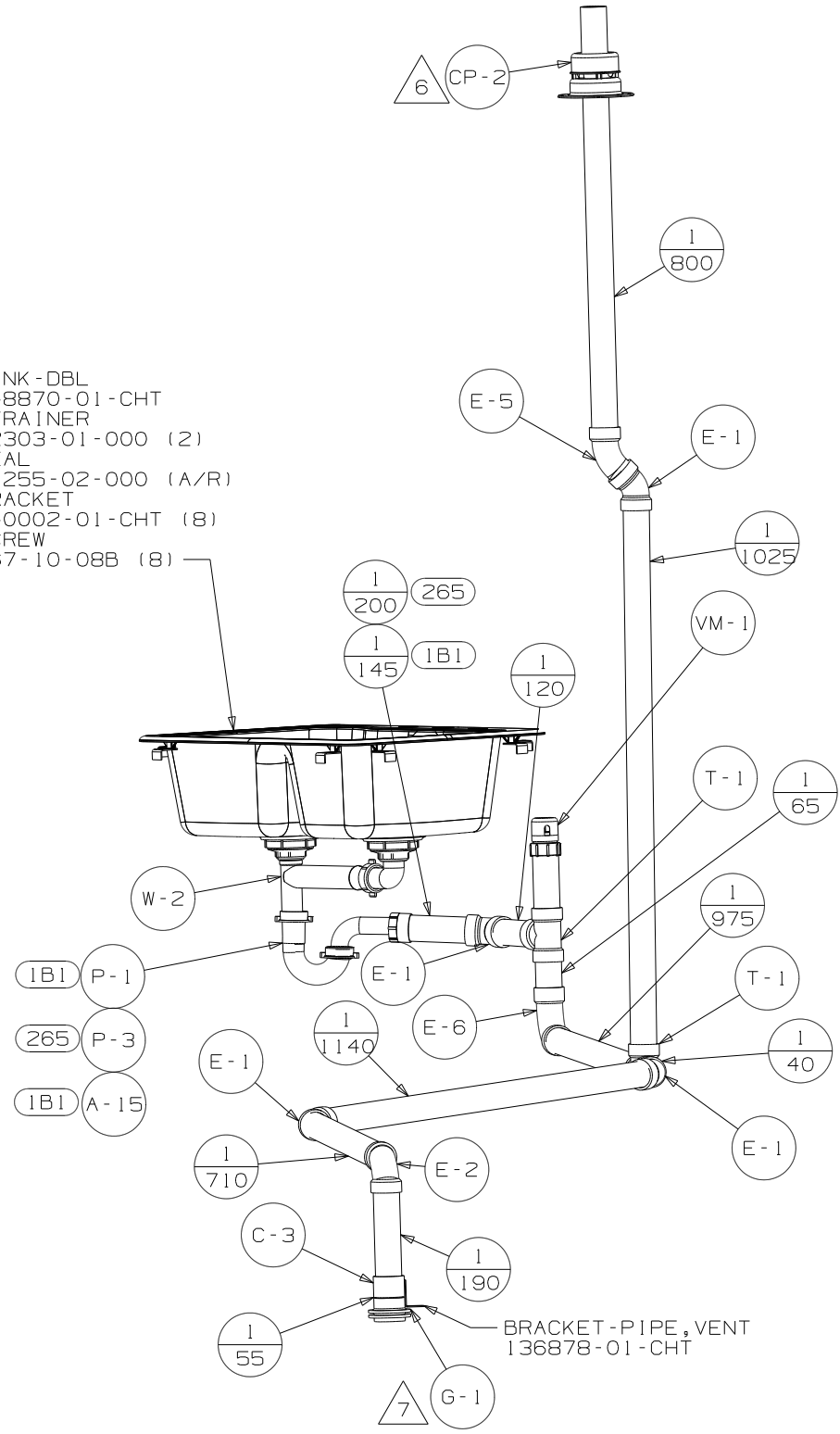
- 10. SEE WIRING INSTL-BODY, 12V FOR ELECTRICAL CONNECTION.
- 9. LOCATE WITHIN 20 MM OF TANK OUTLET.
- 8. SECURE DRAINAGE PIPES TO CABINET USING WIRE TIE 108046-02-000, AND SCREW G67-10-12B AT INTERVALS OF NOT MORE THAN 4 FEET APART.
- 7. SECURE VENT PIPE TO FLOOR WITH CLAMP 62401-02-000 (2), SCREW G67-10-12B (2), BRACKET 136878-01-CHT (2).
- 6. VENT PIPE MUST PROJECT 51 MIN AND 64 MAX ABOVE ROOF FOR PROPER FIT AND FUNCTION.
- 5. SEAL AROUND SHOWER WITH SILICONE.
- 4. ALL EXTERIOR OPENINGS AROUND PIPE TO BE SEALED WITH 131264-03-000.
- 3. ALL PIPE AND FITTINGS TO BE ASSEMBLED WITH SOLVENT 4020-01-000 (USA), 4020-02-000 (CAN)
- 2. SLOPE OF TRAP ARM MUST BE 6 PER 305 mm.
- 1. SLOPE OF HORIZONTAL PIPING TO BE MINIMUM OF 3 PER 305 mm.

- (1B1) CODES/STANDARDS-USA
- (265) CODES/STDS-CSA/CMVSS
- (23T) DRAINAGE SYSTEM- HEATED
- (464) TOILET

<b>WINNEBAGO</b>		COPYRIGHT 2008 WINNEBAGO INDUSTRIES, INC.	
DFT	ORIG. DATE	ALL DIMENSIONS ARE IN MILLIMETERS	
CHKR		FIRST USED	
P.E.		08 226A	
M.E.		UNSPECIFIED TOLERANCES ARE:	
DSNR		MATERIAL:	
		WHOLE DIM (X)	: 3
		ONE-PLACE (X.X)	: 1.5
		TWO-PLACE (X.XX)	: 0.50
		ANGLE	: 1°
THIRD ANGLE PROJECTION			
<b>DO NOT SCALE DRAWING</b>			
TITLE: DRAINAGE SYSTEM INSTL			
SHEET 1 OF 3	PART NO	163861	REV

FOR  
DRAINAGE  
CALLOUTS  
SEE DWG NO  
116229-01-000

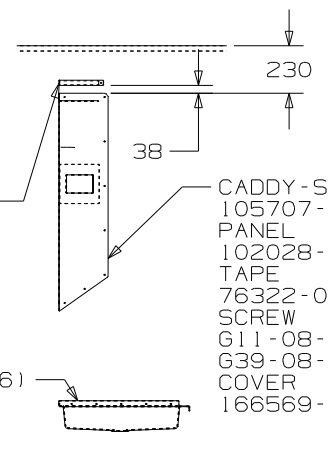
SINK-DBL  
148870-01-CHT  
STRAINER  
92303-01-000 (2)  
SEAL  
91255-02-000 (A/R)  
BRACKET  
140002-01-CHT (8)  
SCREW  
G67-10-08B (8)



VIEW A

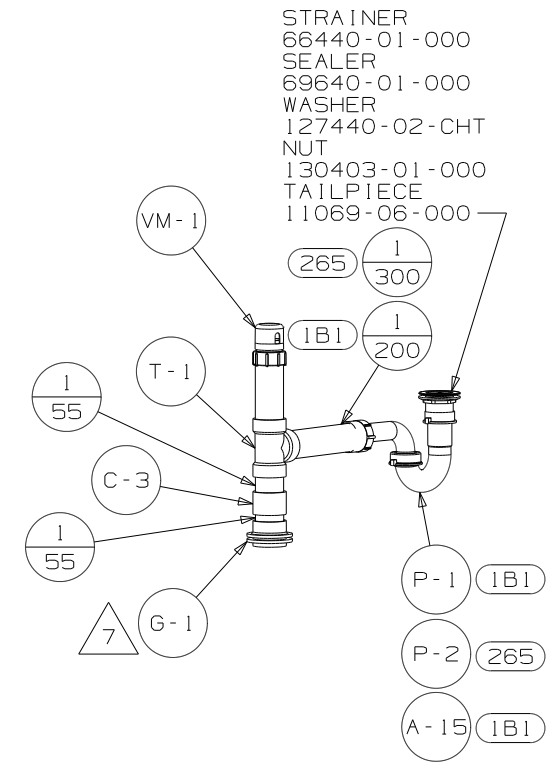
RETAINER  
113714-02-CHT  
SCREW  
G11-08-12U  
G39-08-12U  
COVER  
166569-01-CHT (2)

SHOWER PAN  
101435-04-CHT  
SCREW  
G11-08-12U (10)  
G39-08-12U (6)  
COVER  
166569-01-CHT (16)

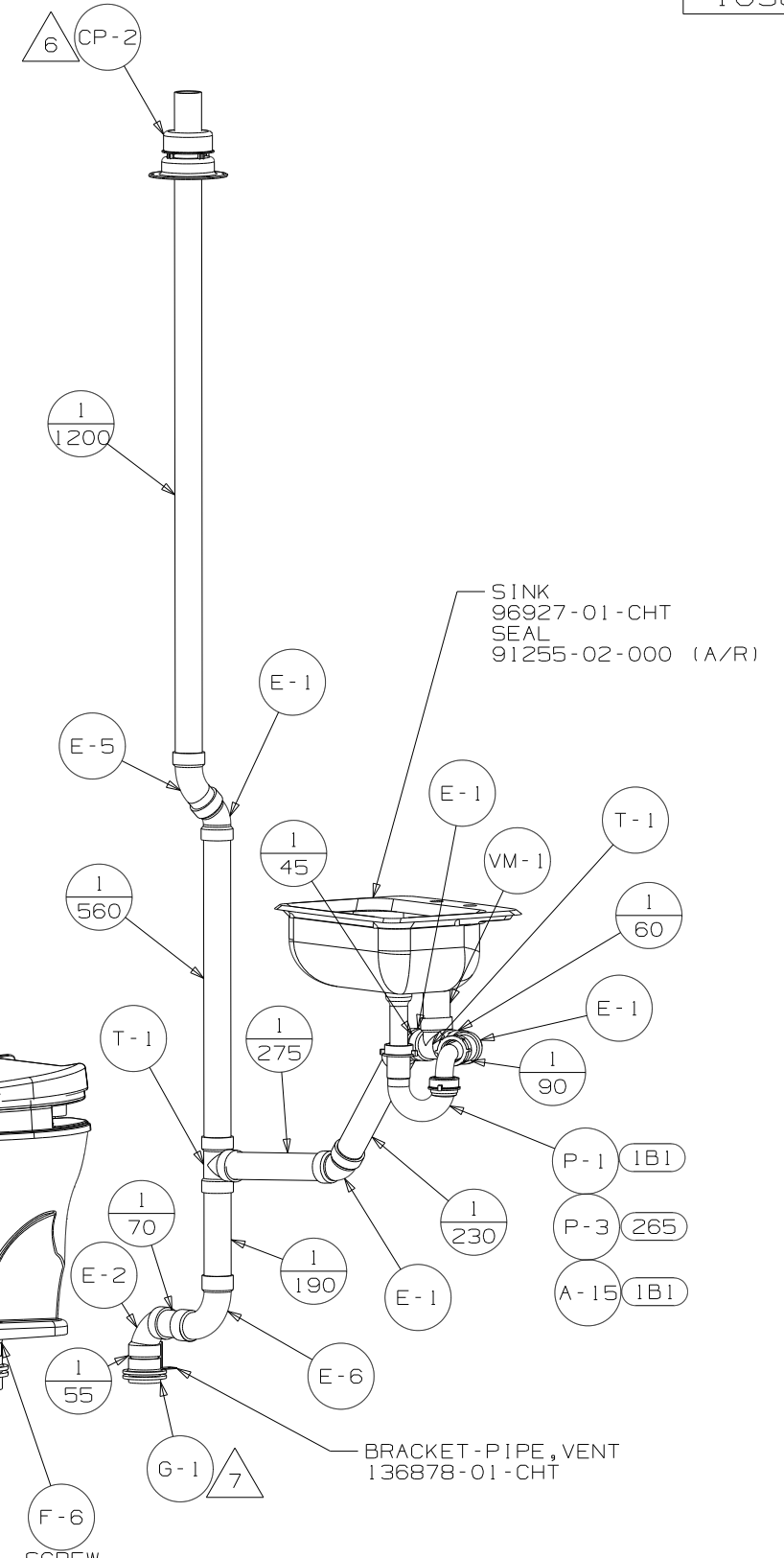


VIEW E

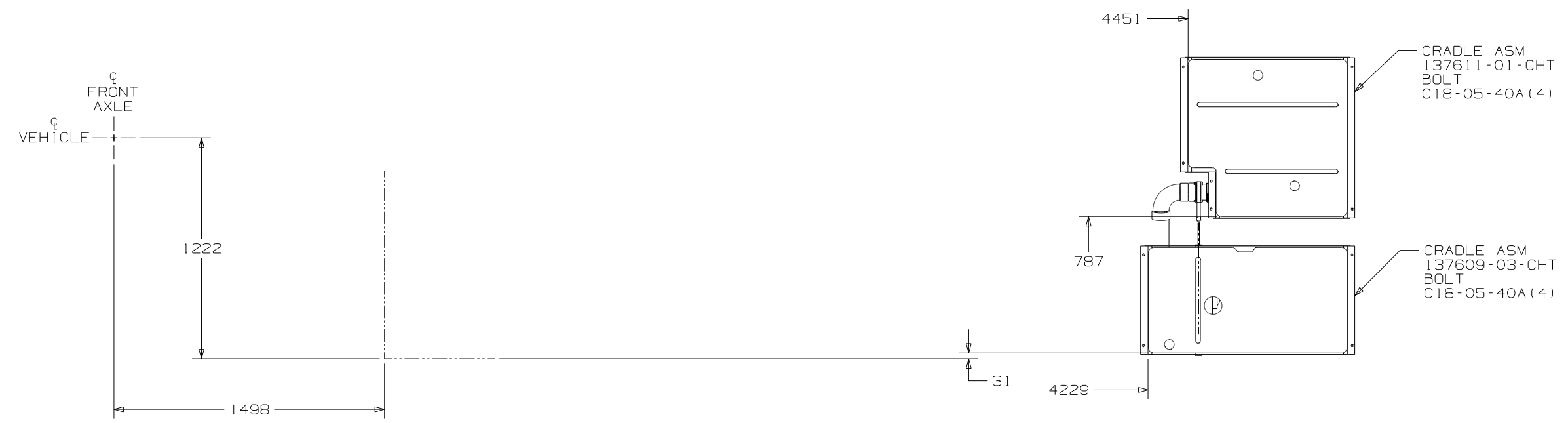
464 TOILET- AQUA MAGIC V, HIGH  
147421-04-CHT  
SCREW  
G39-10-32B (8)



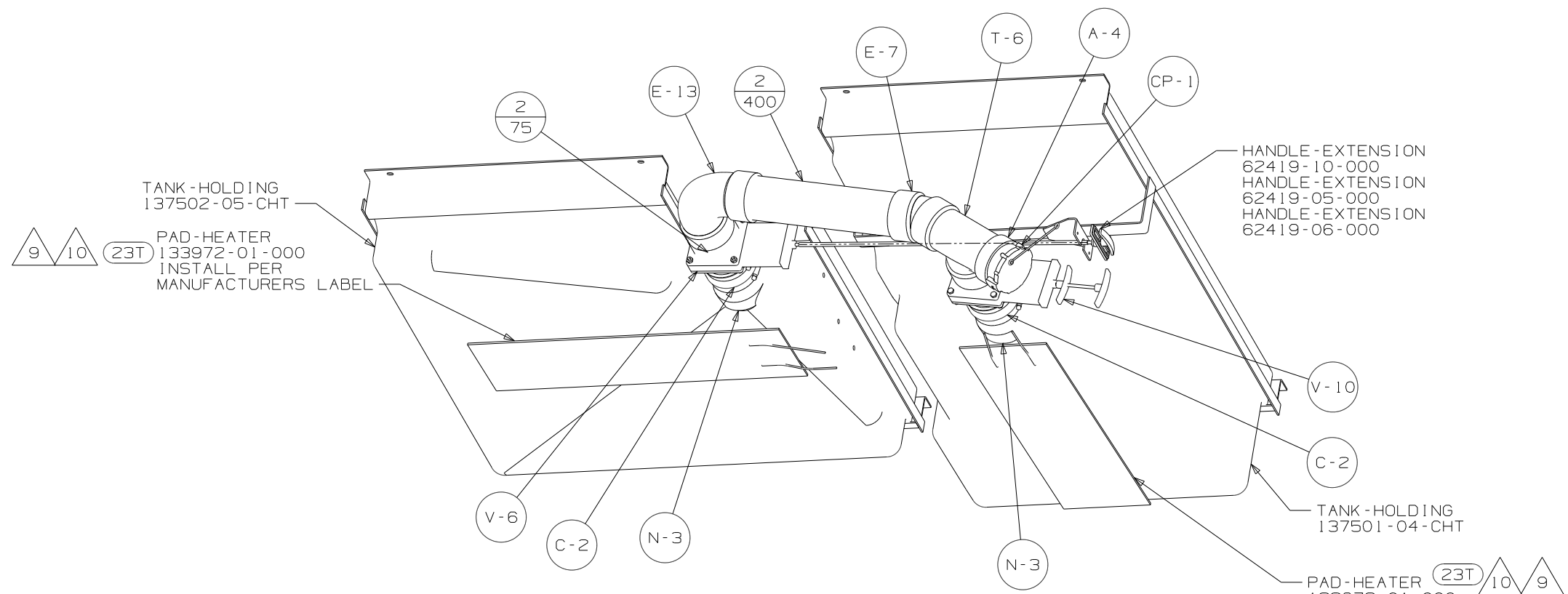
VIEW B



FIRST USED	08 226A	
TITLE	DO NOT SCALE DRAWING	
	DRAINAGE SYSTEM INSTL	
SHEET 2	PART NO 163861	REV

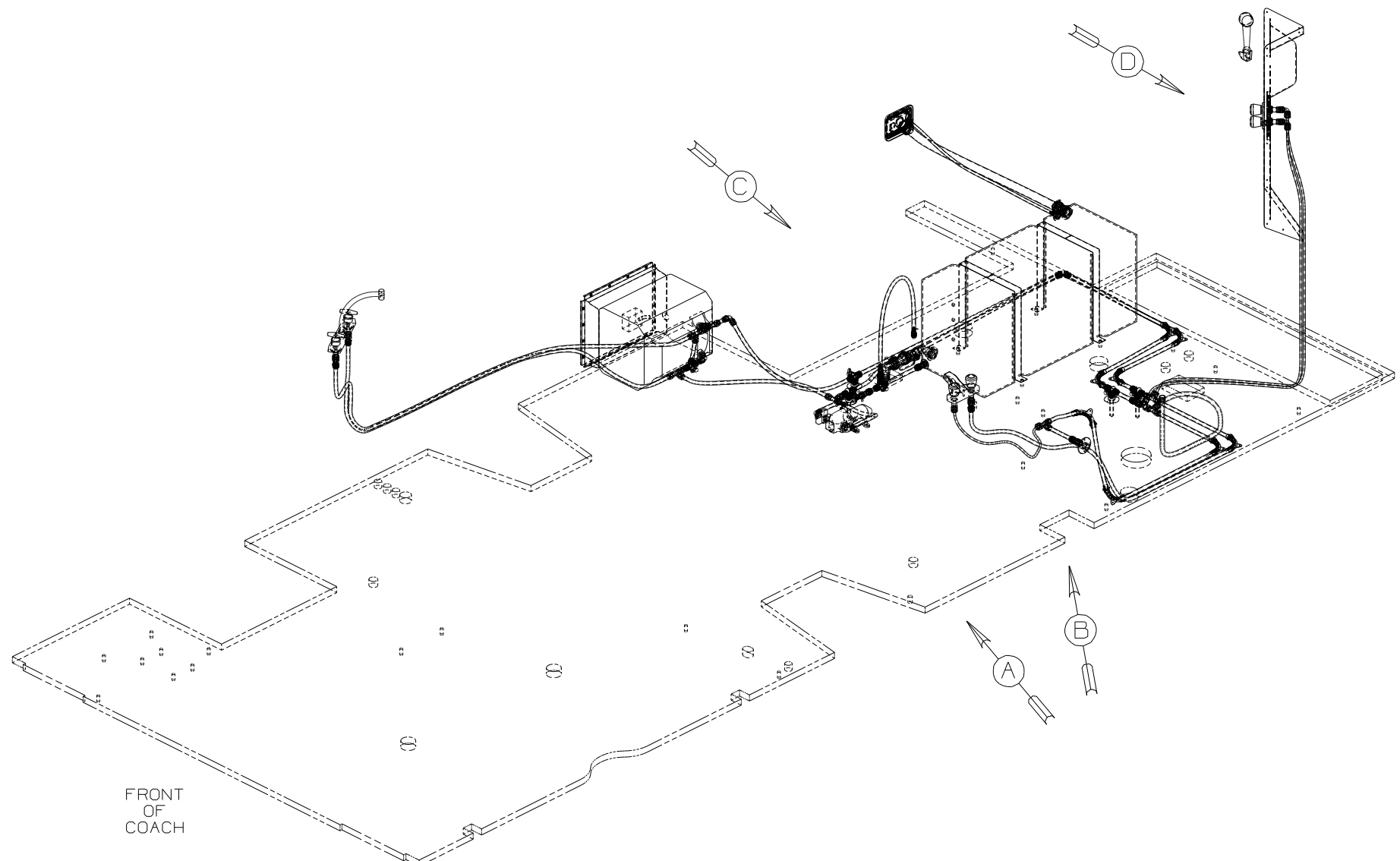


VIEW C



VIEW D

FIRST USED	08 226A	
TITLE	DO NOT SCALE DRAWING	
SHEET 3	PART NO	163861
	REV	1 2/25/2008



FRONT  
OF  
COACH

- NOTES:
- 1. PLASTIC FITTINGS TO BE SEALED WITH SEALANT 84456-01-000.
  - 2. TUBING TO BE INSTALLED WITH SUFFICIENT SLOPE TO PROVIDE DRAINAGE TO NEAREST VALVE.
  - 3. ALL TUBING TO BE SECURED AT 1200 INTERVALS MAXIMUM WITH CLAMP 10495-01-000 AND SCREW G67-10-12B OR EQUIVALENT.
  - 4. ADD TEFLON TAPE 10405-01-000.
  - 5. ADD TEFLON TAPE 10405-02-000.
  - 6. ADD TEFLON TAPE 10405-03-000.
  - 7. ATTACH WASHER-PLASTIC 87080-13-CHT WITH TAPE-DOUBLE 123816-03-000 ON BOTTOM SIDE OF FLOOR.
  - 8. TAPE FITTING TO TUBE BEFORE CABINET SET TO PREVENT FITTING FROM MOVING.
  - 9. LABEL HOT AND COLD SUPPLY TUBES.
  - 10. ADD PIPE WRAP (LADDER SCRAP) INSULATION HERE; OR USE CARPET PAD (SCRAP) 075233-06-000.

- 53E WATER SYS WINTERIZATION PKG
- 53F WATER HEATER-ELEC IGNITION

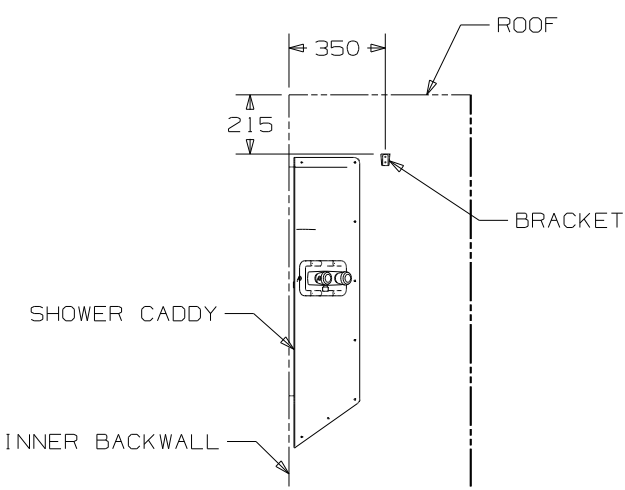
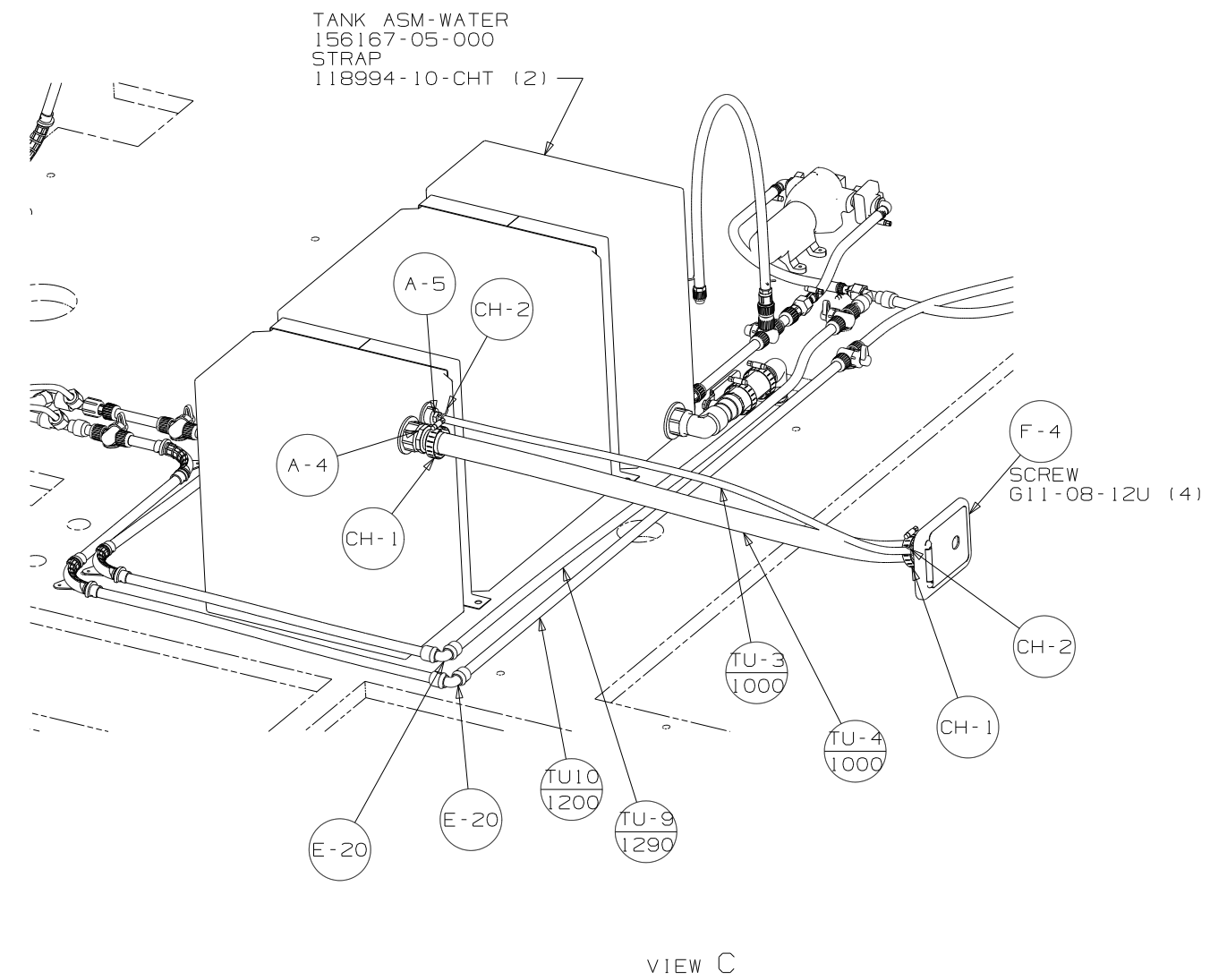
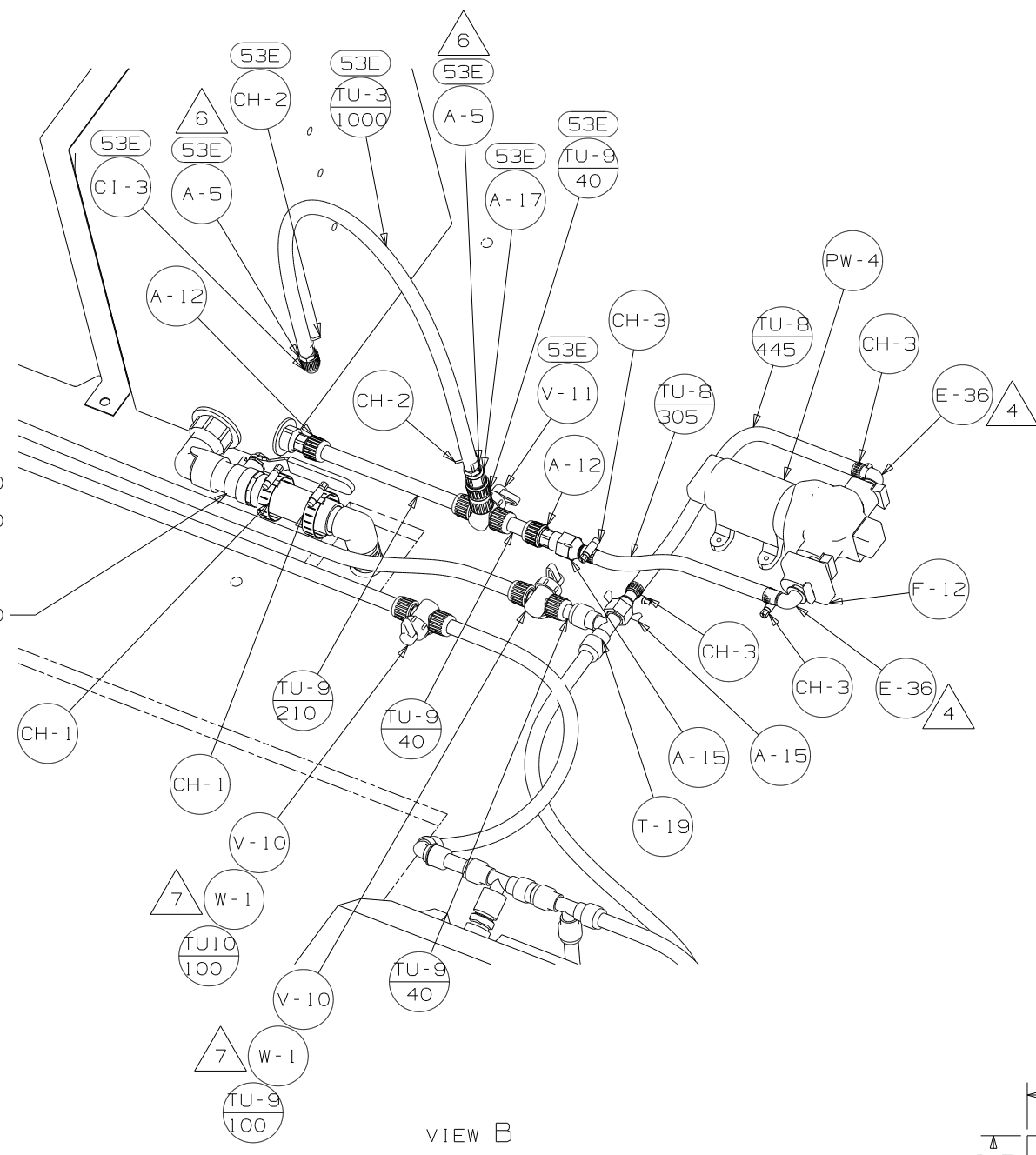
<b>WINNEBAGO</b>		COPYRIGHT 2007 WINNEBAGO INDUSTRIES, INC.	
DFT	ORIG. DATE	ALL DIMENSIONS ARE IN MILLIMETERS	
CHKR		FIRST USED	
P.E.		08 226A	
M.E.		UNSPECIFIED TOLERANCES ARE:	
DSNR		MATERIAL:	
		WHOLE DIM (X)	: 3
		ONE-PLACE (X.X)	: 1.5
		TWO-PLACE (X.XX)	: 0.50
		ANGLE	: 1°
THIRD ANGLE PROJECTION		DO NOT SCALE DRAWING	
TITLE: WATER SYSTEM INSTL			
SHEET 1 OF 3	PART NO	163868	REV

FOR  
WATER  
CALLOUTS  
SEE DWG NO  
116230-01-000





VALVE  
132483-01-000  
ELBOW  
132484-01-000  
TUBE  
74462-01-000  
(100)  
ELBOW  
132781-01-000



FIRST USED	08 226A		
TITLE	DO NOT SCALE DRAWING		
	WATER SYSTEM INSTL		
SHEET 3	PART NO	163868	REV