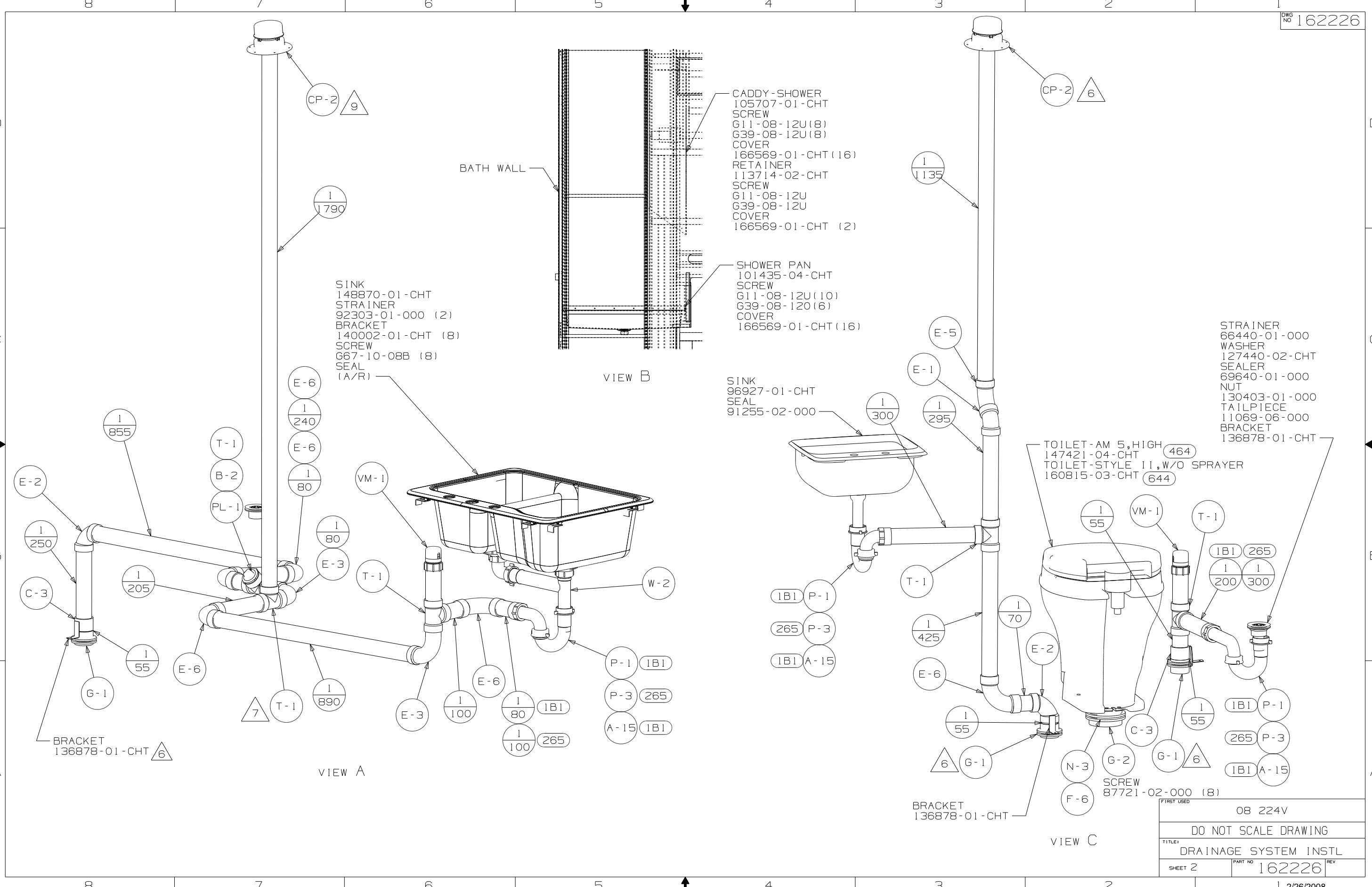


- NOTES:
1. SLOPE OF HORIZONTAL PIPING TO BE MINIMUM OF 3 PER 305 mm.
 2. SLOPE OF TRAP ARM MUST BE 6 PER 305 mm.
 3. ALL PIPE AND FITTINGS TO BE ASSEMBLED WITH SOLVENT 4020-01-000 (USA), 4020-02-000 (CAN)
 4. ALL EXTERIOR OPENINGS AROUND PIPE TO BE SEALED WITH 131264-03-000.
 5. SEAL AROUND SHOWER WITH SILICONE.
 6. VENT PIPE MUST PROJECT 51 MIN AND 64 MAX ABOVE ROOF FOR PROPER FIT AND FUNCTION. ADD S-1 (116666-01-CHT SEAL-VENT PIPE) AROUND PIPE ON ROOF BEFORE VENT CAP IS INSTALLED.
 7. SECURE VENT PIPE TO FLOOR WITH CLAMP 62401-02-000 (2), SCREW G67-10-12B (2), BRACKET 136878-01-CHT (2).
 8. SECURE DRAINAGE PIPES TO CABINET USING WIRE TIE 108046-02-000, AND SCREW G67-10-12B AT INTERVALS OF NOT MORE THAN 4 FEET APART.
 9. SEE DRAWING 61607-0-000 FOR INSTALLATION OF GROMMETS.
 10. SEE WIRING INSTL-BODY FOR ELECTRICAL CONNECTION.

- (1B1) CODES/STANDARDS USA
- (265) CODES/STANDARDS-CSA/CMVSS
- (23T) DRAINAGE SYSTEM-HEATED
- (464) TOILET

FOR DRAINAGE CALLOUTS SEE DWG NO 116229-01-000

WINNEBAGO		COPYRIGHT 2008 WINNEBAGO INDUSTRIES, INC.	
DFT	ORIG. DATE	ALL DIMENSIONS ARE IN MILLIMETERS	
CHKR		08 224V	
P.E.		UNSPECIFIED TOLERANCES ARE:	
M.E.	FIRST USED	WHOLE DIM (X)	: 3
DSNR		ONE-PLACE (X.X)	: :
		TWO-PLACE (X.XX)	: :
		ANGLE	: :
		THIRD ANGLE PROJECTION	
DO NOT SCALE DRAWING			
TITLE: DRAINAGE SYSTEM INSTL			
SHEET 1 OF 3	PART NO	162226	REV
		1 2/26/2008	



SINK
 148870-01-CHT
 STRAINER
 92303-01-000 (2)
 BRACKET
 140002-01-CHT (8)
 SCREW
 G67-10-08B (8)
 SEAL
 (A/R)

CADDY-SHOWER
 105707-01-CHT
 SCREW
 G11-08-12U(8)
 G39-08-12U(8)
 COVER
 166569-01-CHT (16)
 RETAINER
 113714-02-CHT
 SCREW
 G11-08-12U
 G39-08-12U
 COVER
 166569-01-CHT (2)

SHOWER PAN
 101435-04-CHT
 SCREW
 G11-08-12U(10)
 G39-08-12U(6)
 COVER
 166569-01-CHT (16)

SINK
 96927-01-CHT
 SEAL
 91255-02-000

STRAINER
 66440-01-000
 WASHER
 127440-02-CHT
 SEALER
 69640-01-000
 NUT
 130403-01-000
 TAILPIECE
 11069-06-000
 BRACKET
 136878-01-CHT

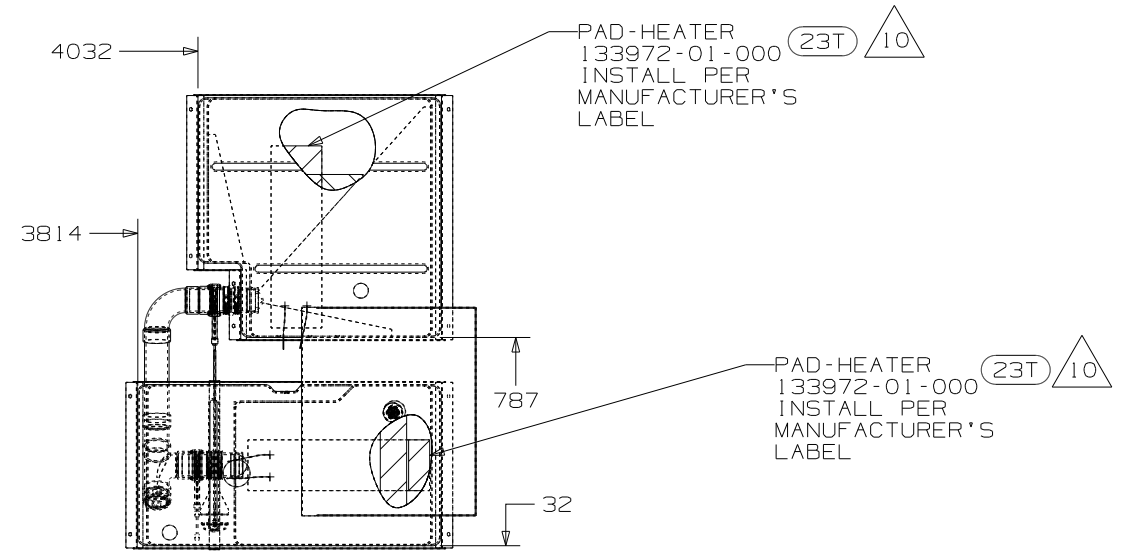
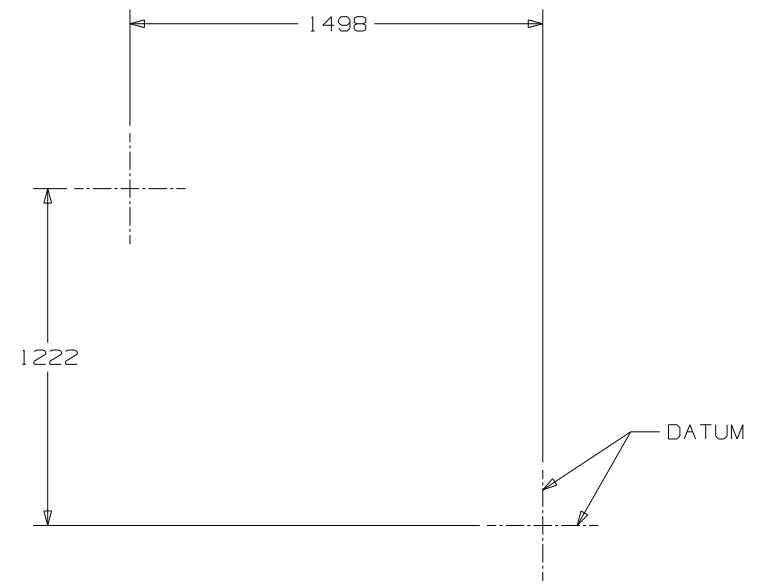
TOILET-AM 5, HIGH
 147421-04-CHT (464)
 TOILET-STYLE 11, W/O SPRAYER
 160815-03-CHT (644)

VIEW B

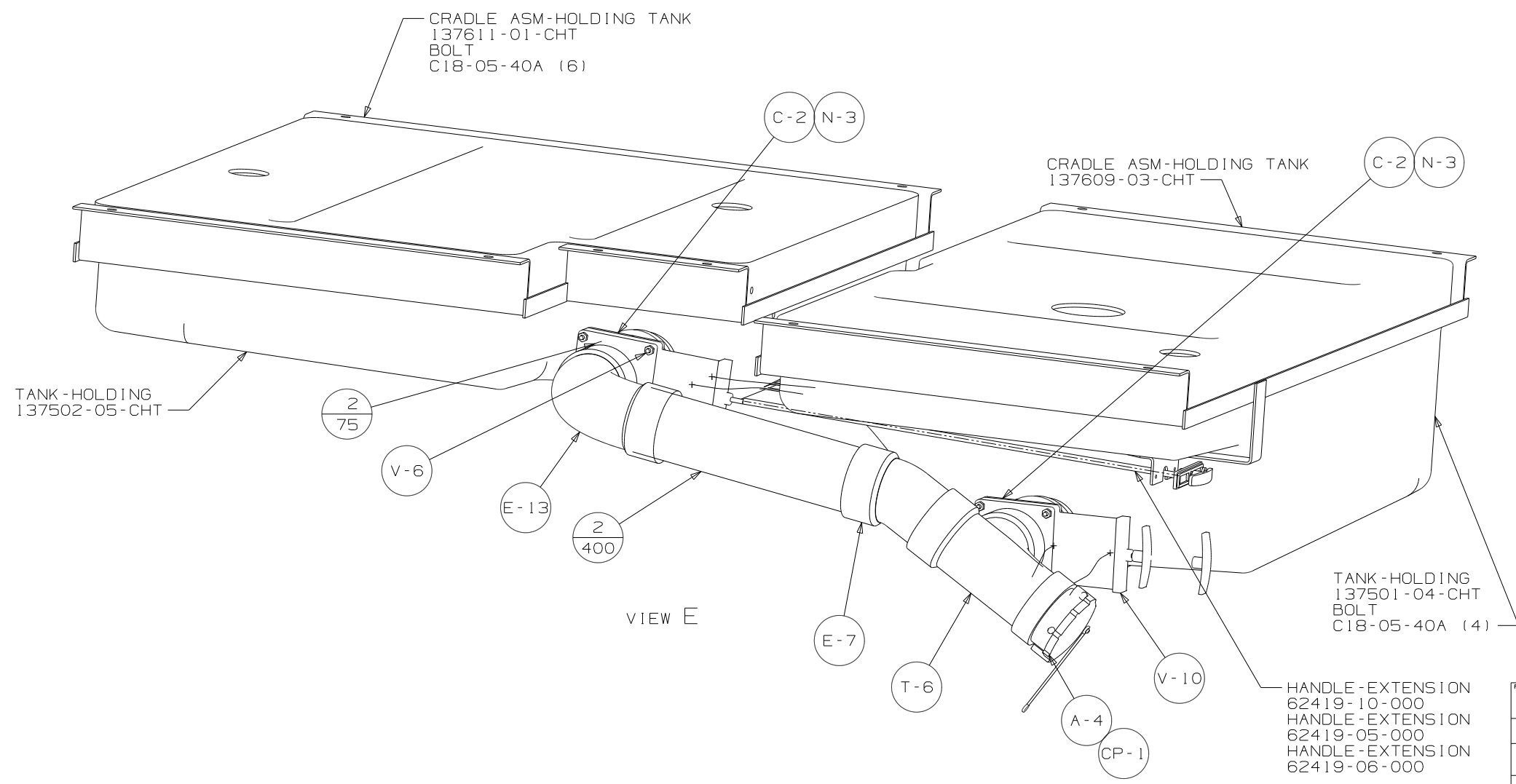
VIEW A

VIEW C

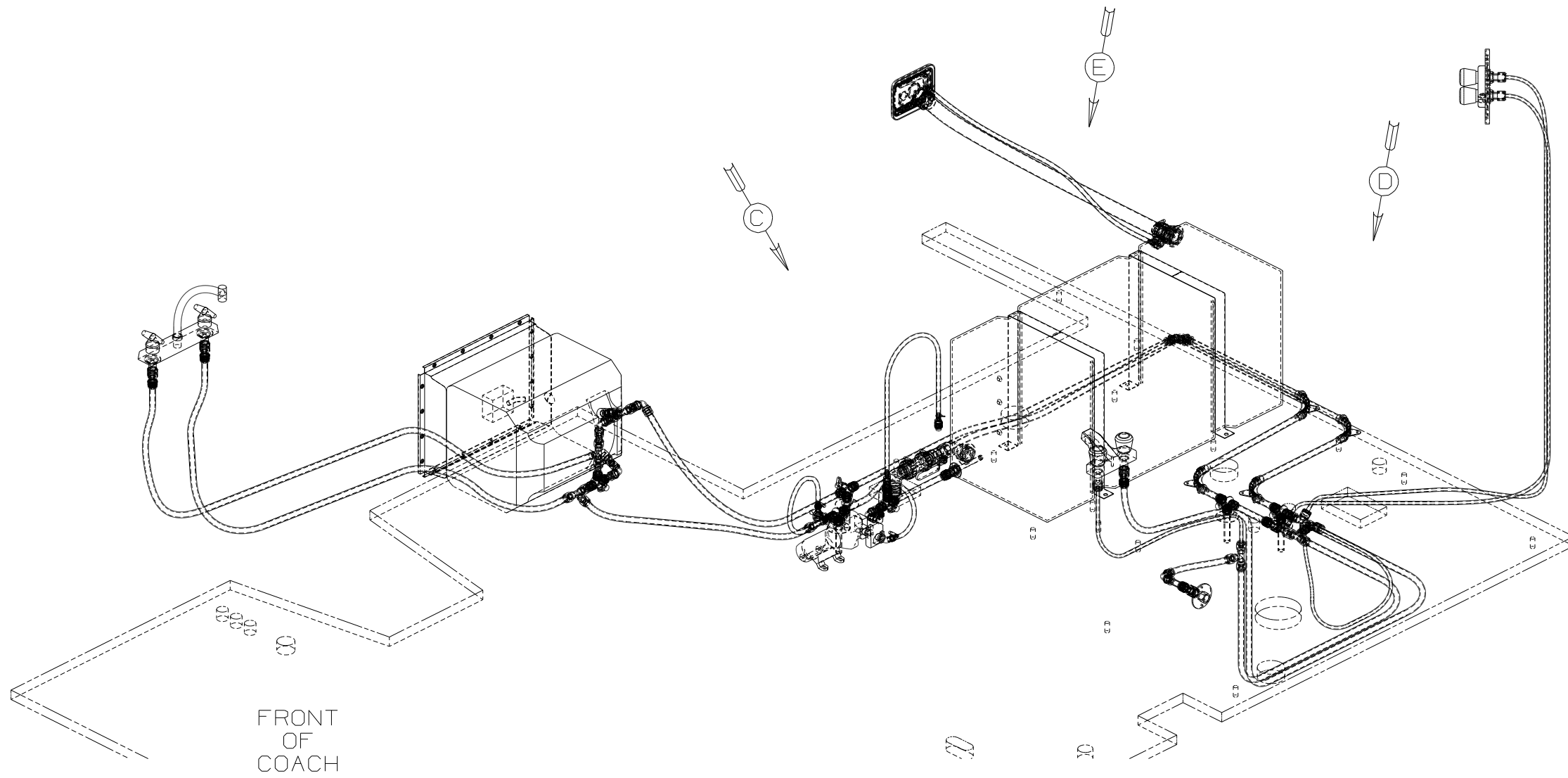
FIRST USED		08 224V	
DO NOT SCALE DRAWING			
TITLE: DRAINAGE SYSTEM INSTL			
SHEET 2	PART NO	162226	REV



VIEW D



FIRST USED	08 224V	
TITLE	DO NOT SCALE DRAWING	
	DRAINAGE SYSTEM INSTL	
SHEET 3	PART NO 162226	REV



- 11 ADD PIPE WRAP (LADDER SCRAP) INSULATION HERE OR USE CARPET PAD (SCRAP) 75233-06-000.
 - 10 LABEL THE HOT AND COLD SUPPLY TUBES.
 - 9 TAPE FITTING TO TUBE BEFORE CABINET SET TO PREVENT FITTING FROM MOVING.
 - 8 ATTACH WASHER-PLASTIC 87080-13-CHT WITH TAPE-DOUBLE 123816-03-000 ON BOTTOM SIDE OF FLOOR.
 - 7 ATTACH WASHER-PLASTIC 87080-11-CHT WITH TAPE-DOUBLE 123816-03-000 ON BOTTOM SIDE OF COMPARTMENT.
 - 6 ADD TEFLON TAPE 10405-01-000.
 - 5 ADD TEFLON TAPE 10405-03-000.
 - 4 ADD TEFLON TAPE 10405-02-000.
3. ALL TUBING TO BE SECURED AT 1200 INTERVALS MAXIMUM WITH CLAMP 10495-01-000 OR EQUIVALENT.
 2. TUBING TO BE INSTALLED WITH SUFFICIENT SLOPE TO PROVIDE DRAINAGE TO NEAREST VALVE.
 1. PLASTIC FITTINGS TO BE SEALED WITH SEALANT 84456-01-000.

- 53E WATER SYS WINTERIZATION PKG
- 53F WATER HEATER-6 GAL-ELEC IGN
- 08P INTERIOR UPGRADE - WITHOUT
- 086 INTERIOR UPGRADE PACKAGE

WINNEBAGO		COPYRIGHT 2007 WINNEBAGO INDUSTRIES, INC.	
DFT	ORIG. DATE	ALL DIMENSIONS ARE IN MILLIMETERS	
CHKR		FIRST USED	
P.E.		08 224V	
M.E.		UNSPECIFIED TOLERANCES ARE:	
DSNR		MATERIAL:	
		WHOLE DIM (X) :	3
		ONE-PLACE (X.X) :	
		TWO-PLACE (X.XX) :	
		ANGLE :	
THIRD ANGLE PROJECTION			
DO NOT SCALE DRAWING			
TITLE: WATER SYSTEM INSTL			
SHEET 1 OF 3	PART NO	REV	
	162231		

FOR
WATER
CALLOUTS
SEE DWG NO
116230-01-000

NOTES:

PANEL
78498-01-CHT
SCREW
G11-08-12U (4)
COVER
78500-01-CHT

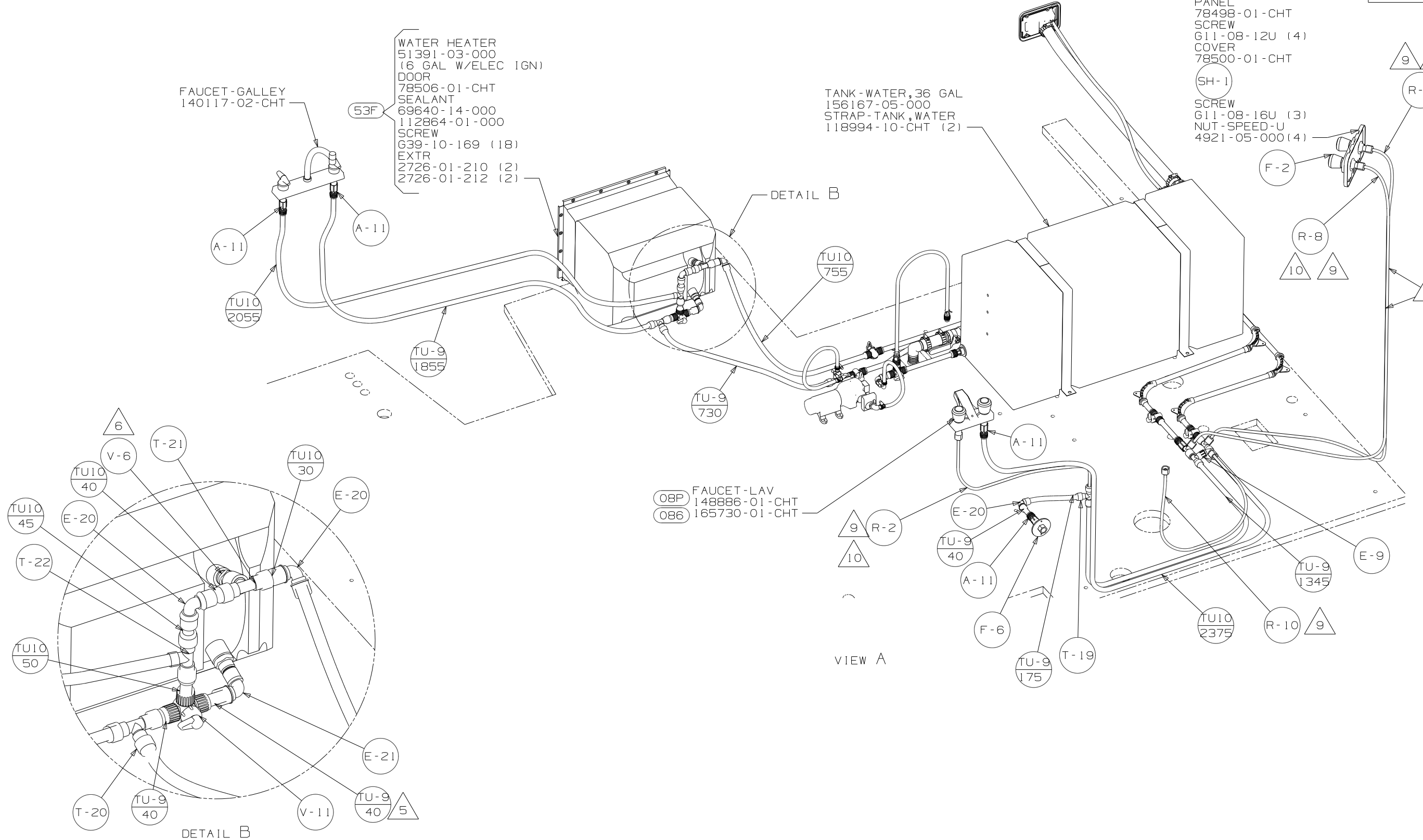
(SH-1)
SCREW
G11-08-16U (3)
NUT-SPEED-U
4921-05-000 (4)

TANK-WATER, 36 GAL
156167-05-000
STRAP-TANK, WATER
118994-10-CHT (2)

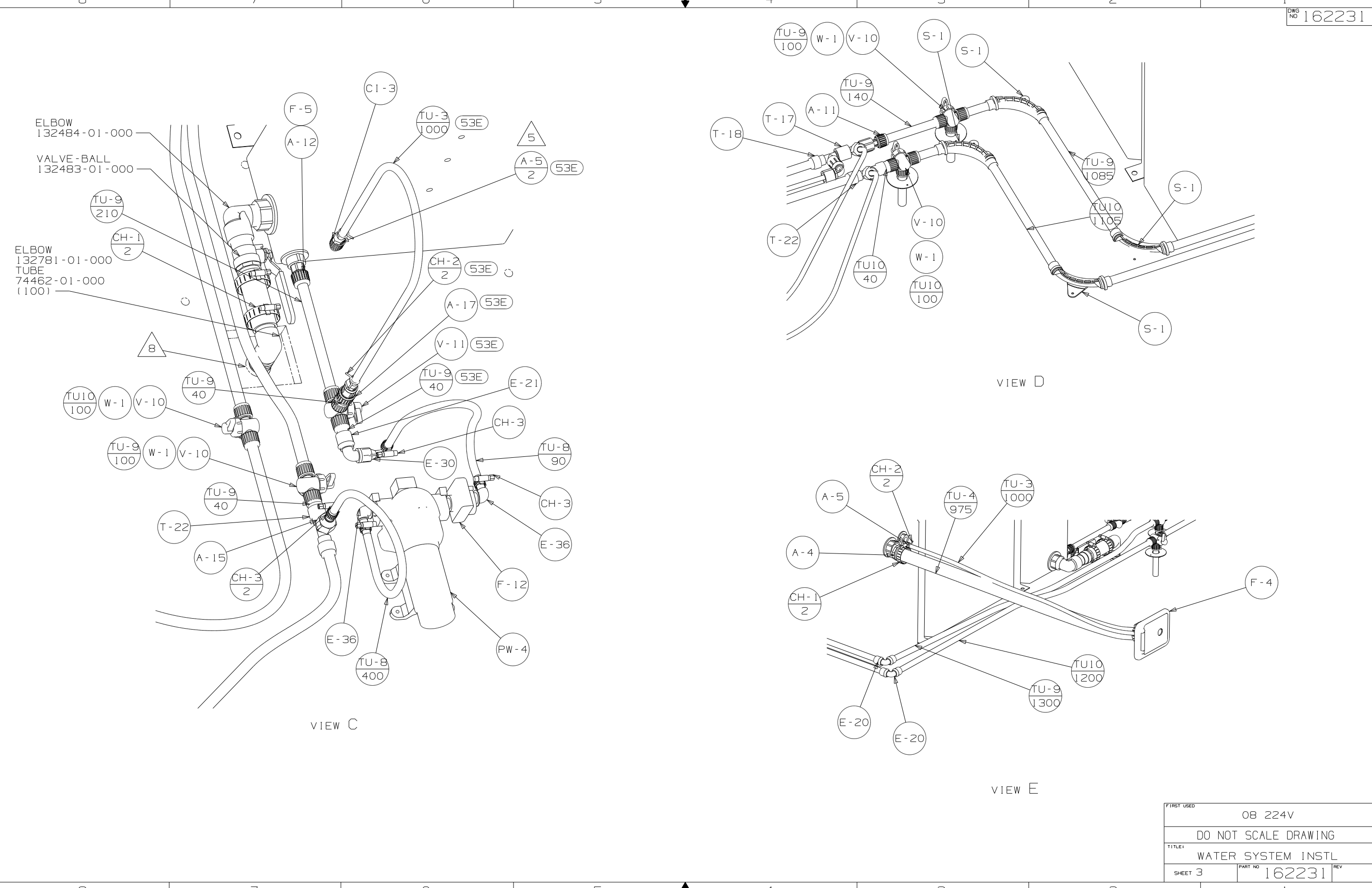
WATER HEATER
51391-03-000
(6 GAL W/ELEC IGN)
DOOR
78506-01-CHT
SEALANT
69640-14-000
112864-01-000
SCREW
G39-10-169 (18)
EXTR
2726-01-210 (2)
2726-01-212 (2)

FAUCET-GALLEY
140117-02-CHT

FAUCET-LAV
148886-01-CHT
165730-01-CHT



FIRST USED	08 224V		
TITLE	DO NOT SCALE DRAWING		
	WATER SYSTEM INSTL		
SHEET 2	PART NO	162231	REV



ELBOW
132484-01-000
VALVE-BALL
132483-01-000

ELBOW
132781-01-000
TUBE
74462-01-000
(100)

VIEW C

VIEW D

VIEW E

FIRST USED	08 224V		
DO NOT SCALE DRAWING			
TITLE:	WATER SYSTEM INSTL		
SHEET 3	PART NO	162231	REV