

8

7

6

5

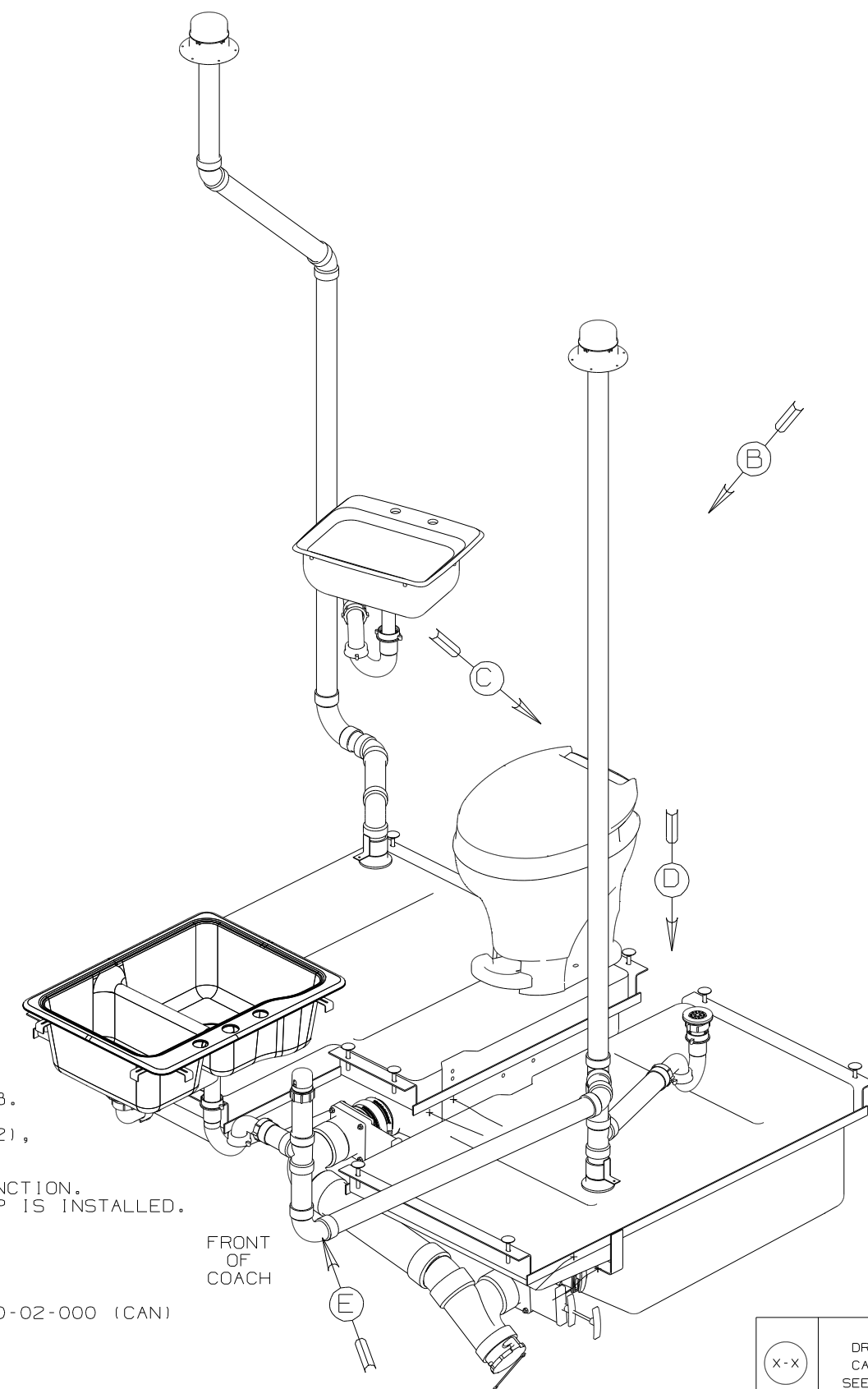
4

3

2

1

RELEASE	REV DATE	DWG NO
A		164070
REV ZONE	REVISION RECORD	DATE



- 10. POSITION WITHIN 20 MM OF TANK OUTLET.
- 9. SEE WIRING INST-BODY, 12V FOR ELECTRICAL CONNECTION.
- 8. SECURE PIPES TO CABINET USING WIRE TIE 108046-02-000, AND SCREW G67-10-12B.
- 7. SECURE VENT TUBES TO FLOOR WITH CLAMP 62401-02-000 (2), SCREW G67-10-12B (2), BRACKET 136878-01-CHT (2).
- 6. VENT PIPE MUST PROJECT 51 MIN AND 64 MAX ABOVE ROOF FOR PROPER FIT AND FUNCTION. ADD S-1 (116666-01-CHT SEAL-VENT PIPE) AROUND PIPE ON ROOF BEFORE VENT CAP IS INSTALLED.
- 5. SEAL AROUND SHOWER WITH SILICONE.
- 4. ALL EXTERIOR OPENINGS AROUND PIPE TO BE SEALED WITH 131264-03-000.
- 3. ALL PIPE AND FITTINGS TO BE ASSEMBLED WITH SOLVENT 4020-01-000 (USA), 4020-02-000 (CAN)
- 2. SLOPE OF TRAP ARM MUST BE 6 PER 305 mm.
- 1. SLOPE OF HORIZONTAL PIPING TO BE MIN 3 PER 305 mm.

- (B1) CODES/STANDARDS-USA
- (265) CODES/STDS-CSA/CMVSS
- (23T) HEATED HOLDING TANKS PACKAGE
- (464) TOILET
- (644) GREAT ALASKAN RENTAL PACKAGE

WINNEBAGO		COPYRIGHT 2008 WINNEBAGO INDUSTRIES, INC.	
DFT	ORIG. DATE	ALL DIMENSIONS ARE IN MILLIMETERS	
CHKR		FIRST USED	
P.E.		08 222B	
M.E.		UNSPECIFIED TOLERANCES ARE:	
DSNR		MATERIAL:	
		WHOLE DIM (X) :	7
		ONE-PLACE (X.X) :	
		TWO-PLACE (X.XX) :	
		ANGLE :	
		THIRD ANGLE PROJECTION	
DO NOT SCALE DRAWING			
TITLE: DRAINAGE SYSTEM INSTL			
SHEET 1 OF 3	PART NO	164070	REV

(X-X)
FOR
DRAINAGE
CALLOUTS
SEE DWG NO
116229-01-000

NOTES:

8

7

6

5

4

3

2

1

8

7

6

5

4

3

2

1

D

D

C

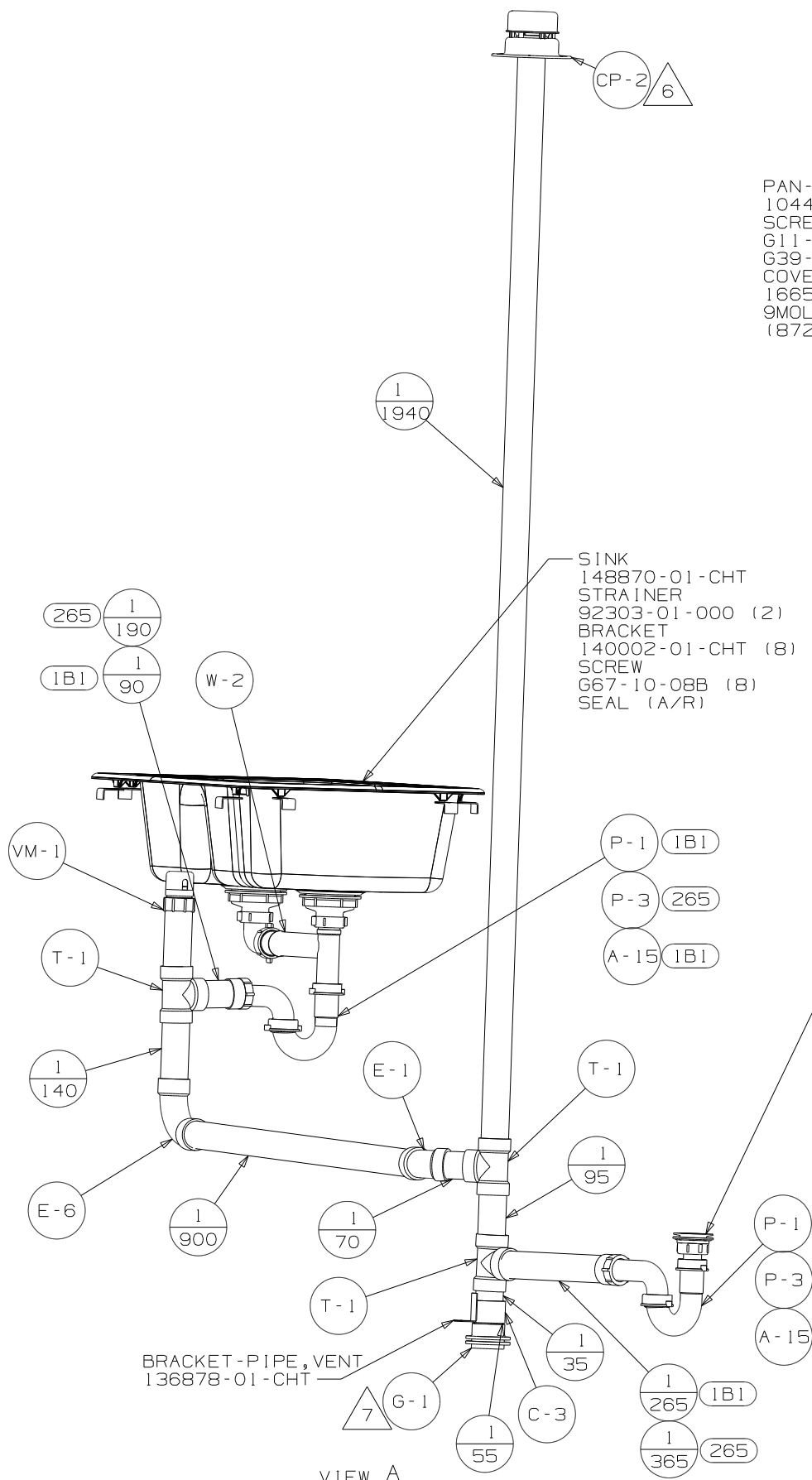
C

B

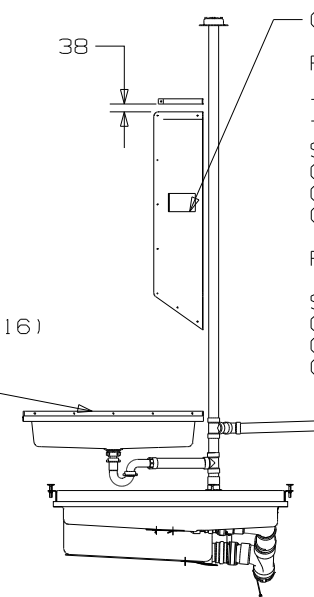
B

A

A



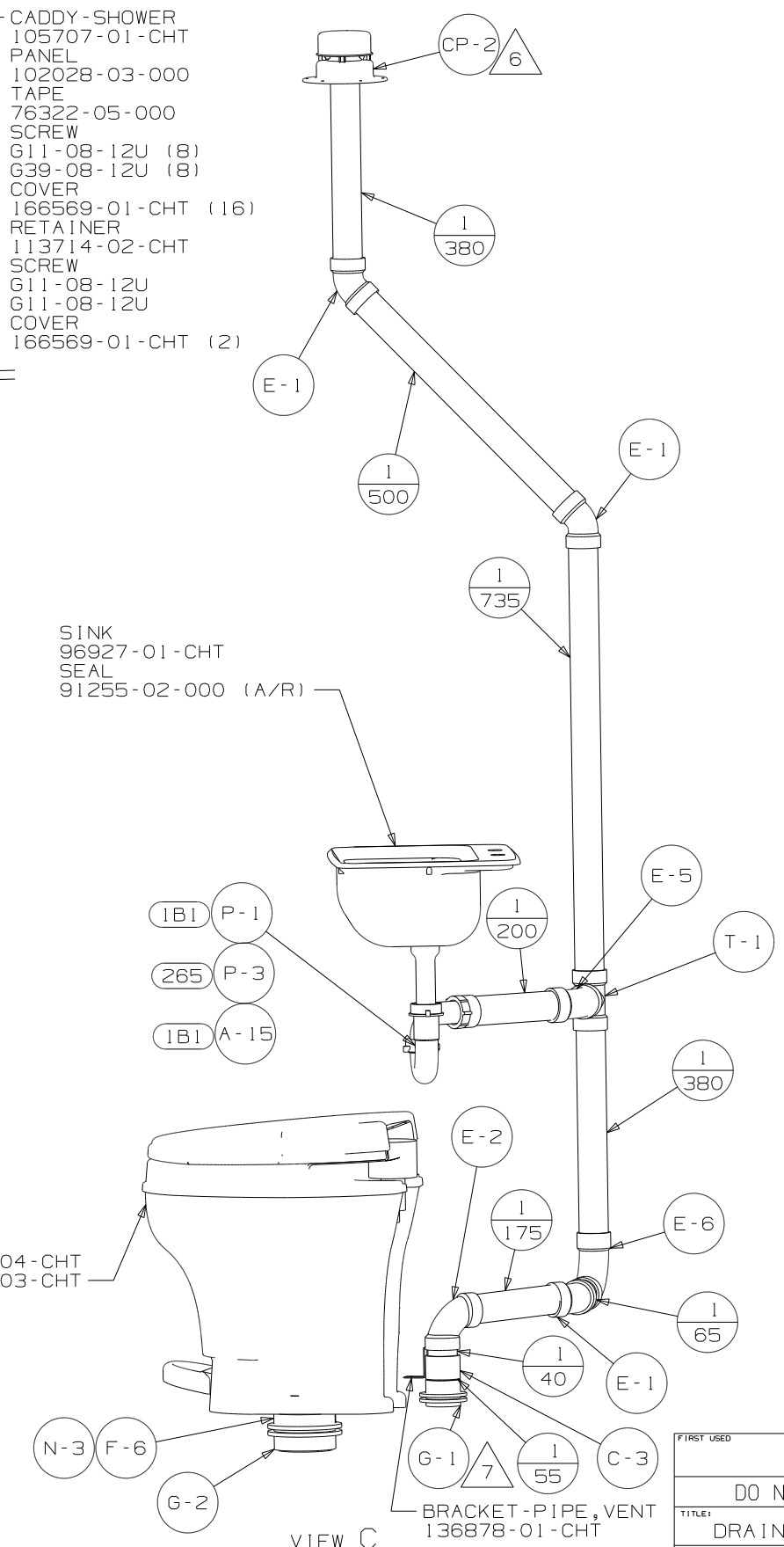
- PAN-SHOWER
104465-01-CHT
SCREW
G11-08-12U (10)
G39-08-120 (6)
COVER
166569-01-CHT (16)
9MOLD0-02-000 (872)



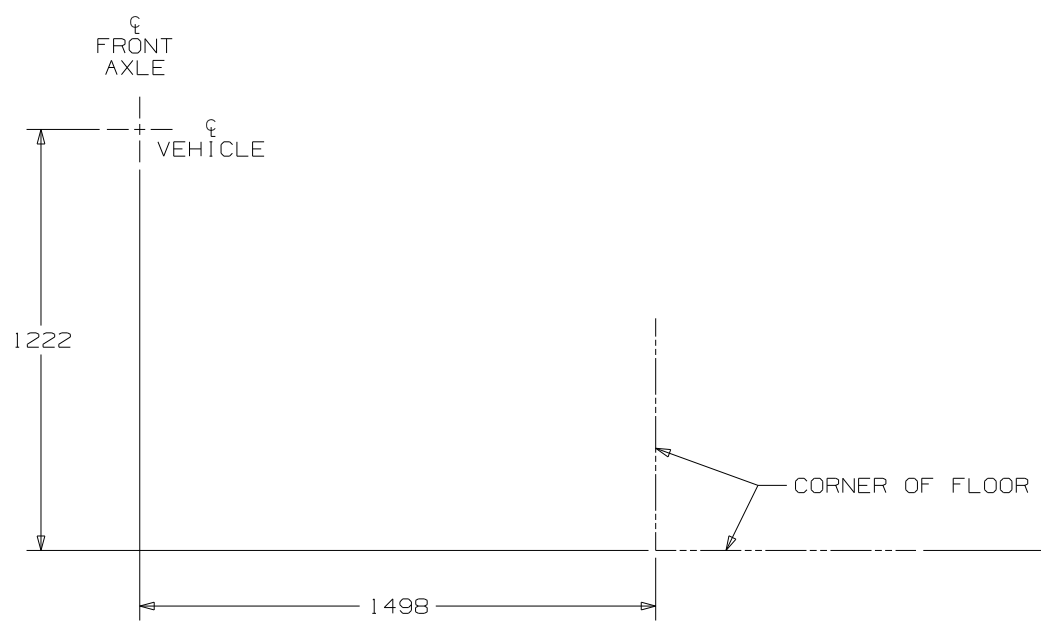
- CADDY-SHOWER
105707-01-CHT
PANEL
102028-03-000
TAPE
76322-05-000
SCREW
G11-08-12U (8)
G39-08-12U (8)
COVER
166569-01-CHT (16)
RETAINER
113714-02-CHT
SCREW
G11-08-12U
G11-08-12U
COVER
166569-01-CHT (2)

- SINK
96927-01-CHT
SEAL
91255-02-000 (A/R)

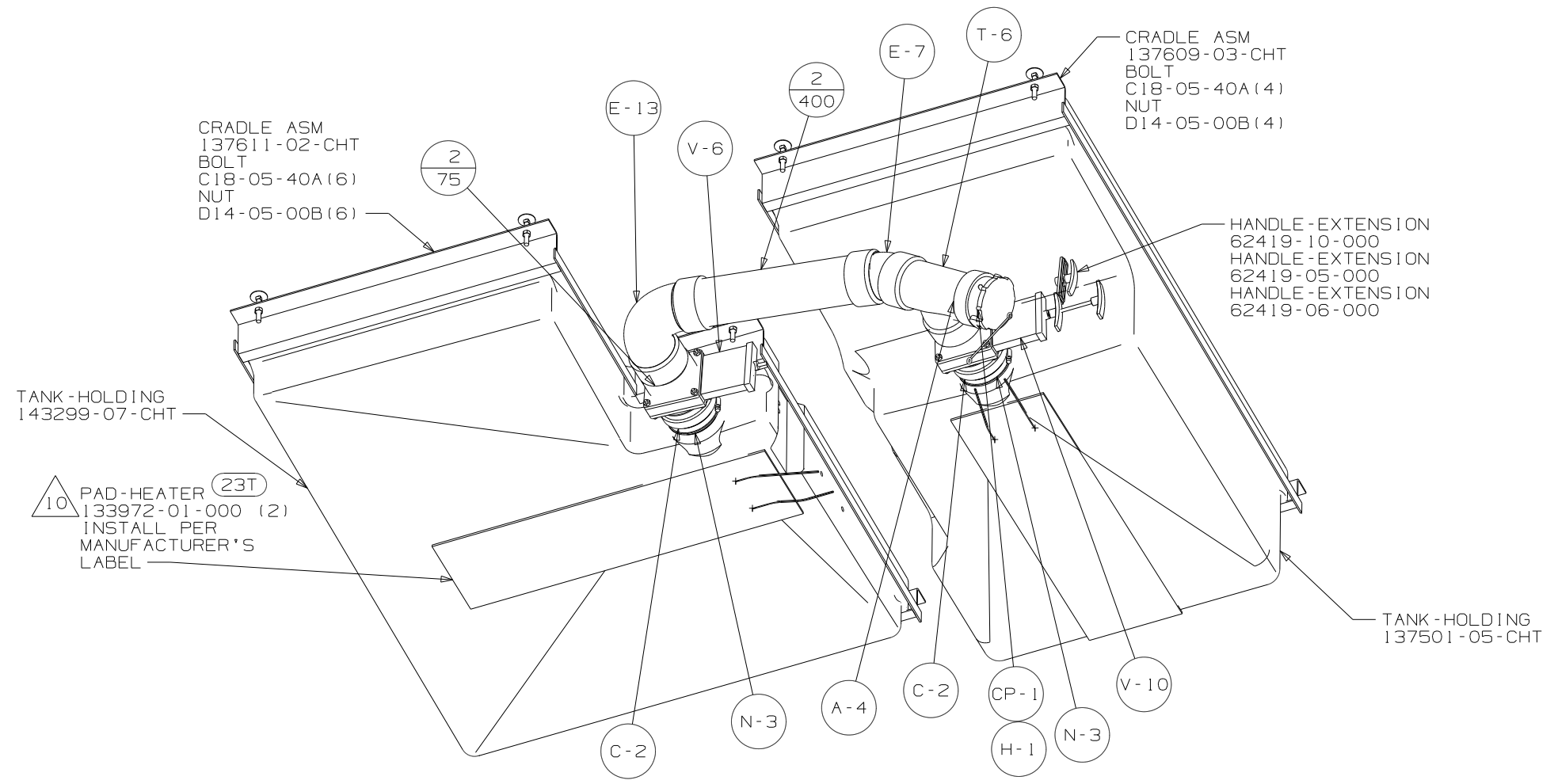
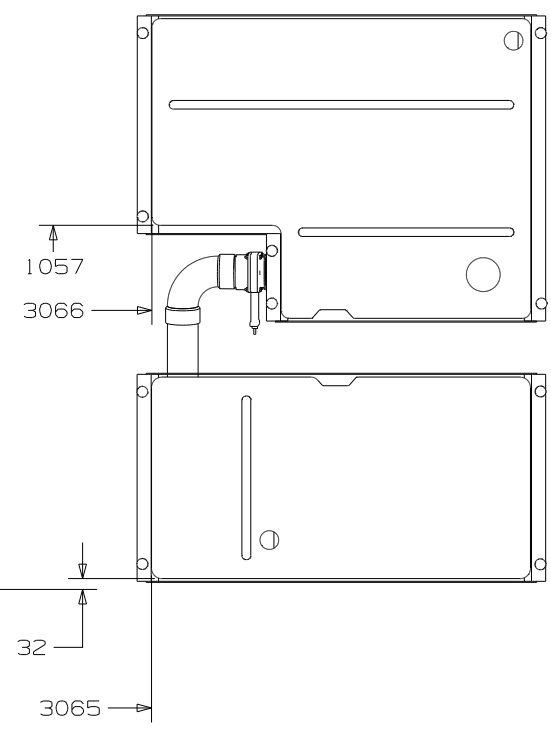
- TOILET
464 147421-04-CHT
644 160815-03-CHT



FIRST USED	08 222B	
TITLE	DRAINAGE SYSTEM INSTL	
SHEET 2	PART NO	REV
	164070	

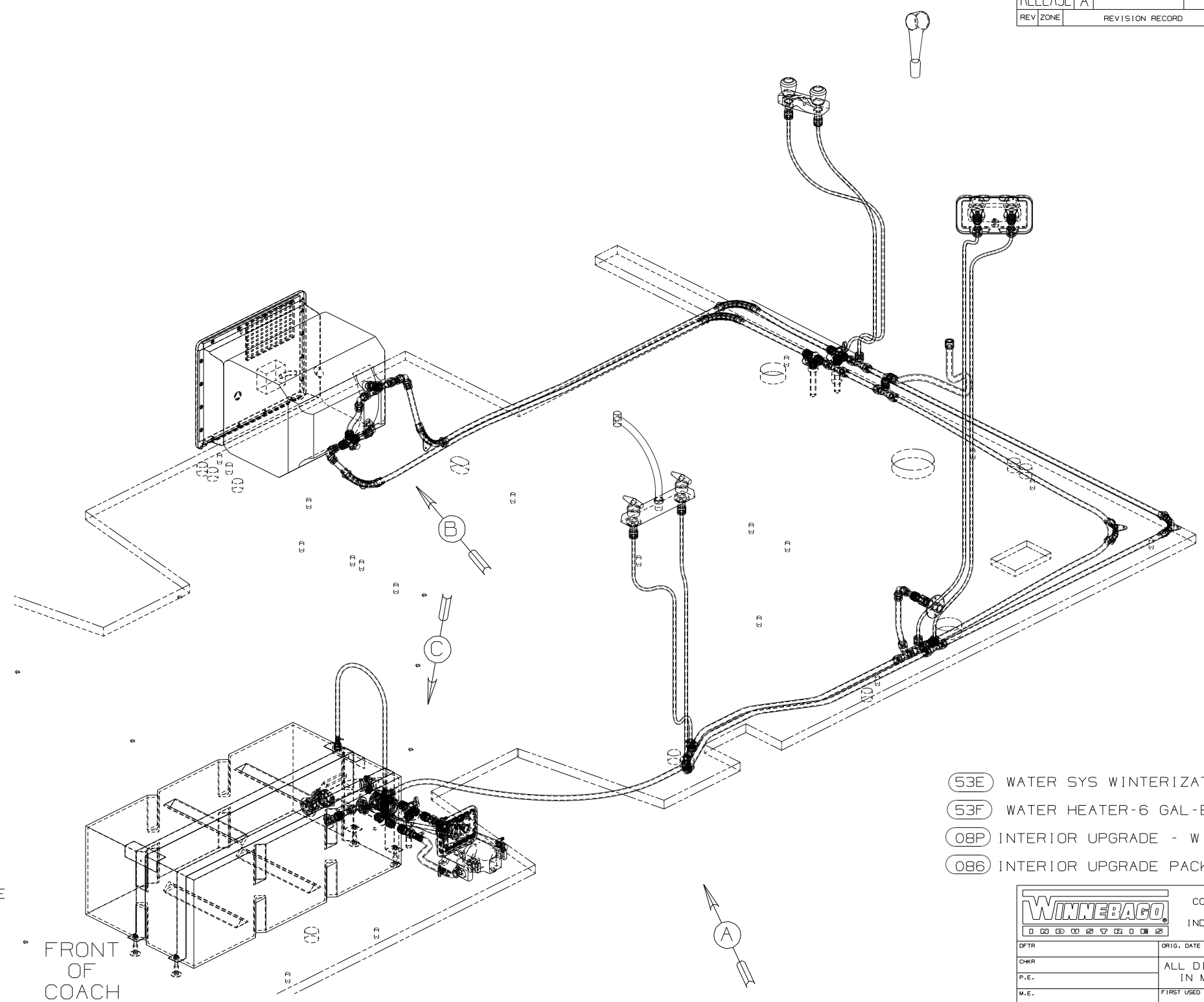


VIEW D



VIEW E

FIRST USED	08 222B	
TITLE	DO NOT SCALE DRAWING	
	DRAINAGE SYSTEM INSTL	
SHEET 3	PART NO 164070	REV



- 1. PLASTIC FITTINGS TO BE SEALED WITH SEALANT 84456-01-000.
- 2. TUBING TO BE INSTALLED WITH SUFFICIENT SLOPE TO PROVIDE DRAINAGE TO NEAREST VALVE.
- 3. ALL TUBING TO BE SECURED AT 1200 INTERVALS MAXIMUM WITH CLAMP 10495-01-000 AND SCREW G67-10-12B OR EQUIVALENT.
- 4. ADD TEFLON TAPE 10405-01-000.
- 5. ADD TEFLON TAPE 10405-02-000.
- 6. ADD TEFLON TAPE 10405-03-000.
- 7. ADD PIPE WRAP (LADDER SCRAP) INSULATION HERE.
- 8. ATTACH WASHER-PLASTIC 87080-13-CHT WITH TAPE-DOUBLE 123816-03-000 ON BOTTOM SIDE OF FLOOR.
- 9. TAPE FITTING TO TUBE BEFORE CABINET SET TO PREVENT FITTING FROM MOVING.
- 10. LABEL HOT AND COLD SUPPLY LINES.
- 11. ADD PIPE WRAP (LADDER SCRAP) INSULATION HERE; OR USE CARPET PAD (SCRAP) 75233-06-000.

- 53E WATER SYS WINTERIZATION PKG
- 53F WATER HEATER-6 GAL-ELEC IGN
- 08P INTERIOR UPGRADE - WITHOUT
- 086 INTERIOR UPGRADE PACKAGE

FRONT OF COACH

FOR WATER CALLOUTS SEE DWG NO 116230-01-000

WINNEBAGO		COPYRIGHT 2007 WINNEBAGO INDUSTRIES, INC.	
DFTR	ORIG. DATE	ALL DIMENSIONS ARE IN MILLIMETERS	
CHKR		FIRST USED	
P.E.		08 222B	
M.E.		UNSPECIFIED TOLERANCES ARE:	
DSNR		MATERIAL:	
		WHOLE DIM (X)	: 3
		ONE-PLACE (X.X)	:
		TWO-PLACE (X.XX)	:
		ANGLE	:
THIRD ANGLE PROJECTION		DO NOT SCALE DRAWING	
TITLE: WATER SYSTEM INSTL			
SHEET 1 OF 3	PART NO	164073	REV
REF:	12/11/2007		

NOTES:

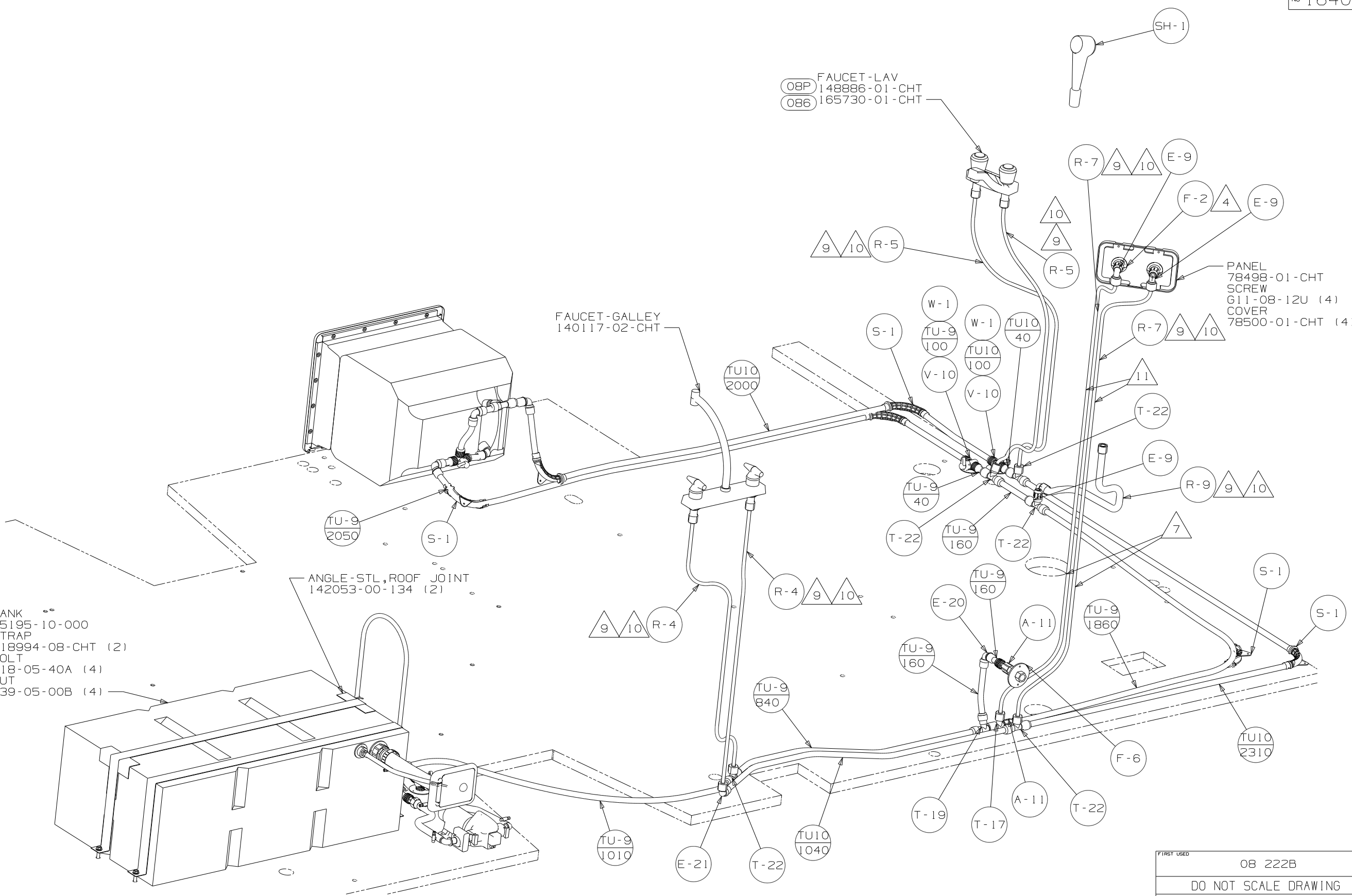
TANK
 45195-10-000
 STRAP
 118994-08-CHT (2)
 BOLT
 C18-05-40A (4)
 NUT
 D39-05-00B (4)

FAUCET-LAV
 08P 148886-01-CHT
 086 165730-01-CHT

FAUCET-GALLEY
 140117-02-CHT

ANGLE-STL,ROOF JOINT
 142053-00-134 (2)

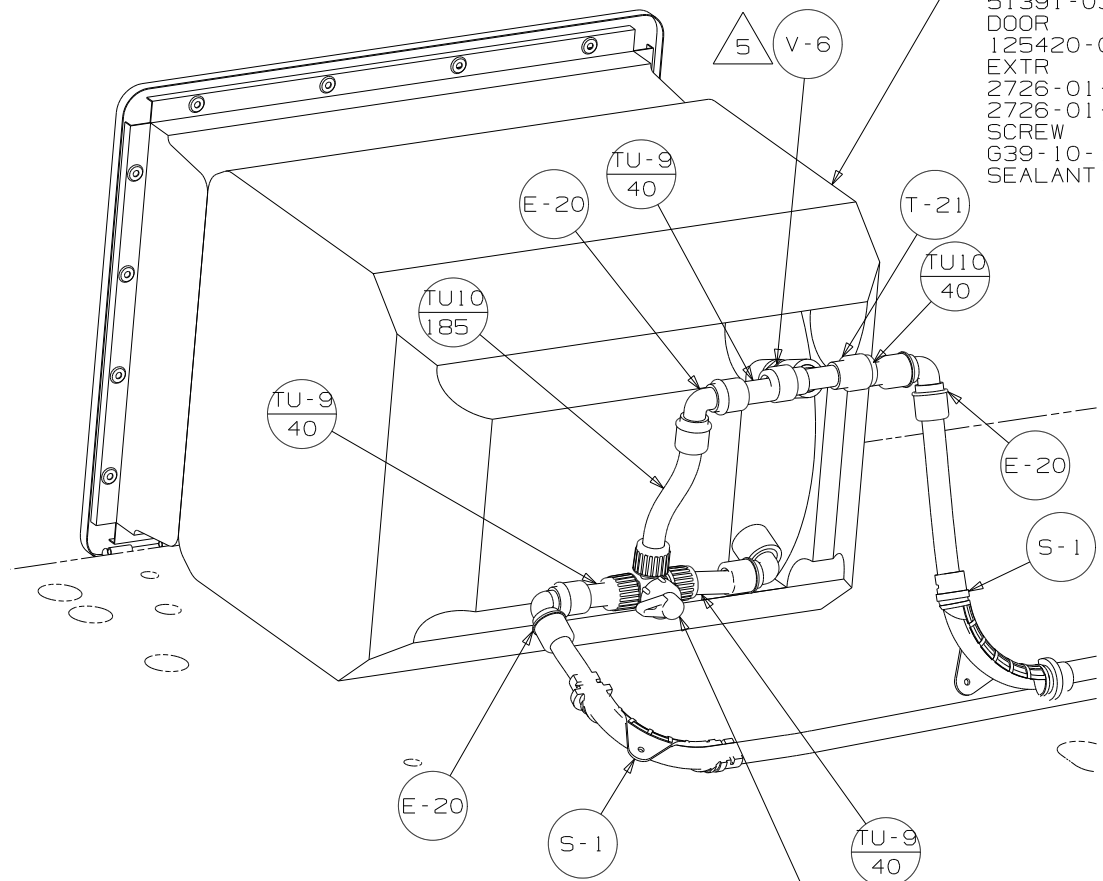
PANEL
 78498-01-CHT
 SCREW
 G11-08-12U (4)
 COVER
 78500-01-CHT (4)



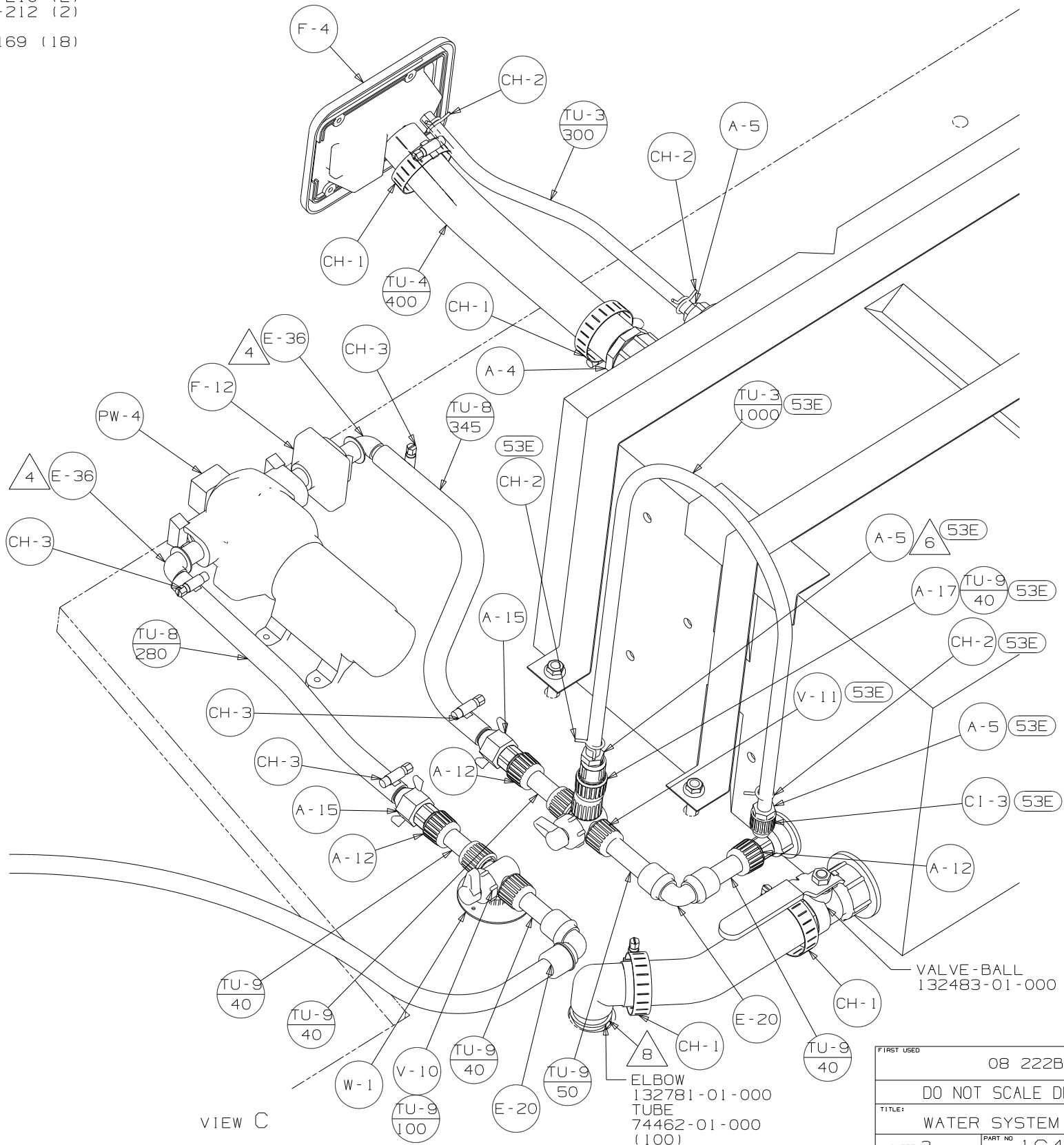
VIEW A

FIRST USED	08 222B	
TITLE:	DO NOT SCALE DRAWING	
	WATER SYSTEM INSTL	
SHEET 2	PART NO	164073 REV

WATER HEATER
 51391-03-000 (53F)
 DOOR
 125420-06-CHT
 EXTR
 2726-01-210 (2)
 2726-01-212 (2)
 SCREW
 G39-10-169 (18)
 SEALANT



VIEW B



VIEW C

FIRST USED	08 222B
TITLE	DO NOT SCALE DRAWING
WATER SYSTEM INSTL	
SHEET 3	PART NO 164073 REV