



DANGER

Danger of electrical shock, burns or death. Always remove all power sources before attempting any repair, service or diagnostic work. Power can be present from shore power, generator, inverter or battery. All power sources must be disabled and secured before performing any service.

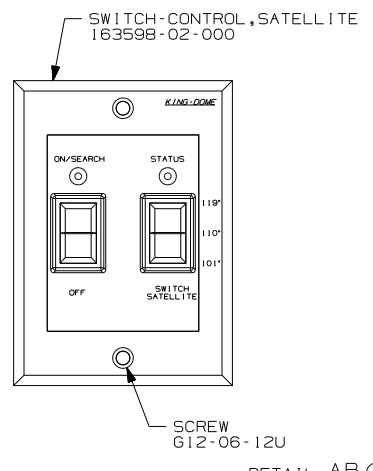
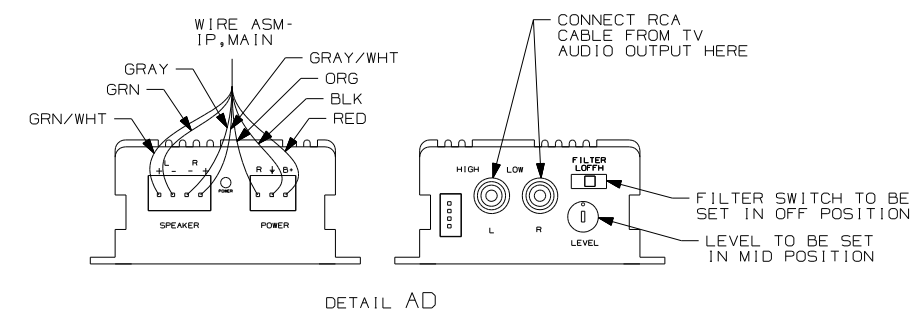
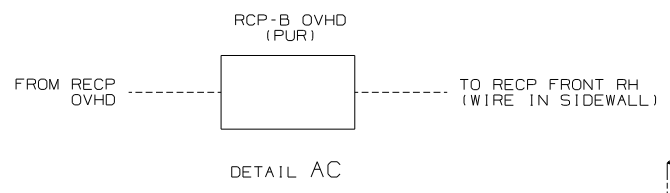
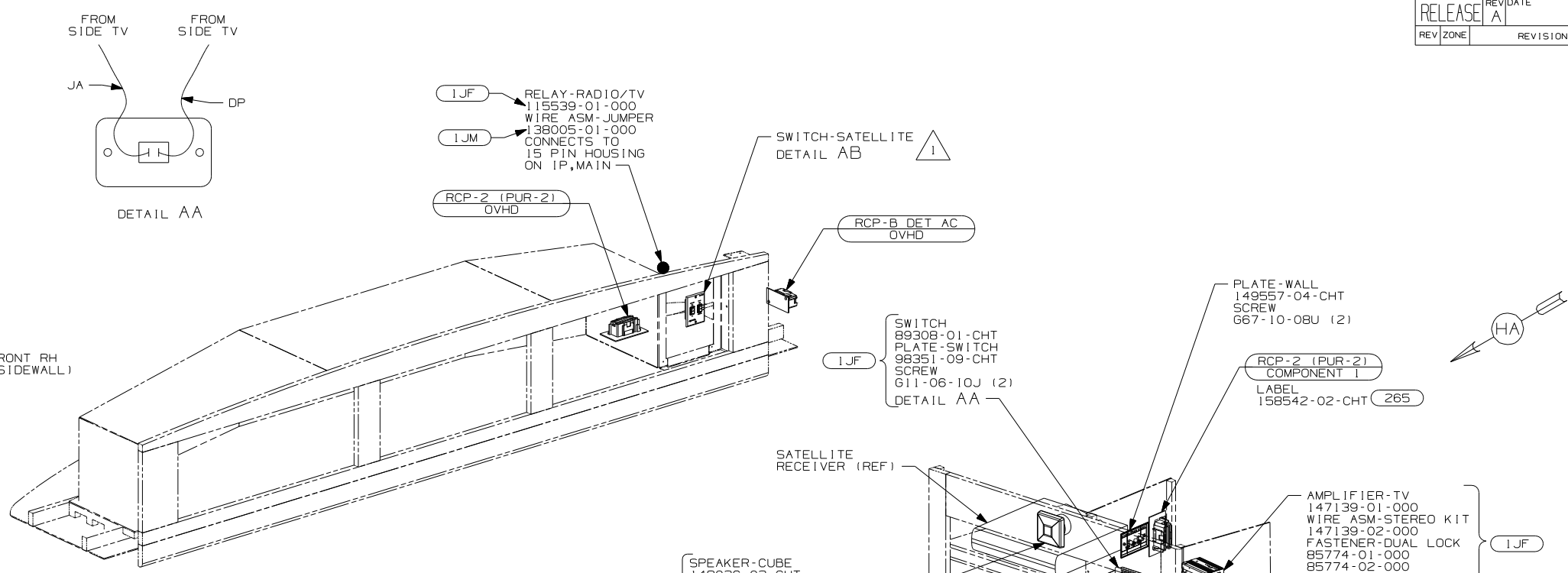


CAUTION

If you lack the skills, tools or equipment to perform diagnostic or repair work leave such work to an authorized Winnebago Industries dealer or other qualified shop.

DRAWING NO.	MODEL	SHEET
156326-01	F38J	1 & 9
156326-02	G37B	2 & 9
156326-03	G38J	3 & 9
156326-04	G38T	4 & 9
156326-05	R40FD	5 & 9
156326-06	R40TD	6 & 9
156326-07	S40FD	7 & 10
156326-08	S40TD	8 & 10

RELEASE	REV/DATE	DWG NO
	A	156326
REV ZONE	REVISION RECORD	DATE
		DFTR-0R16



- 25F DVD PLAYER 159771-01-000
- HOME THEATER SYSTEM 158836-01-000
- WIRE ASM-JUMPER, SPEAKER 153349-08-000
- FASTENER-DUAL LOCK 85774-01-000
- 85774-02-000

- 78K SATELLITE DISH-AUTOMATIC
- 42E TV-27" COLOR, STEREO W/REMOTE
- 25H DVD/VCR - WITHOUT
- 25F DIGITAL VIDEO DISC PLAYER
- 1JM HOME THEATER SOUND SYSTEM
- 1JF HOME THEATER SYS-WITHOUT
- 79H ENTERTAINMENT CTR-INTERIOR

79H F38J

WINNEBAGO COPYRIGHT 2006 WINNEBAGO INDUSTRIES, INC.

DFTR	ORIG. DATE
CHKR	ALL DIMENSIONS ARE IN MILLIMETERS
P.E.	FIRST USED
M.E.	07 A-BODIES
DSNR	

UNSPECIFIED TOLERANCES ARE: MATERIAL:

WHOLE DIM (X) :
ONE-PLACE (X.X) :
TWO-PLACE (X.XX) :
ANGLE :

THIRD ANGLE PROJECTION

DO NOT SCALE DRAWING

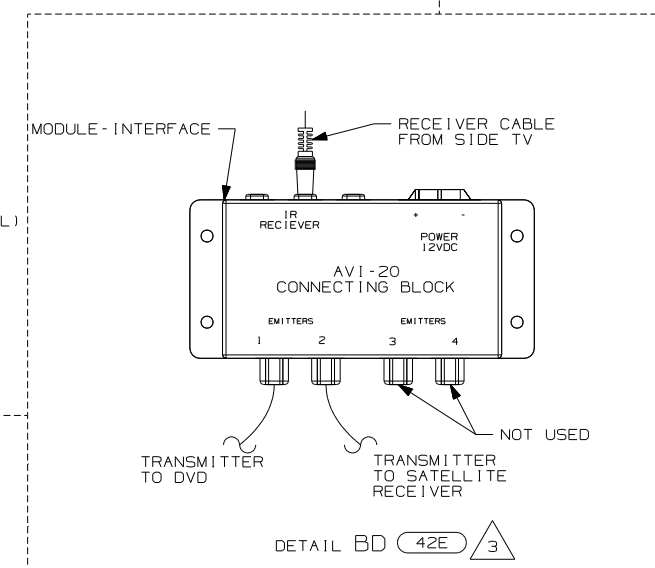
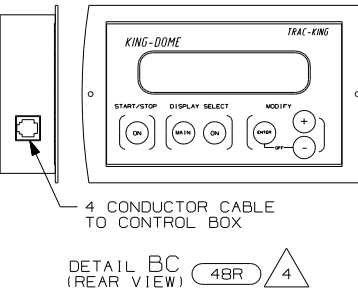
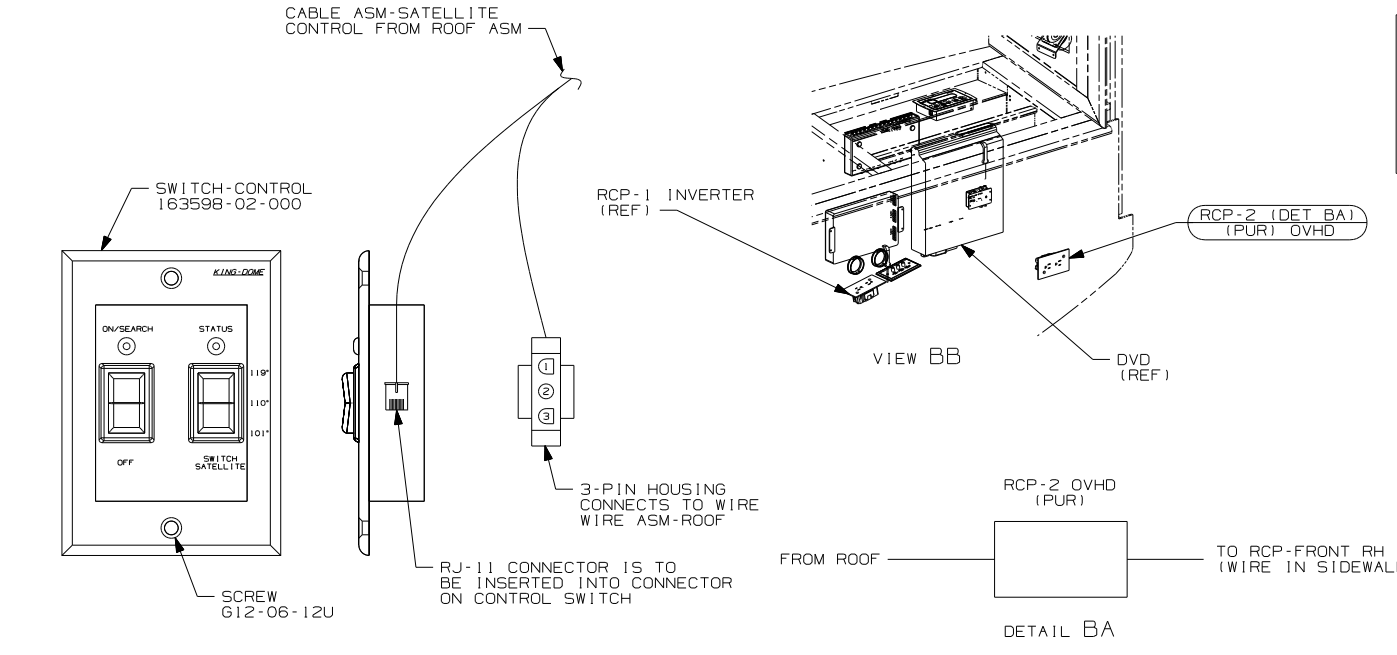
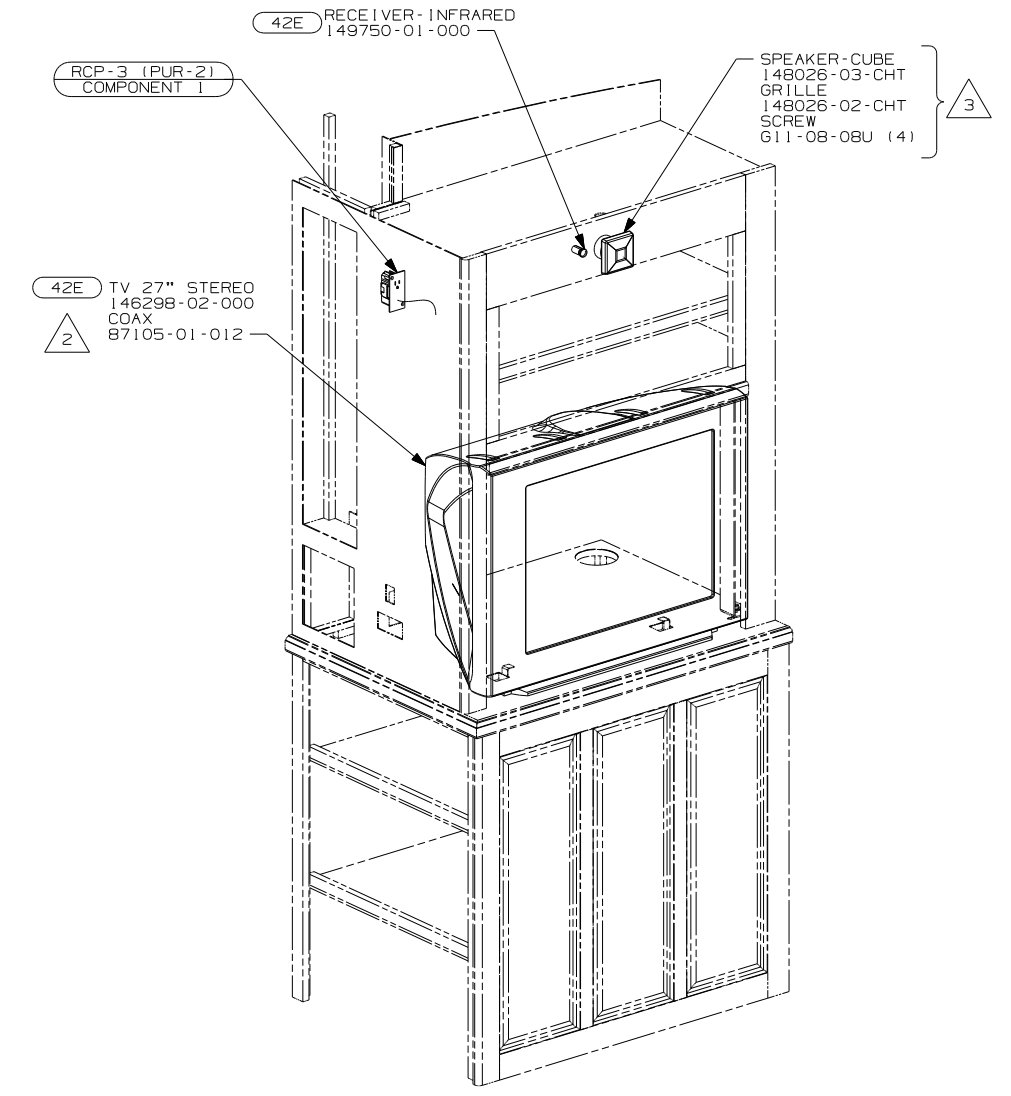
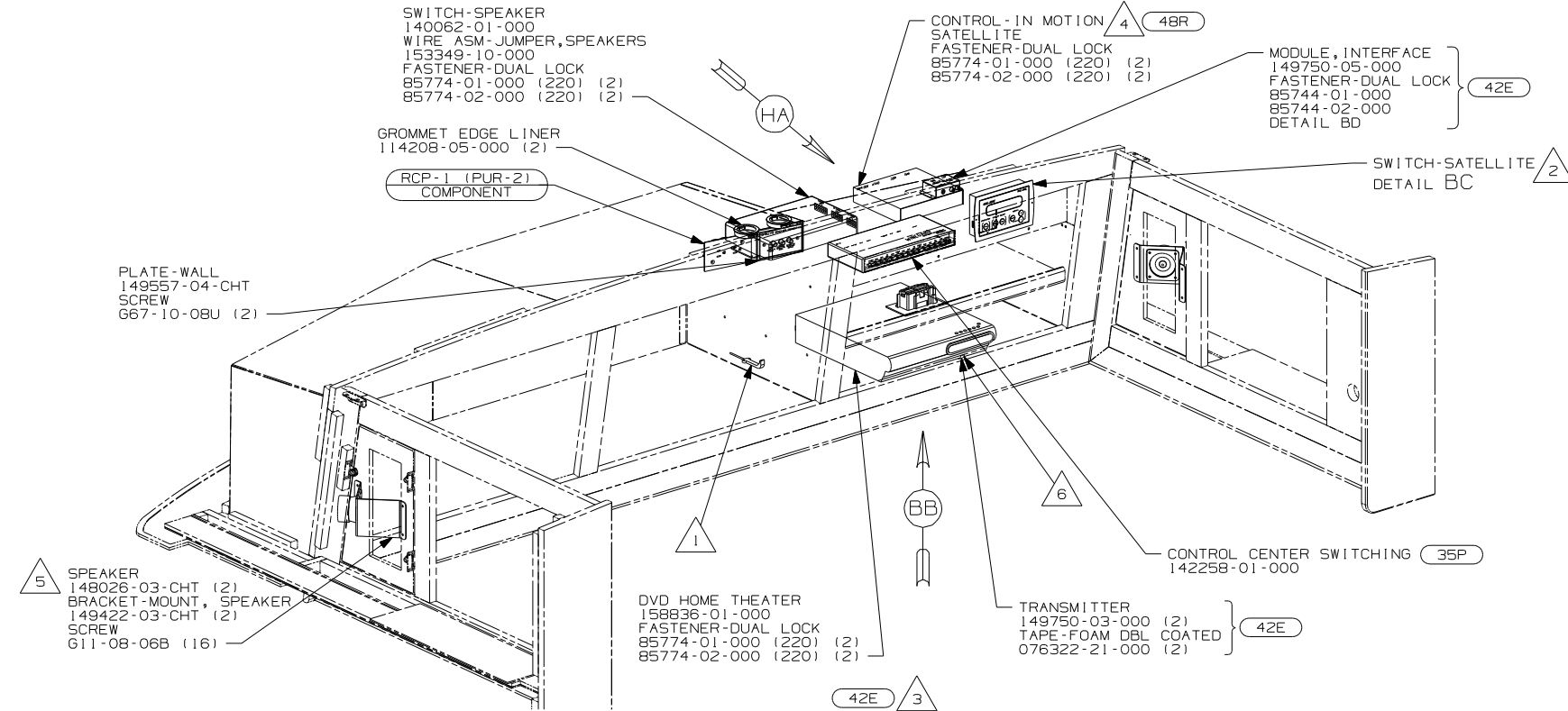
TITLE: WIRING INSTL-TV/DVD, SIDE

SHEET 1 OF 10 PART NO 156326 REV

NOTES: 1 SEE ROOF ASM FOR ADDITIONAL INFORMATION.

FOR ELECTRICAL TORQUE SPECIFICATIONS SEE DWG NO. 128783-01-000

FOR ELECTRICAL CALLOUTS SEE DWG NO. 121339-01-000



NOTES:

3 NOT USED IF OPTION 42N IS USED WITH 42E. SEE WIRING INSTL-TV/DVD,FRONT FOR ADDITIONAL INFORMATION.

2 SEE WIRING ROOF ASM FOR ADDITIONAL INFORMATION.

1 POSITION TRANSMITTER IN THE CORNER OF THE SHELF & COIL.

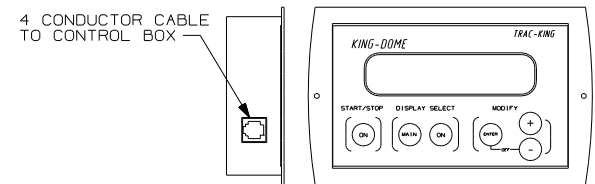
6 POSITION THE TRANSMITTER 90mm FROM THE RIGHT SIDE OF THE DVD PLAYER, CENTERED OVER IR RECEIVER.

5 MOUNT SPEAKER & BRACKET TO REMOVEABLE SPEAKER COVER ON SIDE OF OVHD CABT.

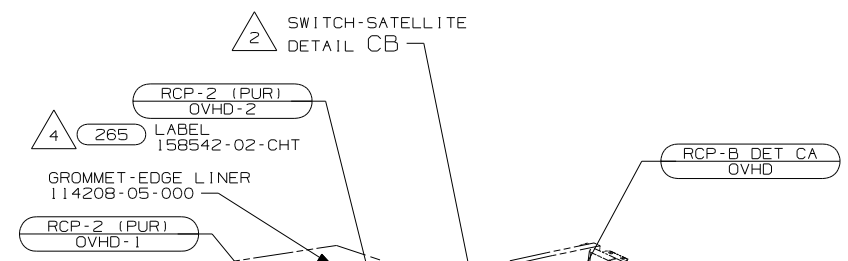
4 PARTS ARE SUPPLIED WITH SATELLITE KIT 154474-02-000

- 78K SATELLITE DISH-AUTOMATIC
- 48R SAT SYS IN-MOTION W/O RCVR
- 42N TV(FRONT)-27" COLOR STEREO
- 42E TV-27" COLOR,STEREO W/REMOTE
- 35P VIDEO SELECTION SYSTEM

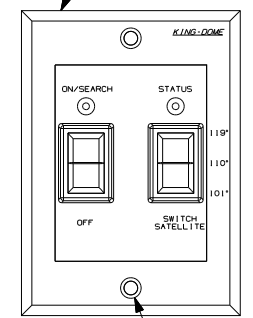
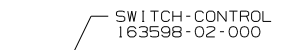
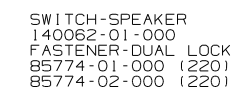
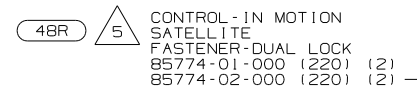
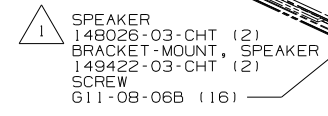
FIRST USED		G37B	
07 A-BODIES			
DO NOT SCALE DRAWING			
TITLE: WIRING INSTL-TV/DVD,SIDE			
SHEET 2	PART NO	156326	REV



DETAIL CB 48R 3

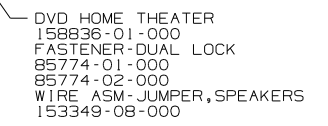
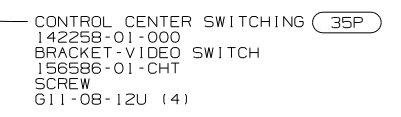
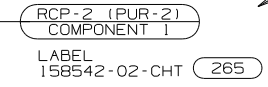
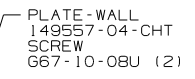
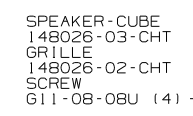
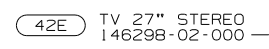
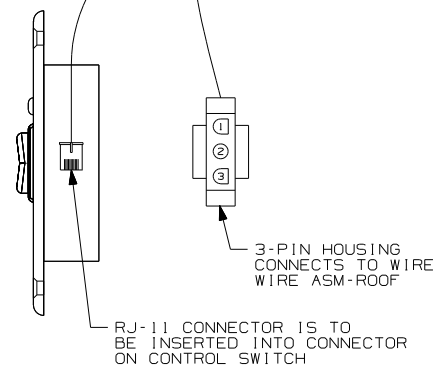


DETAIL CA



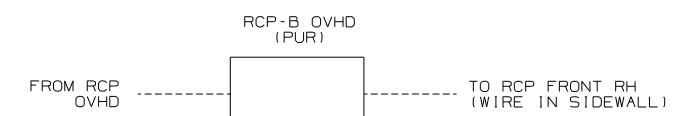
SCREW G12-06-12U

DETAIL CB 78K



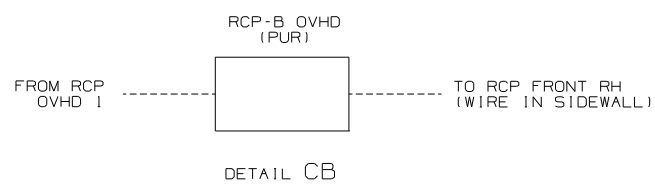
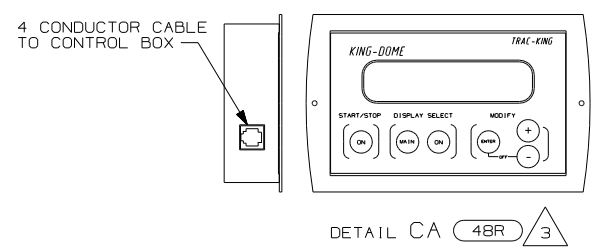
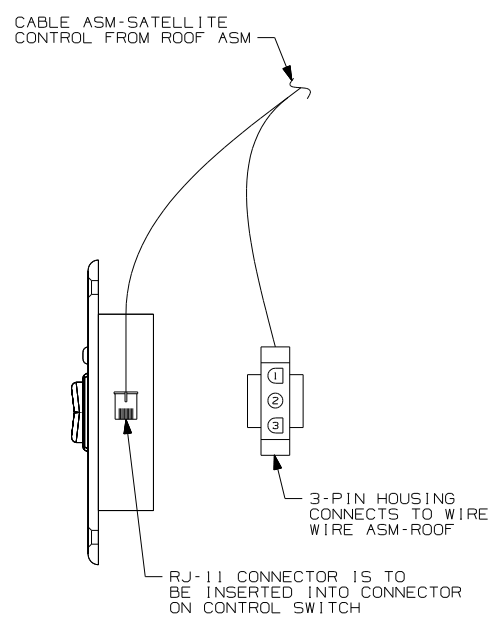
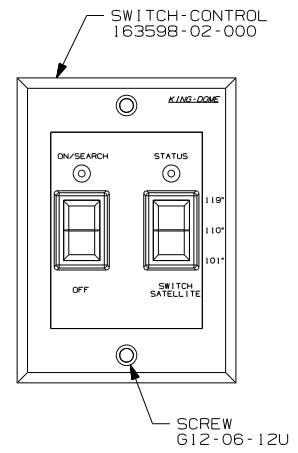
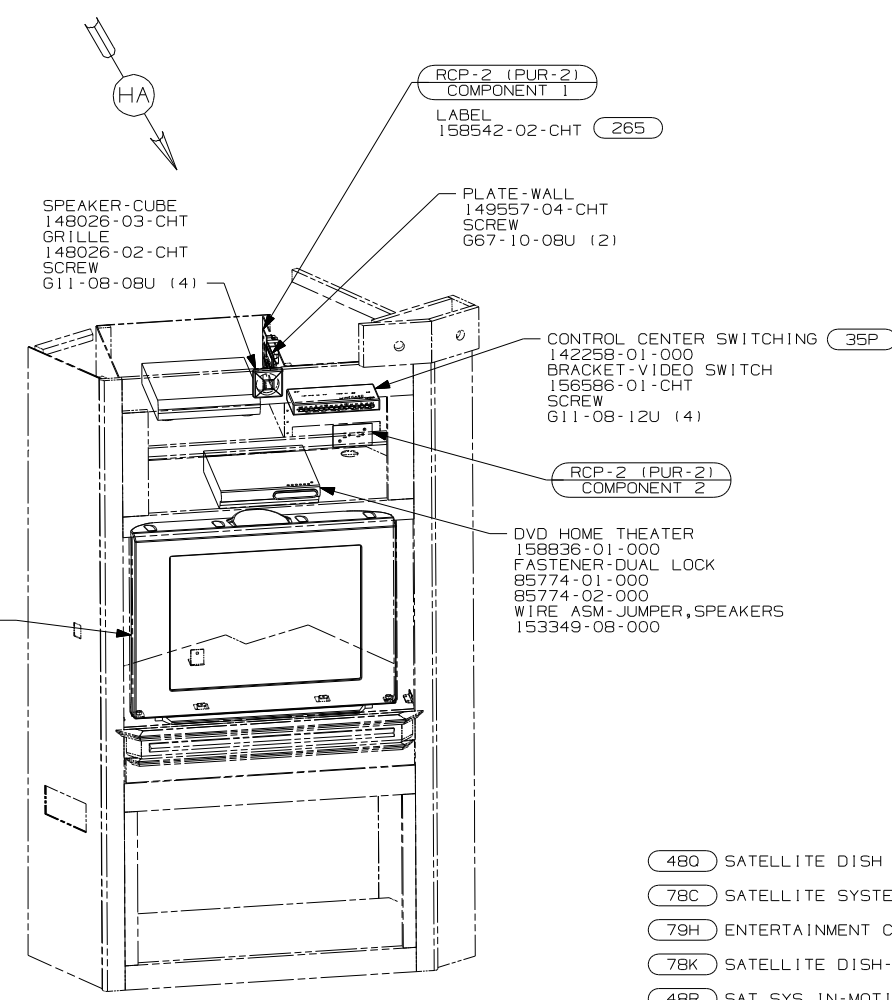
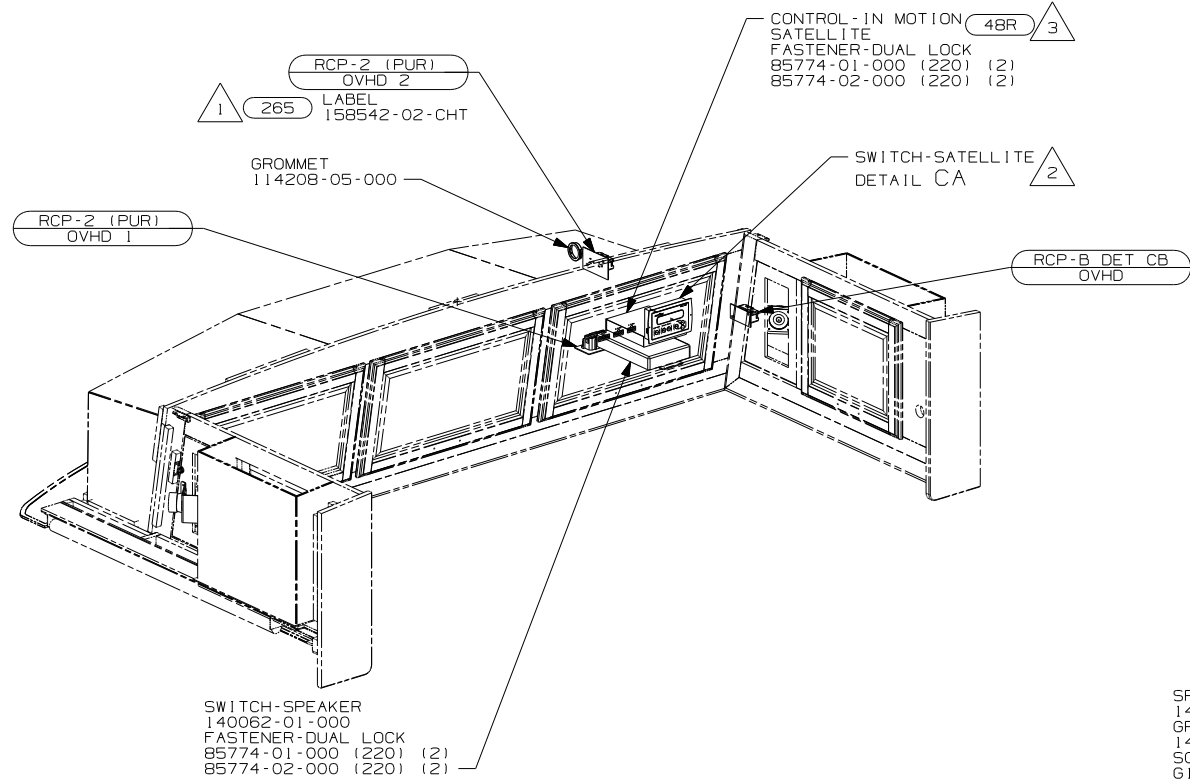
- 480) SATELLITE DISH & ELEV.SENSOR
- 78C) SATELLITE SYSTEM READY
- 78K) SATELLITE DISH-AUTOMATIC
- 48R) SAT SYS IN-MOTION W/O RCVR
- 42E) TV-27" COLOR,STEREO W/REMOTE
- 35P) VIDEO SELECTION SYSTEM
- 79H) ENTERTAINMENT CTR-INTERIOR

- 4 ONLY WITH 78C) OR 48Q) OR 78K) NOT USED WITH 48R)
- 3 PARTS ARE SUPPLIED WITH SATELLITE KIT 154474-02-000.
- 2 SEE ROOF ASM FOR ADDITIONAL INFORMATION.
- 1 MOUNT SPEAKER & BRACKET TO REMOVABLE SPEAKER COVER ON SIDE OF OVHD CABINET



DETAIL CA

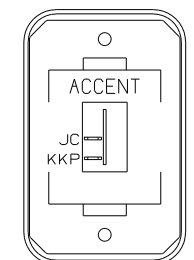
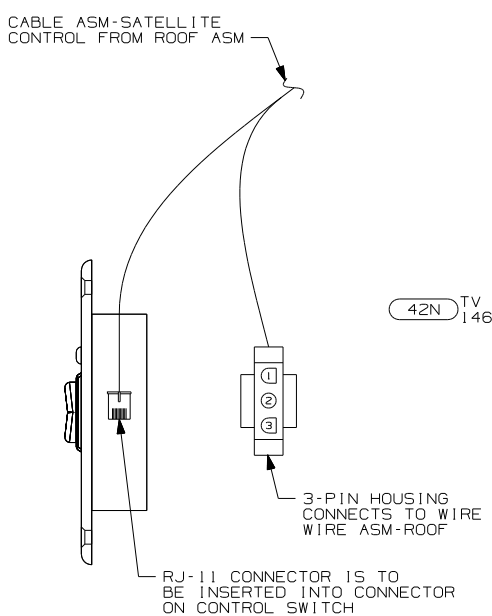
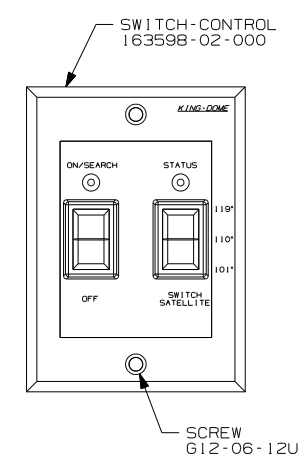
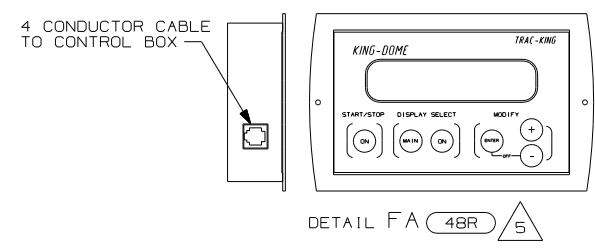
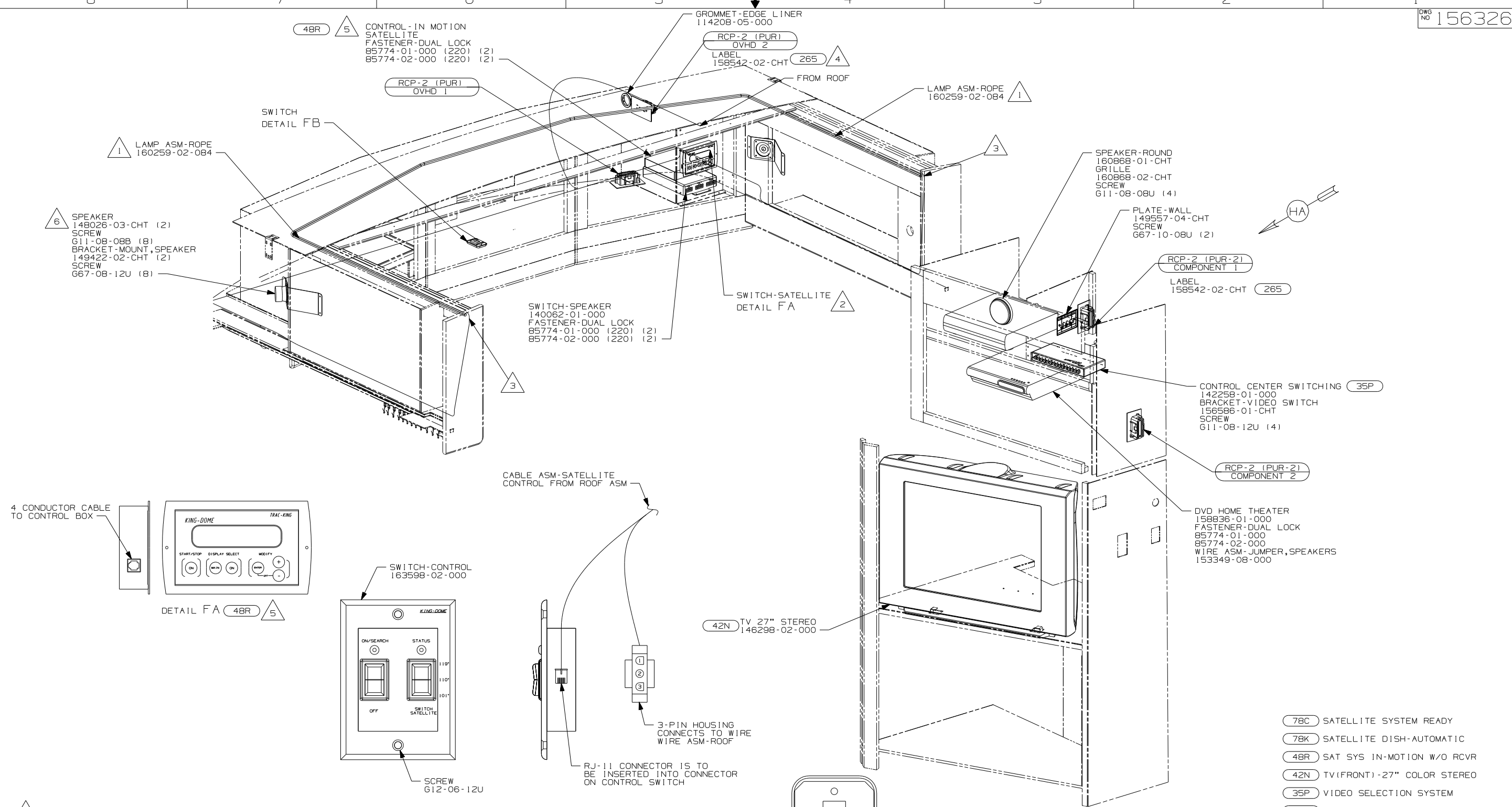
FIRST USED		07 A-BODIES	
DO NOT SCALE DRAWING			
TITLE: WIRING INSTL-TV/DVD, SIDE			
SHEET 3	PART NO	156326	REV



- (480) SATELLITE DISH & ELEV.SENSOR
- (78C) SATELLITE SYSTEM READY
- (79H) ENTERTAINMENT CTR-INTERIOR
- (78K) SATELLITE DISH-AUTOMATIC
- (48R) SAT SYS IN-MOTION W/O RCVR
- (42E) TV-27" COLOR,STEREO W/REMOTE
- (35P) VIDEO SELECTION SYSTEM

- NOTES:
- △ 4 ONLY WITH (78C) OR (480) OR (78K)
NOT USED WITH (48R)
 - △ 3 PARTS ARE SUPPLIED WITH SATELLITE KIT 154474-02-000.
 - △ 2 SEE WIRING INSTALLATION-BODY,12V FOR ADDITIONAL INFORMATION.
 - △ 1 SWITCH SUPPLIED WITH SATELLITE DISH.

FIRST USED		G38T	
07 A-BODIES			
DO NOT SCALE DRAWING			
TITLE: WIRING INSTL-TV/DVD,SIDE			
SHEET 4	PART NO	156326	REV



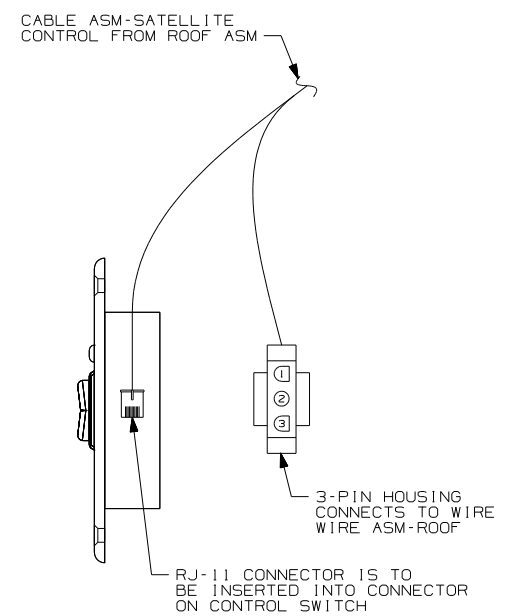
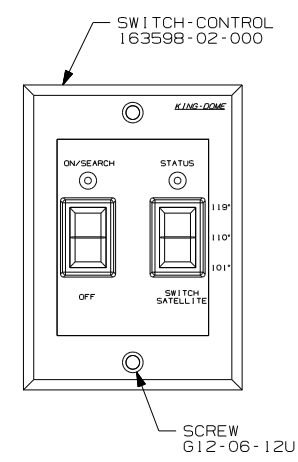
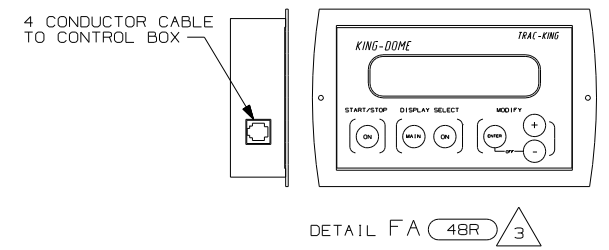
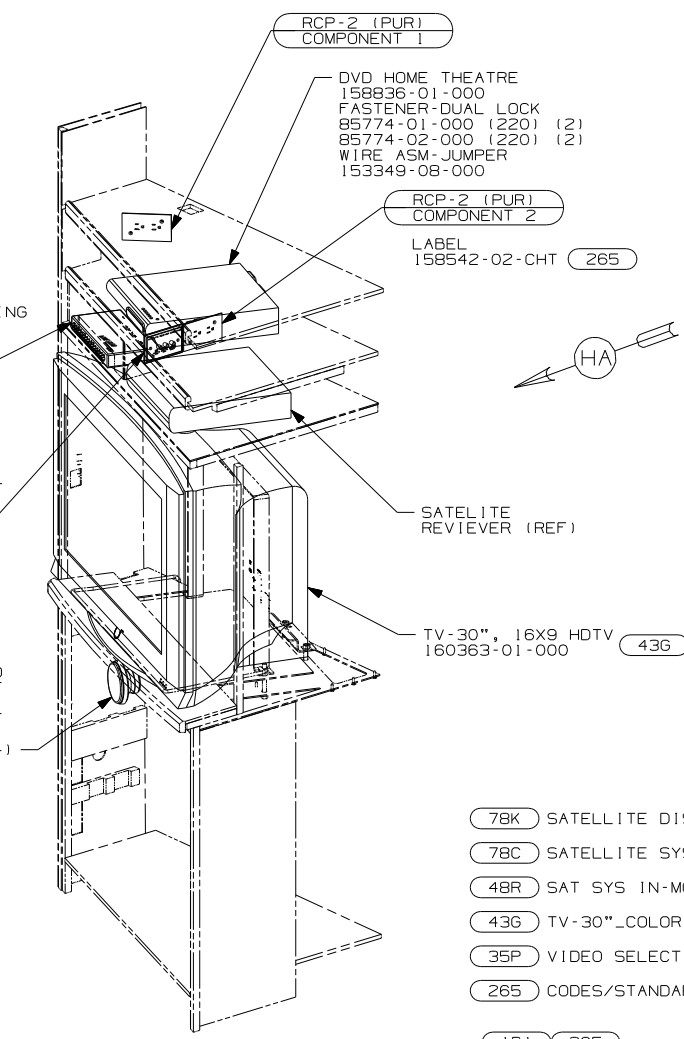
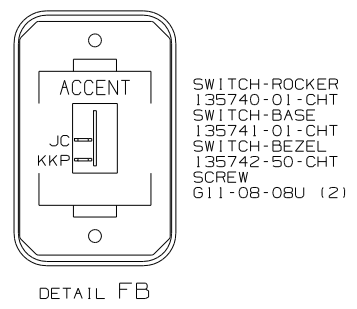
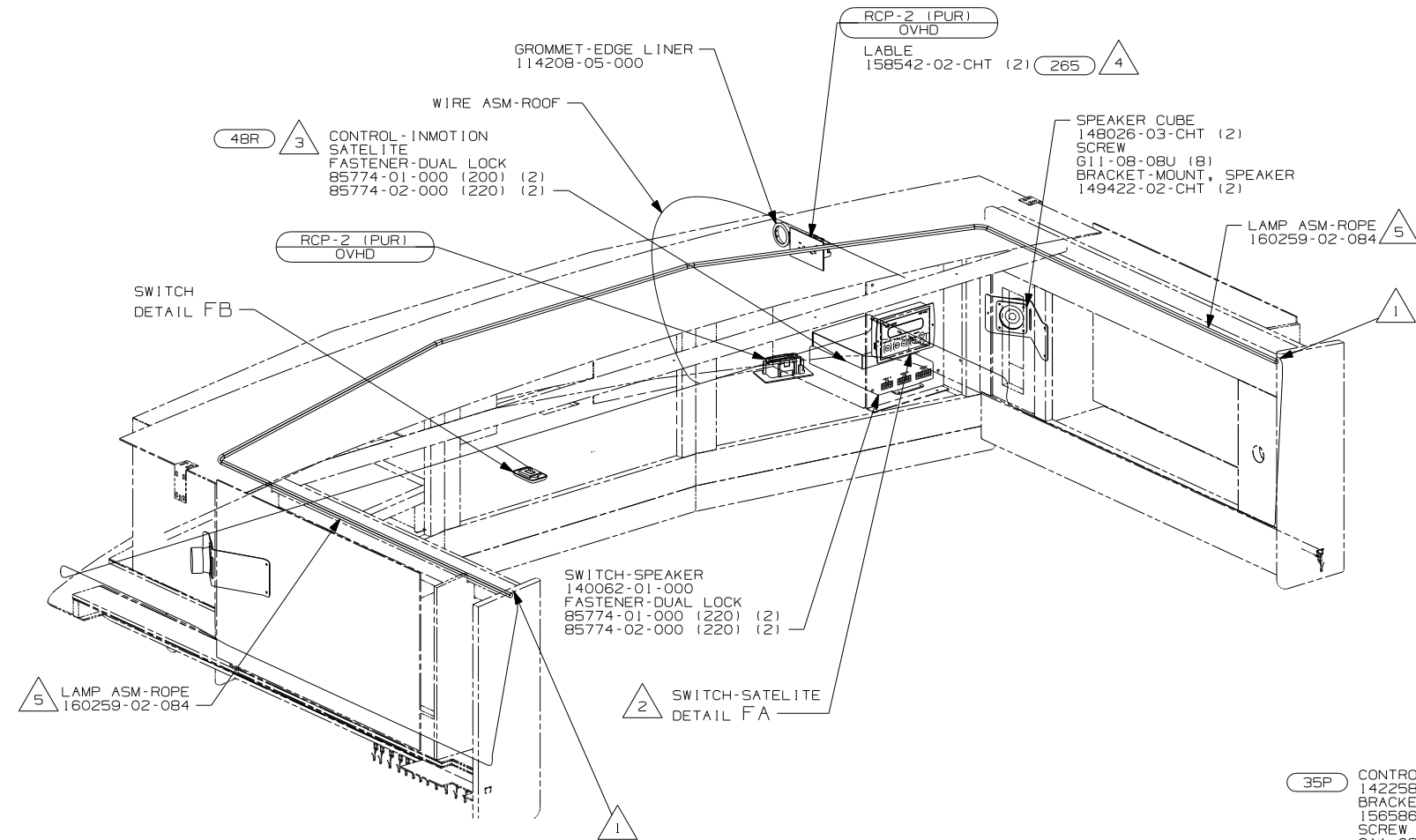
- NOTES:
- 6 SPEAKER WIRING FROM WIRE ASM-ROOF.
 - 5 PARTS ARE SUPPLIED WITH SATELLITE KIT 154474-02-000.
 - 4 ONLY WITH (78C) OR (78K) NOT USED WITH (48R)
 - 3 PLACE CONNECTOR HERE TO MAKE CONNECTION TO MATING WIRE ASM CIRCUITS KKP & NC.
 - 2 SEE ROOF ASM FOR ADDITIONAL INFORMATION.
 - 1 SNAP ROPE LIGHT IN CHANNELS ON OVHD CABINETS.

- (78C) SATELLITE SYSTEM READY
- (78K) SATELLITE DISH-AUTOMATIC
- (48R) SAT SYS IN-MOTION W/O RCVR
- (42N) TV (FRONT) -27\"/>

FOR ELECTRICAL TORQUE SPECIFICATIONS SEE DWG NO. 128783-01-000

(X-X) FOR ELECTRICAL CALLOUTS SEE DWG NO. 121339-01-000

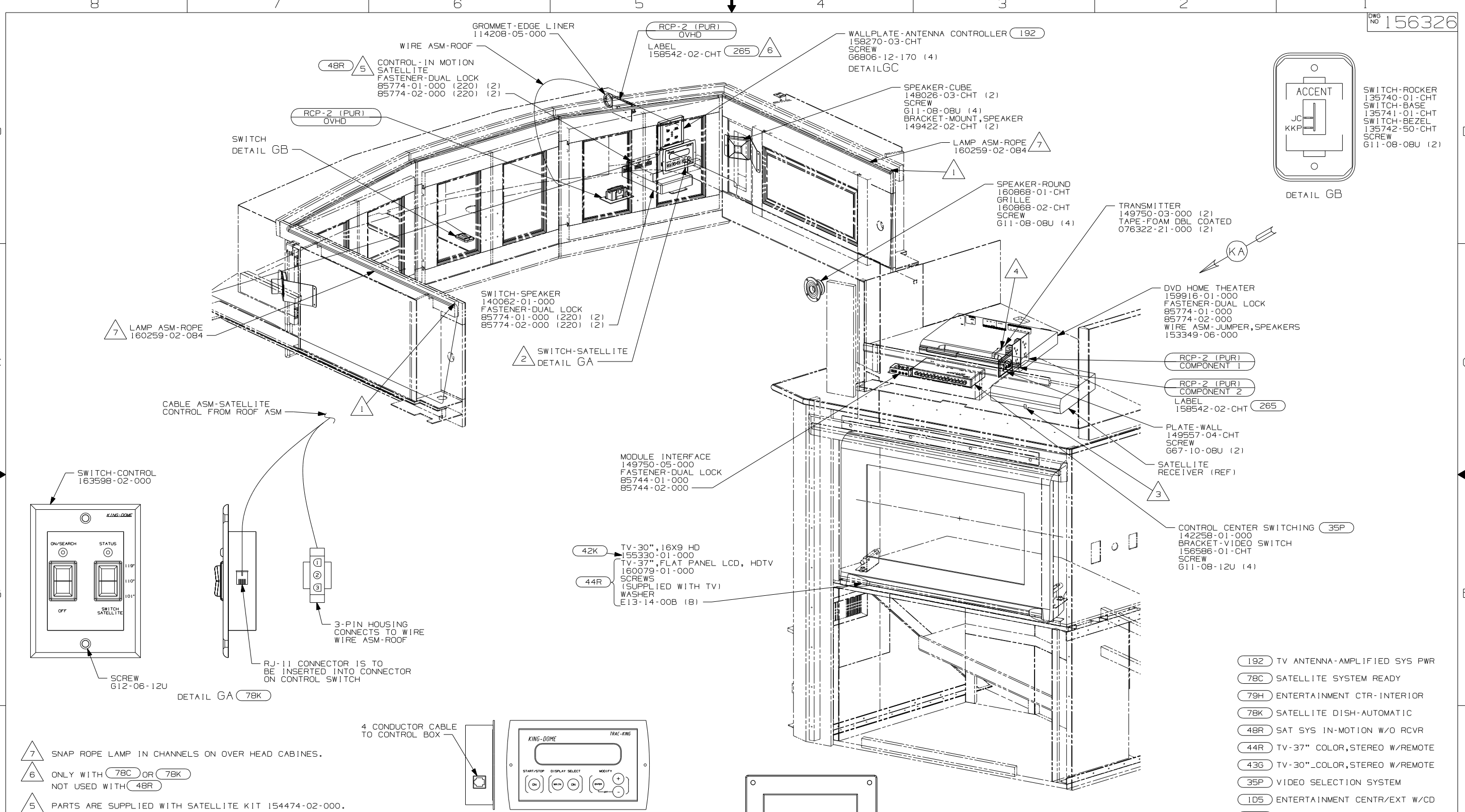
FIRST USED		R40FD	
07 A-BODIES			
DO NOT SCALE DRAWING			
TITLE: WIRING INSTL-TV/DVD, SIDE			
SHEET 5	PART NO	156326	REV



- 78K SATELLITE DISH-AUTOMATIC
- 78C SATELLITE SYSTEM READY
- 48R SAT SYS IN-MOTION W/O RCVR
- 43G TV-30" _COLOR, STEREO W/REMOTE
- 35P VIDEO SELECTION SYSTEM
- 265 CODES/STANDARDS-CSA/CMVSS

- NOTES:
- 5 SNAP ROPE LAMP IN CHANNELS ON OVER HEAD CABINETS
 - 4 ONLY WITH 78C OR 78K NOT USED WITH 48R
 - 3 PARTS ARE SUPPLIED WITH SATELLITE KIT 154474-02-000
 - 2 SEE ROOF ASM FOR ADDITIONAL INFORMATION
 - 1 PLACE CONNECTOR HERE TO MAKE CONNECTION TO MATING WIRE ASM CIRCUITS KKP & NC

FIRST USED		R40TD	
07 A-BODIES			
DO NOT SCALE DRAWING			
TITLE: WIRING INSTL-TV/DVD, SIDE			
SHEET 6	PART NO	156326	REV



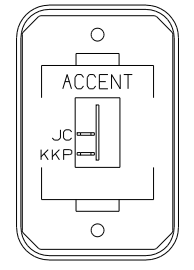
- NOTES:
- 7 SNAP ROPE LAMP IN CHANNELS ON OVER HEAD CABINES.
 - 6 ONLY WITH 78C OR 78K NOT USED WITH 48R
 - 5 PARTS ARE SUPPLIED WITH SATELLITE KIT 154474-02-000.
 - 4 POSITION TRANSMITTER ON THE TOP OF THE DVD USING TIE-MOUNT 155366-01-000 AND TIE-WIRE 8343-01-000 115MM UP FROM THE RIGHT SIDE TO LINE UP WITH THE RECEIVER EYE.
 - 3 POSITION TRANSMITTER IN THE MIDDLE OF THE TOP SHELF OPENING.
 - 2 SEE ROOF ASM FOR ADDITIONAL INFORMATION.
 - 1 PLACE CONNECTOR HERE TO MAKE CONNECTION TO MATING WIRE ASM CIRCUITS KKP & NC.

- 192 TV ANTENNA-AMPLIFIED SYS PWR
- 78C SATELLITE SYSTEM READY
- 79H ENTERTAINMENT CTR-INTERIOR
- 78K SATELLITE DISH-AUTOMATIC
- 48R SAT SYS IN-MOTION W/O RCVR
- 44R TV-37" COLOR,STEREO W/REMOTE
- 43G TV-30" _COLOR,STEREO W/REMOTE
- 35P VIDEO SELECTION SYSTEM
- ID5 ENTERTAINMENT CENTR/EXT W/CD
- ID3 ENTERTAIN CENTR/EXT TV-DVD

FOR ELECTRICAL TORQUE SPECIFICATIONS SEE DWG NO. 128783-01-000

X-X FOR ELECTRICAL CALLOUTS SEE DWG NO. 121339-01-000

FIRST USED		S40FD	
07 A-BODIES			
DO NOT SCALE DRAWING			
TITLE: WIRING INSTL-TV/DVD, SIDE			
SHEET 7	PART NO	156326	REV



SWITCH-ROCKER
135740-01-CHT
SWITCH-BASE
135741-01-CHT
SWITCH-BEZEL
135742-50-CHT
SCREW
G11-08-08U (2)

GROMMET
114208-05-000

SWITCH
DETAIL GB

SWITCH-SPEAKER
140062-01-000
FASTENER-DUAL LOCK
85774-01-000 (220) (2)
85774-02-000 (220) (2)

PLATE-WALL
149557-04-CHT
SCREW
G67-10-08U (2)

RCP-2 (PUR)
OVHD

LABEL
158542-02-CHT

CONTROL-IN MOTION
SATELLITE
FASTENER-DUAL LOCK
85774-01-000 (220) (2)
85774-02-000 (220) (2)

RCP-2 (PUR)
OVHD

SWITCH-SATELLITE
DETAIL GA

SPEAKER-CUBE
148026-03-CHT (2)
SCREW
G11-08-08U (4)
BRACKET-MOUNT,SPEAKER
149422-02-CHT (2)

LAMP ASM-ROPE
160259-02-084

WALLPLATE-ANTENNA CONTROLLER
158270-03-CHT
SCREW
G6806-12-170 (4)
DETAIL GC

RCP-2 (PUR)
OVHD

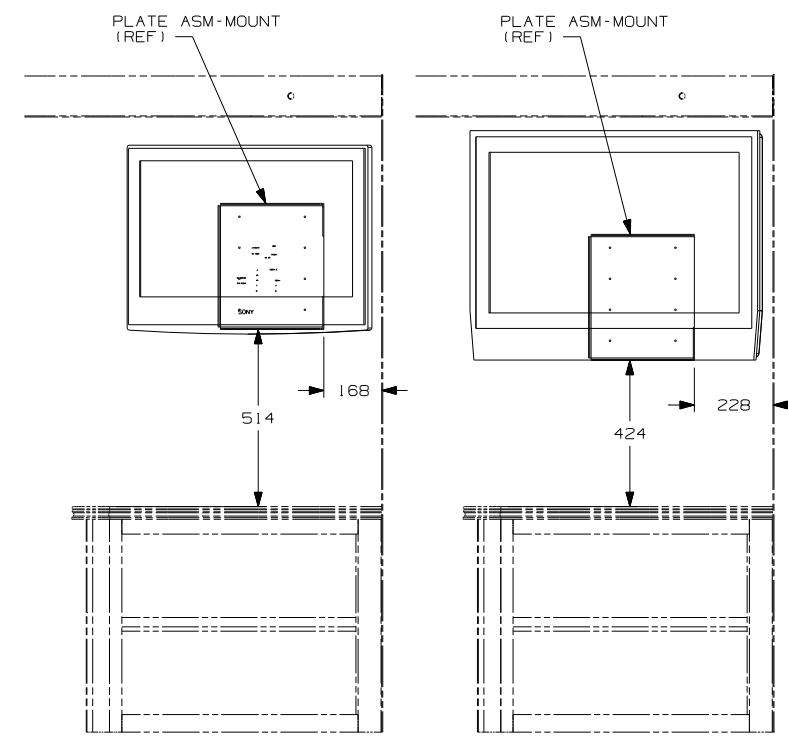
DVD HOME THEATER
159916-01-000
FASTENER-DUAL LOCK
85774-01-000
85774-02-000
WIRE ASM-JUMPER,SPEAKERS
153349-07-000

MODULE-INTERFACE
149750-05-000
FASTENER-DUAL LOCK
85744-01-000
85744-02-000

CONTROL CENTER
SWITCHING
142258-01-000

TRANSMITTER
149750-03-000 (2)
TAPE-FOAM DBL COATED
076322-21-000 (2)

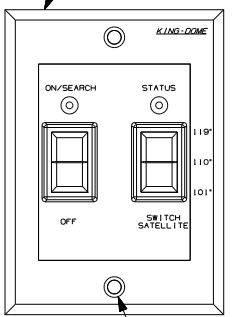
CABLE ASM-SATELLITE
CONTROL FROM ROOF ASM



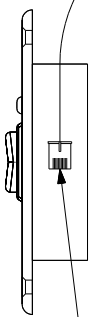
DETAIL GC 42K

DETAIL GC 44R

SWITCH-CONTROL
163598-02-000

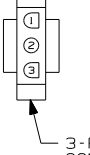


DETAIL GA 78K

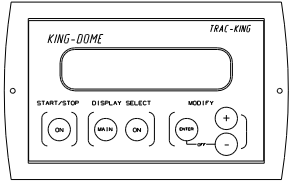


RJ-11 CONNECTOR IS TO
BE INSERTED INTO CONNECTOR
ON CONTROL SWITCH

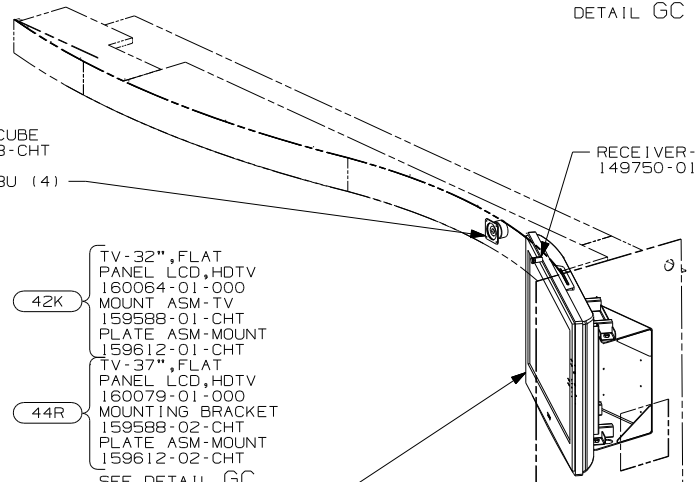
4 CONDUCTOR CABLE
TO CONTROL BOX



3-PIN HOUSING
CONNECTS TO WIRE
ASM-ROOF



DETAIL GA 48R 5



SPEAKER-CUBE
148026-03-CHT
SCREW
G11-08-08U (4)

RECEIVER-INFRARED
149750-01-000

TV-32",FLAT
PANEL LCD,HDTV
160064-01-000
MOUNT ASM-TV
159588-01-CHT
PLATE ASM-MOUNT
159612-01-CHT
TV-37",FLAT
PANEL LCD,HDTV
160079-01-000
MOUNTING BRACKET
159588-02-CHT
PLATE ASM-MOUNT
159612-02-CHT
SEE DETAIL GC
FOR PLATE ASM-MOUNT
MOUNTING LOCATION

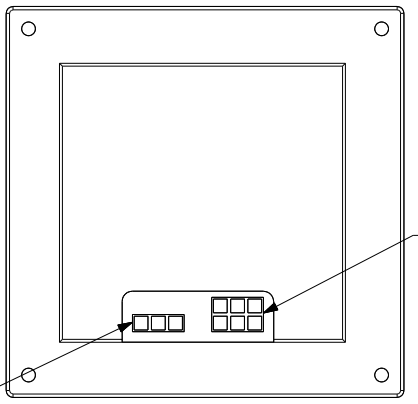


- 192 TV ANTENNA-AMPLIFIED SYS PWR
- 44R TV-37" COLOR,STEREO W/REMOTE
- 42K TV-32" COLOR,STEREO W/REMOTE
- 78C SATELLITE SYSTEM READY
- 79H ENTERTAINMENT CTR-INTERIOR
- 78K SATELLITE DISH-AUTOMATIC
- 48R SAT SYS IN-MOTION W/O RCVR
- 44R TV-37" COLOR,STEREO W/REMOTE
- 35P VIDEO SELECTION SYSTEM
- ID5 ENTERTAINMENT CENTR/EXT W/CD
- ID3 ENTERTAIN CENTR/EXT TV-DVD

- 7 SNAP ROPE LAMP IN CHANNELS ON OVER HEAD CABINES.
- 6 ONLY WITH 78C OR 78K
NOT USED WITH 48R
- 5 PARTS ARE SUPPLIED WITH SATELLITE KIT 154474-02-000.
- 4 POSITION TRANSMITTER ON THE TOP OF THE DVD/VCR USING
TIE-MOUNT 155366-01-000 AND TIE-WIRE 8343-01-000 115MM
FROM THE RIGHT SIDE TO LINE UP WITH THE RECEIVER EYE.
- 3 POSITION TRANSMITTER IN THE CORNER OF THE OPENING.
- 2 SEE ROOF ASM FOR ADDITIONAL INFORMATION.
- 1 PLACE CONNECTOR HERE TO MAKE CONNECTION TO MATING
WIRE ASM CIRCUITS KKP & NC.

NOTES:

POWER CABLE
CONNECTION
(3 PIN HOUSING
FROM WIRE
ASM-ROOF)



DETAIL GC (REAR VIEW)

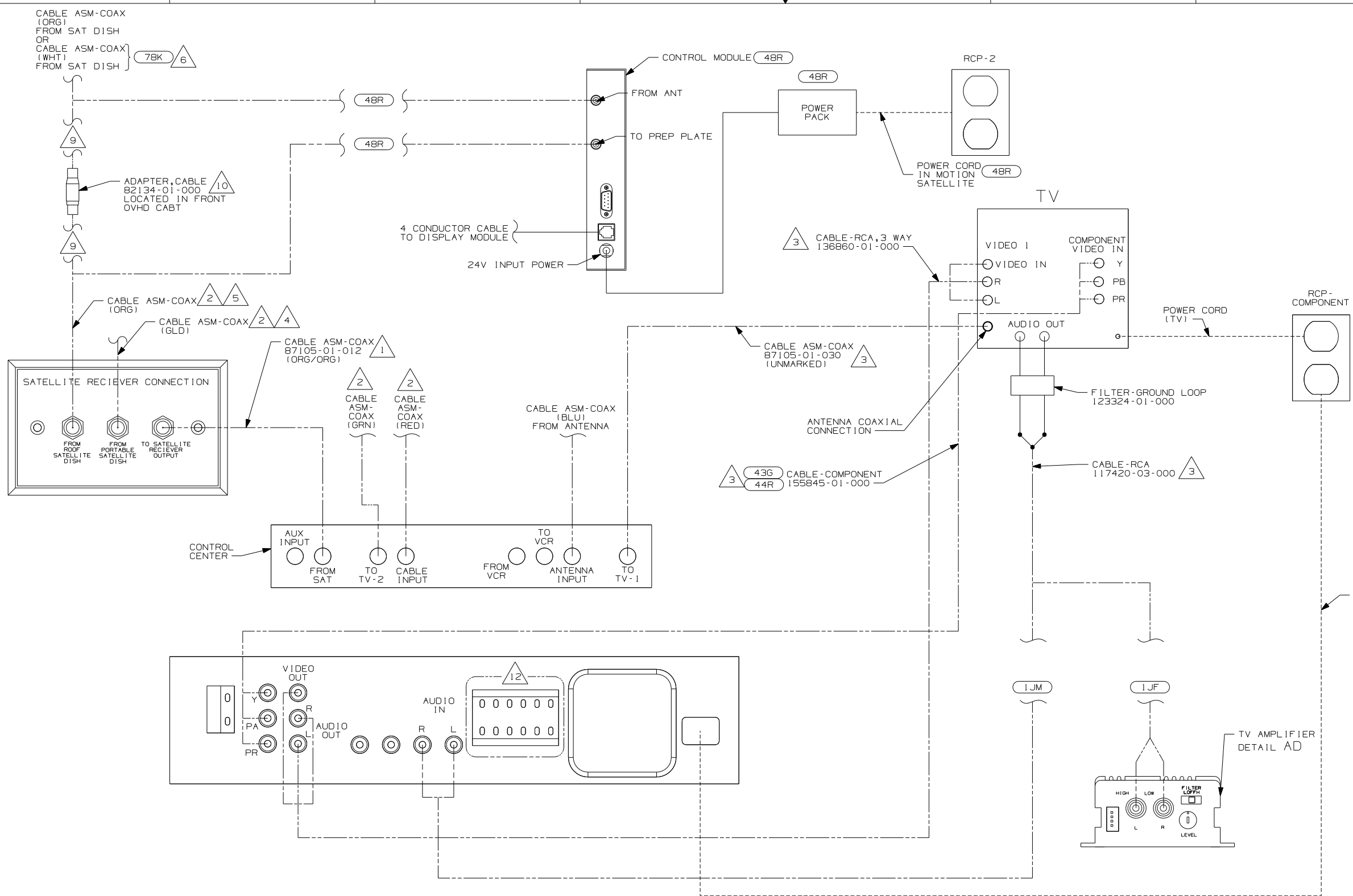
DATA CABLE
CONNECTION
(6 PIN HOUSING
FROM WIRE ASM-
ANTENNA)

FOR ELECTRICAL
TORQUE
SPECIFICATIONS
SEE DWG NO.
128783-01-000

X-X
FOR ELECTRICAL
CALLOUTS
SEE DWG NO.
121339-01-000

FIRST USED
07 A-BODIES
DO NOT SCALE DRAWING
TITLE:
WIRING INSTL-TV/DVD,SIDE
SHEET 8 PART NO 156326 REV
1 1/17/2007

S40TD



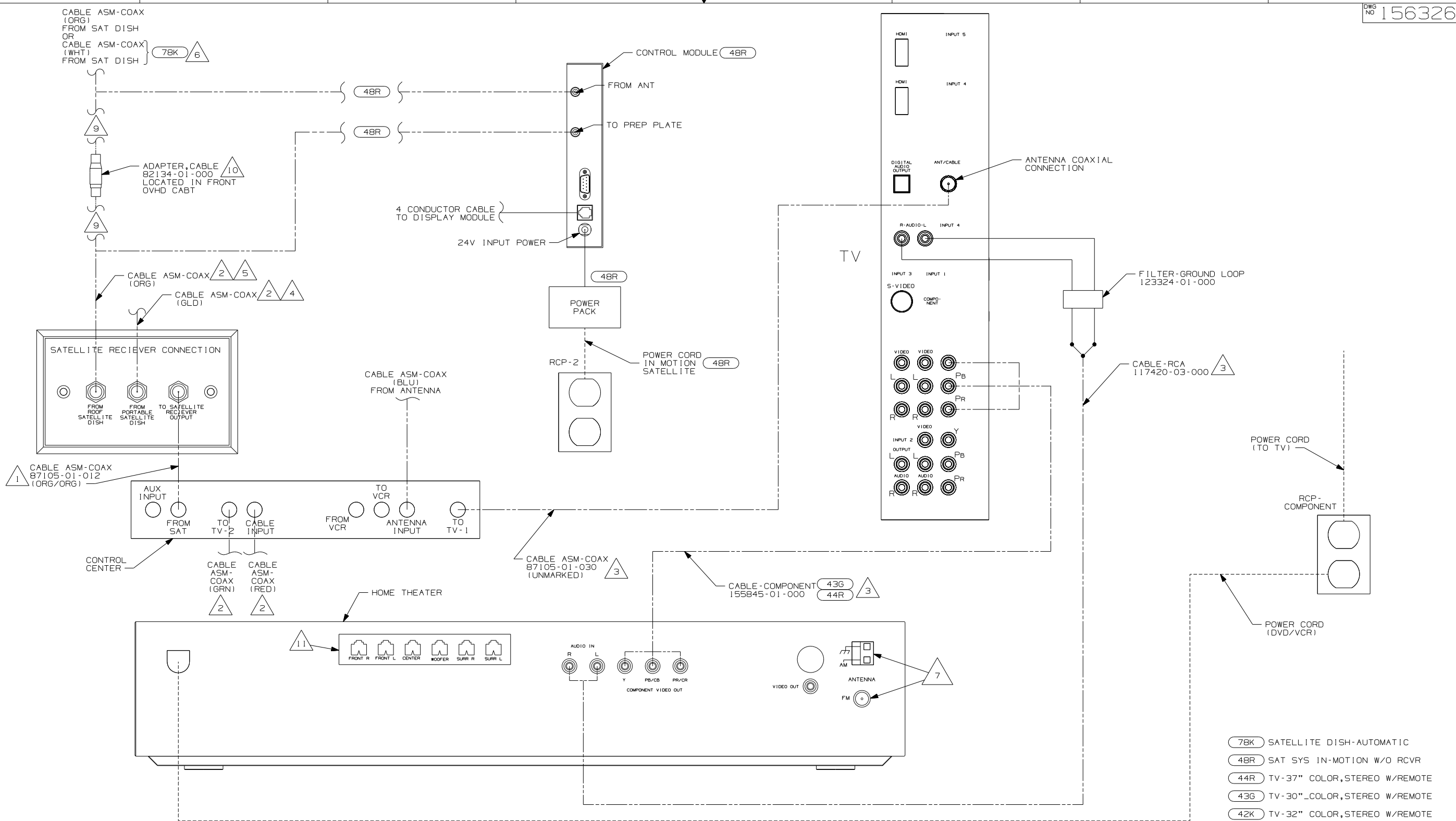
- 4 CONNECTED TO THE REAR SIDE OF SATELLITE PREP PLATE, CONNECTION LABELED 'FROM PORTABLE SATELLITE DISH.'
- 3 NOT USED ON G37B. WIRE ROUTED IN ROOF OR COACH.
- 2 CABLE ROUTED IN ROOF OR THROUGH WIRE ASM-COACH.
- 1 CONNECTED TO THE REAR SIDE OF SATELLITE PREP PLATE, CONNECTION LABELED 'TO SATELLITE RECEIVER OUTPUT.'

- 8 RED & WHITE ENDS ARE NOT CONNECTED ON S-SERIES.
- 7 ANTENNA CABLES ARE TO BE ATTACHED TO SIDEWALL AS HIGH AS POSSIBLE.
- 6 WHT COAX IS PART OF WIRE ASM-SATELLITE AUTO GRAY COAX IS NOT USED, TAPE BACK TO HARNESS.
- 5 CONNECTED TO THE REAR SIDE OF SATELLITE PREP PLATE, CONNECTION LABELED 'FROM ROOF SATELLITE DISH.'

- 11 INSERT WIRE PIN INTO CONNECTOR WITH SEAM ON TERMINAL FACING TERMINAL LOCK LEVER.
- 10 NOT USED WITH 48R
- 9 WITH 48R COAX CABLES ARE CONNECTED TO THE SATELLITE CONTROL MODULE AS SHOWN BYPASSING THE ADAPTER,CABLE.

- 78K SATELLITE DISH-AUTOMATIC
- 48R SAT SYS IN-MOTION W/O RCVR
- 44R TV-37" COLOR,STEREO W/REMOTE
- 43G TV-30" COLOR,STEREO W/REMOTE
- 42K TV-32" COLOR,STEREO W/REMOTE
- 1JM HOME THEATER SOUND SYSTEM
- 1JF HOME THEATER SYS-WITHOUT

FIRST USED		07 A-BODIES	
DO NOT SCALE DRAWING			
TITLE: WIRING INSTL-TV/DVD,SIDE			
SHEET 9	PART NO	156326	REV



- △ 4 CONNECTED TO THE REAR SIDE OF SATELLITE PREP PLATE, CONNECTION LABELED 'FROM PORTABLE SATELLITE DISH.'
- △ 3 NOT USED ON S40TD. WIRE ROUTED IN ROOF & COACH.
- △ 2 CABLE ROUTED IN ROOF OR THROUGH WIRE ASM-COACH.
- △ 1 CONNECTED TO THE REAR SIDE OF SATELLITE PREP PLATE, CONNECTION LABELED 'TO SATELLITE RECEIVER OUTPUT.'

- △ 8 RED & WHITE ENDS ARE NOT CONNECTED ON S-SERIES.
- △ 7 ANTENNA CABLES ARE TO BE ATTACHED TO SIDEWALL AS HIGH AS POSSIBLE.
- △ 6 WHT COAX IS PART OF WIRE ASM-SATELLITE AUTO GRAY COAX IS NOT USED, TAPE BACK TO HARNESS.
- △ 5 CONNECTED TO THE REAR SIDE OF SATELLITE PREP PLATE, CONNECTION LABELED 'FROM ROOF SATELLITE DISH.'

- △ 11 SPEAKER OUT TO WIRE ASM-JUMPER, SPEAKER, CONNECT COLOR TO COLOR.
- △ 10 NOT USED WITH (48R)
- △ 9 WITH (48R) COAX CABLES ARE CONNECTED TO THE SATELLITE CONTROL MODULE AS SHOWN BYPASSING THE ADAPTER, CABLE.

- (78K) SATELLITE DISH-AUTOMATIC
- (48R) SAT SYS IN-MOTION W/O RCVR
- (44R) TV-37" COLOR, STEREO W/REMOTE
- (43G) TV-30" COLOR, STEREO W/REMOTE
- (42K) TV-32" COLOR, STEREO W/REMOTE
- (IJM) HOME THEATER SOUND SYSTEM
- (IJF) HOME THEATER SYS-WITHOUT

FIRST USED		
07 A-BODIES		
DO NOT SCALE DRAWING		
TITLE:		
WIRING INSTL-TV/DVD, SIDE		
SHEET 10	PART NO	REV
	156326	