



DANGER

Danger of electrical shock, burns or death. Always remove all power sources before attempting any repair, service or diagnostic work. Power can be present from shore power, generator, inverter or battery. All power sources must be disabled and secured before performing any service.

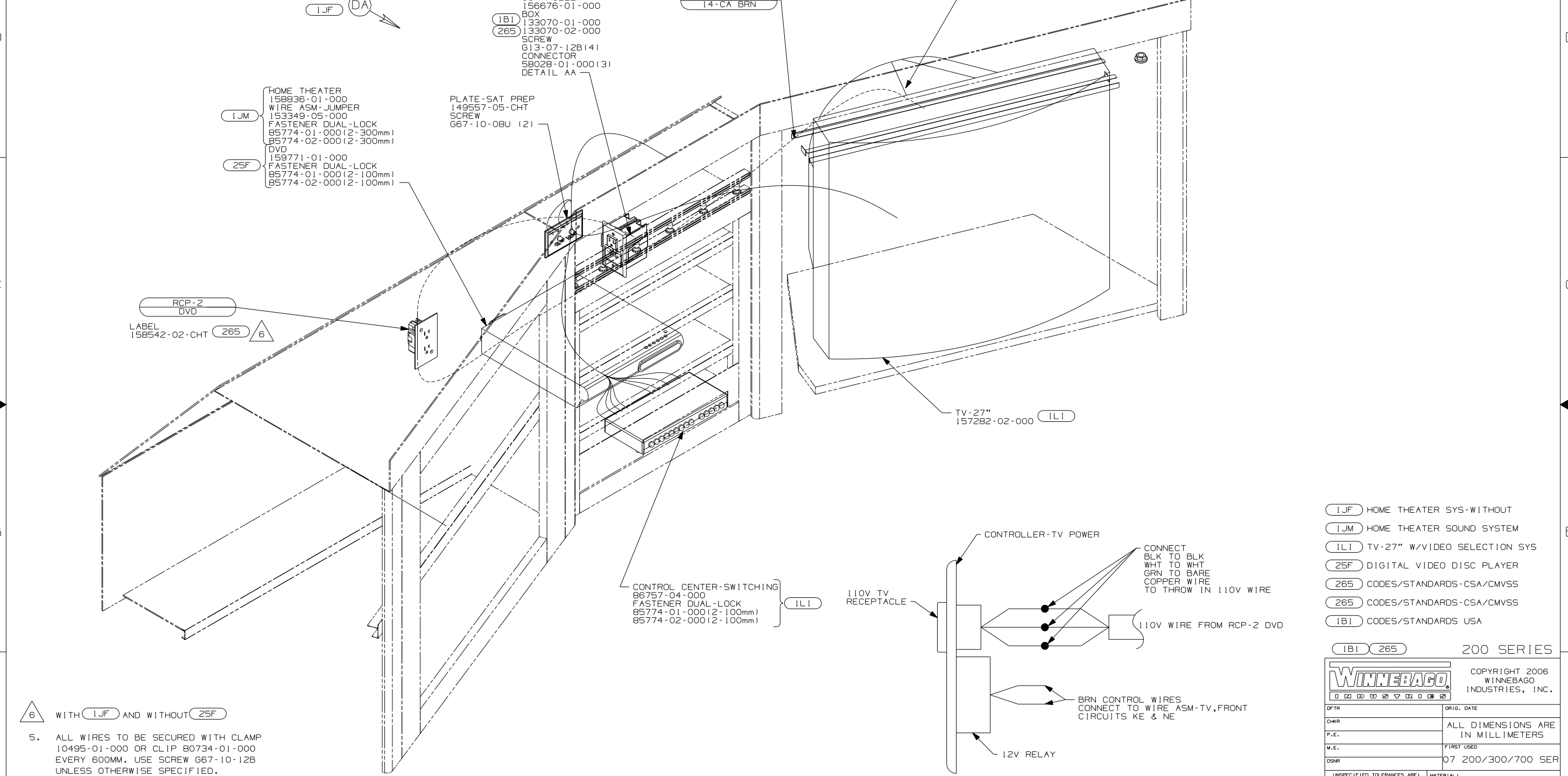


CAUTION

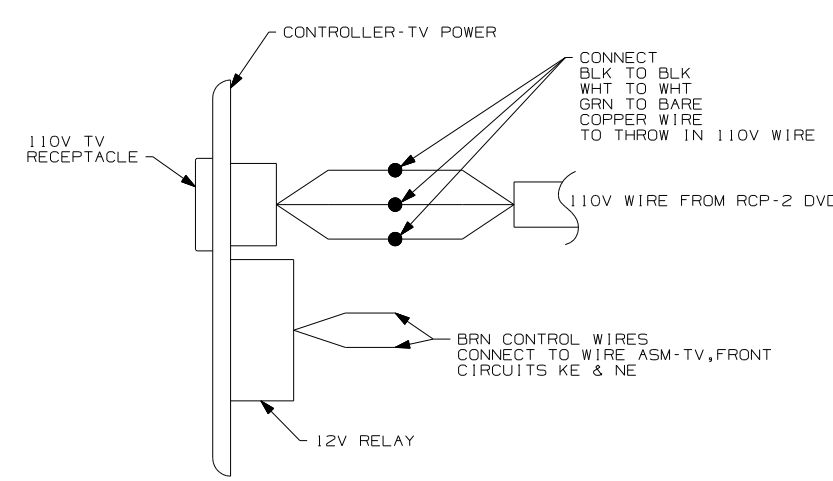
If you lack the skills, tools or equipment to perform diagnostic or repair work leave such work to an authorized Winnebago Industries dealer or other qualified shop.

DRAWING NO.	MODEL	SHT
156321-01	200 SER	1, 4, 5
156321-02	300 SER	2, 7
156321-03	700 SER	3, 6

RELEASE	REV DATE	DWG NO	156321
REV ZONE	REVISION RECORD	DATE	DFTR-016



- △ WITH 1JF AND WITHOUT 25F
- ALL WIRES TO BE SECURED WITH CLAMP 10495-01-000 OR CLIP 80734-01-000 EVERY 600MM. USE SCREW G67-10-12B UNLESS OTHERWISE SPECIFIED.
 - 110V WIRE TO BE CLAMPED WITH CLAMP 10497-05-000 WITHIN 200MM OF OUTLET BOXES. USE SCREW G67-10-12B.
 - SEE SHT 8 FOR COAX DETAILS.
 - SEE SHT 8 FOR 110V AND 12V DETAILS.
 - SEE WIRING INSTL-BODY, 12V & 110V FOR ADDITIONAL INFORMATION.



- 1JF HOME THEATER SYS-WITHOUT
- 1JM HOME THEATER SOUND SYSTEM
- 1LI TV-27" W/VIDEO SELECTION SYS
- 25F DIGITAL VIDEO DISC PLAYER
- 265 CODES/STANDARDS-CSA/CMVSS
- 265 CODES/STANDARDS-CSA/CMVSS
- 1B1 CODES/STANDARDS USA

1B1 265 200 SERIES

WINNEBAGO COPYRIGHT 2006 WINNEBAGO INDUSTRIES, INC.

DFTR	ORIG. DATE
CHKR	ALL DIMENSIONS ARE IN MILLIMETERS
P.E.	
M.E.	FIRST USED
DSNR	07 200/300/700 SER

UNSPECIFIED TOLERANCES ARE: MATERIAL:

WHOLE DIM (X)	:	
ONE-PLACE (X.X)	:	
TWO-PLACE (X.XX)	:	
ANGLE	:	

THIRD ANGLE PROJECTION

DO NOT SCALE DRAWING

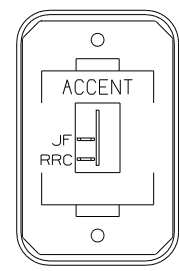
TITLE: WIRING INSTL-TV/DVD,FRONT

SHEET 1 OF 7 PART NO 156321 REV

REF: 1 1/19/2007

FOR ELECTRICAL TORQUE SPECIFICATIONS SEE DWG NO. 128783-01-000

X-X FOR ELECTRICAL CALLOUTS SEE DWG NO. 121339-01-000



SWITCH-ROCKER
135740-01-CHT
SWITCH-BASE
135741-01-CHT
SWITCH-BEZEL
135742-50-CHT
SCREW
G11-08-08U (2)

DETAIL BD

CONTROLLER
156678-01-000
BOX
1B1 → 133070-01-000
265 → 133070-02-000
SCREW
613-07-12B (4)
CONNECTOR
58028-01-000 (3)
DETAIL BC

WIRE_ASM-TV,FRONT
158027-01-000

PLATE-SAT PREP
149557-05-CHT
SCREW
G67-10-08U

FASTENER DUAL-LOCK
85774-01-000 (2-200MM)
(FASTEN TO CARPET)

DVD PLAYER
(REF)

29 (2)

28

28

DETAIL BA

110V WIRE
FROM ROOF
CONNECTS TO WIRE_ASM-ROOF

WIRE_ASM-TV,FRONT
CONNECTS TO ROPE LAMP
IN THIS AREA (2 PLACES)

LAMP-ROPE
160259-01-066
(CUT LENGTH OF 66 INCHES)

13 (2)

43

43

DETAIL BB

FASTENER DUAL-LOCK
85774-01-000 (2-100MM)
85774-02-000 (2-100MM)

SWITCH-VIDEO
(REF)

WIRE_ASM-JUMPER,SPEAKER
153349-08-000

SWITCH-VIDEO
142258-01-000
DETAIL BB

RCP-2
DVD
LABEL
158542-02-CHT 265

TV-27"
146298-02-000

HOME THEATER
158836-01-000
DETAIL BA

LAMP-ROPE
160259-01-066
(CUT LENGTH OF 66 INCHES)

110V TV
RECEPTACLE

CONTROLLER-TV POWER

CONNECT
BLK TO BLK
WHT TO WHT
GRN TO BARE
COPPER WIRE
TO THROW IN 110V WIRE

110V WIRE FROM
RCP-2 DVD

BRN CONTROL WIRES
CONNECT TO WIRE_ASM-TV,FRONT
CIRCUITS KE & NF

12V RELAY

DETAIL BC
(SHOWN FROM
THE SIDE)

1L9 ENTERTAINMENT CENTER-CABOVER
265 CODES/STANDARDS-CSA/CMVSS
1B1 CODES/STANDARDS USA

1B1 265 1L9

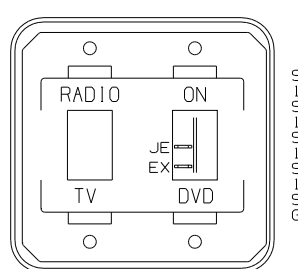
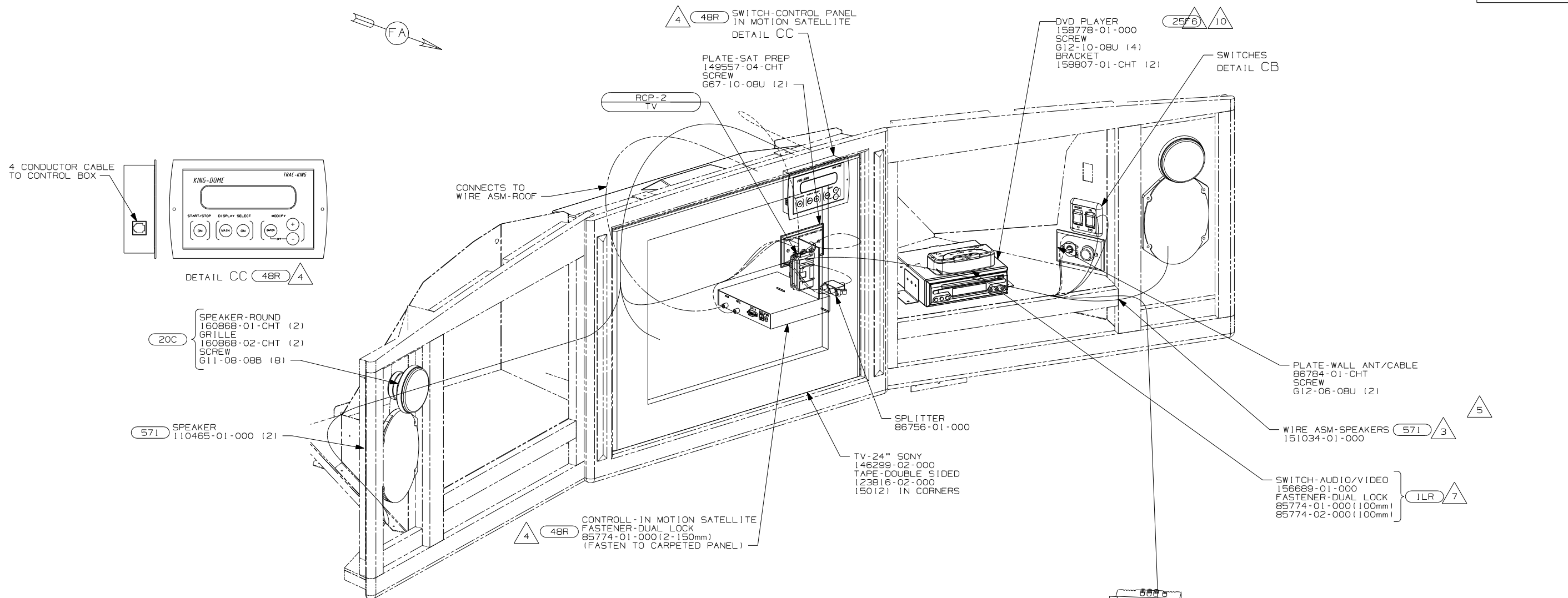
FIRST USED	
300-SERIES	
DO NOT SCALE DRAWING	
TITLE: WIRING INSTL-TV/DVD,FRONT	
SHEET 2	PART NO 156321
REV	

FOR ELECTRICAL
TORQUE
SPECIFICATIONS
SEE DWG NO.
128783-01-000

FOR
ELECTRICAL
CALLOUTS
SEE DWG NO.
121339-01-000

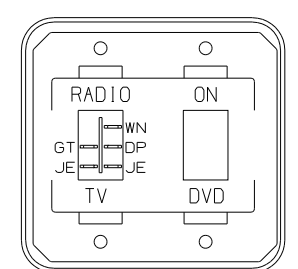
1 STAPLE ROPE LAMP TO CABINET EVERY 150MM SO THAT
THE ROPE LAMP FOLLOWS THE CONTOUR OF THE CABINET.

NOTES:



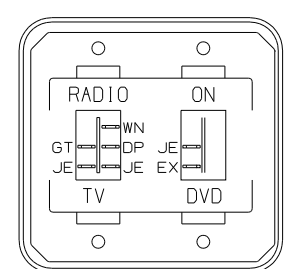
DETAIL CB 25F

SWITCH-BLANK 138253-01-CHT
 SWITCH-ROCKER 135740-01-CHT
 SWITCH-BASE 135741-02-CHT
 SWITCH-BEZEL 135742-53-CHT
 SCREW 611-08-08U (4)



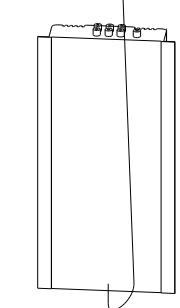
DETAIL CB 20C

SWITCH-BLANK 138253-01-CHT
 SWITCH-ROCKER 135740-05-CHT
 SWITCH-BASE 135741-02-CHT
 SWITCH-BEZEL 135742-53-CHT
 SCREW 611-08-08U (4)



DETAIL CB 20C 25F

SWITCH-ROCKER 135740-01-CHT
 SWITCH-ROCKER 135740-05-CHT
 SWITCH-BASE 135741-02-CHT
 SWITCH-BEZEL 135742-53-CHT
 SCREW 611-08-08U (4)



- 6 INCLUDE AV ADAPTOR CABLE VENDOR PN 11232271, WHICH IS SUPPLIED WITH DVD PLAYER, IN THE INFO CASE.
- 5 MOUNT SWITCH-A/V TO THE TOP OF DVD PLAYER USING FASTENER-DUAL LOCK.
- 4 PARTS ARE SUPPLIED WITH SATELLITE KIT 154474-02-000.
- 3 NOT USED WITH 20C

- 10 DVD PLAEYER TO BE MOUNTED AS FAR TO THE LEFT AS POSSIBLE
- 9 POSITION TRANSMITTER IN THE MIDDLE OF THE TOP SHELF, TOWARD OUTER EDGE OF SHELF.
- 8 POSITION TRANSMITTER UNDER DVD PLAYER 35MM FROM RIGHT SIDE OF DVD PLAYER, SO THAT TRANSMITTER LINES UP WITH REMOTE CONTROL SENSOR.
- 7 USED ON 729H ONLY.

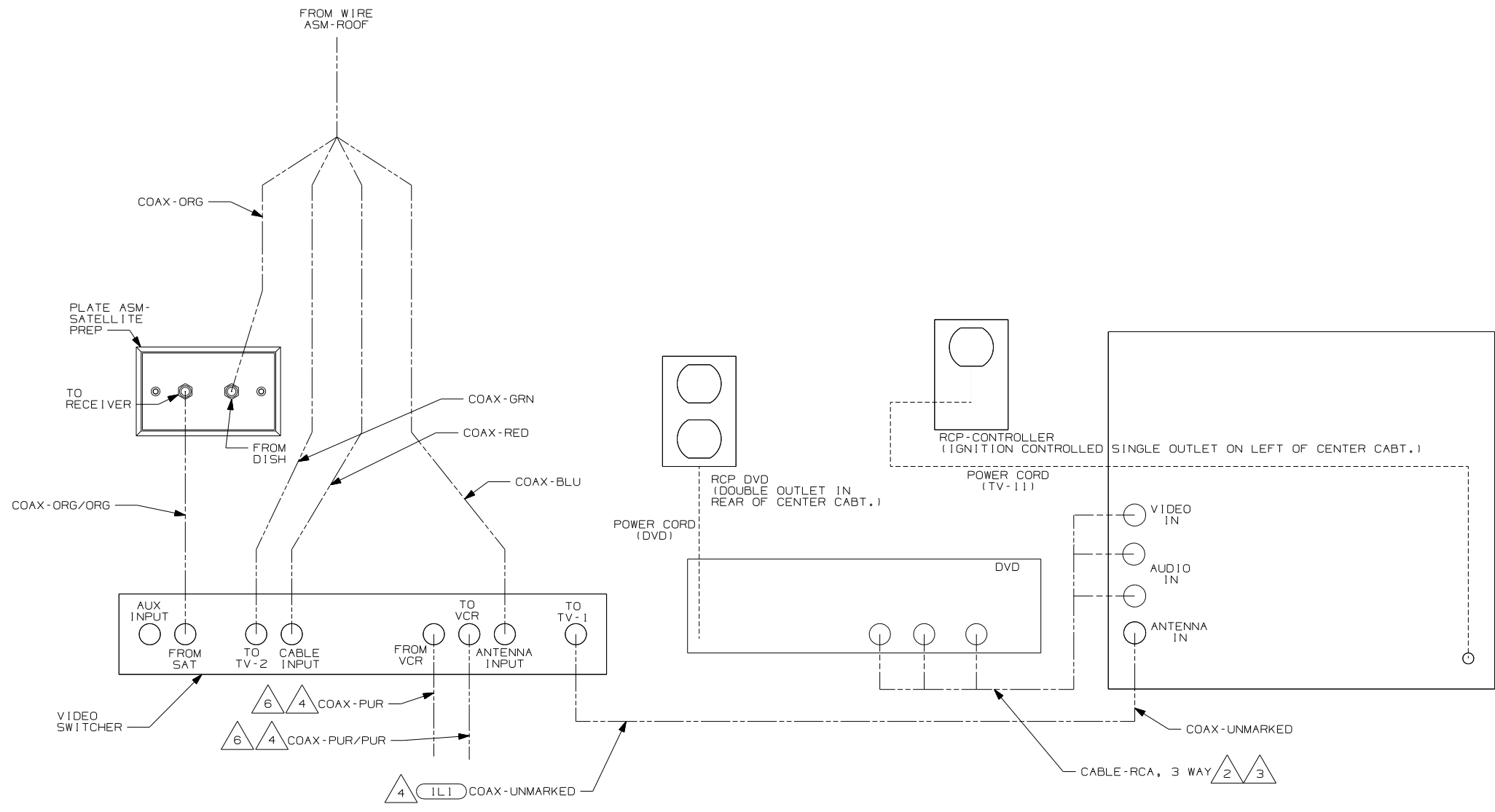
2. SEE SHT 7 FOR 110V, 12V AND COAX DETAIL.
 1. SEE WIRING INSTL-BODY, 12 & 110V FOR ADDITIONAL INFORMATION.

FOR ELECTRICAL TORQUE SPECIFICATIONS SEE DWG NO. 128783-01-000

X-X FOR ELECTRICAL CALLOUTS SEE DWG NO. 121339-01-000

- ILR TV-14"DC,COLOR,LCD W/REMOTE
- 48R SAT SYS IN-MOTION W/O RCVR
- 42J TV-24" COLOR,STEREO W/REMOTE
- 25F DIGITAL VIDEO DISC PLAYER
- 571 RADIO SPEAKERS
- 20C SOUND SYS. DLX. W/O-SURROUND

FIRST USED	700-SERIES
TITLE	DO NOT SCALE DRAWING
TITLE	WIRING INSTL-TV/DVD,FRONT
SHEET 3	PART NO 156321 REV



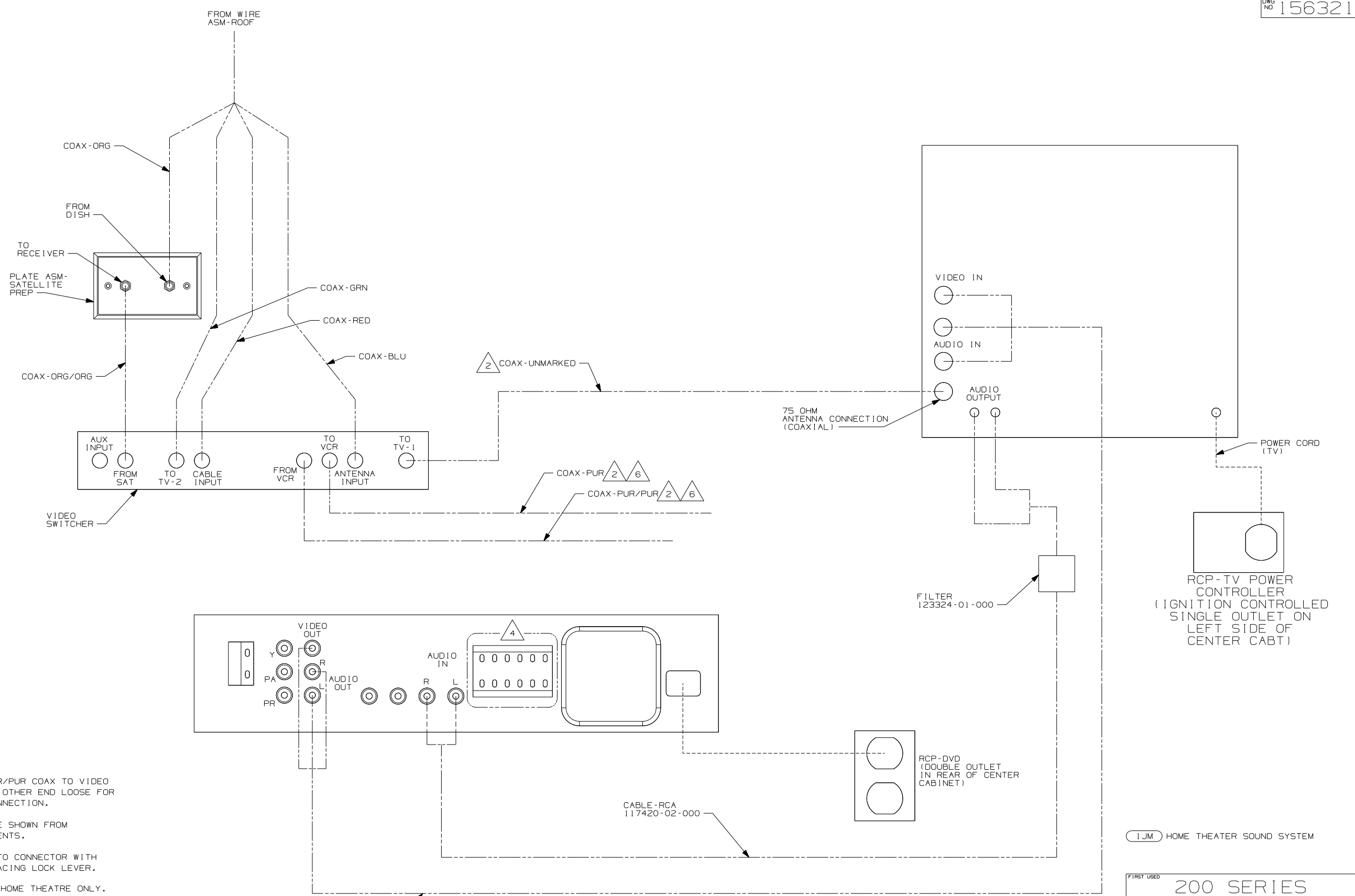
DETAIL DA

- 6 INSTALL COAX FOR FUTURE CUSTOMER CONNECTION.
- 5. ALL CONNECTIONS ARE SHOWN FROM BACKSIDE OF COMPONENTS.
- 4 COAX IS FROM WIRE ASM-TV, FRONT.
- 3 CABLE IS ONLY USED WITH (25F). WITHOUT (25F) TAPE BACK TO HARNESS.
- 2 SUPPLIED WITH DVD/VCR
- 1. SEE WIRING INSTL-BODY, 12V FOR ADDITIONAL INFORMATION.

NOTES:

- (25F) DIGITAL VIDEO DISC PLAYER
- (1L1) TV-27" W/VIDEO SELECTION SYS
- (265) CODES/STANDARDS-CSA/CMVSS
- (1B1) CODES/STANDARDS-USA

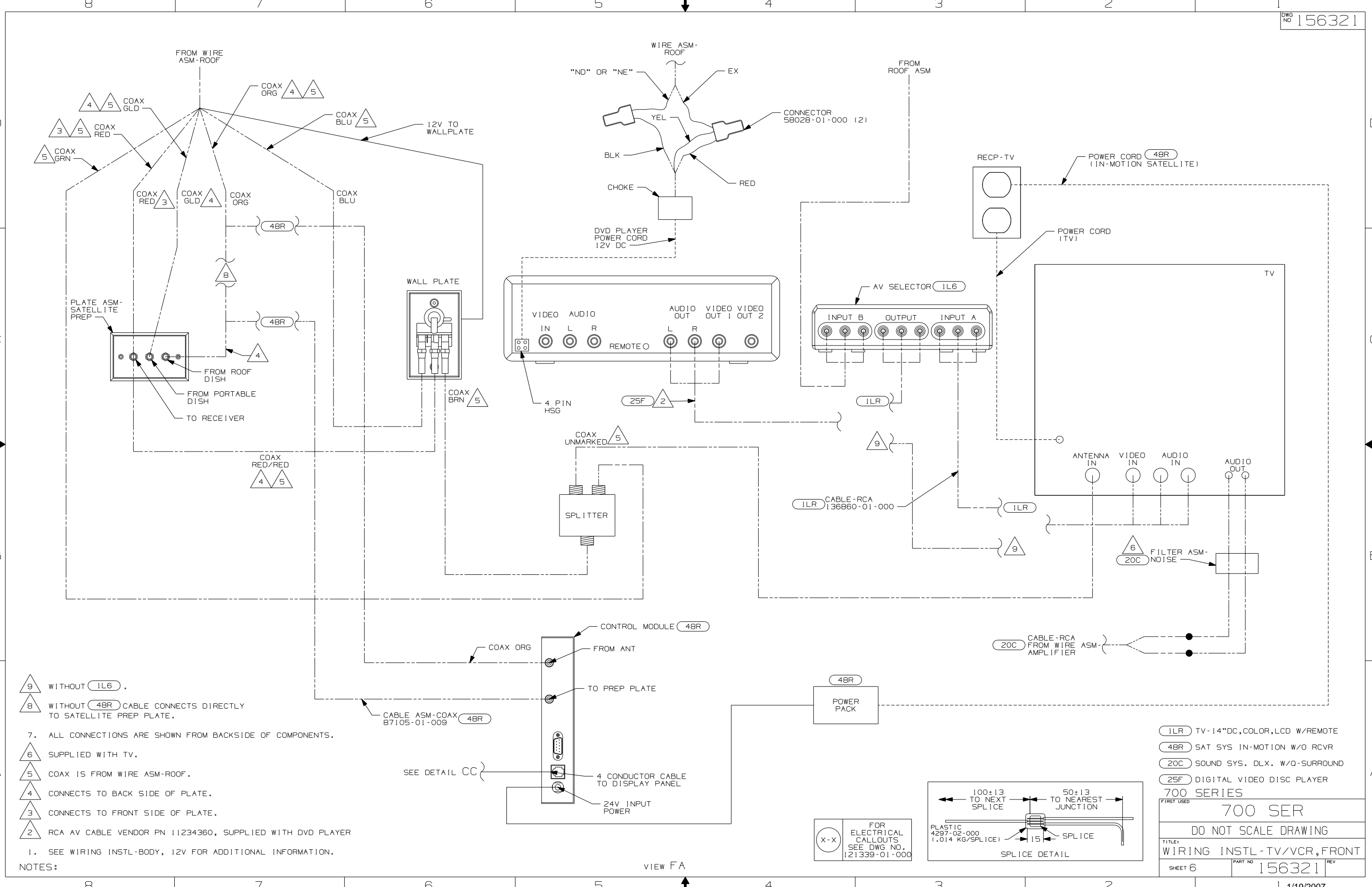
FIRST USED		200-SERIES	
DO NOT SCALE DRAWING			
TITLE:			
WIRING INSTL-TV/DVD, FRONT			
SHEET 4	PART NO	156321	REV



- NOTES:
- ⑥ CONNECT PUR AND PUR/PUR COAX TO VIDEO SWITCHER AND LEAVE OTHER END LOOSE FOR FUTURE CUSTOMER CONNECTION.
 - ⑤ ALL CONNECTIONS ARE SHOWN FROM BACKSIDE OF COMPONENTS.
 - ④ INSERT WIRE PIN INTO CONNECTOR WITH SEAM ON TERMINAL FACING LOCK LEVER.
 - ③ CABLE IS USED WITH HOME THEATRE ONLY.
 - ② COAX IS FROM WIRE ASM-TV,FRONT.
 - ① CABLE ASM MARKED WITH COLORED TAPE.

DETAIL EA 1JM

1JM HOME THEATRE SOUND SYSTEM	
FIRST USED	200 SERIES
DO NOT SCALE DRAWING	
TITLE: WIRING INSTL - TV/DVD,FRONT	
SHEET 5	PART NO 156321
REV	

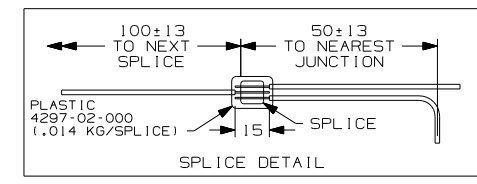


- 9 WITHOUT 1L6 .
- 8 WITHOUT 48R CABLE CONNECTS DIRECTLY TO SATELLITE PREP PLATE.
- 7. ALL CONNECTIONS ARE SHOWN FROM BACKSIDE OF COMPONENTS.
- 6 SUPPLIED WITH TV.
- 5 COAX IS FROM WIRE ASM-ROOF.
- 4 CONNECTS TO BACK SIDE OF PLATE.
- 3 CONNECTS TO FRONT SIDE OF PLATE.
- 2 RCA AV CABLE VENDOR PN 11234360, SUPPLIED WITH DVD PLAYER

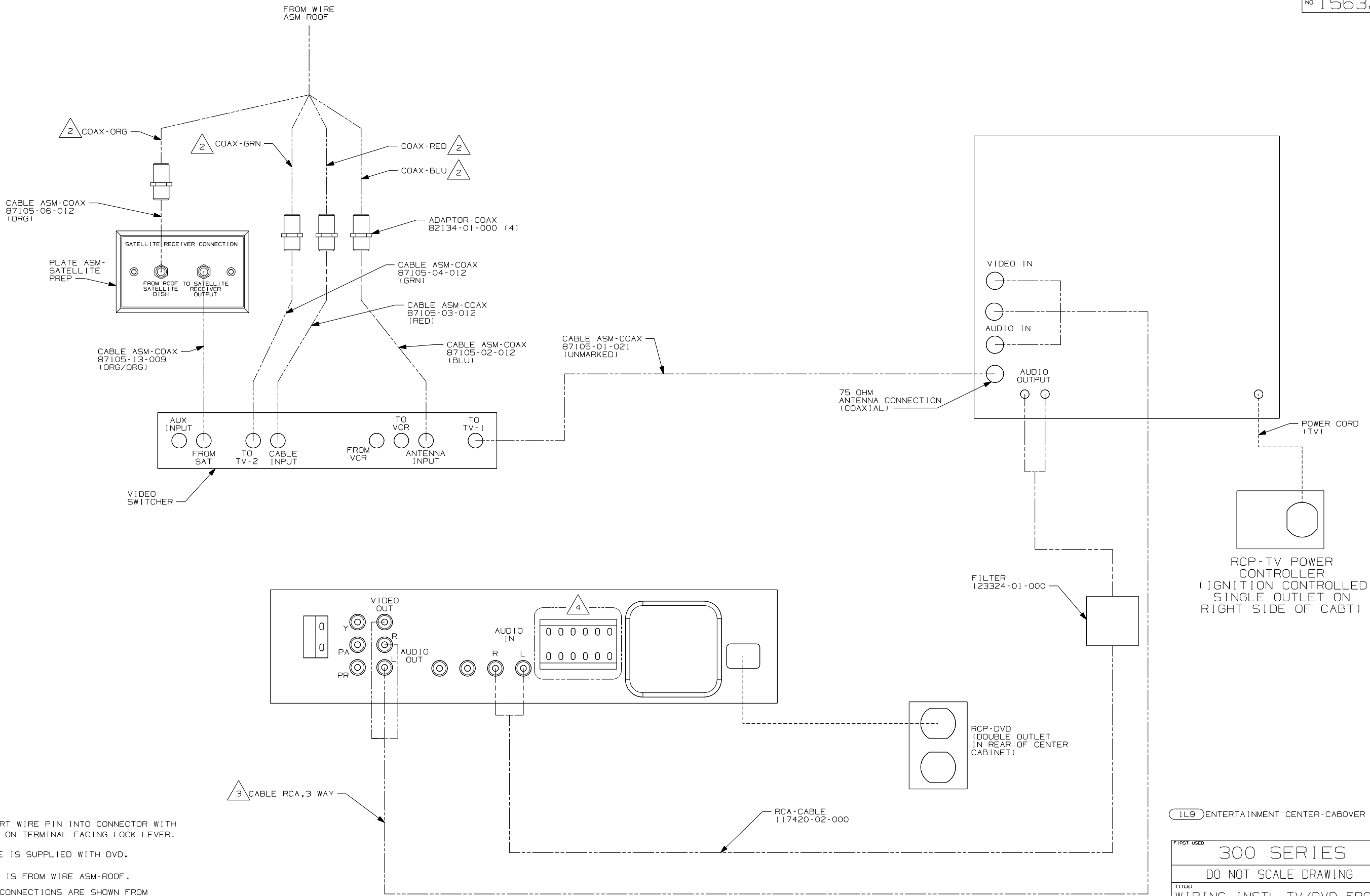
NOTES:
1. SEE WIRING INSTL-BODY, 12V FOR ADDITIONAL INFORMATION.

1LR	TV-14"DC,COLOR,LCD W/REMOTE
48R	SAT SYS IN-MOTION W/O RCVR
20C	SOUND SYS. DLX. W/O-SURROUND
25F	DIGITAL VIDEO DISC PLAYER
700 SERIES	
FIRST USED 700 SER	
DO NOT SCALE DRAWING	
TITLE: WIRING INSTL-TV/VCR,FRONT	
SHEET 6	PART NO 156321 REV

FOR ELECTRICAL CALLOUTS SEE DWG NO. 121339-01-000



VIEW FA



- NOTES:
- 4 INSERT WIRE PIN INTO CONNECTOR WITH SEAM ON TERMINAL FACING LOCK LEVER.
 - 3 CABLE IS SUPPLIED WITH DVD.
 - 2 COAX IS FROM WIRE ASM-ROOF.
 - 1. ALL CONNECTIONS ARE SHOWN FROM BACKSIDE OF COMPONENTS.

DETAIL GA 1L9

1L9 ENTERTAINMENT CENTER-CABOVER	
FIRST USED	
300 SERIES	
DO NOT SCALE DRAWING	
TITLE:	
WIRING INSTL - TV/DVD, FRONT	
SHEET 7	PART NO 156321 REV