



**DANGER**

**Danger of electrical shock, burns or death.** Always remove all power sources before attempting any repair, service or diagnostic work. Power can be present from shore power, generator, inverter or battery. All power sources must be disabled and secured before performing any service.

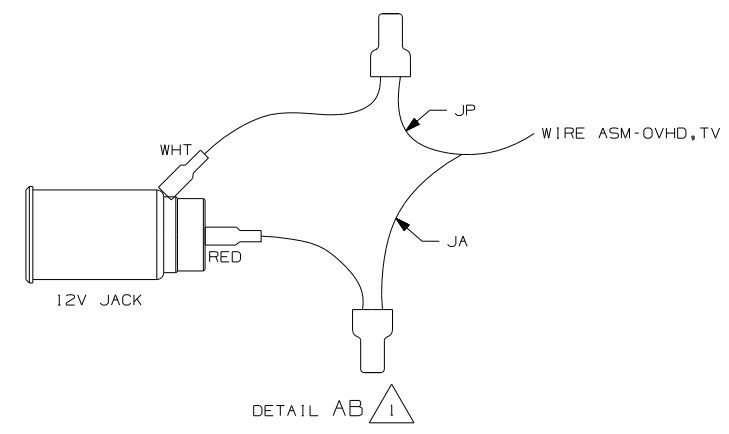
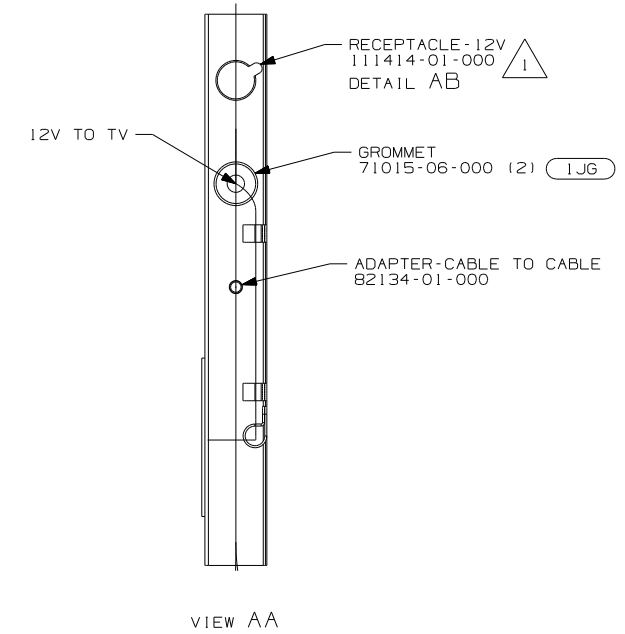
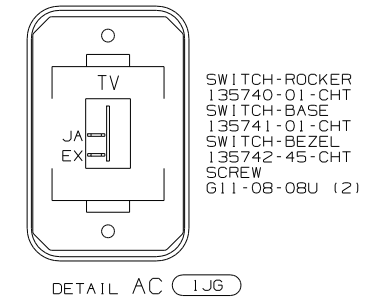
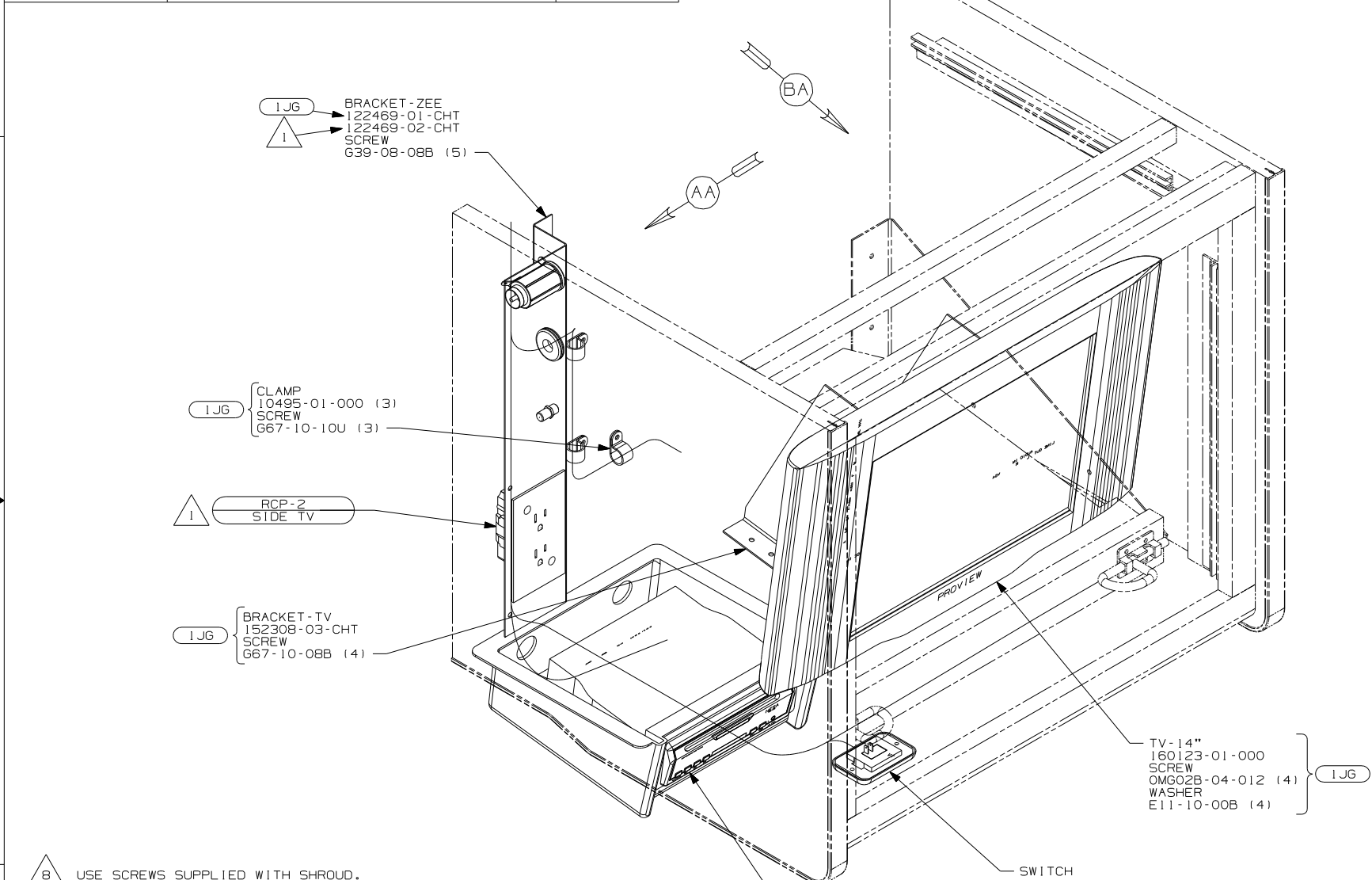


**CAUTION**

If you lack the skills, tools or equipment to perform diagnostic or repair work leave such work to an authorized Winnebago Industries dealer or other qualified shop.

DRAWING NO.	MODELS	SHEETS
156320-01	222B, 224V, 226A, 228P, 229T	1,2
156320-02	231C	3,4
156320-03	325F, 327L, 329B, 331C, 331H	5,6
156320-04	523H	7,8
156320-05	523J	9,10
156320-06	523B	11,12

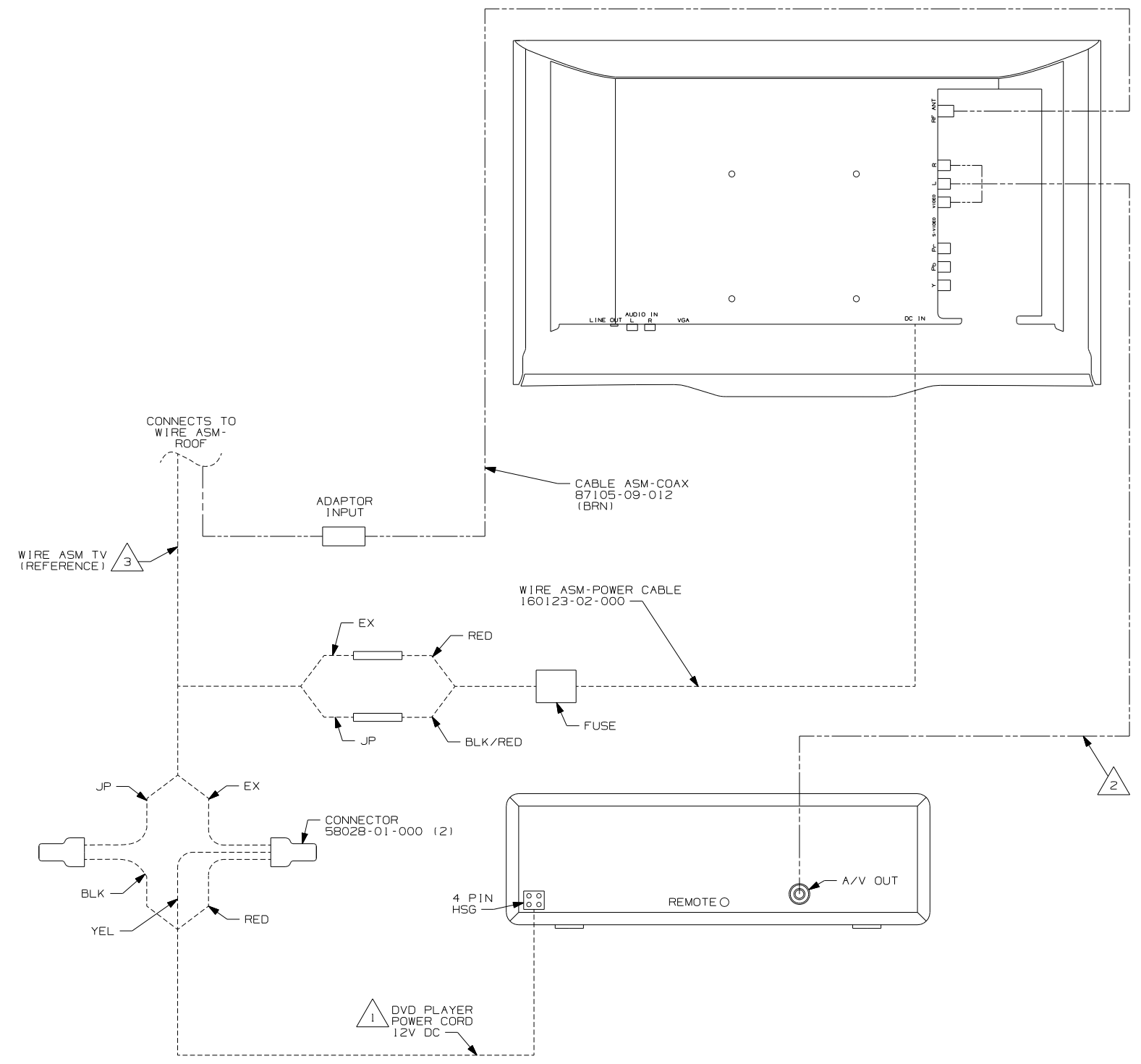
RELEASE	REV DATE	1	156320
REV ZONE	REVISION RECORD	DATE	DFTR-ORIG



- NOTES:
- 8 USE SCREWS SUPPLIED WITH SHROUD.
  - 7 INSTALL DVD MOUNTING BOX TO SHROUD BY BENDING A MINIMUM OF TWO TABS ON EACH SIDE OF MOUNTING BOX.
  - 6 REMOVE SHIPPING RESTRAINT SCREWS FROM DVD PLAYER.
  - 5 INCLUDE A/V ADAPTER CABLE WHICH IS SUPPLIED WITH THE DVD PLAYER IN THE INFO CASE.
  - 4. 110V WIRE TO BE CLAMPED WITH CLAMP 10497-05-000 WITHIN 200MM OF OUTLET BOXES, USE SCREW G67-10-12B.
  - 3. ALL WIRES TO BE SECURED WITH CLAMP 10495 OR 10497 OR WIRE TIE 8343 OR 108046 EVERY 600MM, USE SCREW G67-XX-XXX OR G56-XX-XXX AS APPROPRIATE FOR INSTALLATION.
  - 2. FOR CONNECTIONS, SEE SHEET 2.
  - 1 NOT USED WITH (1JG)

- (1JG) TV-14" DC, LCD, & DVD, DC
- (265) CODES/STANDARDS-CSA/CMVSS
- (1B1) CODES/STANDARDS USA
- (1B1) (265)

<b>WINNEBAGO</b>		COPYRIGHT 2006 WINNEBAGO INDUSTRIES, INC.	
DFTR	ORIG. DATE	ALL DIMENSIONS ARE IN MILLIMETERS	
CHKR		FIRST USED	
P.E.		07 C-BODY	
M.E.		UNSPECIFIED TOLERANCES ARE:	
DSNR		MATERIAL:	
		WHOLE DIM (X)	: 3
		ONE-PLACE (X.X)	: 1.5
		TWO-PLACE (X.XX)	: 0.50
		ANGLE	: 1°
		THIRD ANGLE PROJECTION	
DO NOT SCALE DRAWING			
TITLE: WIRING INSTL-TV/DVD,SIDE			
SHEET 1 OF 10	PART NO	156320	REV
REF:	1 12/11/2006		

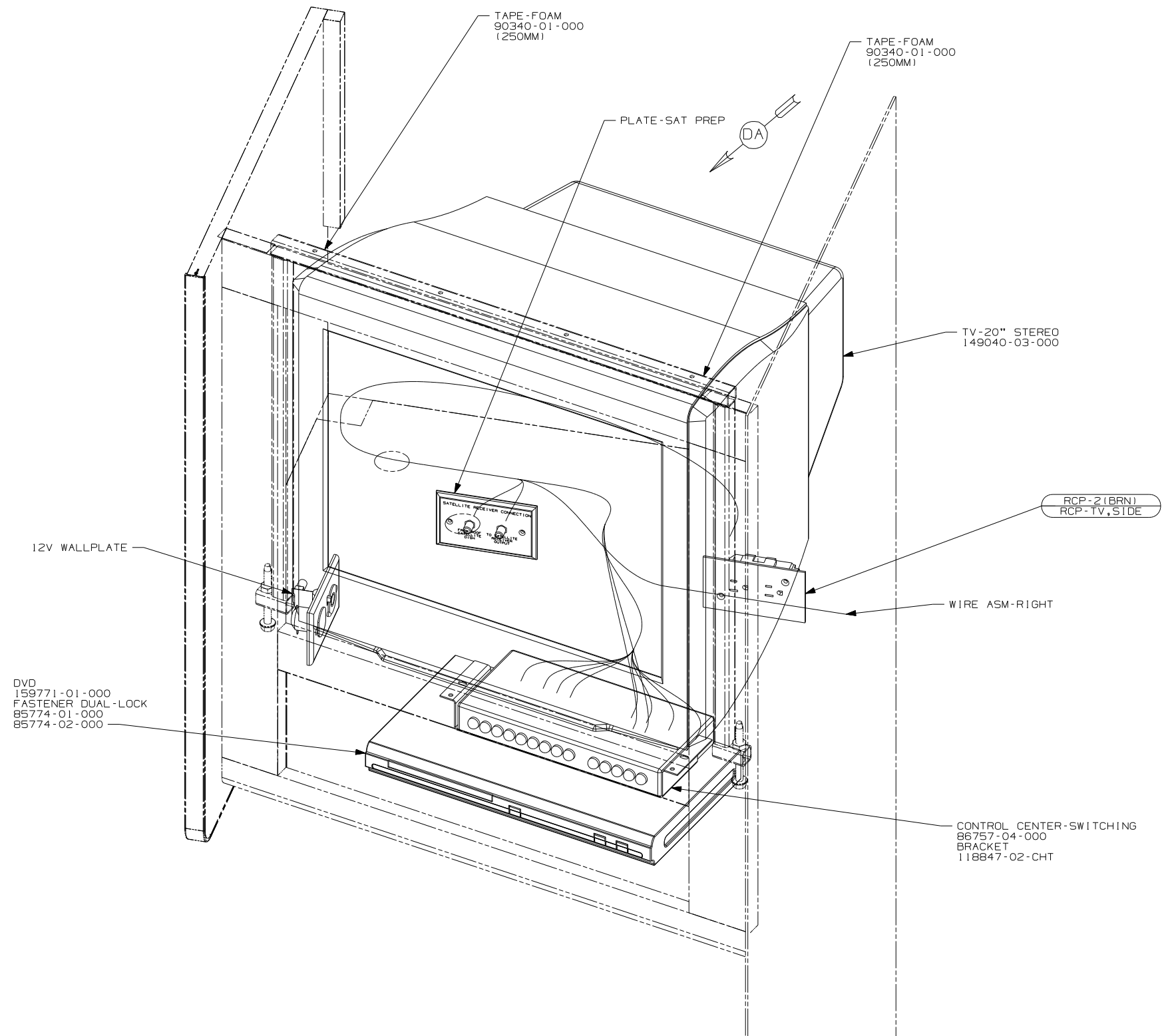


DETAIL BA

- NOTES:
- 3 WIRE\_ASM SUPPLIED IN TV CABINET.
  - 2 RCA A/V CABLE VENDOR SUPPLIED WITH THE DVD PLAYER.
  - 1 CABLE SUPPLIED WITH DVD PLAYER.

- 1JG TV-14" DC, LCD, & DVD, DC
- 265 CODES/STANDARDS-CSA/CMVSS
- 1B1 CODES/STANDARDS USA

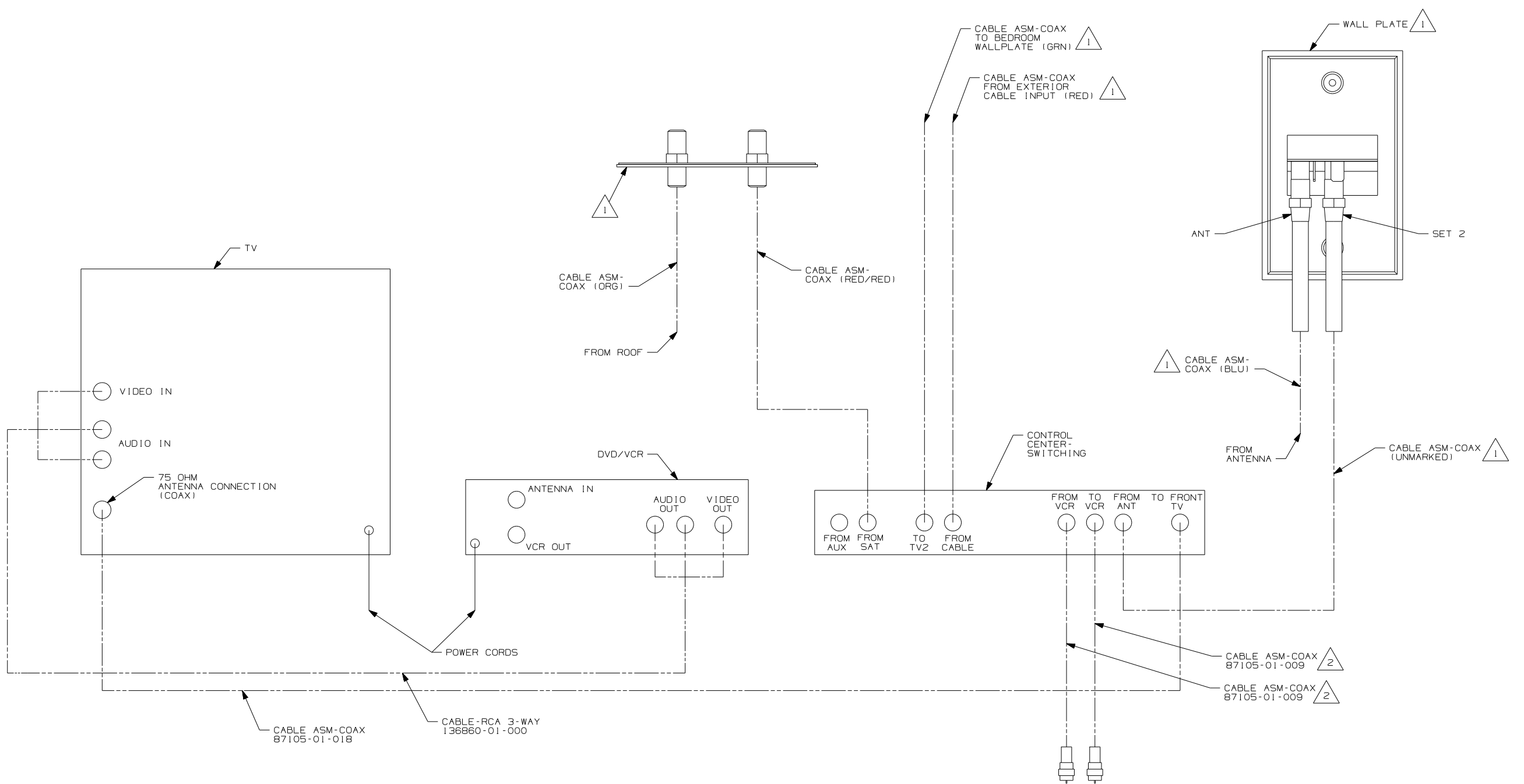
FIRST USED		07 C-BODY	
DO NOT SCALE DRAWING			
TITLE:			
WIRING INSTL-TV/DVD, SIDE			
SHEET 2	PART NO	156320	REV



- NOTES:
1. ALL WIRES TO BE SECURED WITH CLAMP 10495 OR 10497 OR WIRE TIE 8343 OR 108046 EVERY 600MM. USE SCREW G67-XX-XXX OR G56-XX-XXX AS APPROPRIATE FOR INSTALLATION.
  2. FOR COAX CONNECTIONS, SEE SHEET 4.
  3. 110V WIRE TO BE CLAMPED WITH CLAMP 10497-05-000 WITHIN 200MM OF OUTLET BOXES, USE SCREW G67-10-12B.

- (ILJ) TV-20"AC,DVD,VIDEO SEL SYS
- (265) CODES/STANDARDS-CSA/CMVSS
- (1B1) CODES/STANDARDS USA

FIRST USED		07 C-BODY	
DO NOT SCALE DRAWING			
TITLE:			
WIRING INSTL-TV/DVD, SIDE			
SHEET 3	PART NO	156320	REV



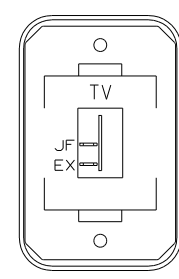
VIEW DA

- (1LJ) TV-20"AC,DVD,VIDEO SEL SYS
- (265) CODES/STANDARDS-CSA/CMVSS
- (1B1) CODES/STANDARDS USA

(1B1) (265) (1LJ)

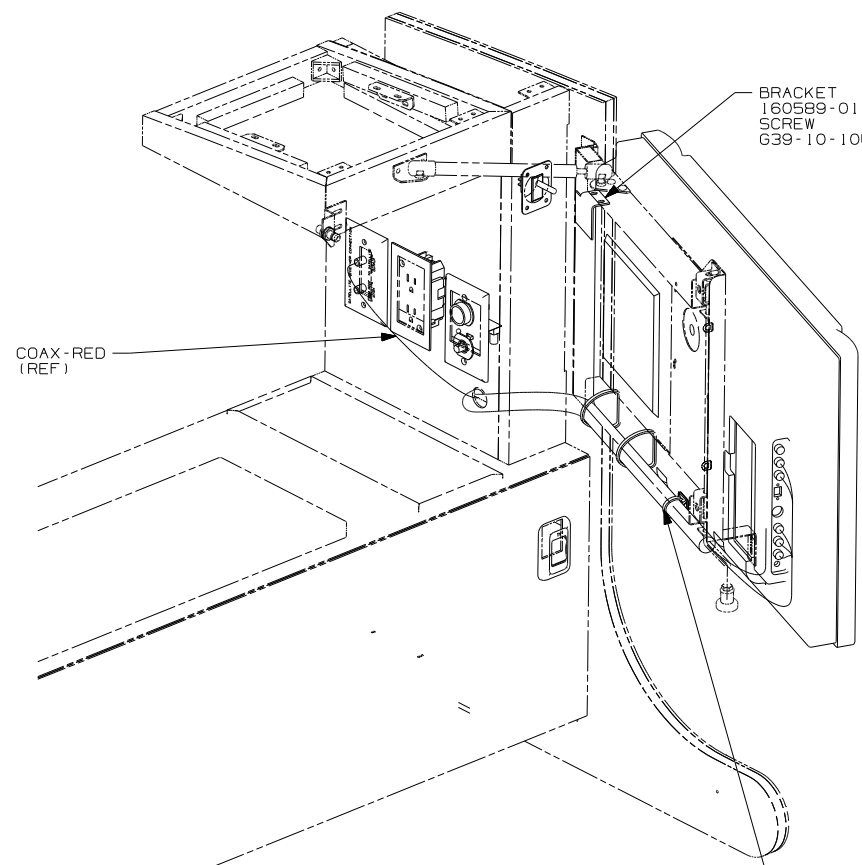
FIRST USED	07 C-BODY	
DO NOT SCALE DRAWING		
TITLE	WIRING INSTL-TV/DVD,SIDE	
SHEET 4	PART NO	156320
REV		

- NOTES:
- (2) INSTALL COAX FOR FUTURE CUSTOMER CONNECTION.
  - (1) SEE WIRING INSTL-BODY,12V FOR ADDITIONAL INFORMATION.



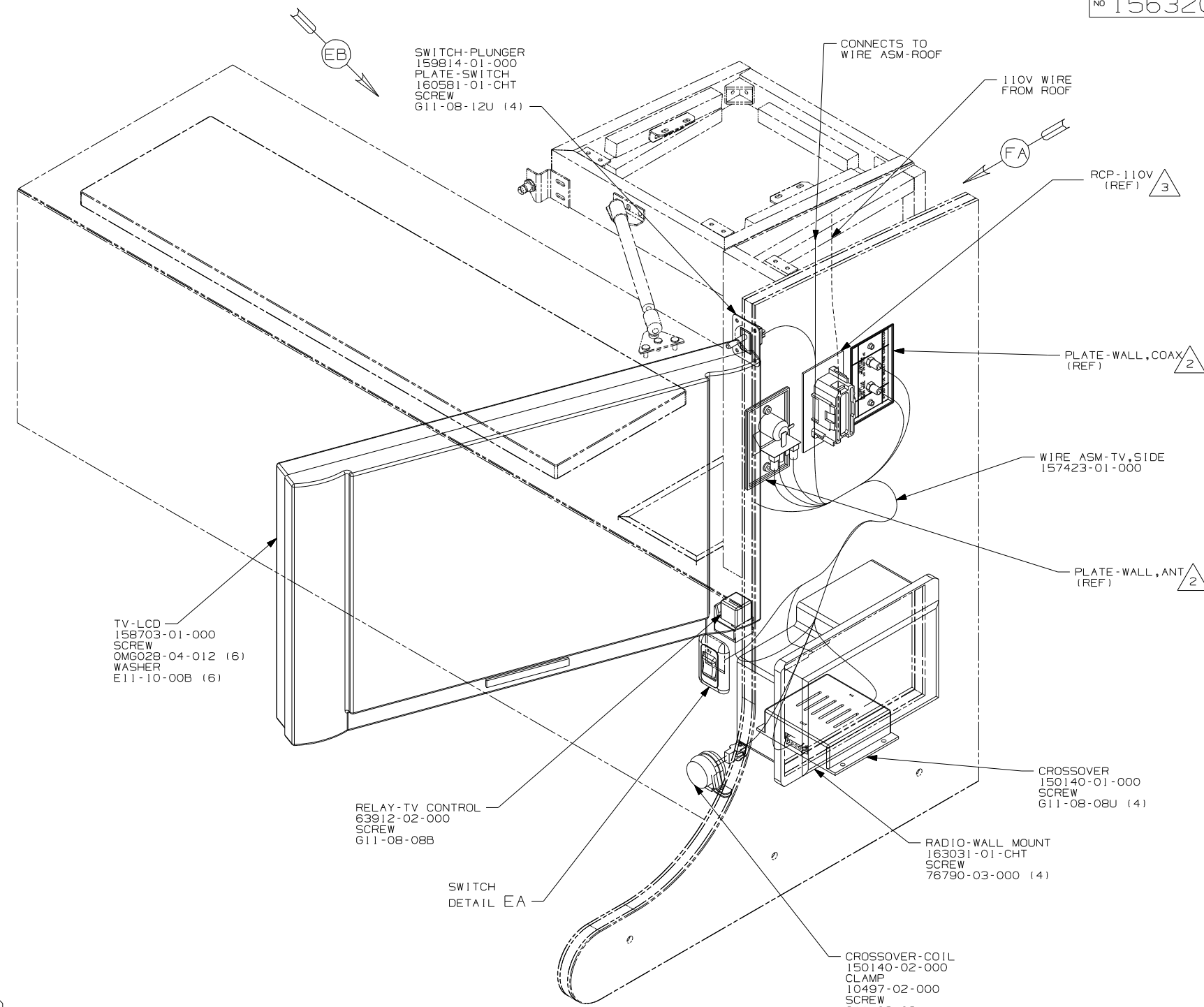
SWITCH-ROCKER  
 135740-01-CHT  
 SWITCH-BASE  
 135741-01-CHT  
 SWITCH-BEZEL  
 135742-45-CHT  
 SCREW  
 611-08-08U (2)

DETAIL EA



VIEW EB

TIE-WIRE, MOUNT  
 155366-01-000  
 TIE-WIRE  
 8343-01-000 (3)  
 CONVOLUTE-TUBING  
 41953-05-000  
 (CUT LENGTH 650MM)



TV-LCD  
 158703-01-000  
 SCREW  
 OMG028-04-012 (6)  
 WASHER  
 E11-10-00B (6)

RELAY-TV CONTROL  
 63912-02-000  
 SCREW  
 611-08-08B

SWITCH  
 DETAIL EA

SWITCH-PLUNGER  
 159814-01-000  
 PLATE-SWITCH  
 160581-01-CHT  
 SCREW  
 611-08-12U (4)

CONNECTS TO  
 WIRE ASM-ROOF

110V WIRE  
 FROM ROOF

RCP-110V  
 (REF) 3

PLATE-WALL, COAX  
 (REF) 2

WIRE ASM-TV, SIDE  
 157423-01-000

PLATE-WALL, ANT  
 (REF) 2

CROSSOVER  
 150140-01-000  
 SCREW  
 611-08-08U (4)

RADIO-WALL MOUNT  
 163031-01-CHT  
 SCREW  
 76790-03-000 (4)

CROSSOVER-COIL  
 150140-02-000  
 CLAMP  
 10497-02-000  
 SCREW  
 611-08-08U

- 4 COVER WIRES, COAX, AND RCA-CABLES THAT ARE ROUTED TO THE TV WITH CONVOLUTE-TUBING AND SECURE TO TV-SUPPORT WITH TIE-WIRE.
- 3 SEE WIRING INSTL-BODY, 110V FOR ADDITIONAL INFORMATION
- 2 SEE WIRING INSTL-BODY 12V FOR ADDITIONAL INFORMATION

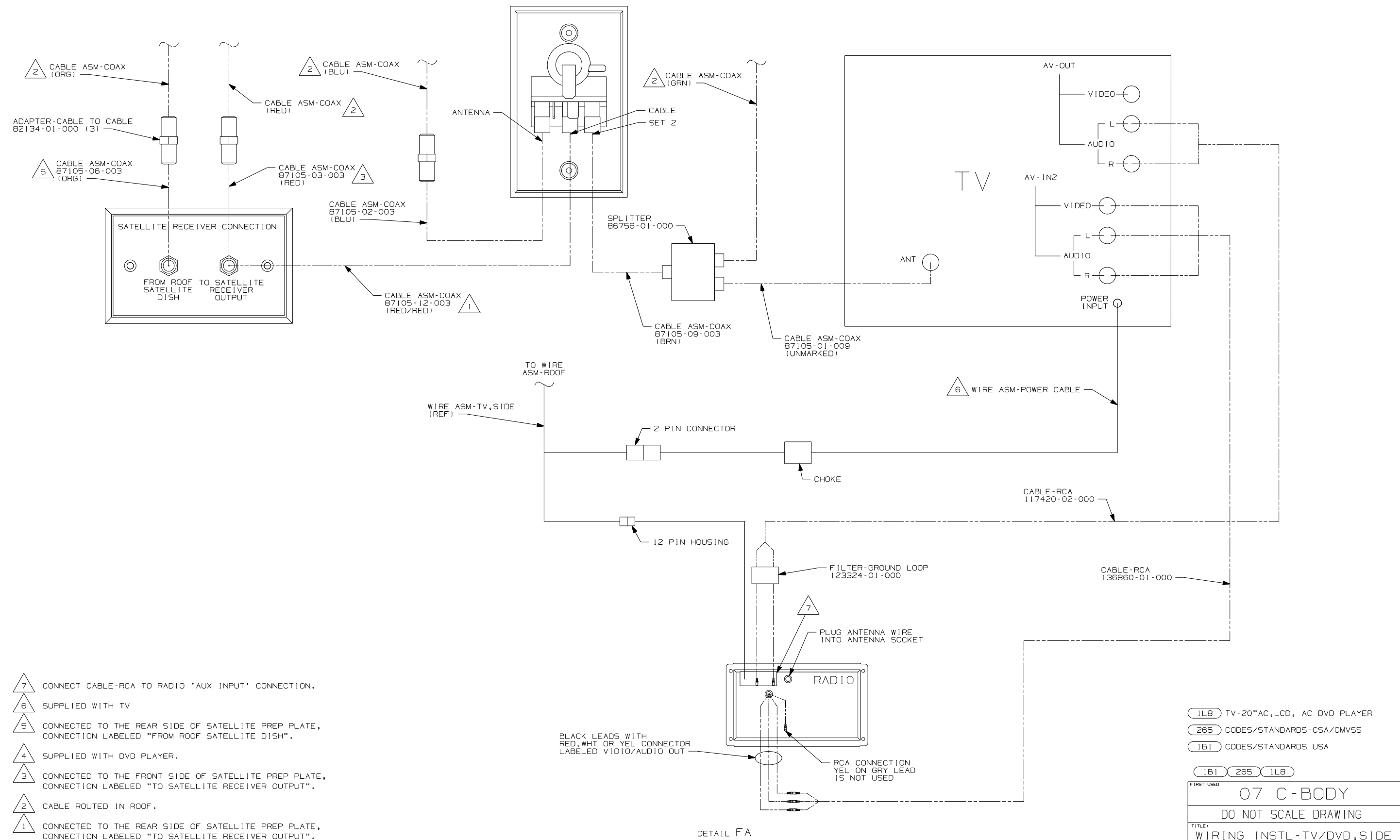
NOTES:  
 1. FOR CONNECTIONS SEE SHT 6.

FOR ELECTRICAL  
 TORQUE  
 SPECIFICATIONS  
 SEE DWG NO.  
 128783-01-000

FOR  
 ELECTRICAL  
 CALLOUTS  
 SEE DWG NO.  
 121339-01-000

- 1LB TV-20"AC, LCD, AC DVD PLAYER
- 265 CODES/STANDARDS-CSA/CMVSS
- 1B1 CODES/STANDARDS USA

FIRST USED	07 C-BODY
TITLE	DO NOT SCALE DRAWING
TITLE	WIRING INSTL-TV/DVD, SIDE
SHEET 5	PART NO 156320 REV



- 7 CONNECT CABLE-RCA TO RADIO 'AUX INPUT' CONNECTION.
- 6 SUPPLIED WITH TV
- 5 CONNECTED TO THE REAR SIDE OF SATELLITE PREP PLATE, CONNECTION LABELED "FROM ROOF SATELLITE DISH".
- 4 SUPPLIED WITH DVD PLAYER.
- 3 CONNECTED TO THE FRONT SIDE OF SATELLITE PREP PLATE, CONNECTION LABELED "TO SATELLITE RECEIVER OUTPUT".
- 2 CABLE ROUTED IN ROOF.
- 1 CONNECTED TO THE REAR SIDE OF SATELLITE PREP PLATE, CONNECTION LABELED "TO SATELLITE RECEIVER OUTPUT".

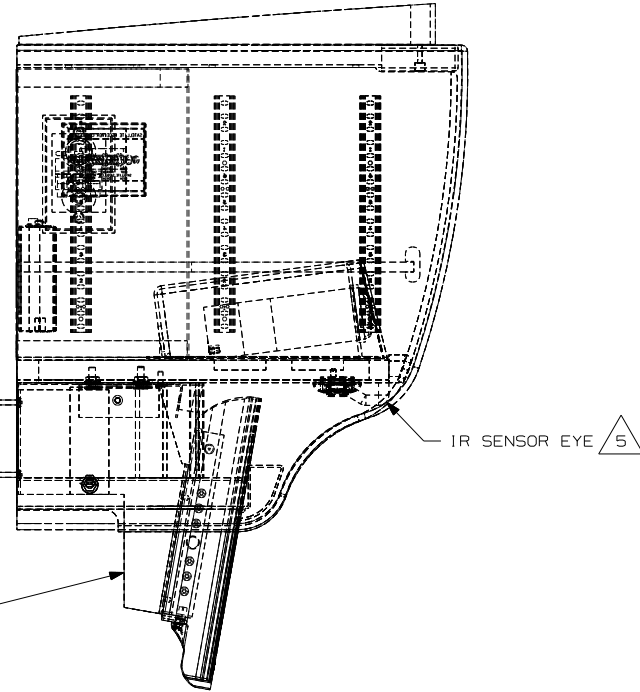
NOTES:

BLACK LEADS WITH RED, WHT OR YEL CONNECTOR LABELED VIDEO/AUDIO OUT

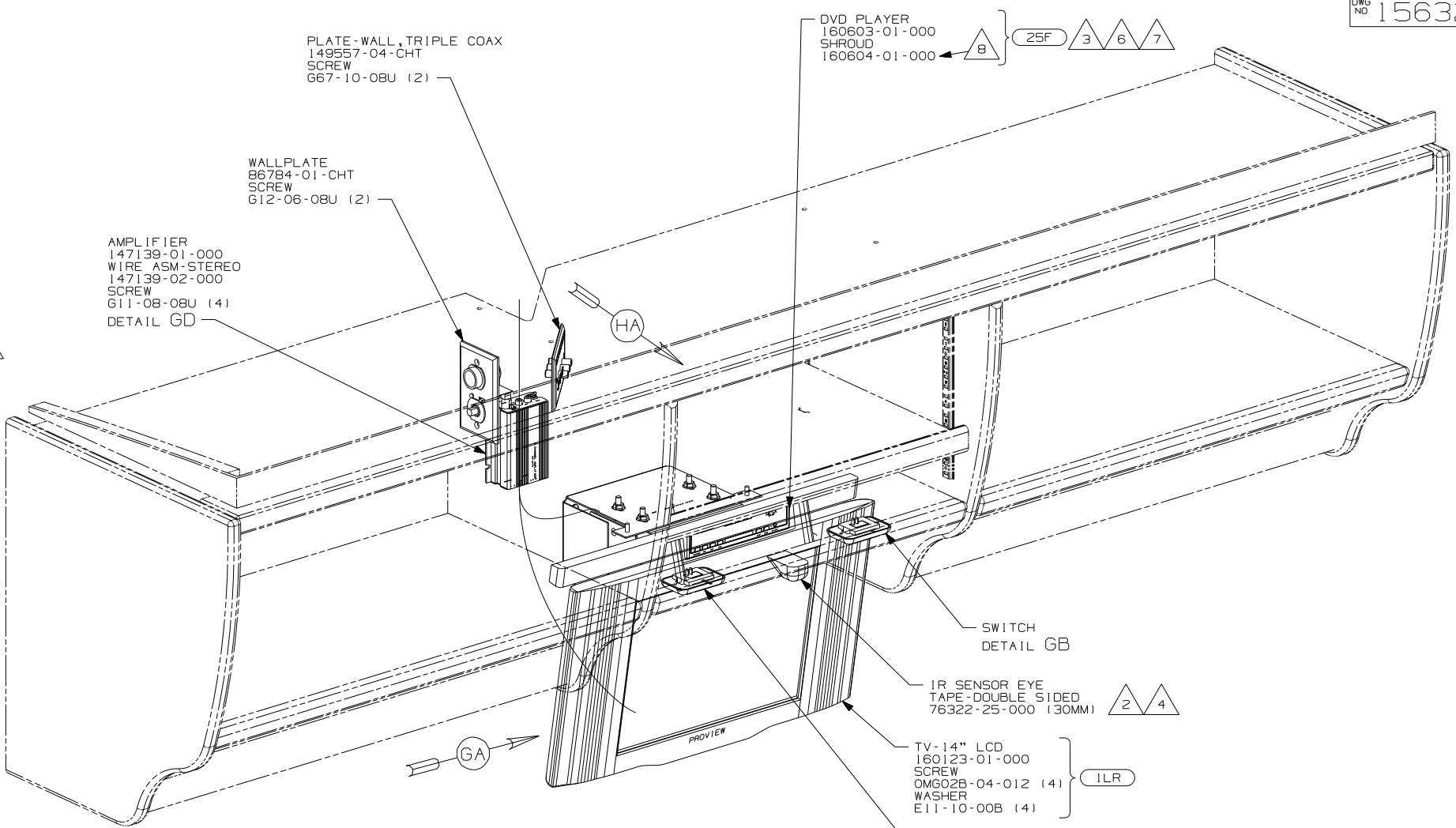
DETAIL FA

- 1L8 TV-20"AC,LCD, AC DVD PLAYER
- 265 CODES/STANDARDS-CSA/CMVSS
- 1B1 CODES/STANDARDS USA

FIRST USED	07 C-BODY	
TITLE:	DO NOT SCALE DRAWING	
	WIRING INSTL-TV/DVD, SIDE	
SHEET 6	PART NO 156320	REV



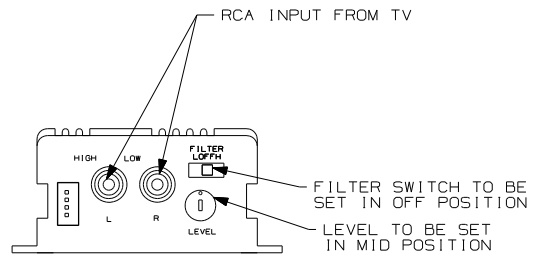
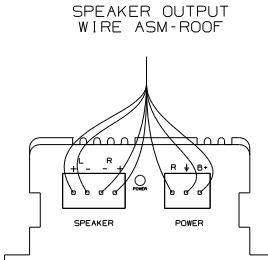
VIEW GA



- BRACKET ASM-SUPPORT, TV
- 152310-02-CHT
- ANGLE-TIE DOWN
- 152603-01-CHT
- SCREW
- G39-10-12U (8)
- NUT
- D39-04-00U (4)
- LUMBER-HDWD
- Y00378-00-472
- BOLT
- C12-04-08D (2)
- NUT
- D39-04-00B (2)

- AMPLIFIER
- 147139-01-000
- WIRE-ASM-STEREO
- 147139-02-000
- SCREW
- G11-08-08U (4)
- DETAIL GD

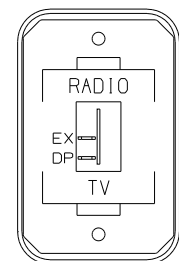
- DVD PLAYER
- 160603-01-000
- SHROUD
- 160604-01-000



DETAIL GD

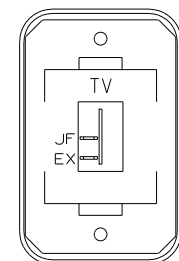
- 8 USE SCREWS SUPPLIED WITH SHROUD.
- 7 INSTALL DVD PLAYER MOUNTING BOX TO SHROUD BY BENDING A MINIMUM OF 2 TABS ON EACH SIDE OF MOUNTING BOX.
- 6 REMOVE SHIPPING RESTRAINT SCREWS FROM DVD PLAYER.
- 5 POSITION IR SENSOR SO THE DOMED PART OF THE SENSOR IS FACING TOWARDS THE INBOARD SIDE OF THE CABINET.
- 4 REMOVE ALL VELCRO FROM IR SENSOR AND ATTACH DOUBLE SIDED TAPE.
- 3 INCLUDE AV ADAPTOR CABLE, WHICH IS SUPPLIED WITH THE DVD PLAYER IN THE INFO CASE.
- 2 IR SENSOR EYE SUPPLIED WITH DVD PLAYER.

NOTES:  
1. FOR CONNECTIONS SEE SHT 10.



- SWITCH-ROCKER
- 135740-01-CHT
- SWITCH-BASE
- 135741-01-CHT
- SWITCH-BEZEL
- 135742-40-CHT
- SCREW
- G11-08-08U (2)

DETAIL GC



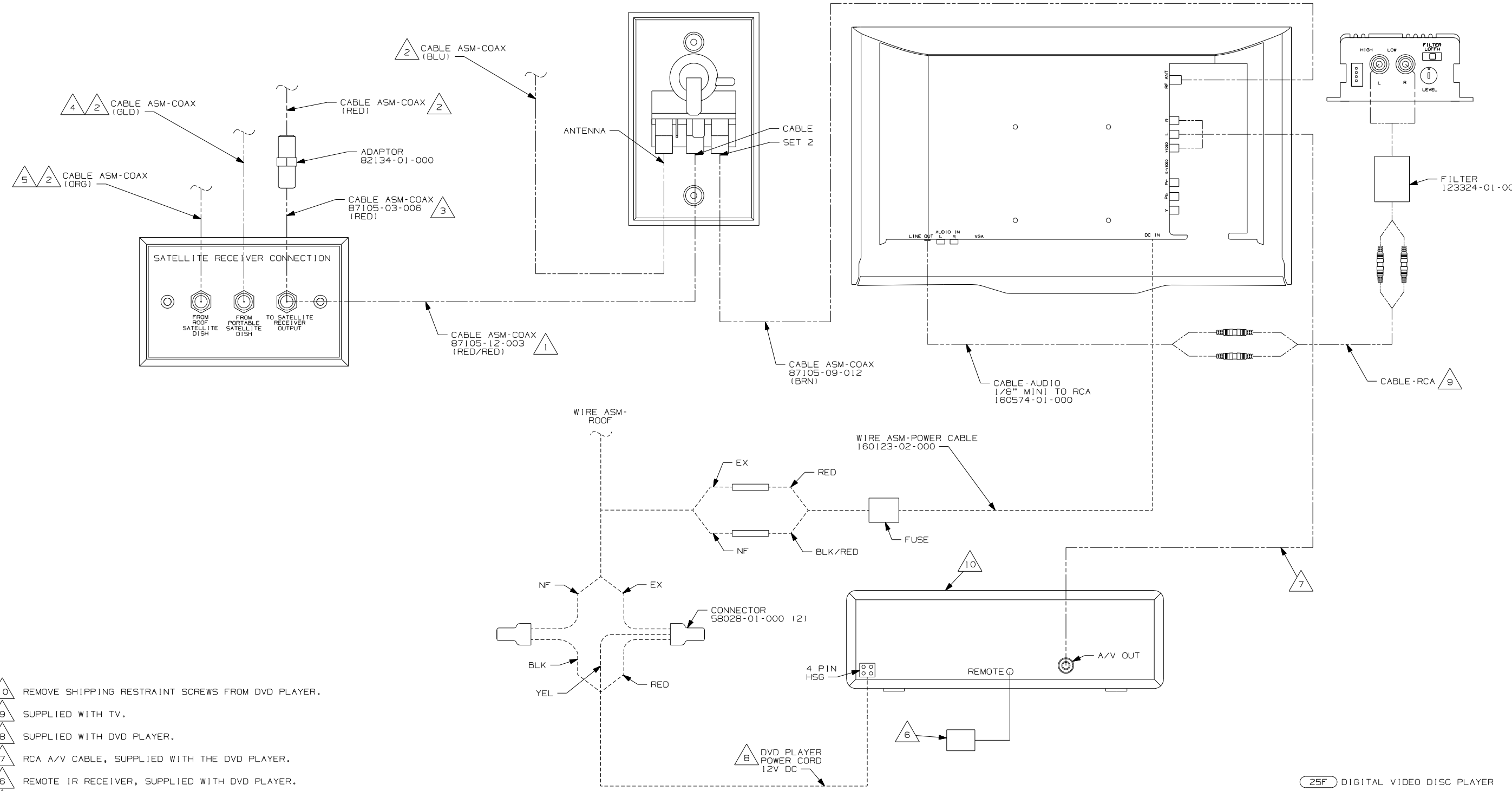
- SWITCH-ROCKER
- 135740-01-CHT
- SWITCH-BASE
- 135741-01-CHT
- SWITCH-BEZEL
- 135742-45-CHT
- SCREW
- G11-08-08U (2)

DETAIL GB

- 25F DIGITAL VIDEO DISC PLAYER
- 1LR TV-14"DC,COLOR,LCD W/REMOTE
- 265 CODES/STANDARDS-CSA/CMVSS
- 1B1 CODES/STANDARDS USA

FIRST USED		07 C-BODY	
DO NOT SCALE DRAWING			
TITLE: WIRING INSTL-TV/DVD, SIDE			
SHEET 7	PART NO	156320	REV





- 10 REMOVE SHIPPING RESTRAINT SCREWS FROM DVD PLAYER.
- 9 SUPPLIED WITH TV.
- 8 SUPPLIED WITH DVD PLAYER.
- 7 RCA A/V CABLE, SUPPLIED WITH THE DVD PLAYER.
- 6 REMOTE IR RECEIVER, SUPPLIED WITH DVD PLAYER.
- 5 CONNECTED TO THE REAR SIDE OF SATELLITE PREP PLATE, CONNECTION LABELED "FROM ROOF SATELLITE DISH".
- 4 CONNECTED TO THE REAR SIDE OF SATELLITE PREP PLATE, CONNECTION LABELED "FROM PORTABLE SATELLITE DISH".
- 3 CONNECTED TO THE FRONT SIDE OF SATELLITE PREP PLATE, CONNECTION LABELED "TO SATELLITE RECEIVER OUTPUT".
- 2 CABLE ROUTED IN ROOF.
- 1 CONNECTED TO THE REAR SIDE OF SATELLITE PREP PLATE, CONNECTION LABELED "TO SATELLITE RECEIVER OUTPUT".

NOTES:

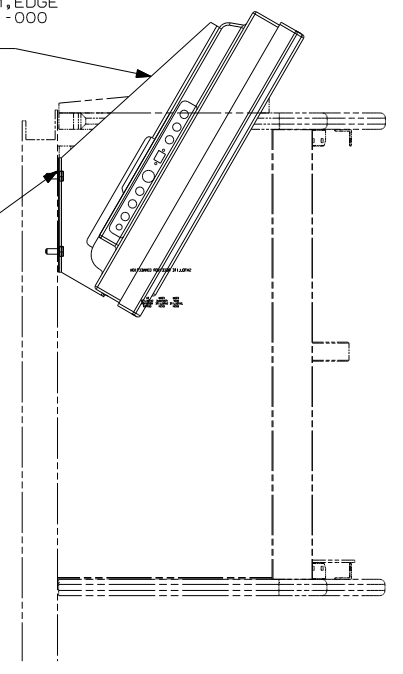
DETAIL HA 1LR 25F

- 25F DIGITAL VIDEO DISC PLAYER
- 1LR TV-14"DC,COLOR,LCD W/REMOTE
- 265 CODES/STANDARDS-CSA/CMVSS
- 1B1 CODES/STANDARDS USA

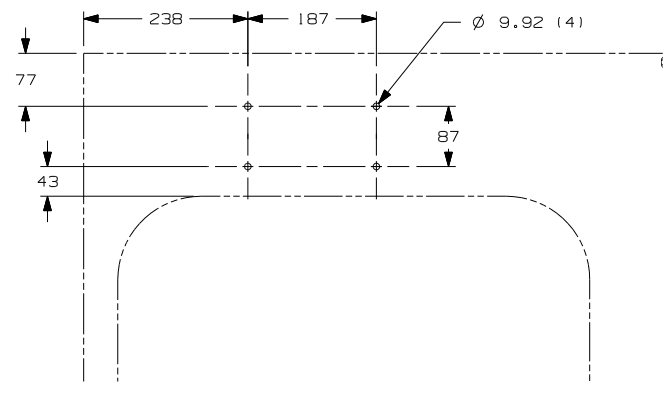
FIRST USED	
07 C-BODY	
DO NOT SCALE DRAWING	
TITLE:	
WIRING INSTL-TV/DVD,SIDE	
SHEET 8	PART NO 156320
REV	

SEAL - TRIM, EDGE  
115870-01-000  
(2301)  
(2 PLCS)

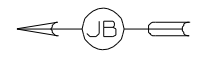
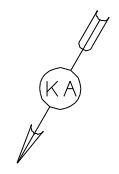
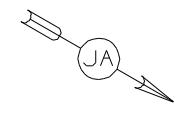
ILK  
2  
BRACKET-TV  
158394-01-CHT  
BOLT  
C12-04-10U (4)  
NUT-SERT-1/4-20  
39715-05-000



VIEW JA



DETAIL JB ILK



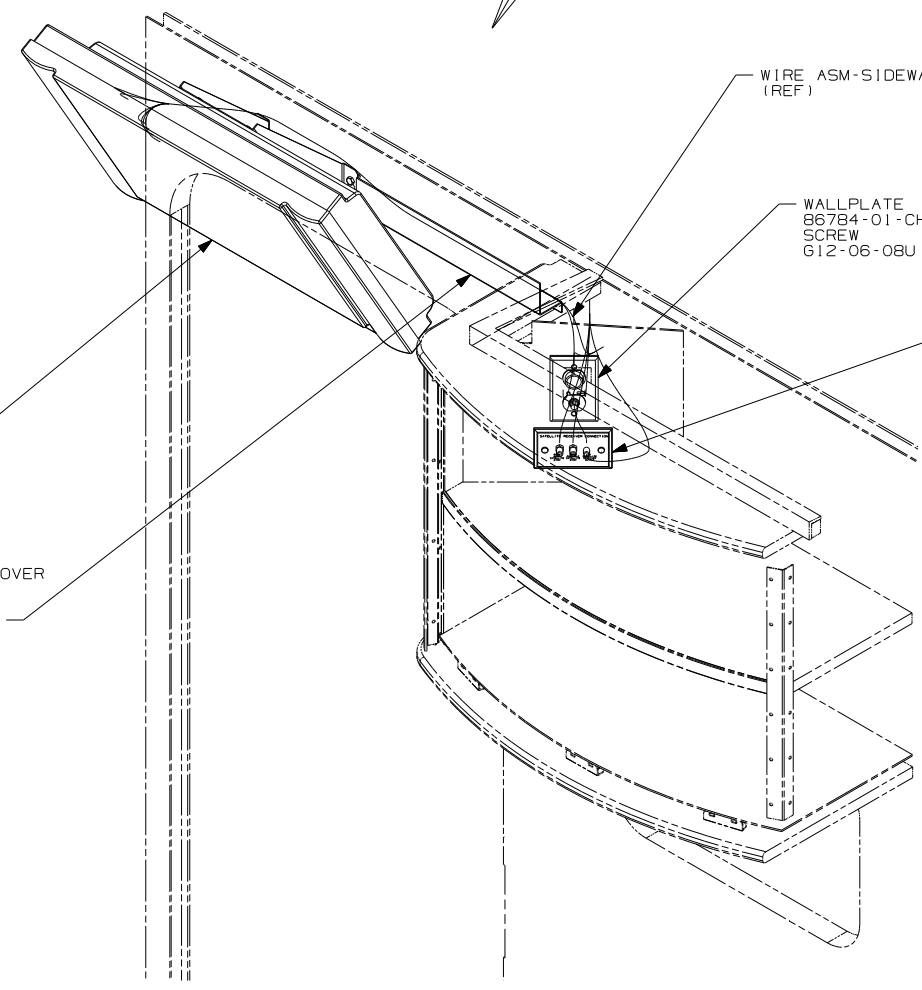
1 ILK  
TV-20",LCD  
158703-01-000  
SCREW  
OMG02B-04-012 (6)  
WASHER  
E11-10-00B (6)

ILK  
CHANNEL-WIRE COVER  
158460-01-CHT  
SCREW  
G39-08-08U (3)

WIRE ASM-SIDEWALL  
(REF)

1  
WALLPLATE  
86784-01-CHT  
SCREW  
G12-06-08U (2)

1  
PLATE-WLL,TRIPLE COAX  
149557-04-CHT  
SCREW  
G67-10-08U (2)



2 REMOVE PANELING SO NUT-SERT CLAMPS JUST THE INNER WALL OF THE SIDEWALL TUBE.

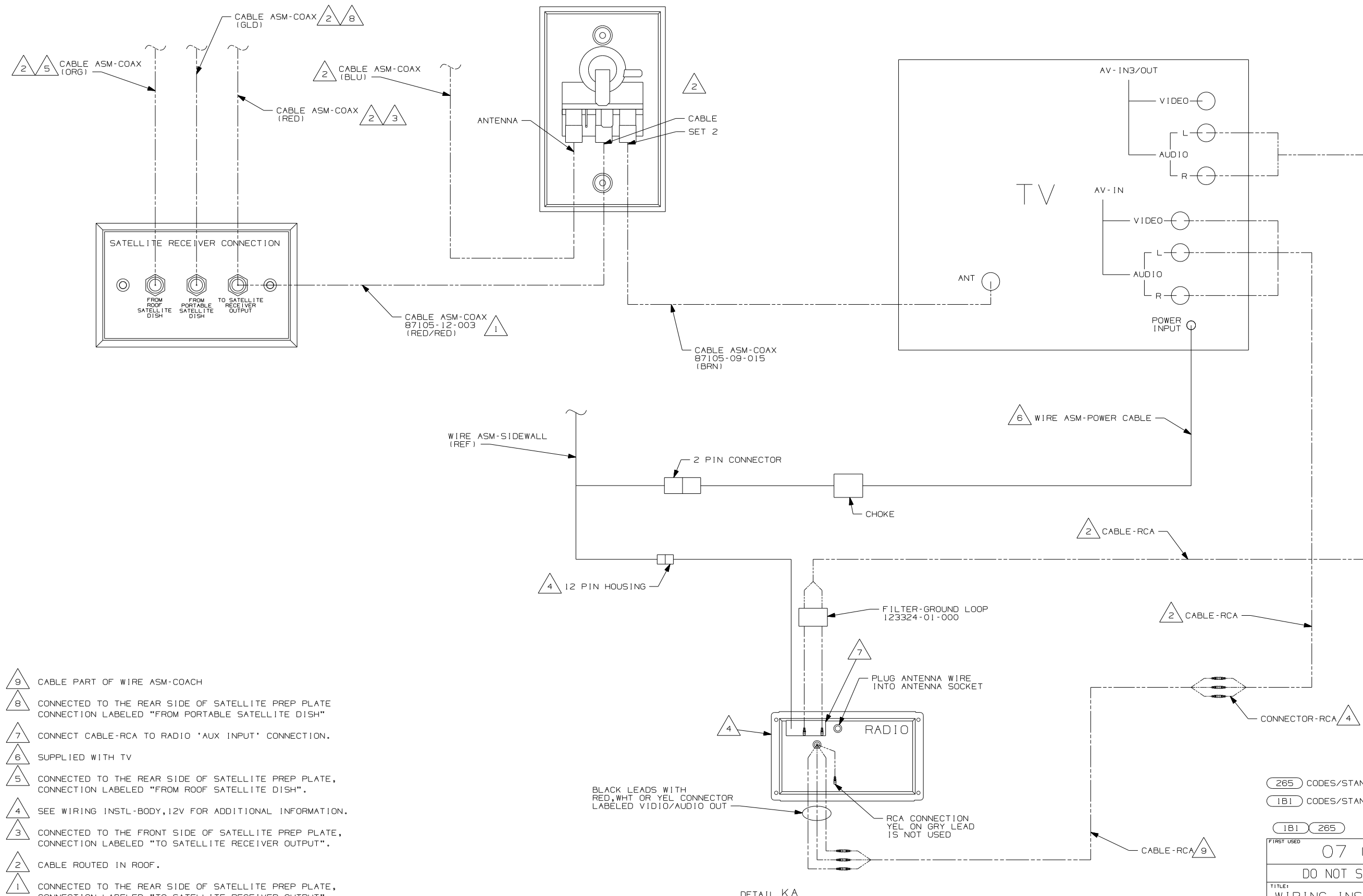
1 FOR CONNECTIONS SEE SHEET 10.

NOTES:

- ILK TV-20"DC,COLOR,LCD W/REMOTE
- 265 CODES/STANDARDS-CSA/CMVSS
- 1B1 CODES/STANDARDS USA

1B1 265

FIRST USED	07 C-BODY	
TITLE	DO NOT SCALE DRAWING	
TITLE	WIRING INSTL-TV/DVD, SIDE	
SHEET 9	PART NO 156320	REV



- 9 CABLE PART OF WIRE ASM-COACH
- 8 CONNECTED TO THE REAR SIDE OF SATELLITE PREP PLATE CONNECTION LABELED "FROM PORTABLE SATELLITE DISH"
- 7 CONNECT CABLE-RCA TO RADIO 'AUX INPUT' CONNECTION.
- 6 SUPPLIED WITH TV
- 5 CONNECTED TO THE REAR SIDE OF SATELLITE PREP PLATE, CONNECTION LABELED "FROM ROOF SATELLITE DISH".
- 4 SEE WIRING INSTL-BODY, 12V FOR ADDITIONAL INFORMATION.
- 3 CONNECTED TO THE FRONT SIDE OF SATELLITE PREP PLATE, CONNECTION LABELED "TO SATELLITE RECEIVER OUTPUT".
- 2 CABLE ROUTED IN ROOF.
- 1 CONNECTED TO THE REAR SIDE OF SATELLITE PREP PLATE, CONNECTION LABELED "TO SATELLITE RECEIVER OUTPUT".

265	CODES/STANDARDS-CSA/CMVSS
1B1	CODES/STANDARDS USA
1B1	265
FIRST USED	
07 C-BODY	
DO NOT SCALE DRAWING	
TITLE:	
WIRING INSTL-TV/DVD, SIDE	
SHEET 10	PART NO 156320
REV	

2 SPEAKER-CUBE  
148026-03-000 (2)  
SPEAKER-GRILLE,CUBE  
148026-02-CHT (2)  
SCREW  
G11-08-08U (8)

PLATE-WALL,TRIPLE COAX  
149557-04-CHT  
SCREW  
G67-10-08U (2)

WALLPLATE  
86784-01-CHT  
SCREW  
G12-06-08U (2)

110V RCP  
(REF)

BRACKET-TV  
159552-01-CHT  
SCREW  
G11-10-16B (6)  
WASHER  
E13-14-00B (4)

VIEW LA

2 1LK TV-LCD  
158703-01-000  
SCREW  
OMG02B-04-012 (4)  
WASHER  
E11-10-00B (4)

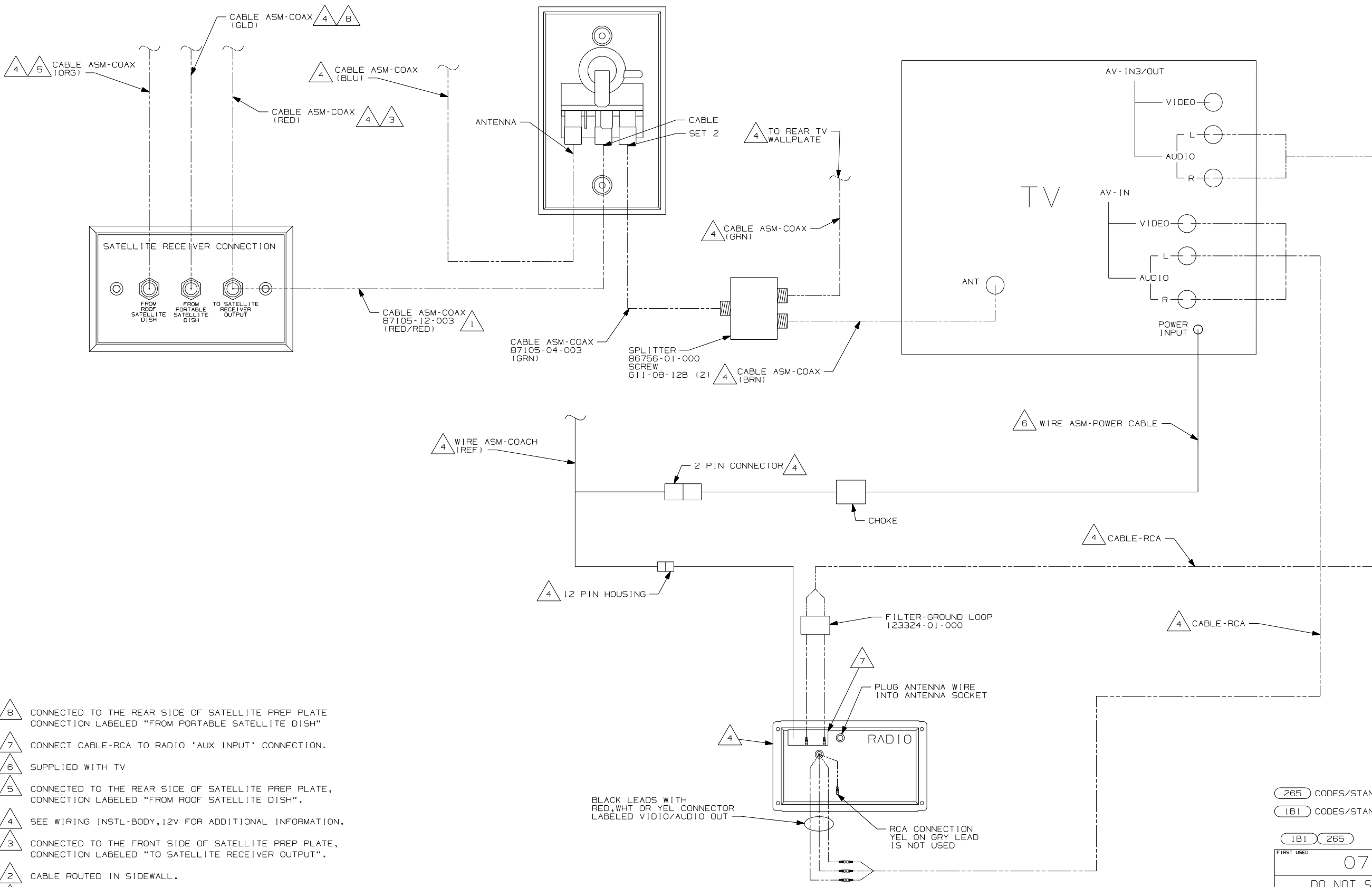
2 SEE WIRING INSTL-BODY,12V AND WIRE ASM-COACH FOR ADDITIONAL INFORMATION.

NOTES:  
1. FOR CONNECTIONS SEE SHEET 12.

1LK TV-20"DC,COLOR,LCD W/REMOTE  
265 CODES/STANDARDS-CSA/CMVSS  
1B1 CODES/STANDARDS USA

1B1 265

FIRST USED	07 523B	
TITLE	DO NOT SCALE DRAWING	
TITLE	WIRING INSTL-TV/DVD,SIDE	
SHEET 11	PART NO 156320	REV



- 8 CONNECTED TO THE REAR SIDE OF SATELLITE PREP PLATE CONNECTION LABELED "FROM PORTABLE SATELLITE DISH"
- 7 CONNECT CABLE-RCA TO RADIO 'AUX INPUT' CONNECTION.
- 6 SUPPLIED WITH TV
- 5 CONNECTED TO THE REAR SIDE OF SATELLITE PREP PLATE, CONNECTION LABELED "FROM ROOF SATELLITE DISH".
- 4 SEE WIRING INSTL-BODY, 12V FOR ADDITIONAL INFORMATION.
- 3 CONNECTED TO THE FRONT SIDE OF SATELLITE PREP PLATE, CONNECTION LABELED "TO SATELLITE RECEIVER OUTPUT".
- 2 CABLE ROUTED IN SIDEWALL.
- 1 CONNECTED TO THE REAR SIDE OF SATELLITE PREP PLATE, CONNECTION LABELED "TO SATELLITE RECEIVER OUTPUT".

NOTES:

DETAIL MA

265	CODES/STANDARDS-CSA/CMVSS
1B1	CODES/STANDARDS USA
1B1	265
FIRST USED	07 523B
DO NOT SCALE DRAWING	
TITLE: WIRING INSTL-TV/DVD, SIDE	
SHEET 12	PART NO 156320 REV