



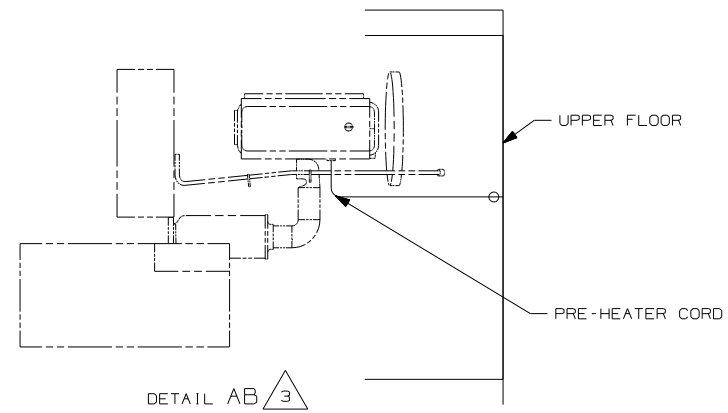
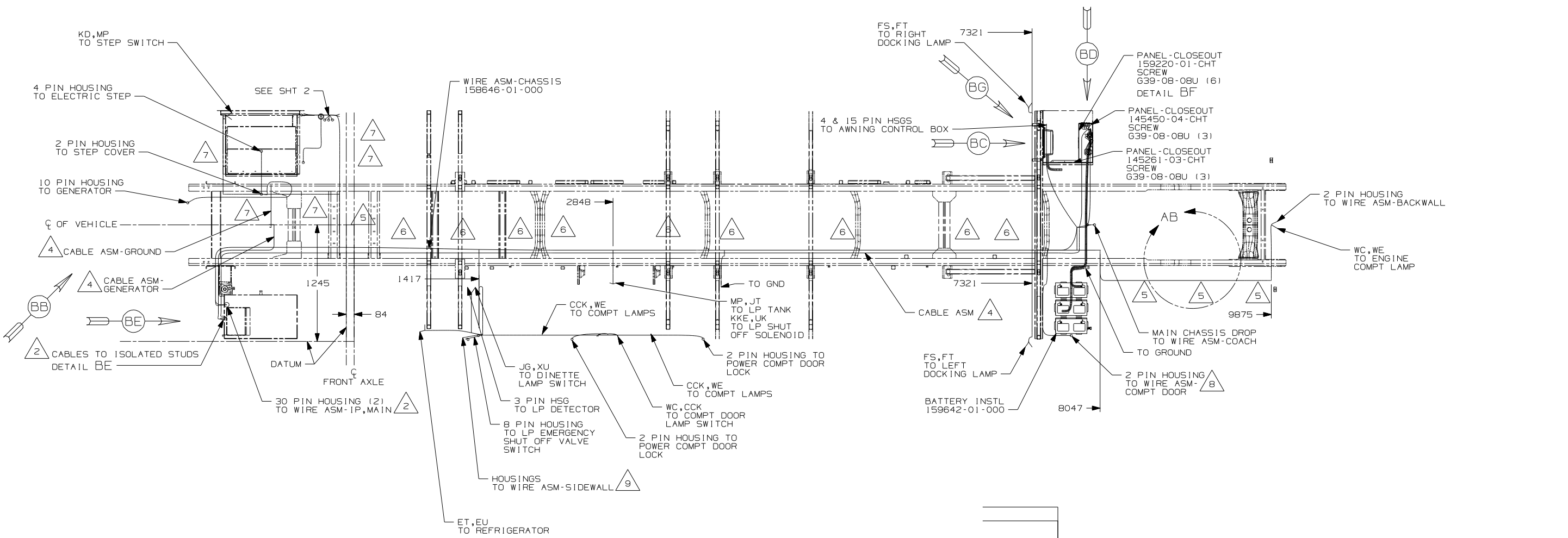
**DANGER**

**Danger of electrical shock, burns or death.** Always remove all power sources before attempting any repair, service or diagnostic work. Power can be present from shore power, generator, inverter or battery. All power sources must be disabled and secured before performing any service.



**CAUTION**

If you lack the skills, tools or equipment to perform diagnostic or repair work leave such work to an authorized Winnebago Industries dealer or other qualified shop.



- 9 SEE WIRE ASM-CHASSIS FOR ADDITIONAL INFORMATION.
- 8 ROUTE AND CLAMP WIRE ALONG UPPER TUBE IN BATTERY COMPT.
- 7 CLAMP 10497-03-000, SCREW G39-08-12B
- 6 CLAMP 83610-01-000, SCREW G39-08-12B
- 5 USE TIE-WIRE 8343-04-000 TO SECURE WIRES TO FLOOR SUPPORT FRAME AT LEAST ONCE EVERY 600MM.
- 4 SEE BATTERY INSTL FOR ADDITIONAL INFORMATION.
- 3 SECURE CORD AWAY FROM ALL MOVING PARTS AND EXHAUST WITH TIE-WIRE 93147-01-000 AS REQUIRED.
- 2 SEE WIRING INSTL-FRONT END FOR ADDITIONAL INFORMATION.

- 10 MOUNT FUSE HOLDER HORIZONTALLY 20MM DOWN FROM FLOOR TUBE.
- 9 CONNECT RING TERMINAL OF CABLE ASM-TEMP,BATTERY TO NEGATIVE POST AS SHOWN AND ROUTE CABLE WITH NEGATIVE BATTERY CABLE TO INVERTER.

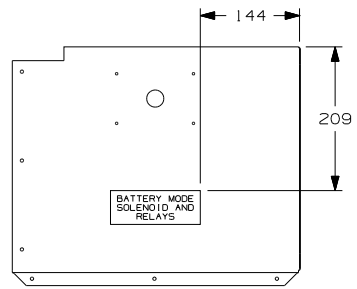
FOR ELECTRICAL TORQUE SPECIFICATIONS SEE DWG NO. 128783-01-000

FOR ELECTRICAL CALLOUTS SEE DWG NO. 121339-01-000

- 1FC FREIGHTLINER CHASSIS-24,850#
- 265 CODES/STANDARDS-CSA/CMVSS
- 1B1 CODES/STANDARDS-USA

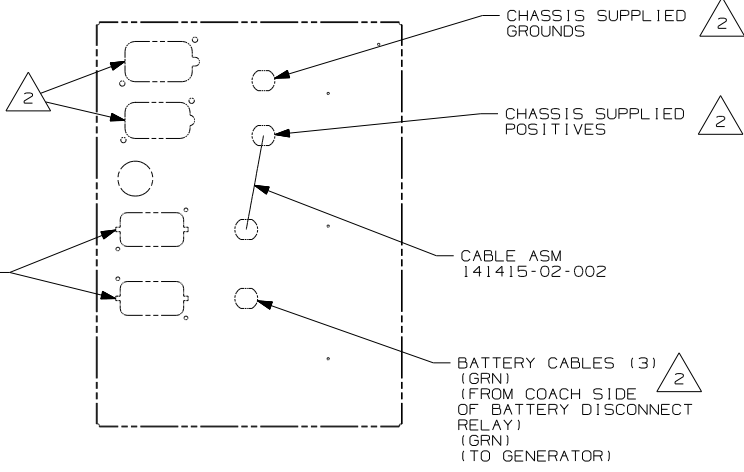
<b>WINNEBAGO</b>		COPYRIGHT 2006 WINNEBAGO INDUSTRIES, INC.	
DFTR	ORIG. DATE		
CHKR	ALL DIMENSIONS ARE IN MILLIMETERS		
P.E.			
M.E.	FIRST USED	07 S40TD	
DSNR			
UNSPECIFIED TOLERANCES ARE:		MATERIAL:	
WHOLE DIM (X)	: 3		
ONE-PLACE (X.X)	: 1.5		
TWO-PLACE (X.XX)	: 0.50		
ANGLE	: 1°		
THIRD ANGLE PROJECTION	DO NOT SCALE DRAWING		
TITLE: WIRING INSTL-CHASSIS			
SHEET 1 of 2	PART NO	158642	
REF:	1 12/19/2006		

1. LEGEND: — WINNEBAGO: - - - - - CABLE: - - - - - CHASSIS SUPPLIED WIRING.

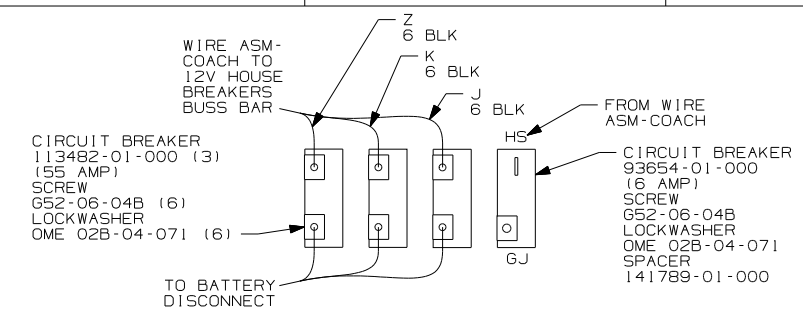


DETAIL BF

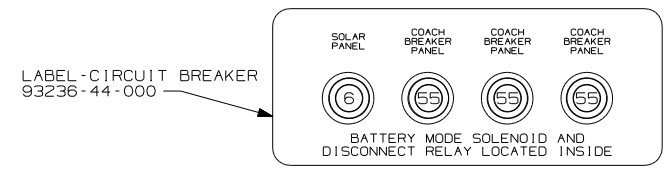
2 30 PIN HOUSING (2)  
TO WIRE ASM-IP, MAIN



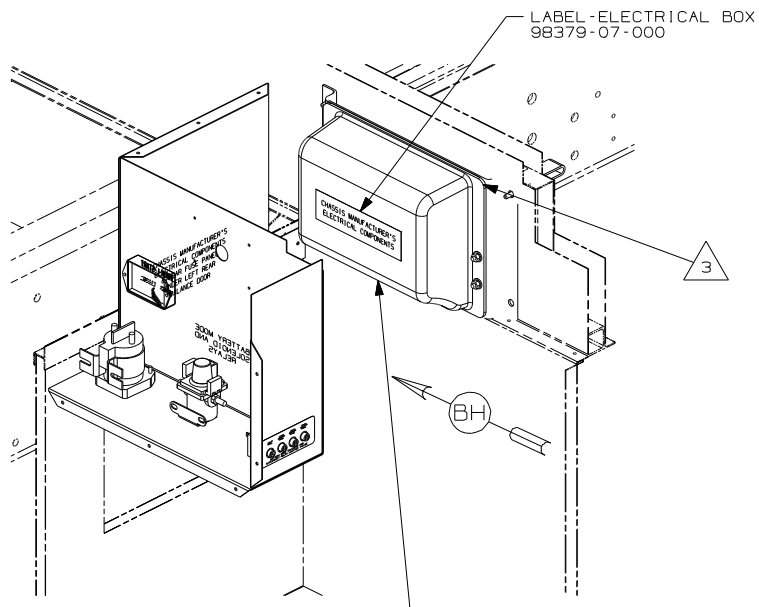
DETAIL BE



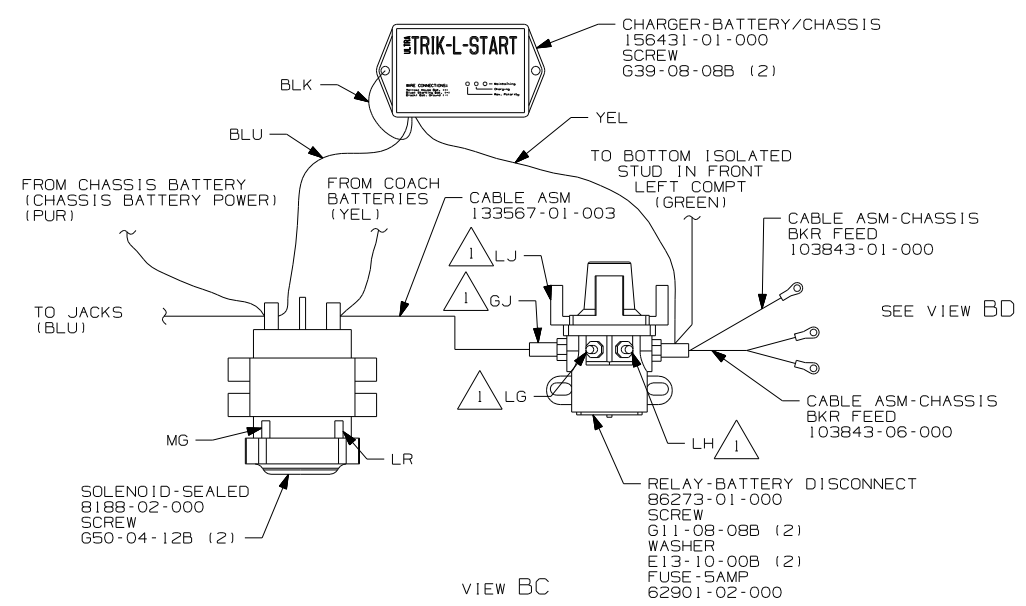
VIEW BD  
(BACK VIEW-COMPONENTS)



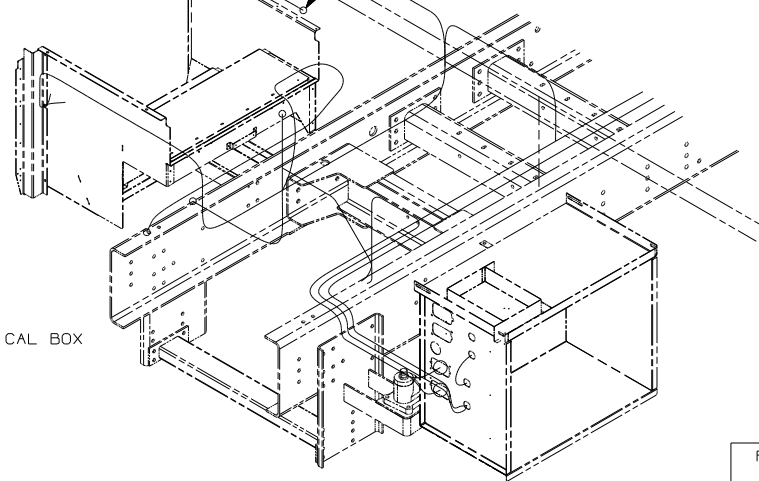
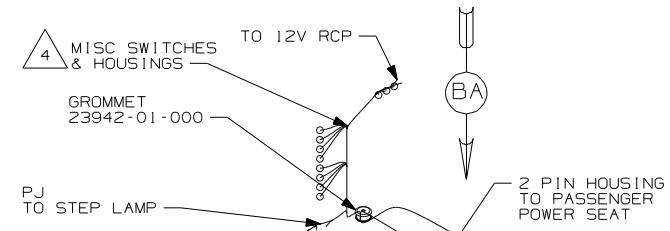
VIEW BD



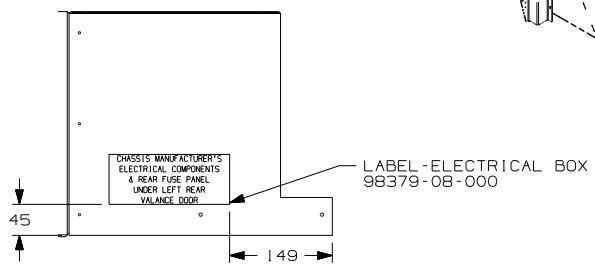
VIEW BG



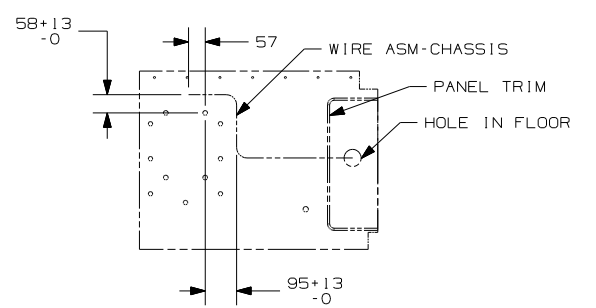
VIEW BC



VIEW BB



VIEW BH



DETAIL BA

- NOTES:
- 4 SEE WIRE ASM-CHASSIS FOR ADDITIONAL INFORMATION.
  - 3 BOX TO BE ORIENTED SO CHASSIS WIRING ROUTES OUT THE TOP RIGHT CORNER.
  - 2 SEE WIRING INSTL-FRONT END FOR ADDITIONAL INFORMATION.
  - 1 CIRCUITS BRANCH FROM WIRE ASM-CHASSIS.

FOR ELECTRICAL TORQUE SPECIFICATIONS SEE DWG NO. 128783-01-000

FOR ELECTRICAL CALLOUTS SEE DWG NO. 121339-01-000

FIRST USED	07 S40TD
DO NOT SCALE DRAWING	
TITLE:	WIRING INSTL-CHASSIS
SHEET 2	PART NO 158642 REV