



DANGER

Danger of electrical shock, burns or death. Always remove all power sources before attempting any repair, service or diagnostic work. Power can be present from shore power, generator, inverter or battery. All power sources must be disabled and secured before performing any service.

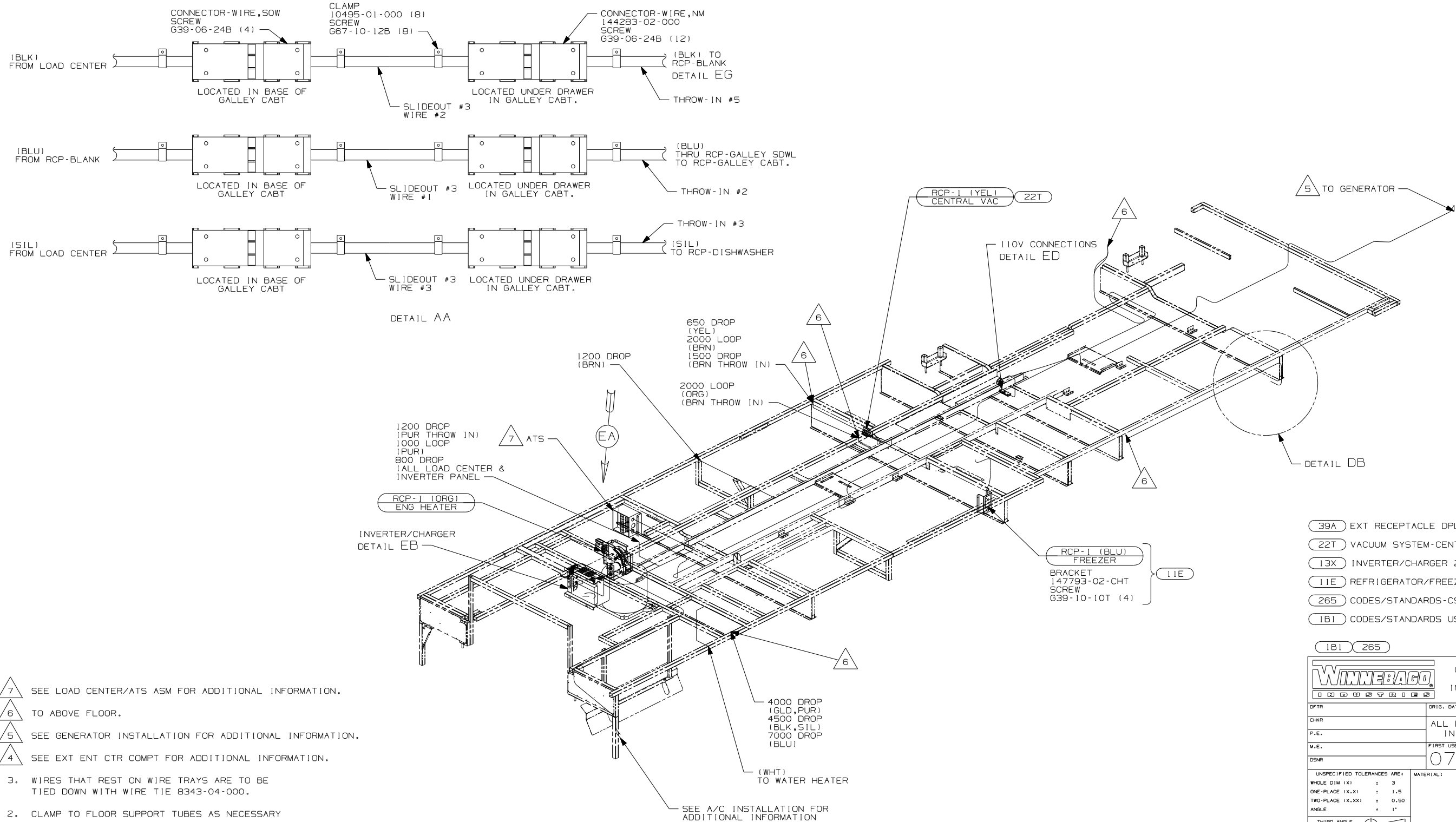


CAUTION

If you lack the skills, tools or equipment to perform diagnostic or repair work leave such work to an authorized Winnebago Industries dealer or other qualified shop.

DRAWING NO.	FEATURE
156177-01
156177-14	(1B1) (78J) (13X)
156177-18	(265) (78J) (13X)

RELEASE	REV DATE	DWG NO
	A	156177
REV ZONE	REVISION RECORD	DATE
		DTR-0016



- 7 SEE LOAD CENTER/ATS ASM FOR ADDITIONAL INFORMATION.
- 6 TO ABOVE FLOOR.
- 5 SEE GENERATOR INSTALLATION FOR ADDITIONAL INFORMATION.
- 4 SEE EXT ENT CTR COMPT FOR ADDITIONAL INFORMATION.

3. WIRES THAT REST ON WIRE TRAYS ARE TO BE TIED DOWN WITH WIRE TIE 8343-04-000.
2. CLAMP TO FLOOR SUPPORT TUBES AS NECESSARY WITH CLAMP 10497-01-000.
1. ALL WIRES TO BE SECURED WITH CLAMP 10495 OR 10497 OR WIRE TIE 8343 OR 108046 EVERY 600MM, USE SCREW 667-XX-XXX OR 656-XX-XXX AS APPROPRIATE FOR INSTALLATION.

NOTES:

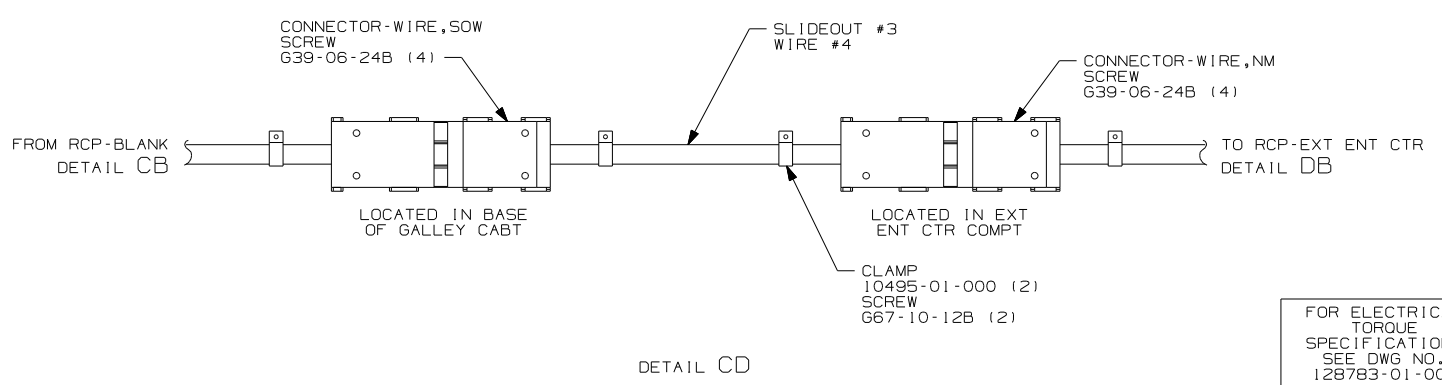
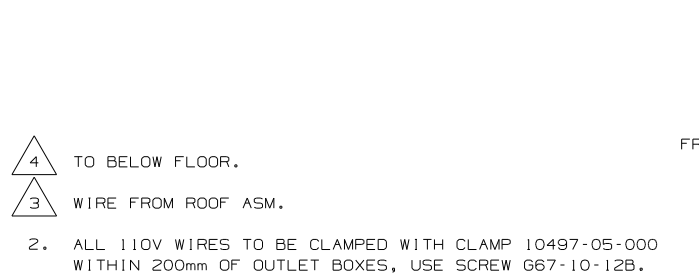
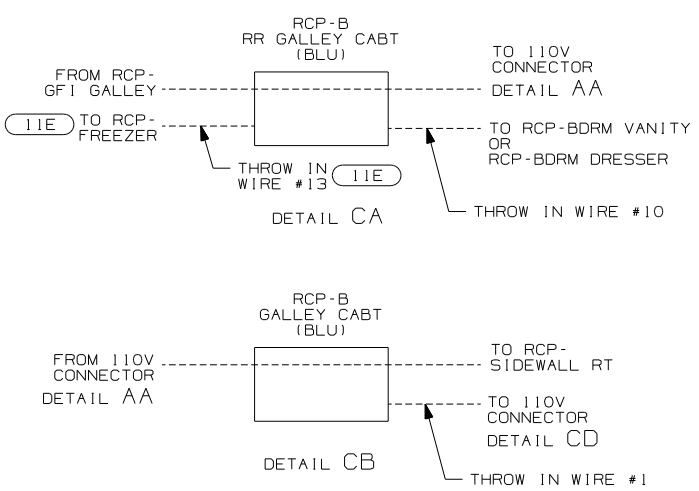
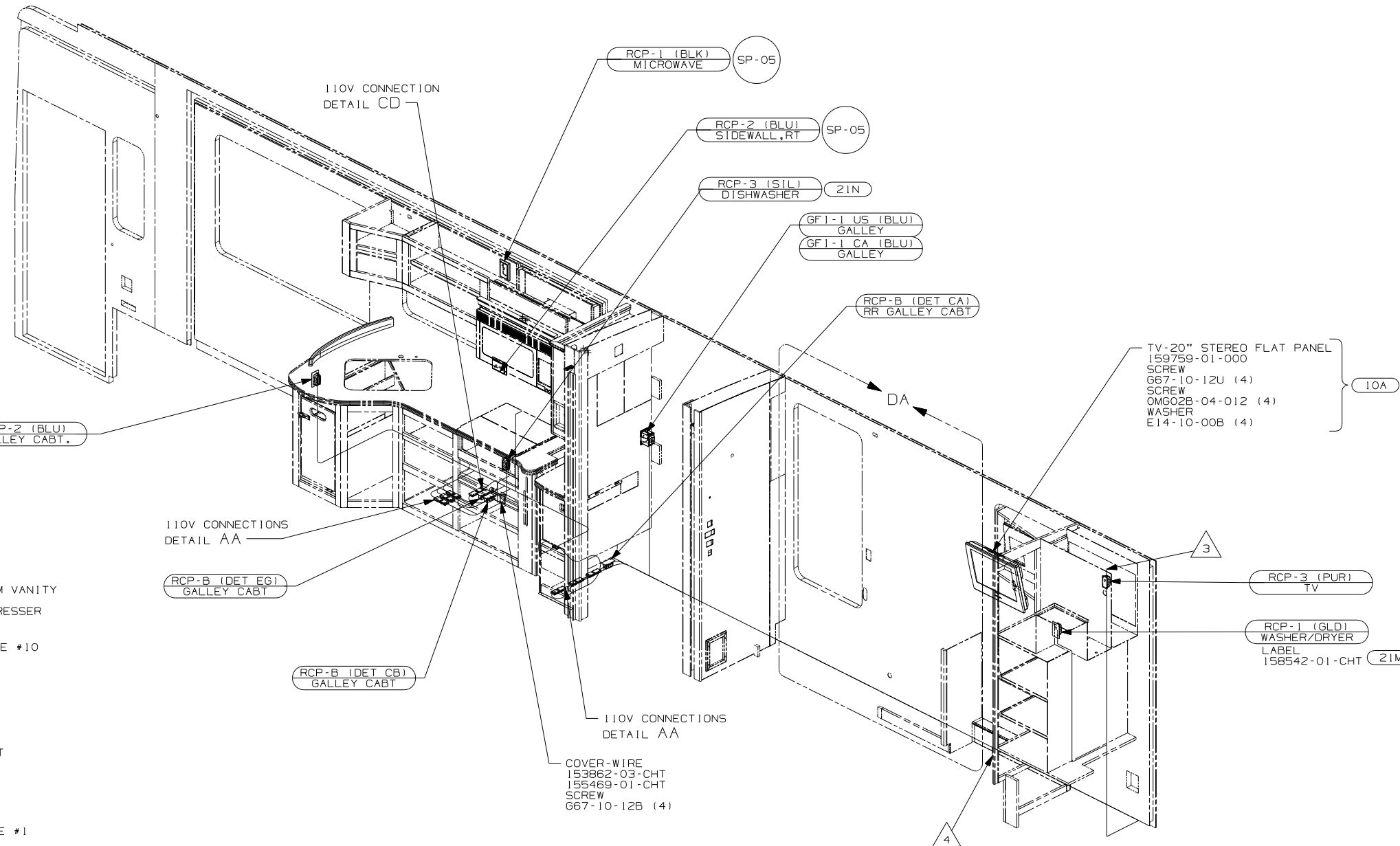
- (39A) EXT RECEPTACLE DPLX 120VAC
- (22T) VACUUM SYSTEM-CENTRAL
- (13X) INVERTER/CHARGER 2.0 KW
- (11E) REFRIGERATOR/FREEZER PORTABL
- (265) CODES/STANDARDS-CSA/CMVSS
- (1B1) CODES/STANDARDS USA

WINNEBAGO		COPYRIGHT 2006 WINNEBAGO INDUSTRIES, INC.	
DTR	ORIG. DATE		
CHKR	ALL DIMENSIONS ARE IN MILLIMETERS		
P.E.			
M.E.	FIRST USED		
DSNR	07 S40KD		
UNSPECIFIED TOLERANCES ARE:		MATERIAL:	
WHOLE DIM (X)	: 3		
ONE-PLACE (X.X)	: 1.5		
TWO-PLACE (X.XX)	: 0.50		
ANGLE	: 1°		
THIRD ANGLE PROJECTION			

DO NOT SCALE DRAWING	
TITLE: WIRING INSTL-BODY, 110V	
SHEET 1 of 5	PART NO 156177
REF:	1 12/19/2006

FOR ELECTRICAL
TORQUE
SPECIFICATIONS
SEE DWG NO.
128783-01-000

(X-X)
FOR
ELECTRICAL
CALLOUTS
SEE DWG NO.
121339-01-000



- (21M) WASHER/DRYER PREP
- (11E) REFRIGERATOR/FREEZER PORTABL
- (10A) TV (REAR)-20\"/>

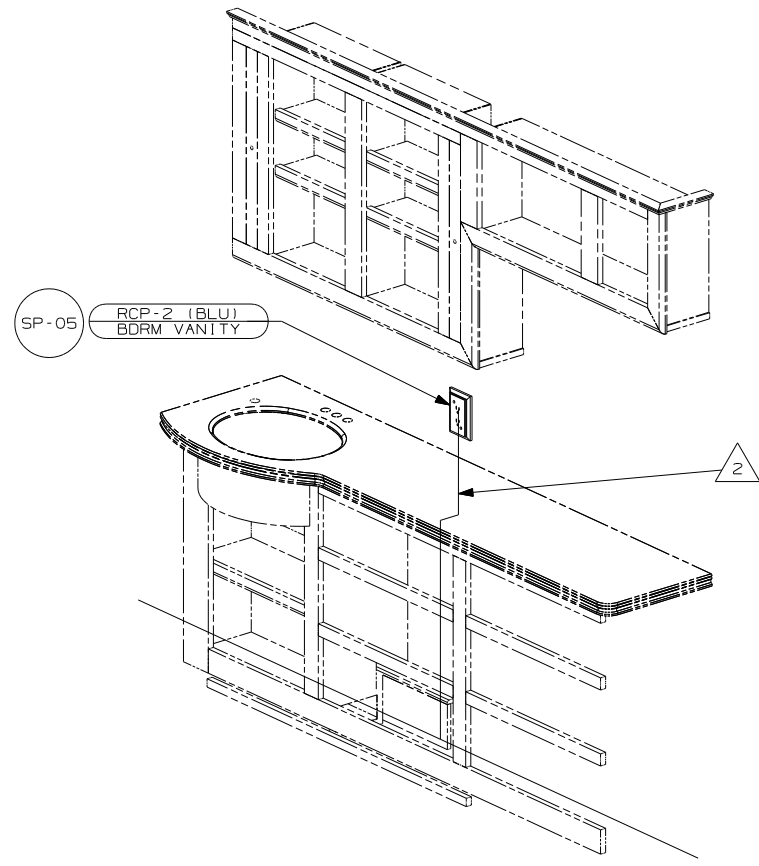
- △ 4 TO BELOW FLOOR.
- △ 3 WIRE FROM ROOF ASM.

- NOTES:
2. ALL 110V WIRES TO BE CLAMPED WITH CLAMP 10497-05-000 WITHIN 200mm OF OUTLET BOXES, USE SCREW G67-10-12B.
 1. ALL WIRES TO BE SECURED WITH CLAMP 10495 OR 10497 OR WIRE TIE 8343 OR 108046 EVERY 600MM, USE SCREW G67-XX-XXX OR G56-XX-XXX AS APPROPRIATE FOR INSTALLATION.

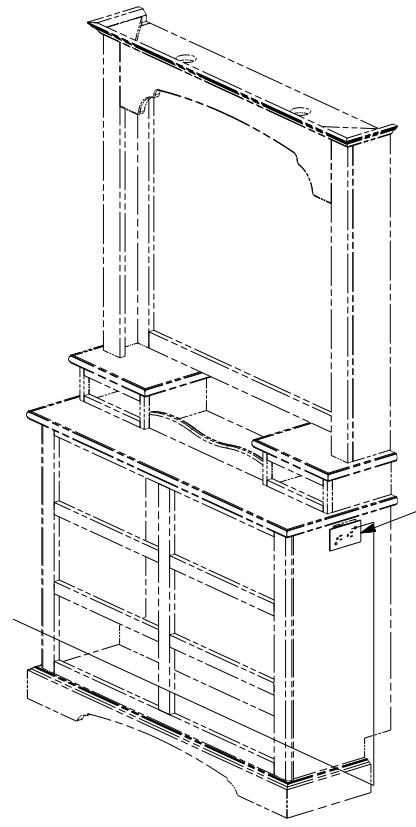
FOR ELECTRICAL TORQUE SPECIFICATIONS SEE DWG NO. 128783-01-000

FOR ELECTRICAL CALLOUTS SEE DWG NO. 121339-01-000

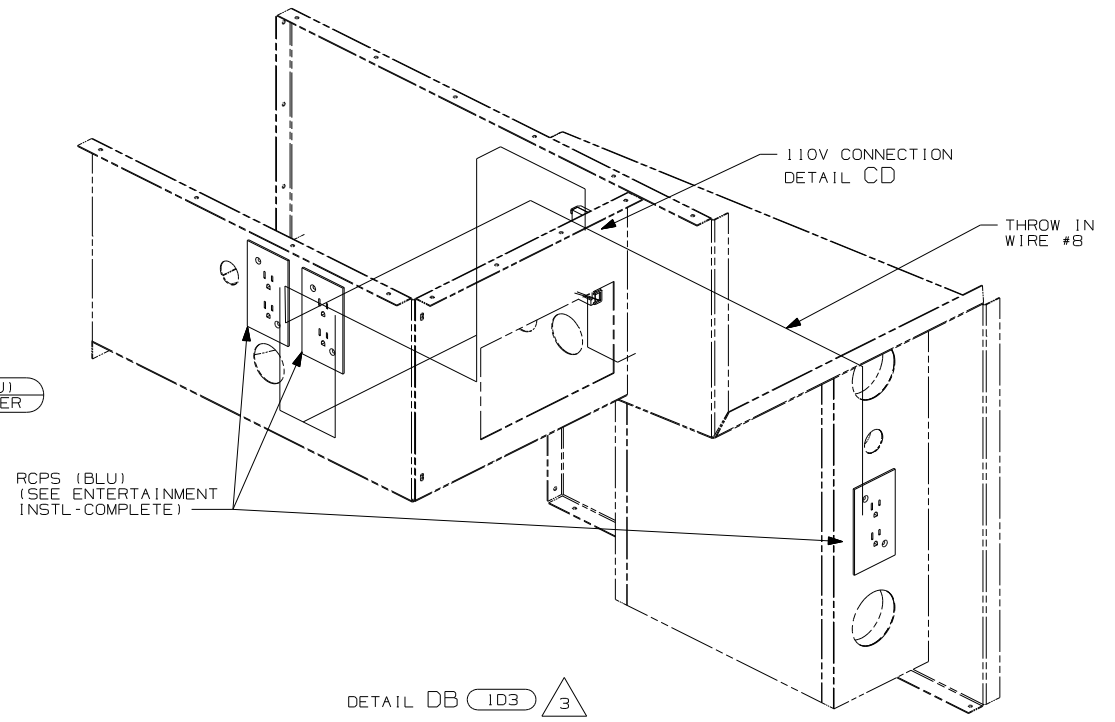
FIRST USED	
07 S40KD	
DO NOT SCALE DRAWING	
TITLE:	
WIRING INSTL-BODY, 110V	
SHEET 3	PART NO 156177



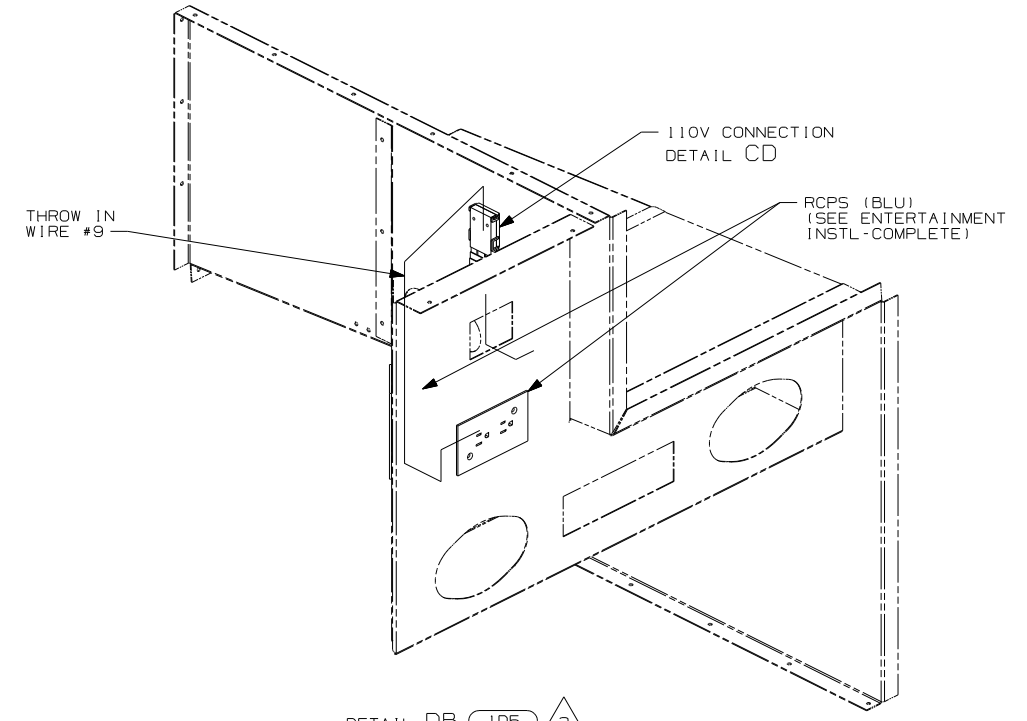
DETAIL DA 43W



DETAIL DA 43V



DETAIL DB 1D3 3



DETAIL DB 1D5 3

- 3 SEE ENT CTR COMPLETE FOR ADDITIONAL INFORMATION.
- 2 ROUTE WIRE IN SIDEWALL DURING INSTALLATION.

1. ALL WIRES TO BE SECURED WITH CLAMP 10495 OR 10497 OR WIRE TIE 8343 OR 108046 EVERY 600MM, USE SCREW G67-XX-XXX OR G56-XX-XXX AS APPROPRIATE FOR INSTALLATION.

NOTES:

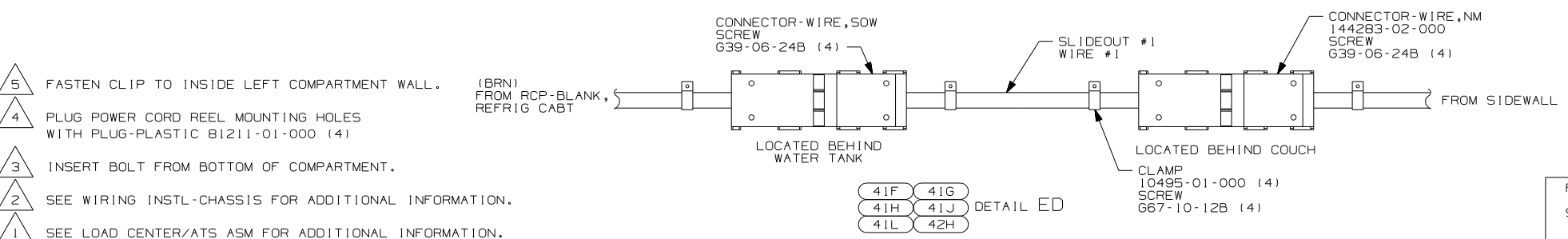
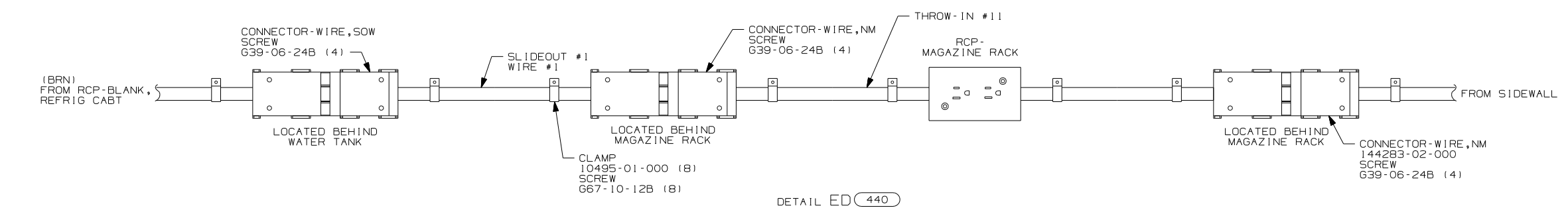
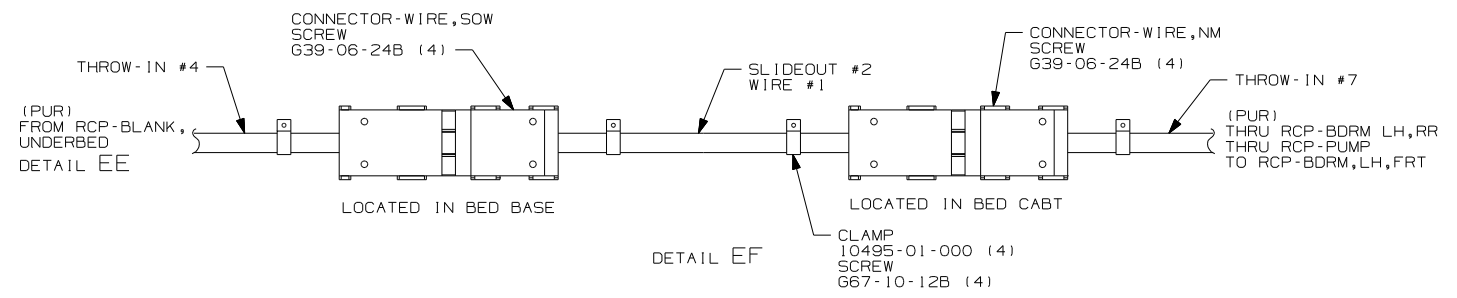
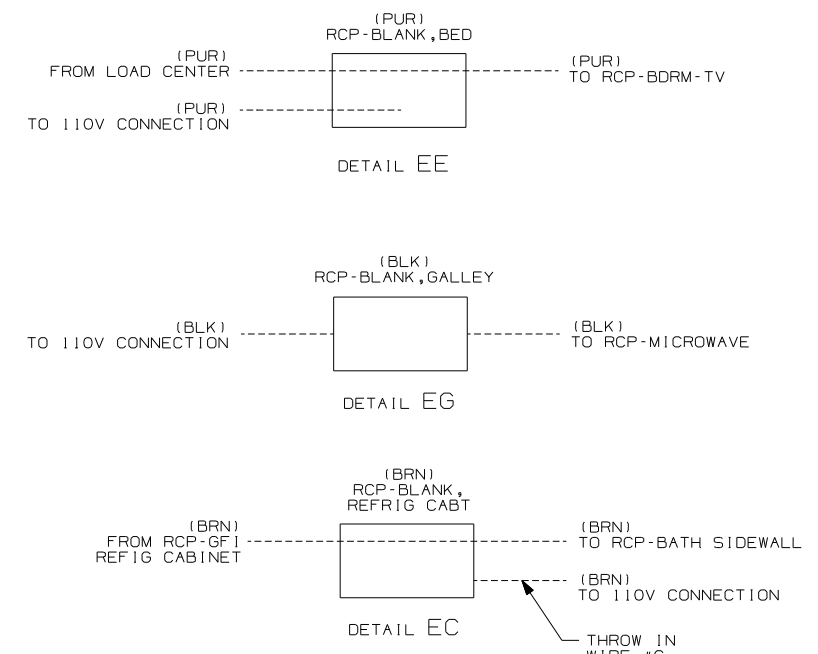
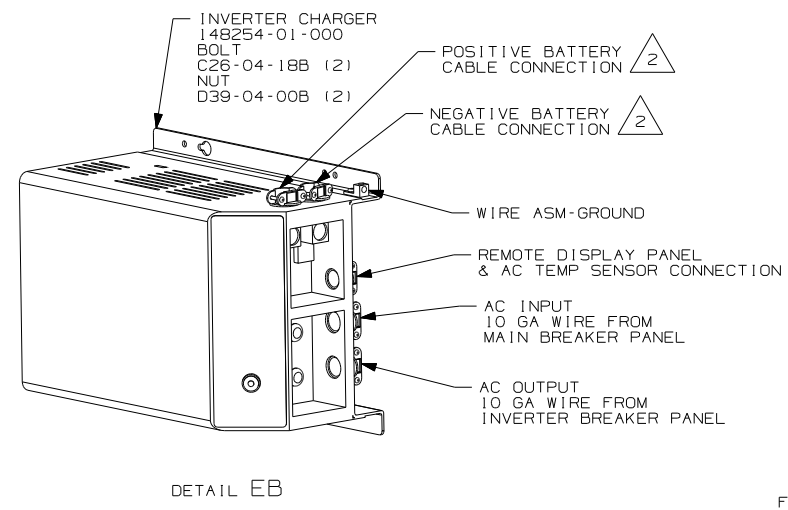
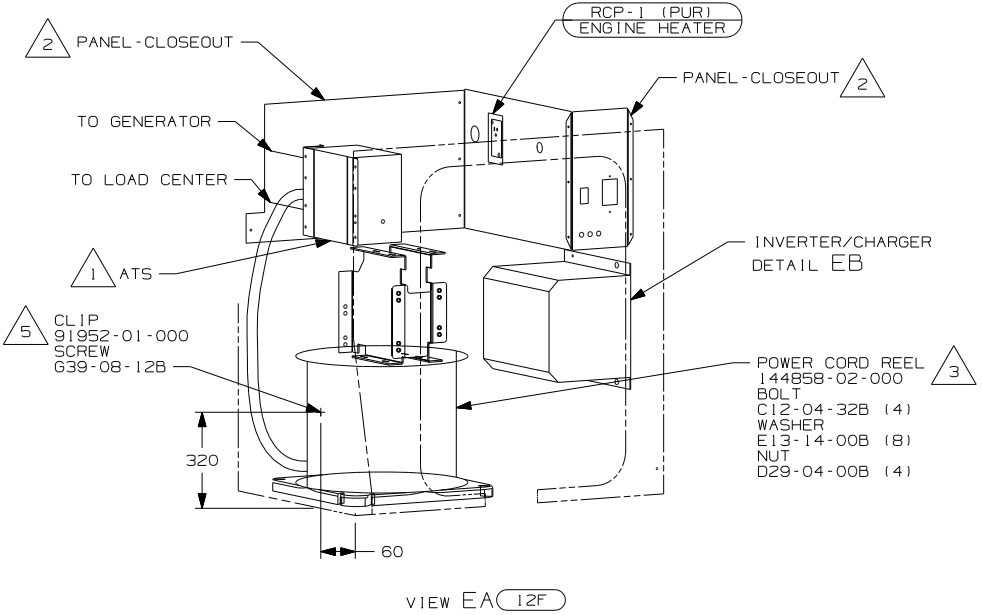
- 43W CABINET-LAVATORY
- 43V CABINET-CHEST OF DRAWERS
- 265 CODES/STANDARDS-CSA/CMVSS
- 1B1 CODES/STANDARDS USA

1B1 265

FOR ELECTRICAL TORQUE SPECIFICATIONS SEE DWG NO. 128783-01-000

X-X FOR ELECTRICAL CALLOUTS SEE DWG NO. 121339-01-000

FIRST USED	07 S40KD
TITLE	DO NOT SCALE DRAWING
TITLE	WIRING INSTL-BODY, 110V
SHEET 4	PART NO 156177 REV



- NOTES:
- 5 FASTEN CLIP TO INSIDE LEFT COMPARTMENT WALL.
 - 4 PLUG POWER CORD REEL MOUNTING HOLES WITH PLUG-PLASTIC 81211-01-000 (4)
 - 3 INSERT BOLT FROM BOTTOM OF COMPARTMENT.
 - 2 SEE WIRING INSTL-CHASSIS FOR ADDITIONAL INFORMATION.
 - 1 SEE LOAD CENTER/ATS ASM FOR ADDITIONAL INFORMATION.

- 440 LOUNGE CHAIR WITH CABINET
- 42H RESTEASY-DUAL CONTROL
- 41L RESTEASY DUAL CTRL ULTRALEA
- 41J RESTEASY DUAL CONTROL LEATHR
- 41H RESTEASY, ULTRALEATHER
- 41G RESTEASY, LEATHER FACED
- 41F REST EASY MULTI POS LOUNGE
- 12F POWER CORD REEL
- 265 CODES/STANDARDS - CSA/CMVSS
- 1B1 CODES/STANDARDS - USA

FOR ELECTRICAL TORQUE SPECIFICATIONS SEE DWG NO. 128783-01-000

FOR ELECTRICAL CALLOUTS SEE DWG NO. 121339-01-000

FIRST USED	07 S40KD
DO NOT SCALE DRAWING	
TITLE:	WIRING INSTL-BODY, 110V
SHEET 5	PART NO 156177 REV