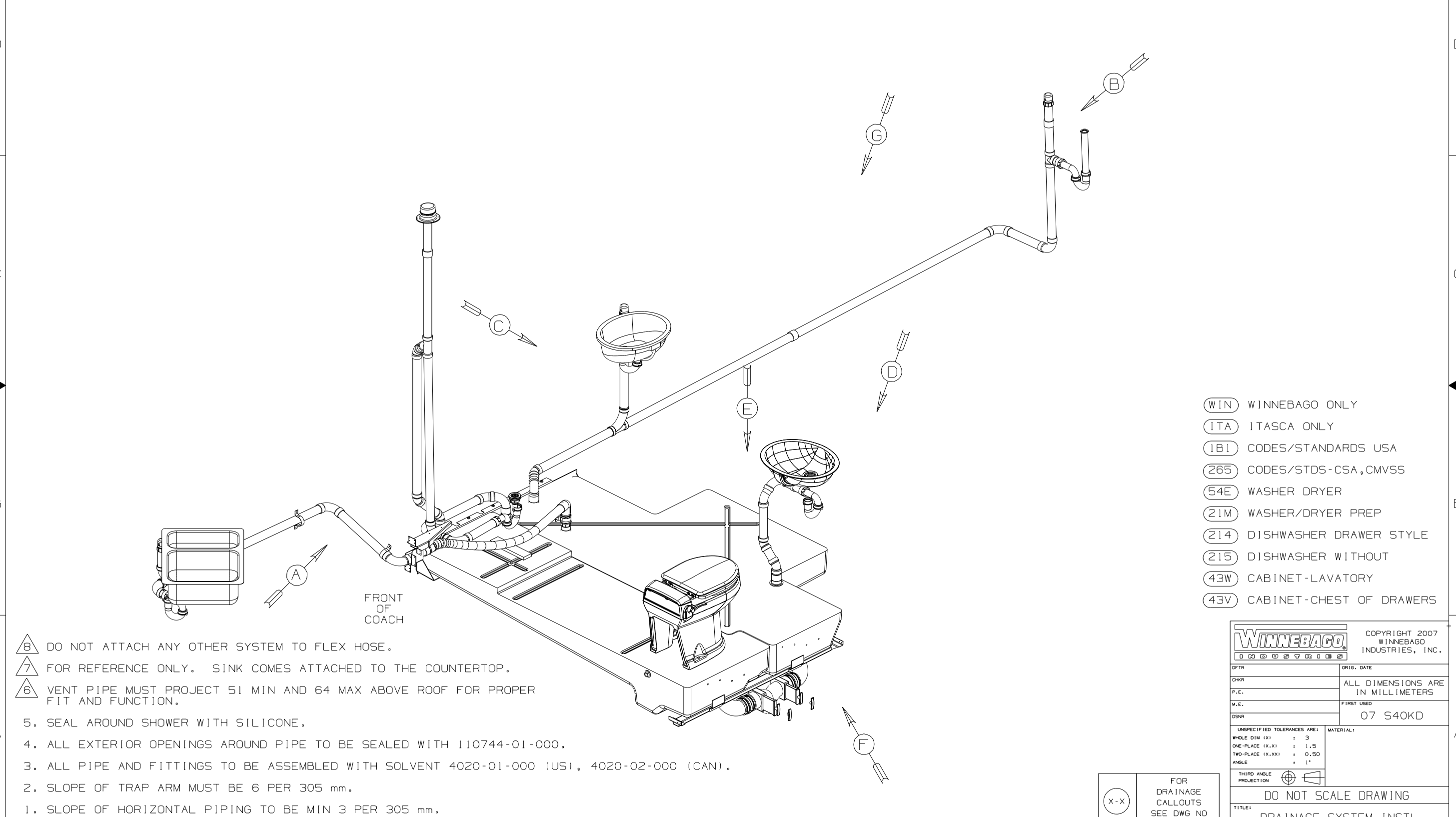


DWG NO	--
155551-01	(WIN)
155551-02	(ITA)

RELEASE	REV DATE	DWG NO
A		155551
REV ZONE	REVISION RECORD	DATE
		DFTR-0R16

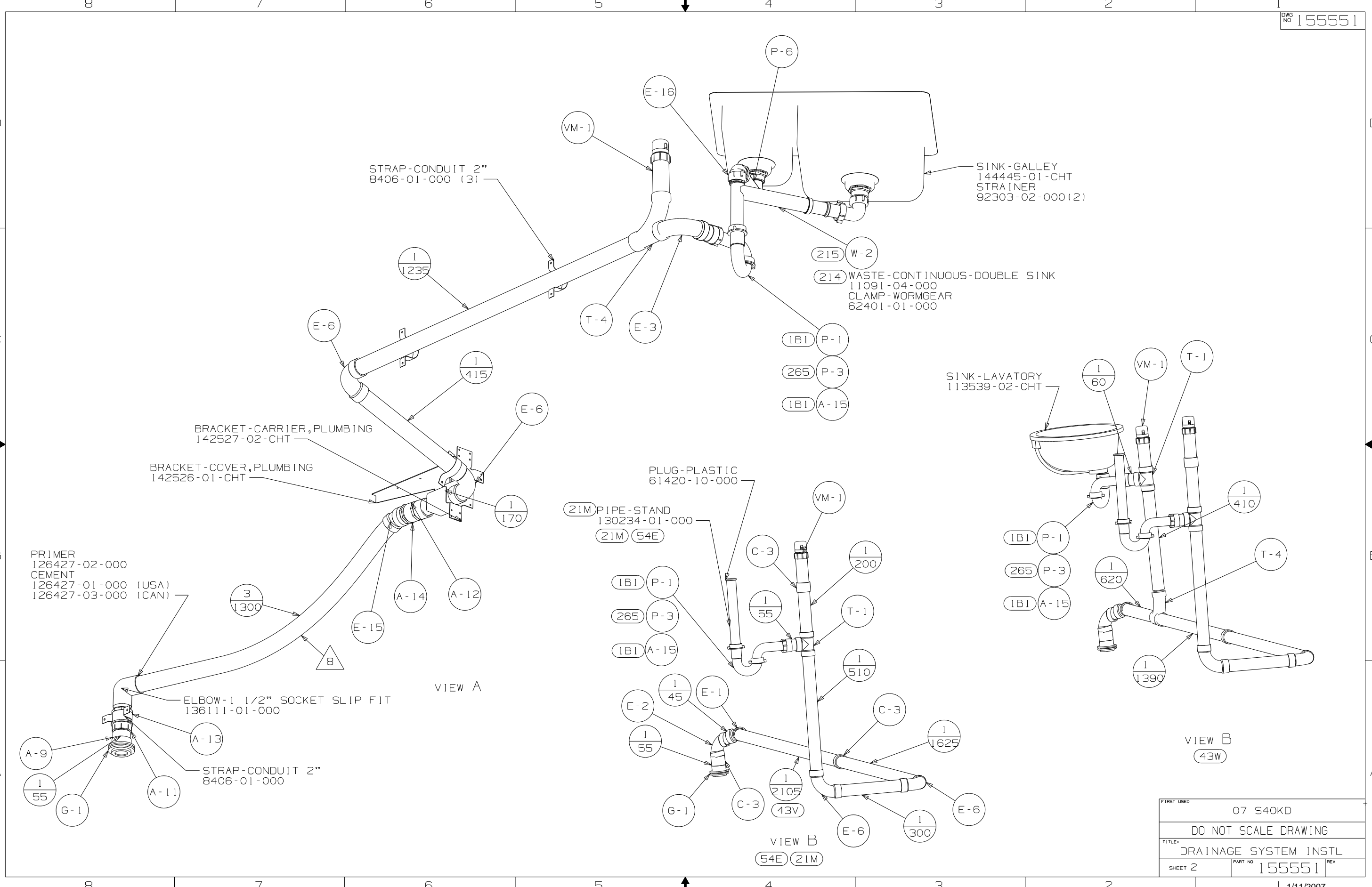


- (WIN) WINNEBAGO ONLY
- (ITA) ITASCA ONLY
- (IBI) CODES/STANDARDS USA
- (265) CODES/STDS-CSA, CMVSS
- (54E) WASHER DRYER
- (21M) WASHER/DRYER PREP
- (214) DISHWASHER DRAWER STYLE
- (215) DISHWASHER WITHOUT
- (43W) CABINET-LAVATORY
- (43V) CABINET-CHEST OF DRAWERS

- NOTES:
8. DO NOT ATTACH ANY OTHER SYSTEM TO FLEX HOSE.
 7. FOR REFERENCE ONLY. SINK COMES ATTACHED TO THE COUNTERTOP.
 6. VENT PIPE MUST PROJECT 51 MIN AND 64 MAX ABOVE ROOF FOR PROPER FIT AND FUNCTION.
 5. SEAL AROUND SHOWER WITH SILICONE.
 4. ALL EXTERIOR OPENINGS AROUND PIPE TO BE SEALED WITH 110744-01-000.
 3. ALL PIPE AND FITTINGS TO BE ASSEMBLED WITH SOLVENT 4020-01-000 (US), 4020-02-000 (CAN).
 2. SLOPE OF TRAP ARM MUST BE 6 PER 305 mm.
 1. SLOPE OF HORIZONTAL PIPING TO BE MIN 3 PER 305 mm.

(X-X)
FOR DRAINAGE CALLOUTS SEE DWG NO 116229-01-000

WINNEBAGO		COPYRIGHT 2007 WINNEBAGO INDUSTRIES, INC.	
DFTR	ORIG. DATE	ALL DIMENSIONS ARE IN MILLIMETERS	
CHKR		FIRST USED	
P.E.		07 S40KD	
M.E.		UNSPECIFIED TOLERANCES ARE:	
DSNR		MATERIAL:	
		WHOLE DIM (X)	: 3
		ONE-PLACE (X.X)	: 1.5
		TWO-PLACE (X.XX)	: 0.50
		ANGLE	: 1°
THIRD ANGLE PROJECTION		DO NOT SCALE DRAWING	
TITLE: DRAINAGE SYSTEM INSTL			
SHEET 1 OF 4	PART NO	155551	REV
REF:	1 1/11/2007		



STRAP-CONDUIT 2"
8406-01-000 (3)

SINK-GALLEY
144445-01-CHT
STRAINER
92303-02-000 (2)

(215) W-2
(214) WASTE-CONTINUOUS-DOUBLE SINK
11091-04-000
CLAMP-WORMGEAR
62401-01-000

SINK-LAVATORY
113539-02-CHT

BRACKET-CARRIER, PLUMBING
142527-02-CHT
BRACKET-COVER, PLUMBING
142526-01-CHT

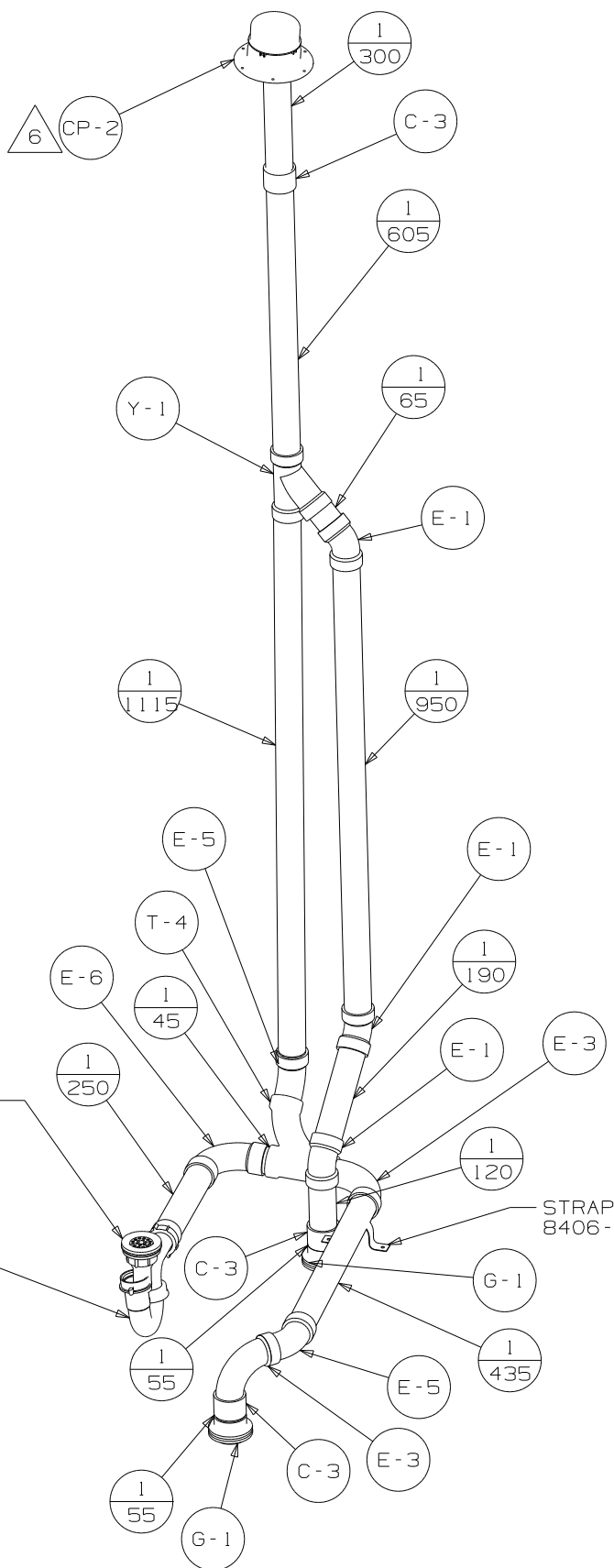
PRIMER
126427-02-000
CEMENT
126427-01-000 (USA)
126427-03-000 (CAN)

PLUG-PLASTIC
61420-10-000
(21M) PIPE-STAND
130234-01-000
(21M) (54E)

ELBOW-1 1/2" SOCKET SLIP FIT
136111-01-000

STRAP-CONDUIT 2"
8406-01-000

FIRST USED	07 S40KD
DO NOT SCALE DRAWING	
TITLE	DRAINAGE SYSTEM INSTL
SHEET 2	PART NO 155551 REV
1 1/11/2007	

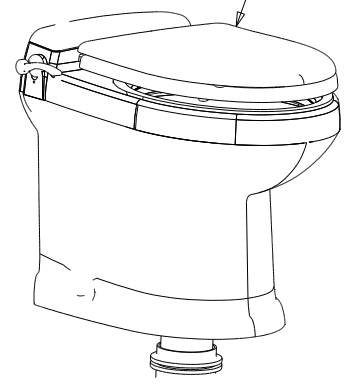


SHOWER COMPL
142530-04-XXX
STRAINER
66440-01-000
NUT
130403-01-000
TAILPIECE
11069-06-000
WASHER
127440-02-CHT

STRAP-CONDUIT, 2"
8406-01-000

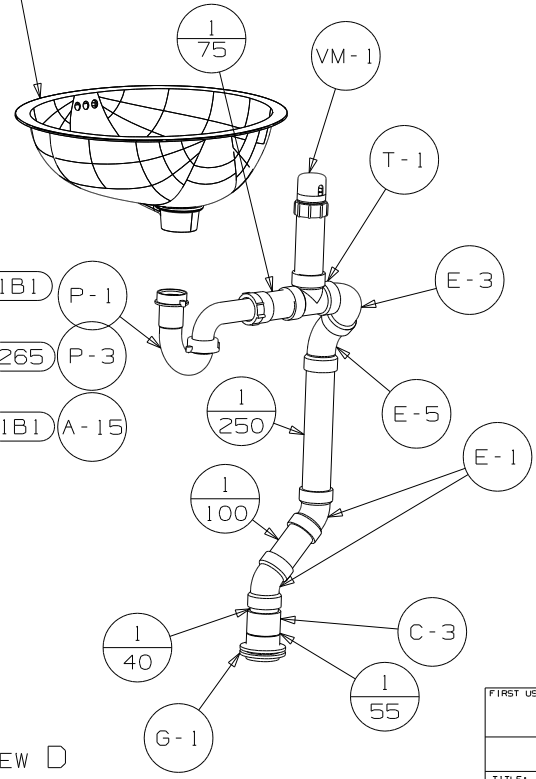
VIEW C

TOILET
152831-01-CHT
SCREW
87721-01-000 (8)



DETAIL H
ITA

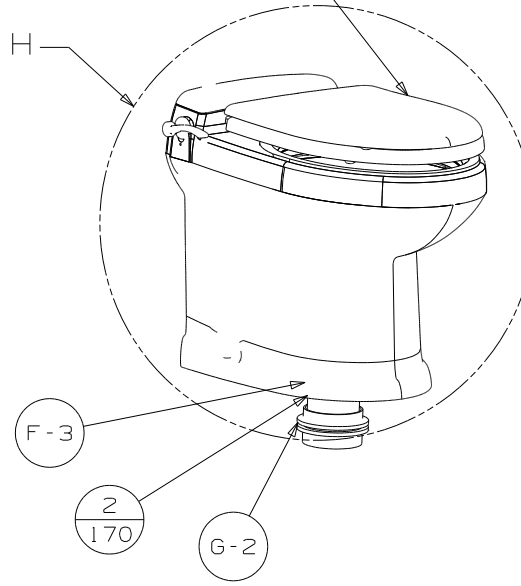
SINK-LAVATORY
155318-01-CHT
SCREW
G67-08-10U (20)
ANGLE
153338-02-CHT (10)



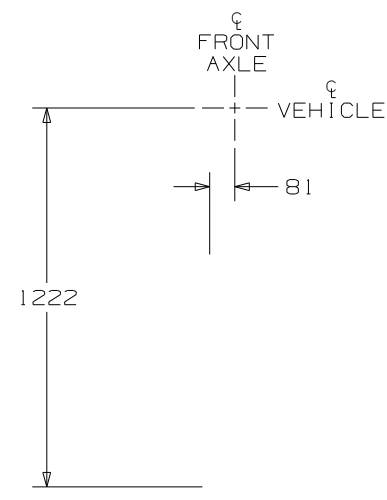
VIEW D

(WIN) TOILET
152830-01-CHT
SCREW
87721-01-000 (8)

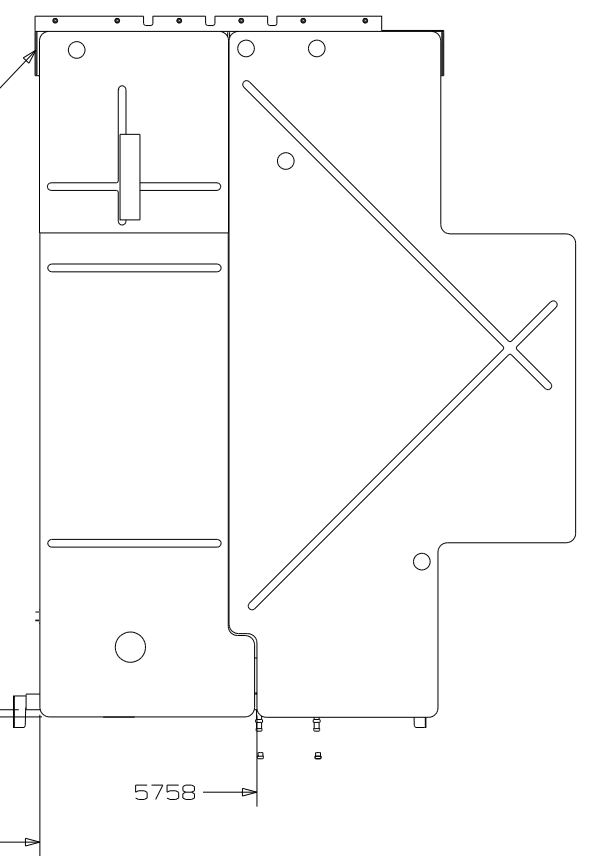
DETAIL H



FIRST USED	07 S40KD		
TITLE	DO NOT SCALE DRAWING		
	DRAINAGE SYSTEM INSTL		
SHEET 3	PART NO	155551	REV

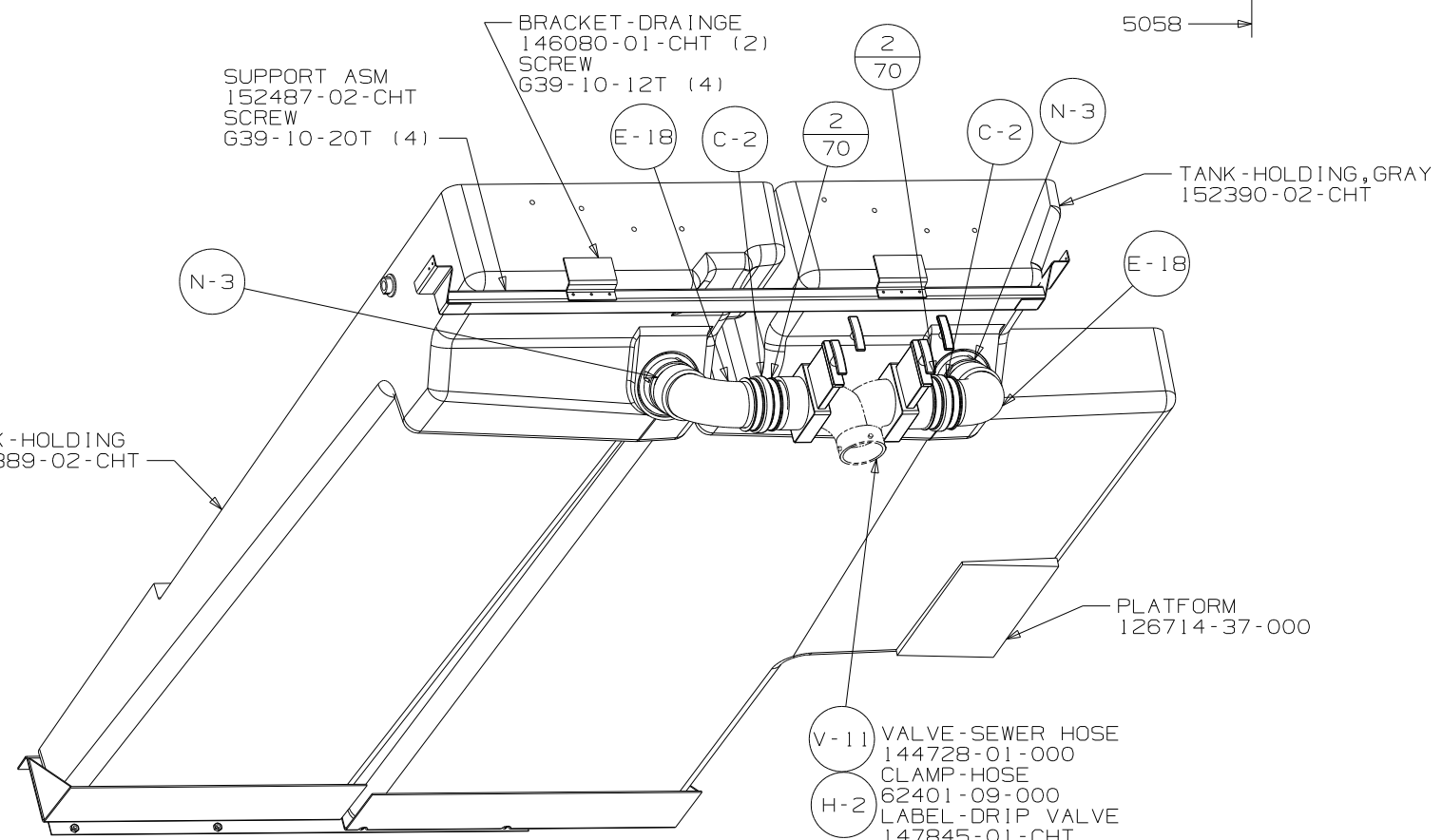


BRACKET
152443-01-CHT
BOLT
C26-05-12B (6)



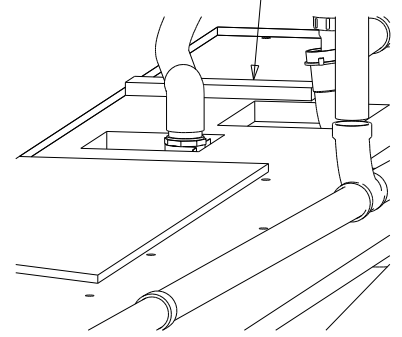
VIEW E

BRACKET-DRAINAGE
146080-01-CHT (2)
SCREW
G39-10-12T (4)
SUPPORT ASM
152487-02-CHT
SCREW
G39-10-20T (4)
TANK - HOLDING, GRAY
152390-02-CHT



VIEW F

LUMBER
52372-F0-276

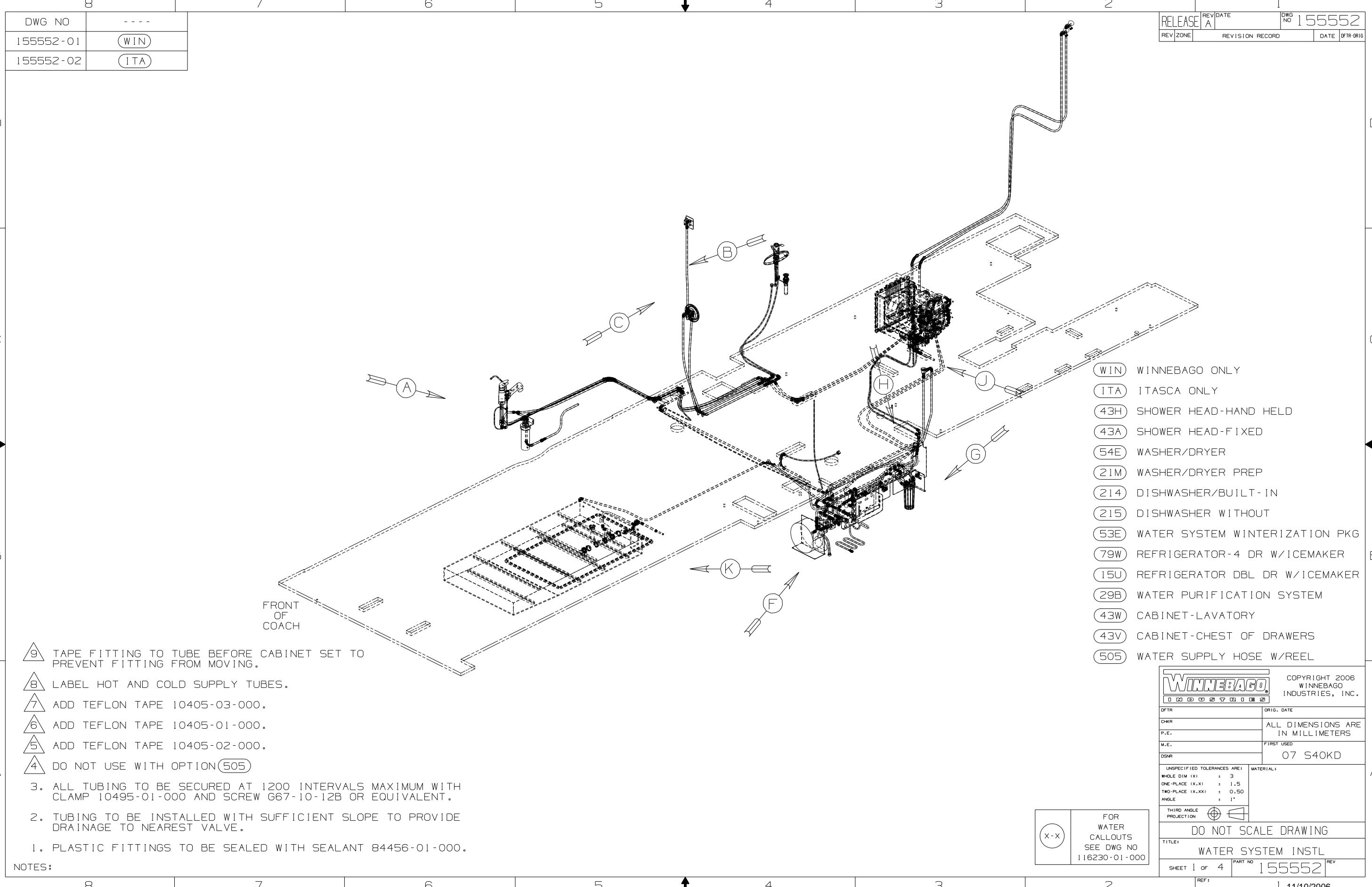


VIEW G

FIRST USED	07 S40KD	
TITLE	DRAINAGE SYSTEM INSTL	
SHEET 4	PART NO 155551	REV

DWG NO	-----
155552-01	(WIN)
155552-02	(ITA)

RELEASE	REV DATE	DWG NO
A		155552
REV ZONE	REVISION RECORD	DATE DFR-ORIG



- (WIN) WINNEBAGO ONLY
- (ITA) ITASCA ONLY
- (43H) SHOWER HEAD-HAND HELD
- (43A) SHOWER HEAD-FIXED
- (54E) WASHER/DRYER
- (21M) WASHER/DRYER PREP
- (214) DISHWASHER/BUILT-IN
- (215) DISHWASHER WITHOUT
- (53E) WATER SYSTEM WINTERIZATION PKG
- (79W) REFRIGERATOR-4 DR W/ICEMAKER
- (15U) REFRIGERATOR DBL DR W/ICEMAKER
- (29B) WATER PURIFICATION SYSTEM
- (43W) CABINET-LAVATORY
- (43V) CABINET-CHEST OF DRAWERS
- (505) WATER SUPPLY HOSE W/REEL

- 9 TAPE FITTING TO TUBE BEFORE CABINET SET TO PREVENT FITTING FROM MOVING.
- 8 LABEL HOT AND COLD SUPPLY TUBES.
- 7 ADD TEFLON TAPE 10405-03-000.
- 6 ADD TEFLON TAPE 10405-01-000.
- 5 ADD TEFLON TAPE 10405-02-000.
- 4 DO NOT USE WITH OPTION (505)

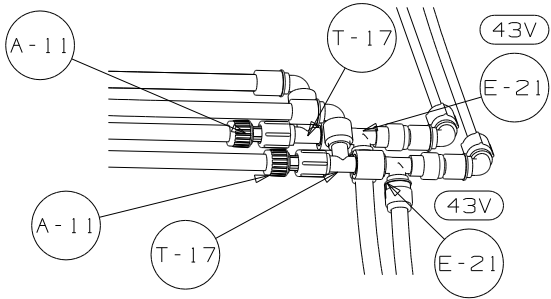
3. ALL TUBING TO BE SECURED AT 1200 INTERVALS MAXIMUM WITH CLAMP 10495-01-000 AND SCREW G67-10-12B OR EQUIVALENT.
2. TUBING TO BE INSTALLED WITH SUFFICIENT SLOPE TO PROVIDE DRAINAGE TO NEAREST VALVE.
1. PLASTIC FITTINGS TO BE SEALED WITH SEALANT 84456-01-000.

NOTES:

(X-X)
FOR WATER CALLOUTS SEE DWG NO 116230-01-000

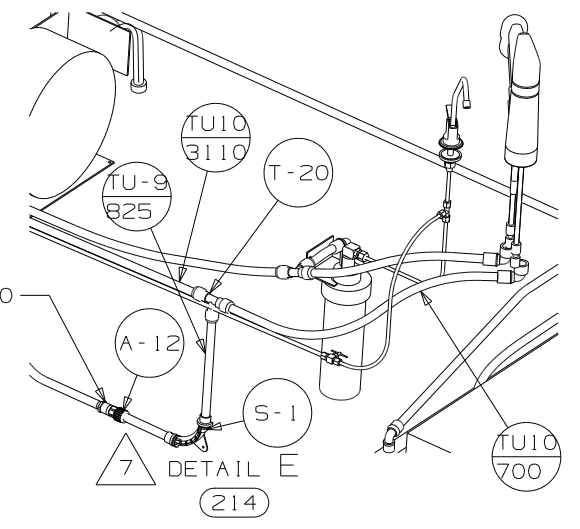
WINNEBAGO		COPYRIGHT 2006 WINNEBAGO INDUSTRIES, INC.	
DFTR	ORIG. DATE	ALL DIMENSIONS ARE IN MILLIMETERS	
CHKR		FIRST USED	
P.E.		07 S40KD	
M.E.		UNSPECIFIED TOLERANCES ARE:	
DSNR		MATERIAL:	
		WHOLE DIM (X)	: 3
		ONE-PLACE (X.X)	: 1.5
		TWO-PLACE (X.XX)	: 0.50
		ANGLE	: 1°
THIRD ANGLE PROJECTION		DO NOT SCALE DRAWING	
TITLE: WATER SYSTEM INSTL			
SHEET 1 OF 4	PART NO	155552	REV
REF:	1 11/10/2006		

(21M) FAUCET
(54E) 98419-01-000 (2)



VIEW D

FAUCET-LAV
155715-01-CHT (WIN)
FAUCET-VALVE
149174-01-CHT (ITA) (WIN)
FAUCET-TRIM KIT
153456-01-CHT (ITA)
SPACER
105218-01-CHT



DETAIL E

(43W) FAUCET-LAV, SGL CTRL
155716-01-CHT

ADAPTOR
146297-01-000

BRACKET-SHOWER HEAD
143101-01-CHT
PLATE-COVER
143218-01-CHT
SCREW
639-08-089 (2)

BREAKER-VACUUM
125697-04-000
CHECK-VALVE
125697-03-000
(MUST BE MOUNTED ABOVE
TOILET FLOOD LEVEL)

TO REFRIGERATOR

TO TOILET

FAUCET
157212-01-CHT (29B)

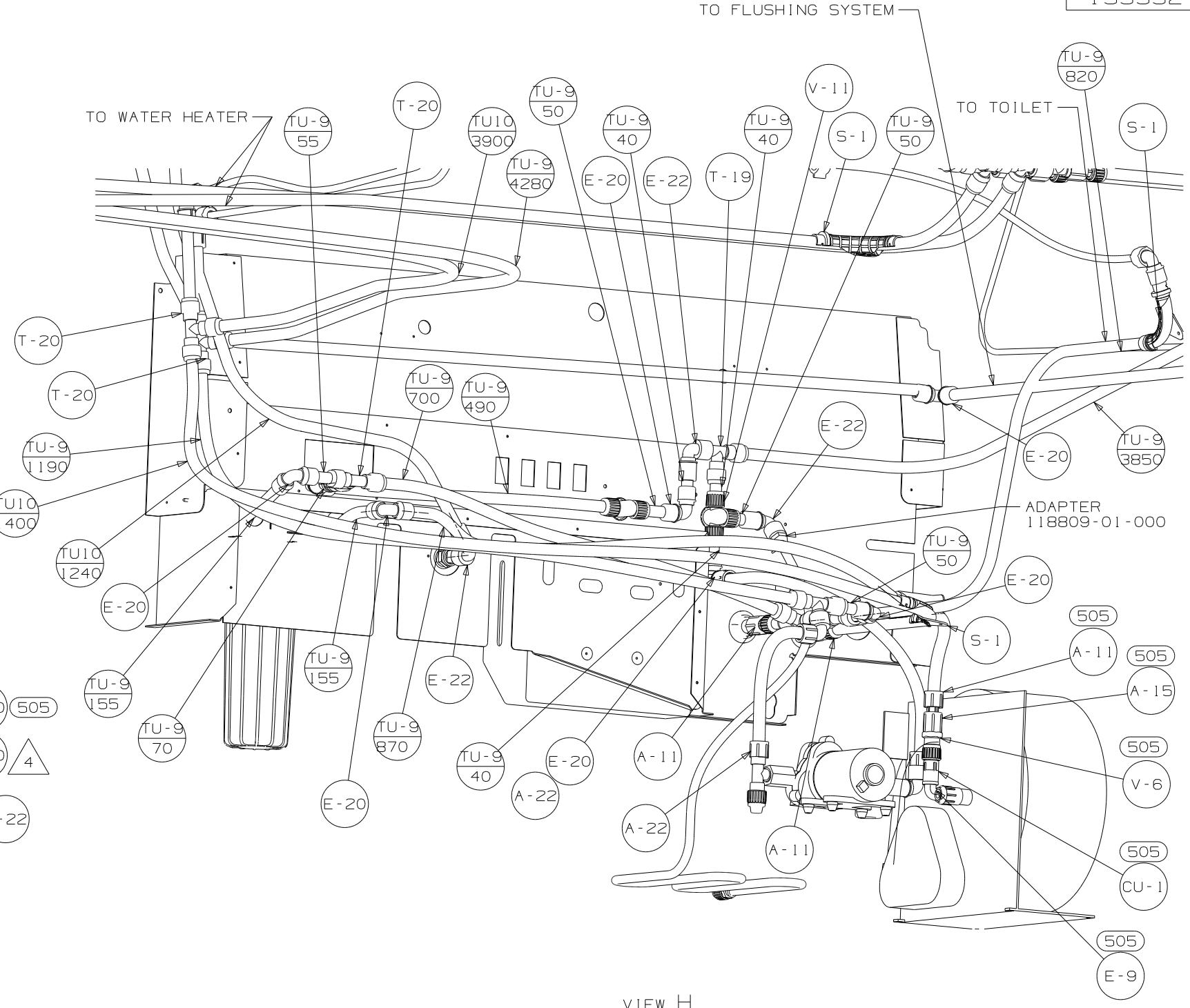
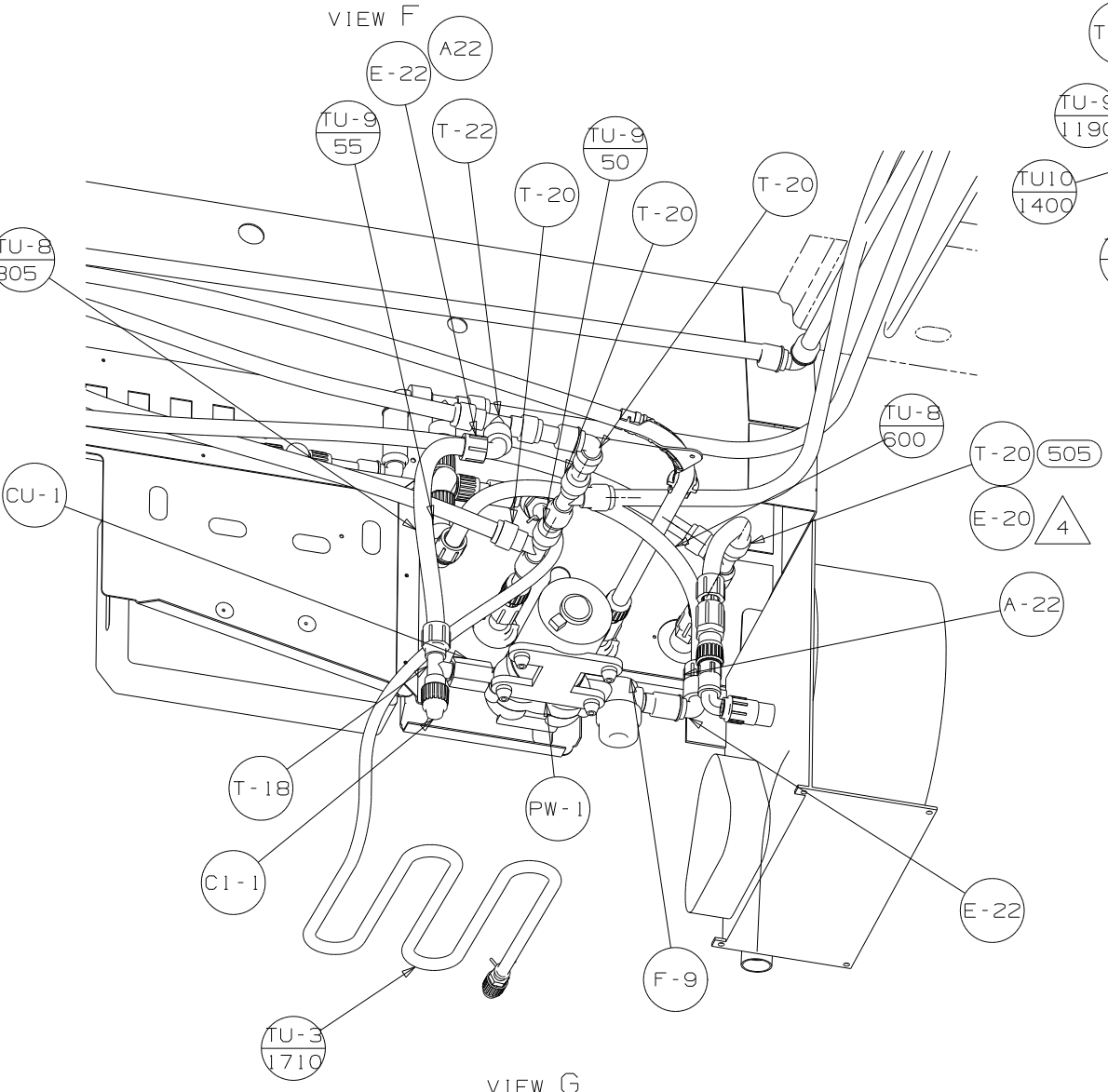
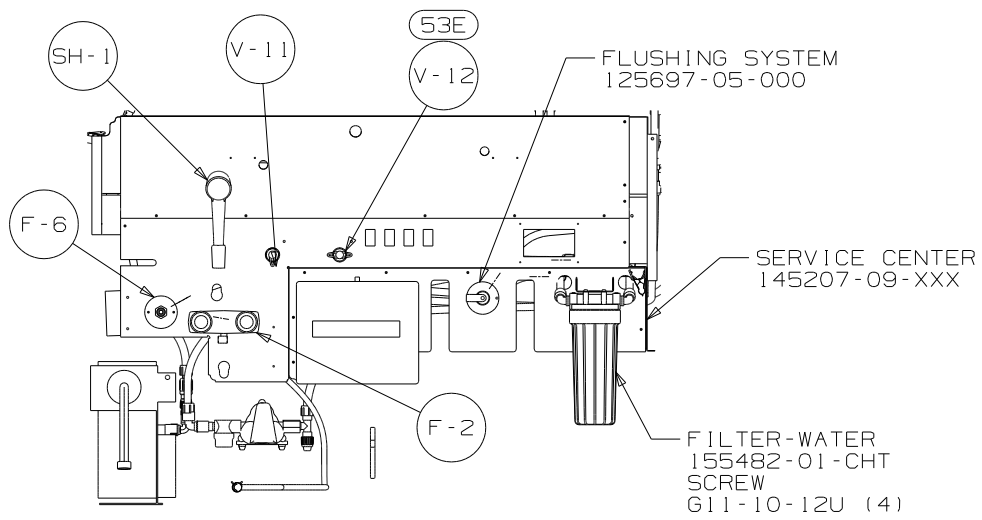
FAUCET-GALLEY
141682-01-CHT (WIN)
144444-01-CHT (ITA)

DROP ELL
135028-01-CHT
SPACER
130041-01-CHT
VALVE-SHOWER HEAD
128974-01-CHT

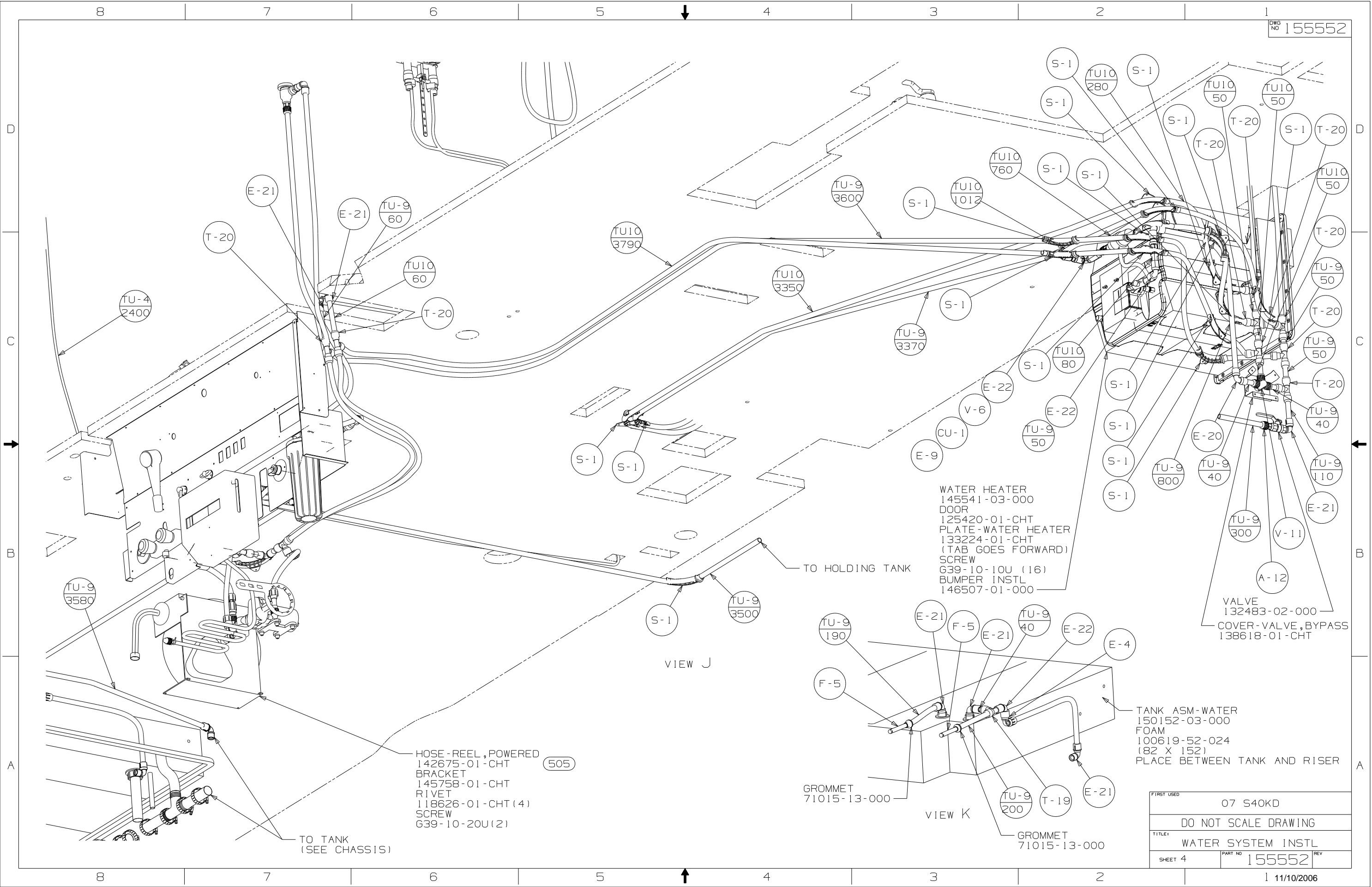
SHOWER HEAD
156138-01-CHT

FILTER
87200-01-000
CARTRIDGE
87200-02-000
SCREW
G67-10-12U (2)

FIRST USED	07 S40KD	
TITLE	DO NOT SCALE DRAWING	
TITLE	WATER SYSTEM INSTL	
SHEET 2	PART NO	155552
	REV	



FIRST USED	07 S40KD	
TITLE	DO NOT SCALE DRAWING	
SHEET 3	PART NO	155552
	REV	11/10/2006



WATER HEATER
145541-03-000
DOOR
125420-01-CHT
PLATE-WATER HEATER
133224-01-CHT
(TAB GOES FORWARD)
SCREW
G39-10-10U (16)
BUMPER INSTL
146507-01-000

VALVE
132483-02-000
COVER-VALVE, BYPASS
138618-01-CHT

TANK ASM-WATER
150152-03-000
FOAM
100619-52-024
(82 X 152)
PLACE BETWEEN TANK AND RISER

HOSE - REEL, POWERED
142675-01-CHT
BRACKET
145758-01-CHT
RIVET
118626-01-CHT (4)
SCREW
G39-10-20U (2)

TO TANK
(SEE CHASSIS)

TO HOLDING TANK

VIEW J

VIEW K

FIRST USED	07 S40KD	
TITLE	DO NOT SCALE DRAWING	
TITLE	WATER SYSTEM INSTL	
SHEET 4	PART NO	155552
REV		