



DANGER

Danger of electrical shock, burns or death. Always remove all power sources before attempting any repair, service or diagnostic work. Power can be present from shore power, generator, inverter or battery. All power sources must be disabled and secured before performing any service.

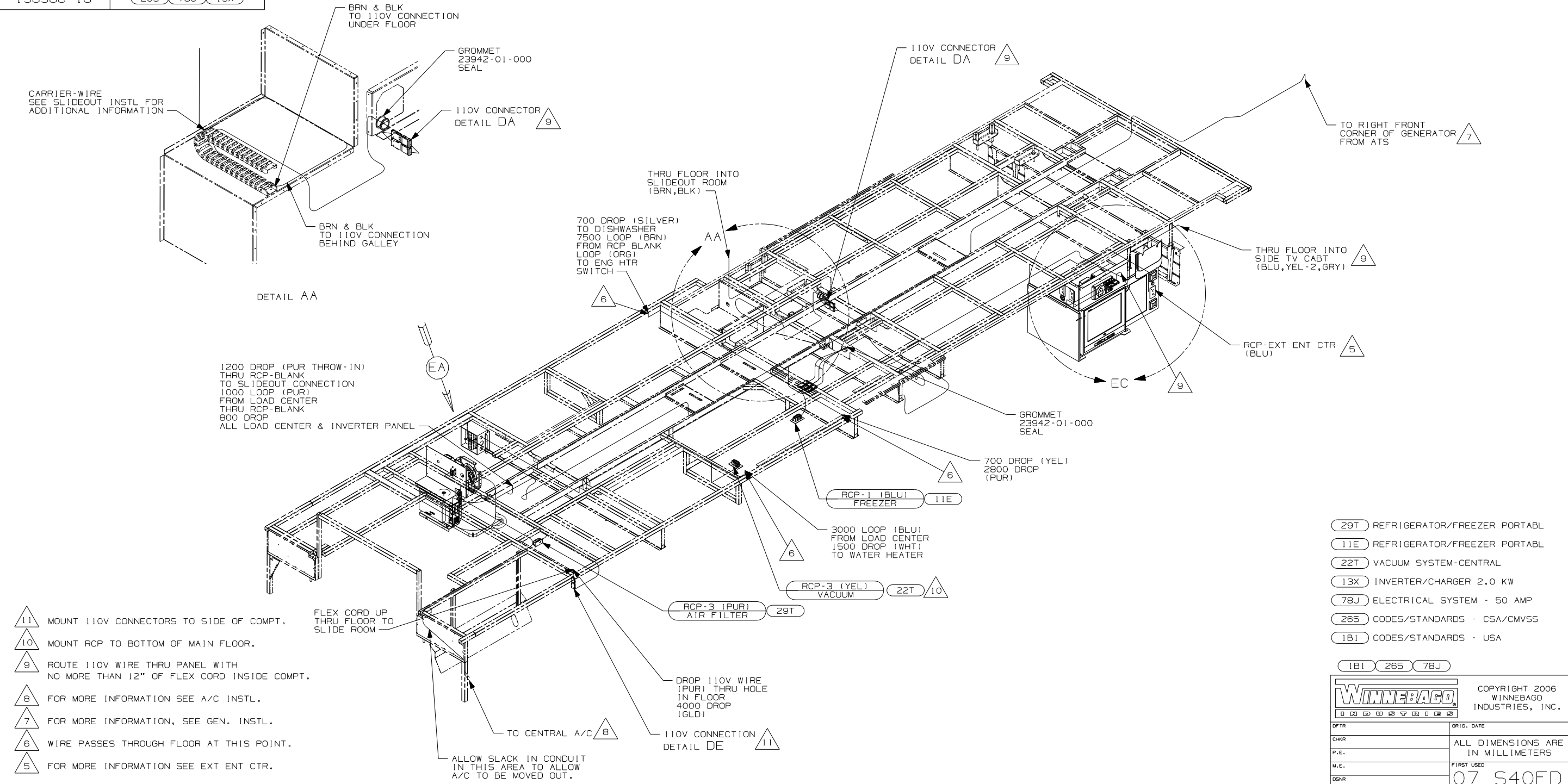


CAUTION

If you lack the skills, tools or equipment to perform diagnostic or repair work leave such work to an authorized Winnebago Industries dealer or other qualified shop.

DRAWING NO.	FEATURE
158388-01	-----
158388-14	(1B1) (78J) (13X)
158388-18	(265) (78J) (13X)

RELEASE	REV DATE	DWG NO
A		158388
REV ZONE	REVISION RECORD	DATE DFR-016



- ▲ 11 MOUNT 110V CONNECTORS TO SIDE OF COMPT.
- ▲ 10 MOUNT RCP TO BOTTOM OF MAIN FLOOR.
- ▲ 9 ROUTE 110V WIRE THRU PANEL WITH NO MORE THAN 12" OF FLEX CORD INSIDE COMPT.
- ▲ 8 FOR MORE INFORMATION SEE A/C INSTL.
- ▲ 7 FOR MORE INFORMATION, SEE GEN. INSTL.
- ▲ 6 WIRE PASSES THROUGH FLOOR AT THIS POINT.
- ▲ 5 FOR MORE INFORMATION SEE EXT ENT CTR.

- 4. FOR MORE INFORMATION SEE WIRING DIAGRAM-BODY, 110V.
- 3. ALL GROUND WIRE TO BE COVERED WITH TUBING 8041-02-000.
- 2. ALL 110V WIRE TO BE CLAMPED WITH CLAMP 10497-05-000 WITHIN 200MM OF OUTLET BOXES, USE SCREW G67-10-12B.
- 1. ALL WIRES TO BE SECURED WITH CLAMP 10495 OR 10497 OR WIRE TIE 8343 OR 108046 EVERY 600MM, USE SCREW G67-XX-XXX OR G56-XX-XXX AS APPROPRIATE FOR INSTALLATION.

- (29T) REFRIGERATOR/FREEZER PORTABL
- (11E) REFRIGERATOR/FREEZER PORTABL
- (22T) VACUUM SYSTEM-CENTRAL
- (13X) INVERTER/CHARGER 2.0 KW
- (78J) ELECTRICAL SYSTEM - 50 AMP
- (265) CODES/STANDARDS - CSA/CMVSS
- (1B1) CODES/STANDARDS - USA

(1B1) (265) (78J)

WINNEBAGO COPYRIGHT 2006 WINNEBAGO INDUSTRIES, INC.

DFTR	ORIG. DATE
CHKR	ALL DIMENSIONS ARE IN MILLIMETERS
P.E.	
M.E.	FIRST USED
DSNR	07 S40FD

UNSPECIFIED TOLERANCES ARE: MATERIAL:

WHOLE DIM (X)	: 3
ONE-PLACE (X.X)	: 1.5
TWO-PLACE (X.XX)	: 0.50
ANGLE	: 1°

THIRD ANGLE PROJECTION

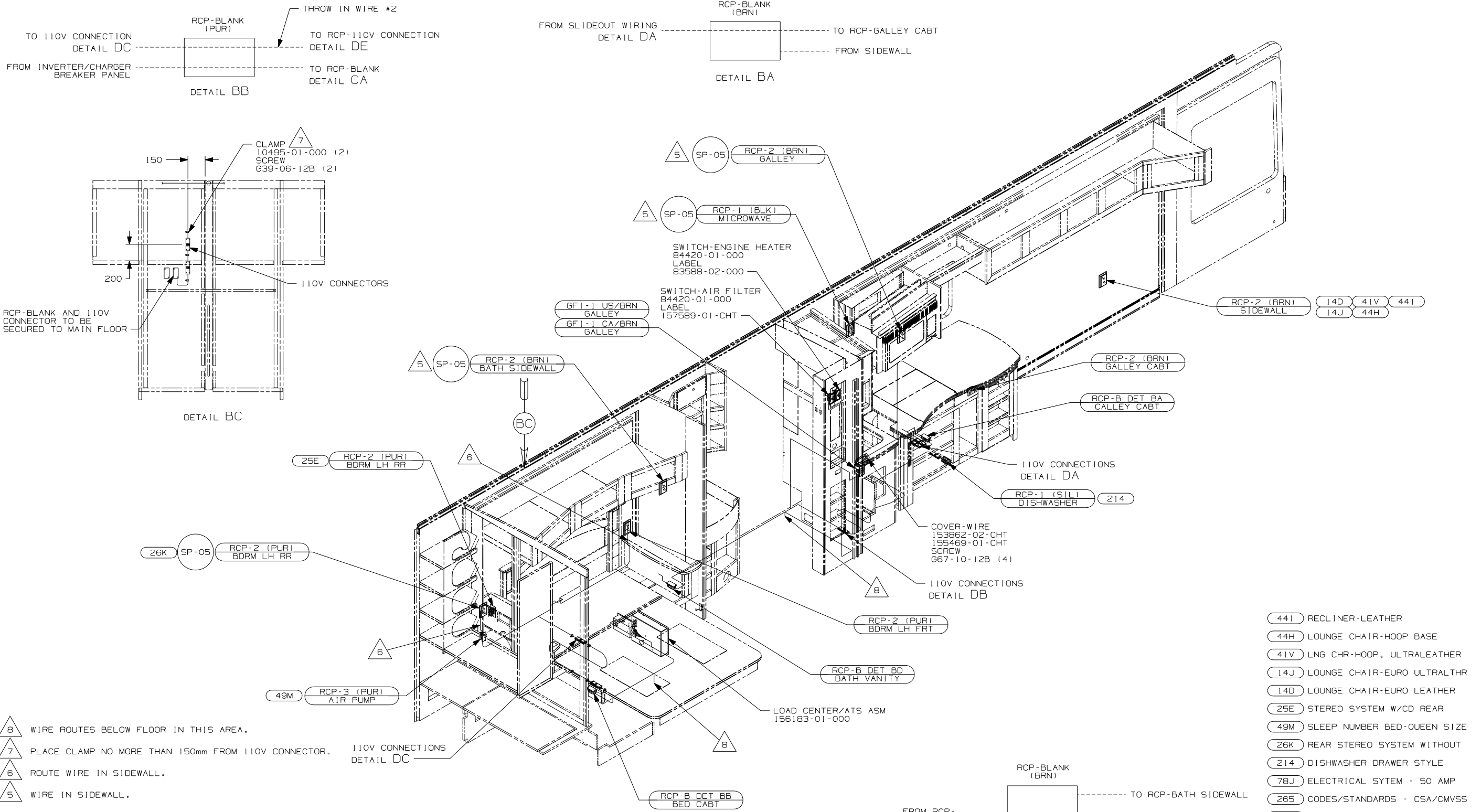
FOR ELECTRICAL TORQUE SPECIFICATIONS SEE DWG NO. 128783-01-000

(X-X) FOR ELECTRICAL CALLOUTS SEE DWG NO. 121339-01-000

DO NOT SCALE DRAWING

TITLE: WIRE INSTL-BODY, 110V

SHEET 1 OF 5 PART NO 158388 REV



- 8 WIRE ROUTES BELOW FLOOR IN THIS AREA.
- 7 PLACE CLAMP NO MORE THAN 150mm FROM 110V CONNECTOR.
- 6 ROUTE WIRE IN SIDEWALL.
- 5 WIRE IN SIDEWALL.

4. FOR MORE INFORMATION SEE WIRING DIAGRAM-BODY,110V.
3. ALL GROUND WIRES TO BE COVERED WITH TUBING 8041-02-000.
2. ALL 110V WIRE TO BE CLAMPED WITH CLAMP 10497-05-000 WITHIN 200MM OF OUTLET BOXES, USE SCREW G67-10-12B.
1. ALL WIRES TO BE SECURED WITH CLAMP 10495 OR 10497 OR WIRE TIE 8343 OR 108046 EVERY 600MM, USE SCREW G67-XX-XXX OR G56-XX-XXX AS APPROPRIATE FOR INSTALLATION.

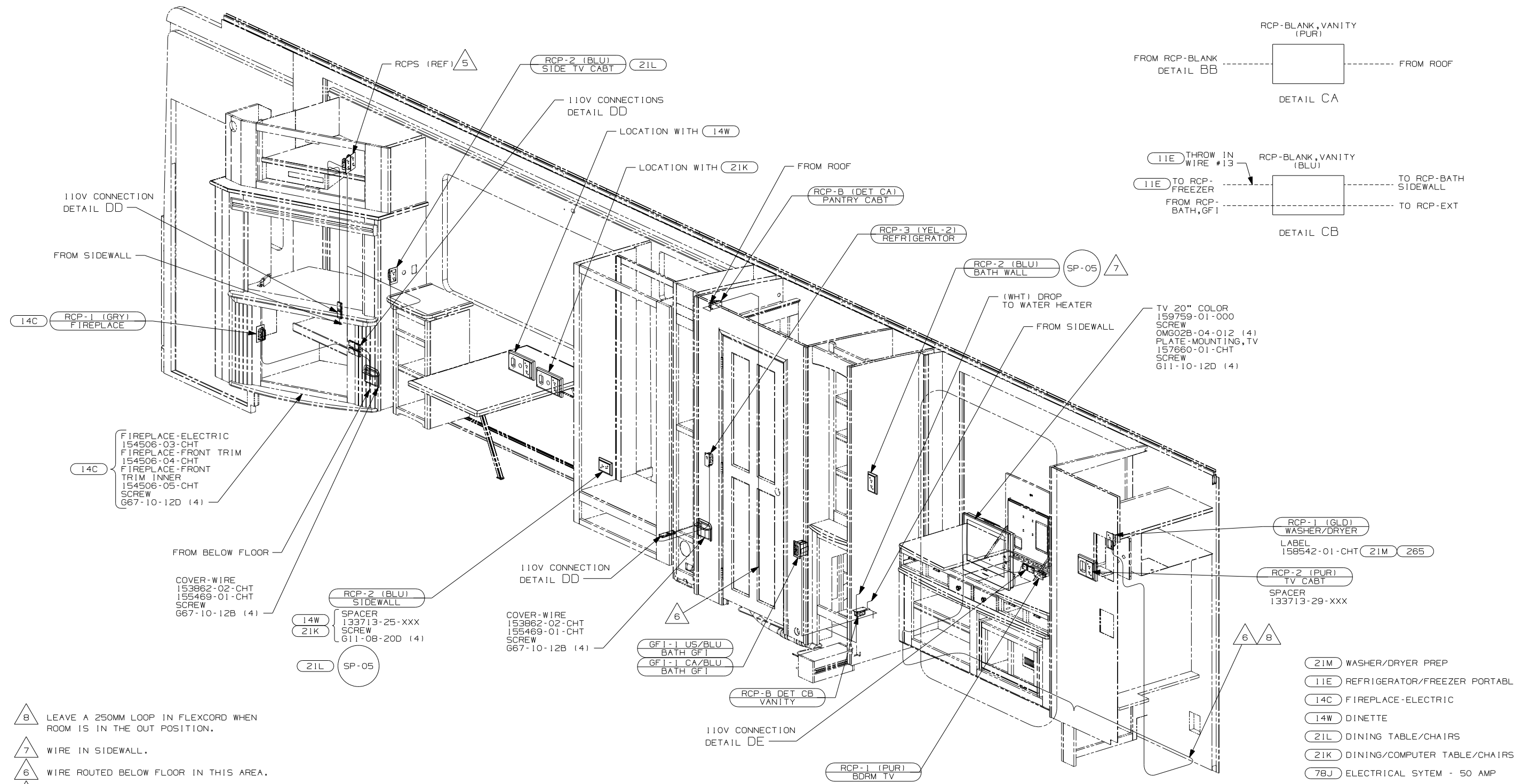
NOTES:

- 441 RECLINER-LEATHER
- 44H LOUNGE CHAIR-HOOP BASE
- 41V LNG CHR-HOOP, ULTRALEATHER
- 14J LOUNGE CHAIR-EURO ULTRALTHR
- 14D LOUNGE CHAIR-EURO LEATHER
- 25E STEREO SYSTEM W/CD REAR
- 49M SLEEP NUMBER BED-QUEEN SIZE
- 26K REAR STEREO SYSTEM WITHOUT
- 214 DISHWASHER DRAWER STYLE
- 78J ELECTRICAL SYTEM - 50 AMP
- 265 CODES/STANDARDS - CSA/CMVSS
- 1B1 CODES/STANDARDS - USA

FIRST USED	07 S40FD	
TITLE:	DO NOT SCALE DRAWING	
	WIRE INSTL-BODY, 110V	
SHEET 2	PART NO	158388
	REV	

FOR ELECTRICAL TORQUE SPECIFICATIONS SEE DWG NO. 128783-01-000

FOR ELECTRICAL CALLOUTS SEE DWG NO. 121339-01-000



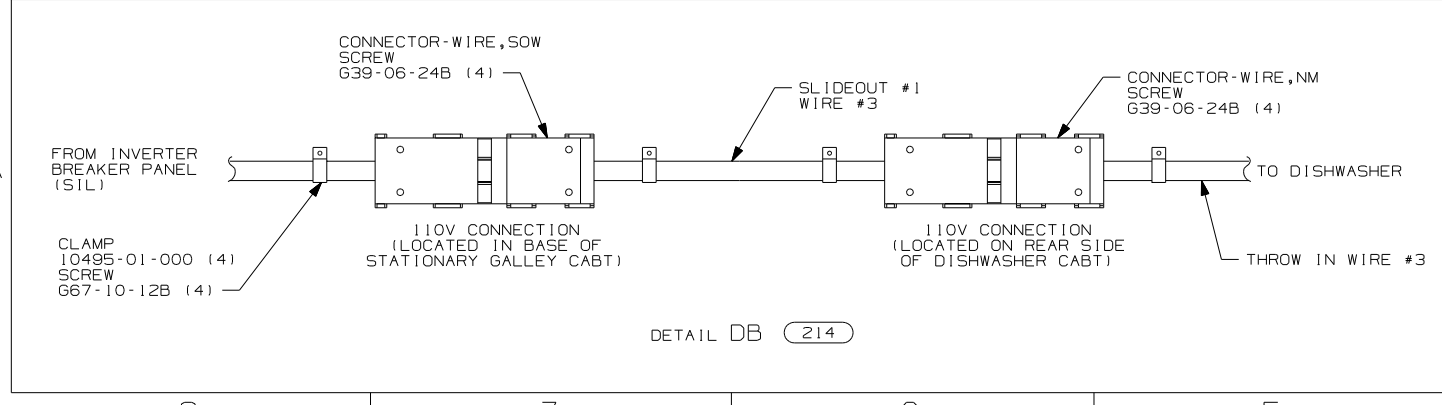
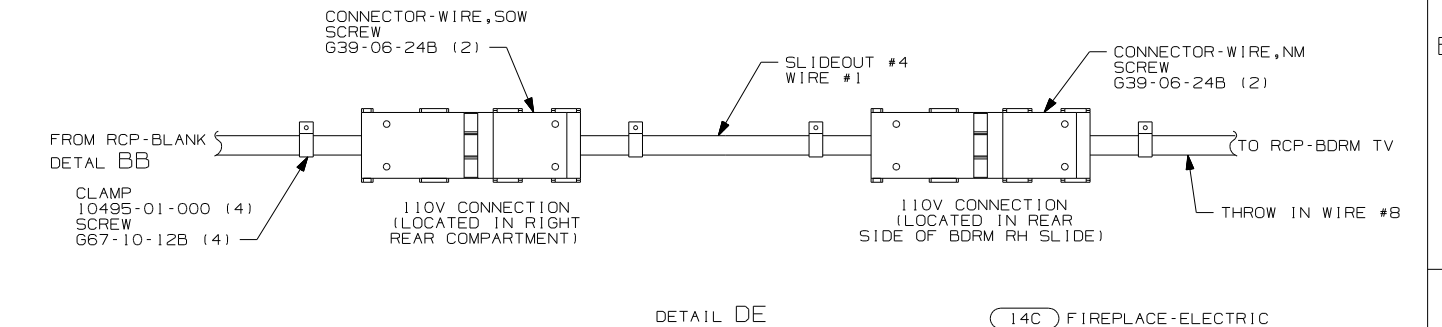
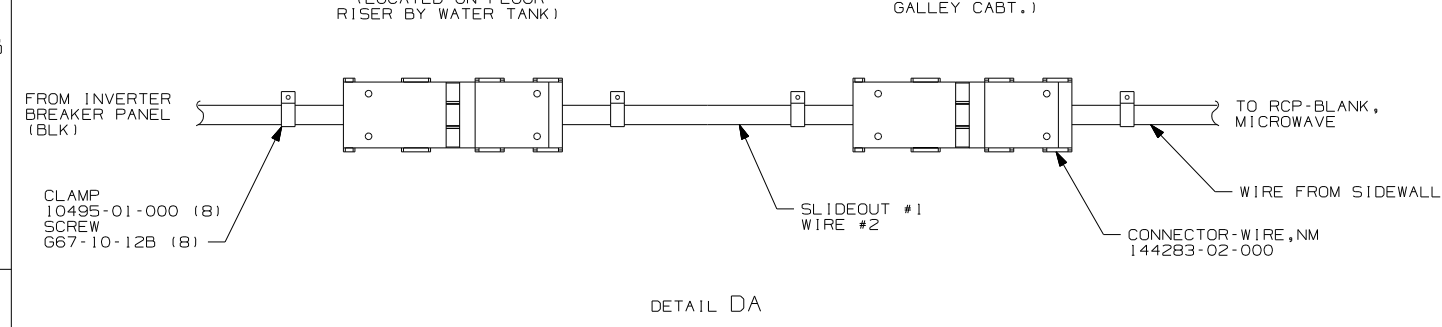
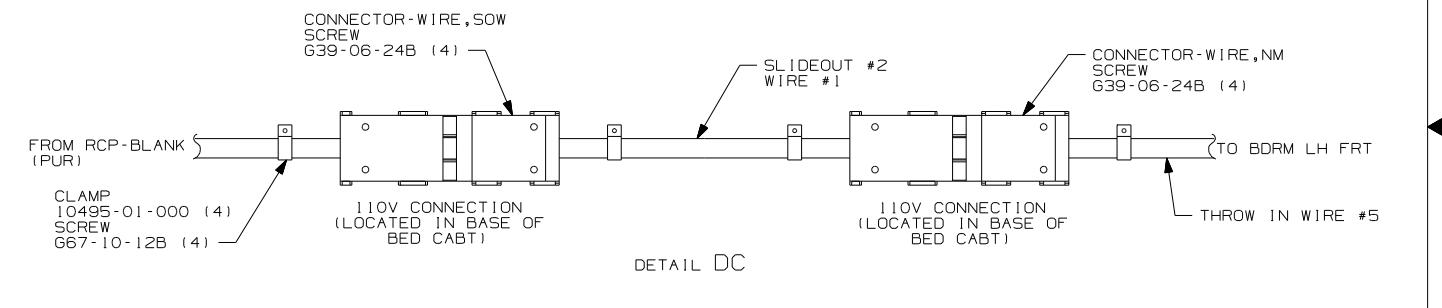
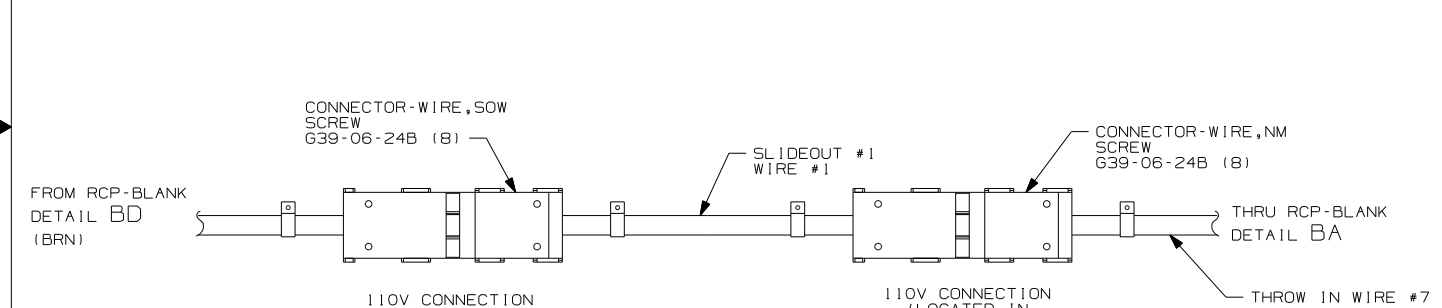
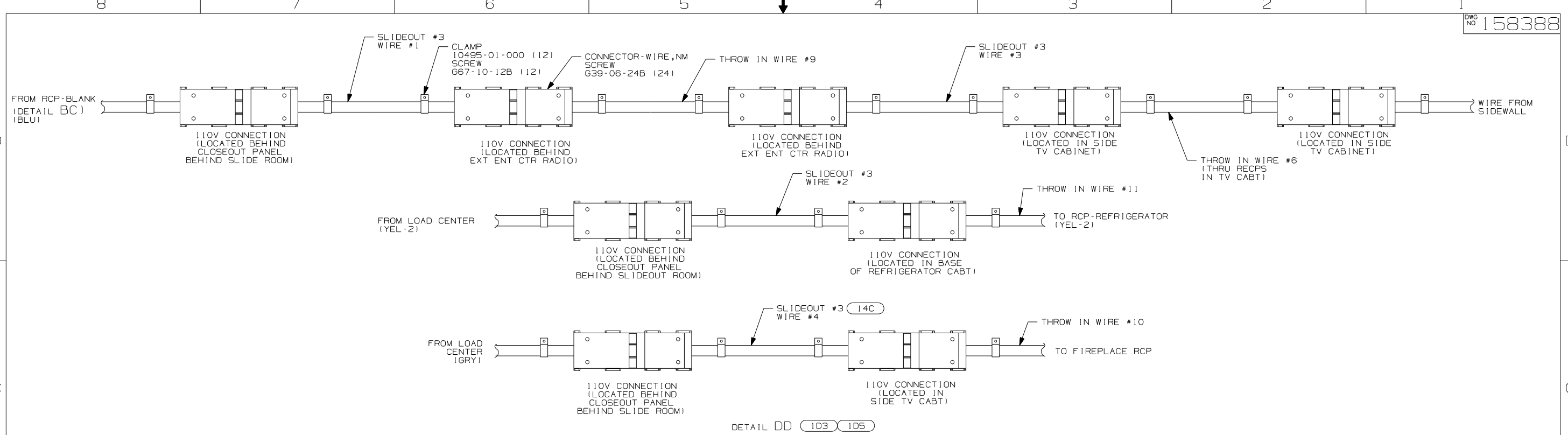
- NOTES:
1. ALL WIRES TO BE SECURED WITH CLAMP 10495 OR 10497 OR WIRE TIE 8343 OR 108046 EVERY 600MM, USE SCREW G67-XX-XXX OR G56-XX-XXX AS APPROPRIATE FOR INSTALLATION.
 2. ALL 110V WIRE TO BE CLAMPED WITH CLAMP 10497-05-000 WITHIN 200MM OF OUTLET BOXES, USE SCREW G67-10-12B.
 3. ALL GROUND WIRES TO BE COVERED WITH TUBING 8041-02-000.
 4. FOR MORE INFORMATION SEE WIRING DIAGRAM-BODY,110V.

- (21M) WASHER/DRYER PREP
- (11E) REFRIGERATOR/FREEZER PORTABL
- (14C) FIREPLACE-ELECTRIC
- (14W) DINETTE
- (21L) DINING TABLE/CHAIRS
- (21K) DINING/COMPUTER TABLE/CHAIRS
- (78J) ELECTRICAL SYTEM - 50 AMP
- (265) CODES/STANDARDS - CSA/CMVSS
- (1B1) CODES/STANDARDS - USA

FOR ELECTRICAL TORQUE SPECIFICATIONS SEE DWG NO. 128783-01-000

FOR ELECTRICAL CALLOUTS SEE DWG NO. 121339-01-000

FIRST USED	07 S40FD	
TITLE:	DO NOT SCALE DRAWING	
	WIRE INSTL-BODY,110V	
SHEET 3	PART NO	158388



(14C) FIREPLACE-ELECTRIC

(214) DISHWASHER DRAWER STYLE

(105) ENTERTAINMENT CENTR/EXT W/CD

(103) ENTERTAIN CENTR/EXT TV-DVD

(265) CODES/STANDARDS-CSA/CMVSS

(1B1) CODES/STANDARDS USA

(1B1) (265)

FIRST USED 07 S40FD

DO NOT SCALE DRAWING

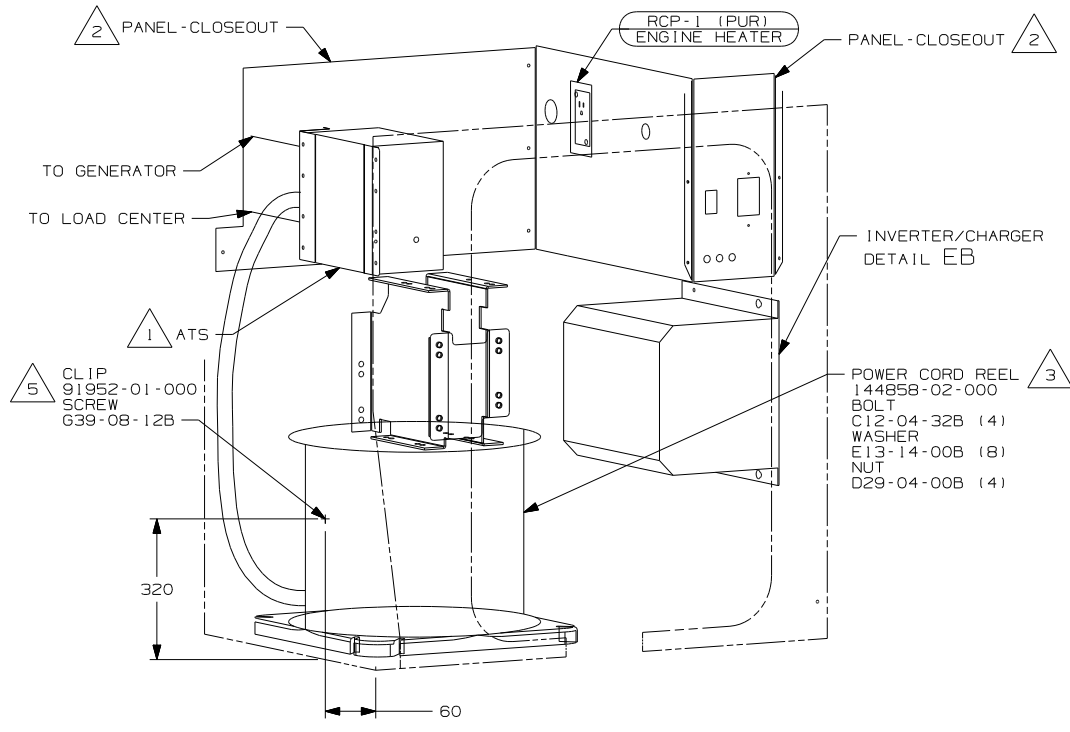
TITLE: WIRE INSTL-BODY, 110V

SHEET 4 PART NO 158388 REV

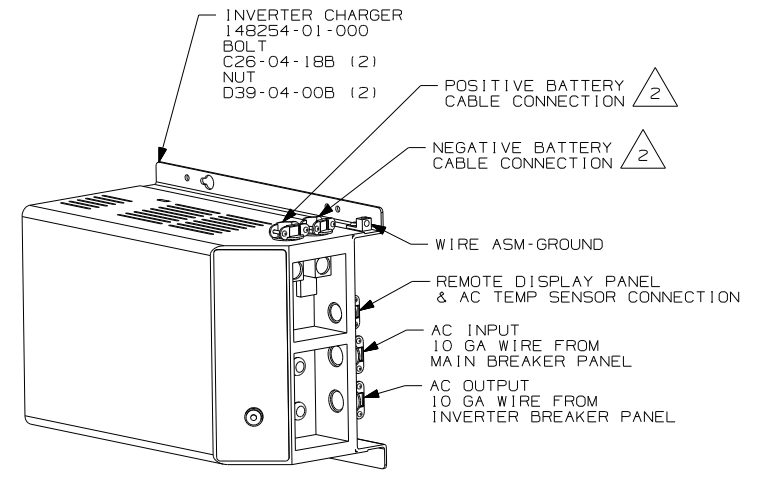
FOR ELECTRICAL TORQUE SPECIFICATIONS SEE DWG NO. 128783-01-000

(X-X) FOR ELECTRICAL CALLOUTS SEE DWG NO. 121339-01-000

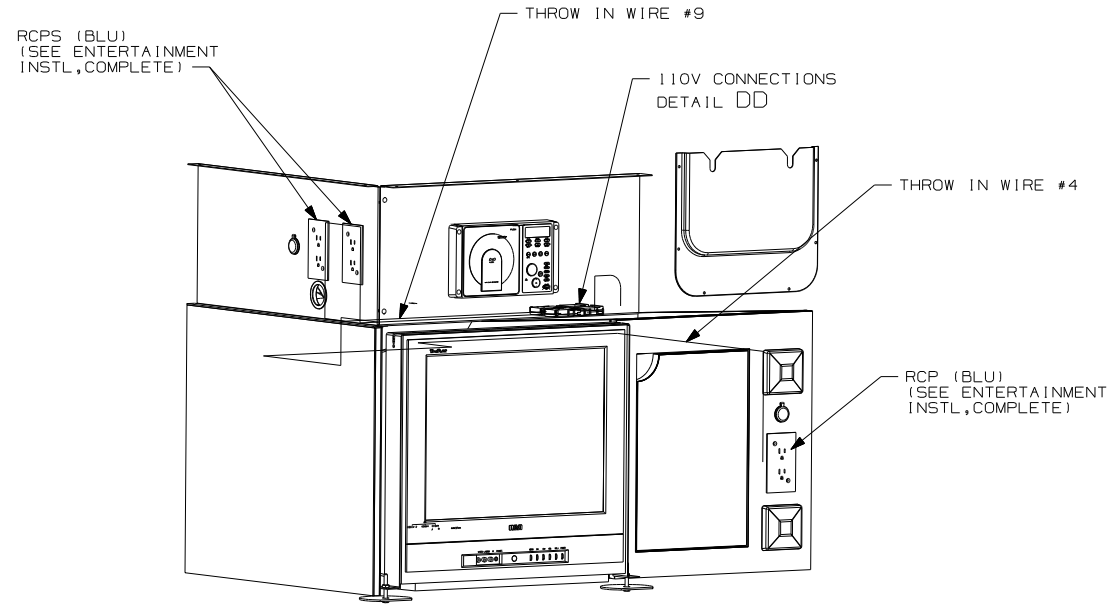
12/19/2006



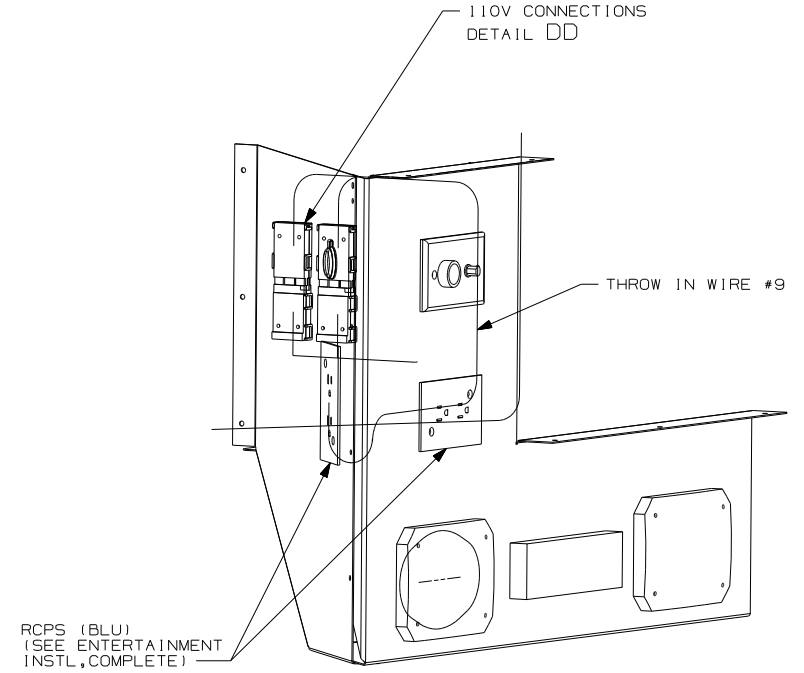
VIEW EA (12F)



DETAIL EB



DETAIL EC (ID3)



DETAIL EC (ID5)

- NOTES:
- 5 FASTEN CLIP TO INSIDE LEFT COMPARTMENT WALL.
 - 4 PLUG POWER CORD REEL MOUNTING HOLES WITH PLUG-PLASTIC 81211-01-000 (4).
 - 3 INSERT BOLT FROM BOTTOM OF COMPT.
 - 2 SEE WIRING INSTL-CHASSIS FOR ADDITIONAL INFORMATION.
 - 1 SEE LOAD CENTER/ATS ASM FOR ADDITIONAL INFORMATION.

- (12G) POWER CORD REEL - WITHOUT
- (12F) POWER CORD REEL
- (ID5) ENTERTAINMENT CENTR/EXT W/CD
- (ID3) ENTERTAIN CENTR/EXT TV-DVD
- (265) CODES/STANDARDS-CSA/CMVSS
- (1B1) CODES/STANDARDS USA

FOR ELECTRICAL TORQUE SPECIFICATIONS SEE DWG NO. 128783-01-000

FOR ELECTRICAL CALLOUTS SEE DWG NO. 121339-01-000

FIRST USED		07 S40FD	
DO NOT SCALE DRAWING			
TITLE: WIRE INSTL-BODY, 110V			
SHEET 5	PART NO	158388	REV