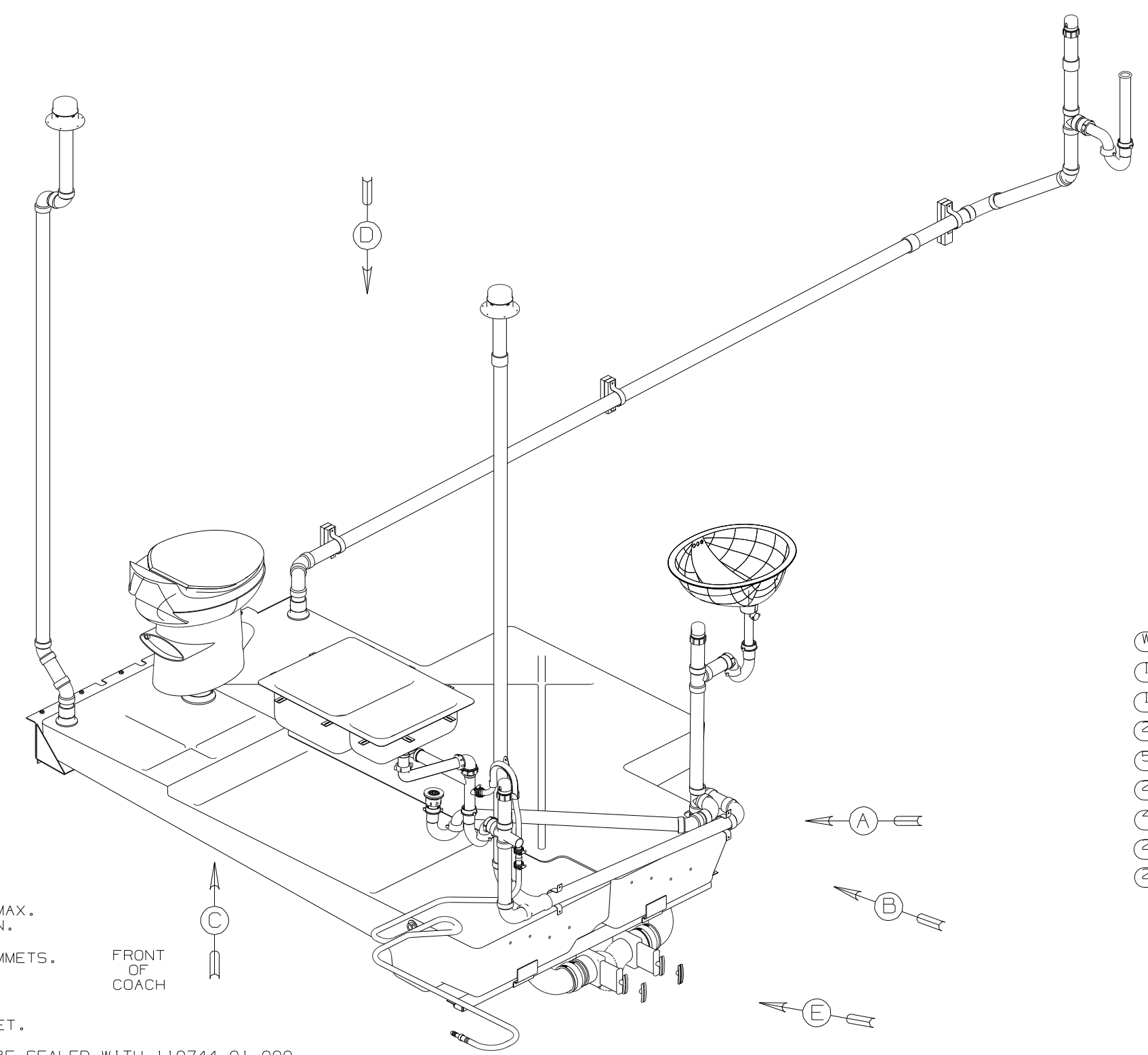


DWG NO	-----
157436-01	(WIN)
157436-02	(ITA)

RELEASE	REV DATE	DWG NO
A		157436
REV ZONE	REVISION RECORD	DATE



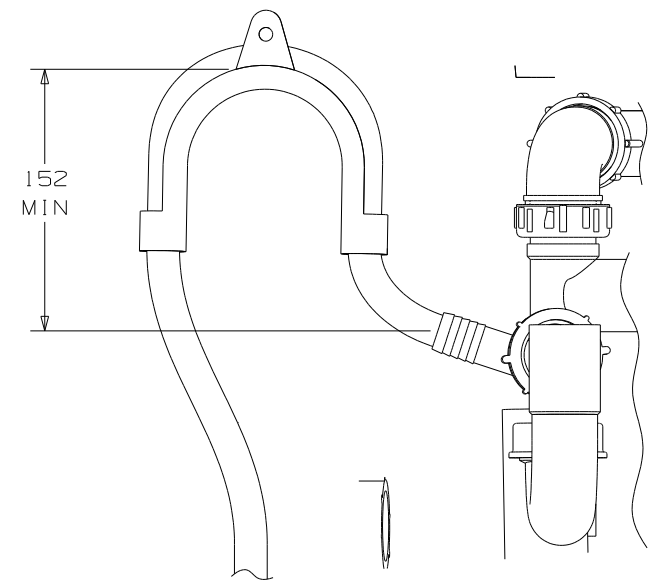
- (WIN) WINNEBAGO ONLY
- (ITA) ITASCA ONLY
- (IB1) CODES/STANDARDS-USA
- (265) CODES/STDS-CSA/CMVSS
- (54E) WASHER/DRYER
- (21M) WASHER/DRYER PREP
- (430) TOILET-PORCELAIN
- (214) DISHWASHER DRAWER STYLE
- (215) DISHWASHER WITHOUT

- 8 VENT PIPE MUST PROJECT 51 MIN AND 64 MAX. ABOVE ROOF FOR PROPER FIT AND FUNCTION.
7. SEE DWG 61607-01-000 FOR INSTL OF GROMMETS.
6. SEAL ALL AROUND SHOWER WITH SILICONE.
- 5 SECURE VENT TUBES TO FLOOR WITH BRACKET.
4. ALL EXTERIOR OPENINGS AROUND PIPE TO BE SEALED WITH 110744-01-000.
3. ALL PIPE AND FITTINGS TO BE ASSEMBLED WITH SOLVENT 4020-01-000.
2. SLOPE OF TRAP ARM MUST BE 6 PER 305.
1. SLOPE OF HORIZONTAL PIPING TO BE 6 PER 305 mm.

FRONT OF COACH

(X-X)  
FOR DRAINAGE CALLOUTS SEE DWG NO 116229-01-000

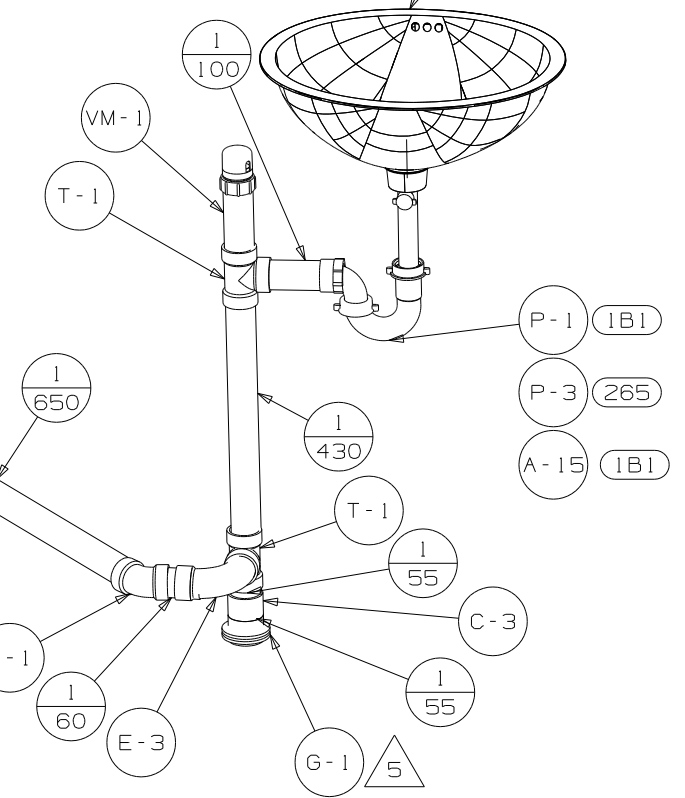
<b>WINNEBAGO</b>		COPYRIGHT 2006 WINNEBAGO INDUSTRIES, INC.	
DFT	ORIG. DATE	ALL DIMENSIONS ARE IN MILLIMETERS	
CHKR		FIRST USED	
P.E.		07 S40FD	
M.E.		UNSPECIFIED TOLERANCES ARE:	
DSNR		MATERIAL:	
		WHOLE DIM (X) :	3
		ONE-PLACE (X.X) :	
		TWO-PLACE (X.XX) :	
		ANGLE :	
		THIRD ANGLE PROJECTION	
DO NOT SCALE DRAWING			
TITLE: DRAINAGE SYSTEM INSTL			
SHEET 1 OF 4	PART NO	157436	REV



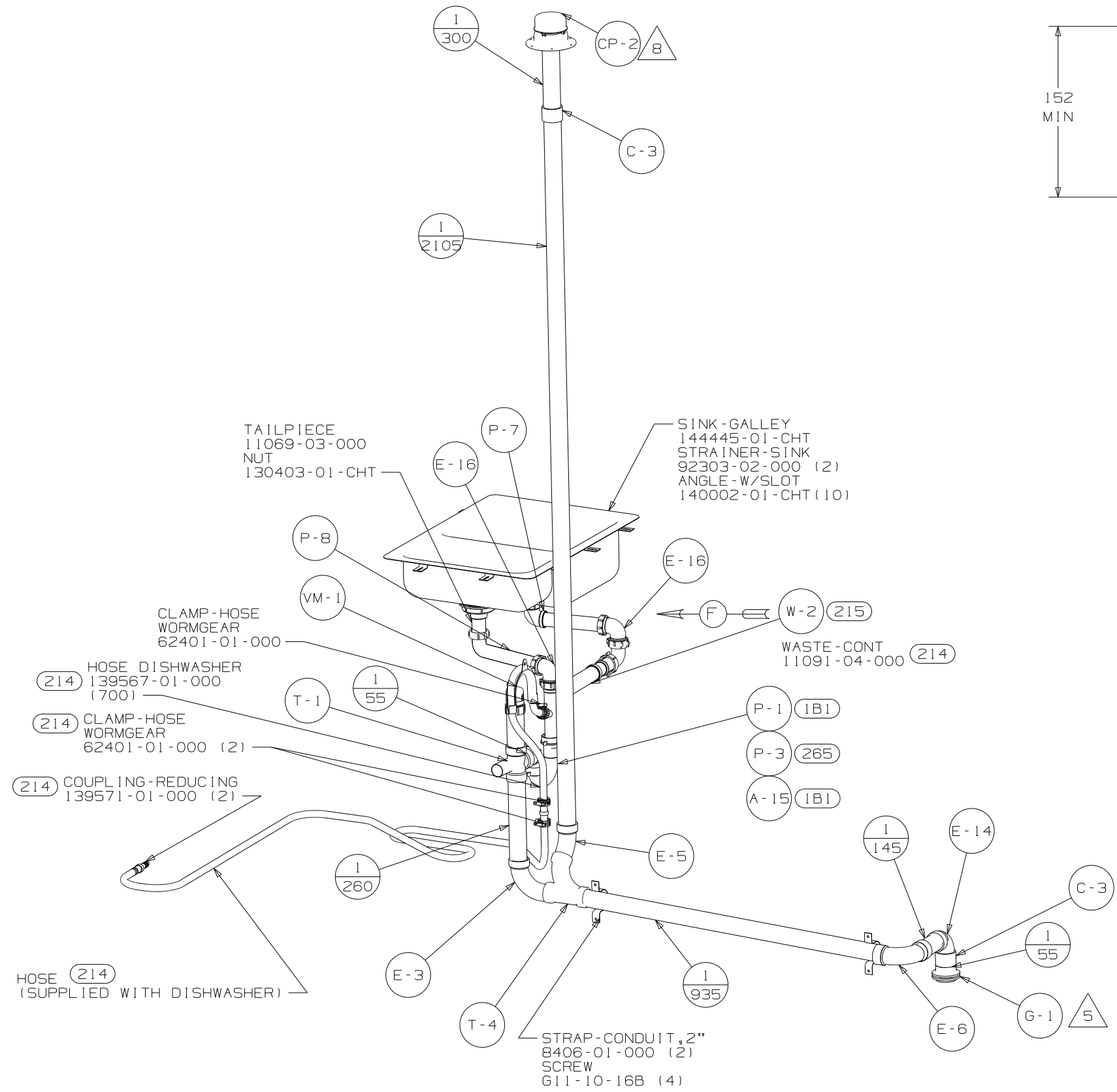
VIEW F

SINK-LAV, OVAL CHINA  
 155318-01-CHT  
 ANGLE  
 153338-02-CHT (10)  
 WASTE ASM-LAV  
 151556-01-CHT

SHOWER INSTL  
 142018-02-XXX  
 STRAINER  
 66440-01-000  
 NUT  
 130403-01-000  
 TAIL PIECE  
 11069-06-000  
 WASHER  
 127440-02-CHT

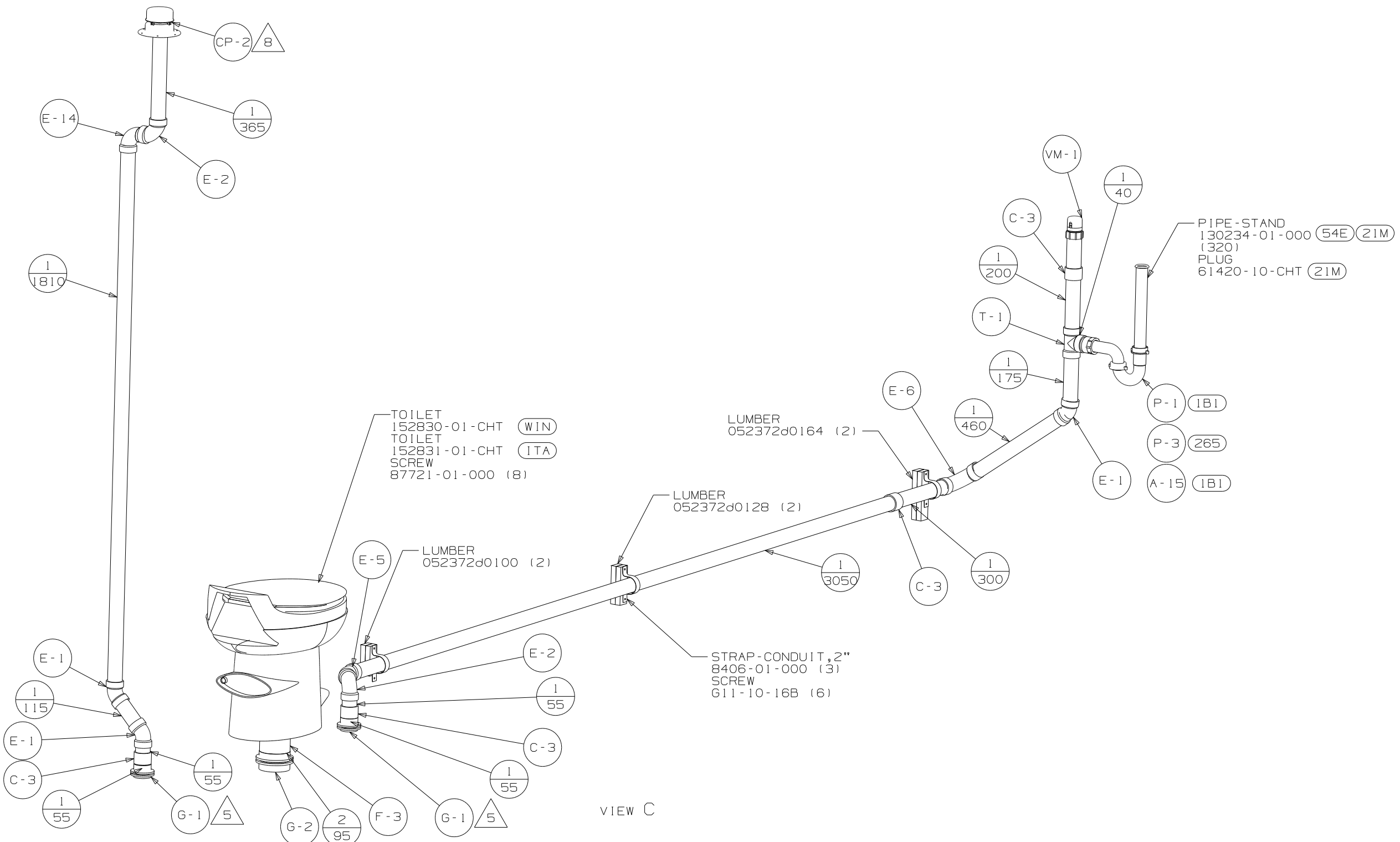


VIEW B



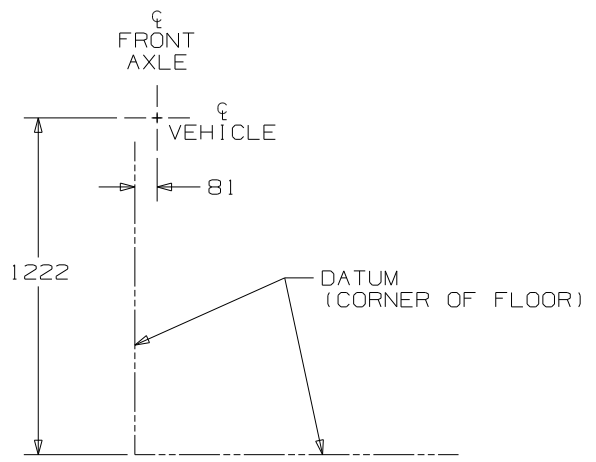
VIEW A

FIRST USED	07 S40FD	
DO NOT SCALE DRAWING		
TITLE	DRAINAGE SYSTEM INSTL	
SHEET 2	PART NO	157436
REV		

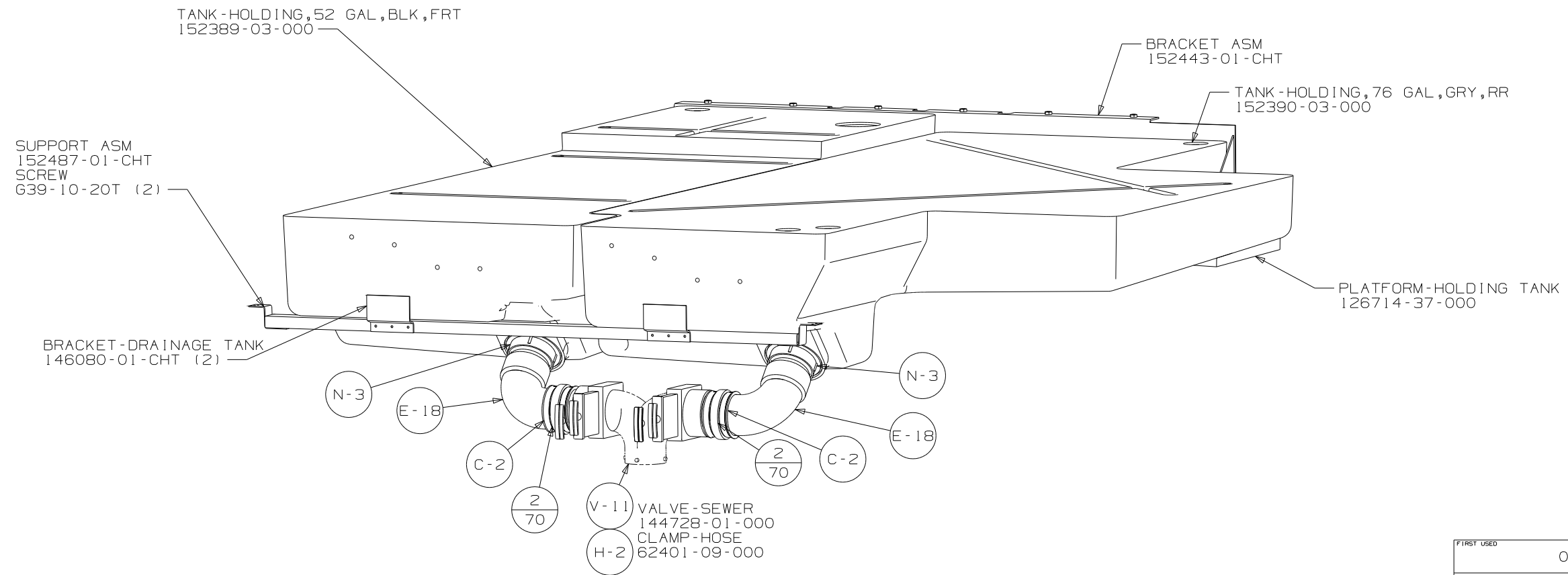
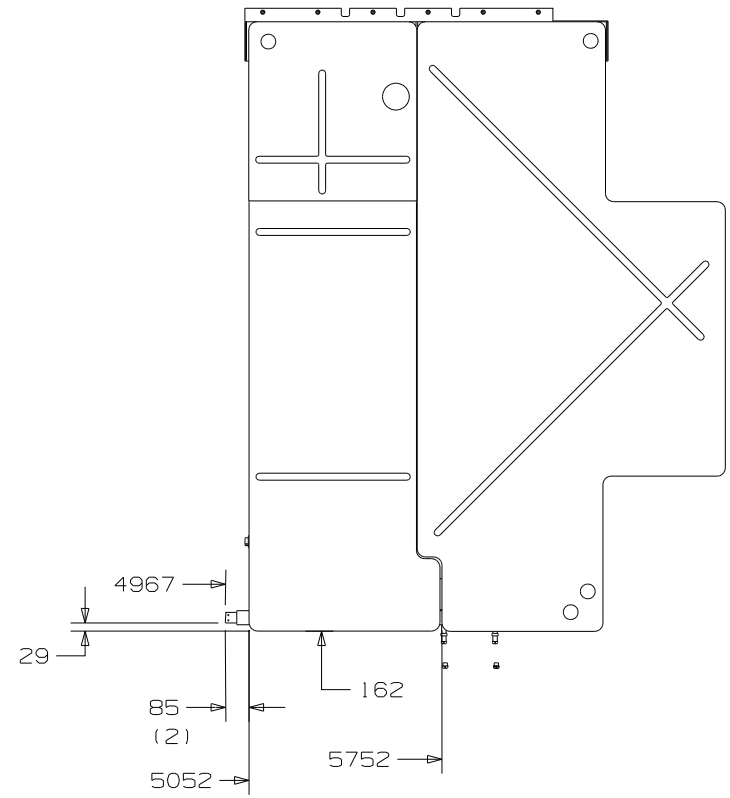


VIEW C

FIRST USED	07 S40FD	
TITLE	DO NOT SCALE DRAWING	
	DRAINAGE SYSTEM INSTL	
SHEET 3	PART NO 157436	REV



VIEW D

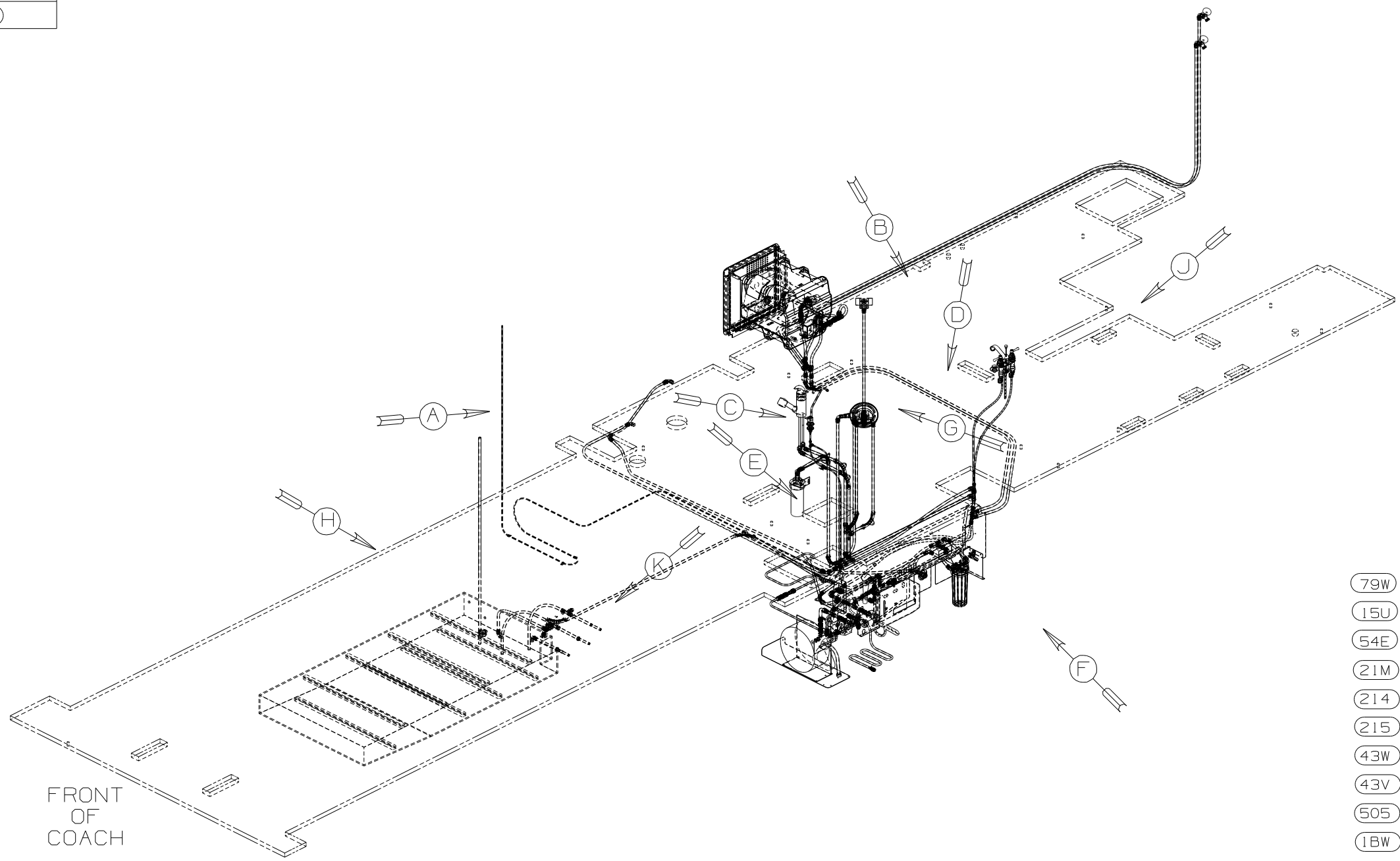


VIEW E

FIRST USED	07 S40FD	
TITLE	DO NOT SCALE DRAWING	
	DRAINAGE SYSTEM INSTL	
SHEET 4	PART NO 157436	REV

DWG NO	----
157437-01	(WIN)
157437-02	(ITA)

RELEASE	REV DATE	DWG NO
A		157437
REV ZONE	REVISION RECORD	DATE DFR-ORIG



- (79W) REFRIGERATOR-4 DOOR
- (15U) REFRIGERATOR/FRZR W-ICEMAKER
- (54E) WASHER/DRYER
- (21M) WASHER/DRYER PREP
- (214) DISHWASHER-DRAWER STYLE
- (215) DISHWASHER WITHOUT
- (43W) CABINET-LAVATORY
- (43V) CABINET-CHEST OF DRAWERS
- (505) HOSE REEL-WATER,POWERED
- (1BW) WTR HTR HIGH OUTPUT

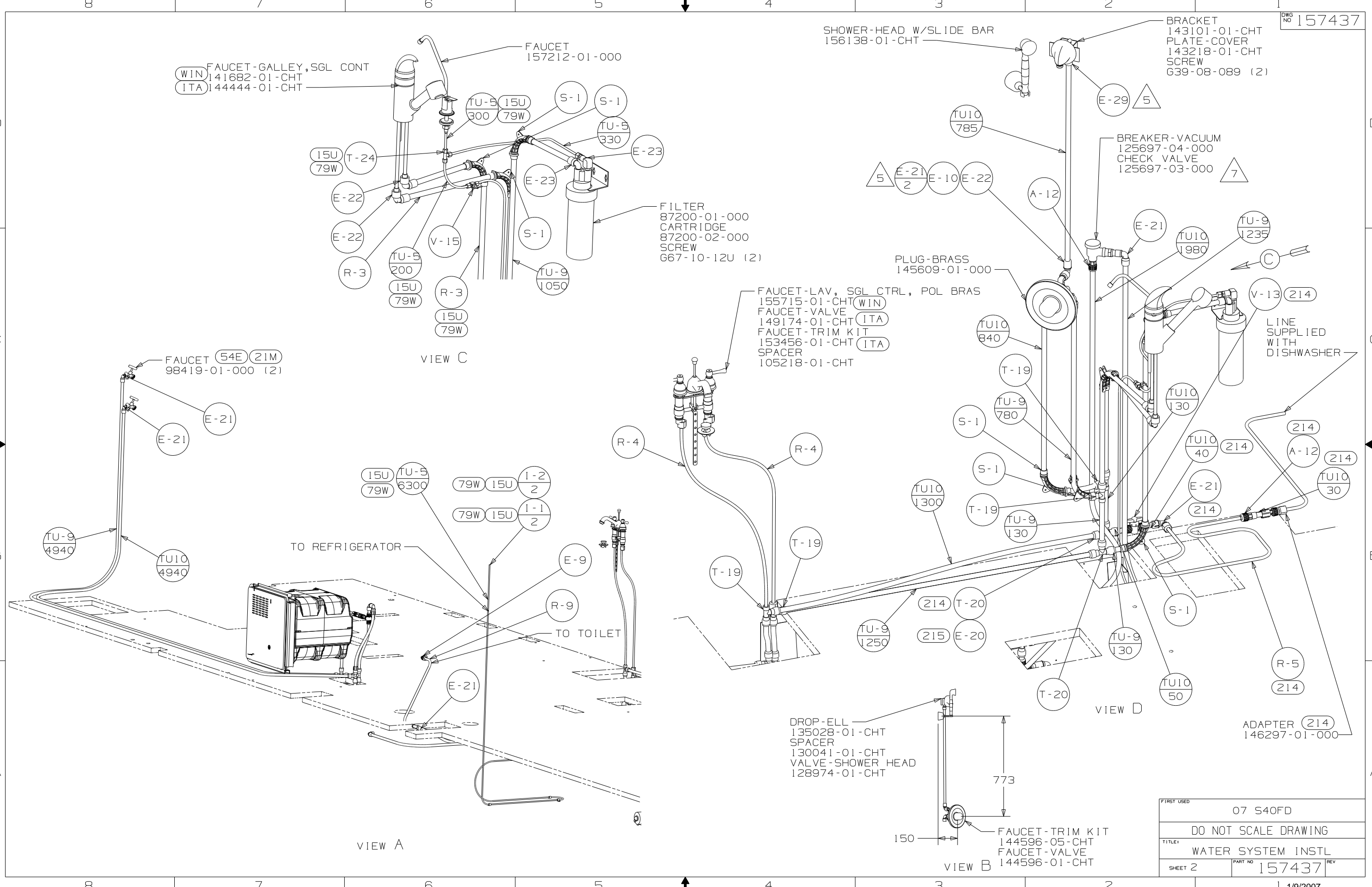
- ▲ 7 ADD TEFLON TAPE 10405-02-000.
- ▲ 6 ADD TEFLON TAPE 10405-01-000.
- ▲ 5 ADD TEFLON TAPE 10405-03-000.
- ▲ 4 DO NOT USE WITH OPTION (505).

3. ALL TUBING TO BE SECURED AT 1200 INTERVALS MAXIMUM WITH CLAMP 10495-01-000 OR CLIP 91951-01-000 AND SCREW G67-10-12B, ORZIP TIE.
2. TUBING TO BE INSTALLED WITH SUFFICIENT SLOPE TO PROVIDE DRAINAGE TO NEAREST VALVE.
1. PLASTIC FITTINGS TO BE SEALED WITH SEALANT 84456-01-000.

NOTES:

(X-X)  
FOR WATER CALLOUTS SEE DWG NO 116230-01-000

<b>WINNEBAGO</b>		COPYRIGHT 2007 WINNEBAGO INDUSTRIES, INC.	
DFTR	ORIG. DATE	ALL DIMENSIONS ARE IN MILLIMETERS	
CHKR		FIRST USED	
P.E.		07 S40FD	
M.E.		UNSPECIFIED TOLERANCES ARE:	
DSNR		MATERIAL:	
		WHOLE DIM (X) :	7
		ONE-PLACE (X.X) :	
		TWO-PLACE (X.XX) :	
		ANGLE :	
THIRD ANGLE PROJECTION		DO NOT SCALE DRAWING	
TITLE: WATER SYSTEM INSTL			
SHEET 1 OF 5	PART NO 157437	REV	
REF:	1 1/9/2007		



FAUCET-GALLEY, SGL CONT  
 (WIN) 141682-01-CHT  
 (ITA) 144444-01-CHT

FAUCET  
 157212-01-000

SHOWER-HEAD W/SLIDE BAR  
 156138-01-CHT

BRACKET  
 143101-01-CHT  
 PLATE-COVER  
 143218-01-CHT  
 SCREW  
 639-08-089 (2)

FILTER  
 87200-01-000  
 CARTRIDGE  
 87200-02-000  
 SCREW  
 667-10-12U (2)

FAUCET-LAV, SGL CTRL, POL BRAS  
 155715-01-CHT (WIN)  
 FAUCET-VALVE  
 149174-01-CHT (ITA)  
 FAUCET-TRIM KIT  
 153456-01-CHT (ITA)  
 SPACER  
 105218-01-CHT

BREAKER-VACUUM  
 125697-04-000  
 CHECK VALVE  
 125697-03-000

FAUCET (54E) (21M)  
 98419-01-000 (2)

VIEW C

TO REFRIGERATOR

TO TOILET

DROP-ELL  
 135028-01-CHT  
 SPACER  
 130041-01-CHT  
 VALVE-SHOWER HEAD  
 128974-01-CHT

VIEW D

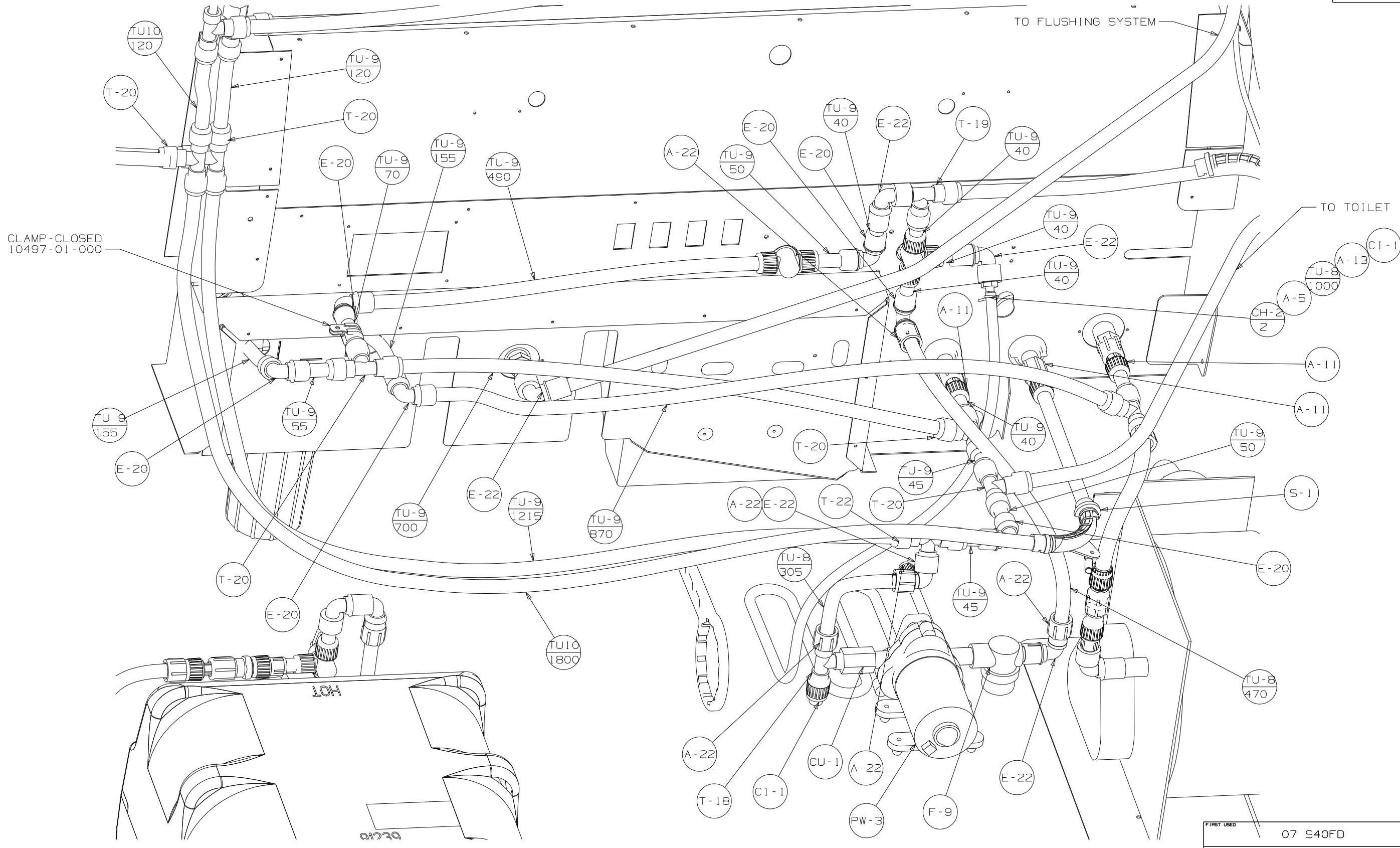
ADAPTER (214)  
 146297-01-000

VIEW A

VIEW B

FAUCET-TRIM KIT  
 144596-05-CHT  
 FAUCET-VALVE  
 144596-01-CHT

FIRST USED	07 S40FD	
TITLE	DO NOT SCALE DRAWING	
TITLE	WATER SYSTEM INSTL	
SHEET 2	PART NO	157437
REV		



CLAMP-CLOSED  
10497-01-000

TO FLUSHING SYSTEM

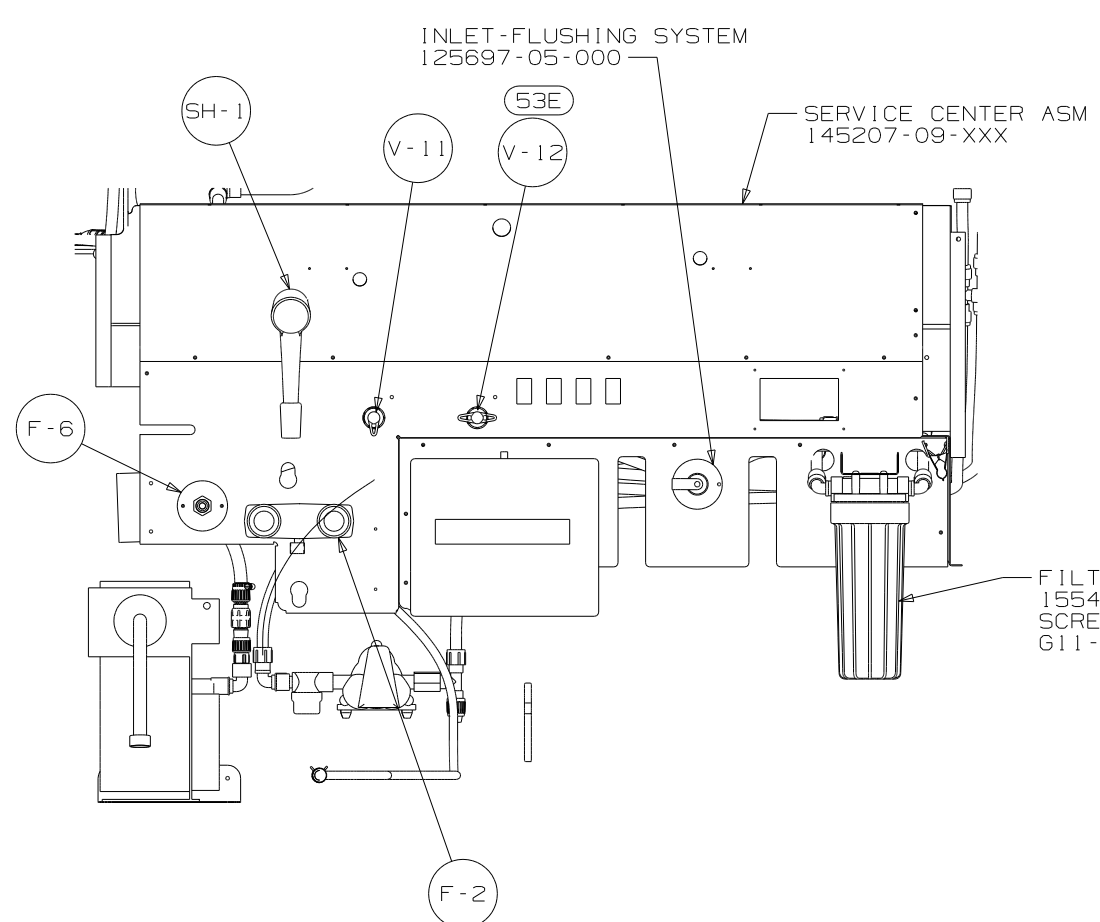
TO TOILET

HOT

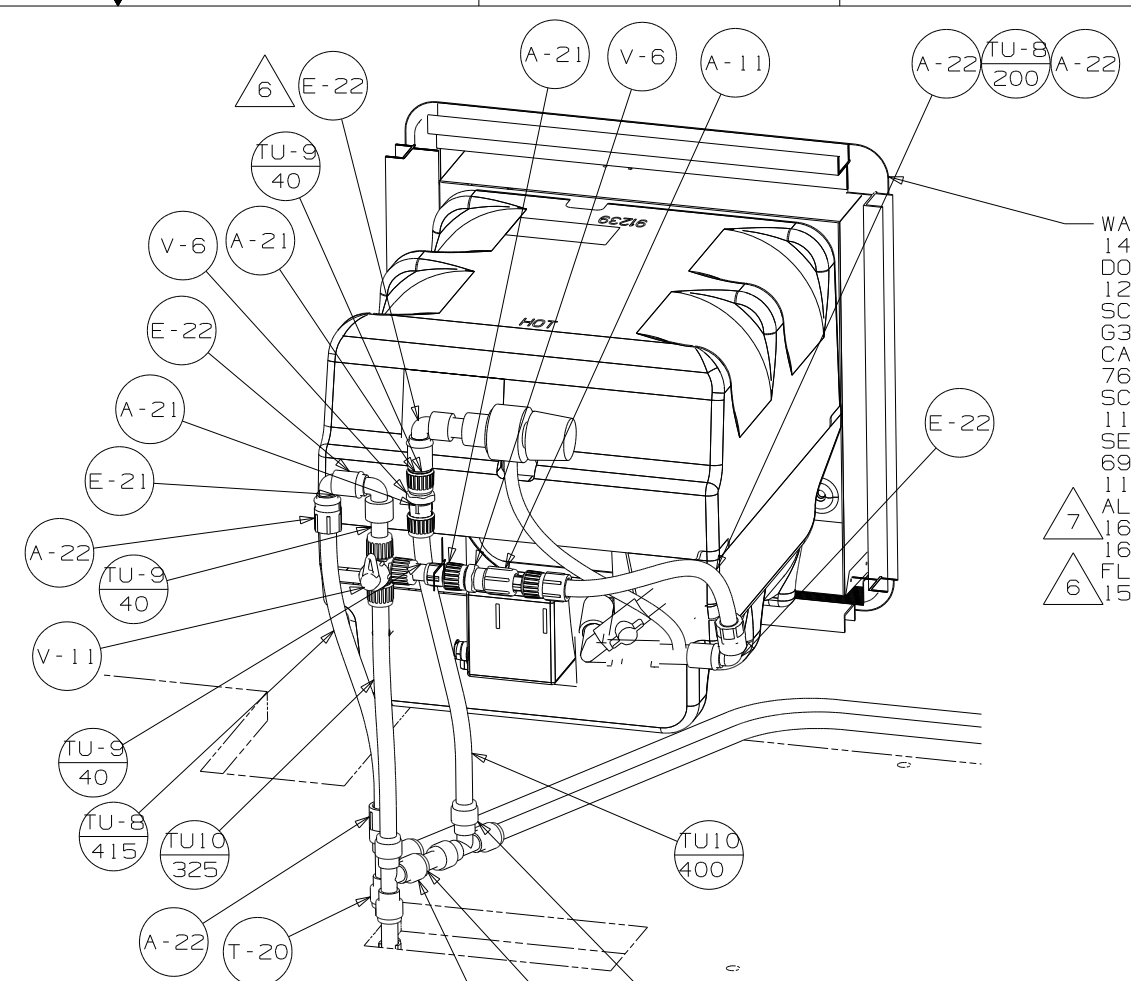
01729

VIEW E  
POWER HOSE REEL CONNECTIONS NOT SHOWN

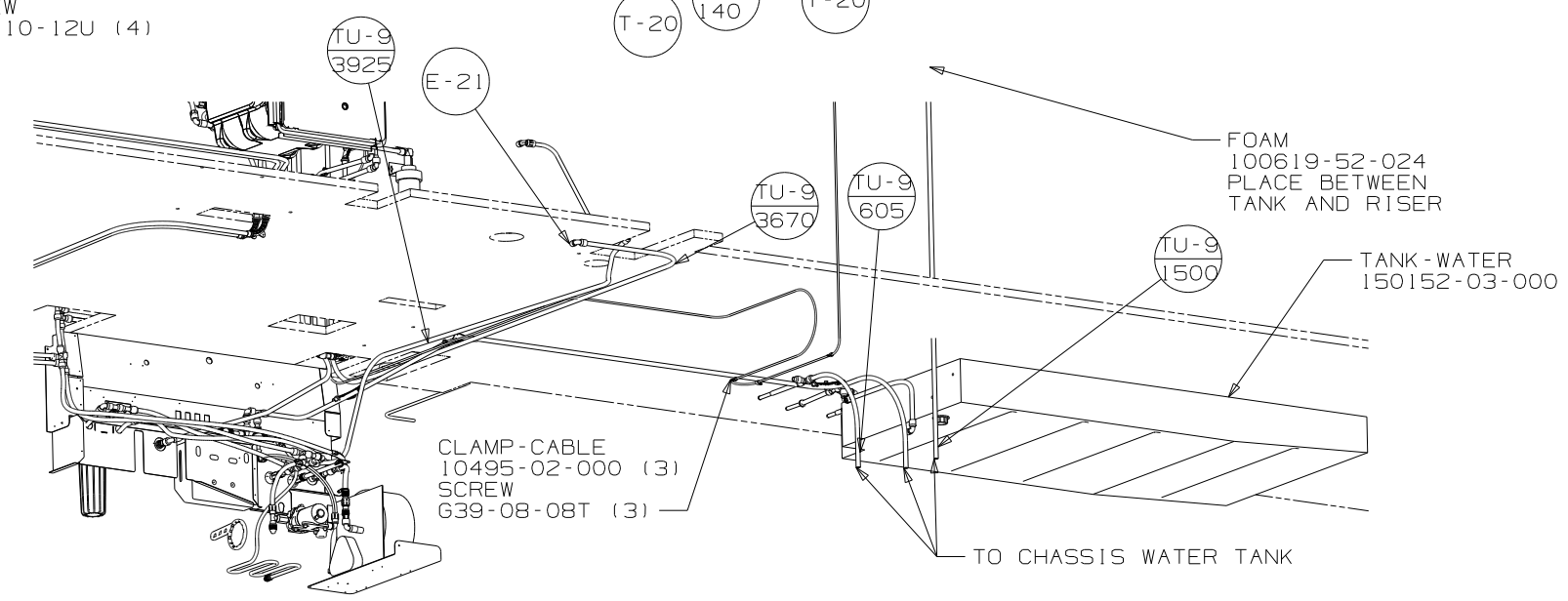
FIRST USED	07 S40FD
TITLE	DO NOT SCALE DRAWING
SHEET 3	PART NO 157437
	REV



VIEW F



VIEW G

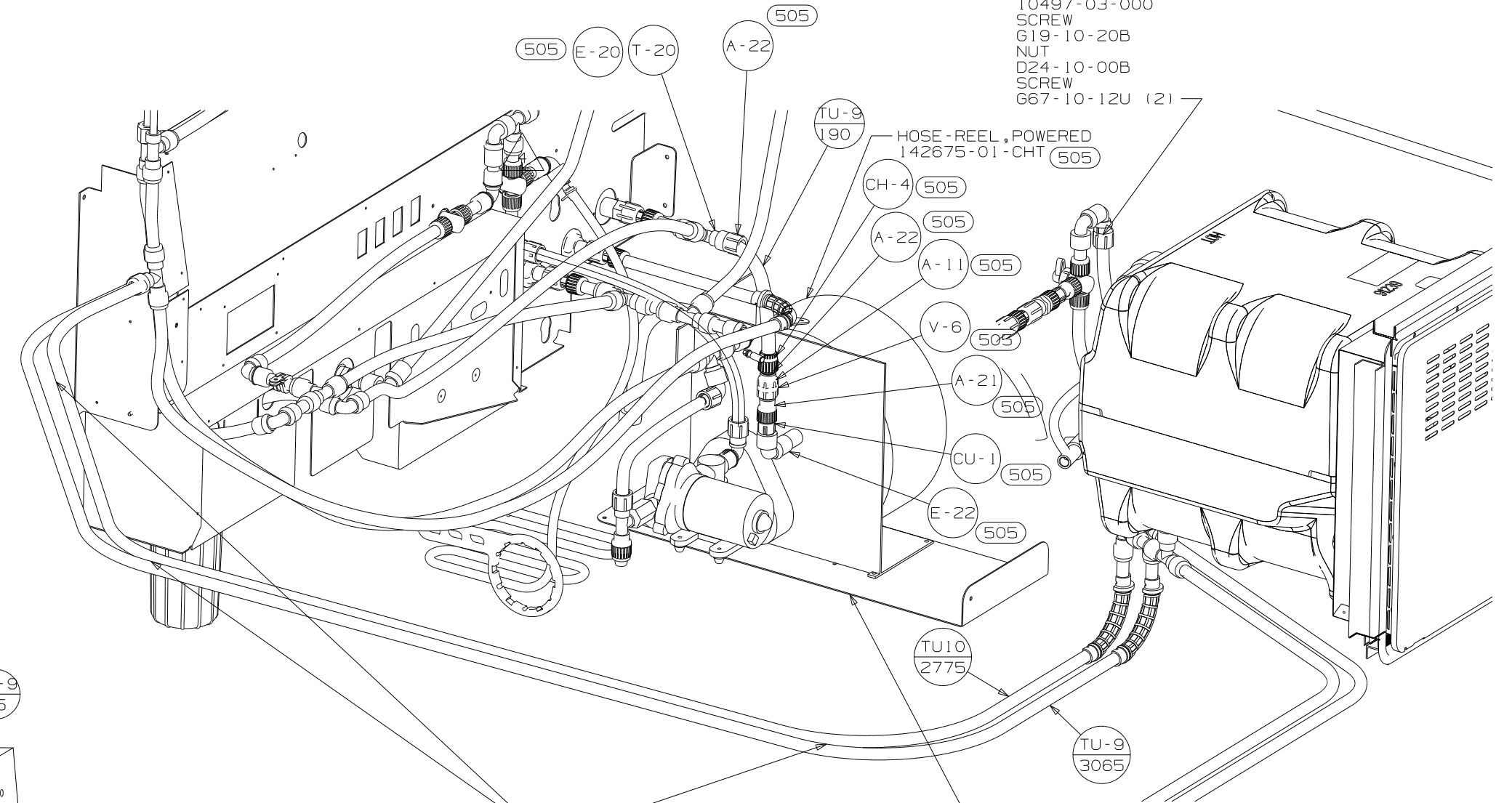


VIEW H

FIRST USED	07 S40FD	
TITLE	DO NOT SCALE DRAWING	
TITLE	WATER SYSTEM INSTL	
SHEET 4	PART NO	157437
		REV



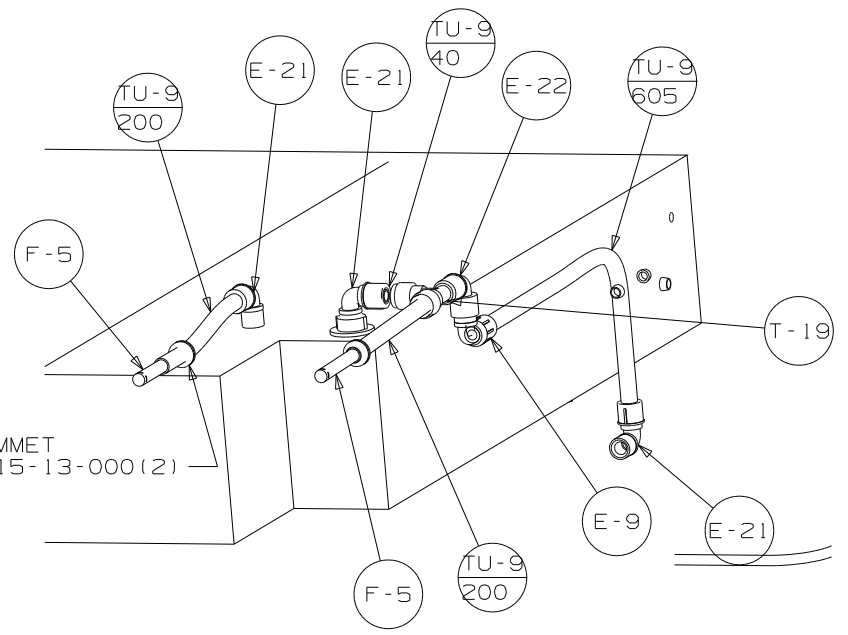
- BRACKET - VALVE, BYPASS, HEATER  
151245-01-CHT
- CLAMP  
10497-03-000
- SCREW  
G19-10-20B
- NUT  
D24-10-00B
- SCREW  
G67-10-12U (2)



CLAMP TO UPPER FLOOR TUBES TO MAINTAIN A DOWNWARD SLOPE TOWARDS THE SERVICE CENTER

- BRACKET  
145758-01-CHT
- RIVET  
118626-01-CHT (4)
- SCREW  
G39-10-20U (2)

VIEW J



GROMMET  
71015-13-000 (2)

VIEW K

FIRST USED	07 S40FD	
TITLE	DO NOT SCALE DRAWING	
TITLE	WATER SYSTEM INSTL	
SHEET 5	PART NO	157437
	REV	1 1/9/2007