



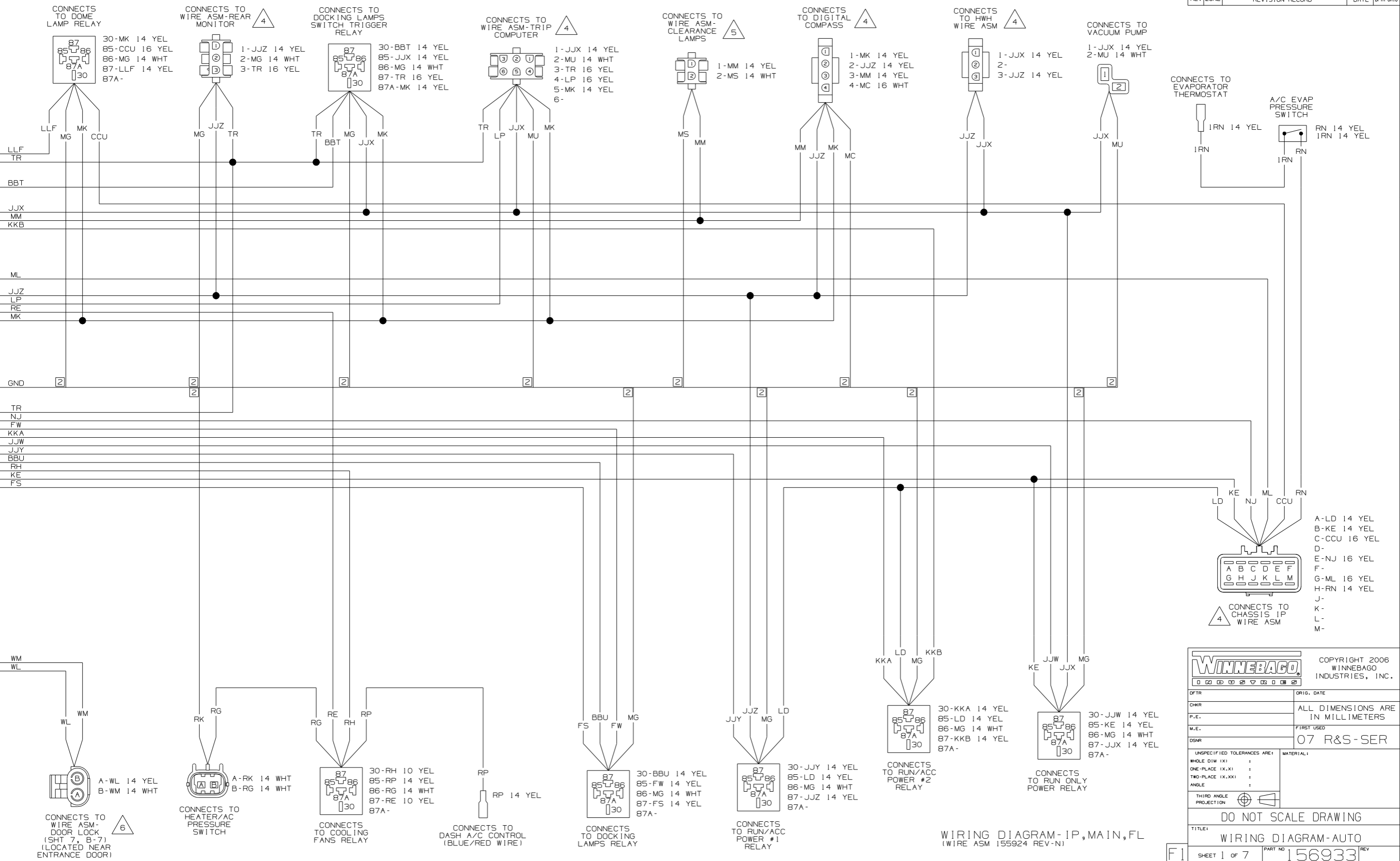
DANGER

Danger of electrical shock, burns or death. Always remove all power sources before attempting any repair, service or diagnostic work. Power can be present from shore power, generator, inverter or battery. All power sources must be disabled and secured before performing any service.



CAUTION

If you lack the skills, tools or equipment to perform diagnostic or repair work leave such work to an authorized Winnebago Industries dealer or other qualified shop.



WIRING DIAGRAM-IP,MAIN,FL
 (WIRE ASM 155924 REV-N)

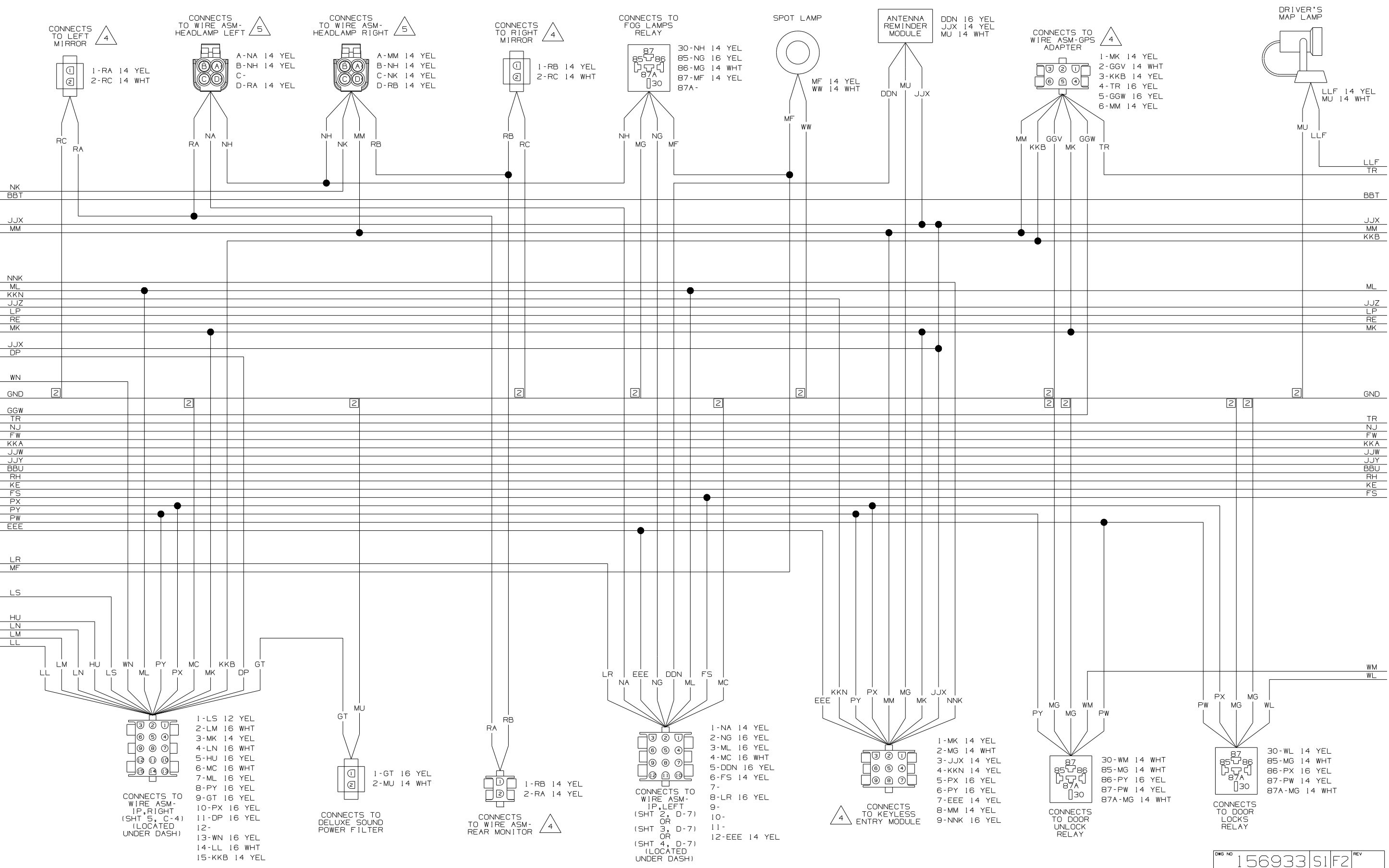
WINNEBAGO COPYRIGHT 2006 WINNEBAGO INDUSTRIES, INC.

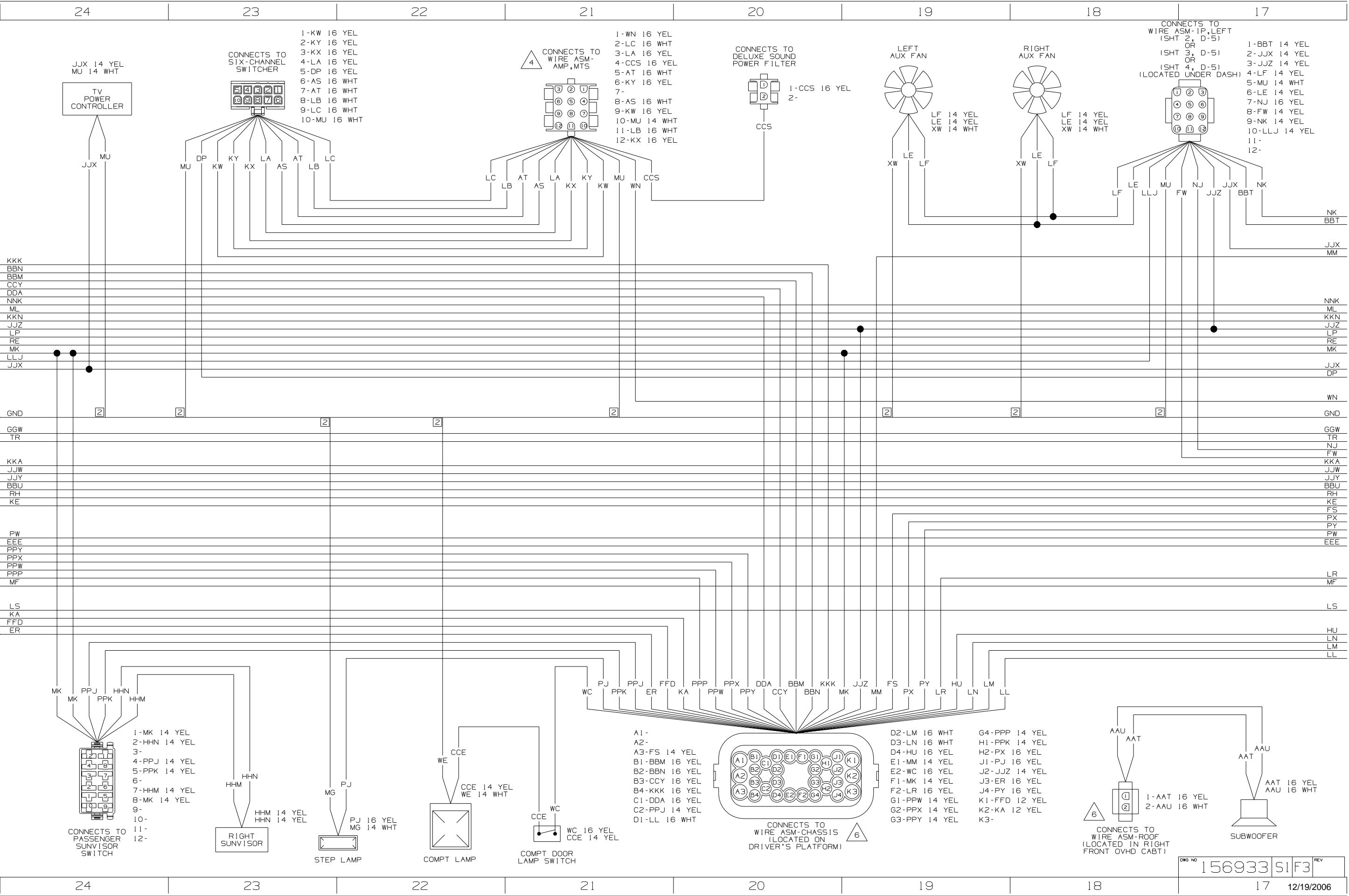
DFTR	ORIG. DATE
CHR	ALL DIMENSIONS ARE IN MILLIMETERS
P.E.	FIRST USED
M.E.	07 R&S-SER
DSNR	

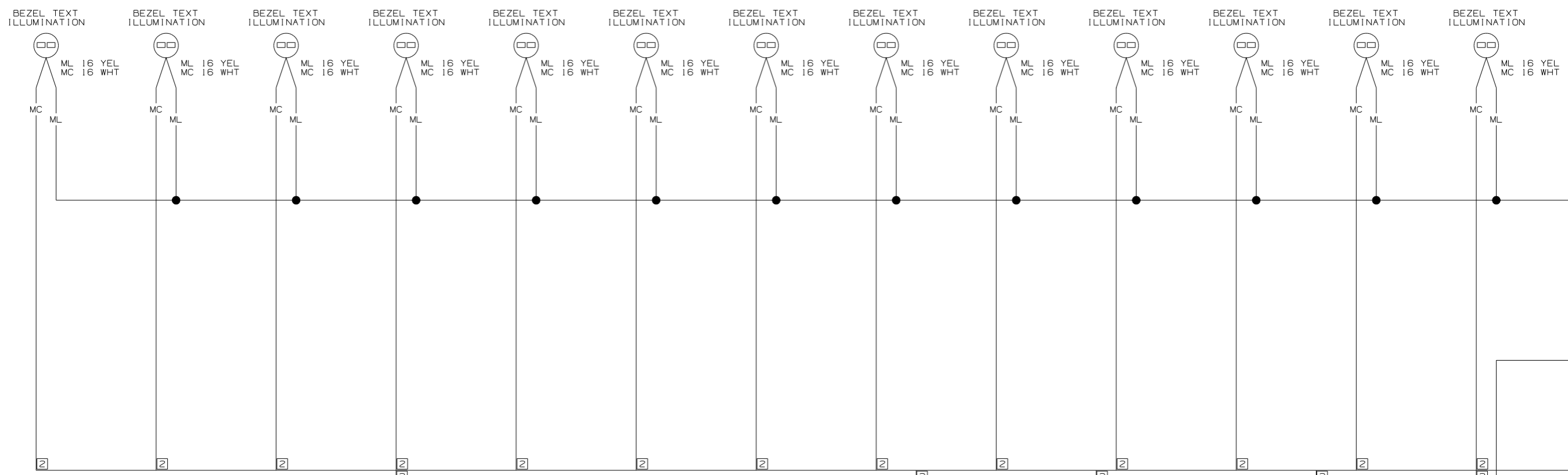
UNSPECIFIED TOLERANCES ARE: MATERIAL:
 WHOLE DIM (X) :
 ONE-PLACE (X.X) :
 TWO-PLACE (X.XX) :
 ANGLE :
 THIRD ANGLE PROJECTION

DO NOT SCALE DRAWING

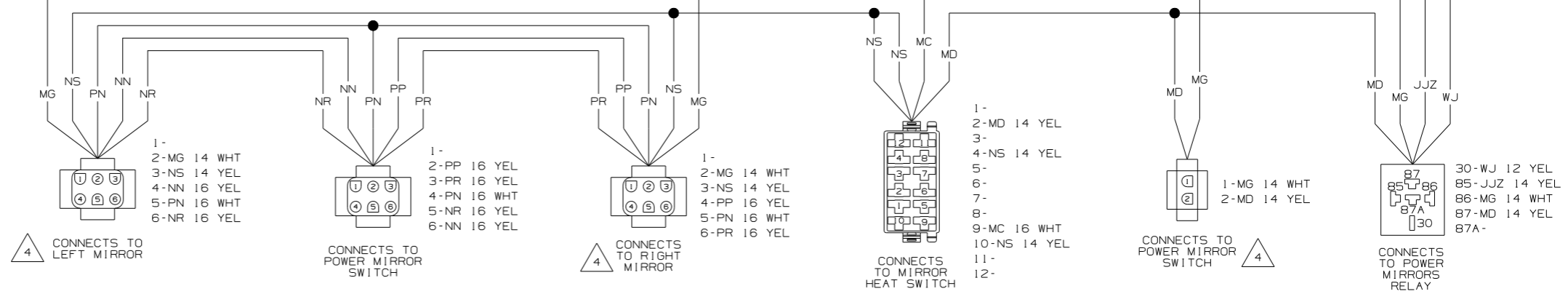
TITLE: WIRING DIAGRAM-AUTO
 SHEET 1 of 7 PART NO 156933 REV
 REF: 1 12/19/2006

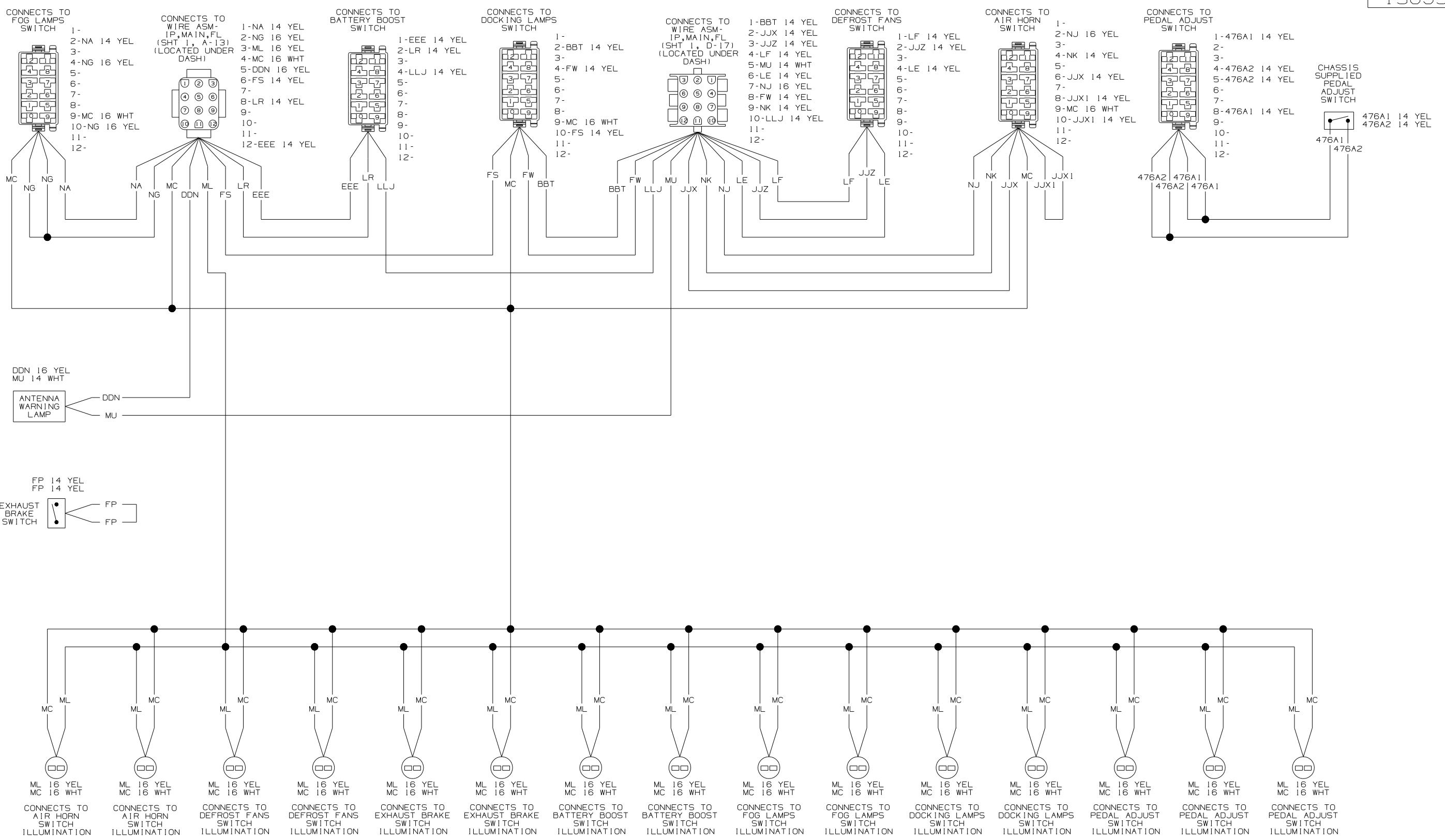






- 6 SEE WIRING DIAGRAM-BODY,12V FOR ADDITIONAL INFORMATION.
 - 5 SEE WIRING DIAGRAM-AUTO LAMPS FOR ADDITIONAL INFORMATION.
 - 4 SEE MANUFACTURERS DIAGRAM FOR ADDITIONAL INFORMATION.
 - 3 GROUNDS ARE SHOWN AS A SINGLE LINE FOR EASE IN TRACING. EACH GROUND CIRCUIT IS SEPERATE IN THE HARNESS.
 - 2 NOT A SPLICE POINT. INDICATES ENTRY INTO WIRING HARNESS.
- NOTES:
1. SPLICES ARE THEORETICAL AND MAY DIFFER IN THE HARNESS.

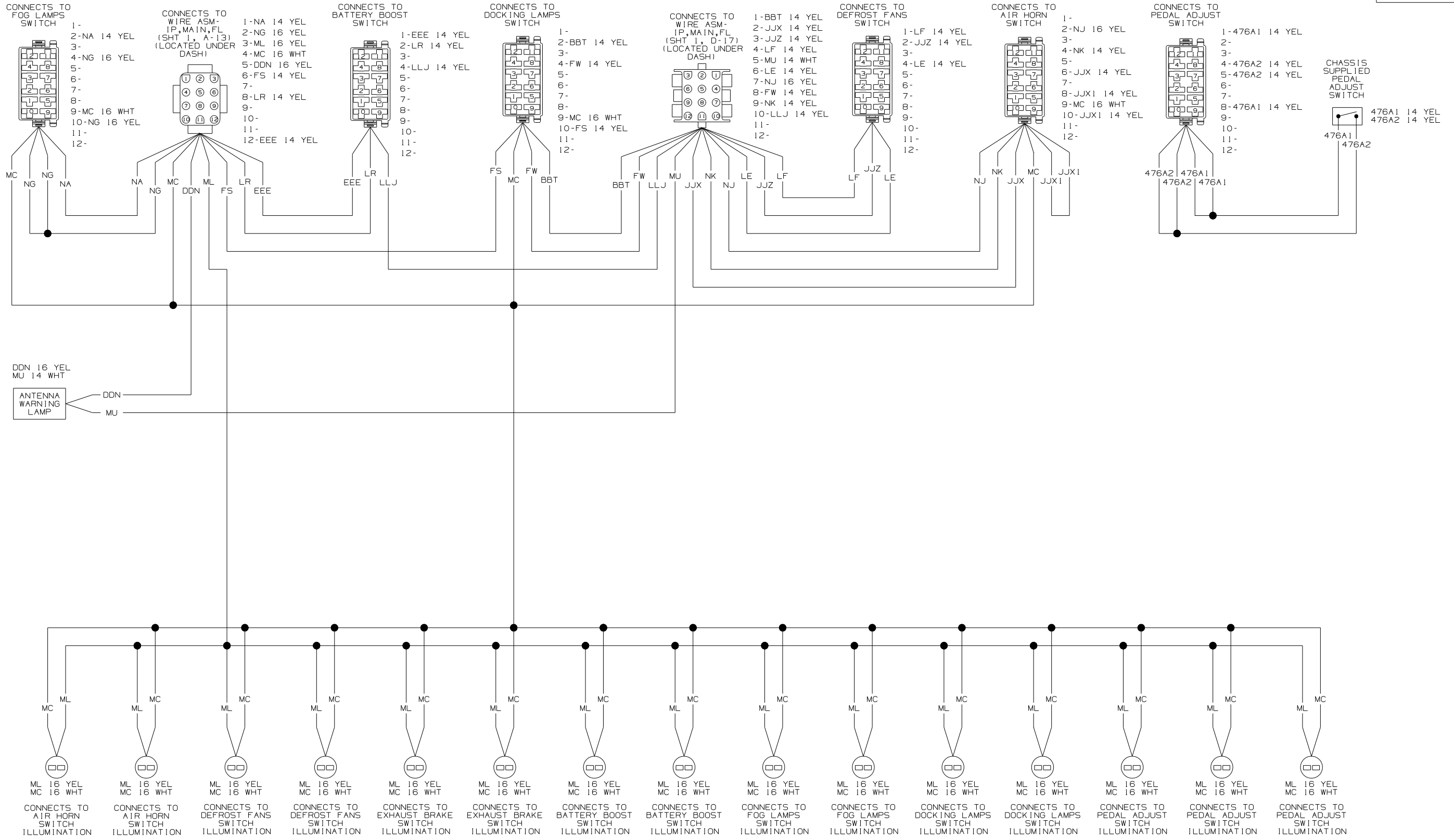




NOTES:
 1. SPLICES ARE THEORETICAL AND MAY DIFFER IN THE HARNESS.

WIRING DIAGRAM-IP, LEFT
 (WIRE ASM 145533-04 REV-S)

FIRST USED	07 R&S-SER	
TITLE	DO NOT SCALE DRAWING	
	WIRING DIAGRAM-AUTO	
SHEET 2	PART NO	156933
	REV	

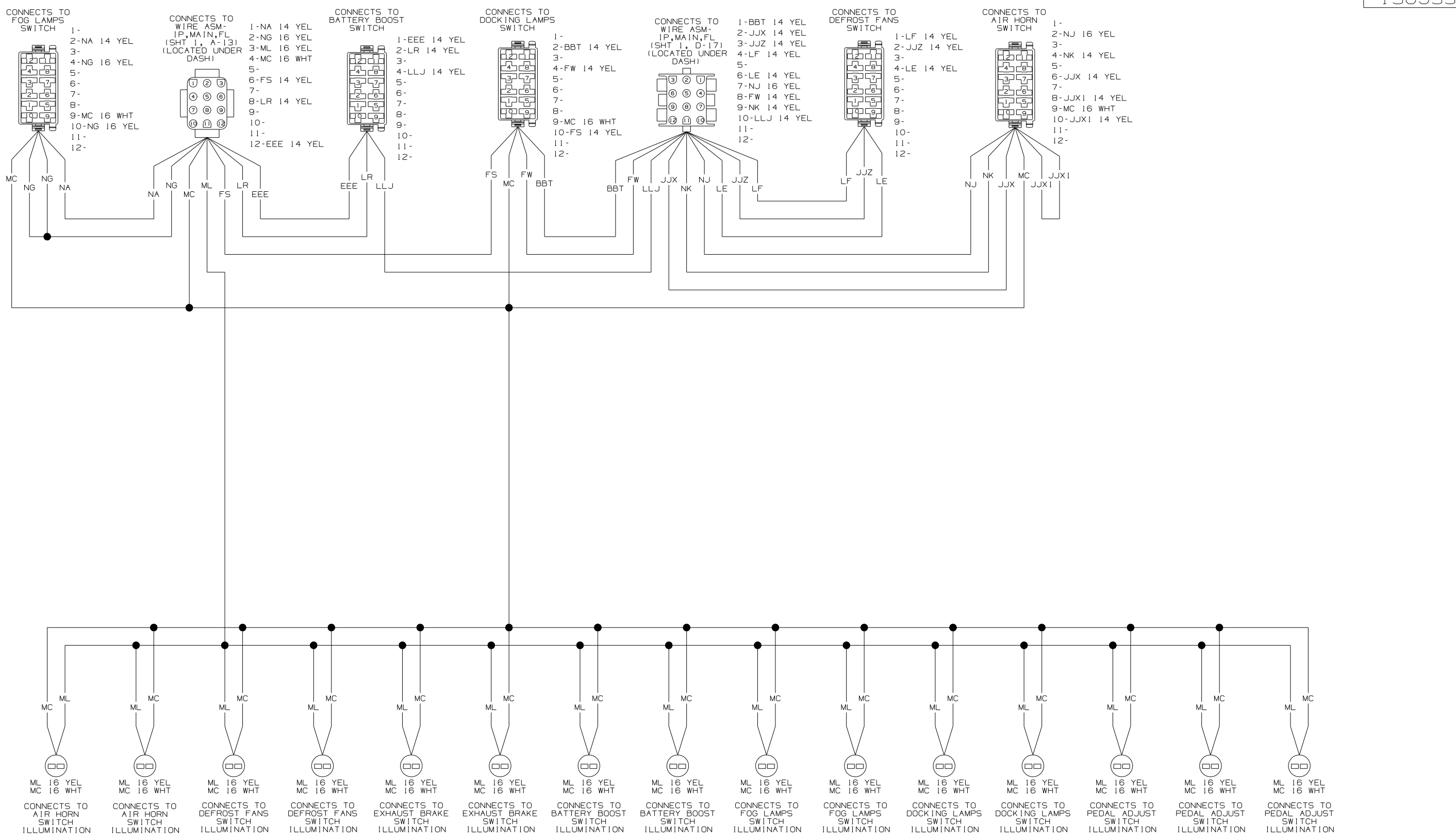


1. SPLICES ARE THEORETICAL AND MAY DIFFER IN THE HARNESS.

NOTES:

WIRING DIAGRAM-IP, LEFT (WIRE ASM 145533-06 REV-S)

FIRST USED	07 R&S-SER	
TITLE:	DO NOT SCALE DRAWING	
	WIRING DIAGRAM-AUTO	
SHEET 3	PART NO	156933
	REV	

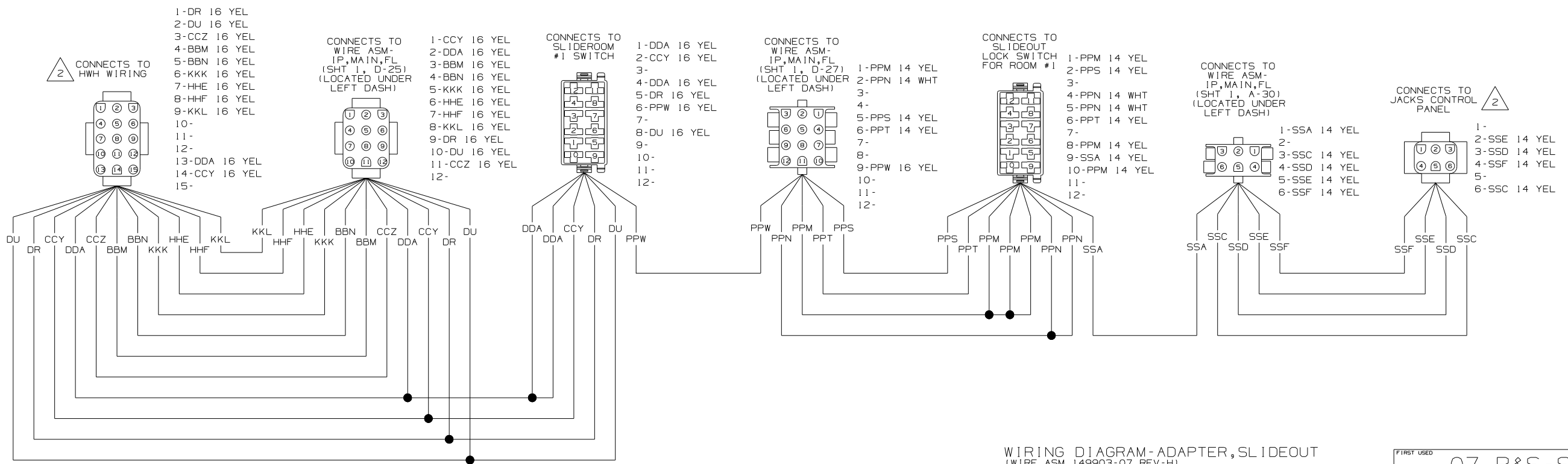
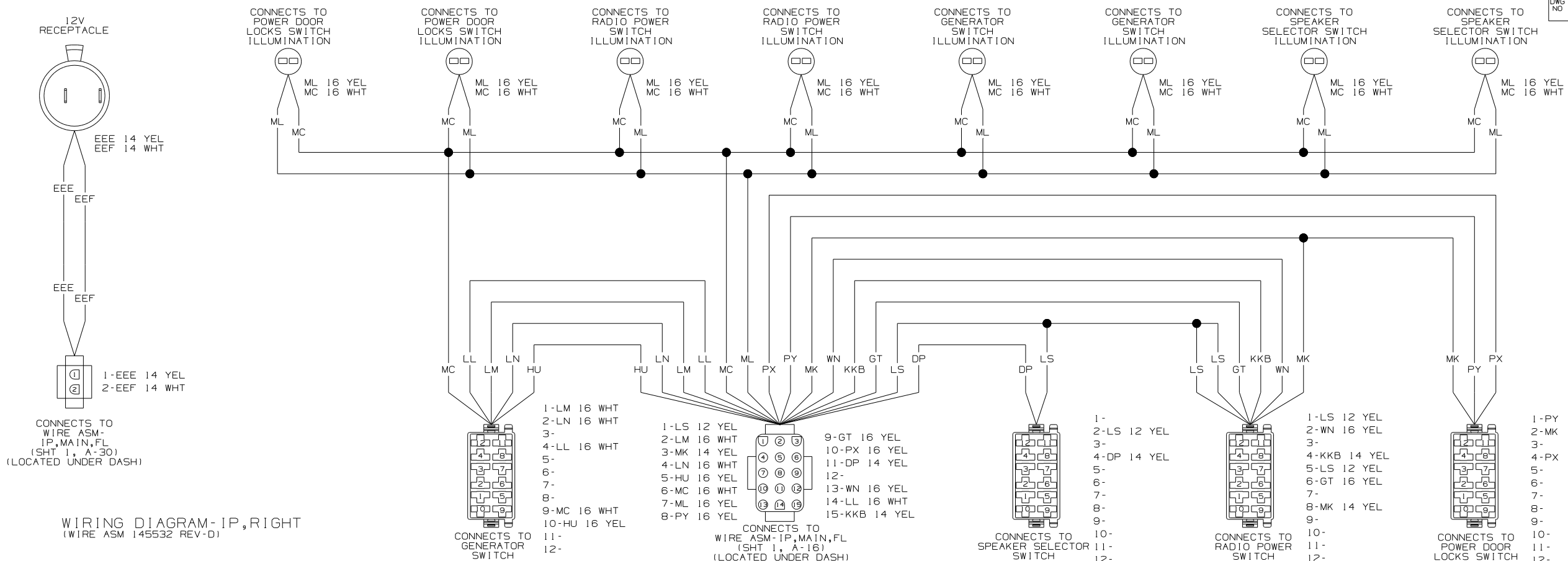


1. SPLICES ARE THEORETICAL AND MAY DIFFER IN THE HARNESS.

NOTES:

WIRING DIAGRAM-IP,LEFT (WIRE ASM 145533-07 REV-S)

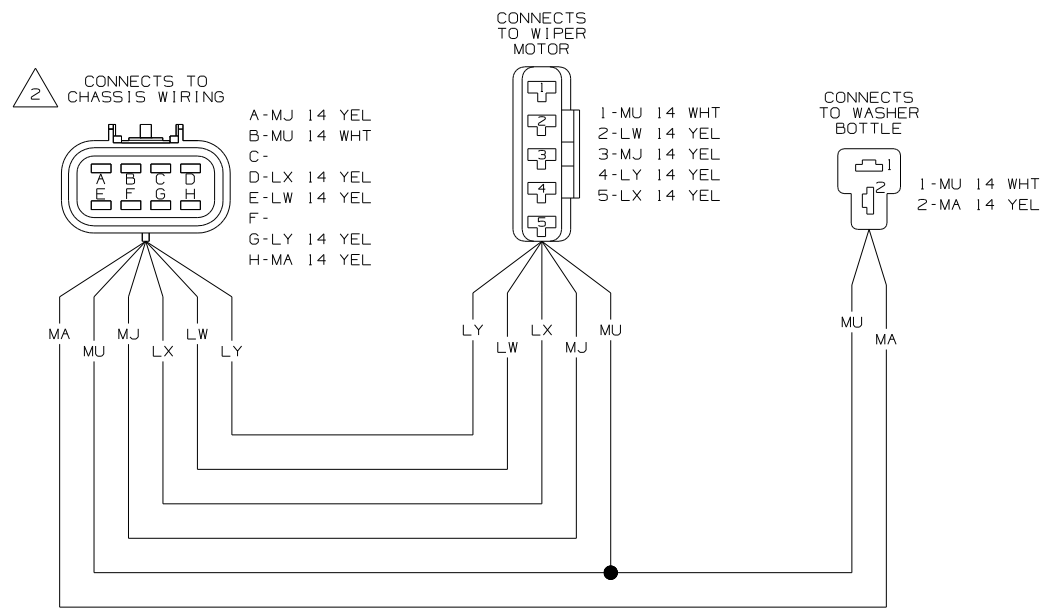
FIRST USED	07 R&S-SER	
TITLE	DO NOT SCALE DRAWING	
	WIRING DIAGRAM-AUTO	
SHEET 4	PART NO	156933
	REV	



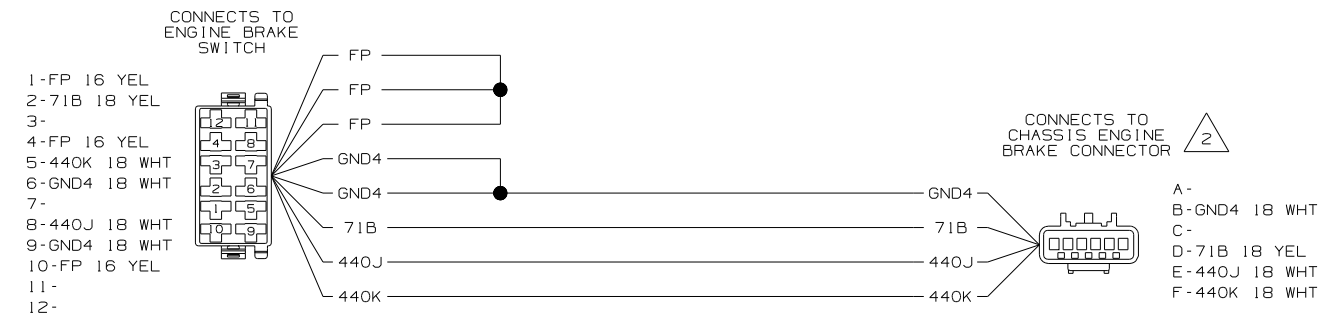
SEE MANUFACTURER'S DIAGRAM FOR ADDITIONAL INFORMATION.

1. SPLICES ARE THEORETICAL AND MAY DIFFER IN THE HARNESS.

FIRST USED	07 R&S-SER	
TITLE	DO NOT SCALE DRAWING	
	WIRING DIAGRAM-AUTO	
SHEET 5	PART NO	156933
	REV	



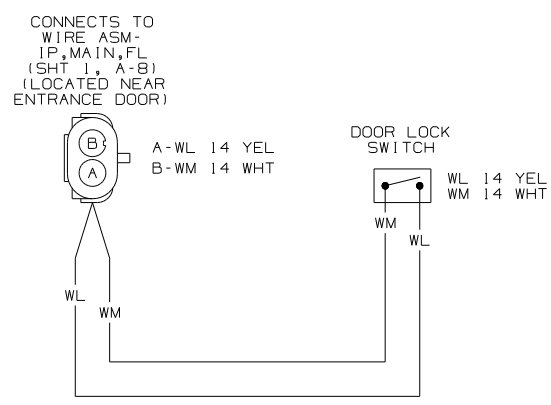
WIRING DIAGRAM-WIPER/WASHER
(WIRE ASM 149214-02 REV-G)



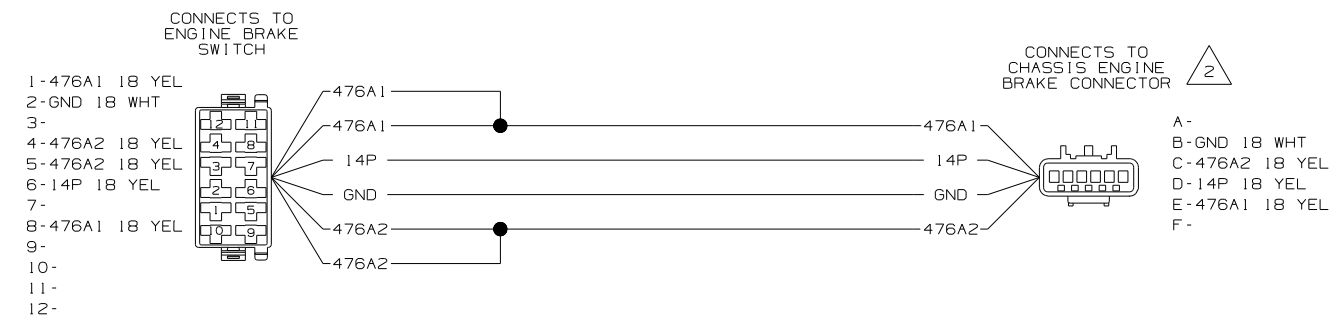
WIRING DIAGRAM-ENGINE BRAKE SWITCH
(WIRE ASM 157534-01 REV-E)



WIRING DIAGRAM-ENGINE BRAKE SWITCH
(WIRE ASM 157534-02 REV-E)



WIRING DIAGRAM-DOOR LOCK
(WIRE ASM 132267 REV-C)



WIRING DIAGRAM-ENGINE BRAKE SWITCH
(WIRE ASM 157534-03 REV-E)

SEE MANUFACTURERS DIAGRAM FOR ADDITIONAL INFORMATION.

1. SPLICES ARE THEORETICAL AND MAY DIFFER IN THE HARNESS.

NOTES:

FIRST USED	07 R&S-SER	
TITLE:	DO NOT SCALE DRAWING	
	WIRING DIAGRAM-AUTO	
SHEET 7	PART NO	156933