



DANGER

Danger of electrical shock, burns or death. Always remove all power sources before attempting any repair, service or diagnostic work. Power can be present from shore power, generator, inverter or battery. All power sources must be disabled and secured before performing any service.

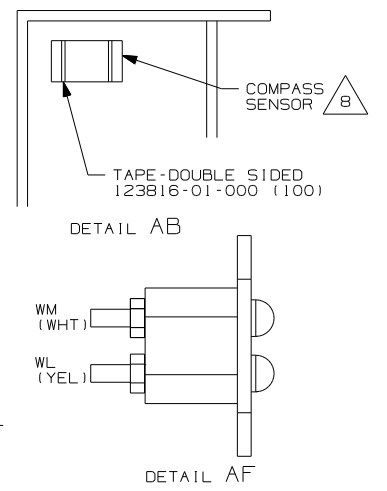
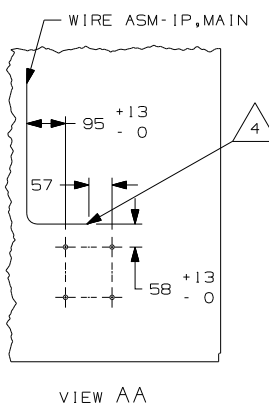
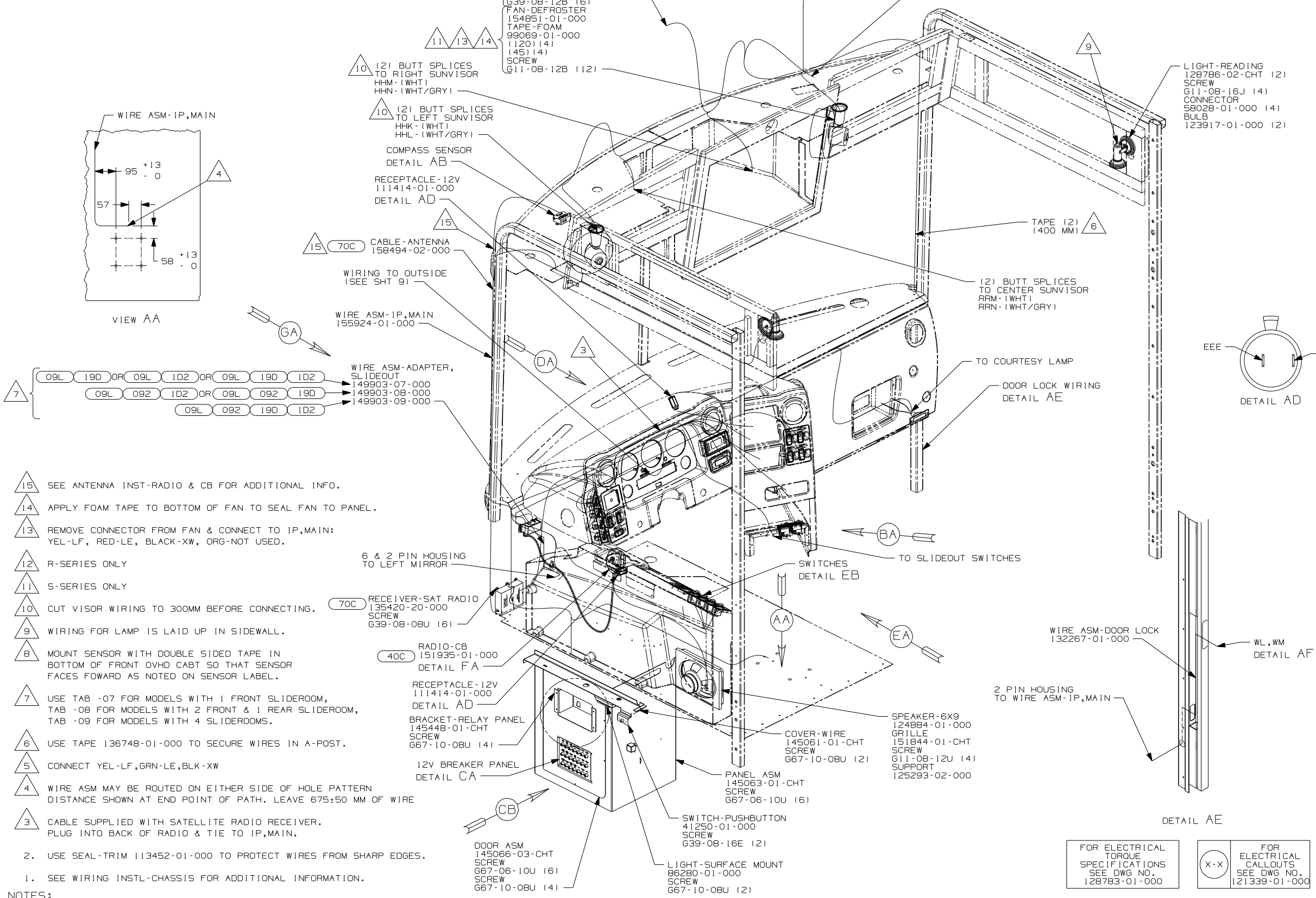


CAUTION

If you lack the skills, tools or equipment to perform diagnostic or repair work leave such work to an authorized Winnebago Industries dealer or other qualified shop.

DRAWING NO.	SERIES	FEATURE
156932-01	R-SERIES	----
156932-02	S-SERIES	(WIN)
156932-03	S-SERIES	(ITA)

RELEASE	REV/DATE	DWG NO
	A	156932
REV ZONE	REVISION RECORD	DATE
		DFTR-016



- NOTES:
- SEE WIRING INSTL-CHASSIS FOR ADDITIONAL INFORMATION.
 - USE SEAL-TRIM 113452-01-000 TO PROTECT WIRES FROM SHARP EDGES.
- 15 SEE ANTENNA INST-RADIO & CB FOR ADDITIONAL INFO.
 - 14 APPLY FOAM TAPE TO BOTTOM OF FAN TO SEAL FAN TO PANEL.
 - 13 REMOVE CONNECTOR FROM FAN & CONNECT TO IP,MAIN: YEL-LF, RED-LE, BLACK-XW, ORG-NOT USED.
 - 12 R-SERIES ONLY
 - 11 S-SERIES ONLY
 - 10 CUT VISOR WIRING TO 300MM BEFORE CONNECTING.
 - 9 WIRING FOR LAMP IS LAID UP IN SIDEWALL.
 - 8 MOUNT SENSOR WITH DOUBLE SIDED TAPE IN BOTTOM OF FRONT QVHD CABT SO THAT SENSOR FACES FOWARD AS NOTED ON SENSOR LABEL.
 - 7 USE TAB -07 FOR MODELS WITH 1 FRONT SLIDEROOM, TAB -08 FOR MODELS WITH 2 FRONT & 1 REAR SLIDEROOM, TAB -09 FOR MODELS WITH 4 SLIDEROOMS.
 - 6 USE TAPE 136748-01-000 TO SECURE WIRES IN A-POST.
 - 5 CONNECT YEL-LF,GRN-LE,BLK-XW
 - 4 WIRE ASM MAY BE ROUTED ON EITHER SIDE OF HOLE PATTERN DISTANCE SHOWN AT END POINT OF PATH. LEAVE 675±50 MM OF WIRE
 - 3 CABLE SUPPLIED WITH SATELLITE RADIO RECEIVER. PLUG INTO BACK OF RADIO & TIE TO IP,MAIN.

- 70C RADIO - SATELLITE
- 640 SEAT PED-6-WAY POWER DRIVER
- 64J SEAT PED-6-WAY DR/PASS POWER
- 40J CB RADIO PREP
- 40C RADIO - CB
- 20C SOUND SYS. DLX. W/O-SURROUND
- 19D SLIDEOUT ROOM REAR LETHAND
- 1D2 SLIDEOUT ROOM-REAR RIGHTHAND
- 092 SLIDEOUT ROOM - FRONT RIGHT
- 09L SLIDEOUT ROOM FRONT LEFT
- 265 CODES/STANDARDS-CSA/CMVSS
- 1B1 CODES/STANDARDS USA

WINNEBAGO COPYRIGHT 2006 WINNEBAGO INDUSTRIES, INC.

DFTR	ORIG. DATE
CHKR	ALL DIMENSIONS ARE IN MILLIMETERS
P.E.	FIRST USED
M.E.	07 R&S-SER
DSNR	

UNSPECIFIED TOLERANCES ARE: MATERIAL:

WHOLE DIM (X)	: 3
ONE-PLACE (X.X)	: 1.5
TWO-PLACE (X.XX)	: 0.50
ANGLE	: 1°

THIRD ANGLE PROJECTION

DO NOT SCALE DRAWING

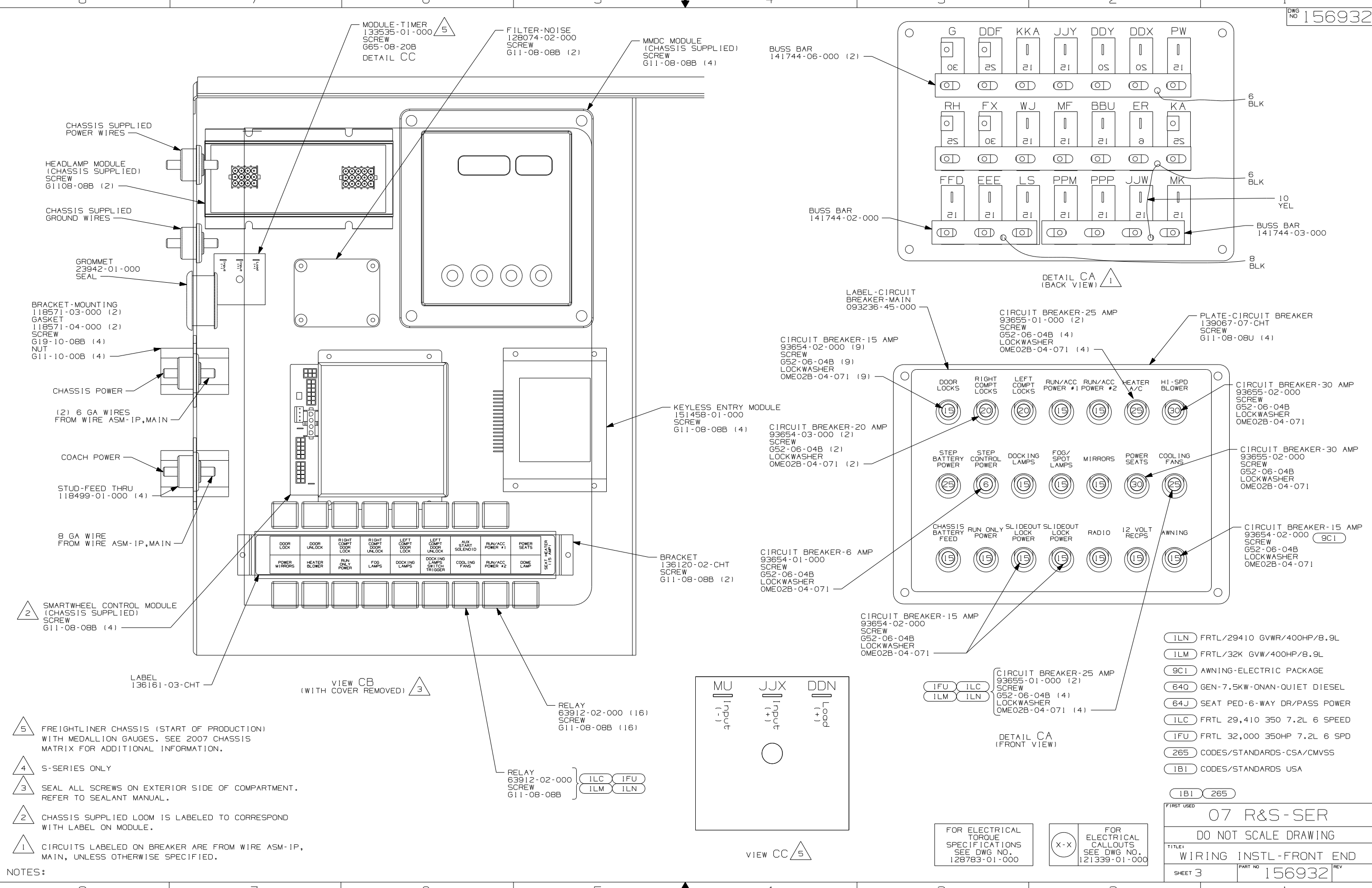
TITLE: WIRING INSTL-FRONT END

SHEET 1 OF 7 PART NO. 156932 REV

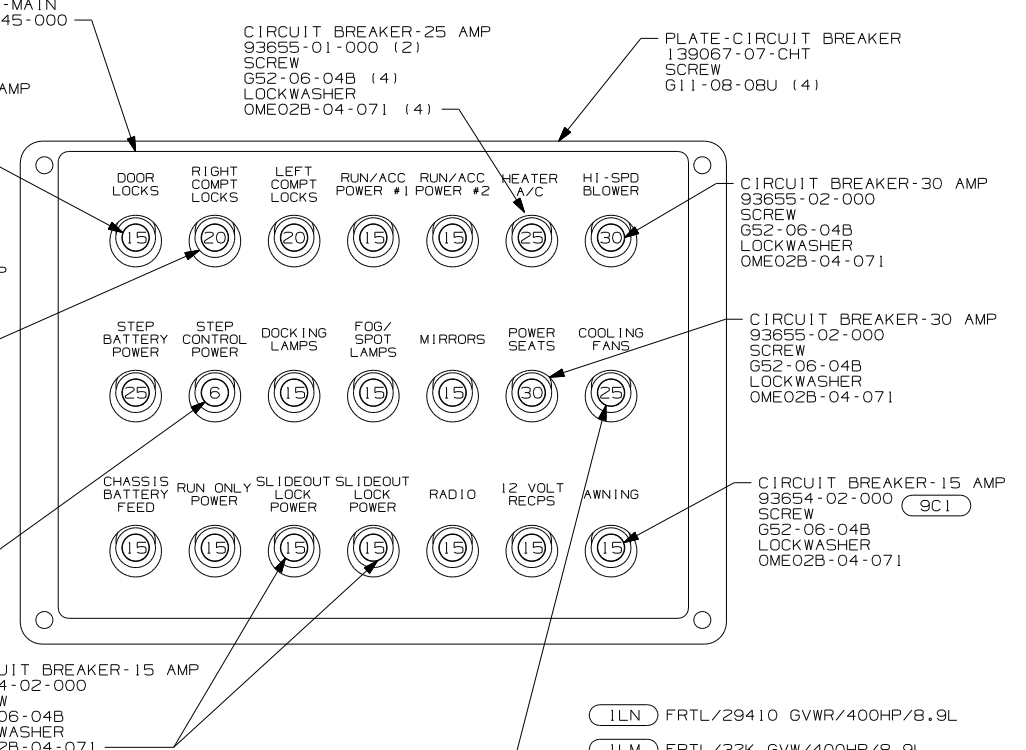
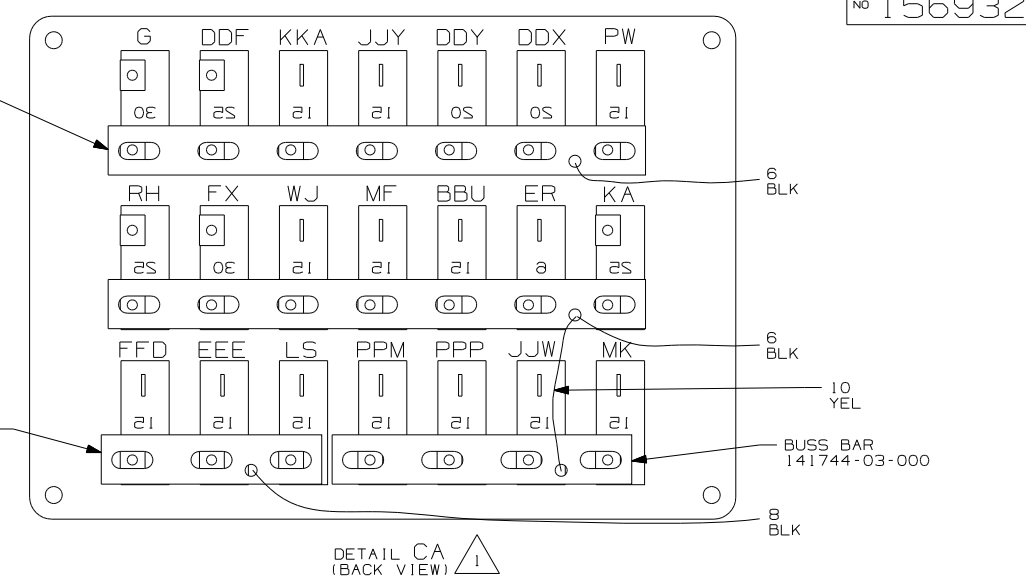
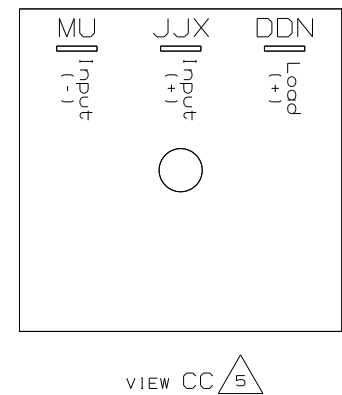
REF: 1 1/16/2007

FOR ELECTRICAL TORQUE SPECIFICATIONS SEE DWG NO. 128783-01-000

(X-X) FOR ELECTRICAL CALLOUTS SEE DWG NO. 121339-01-000



- NOTES:**
- 5 FREIGHTLINER CHASSIS (START OF PRODUCTION) WITH MEDALLION GAUGES. SEE 2007 CHASSIS MATRIX FOR ADDITIONAL INFORMATION.
 - 4 S-SERIES ONLY
 - 3 SEAL ALL SCREWS ON EXTERIOR SIDE OF COMPARTMENT. REFER TO SEALANT MANUAL.
 - 2 CHASSIS SUPPLIED LOOM IS LABELED TO CORRESPOND WITH LABEL ON MODULE.
 - 1 CIRCUITS LABELED ON BREAKER ARE FROM WIRE ASM-IP, MAIN, UNLESS OTHERWISE SPECIFIED.

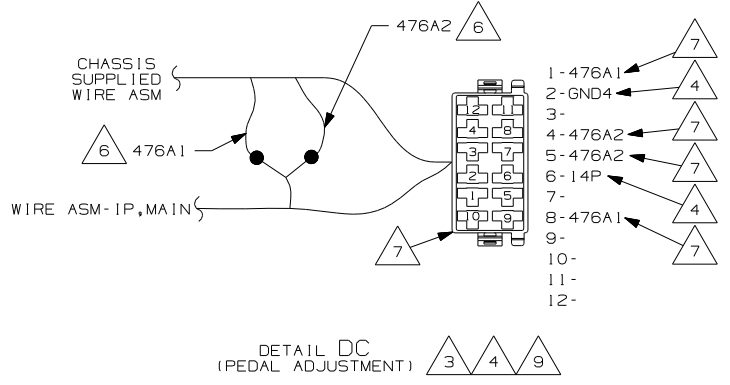
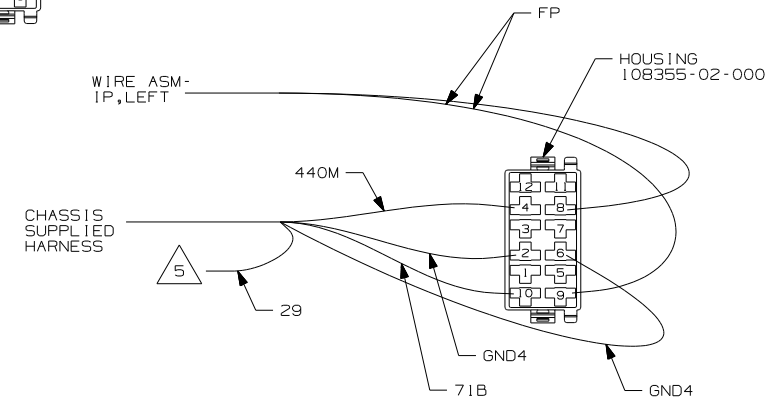
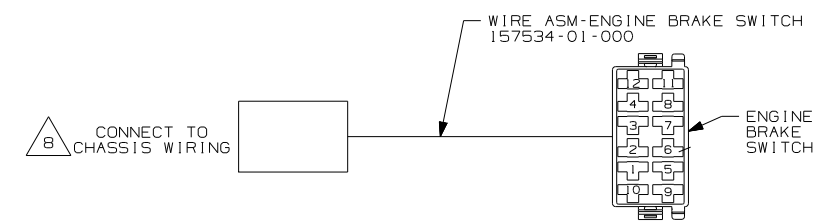
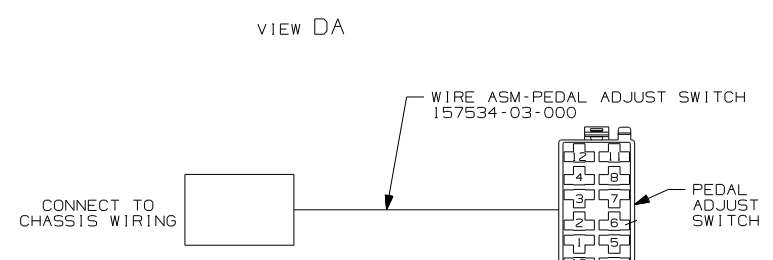
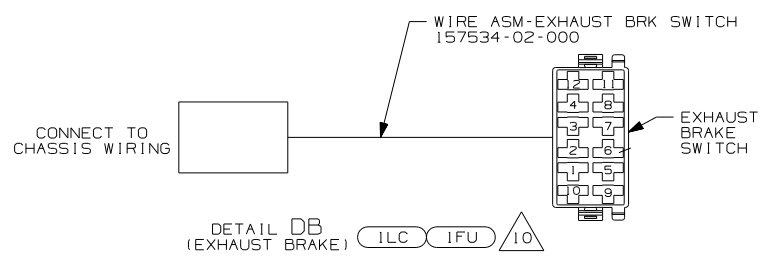
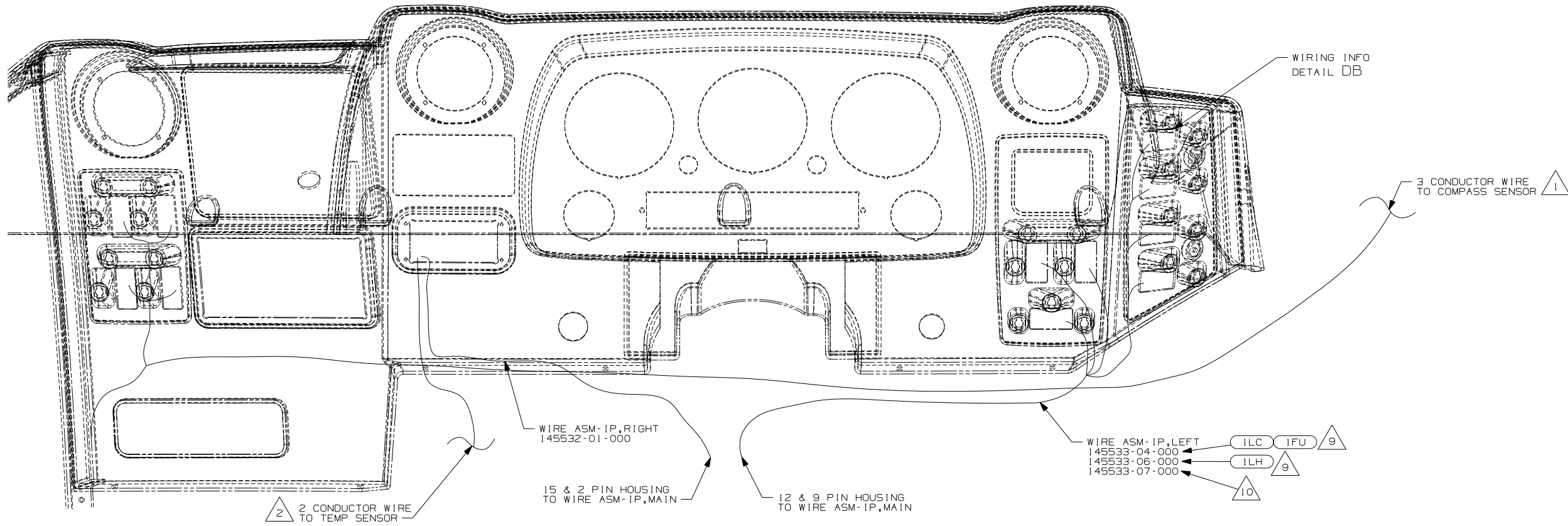


- ILN FRTL/29410 GVWR/400HP/8.9L
- ILM FRTL/32K GVW/400HP/8.9L
- 9C1 AWNING-ELECTRIC PACKAGE
- 640 GEN-7.5KW-ONAN-QUIET DIESEL
- 64J SEAT PED-6-WAY DR/PASS POWER
- ILC FRTL 29,410 350 7.2L 6 SPEED
- IFU FRTL 32,000 350HP 7.2L 6 SPD
- 265 CODES/STANDARDS-CSA/CMVSS
- 1B1 CODES/STANDARDS USA

FOR ELECTRICAL TORQUE SPECIFICATIONS SEE DWG NO. 128783-01-000

X-X FOR ELECTRICAL CALLOUTS SEE DWG NO. 121339-01-000

FIRST USED	07 R&S-SER
TITLE	DO NOT SCALE DRAWING
WIRING INSTL-FRONT END	
SHEET 3	PART NO 156932 REV



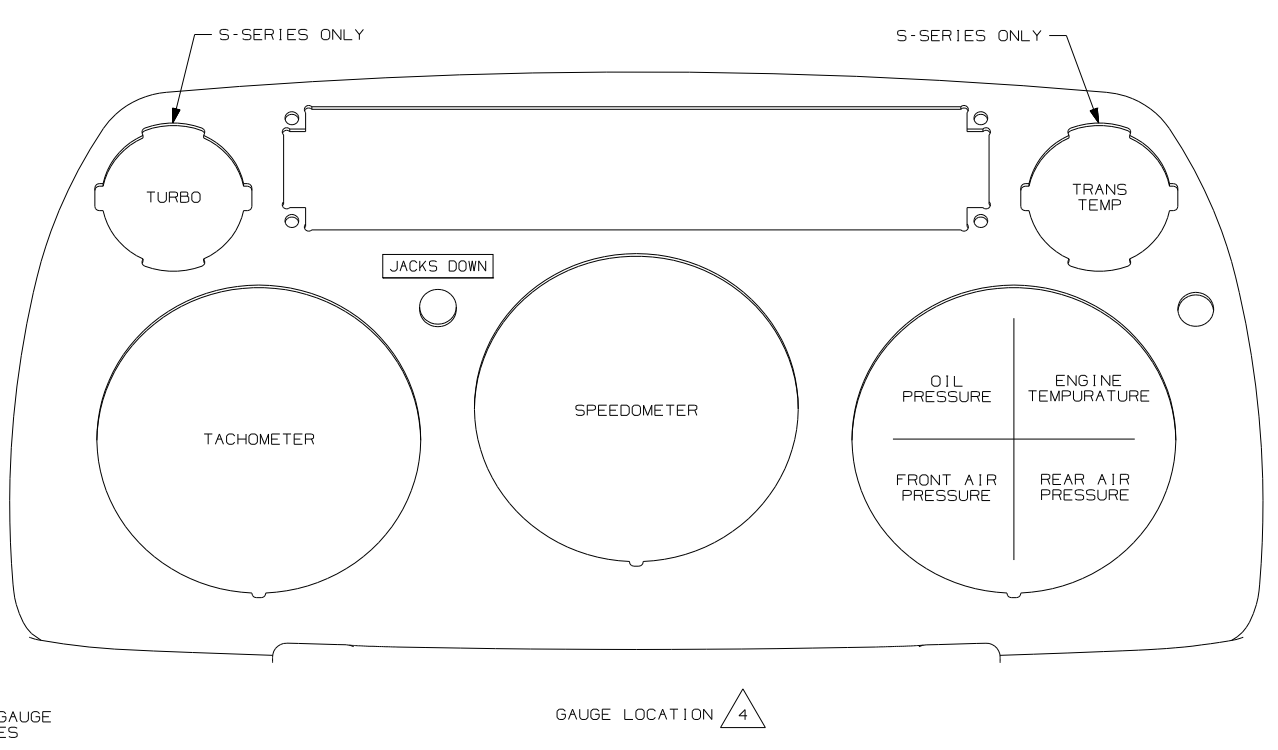
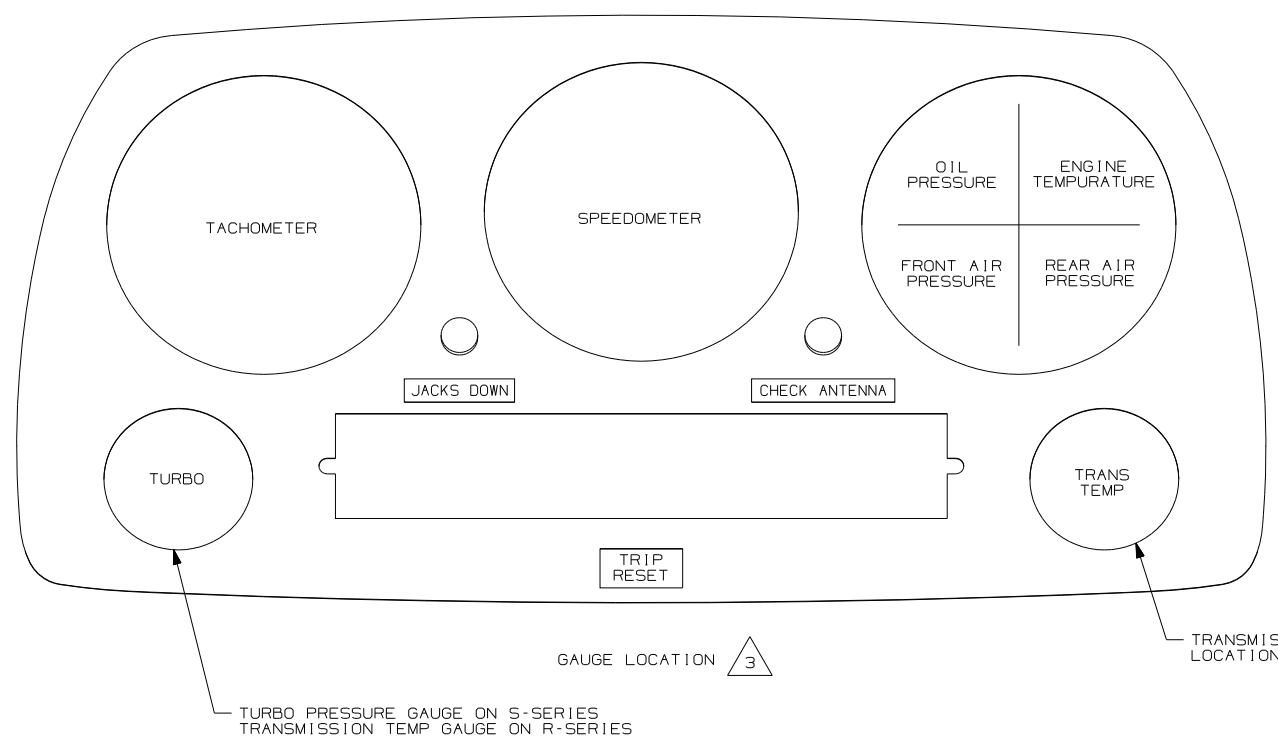
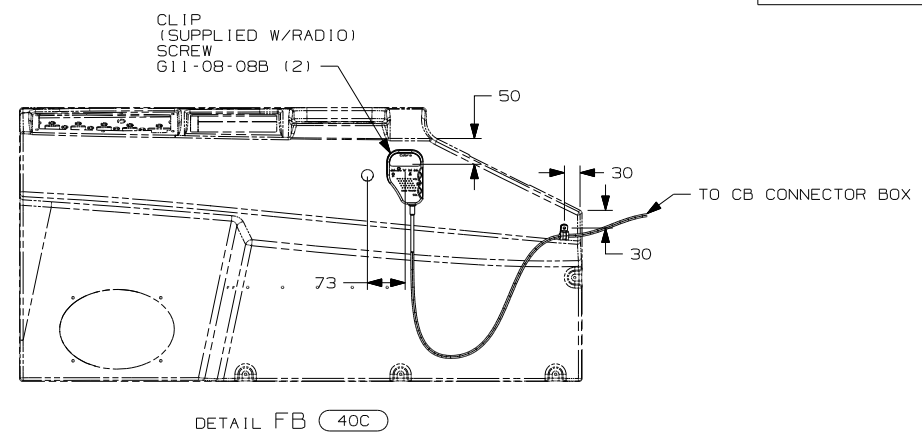
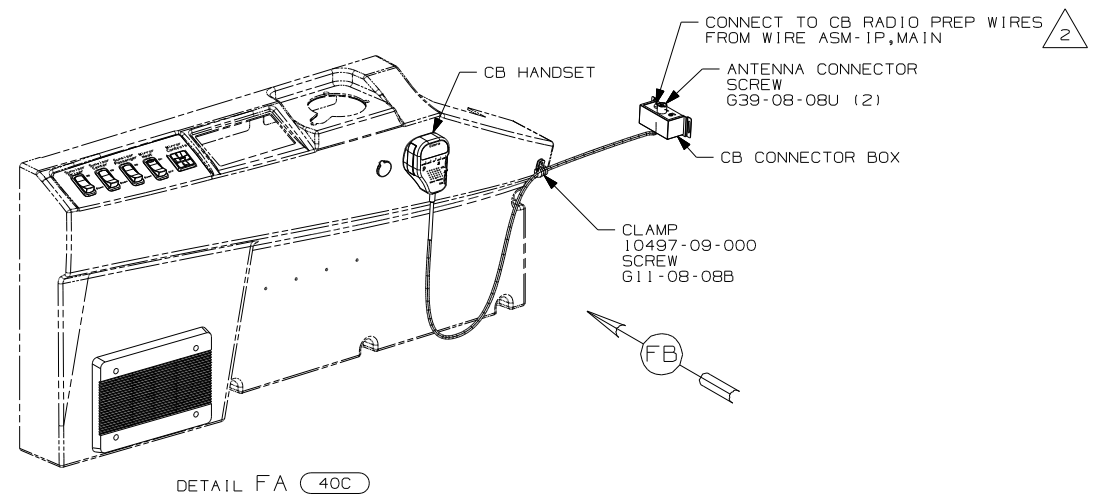
- 10 FREIGHTLINER CHASSIS (JOB 2) WITH POLLACK GAUGES. SEE 2007 CHASSIS MATRIX FOR ADDITIONAL INFORMATION.
- 9 FREIGHTLINER CHASSIS (START OF PRODUCTION) WITH MEDALLION GAUGES. SEE 2007 CHASSIS MATRIX FOR ADDITIONAL INFORMATION.
- 8 CHASSIS WIRING HAS MATING CONNECTOR AND IS LABELED "ENGINE BRAKE SWITCH"
- 7 HOUSING AND CIRCUITS 476A1 & 476A2 ARE PART OF WIRE ASM-IP, MAIN.
- 6 CUT TERMINAL FROM CHASSIS WIRE AND BUTT CONNECT TO WIRE ASM-IP, MAIN AS SHOWN.
- 5 CIRCUITS NOT USED. CUT OFF TERMINALS, WRAP WIRE WITH TAPE, AND SECURE BACK INTO LOOM.
- 4 REMOVE TERMINALS FROM HOUSING ON CHASSIS SUPPLIED WIRE ASM. THEN REHOUSE TERMINALS IN HOUSING AS SHOWN.
- 3 S-SERIES ONLY
- 2 ROUTE OUT FRONT END W/WIRE ASM-IP, MAIN.
- 1 ROUTE UP LEFT A-PILLAR.

- ILN FRTL/29410 GVWR/400HP/8.9L
- ILM FRTL/32K GVW/400HP/8.9L
- IFU FRTL 32,000 350HP 7.2L 6 SPD
- ILH FRTL 34,320 400 6SP IFS
- ILC FRTL 29,410 350 7.2L 6 SPEED
- 265 CODES/STANDARDS-CSA/CMVSS
- 1B1 CODES/STANDARDS USA

FOR ELECTRICAL TORQUE SPECIFICATIONS SEE DWG NO. 128783-01-000

X-X FOR ELECTRICAL CALLOUTS SEE DWG NO. 121339-01-000

FIRST USED	
07 R&S-SER	
DO NOT SCALE DRAWING	
TITLE: WIRING INSTL-FRONT END	
SHEET 4	PART NO 156932 REV



- 4 FREIGHTLINER CHASSIS (JOB 2) WITH POLLACK GAUGES. SEE 2007 CHASSIS MATRIX FOR ADDITIONAL INFORMATION.
- 3 FREIGHTLINER CHASSIS (START OF PRODUCTION) WITH MEDALLION GAUGES. SEE 2007 CHASSIS MATRIX FOR ADDITIONAL INFORMATION.
- 2 CONNECT RED FROM CONNECTOR BOX TO YELLOW IN IP,MAIN AND BLK/RED TO WHITE.

1. ALL STANDARD GAUGES, RETAINER CLIPS AND FASTENERS ARE CHASSIS SUPPLIED.

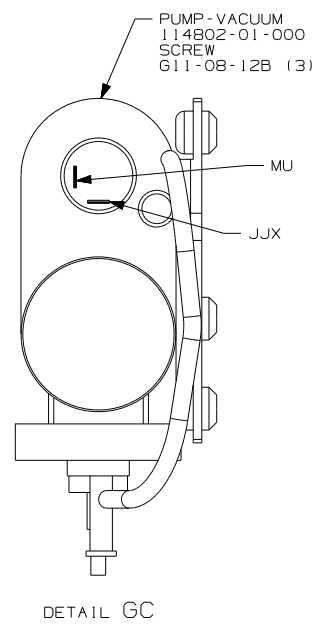
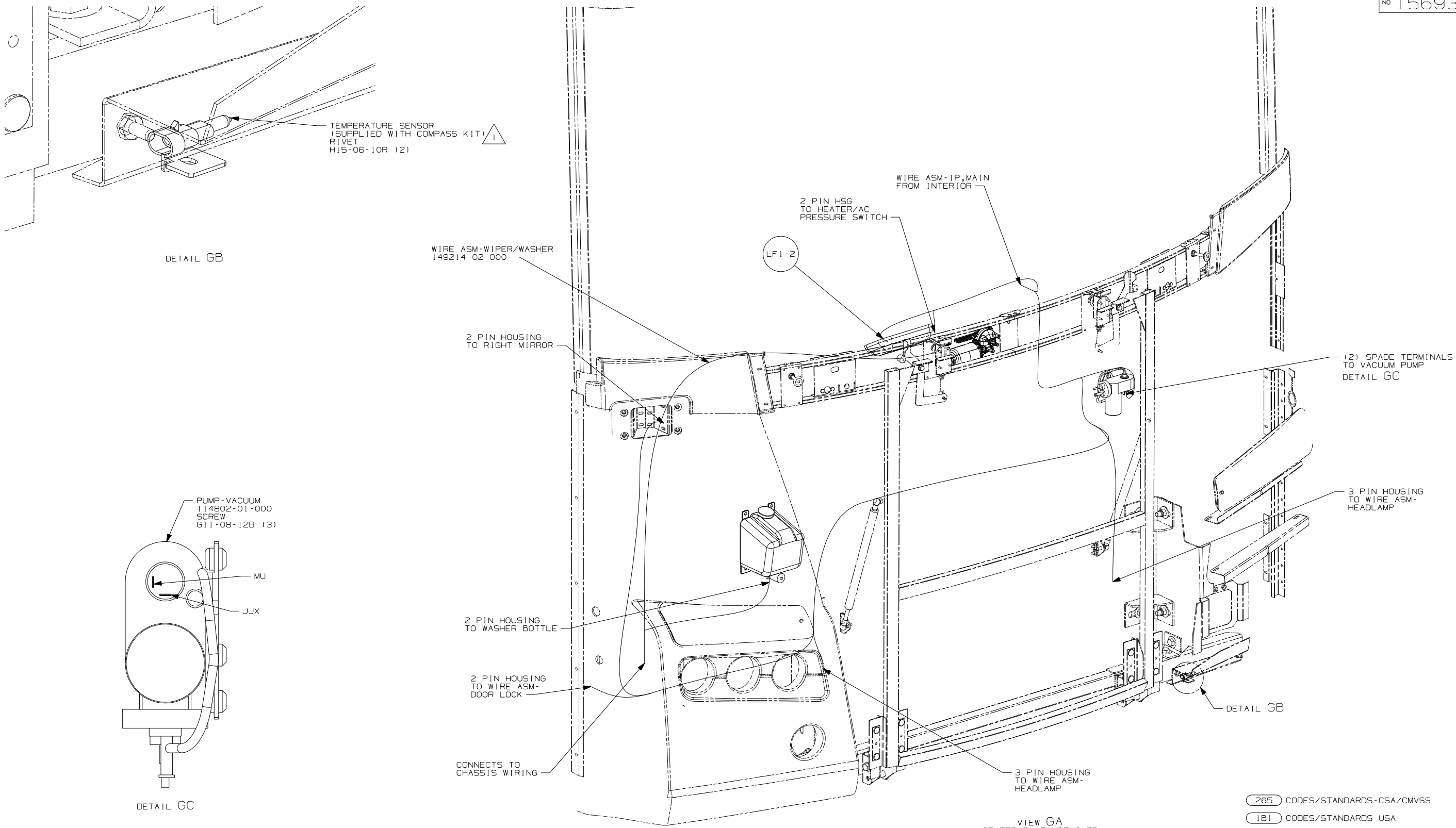
NOTES:

- 40C RADIO - CB
- 265 CODES/STANDARDS-CSA/CMVSS
- 1B1 CODES/STANDARDS USA

FIRST USED	
07 R&S-SER	
DO NOT SCALE DRAWING	
TITLE: WIRING INSTL-FRONT END	
SHEET 6	PART NO 156932

FOR ELECTRICAL TORQUE SPECIFICATIONS SEE DWG NO. 128783-01-000

FOR ELECTRICAL CALLOUTS SEE DWG NO. 121339-01-000



VIEW GA (CENTER PANEL REMOVED)

265 CODES/STANDARDS-CSA/CMVSS
 1B1 CODES/STANDARDS USA

1B1 265

FIRST USED	07 R&S-SER
TITLE	DO NOT SCALE DRAWING
TITLE	WIRING INSTL-FRONT END
SHEET 7	PART NO 156932 REV

NOTES:
 1 DRILL 5MM HOLE IN LOWER LIP OF FIBERGLASS IN AREA SHOWN.

FOR ELECTRICAL TORQUE SPECIFICATIONS SEE DWG NO. 128783-01-000

(X-X) FOR ELECTRICAL CALLOUTS SEE DWG NO. 121339-01-000