



DANGER

Danger of electrical shock, burns or death. Always remove all power sources before attempting any repair, service or diagnostic work. Power can be present from shore power, generator, inverter or battery. All power sources must be disabled and secured before performing any service.

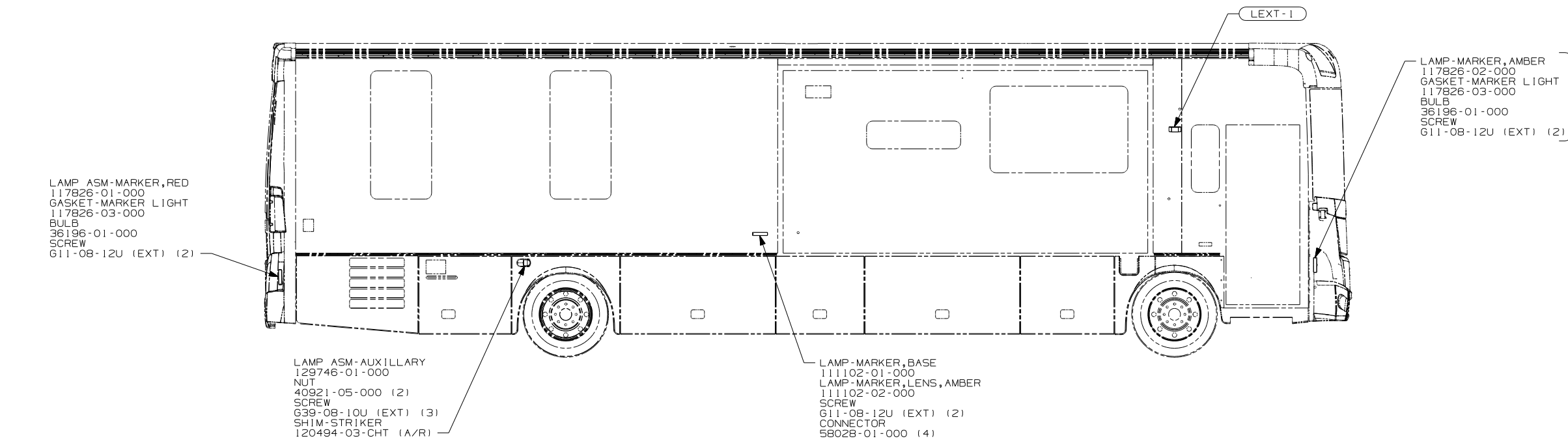
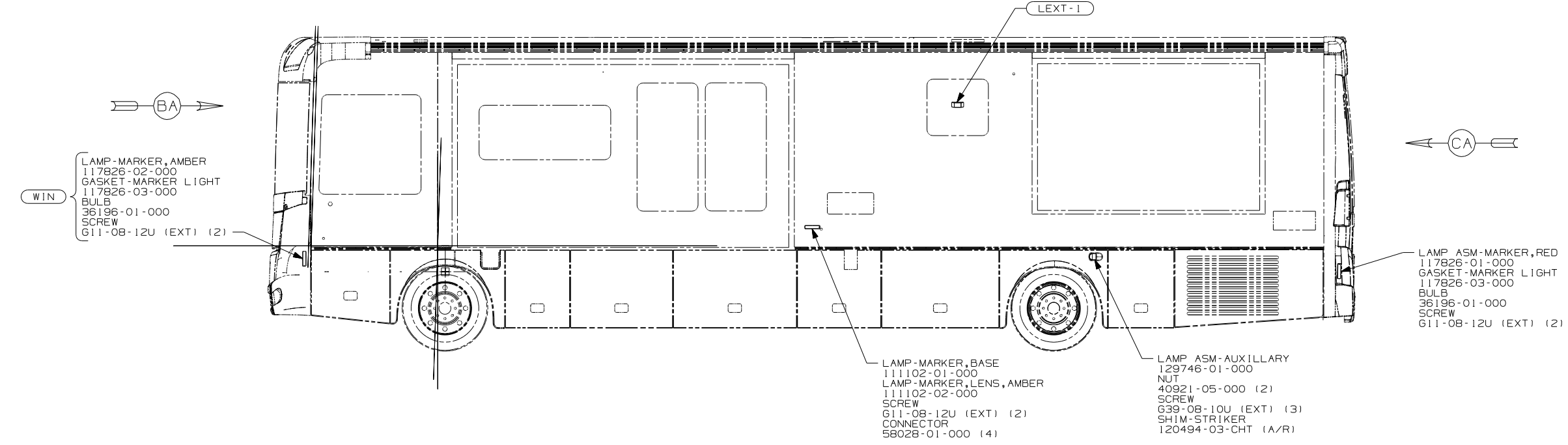


CAUTION

If you lack the skills, tools or equipment to perform diagnostic or repair work leave such work to an authorized Winnebago Industries dealer or other qualified shop.

DRAWING NO.	FEATURE
156378-01	(WIN)
156378-02	(ITA)

RELEASE	REV DATE	DWG NO
A		156378
REV ZONE	REVISION RECORD	DATE DFR-ORIG



- (ITA) ITASCA ONLY
 - (WIN) WINNEBAGO ONLY
 - (265) CODES/STANDARDS-CSA/CMVSS
 - (1B1) CODES/STANDARDS USA
- (1B1) (265)

WINNEBAGO COPYRIGHT 2006 WINNEBAGO INDUSTRIES, INC.

DFTR	ORIG. DATE
CHKR	ALL DIMENSIONS ARE IN MILLIMETERS
P.E.	
M.E.	FIRST USED
DSNR	07 S-SERIES

UNSPECIFIED TOLERANCES ARE:	MATERIAL:
HOLE DIM (X) :	
ONE-PLACE (X.X) :	
TWO-PLACE (X.XX) :	
ANGLE :	

THIRD ANGLE PROJECTION

DO NOT SCALE DRAWING

TITLE: WIRING INSTL-EXTERIOR LAMPS

SHEET 1 OF 3 PART NO 156378 REV

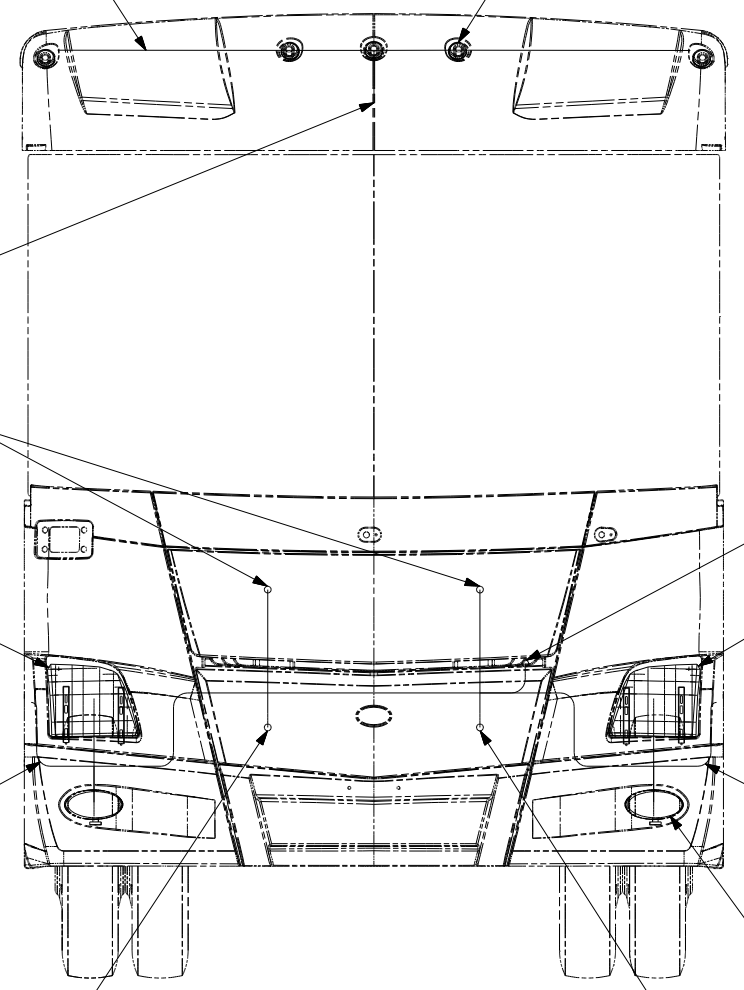
REF: 1 2/15/2007

FOR ELECTRICAL TORQUE SPECIFICATIONS SEE DWG NO. 128783-01-000

(X-X) FOR ELECTRICAL CALLOUTS SEE DWG NO. 121339-01-000

WIRE ASM-CLEARANCE LAMPS
126486-04-000

LAMP ASM-CLEARANCE, AMBER
138996-01-000 (5)
BRACKET-LAMP CLEARANCE
138996-03-000 (5)
SCREW
639-08-16T (10)

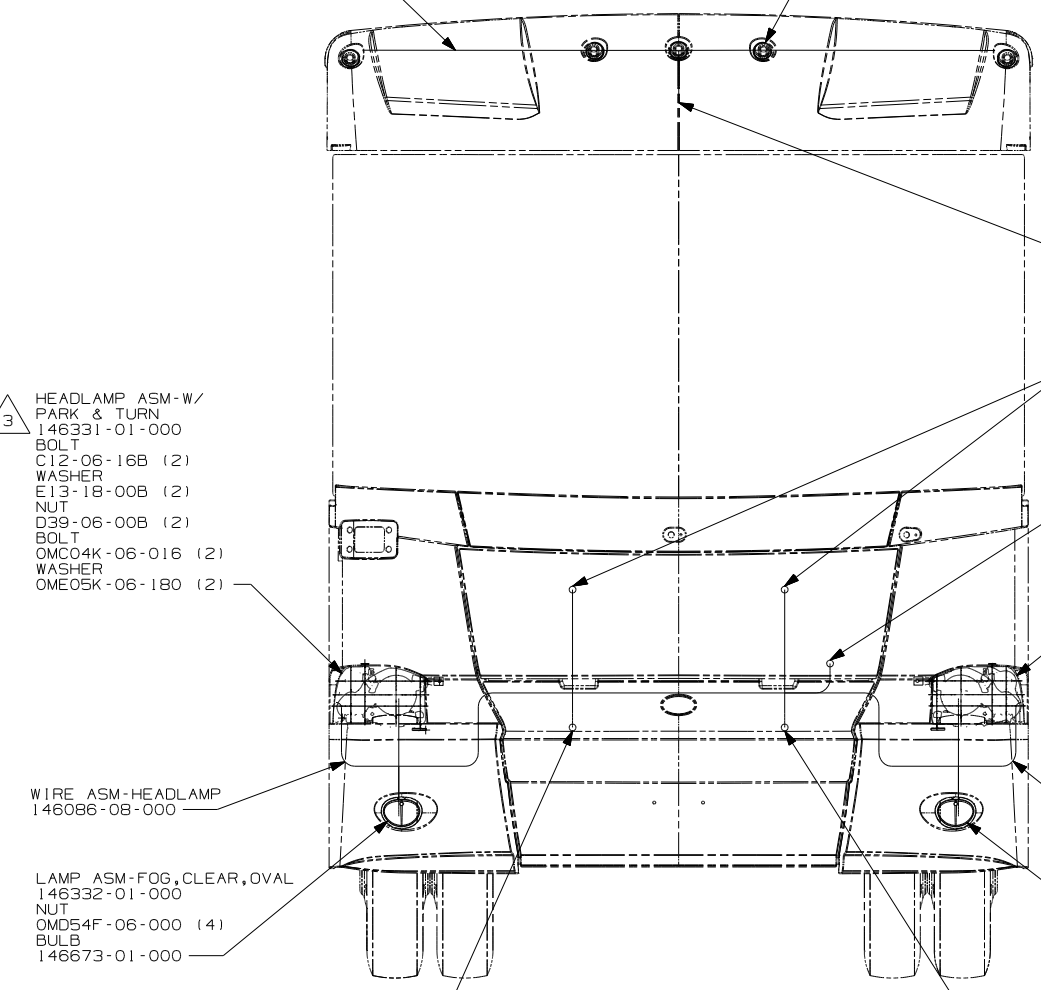


VIEW BA (WIN)

WIRE ASM-CLEARANCE LAMPS
126486-04-000

LAMP ASM-CLEARANCE, AMBER
138996-01-000 (5)
BRACKET-LAMP CLEARANCE
138996-03-000 (5)
SCREW
639-08-16T (10)

3 HEADLAMP ASM-W/
PARK & TURN
146331-01-000
BOLT
C12-06-16B (2)
WASHER
E13-18-00B (2)
NUT
D39-06-00B (2)
BOLT
OMC04K-06-016 (2)
WASHER
OME05K-06-180 (2)



VIEW BA (ITA)

2 HEADLAMP ASM-W
PARK & TURN RH
146088-01-000
RETAINER
144385-01-CHT (2)

2 HEADLAMP ASM-W
PARK & TURN LH
146088-02-000
RETAINER
144385-01-CHT (2)

3 HEADLAMP ASM-W/
PARK & TURN
146331-02-000
BOLT
C12-06-16B (2)
WASHER
E13-18-00B (2)
NUT
D39-06-00B (2)
BOLT
OMC04K-06-016 (2)
WASHER
OME05K-06-180 (2)

- 3 CUT PLUG OFF HEADLAMP ASSEMBLY, CONNECT AND HEATSHRINK AS FOLLOWS:
DDL OR DDM TO BLACK, MM TO GREEN, RA OR RB TO RED.
- 2 CUT PLUG OFF HEADLIGHT ASSEMBLY, CONNECT AND HEAT SHRINK AS FOLLOWS:
DDM OR DDL TO BLACK, MM TO BROWN, WHITE/BLUE TO RA OR RB,
GREEN/BLACK TO NB, GREEN/ORANGE TO NA.
- 1 USE ALLEN HEAD SCREW PROVIDED WITH FOG LAMP. TORQUE TO 14 FT/LBS.

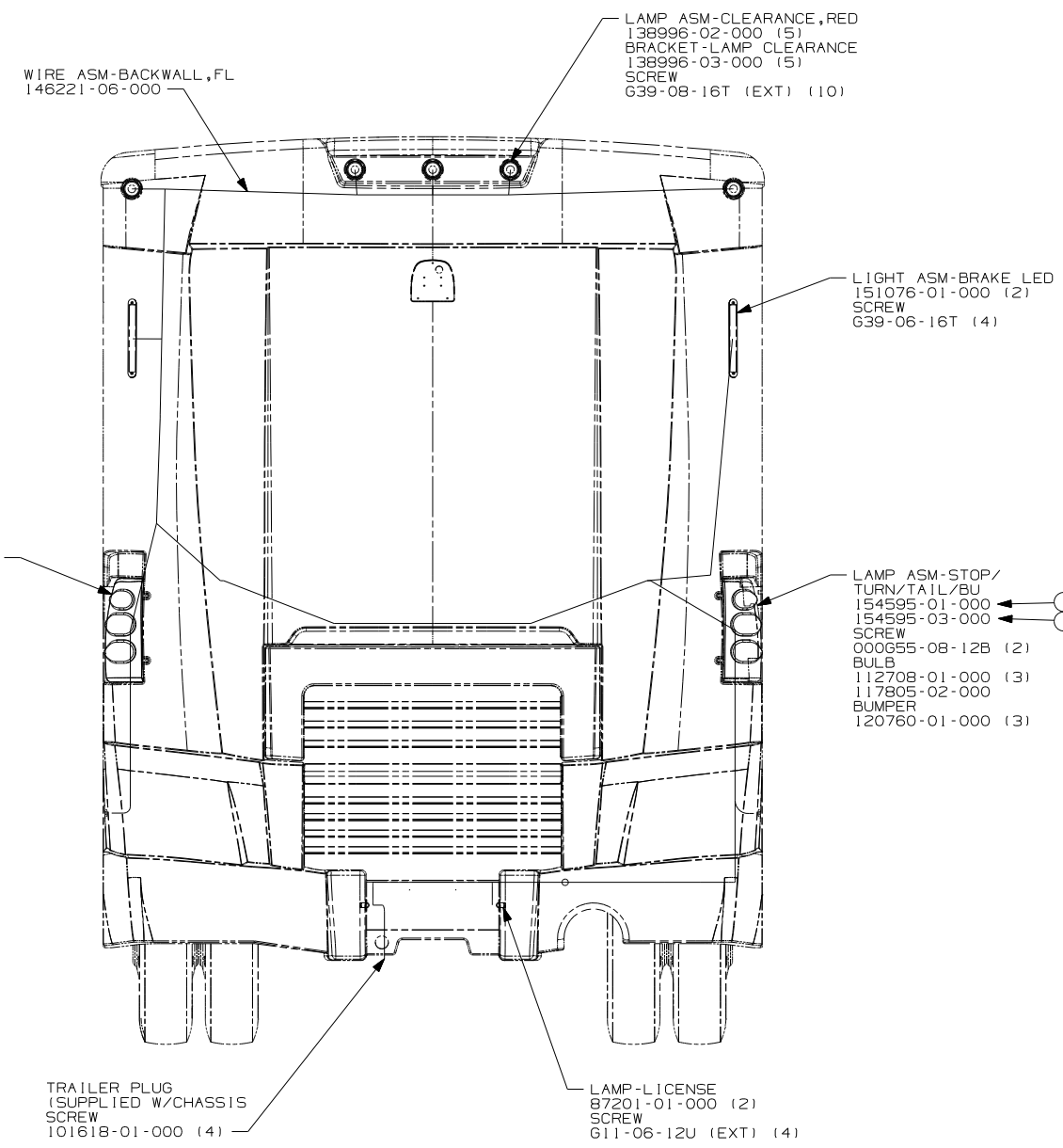
NOTES:

FOR ELECTRICAL
TORQUE
SPECIFICATIONS
SEE DWG NO.
128783-01-000

X-X
FOR
ELECTRICAL
CALLOUTS
SEE DWG NO.
121339-01-000

- (ITA) ITASCA ONLY
- (WIN) WINNEBAGO ONLY
- (265) CODES/STANDARDS-CSA/CMVSS
- (1B1) CODES/STANDARDS USA

FIRST USED	07 S-SERIES
TITLE	DO NOT SCALE DRAWING
TITLE	WIRING INSTL-EXTERIOR LAMPS
SHEET 2	PART NO 156378 REV



LAMP ASM-STOP/
 TURN/TAIL/BU
 154595-02-000
 154595-04-000
 SCREW
 000655-08-12B (2)
 BULB
 112708-01-000 (3)
 117805-02-000
 BUMPER
 120760-01-000 (3)

LAMP ASM-STOP/
 TURN/TAIL/BU
 154595-01-000
 154595-03-000
 SCREW
 000655-08-12B (2)
 BULB
 112708-01-000 (3)
 117805-02-000
 BUMPER
 120760-01-000 (3)

VIEW CA

- (240) TRAILER HITCH
- (ITA) ITASCA ONLY
- (WIN) WINNEBAGO ONLY
- (265) CODES/STANDARDS-CSA/CMVSS
- (1B1) CODES/STANDARDS USA

(1B1) (265)

1. CONNECTOR-PLUG, TRAILER 146246-01-000 TO BE SUPPLIED LOOSE IN OWNERS PACKET WITH (240)

NOTES:

FOR ELECTRICAL TORQUE SPECIFICATIONS SEE DWG NO. 128783-01-000

(X-X) FOR ELECTRICAL CALLOUTS SEE DWG NO. 121339-01-000

FIRST USED	
07 S-SERIES	
DO NOT SCALE DRAWING	
TITLE:	
WIRING INSTL-EXTERIOR LAMPS	
SHEET 3	PART NO 156378 REV