



DANGER

Danger of electrical shock, burns or death. Always remove all power sources before attempting any repair, service or diagnostic work. Power can be present from shore power, generator, inverter or battery. All power sources must be disabled and secured before performing any service.

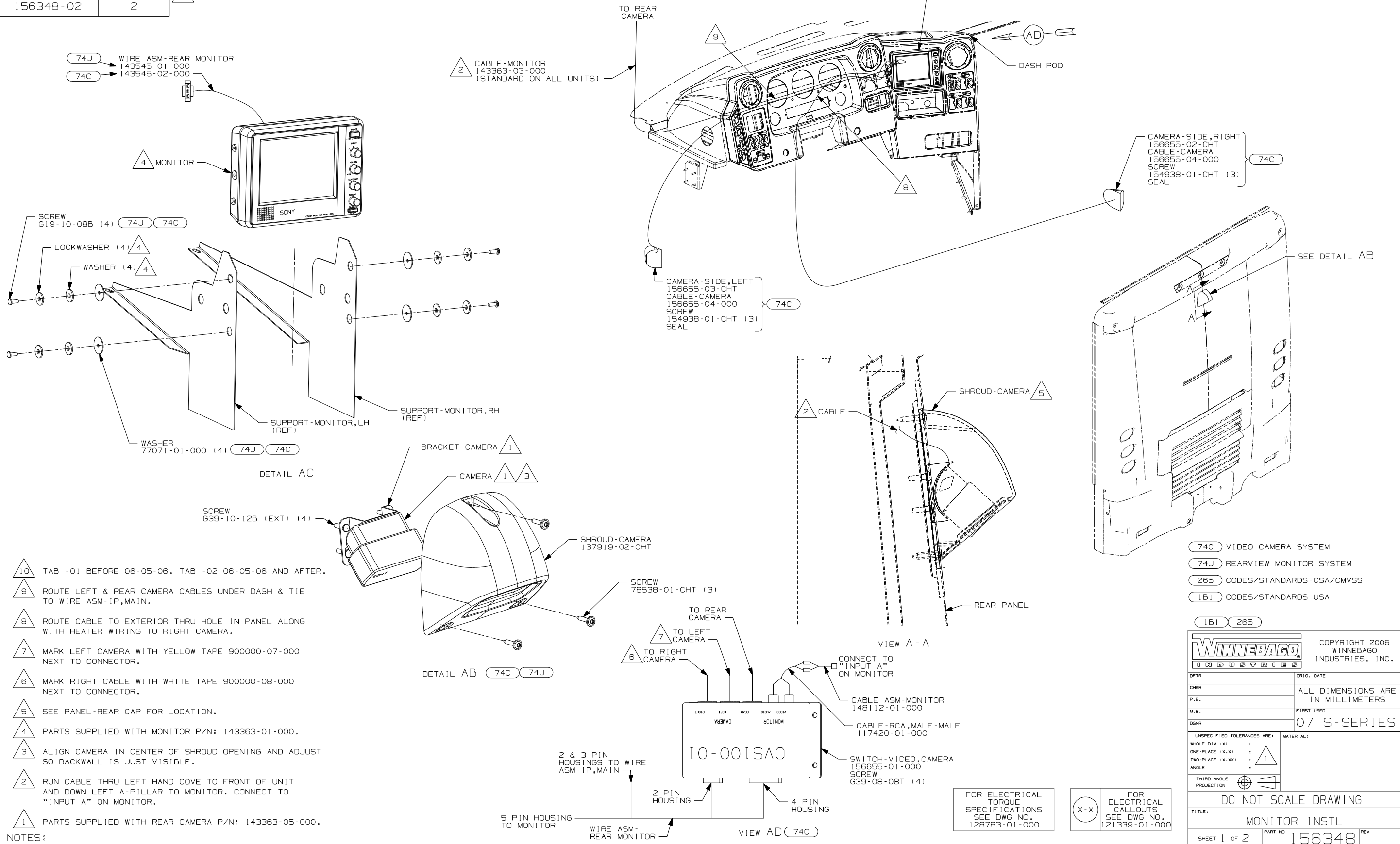


CAUTION

If you lack the skills, tools or equipment to perform diagnostic or repair work leave such work to an authorized Winnebago Industries dealer or other qualified shop.

DRAWING NO.	SHEET
156348-01	1
156348-02	2

RELEASE	REV/DATE	DWG NO
	A	156348
REV ZONE	REVISION RECORD	DATE
		DFTR-0R1G



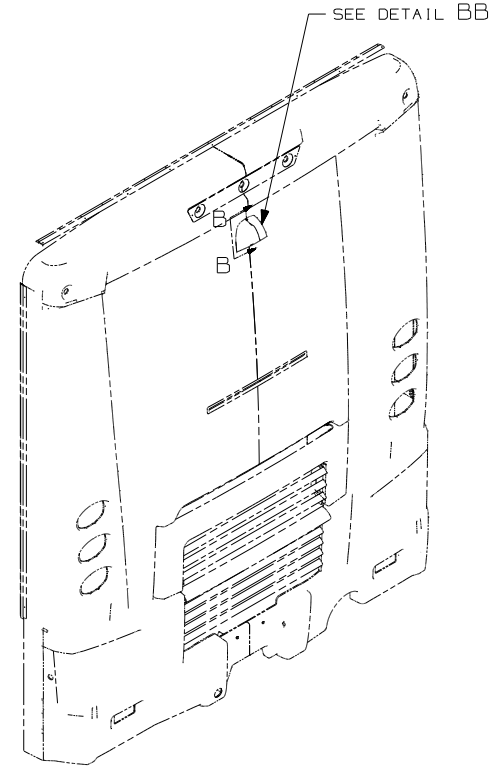
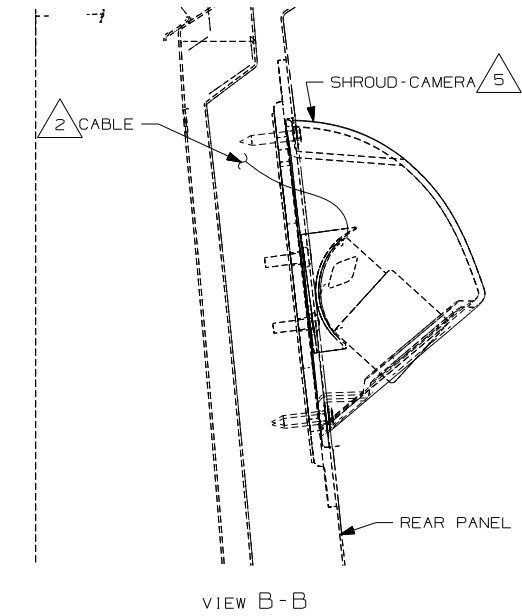
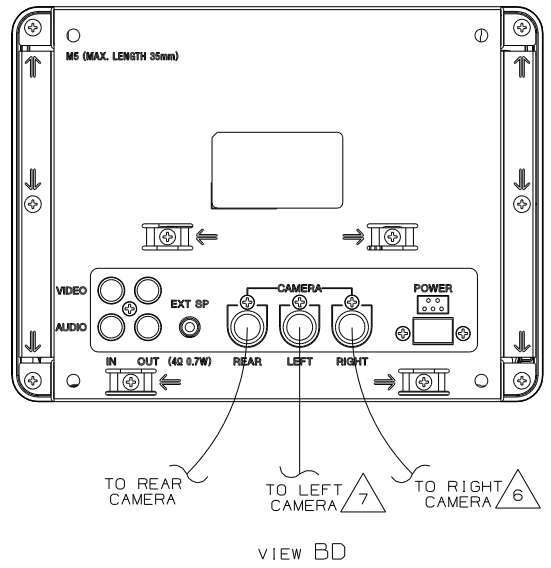
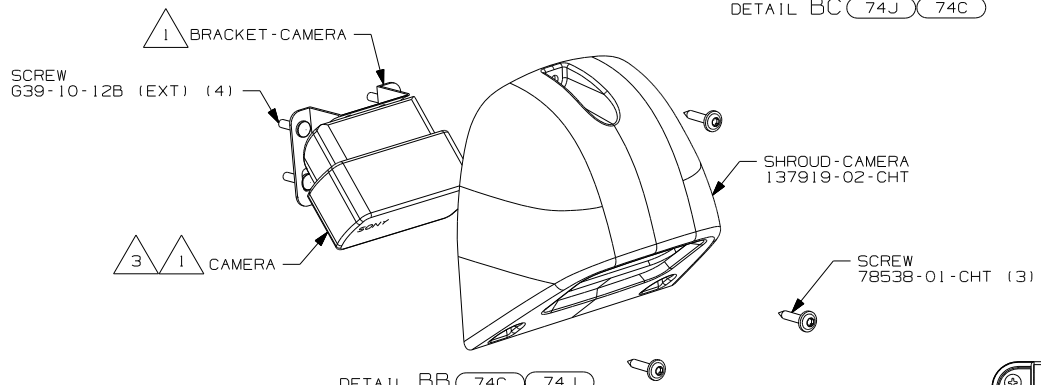
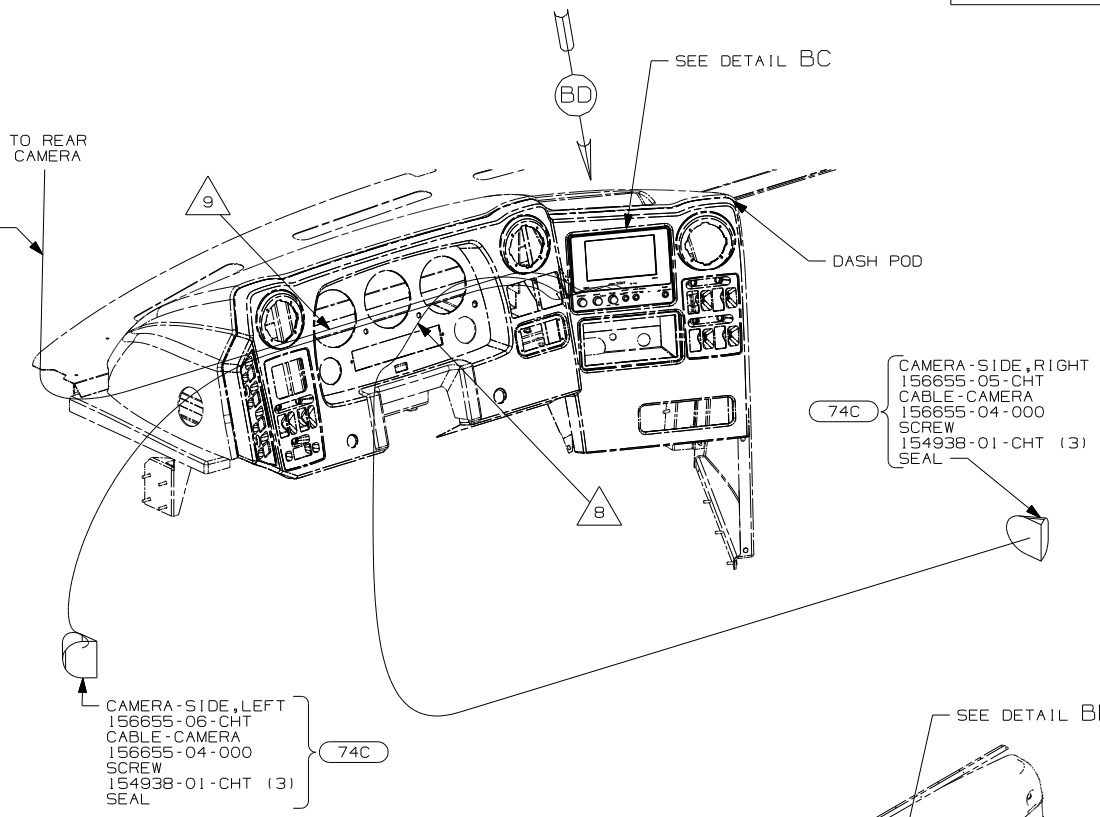
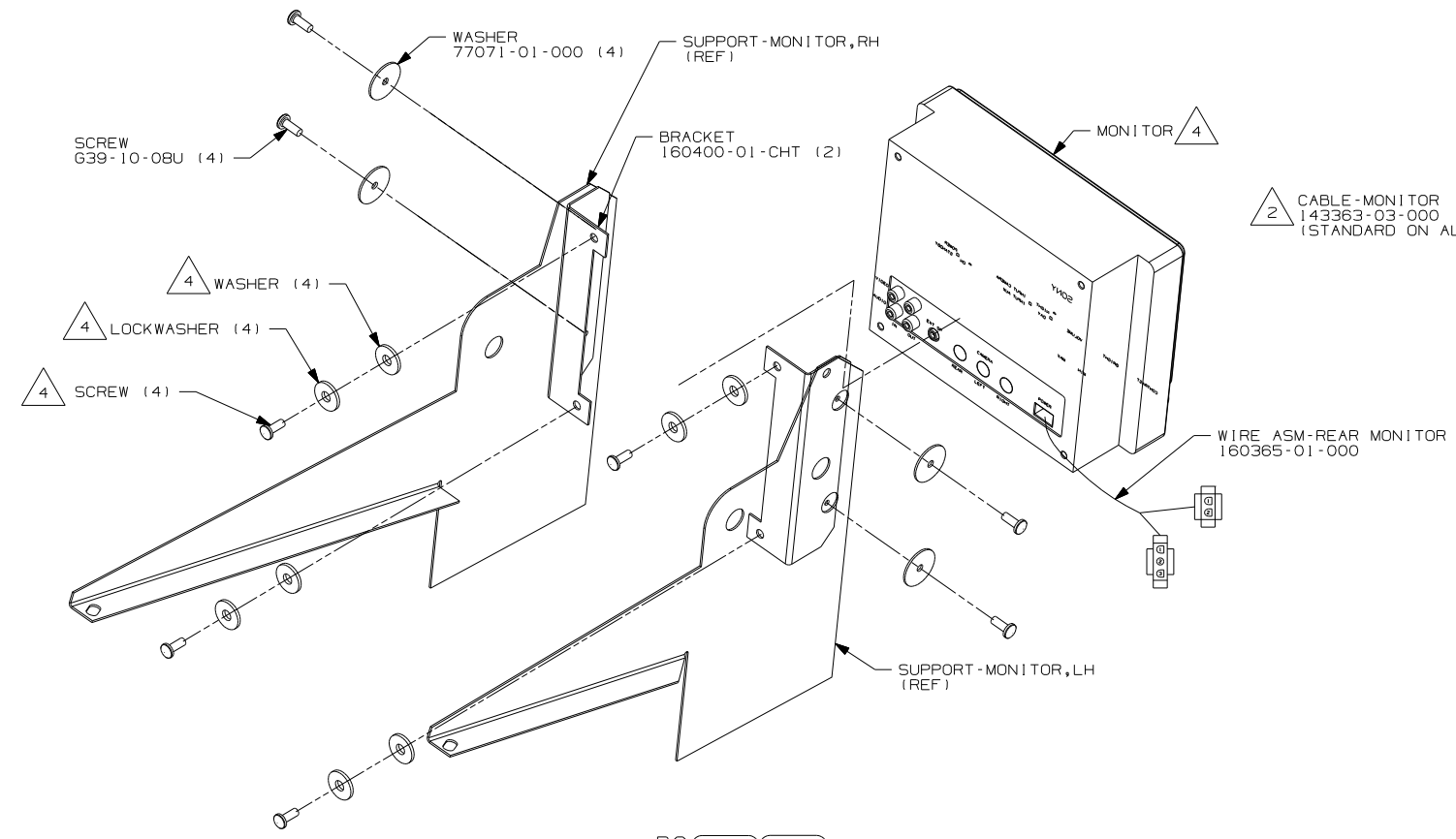
- NOTES:
- 10 TAB -01 BEFORE 06-05-06. TAB -02 06-05-06 AND AFTER.
 - 9 ROUTE LEFT & REAR CAMERA CABLES UNDER DASH & TIE TO WIRE ASM-IP,MAIN.
 - 8 ROUTE CABLE TO EXTERIOR THRU HOLE IN PANEL ALONG WITH HEATER WIRING TO RIGHT CAMERA.
 - 7 MARK LEFT CAMERA WITH YELLOW TAPE 900000-07-000 NEXT TO CONNECTOR.
 - 6 MARK RIGHT CABLE WITH WHITE TAPE 900000-08-000 NEXT TO CONNECTOR.
 - 5 SEE PANEL-REAR CAP FOR LOCATION.
 - 4 PARTS SUPPLIED WITH MONITOR P/N: 143363-01-000.
 - 3 ALIGN CAMERA IN CENTER OF SHROUD OPENING AND ADJUST SO BACKWALL IS JUST VISIBLE.
 - 2 RUN CABLE THRU LEFT HAND COVE TO FRONT OF UNIT AND DOWN LEFT A-PILLAR TO MONITOR. CONNECT TO "INPUT A" ON MONITOR.
 - 1 PARTS SUPPLIED WITH REAR CAMERA P/N: 143363-05-000.

- 74C VIDEO CAMERA SYSTEM
- 74J REARVIEW MONITOR SYSTEM
- 265 CODES/STANDARDS-CSA/CMVSS
- 1B1 CODES/STANDARDS USA

WINNEBAGO		COPYRIGHT 2006 WINNEBAGO INDUSTRIES, INC.	
DFTR	ORIG. DATE	ALL DIMENSIONS ARE IN MILLIMETERS	
CHKR		FIRST USED	
P.E.		07 S-SERIES	
M.E.		UNSPECIFIED TOLERANCES ARE:	
DSNR		MATERIAL:	
		WHOLE DIM (X)	:
		ONE-PLACE (X.X)	:
		TWO-PLACE (X.XX)	:
		ANGLE	:
		THIRD ANGLE PROJECTION	:
DO NOT SCALE DRAWING			
TITLE: MONITOR INSTL			
SHEET 1 of 2	PART NO	156348	REV
REF:	1 12/19/2006		

FOR ELECTRICAL
TORQUE
SPECIFICATIONS
SEE DWG NO.
128783-01-000

(X-X)
FOR ELECTRICAL
CALLOUTS
SEE DWG NO.
121339-01-000



- NOTES:
- 9 ROUTE LEFT & REAR CAMERA CABLES UNDER DASH & TIE TO WIRE ASM-1P,MAIN.
 - 8 ROUTE CABLE TO EXTERIOR THRU HOLE IN PANEL ALONG WITH HEATER WIRING TO RIGHT CAMERA.
 - 7 MARK LEFT CAMERA WITH YELLOW TAPE 900000-07-000 NEXT TO CONNECTOR.
 - 6 MARK RIGHT CABLE WITH WHITE TAPE 900000-08-000 NEXT TO CONNECTOR.
 - 5 SEE PANEL-REAR CAP FOR LOCATION.
 - 4 PARTS SUPPLIED WITH MONITOR P/N: 160313-01-000.
 - 3 ALIGN CAMERA IN CENTER OF SHROUD OPENING AND ADJUST SO BACKWALL IS JUST VISIBLE.
 - 2 RUN CABLE THRU LEFT HAND COVE TO FRONT OF UNIT AND DOWN LEFT A-PILLAR TO MONITOR. CONNECT TO "INPUT A" ON MONITOR.
 - 1 PARTS SUPPLIED WITH REAR CAMERA P/N: 160313-03-000.

265 CODES/STANDARDS-CSA/CMVSS
 1B1 CODES/STANDARDS USA

FIRST USED	
07 S-SERIES	
DO NOT SCALE DRAWING	
TITLE: MONITOR INSTL	
SHEET 2	PART NO 156348 REV

FOR ELECTRICAL TORQUE SPECIFICATIONS SEE DWG NO. 128783-01-000

X-X FOR ELECTRICAL CALLOUTS SEE DWG NO. 121339-01-000