



DANGER

Danger of electrical shock, burns or death. Always remove all power sources before attempting any repair, service or diagnostic work. Power can be present from shore power, generator, inverter or battery. All power sources must be disabled and secured before performing any service.

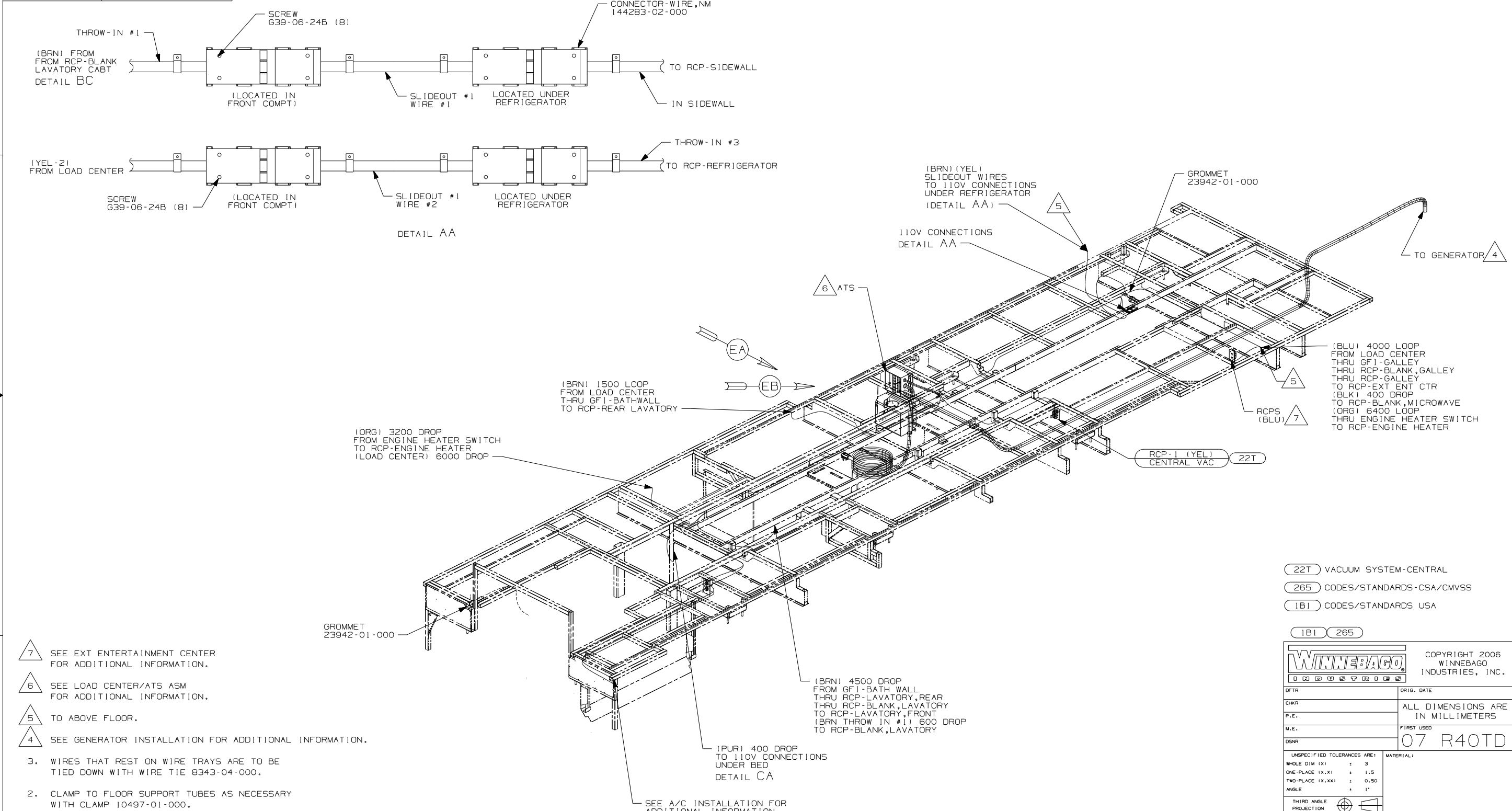


CAUTION

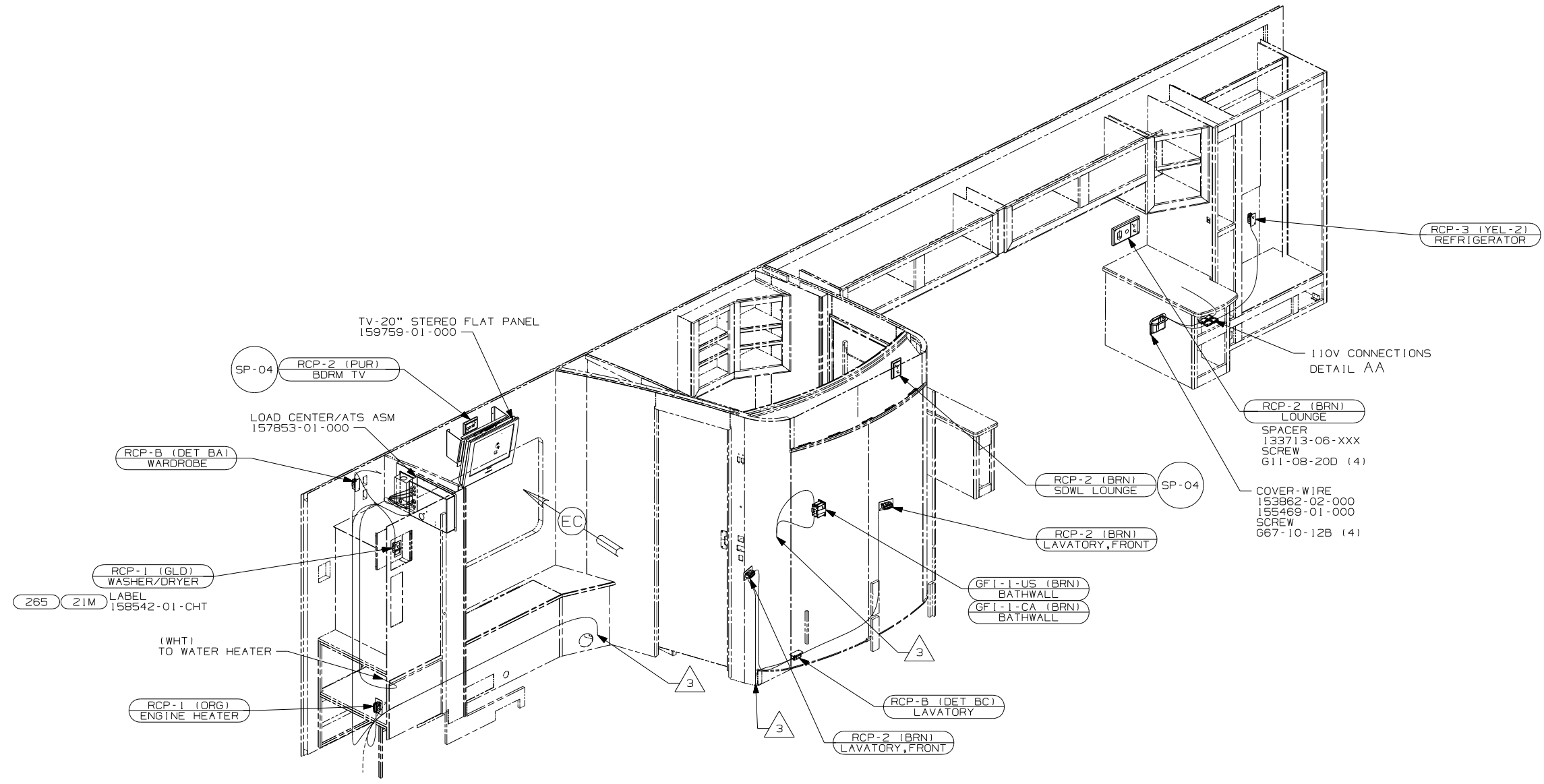
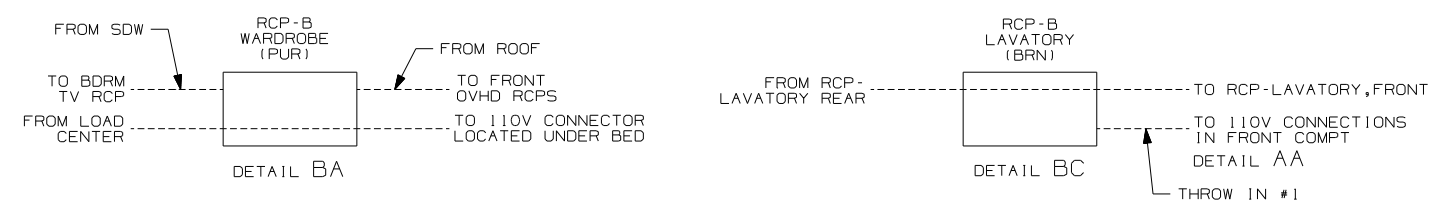
If you lack the skills, tools or equipment to perform diagnostic or repair work leave such work to an authorized Winnebago Industries dealer or other qualified shop.

DRAWING NO.	FEATURE
160174-01	-----
160174-14	(1B1) (78J) (13X)
160174-18	(265) (78J) (13X)

RELEASE	REV DATE	DWG NO	160174
REV ZONE	REVISION RECORD	DATE	DFTR-0016



- NOTES:
- ALL WIRES TO BE SECURED WITH CLAMP 10495 OR 10497 OR WIRE TIE 8343 OR 108046 EVERY 600MM, USE SCREW G67-XX-XXX OR G56-XX-XXX AS APPROPRIATE FOR INSTALLATION.
 - CLAMP TO FLOOR SUPPORT TUBES AS NECESSARY WITH CLAMP 10497-01-000.
 - WIRES THAT REST ON WIRE TRAYS ARE TO BE TIED DOWN WITH WIRE TIE 8343-04-000.



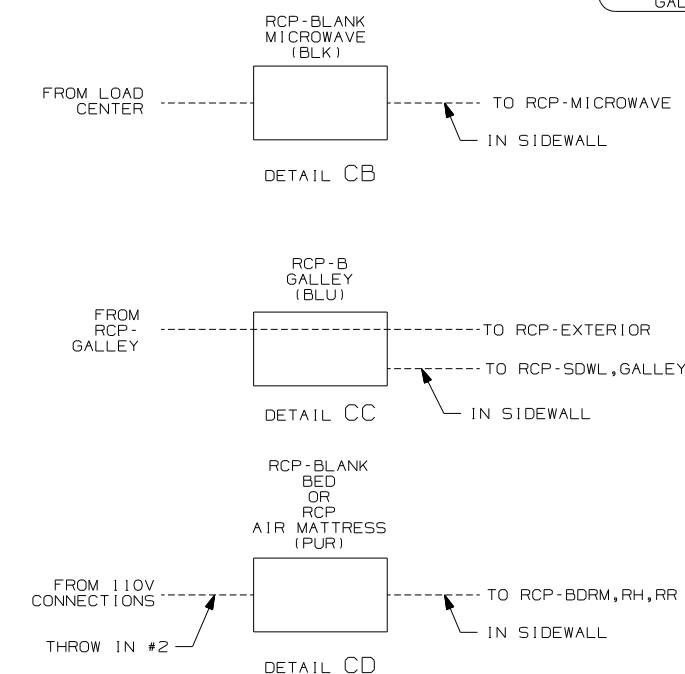
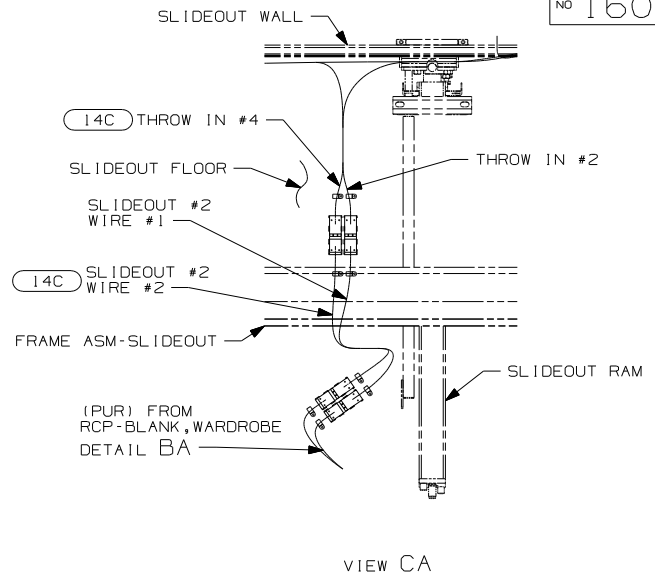
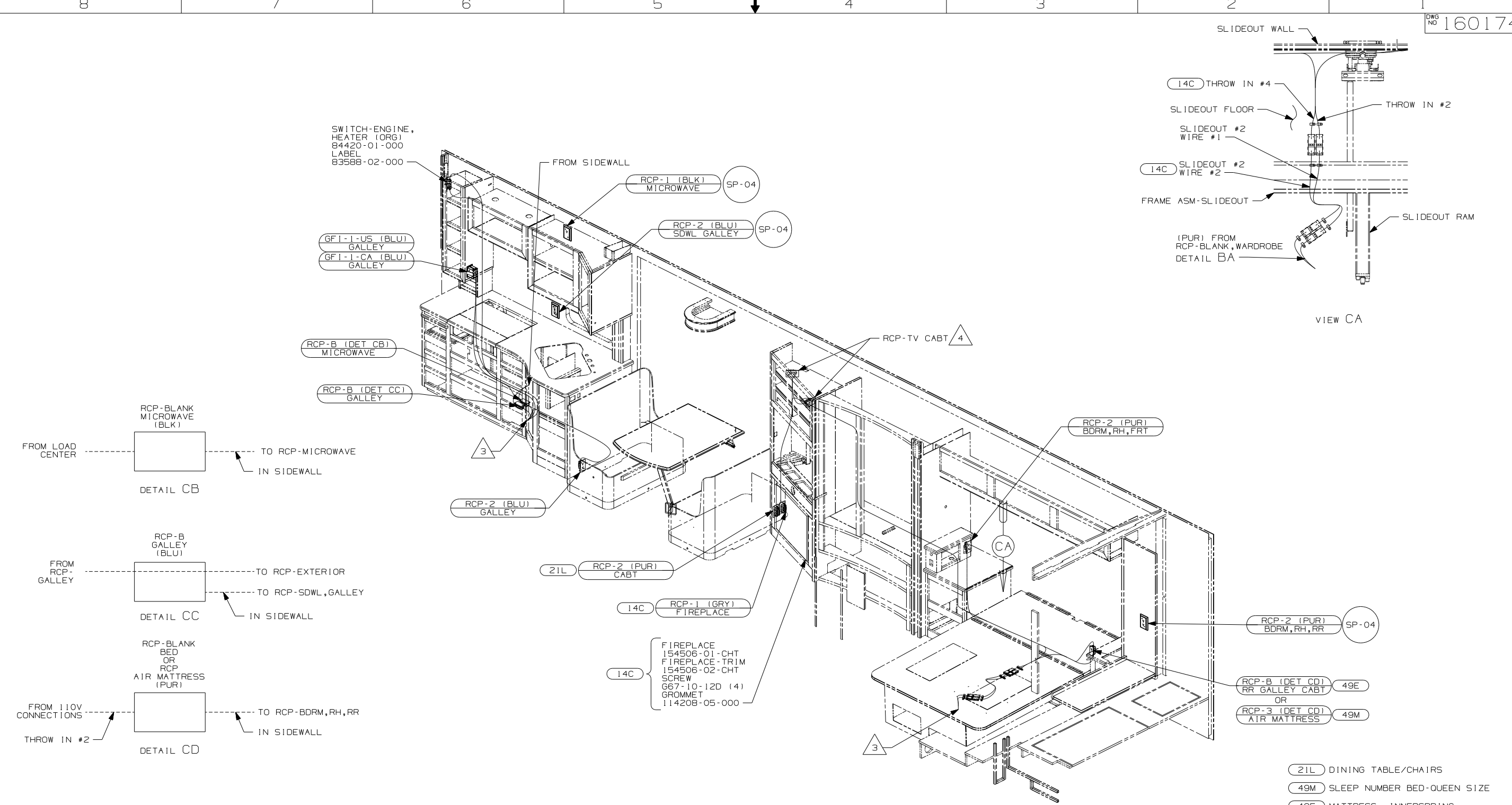
- NOTES:**
- 1. ALL WIRES TO BE SECURED WITH CLAMP 10495 OR 10497 OR WIRE TIE 8343 OR 108046 EVERY 600MM, USE SCREW G67-XX-XXX OR G56-XX-XXX AS APPROPRIATE FOR INSTALLATION.
 - 2. ALL 110V WIRES TO BE CLAMPED WITH CLAMP 10497-05-000 WITHIN 200mm OF OUTLET BOXES, USE SCREW G67-10-12B.

- (21M) WASHER/DRYER PREP
- (265) CODES/STANDARDS-CSA/CMVSS
- (1B1) CODES/STANDARDS USA

FOR ELECTRICAL TORQUE SPECIFICATIONS SEE DWG NO. 128783-01-000

(X-X) FOR ELECTRICAL CALLOUTS SEE DWG NO. 121339-01-000

FIRST USED	07 R40TD	
TITLE	DO NOT SCALE DRAWING	
TITLE	WIRING INSTL-BODY, 110V	
SHEET 2	PART NO	REV
	160174	



- 14C FIREPLACE-ELECTRIC
- 14C FIREPLACE 154506-01-CHT
- 14C FIREPLACE-TRIM 154506-02-CHT
- 14C SCREW 667-10-12D (4)
- 14C GROMMET 114208-05-000

- SP-04 RCP-2 (PUR) BDRM, RH, RR
- 49E RCP-B (DET CD) RR GALLEY CABT OR
- 49M RCP-3 (DET CD) AIR MATTRESS

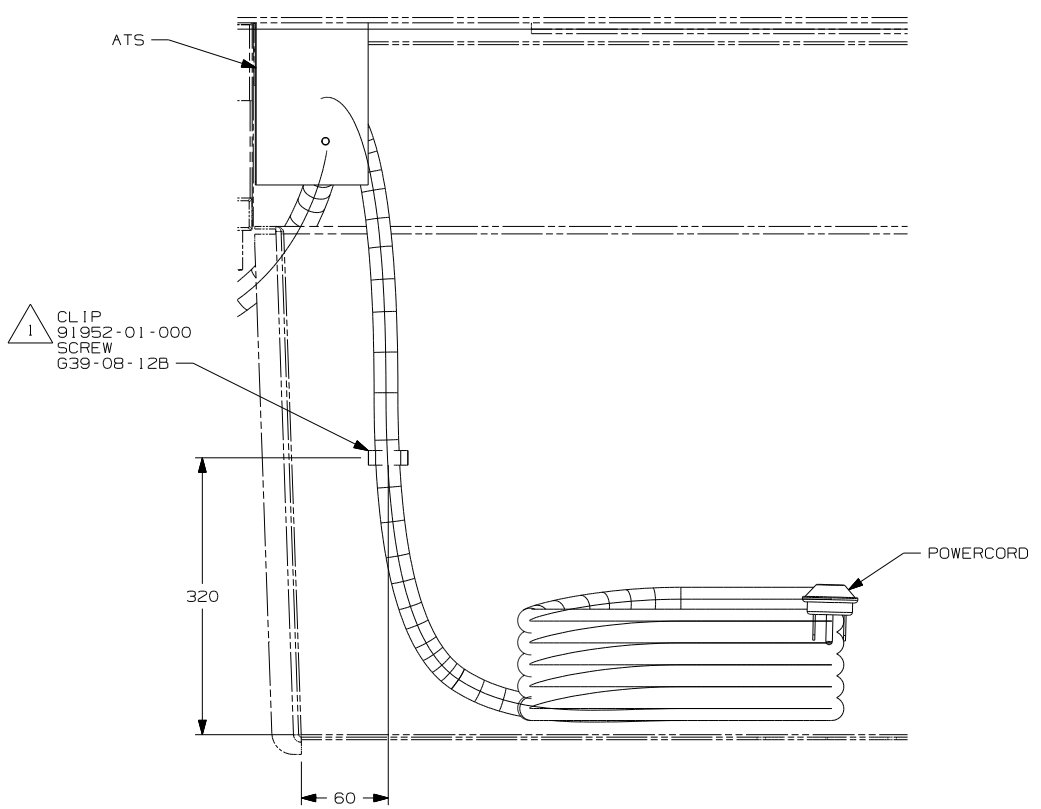
- 21L DINING TABLE/CHAIRS
- 49M SLEEP NUMBER BED-QUEEN SIZE
- 49E MATTRESS, INNERSPRING
- 265 CODES/STANDARDS-CSA/CMVSS
- 14C FIREPLACE-ELECTRIC
- 1B1 CODES/STANDARDS USA

- 4 SEE WIRING INSTL-TV/DVD SIDE FOR ADDITIONAL INFORMATION.
- 3 WIRES ROUTE BELOW FLOOR IN THIS AREA.
2. ALL 110V WIRES TO BE CLAMPED WITH CLAMP 10497-05-000 WITHIN 200mm OF OUTLET BOXES, USE SCREW 667-10-12B.
1. ALL WIRES TO BE SECURED WITH CLAMP 10495 OR 10497 OR WIRE TIE 8343 OR 108046 EVERY 600MM, USE SCREW 667-XX-XXX OR 656-XX-XXX AS APPROPRIATE FOR INSTALLATION.

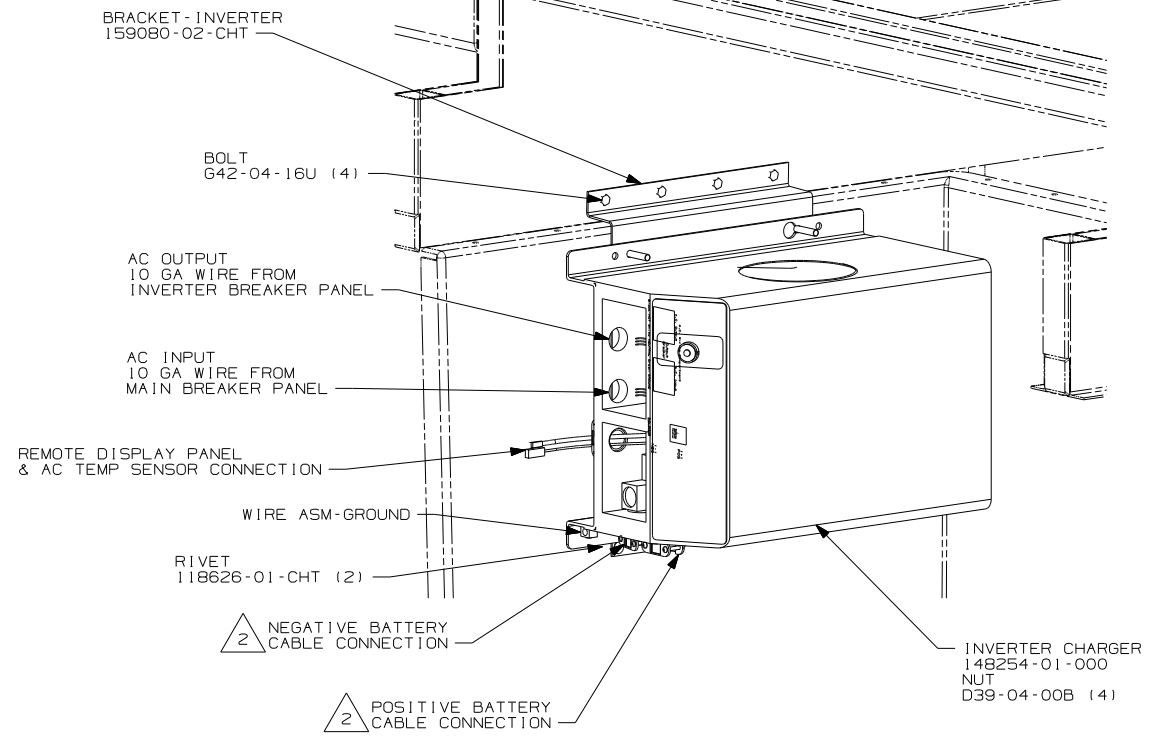
FOR ELECTRICAL TORQUE SPECIFICATIONS SEE DWG NO. 128783-01-000

FOR ELECTRICAL CALLOUTS SEE DWG NO. 121339-01-000

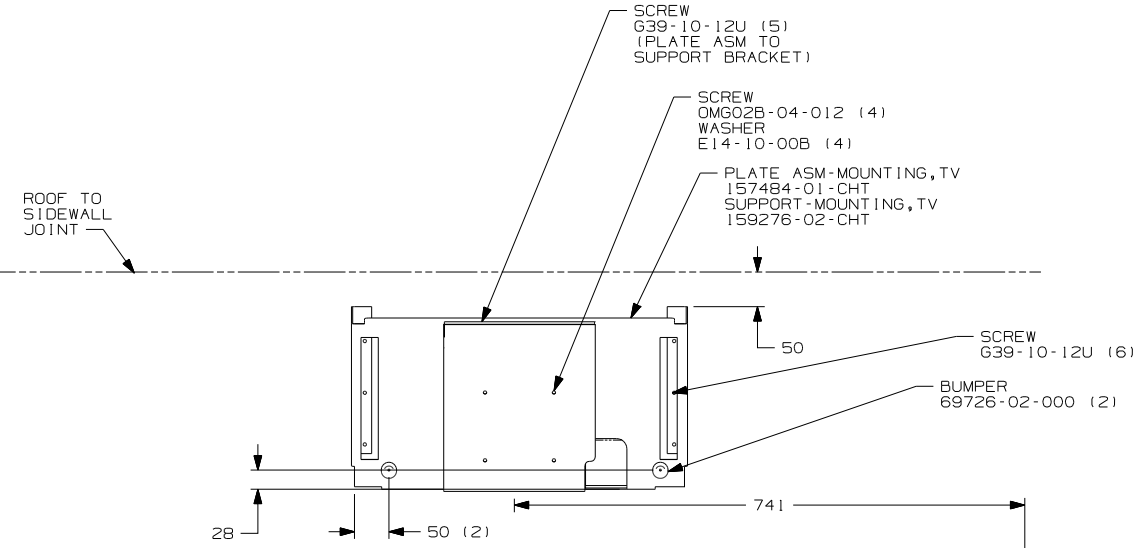
FIRST USED	
07 R40TD	
DO NOT SCALE DRAWING	
TITLE: WIRING INSTL-BODY, 110V	
SHEET 3	PART NO 160174



VIEW EA



VIEW EB



VIEW EC
(TV NOT SHOWN)

NOTES:

2 SEE BATTERY INSTL FOR ADDITIONAL INFORMATION.

1 SEE LOAD CENTER/ATS ASM FOR ADDITIONAL INFORMATION.

FOR ELECTRICAL
TORQUE
SPECIFICATIONS
SEE DWG NO.
128783-01-000

FOR
ELECTRICAL
CALLOUTS
SEE DWG NO.
121339-01-000

FIRST USED	07 R40TD
DO NOT SCALE DRAWING	
TITLE:	WIRING INSTL-BODY, 110V
SHEET 4	PART NO 160174 REV