



DANGER

Danger of electrical shock, burns or death. Always remove all power sources before attempting any repair, service or diagnostic work. Power can be present from shore power, generator, inverter or battery. All power sources must be disabled and secured before performing any service.

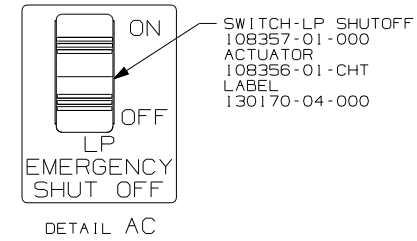
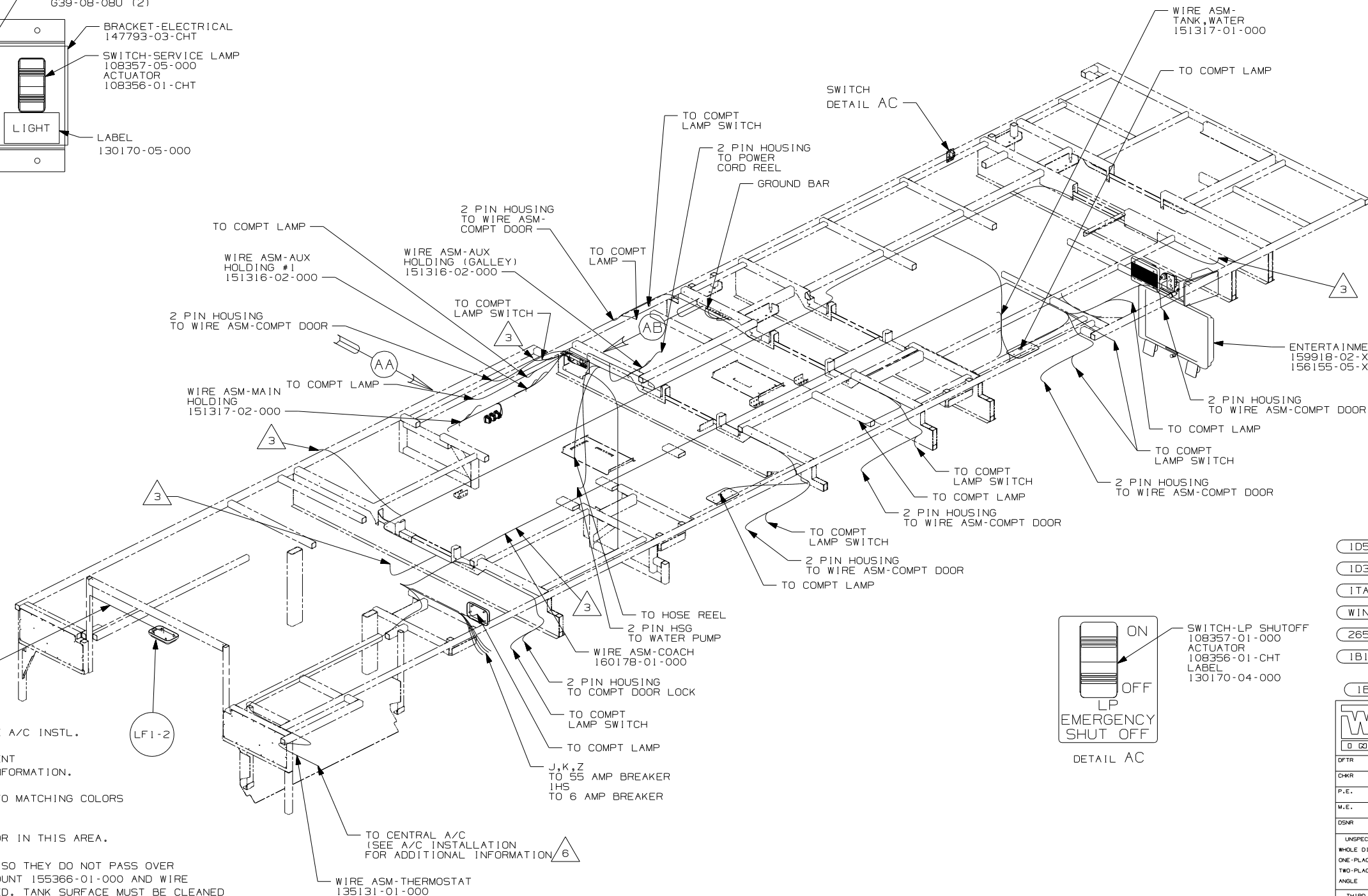
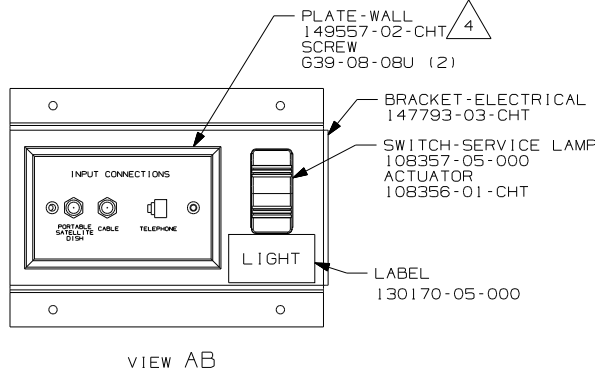
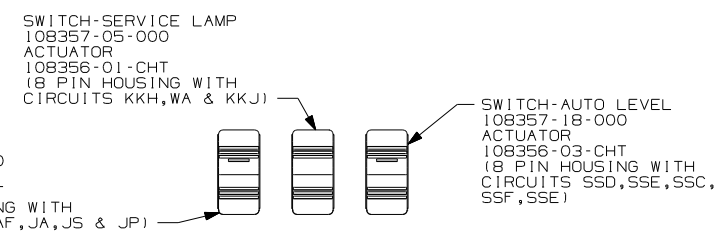


CAUTION

If you lack the skills, tools or equipment to perform diagnostic or repair work leave such work to an authorized Winnebago Industries dealer or other qualified shop.

DRAWING NO.	FEATURES
160173-01	(WIN)
160173-02	(ITA)

RELEASE	REV/DATE	DWG NO
	A	160173
REV ZONE	REVISION RECORD	DATE
		DFTR-016



- (ID5) ENTERTAINMENT CENTR/EXT W/CD
- (ID3) ENTERTAINMENT CENTR/EXT TV-DVD
- (ITA) ITASCA ONLY
- (WIN) WINNEBAGO ONLY
- (265) CODES/STANDARDS-CSA/CMVSS
- (1B1) CODES/STANDARDS USA
- (1B1) (265)

- △ 6 FOR MORE INFORMATION SEE A/C INSTL.
- △ 5 SEE EXTERIOR ENTERTAINMENT CENTER FOR ADDITIONAL INFORMATION.
- △ 4 CONNECT TELEPHONE WIRE TO MATCHING COLORS ON PLATE-TELEPHONE.
- △ 3 WIRE PASSES UP THRU FLOOR IN THIS AREA.

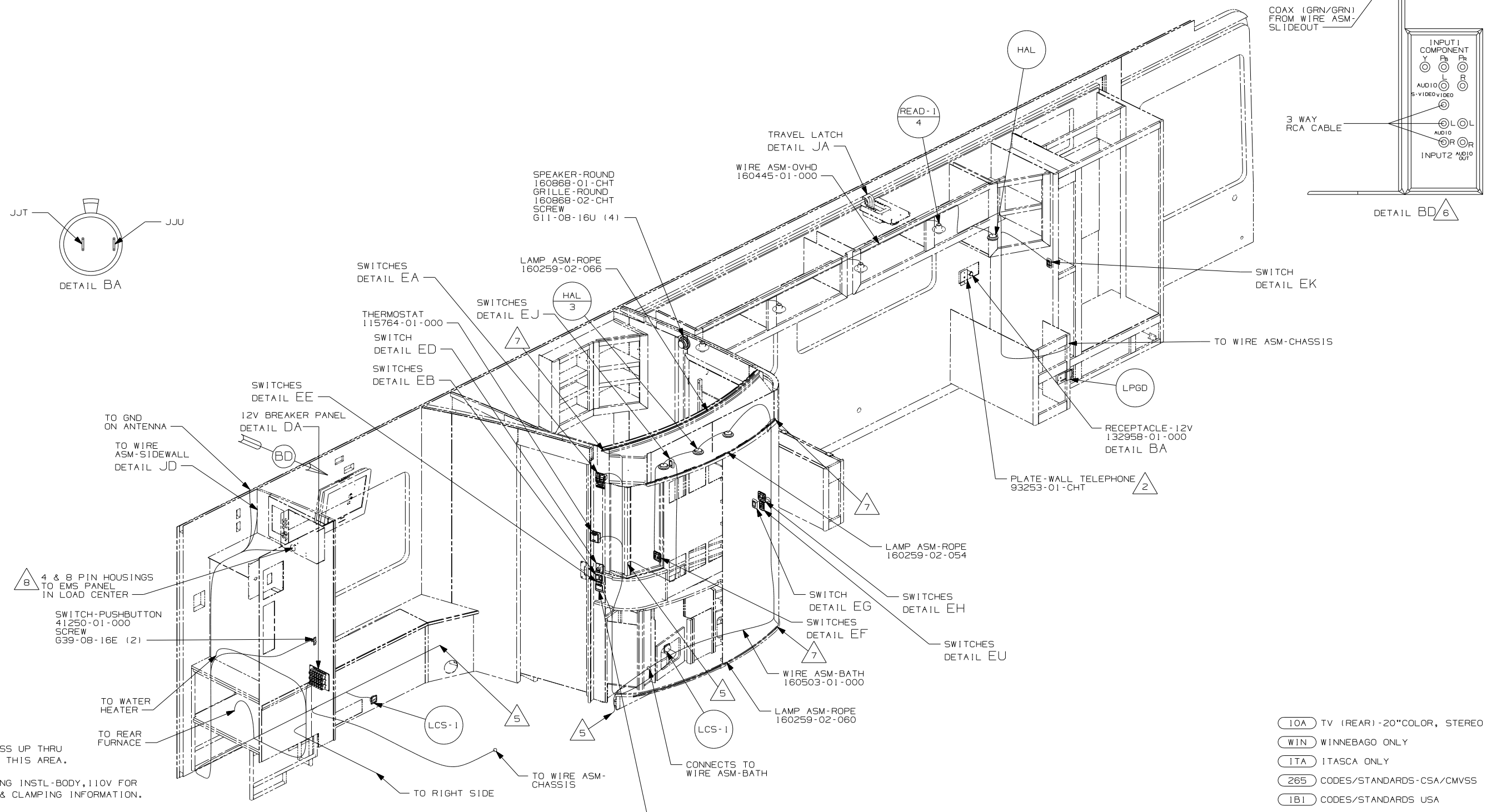
2. ROUTE TANK SENSOR WIRES SO THEY DO NOT PASS OVER SENSORS. USE WIRE TIE MOUNT 155366-01-000 AND WIRE TIE 8343-01-000 AS NEEDED. TANK SURFACE MUST BE CLEANED USING ISOPROPYL ALCOHOL AND PRIME WITH PRIMER 94.
1. ALL WIRES TO BE SECURED WITH CLAMP 10495 OR 10497 OR WIRE TIE 8343 OR 108046 EVERY 600MM, USE SCREW G67-XX-XXX OR G56-XX-XXX AS APPROPRIATE FOR INSTALLATION.

NOTES:

FOR ELECTRICAL TORQUE SPECIFICATIONS SEE DWG NO. 128783-01-000

(X-X) FOR ELECTRICAL CALLOUTS SEE DWG NO. 121339-01-000

		COPYRIGHT 2006 WINNEBAGO INDUSTRIES, INC.
DFTR	ORIG. DATE	
CHKR	ALL DIMENSIONS ARE IN MILLIMETERS	
P.E.	FIRST USED	07 R40TD
M.E.		
DSNR		
UNSPECIFIED TOLERANCES ARE:	MATERIAL:	
WHOLE DIM (X)	: 3	
ONE-PLACE (X.X)	: 1.5	
TWO-PLACE (X.XX)	: 0.50	
ANGLE	: 1°	
THIRD ANGLE PROJECTION		
DO NOT SCALE DRAWING		
TITLE: WIRING INSTL-BODY, 12V		
SHEET 1 OF 9	PART NO	160173
REF:	1 1/16/2007	



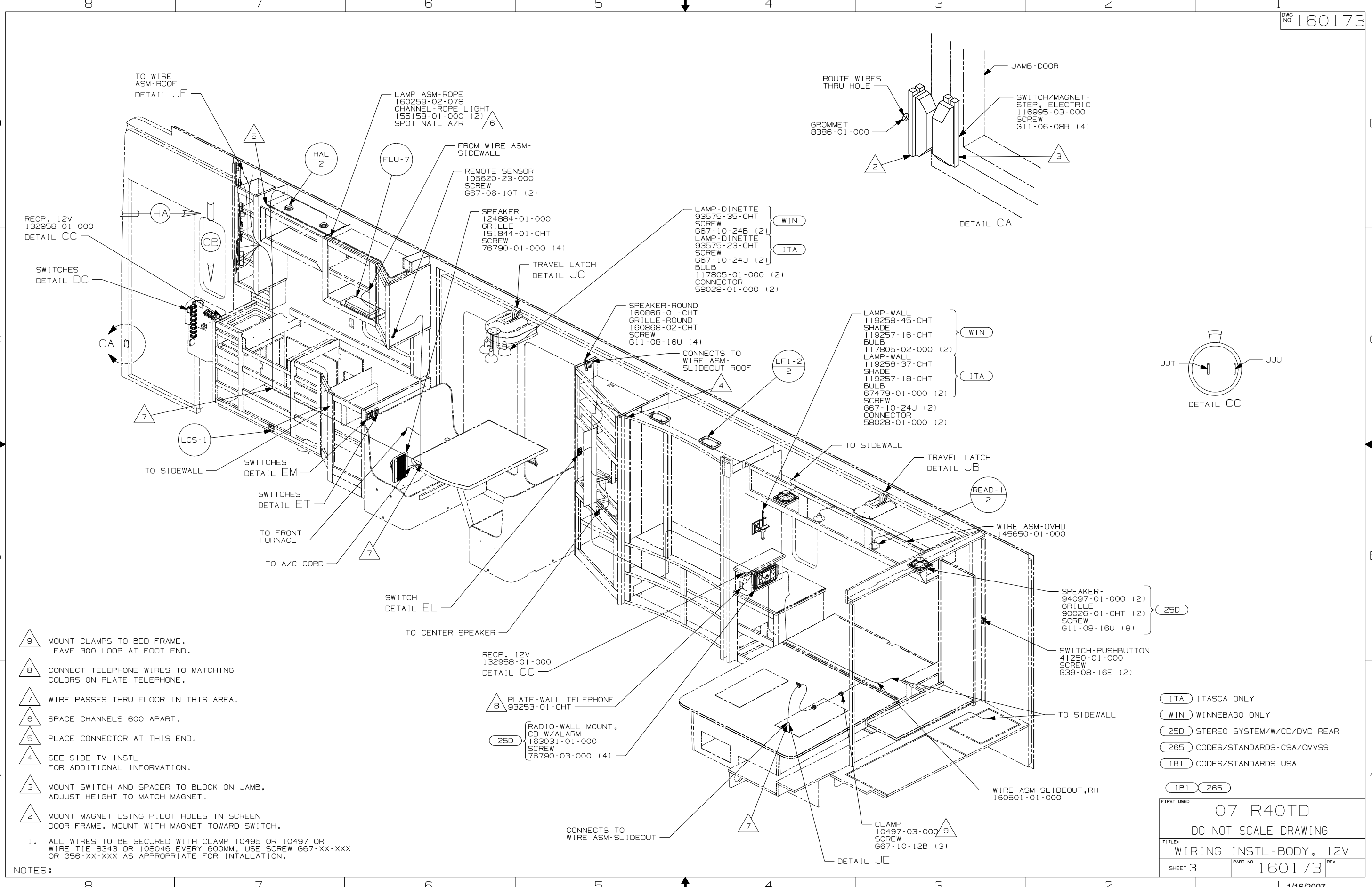
NOTES:

- ALL WIRES TO BE SECURED WITH CLAMP 10495 OR 10497 OR WIRE TIE 8343 OR 108046 EVERY 600MM, USE SCREW 667-XX-XXX OR G56-XX-XXX AS APPROPRIATE FOR INSTALLATION.

8 SEE LOAD CENTER/ATS ASM FOR ADDITIONAL INFORMATION.
 7 PLACE CONNECTOR ON THIS END.
 6 MENU, SETUP, AUDIO OUT, SELECT OPTION OUT VAO.

10A TV (REAR)-20"COLOR, STEREO
 WIN WINNEBAGO ONLY
 1TA ITASCA ONLY
 265 CODES/STANDARDS-CSA/CMVSS
 1B1 CODES/STANDARDS USA

FIRST USED		07 R40TD	
DO NOT SCALE DRAWING			
TITLE: WIRING INSTL-BODY, 12V			
SHEET 2	PART NO	160173	REV



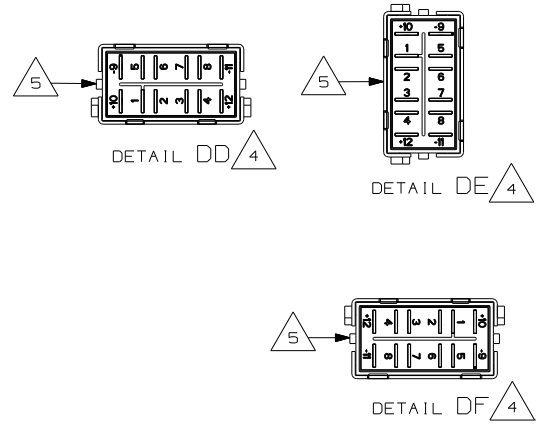
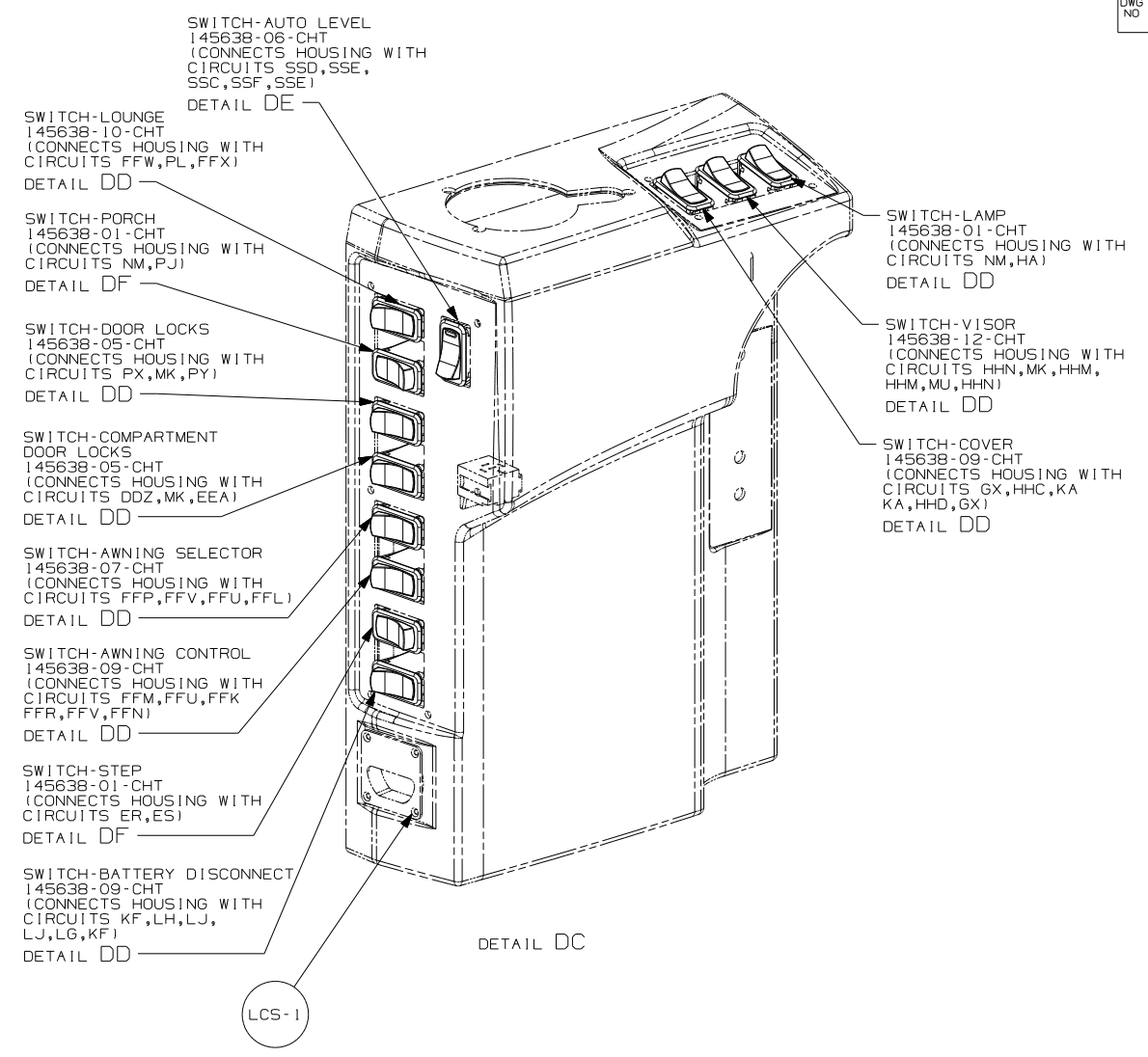
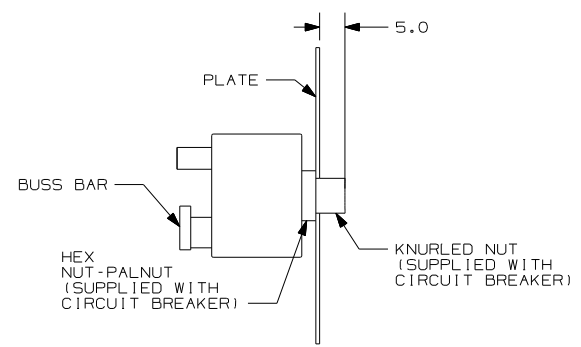
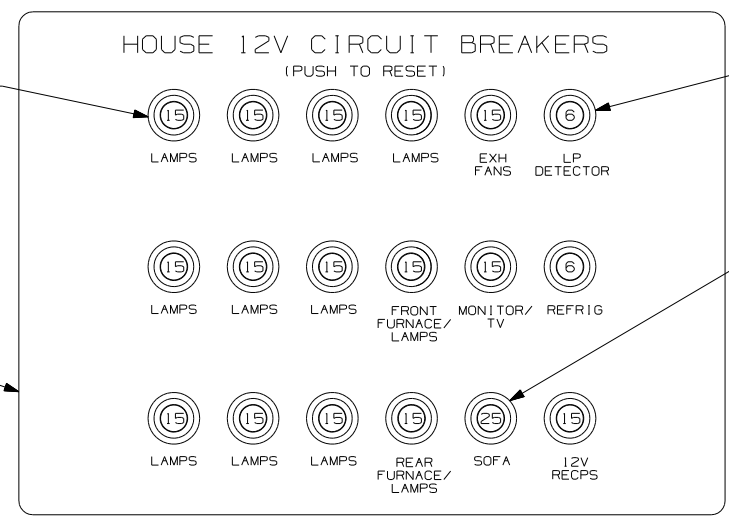
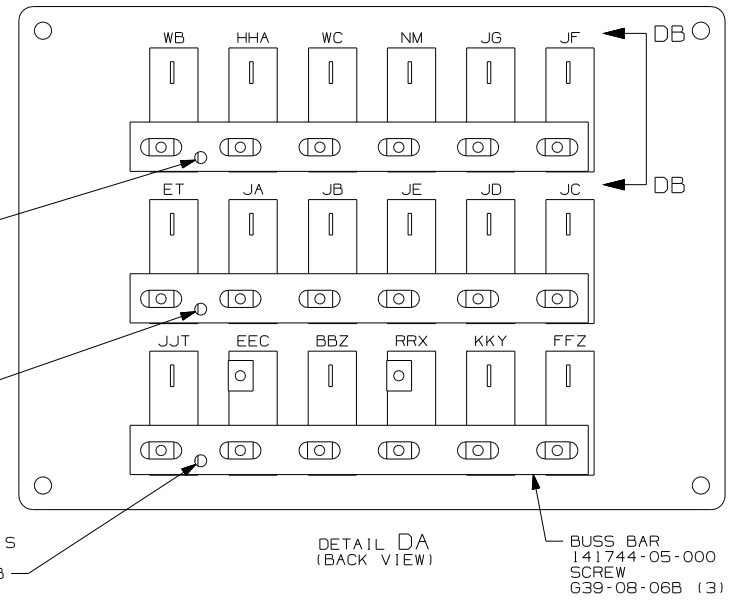
- ▲ 9 MOUNT CLAMPS TO BED FRAME. LEAVE 300 LOOP AT FOOT END.
- ▲ 8 CONNECT TELEPHONE WIRES TO MATCHING COLORS ON PLATE TELEPHONE.
- ▲ 7 WIRE PASSES THRU FLOOR IN THIS AREA.
- ▲ 6 SPACE CHANNELS 600 APART.
- ▲ 5 PLACE CONNECTOR AT THIS END.
- ▲ 4 SEE SIDE TV INSTL FOR ADDITIONAL INFORMATION.
- ▲ 3 MOUNT SWITCH AND SPACER TO BLOCK ON JAMB, ADJUST HEIGHT TO MATCH MAGNET.
- ▲ 2 MOUNT MAGNET USING PILOT HOLES IN SCREEN DOOR FRAME. MOUNT WITH MAGNET TOWARD SWITCH.

1. ALL WIRES TO BE SECURED WITH CLAMP 10495 OR 10497 OR WIRE TIE 8343 OR 108046 EVERY 600MM. USE SCREW G67-XX-XXX OR G56-XX-XXX AS APPROPRIATE FOR INTALLATION.

NOTES:

- (ITA) ITASCA ONLY
- (WIN) WINNEBAGO ONLY
- (25D) STEREO SYSTEM/W/CD/DVD REAR
- (265) CODES/STANDARDS-CSA/CMVSS
- (181) CODES/STANDARDS USA

FIRST USED	07 R40TD	
DO NOT SCALE DRAWING		
TITLE:	WIRING INSTL-BODY, 12V	
SHEET 3	PART NO	160173
REV		

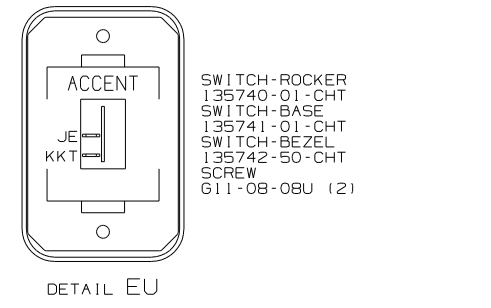
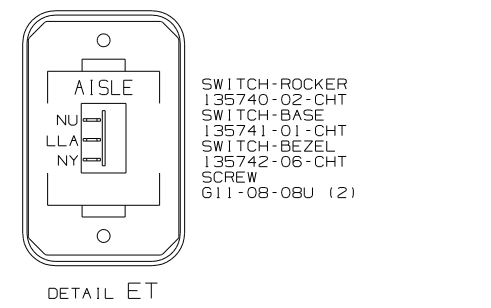
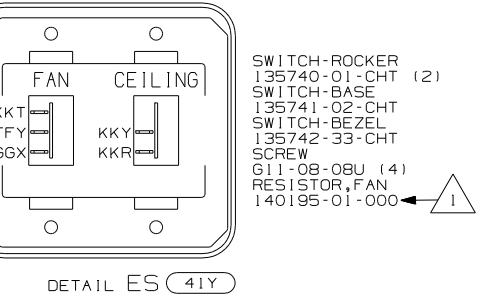
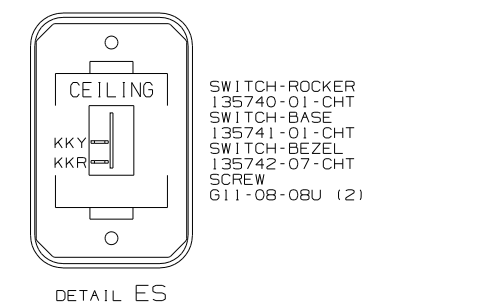
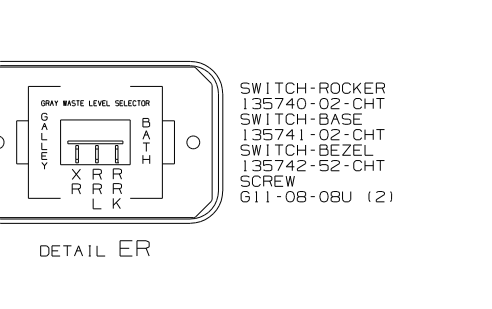
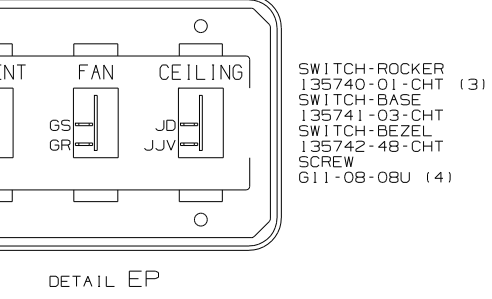
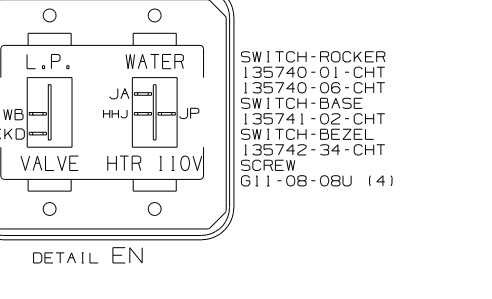
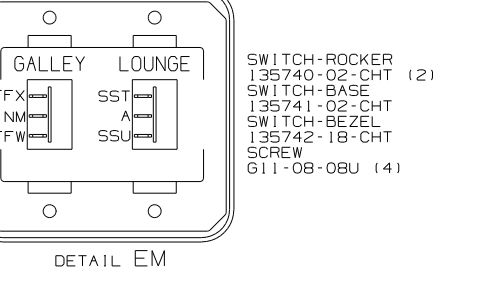
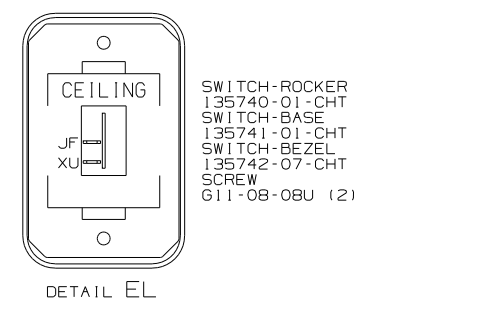
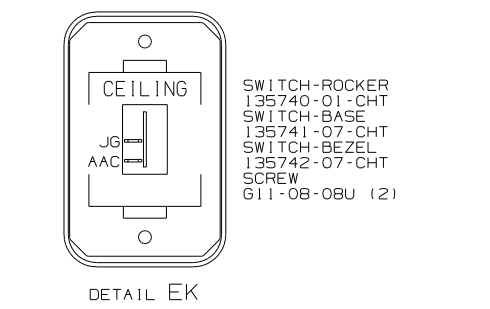
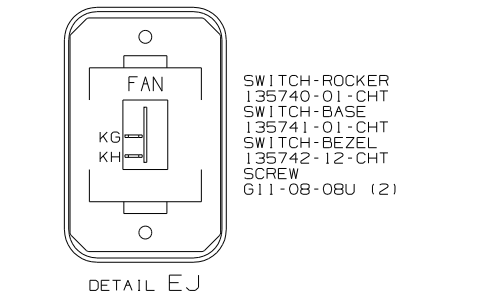
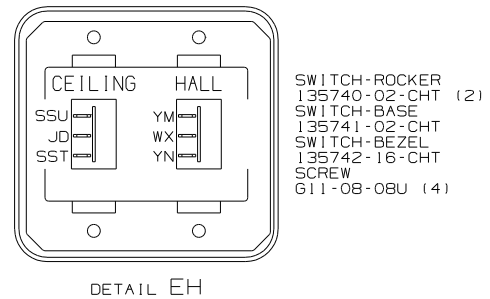
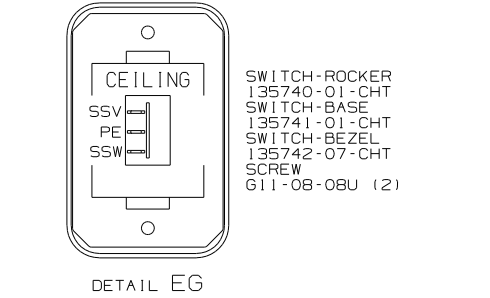
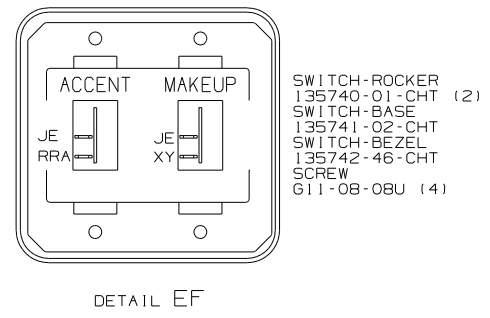
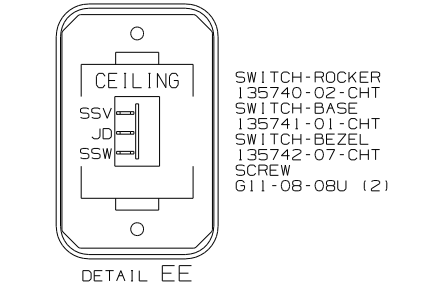
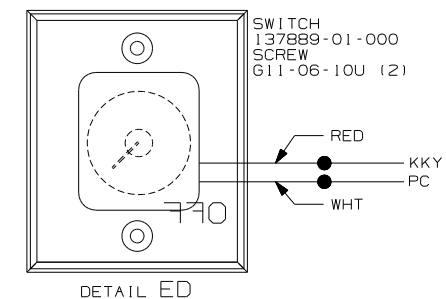
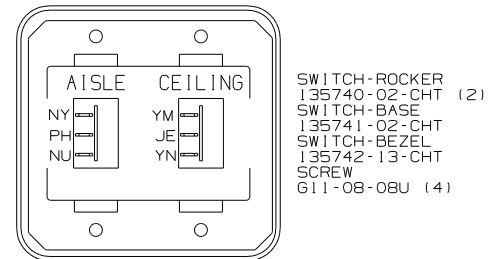
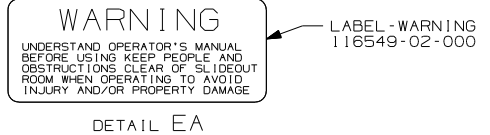
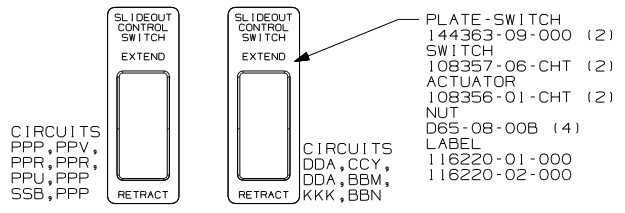


- 6 FASTEN RELAY TO SIDEWALL.
- 5 WITH SWITCH INSTALLED THIS SIDE OF SWITH WILL FACE LEFT SIDEWALL.
- 4 DETAIL IS LOOKING AT SWITCH FROM THE BACKSIDE OF SWITCH WHEN IT IS INSTALLED.
- 3 CUT ROPE LIGHT AT X MARKS ON LIGHT AND INSTALL CONNECTOR 146514-02-000.
- 2 PLACE CONNECTOR HERE TO MAKE CONNECTION TO MATING HOUSING.

1. ALL WIRES TO BE SECURED WITH CLAMP 10495 OR 10497 OR WIRE TIE 8343 OR 108046 EVERY 600MM, USE SCREW G67-XX-XXX OR G56-XX-XXX AS APPROPRIATE FOR INSTALLATION.

- 43W CABINET-LAVATORY
- 43V CABINET-CHEST OF DRAWERS
- WIN WINNEBAGO ONLY
- ITA ITASCA ONLY

FIRST USED	07 R40TD	
TITLE	DO NOT SCALE DRAWING	
	WIRING INSTL-BODY, 12V	
SHEET 4	PART NO	160173
	REV	



- (41Y) FAN - CEILING_BEDROOM
- (265) CODES/STANDARDS-CSA/CMVSS
- (1B1) CODES/STANDARDS USA
- (1B1) (265)

FIRST USED	
07 R40TD	
DO NOT SCALE DRAWING	
TITLE:	
WIRING INSTL-BODY, 12V	
SHEET 5	PART NO 160173

NOTES:
 1 CONNECT WIRE ASM-RESISTOR, FAN TO 2-PIN HOUSING LOCATED BY THE SWITCH WIRES.

LIGHT
146048-01-000
SCREW
G11-08-16U (2)
CONNECTOR
58028-01-000 (2)

LIGHT
093575-33-CHT
BULB
117805-02-000 (4)
SCREW
G39-10-32B (4)
CONNECTOR
58028-01-000 (2)
CIRCUIT PC, KKZ
CIRCUIT FFY NOT USED

LIGHT-CEILING
93575-40-CHT (2) WIN
93575-27-CHT (2) ITA
BULB
117805-02-000 (2)
SCREW
G11-08-16U (4)
CONNECTOR
58028-01-000 (4)

FAN
139134-01-CHT
SCREW
G11-10-16B (3)
CONNECTOR
58028-01-000 (2)
DETAIL HD
CIRCUIT PC NOT USED

FLUN5
3

HAL
4

FLUN5

LFIN2
2

HAL
3

LSH-1

LF1-2

LFIN2
6

BRACKET-ELECTRICAL
160474-01-CHT
SCREW
G39-08-08U (2)

BRACKET-ELECTRICAL
160474-01-CHT
SCREW
G39-08-08U (2)

WASHER-PLASTIC
87080-02-CHT (2)

SWITCH-PUSHBUTTON
41250-01-000 (2)
BRACKET-SWITCH, LIGHT
138494-01-CHT (2)
SCREW
G39-08-12T (4)
G55-08-12B (4)
SCREW COVER
93249-01-000 (8)
WASHER-PLASTIC
87080-02-CHT (2)

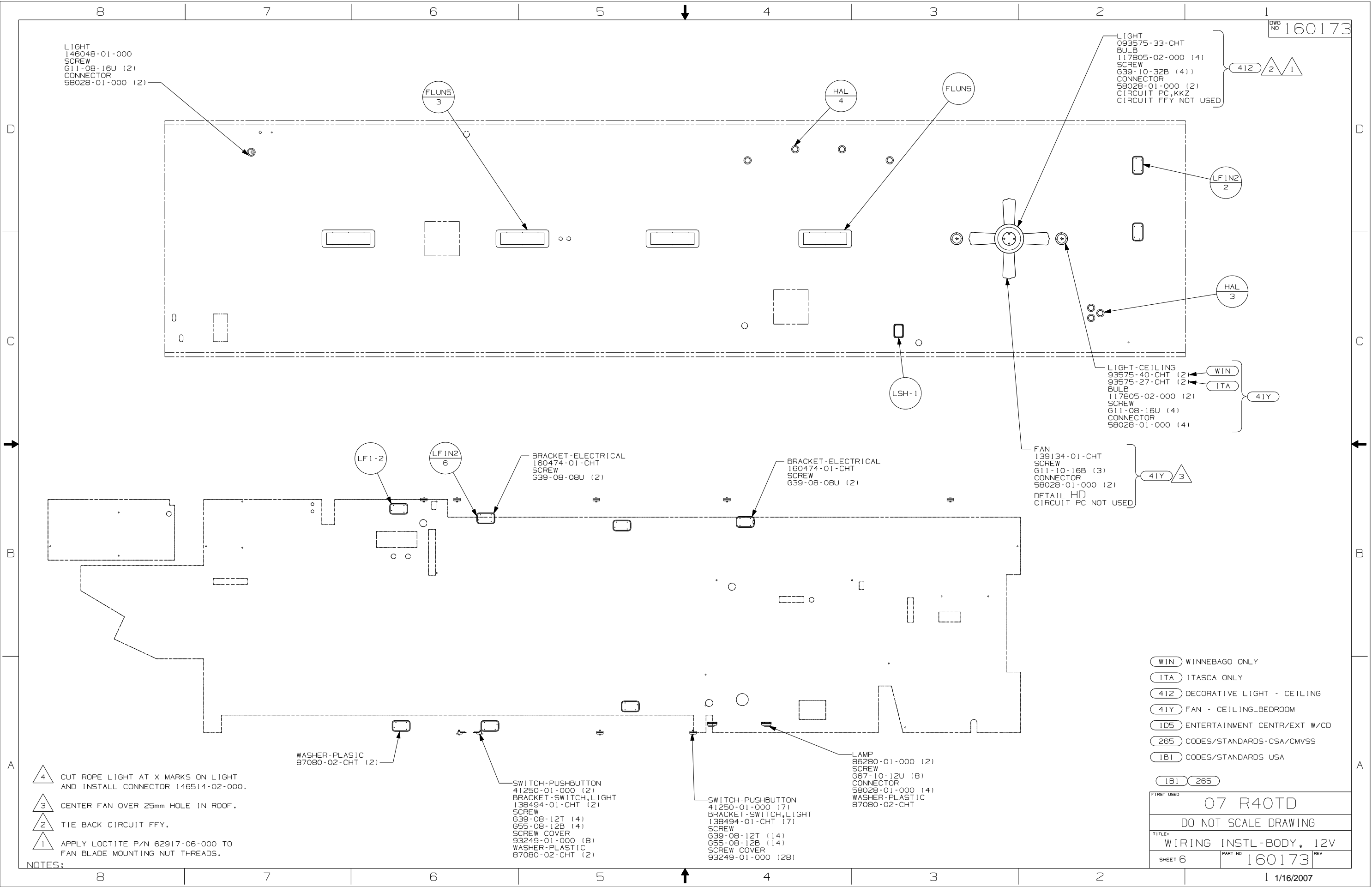
SWITCH-PUSHBUTTON
41250-01-000 (7)
BRACKET-SWITCH, LIGHT
138494-01-CHT (7)
SCREW
G39-08-12T (14)
G55-08-12B (14)
SCREW COVER
93249-01-000 (28)

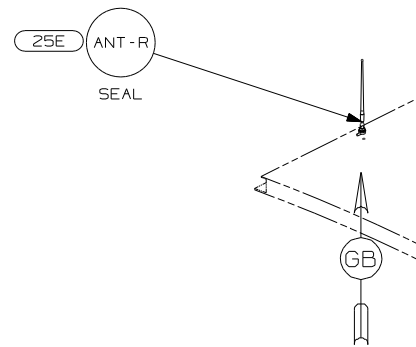
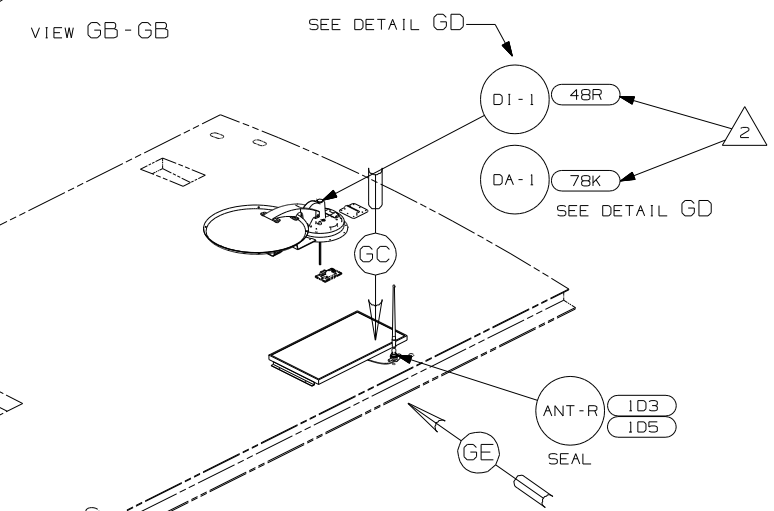
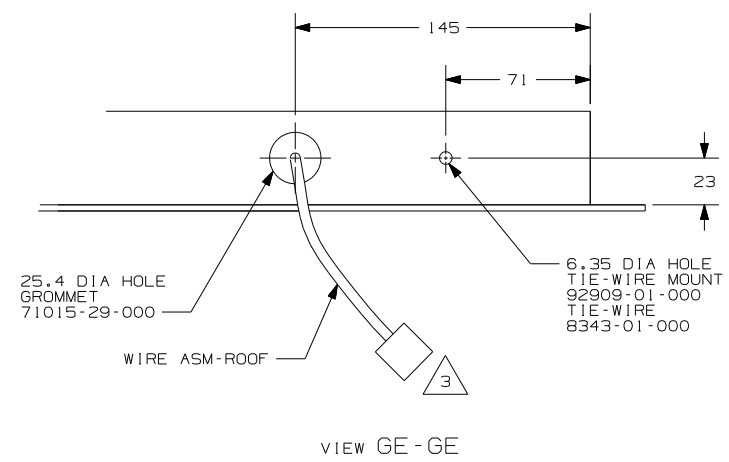
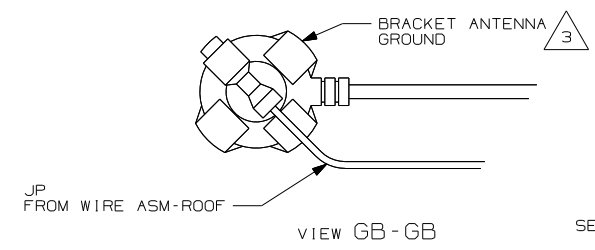
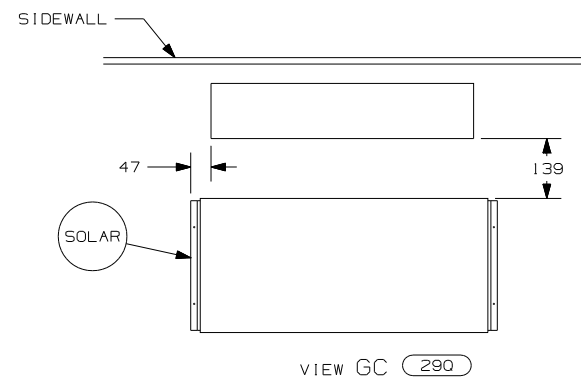
LAMP
86280-01-000 (2)
SCREW
G67-10-12U (8)
CONNECTOR
58028-01-000 (4)
WASHER-PLASTIC
87080-02-CHT

- (WIN) WINNEBAGO ONLY
- (ITA) ITASCA ONLY
- (412) DECORATIVE LIGHT - CEILING
- (41Y) FAN - CEILING_BEDROOM
- (ID5) ENTERTAINMENT CENTR/EXT W/CD
- (265) CODES/STANDARDS-CSA/CMVSS
- (IB1) CODES/STANDARDS USA

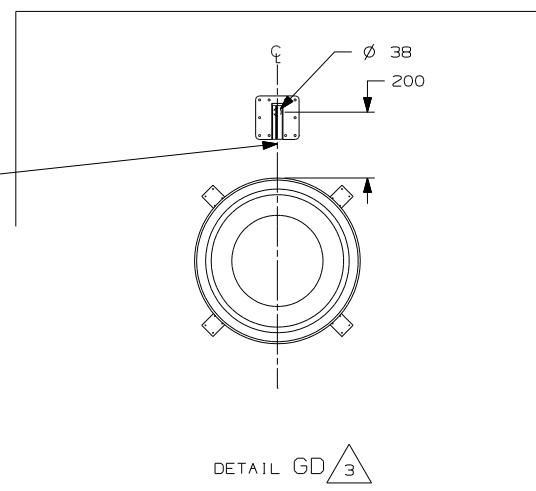
FIRST USED	07 R40TD	
TITLE	DO NOT SCALE DRAWING	
	WIRING INSTL-BODY, 12V	
SHEET 6	PART NO	160173
	REV	1/16/2007

- NOTES:
- 4 CUT ROPE LIGHT AT X MARKS ON LIGHT AND INSTALL CONNECTOR 146514-02-000.
 - 3 CENTER FAN OVER 25mm HOLE IN ROOF.
 - 2 TIE BACK CIRCUIT FFY.
 - 1 APPLY LOCTITE P/N 62917-06-000 TO FAN BLADE MOUNTING NUT THREADS.





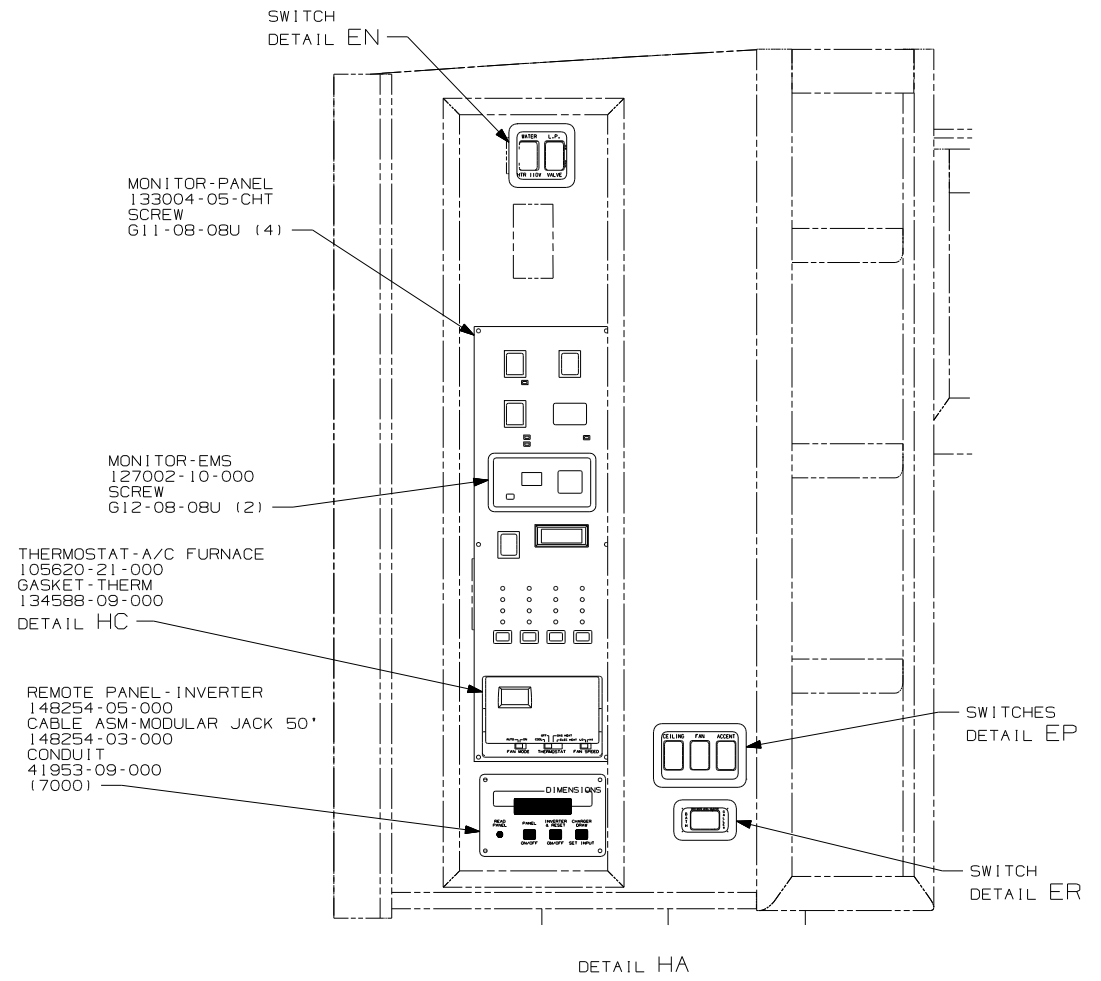
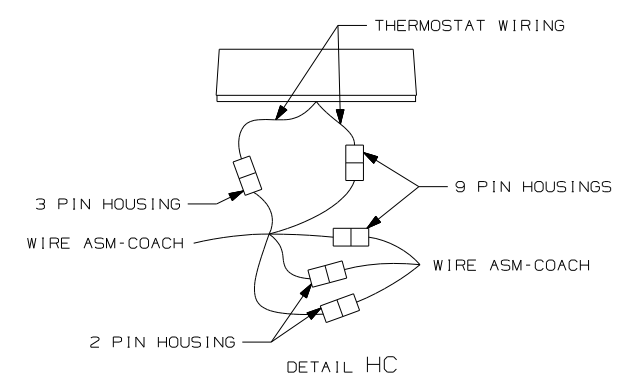
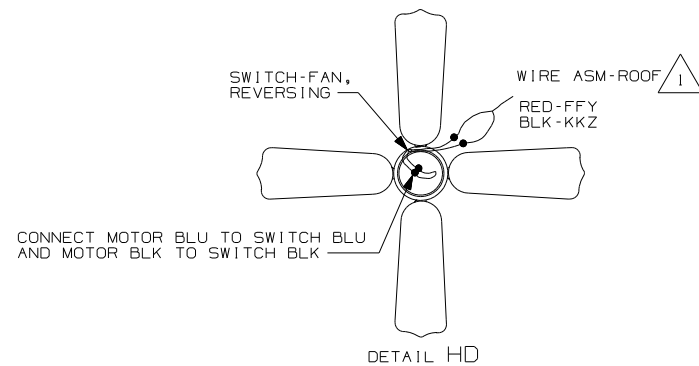
THE SATELLITE DISH WIRE CONNECTIONS ARE TO BE PLACED ON THE CENTERLINE OF THE MOTORHOME FACING FORWARD



- (78K) SATELLITE DISH-AUTOMATIC
- (1D3) ENTERTAIN CTR/EXT TV-DVD
- (48R) SAT. SYS. IN-MOTION W/O RCVR.
- (290) SOLAR PANEL - 10 WATT
- (25E) REAR STEREO SYSTEM W/CD
- (1D5) ENTERTAINMENT CTR/EXT W/CD
- (265) CODES/STANDARDS-CSA/CMVSS
- (1B1) CODES/STANDARDS USA

- NOTES:
- (3) REMOVE ALL SHIPPING RESTRAINTS AND FIRMLY INSERT THE SUPPLIED PLUGS INTO THE APPROPRIATE SIZED HOLES AS SPECIFIED IN THE INSTALLATION PROCESS.
 - (2) SEE MANUFACTURER'S INSTALLATION FOR ADDITIONAL INFORMATION.
 - (1) WRAP BRACKET LEGS AROUND ANTENNA BASE.

FIRST USED	07 R40TD	
TITLE	DO NOT SCALE DRAWING	
	WIRING INSTL-BODY, 12V	
SHEET 7	PART NO 160173	REV



4 TO SET THE "GEN TYPE", NAVIGATE TO THE "SETUP GENSET" DISPLAY AND PRESS "ENTER". "GENTYPE" WILL BE DISPLAYED. PRESS "SET" THE DISPLAY WILL FLASH. USE THE "UP/DOWN" KEY TO SELECT THE "GEN TYPE" AND PRESS "ENTER" WHEN THE "QD 7.5/8 TYPE IS DISPLAYED. THE "QD 7.5/8 IS NOW STORED IN PERMANENT MEMORY.

3 INSTALL GASKET ON BACK SIDE OF ONE PLACE INSTALLATION OF THERMOSTAT, MAKING SURE THAT THE GASKET COVERS AND SEALS THE HOLE THAT THE WIRES PASS THROUGH.

2 CONNECT CIRCUIT WB FROM COACH WIRING TO RED WIRE ON REMOTE PANEL.

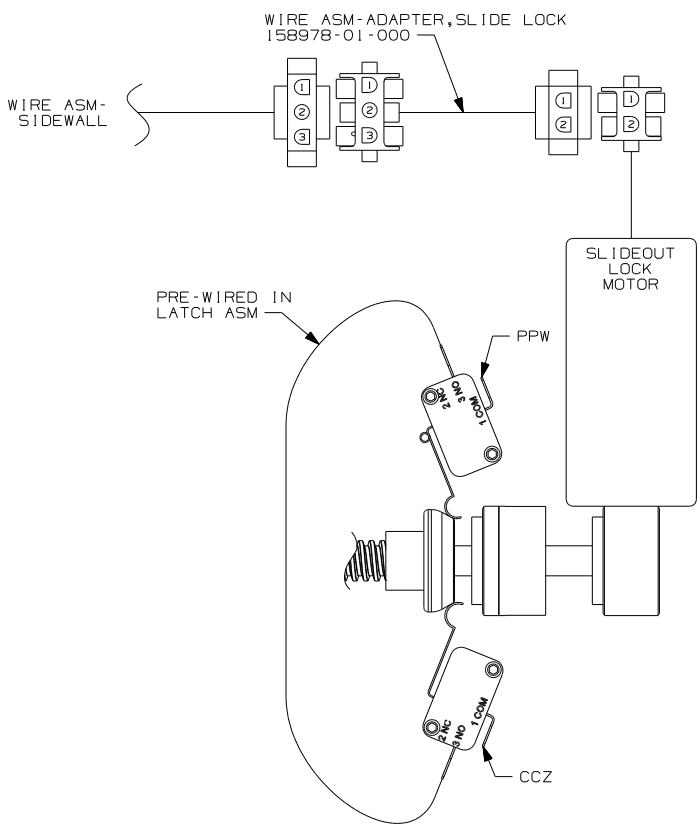
1 TIE BACK CIRCUIT JC.

NOTES:

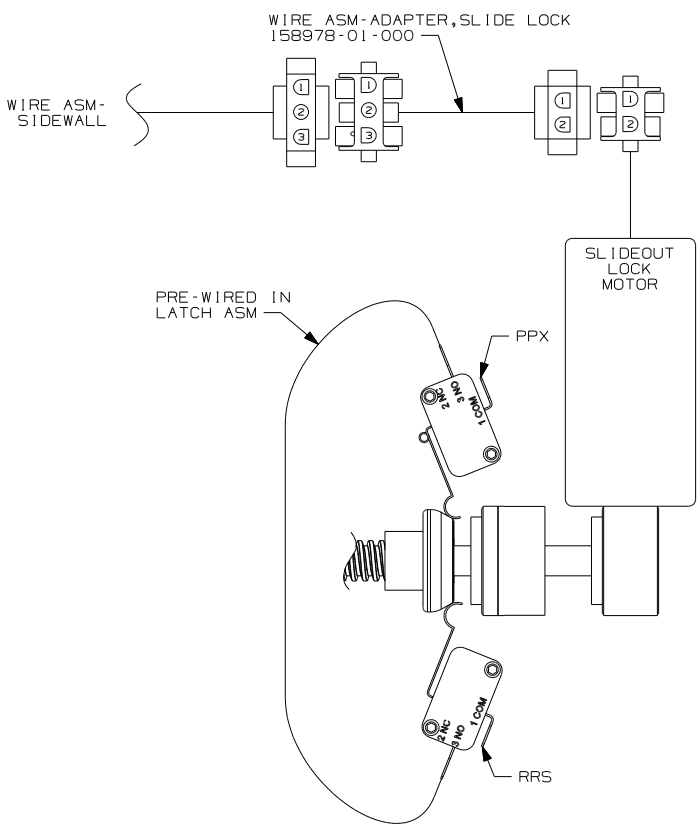
FOR ELECTRICAL TORQUE SPECIFICATIONS SEE DWG NO. 128783-01-000

(X-X) FOR ELECTRICAL CALLOUTS SEE DWG NO. 121339-01-000

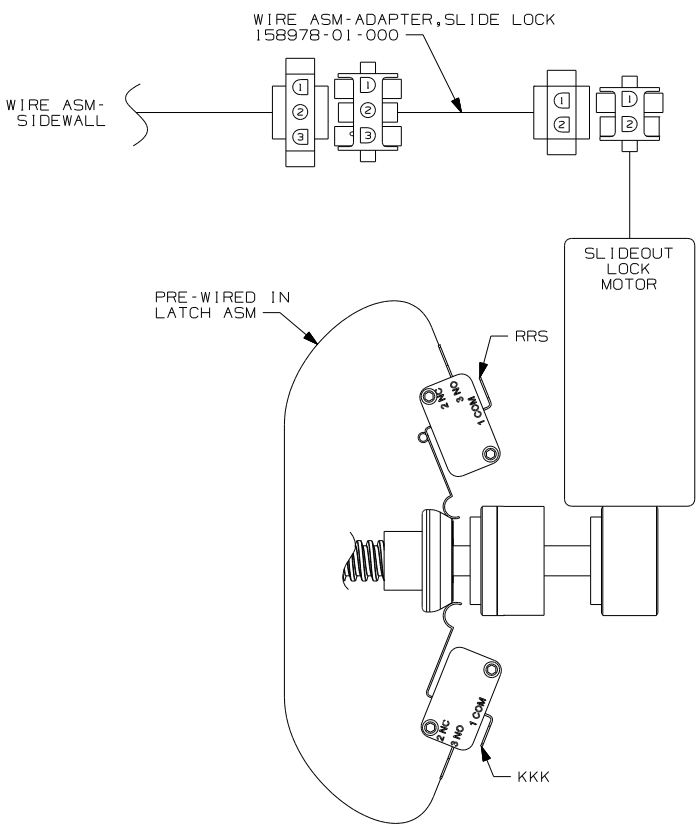
181	265
FIRST USED	
07 R40TD	
DO NOT SCALE DRAWING	
TITLE:	
WIRING INSTL-BODY, 12V	
SHEET 8	PART NO 160173
REV	



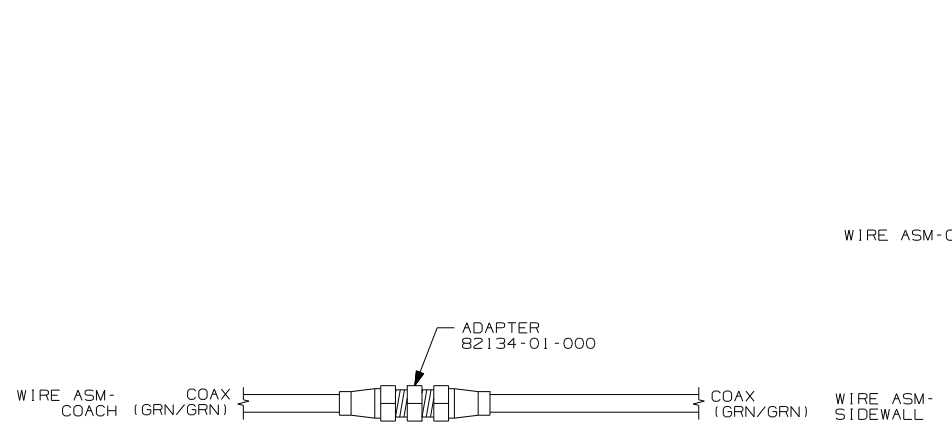
DETAIL JA



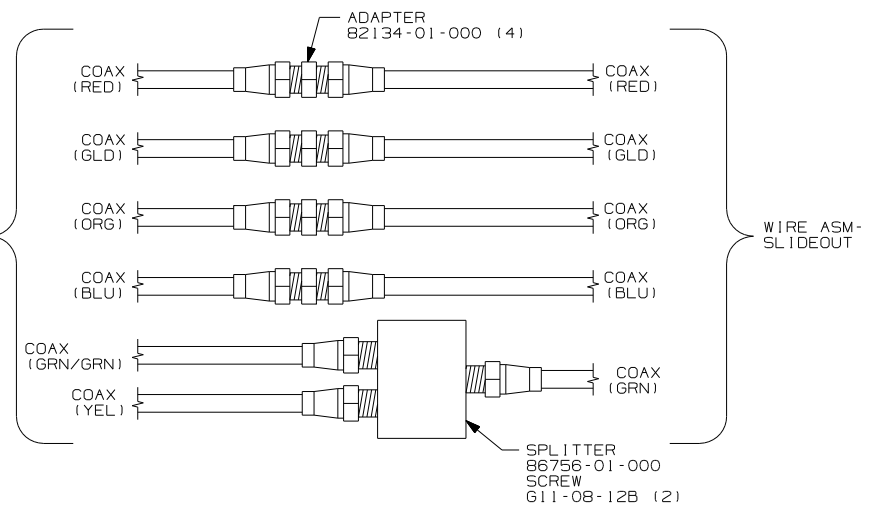
DETAIL JB



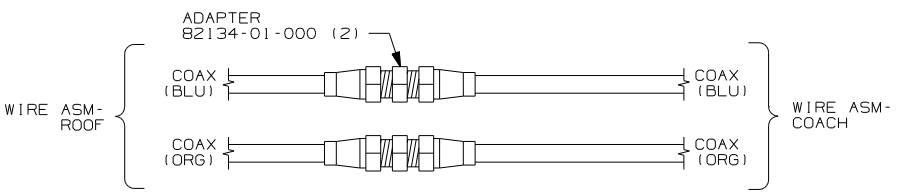
DETAIL JC



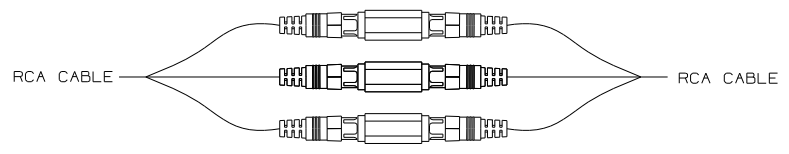
DETAIL JD



DETAIL JE



DETAIL JF



X-X
FOR ELECTRICAL CALLOUTS SEE DWG NO. 121339-01-000

FIRST USED	07 R40TD		
TITLE	DO NOT SCALE DRAWING		
	WIRING INSTL-BODY, 12V		
SHEET 9	PART NO	160173	REV