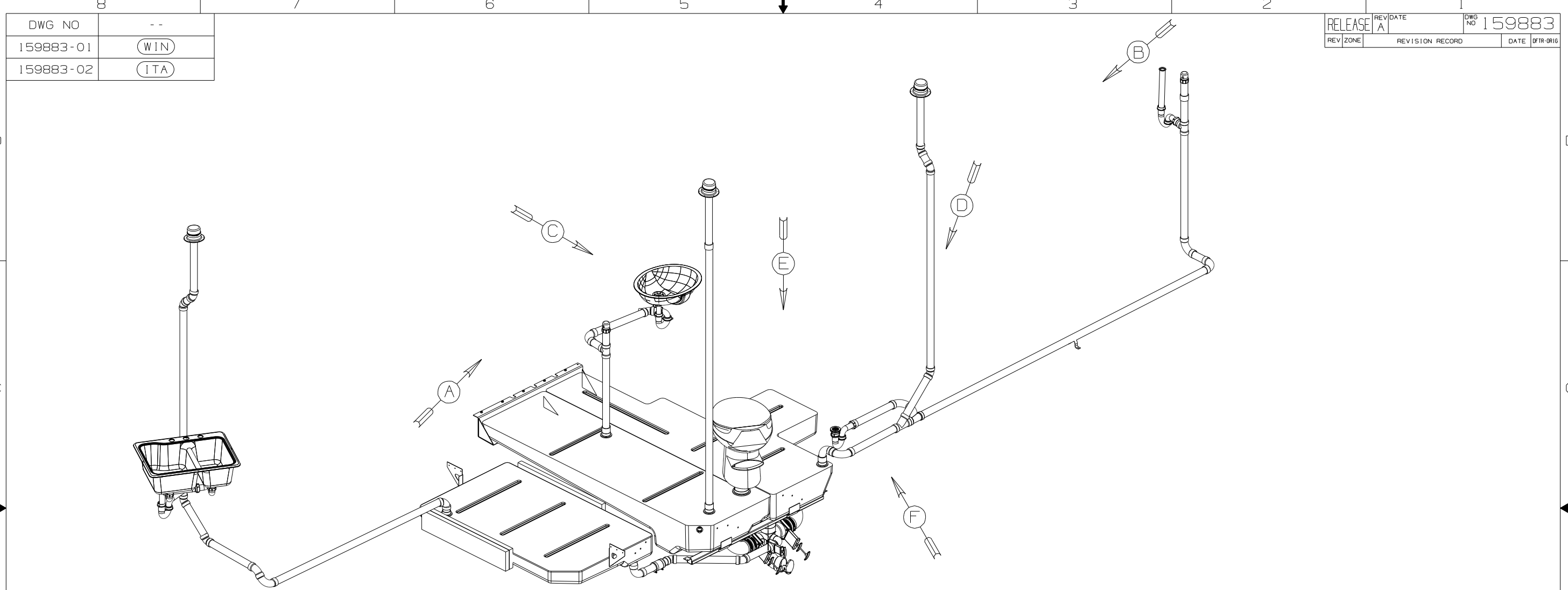


DWG NO	--
159883-01	(WIN)
159883-02	(ITA)

RELEASE	REV DATE	DWG NO	159883
REV ZONE	REVISION RECORD	DATE	DFTR-ORIG



FRONT OF COACH

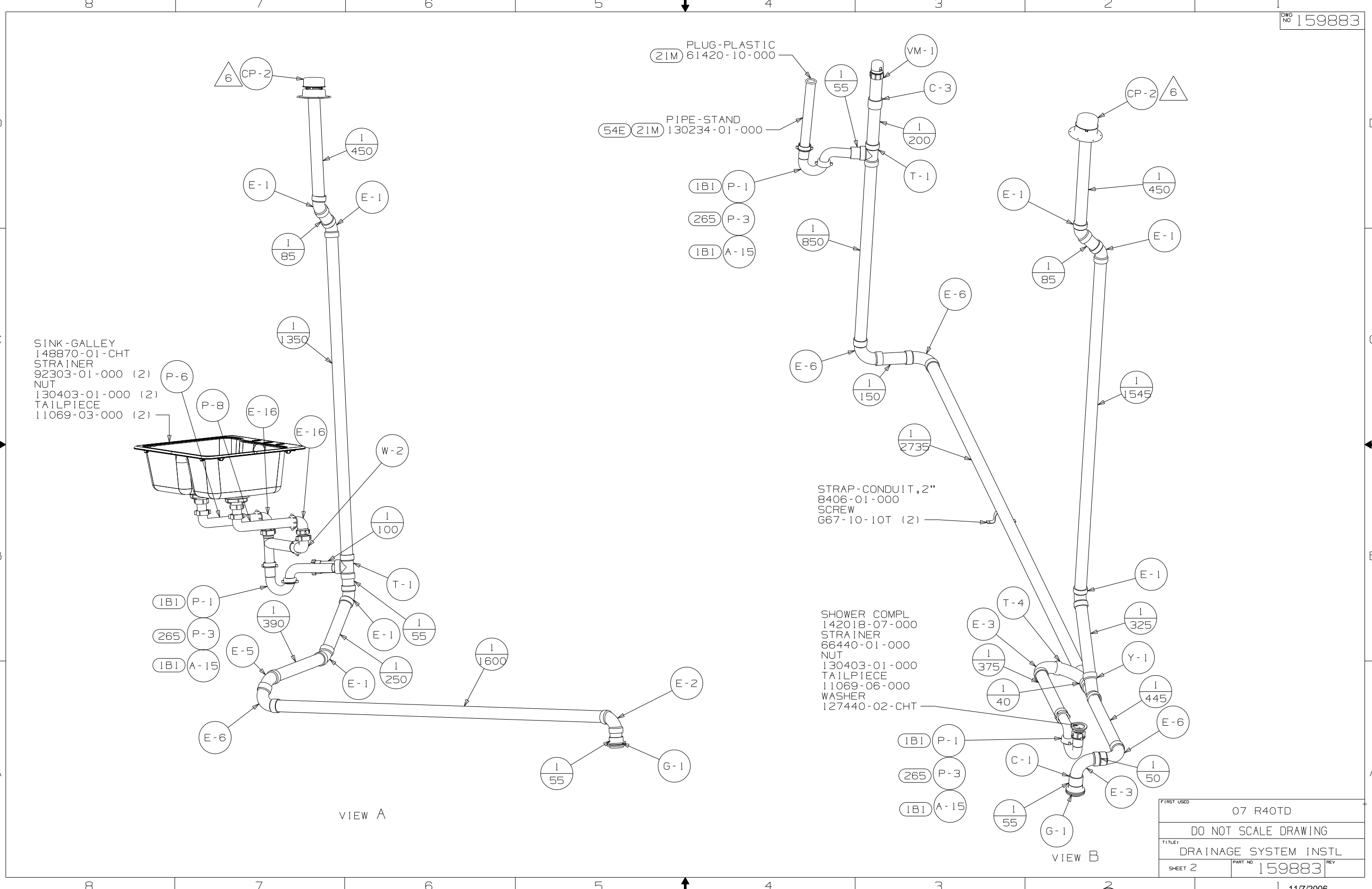
- (WIN) WINNEBAGO ONLY
- (ITA) ITASCA ONLY
- (IBI) CODES/STANDARDS USA
- (265) CODES/STDS-CSA, CMVSS
- (54E) WASHER DRYER
- (21M) WASHER/DRYER PREP

- 6 VENT PIPE MUST PROECT 51 MIN AND 64 MAX ABOVE ROOF FOR PROPER FIT AND FUNCTION.
5. SEAL AROUND SHOWER WITH SILICONE.
  4. ALL EXTERIOR OPENINGS AROUND PIPE TO BE SEALED WITH 110744-01-000.
  3. ALL PIPE AND FITTINGS TO BE ASSEMBLED WITH SOLVENT 4020-01-000 (US), 4020-02-000 (CAN).
  2. SLOPE OF TRAP ARM MUST BE 6 PER 305 mm.
  1. SLOPE OF HORIZONTAL PIPING TO BE MIN 3 PER 305 mm.

NOTES:

(X-X)  
FOR DRAINAGE CALLOUTS SEE DWG NO 116229-01-000

<b>WINNEBAGO</b>		COPYRIGHT 2006 WINNEBAGO INDUSTRIES, INC.	
DFTR	ORIG. DATE	ALL DIMENSIONS ARE IN MILLIMETERS	
CHKR		FIRST USED	
P.E.		07 R40TD	
M.E.		UNSPECIFIED TOLERANCES ARE:	
DSNR		MATERIAL:	
		WHOLE DIM (X)	: 3
		ONE-PLACE (X.X)	: 1.5
		TWO-PLACE (X.XX)	: 0.50
		ANGLE	: 1°
THIRD ANGLE PROJECTION		DO NOT SCALE DRAWING	
TITLE: DRAINAGE SYSTEM INSTL			
SHEET 1 OF 4	PART NO	159883	REV
REF:	1 11/7/2006		



SINK-GALLEY  
 148870-01-CHT  
 STRAINER  
 92303-01-000 (2)  
 NUT  
 130403-01-000 (2)  
 TAILPIECE  
 11069-03-000 (2)

PLUG-PLASTIC  
 (21M) 61420-10-000  
 PIPE-STAND  
 (54E) (21M) 130234-01-000

STRAP-CONDUIT, 2"  
 8406-01-000  
 SCREW  
 667-10-10T (2)

SHOWER COMPL  
 142018-07-000  
 STRAINER  
 66440-01-000  
 NUT  
 130403-01-000  
 TAILPIECE  
 11069-06-000  
 WASHER  
 127440-02-CHT

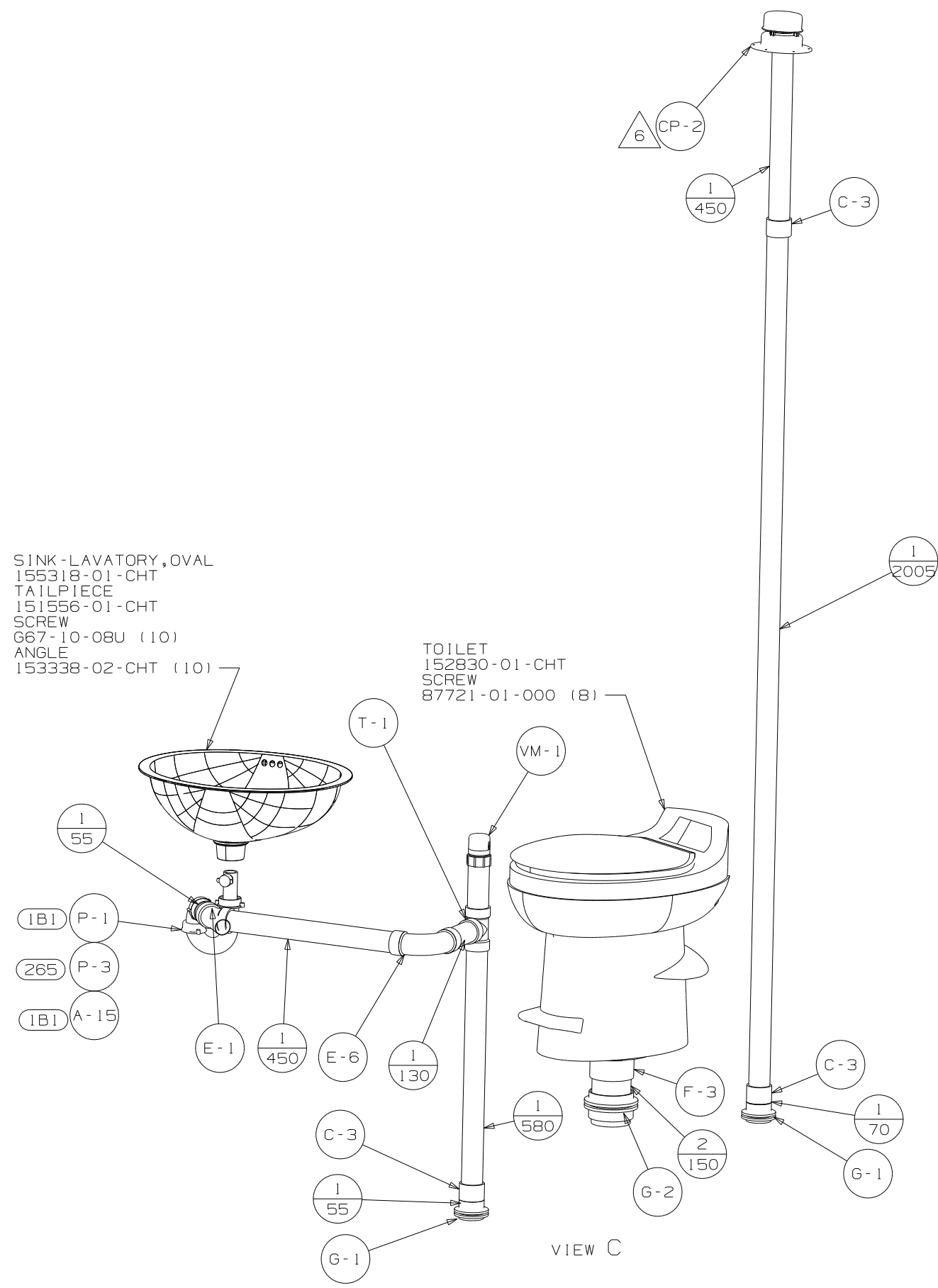
VIEW A

VIEW B

FIRST USED	07 R40TD	
TITLE	DO NOT SCALE DRAWING	
TITLE	DRAINAGE SYSTEM INSTL	
SHEET 2	PART NO	159883
	REV	

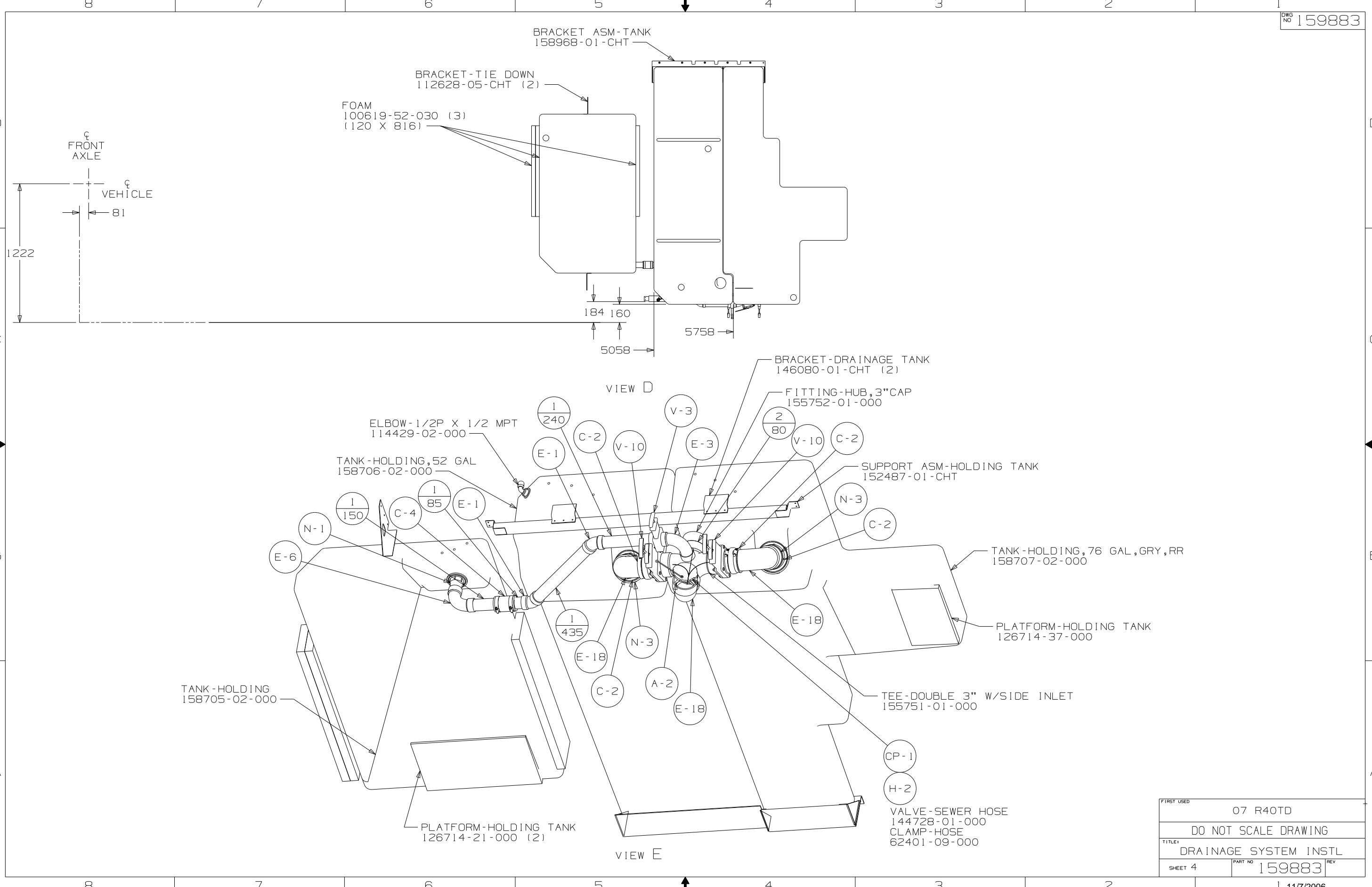
SINK - LAVATORY, OVAL  
155318-01-CHT  
TAILPIECE  
151556-01-CHT  
SCREW  
G67-10-08U (10)  
ANGLE  
153338-02-CHT (10)

TOILET  
152830-01-CHT  
SCREW  
87721-01-000 (8)



VIEW C

FIRST USED	07 R40TD	
TITLE	DO NOT SCALE DRAWING	
	DRAINAGE SYSTEM INSTL	
SHEET 3	PART NO 159883	REV



FRONT AXLE  
VEHICLE  
81

1222

184 160  
5058 5758

VIEW D

VIEW E

BRACKET-ASM-TANK  
158968-01-CHT

BRACKET-TIE DOWN  
112628-05-CHT (2)

FOAM  
100619-52-030 (3)  
(120 X 816)

BRACKET-DRAINAGE TANK  
146080-01-CHT (2)

FITTING-HUB, 3"CAP  
155752-01-000

ELBOW-1/2P X 1/2 MPT  
114429-02-000

TANK-HOLDING, 52 GAL  
158706-02-000

SUPPORT ASM-HOLDING TANK  
152487-01-CHT

TANK-HOLDING, 76 GAL, GRY, RR  
158707-02-000

PLATFORM-HOLDING TANK  
126714-37-000

TANK-HOLDING  
158705-02-000

TEE-DOUBLE 3" W/SIDE INLET  
155751-01-000

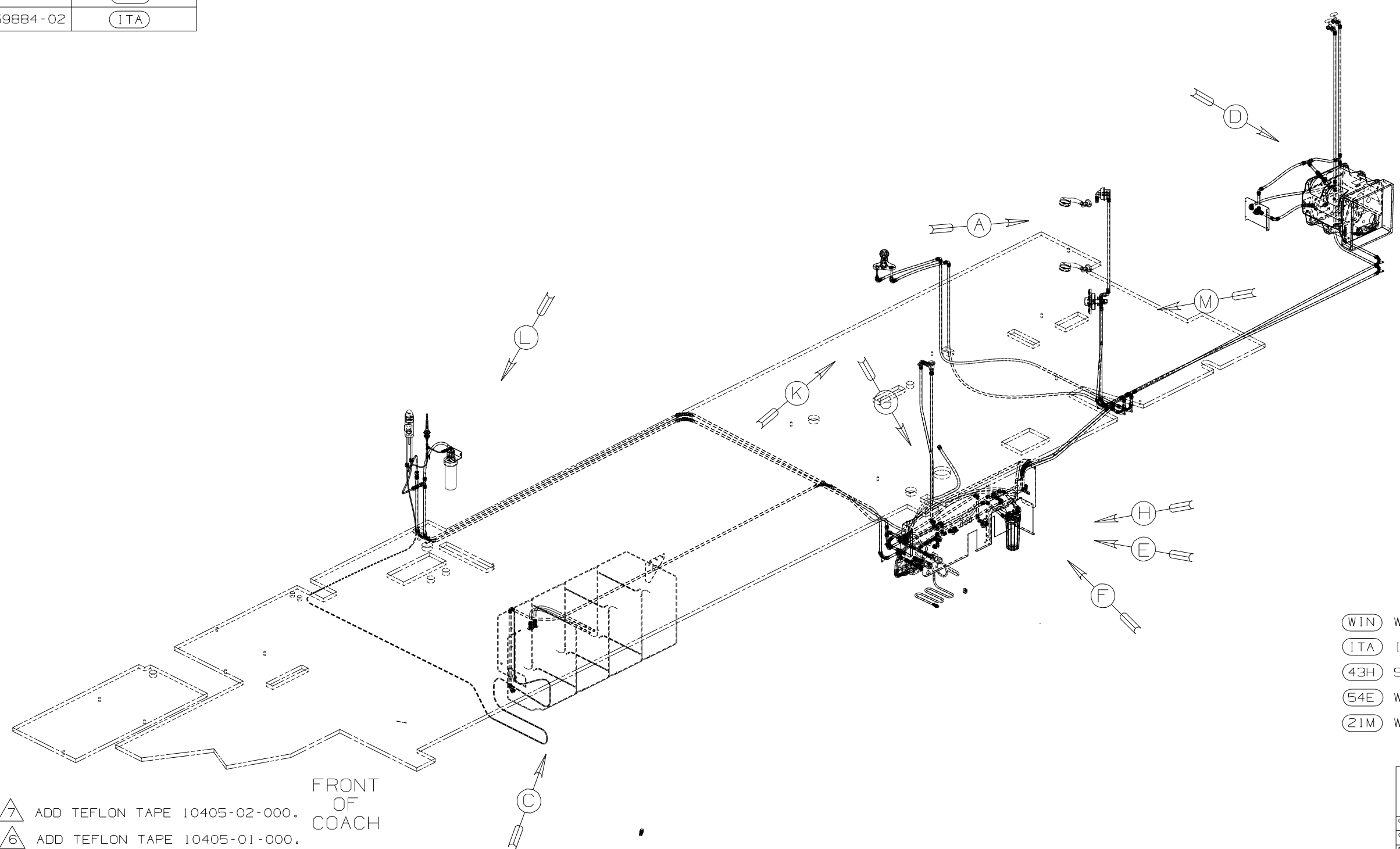
PLATFORM-HOLDING TANK  
126714-21-000 (2)

VALVE-SEWER HOSE  
144728-01-000  
CLAMP-HOSE  
62401-09-000

FIRST USED	07 R40TD	
TITLE	DO NOT SCALE DRAWING	
	DRAINAGE SYSTEM INSTL	
SHEET 4	PART NO 159883	REV

DWG NO	----
159884-01	(WIN)
159884-02	(ITA)

RELEASE	REV DATE	DWG NO
A		159884
REV ZONE	REVISION RECORD	DATE



- (WIN) WINNEBAGO ONLY
- (ITA) ITASCA ONLY
- (43H) SHOWER HEAD-HAND HELD
- (54E) WASHER/DRYER
- (21M) WASHER/DRYER PREP

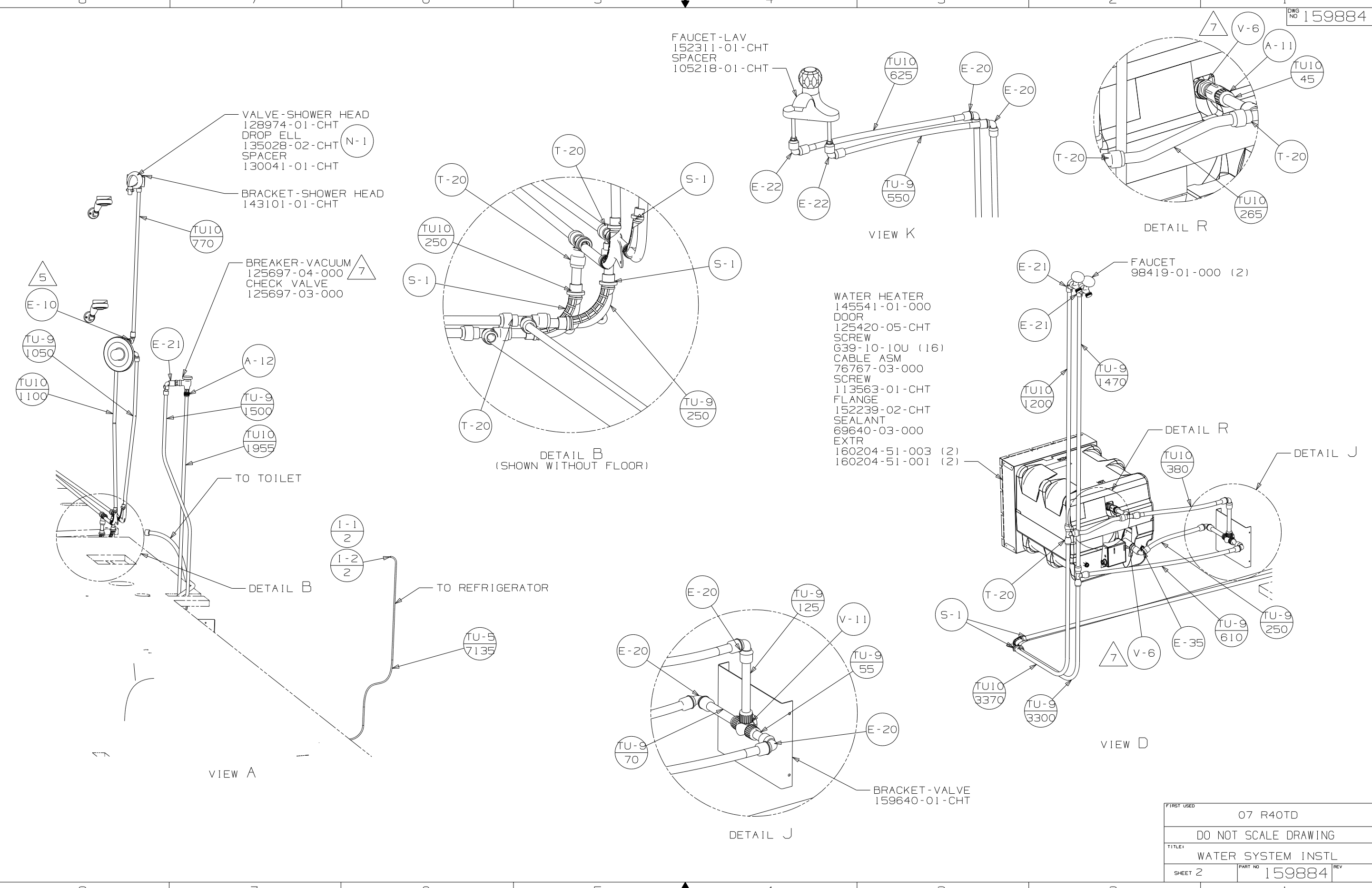
- FRONT OF COACH
- 7 ADD TEFLON TAPE 10405-02-000.
  - 6 ADD TEFLON TAPE 10405-01-000.
  - 5 ADD TEFLON TAPE 10405-03-000.
  - 4 FLUSHING SYSTEM REQUIRES 125697-06-000 INSTRUCTION SHEET.

- 3. ALL TUBING TO BE SECURED AT 1200 INTERVALS MAXIMUM WITH CLAMP 10495-01-000 OR CLIP 91951-01-000 AND SCREW G67-10-12B.
- 2. TUBING TO BE INSTALLED WITH SUFFICIENT SLOPE TO PROVIDE DRAINAGE TO NEAREST VALVE.
- 1. PLASTIC FITTINGS TO BE SEALED WITH SEALANT 84456-01-000.

NOTES:

(X-X)  
FOR WATER CALLOUTS SEE DWG NO 116230-01-000

<b>WINNEBAGO</b>		COPYRIGHT 2007 WINNEBAGO INDUSTRIES, INC.	
DFT	ORIG. DATE	ALL DIMENSIONS ARE IN MILLIMETERS	
CHKR		FIRST USED	
P.E.		07 R40TD	
M.E.		UNSPECIFIED TOLERANCES ARE:	
DSNR		MATERIAL:	
		WHOLE DIM (X)	: 7
		ONE-PLACE (X.X)	:
		TWO-PLACE (X.XX)	:
		ANGLE	:
		THIRD ANGLE PROJECTION	
DO NOT SCALE DRAWING			
TITLE: WATER SYSTEM INSTL			
SHEET 1 OF 5	PART NO	159884	REV



VALVE-SHOWER HEAD  
128974-01-CHT  
DROP ELL  
135028-02-CHT  
SPACER  
130041-01-CHT

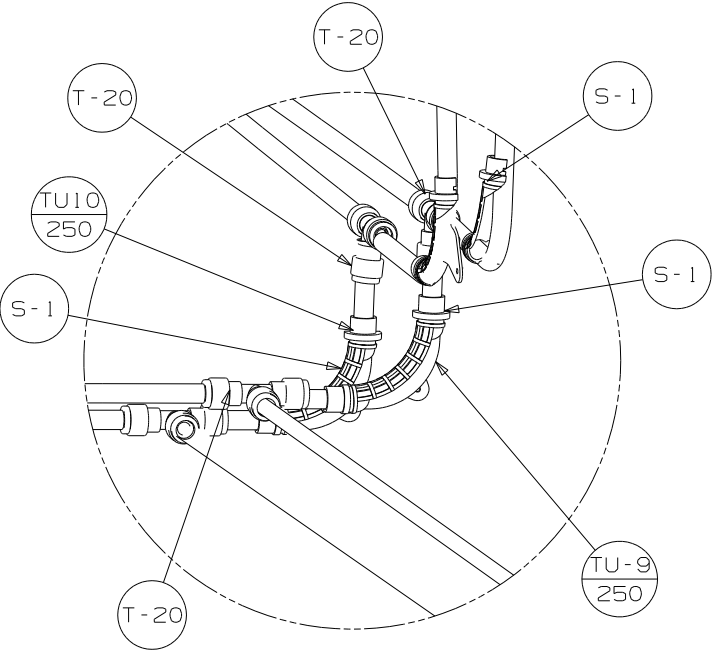
BRACKET-SHOWER HEAD  
143101-01-CHT

BREAKER-VACUUM  
125697-04-000  
CHECK VALVE  
125697-03-000

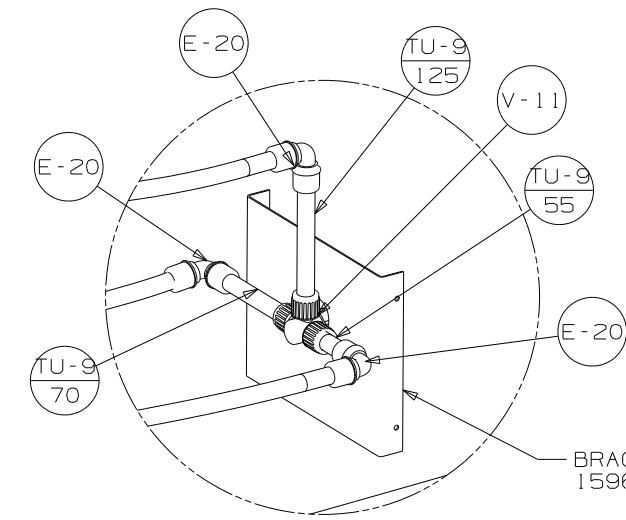
TO TOILET

TO REFRIGERATOR

VIEW A

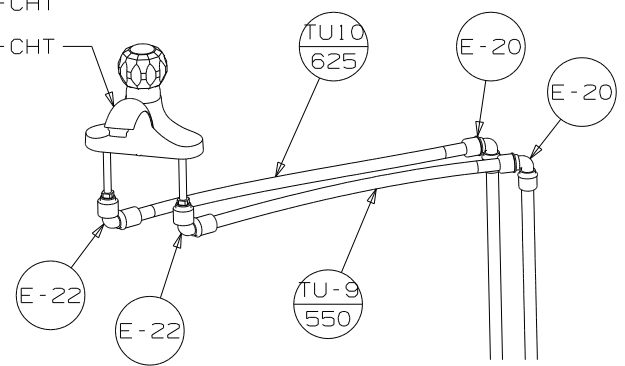


DETAIL B  
(SHOWN WITHOUT FLOOR)

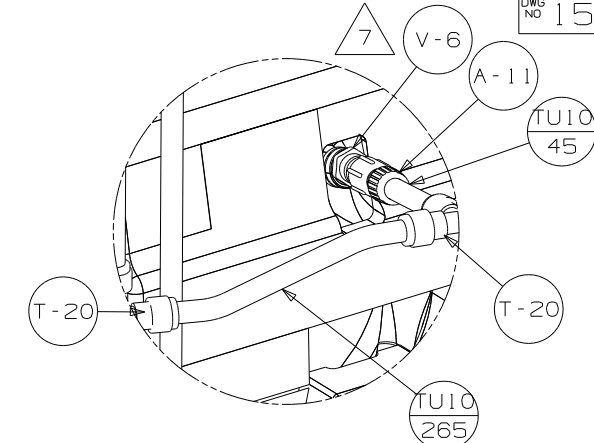


DETAIL J

FAUCET-LAV  
152311-01-CHT  
SPACER  
105218-01-CHT

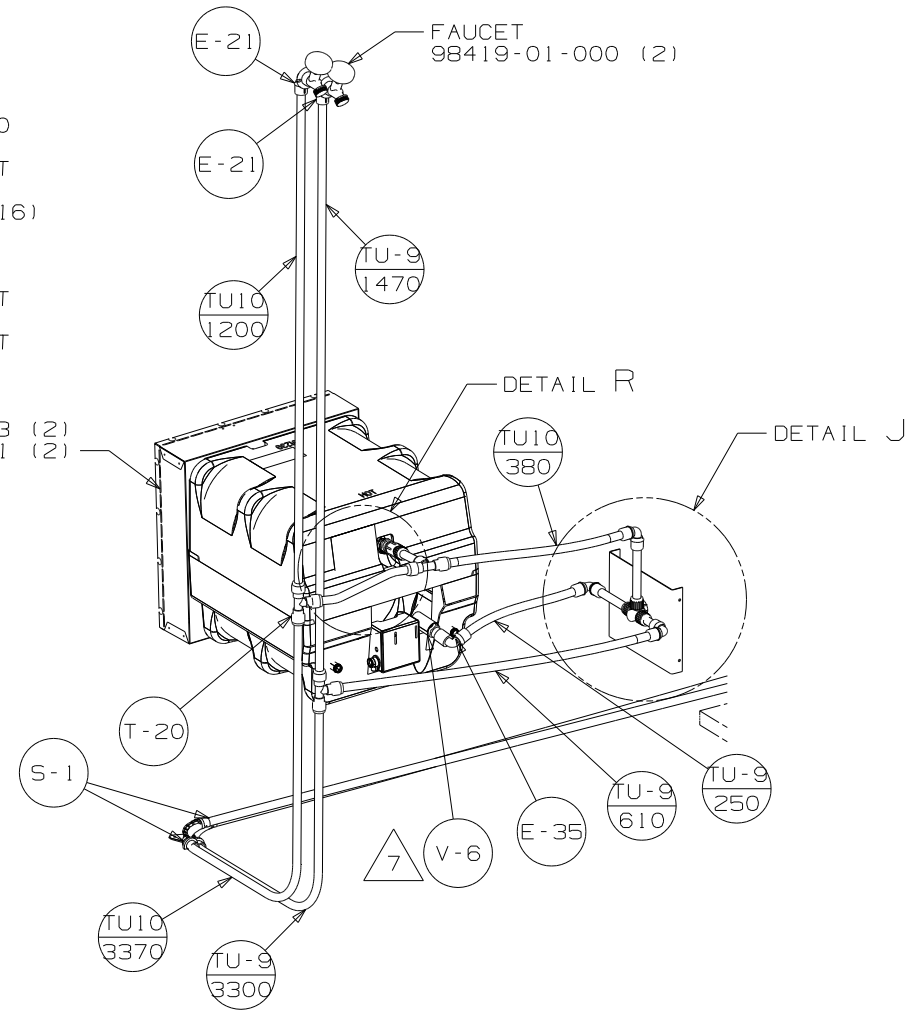


VIEW K



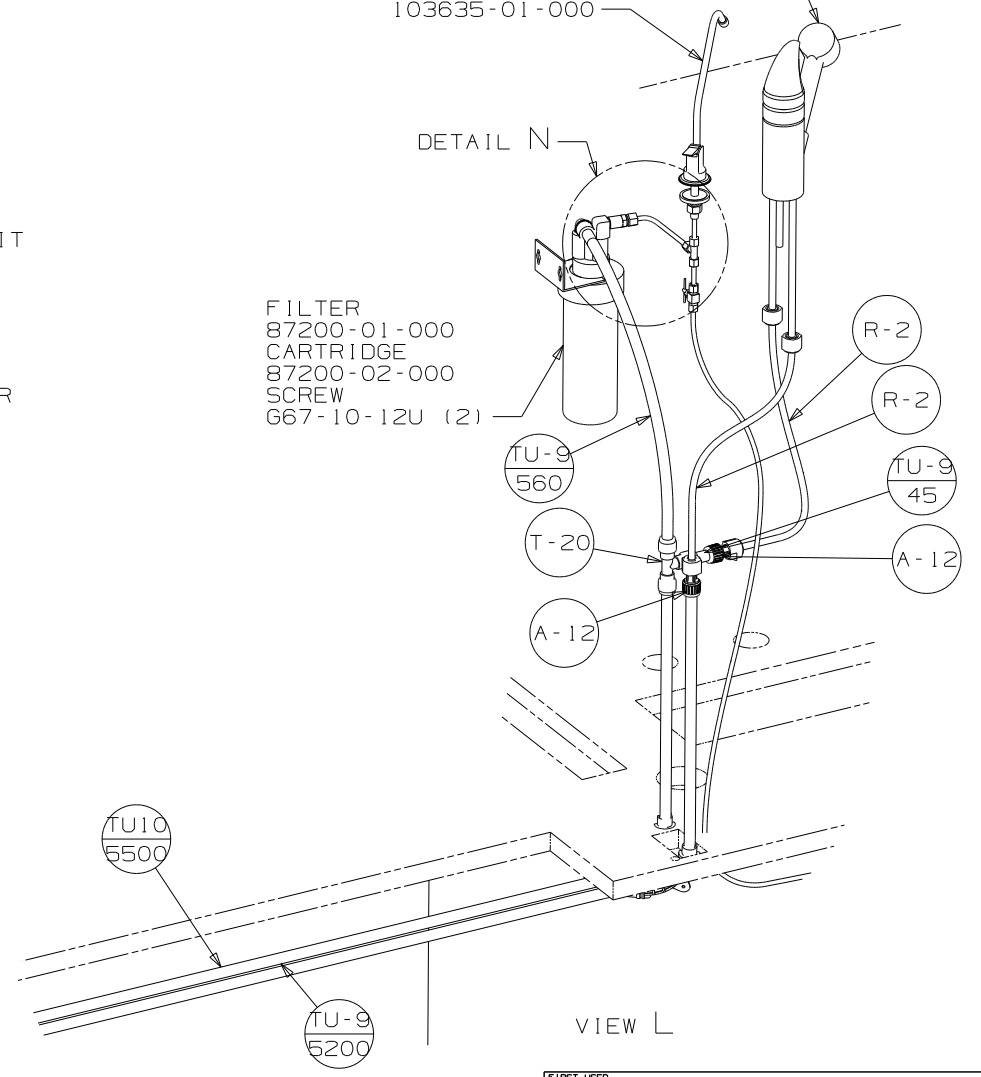
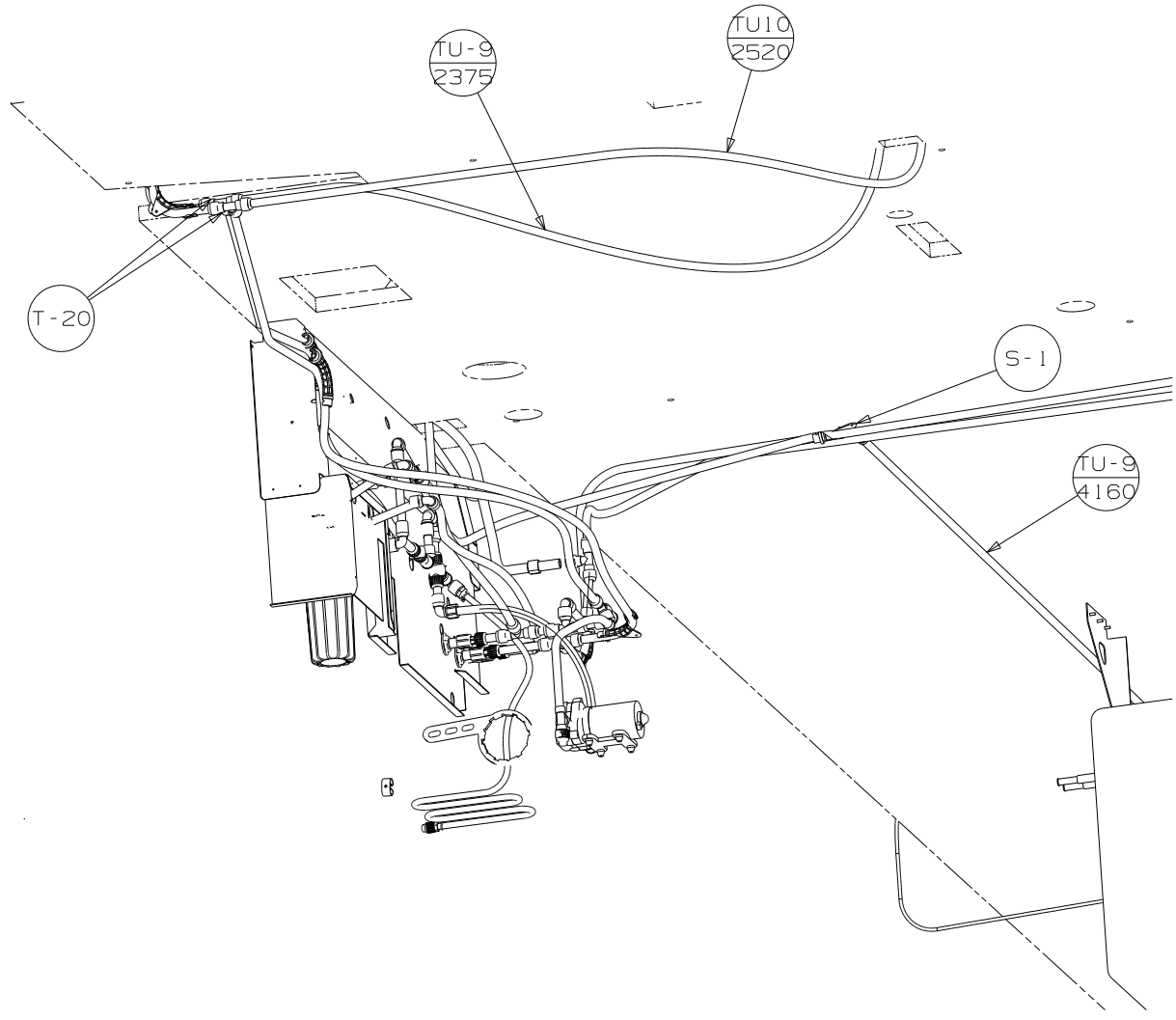
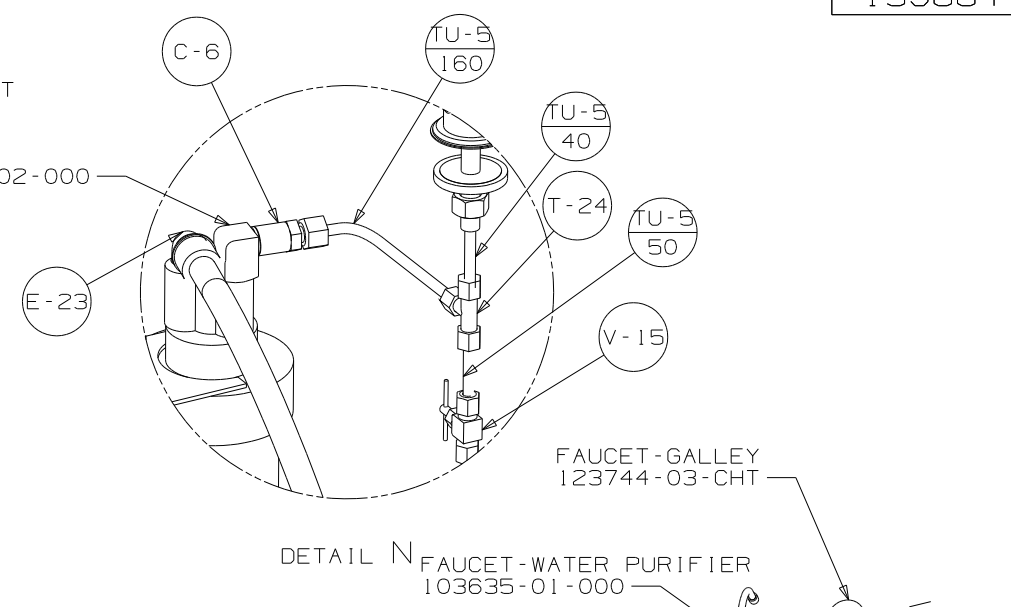
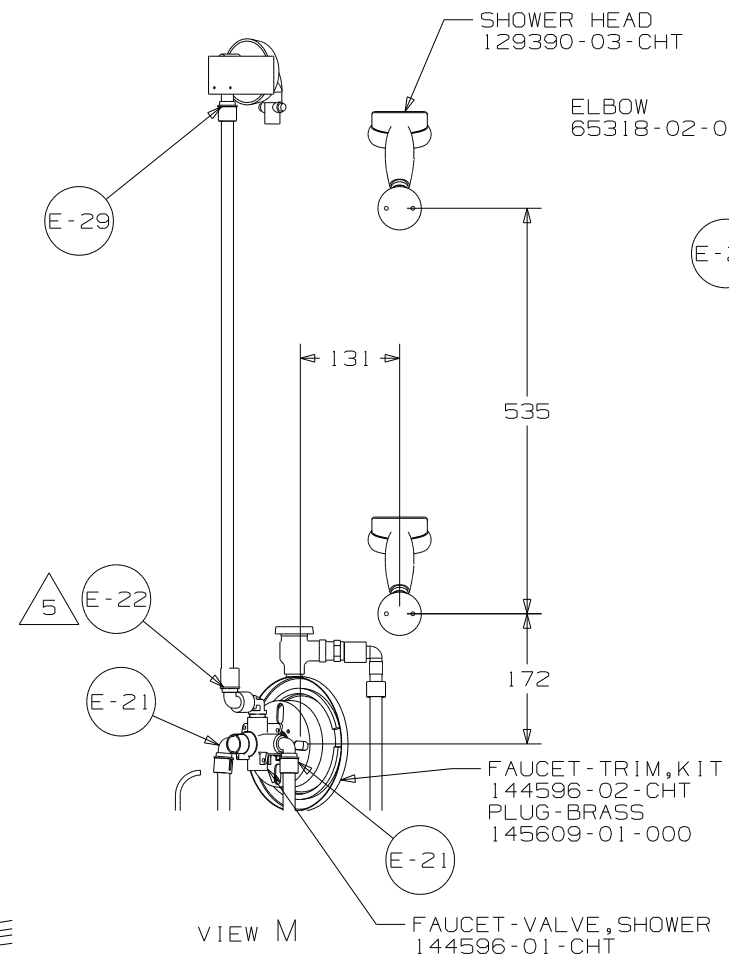
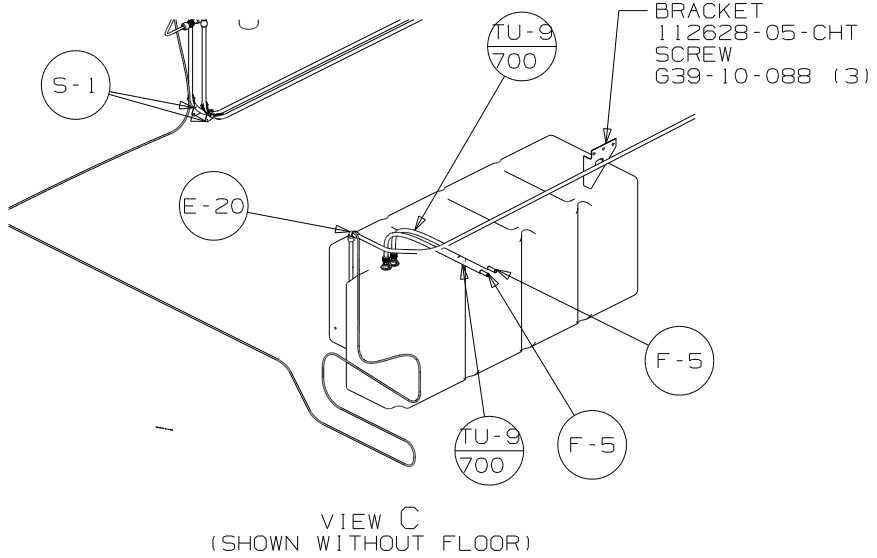
DETAIL R

WATER HEATER  
145541-01-000  
DOOR  
125420-05-CHT  
SCREW  
G39-10-10U (16)  
CABLE ASM  
76767-03-000  
SCREW  
113563-01-CHT  
FLANGE  
152239-02-CHT  
SEALANT  
69640-03-000  
EXTR  
160204-51-003 (2)  
160204-51-001 (2)



VIEW D

FIRST USED	07 R40TD	
TITLE	DO NOT SCALE DRAWING	
TITLE	WATER SYSTEM INSTL	
SHEET 2	PART NO	159884
	REV	1 1/12/2007



FIRST USED	07 R40TD	
TITLE	DO NOT SCALE DRAWING	
TITLE	WATER SYSTEM INSTL	
SHEET 3	PART NO	REV
	159884	

8

7

6

5

4

3

2

1

D

D

C

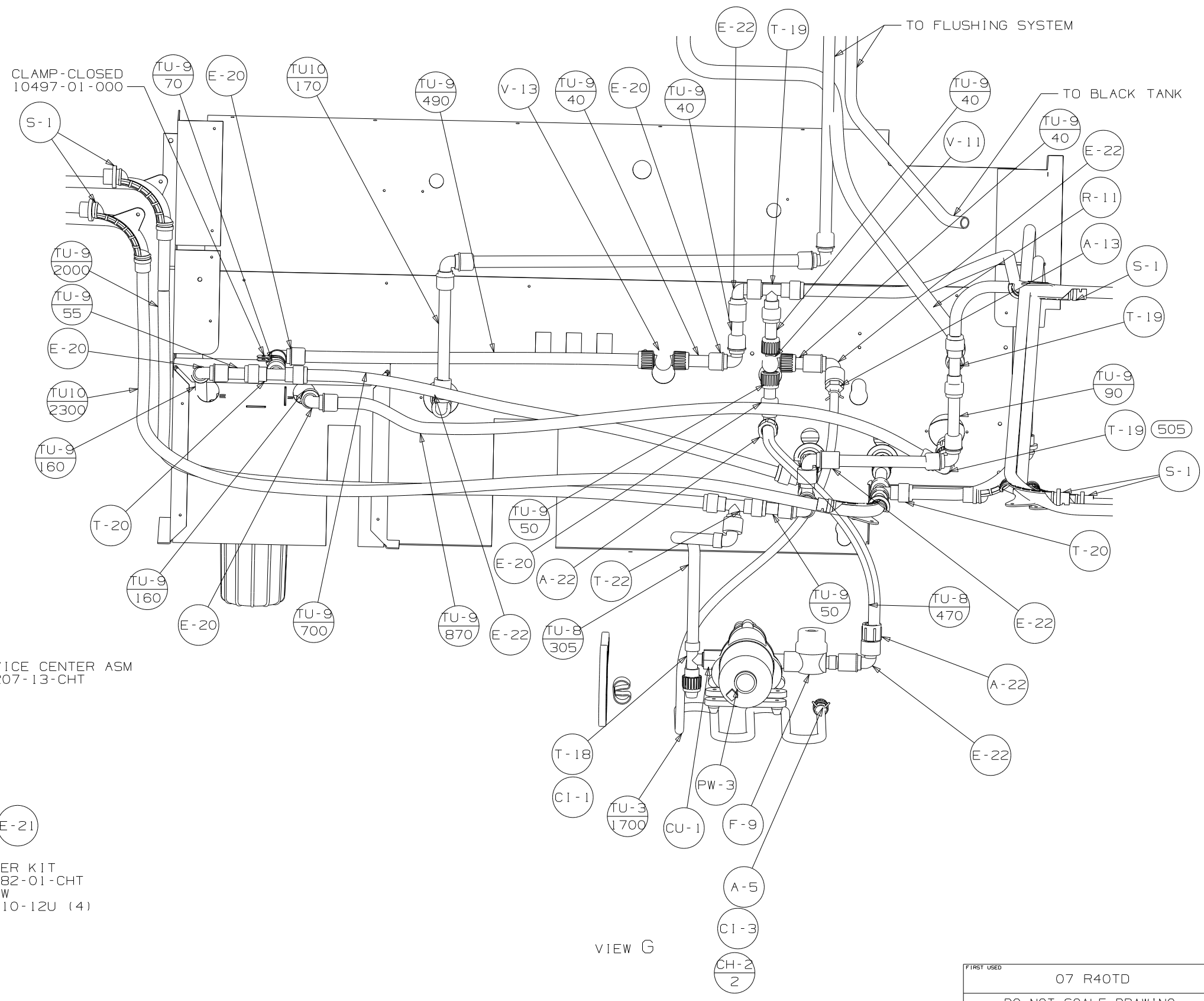
C

B

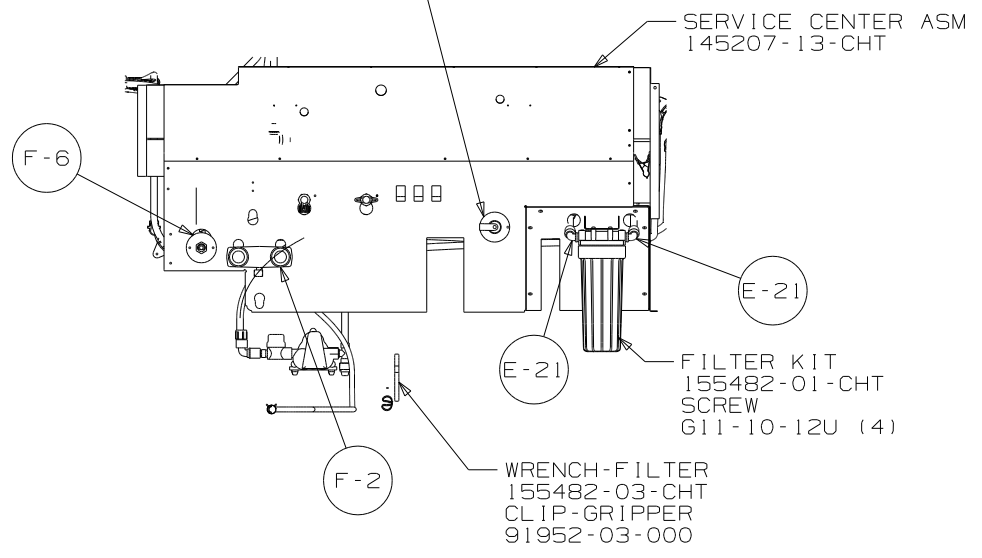
B

A

A



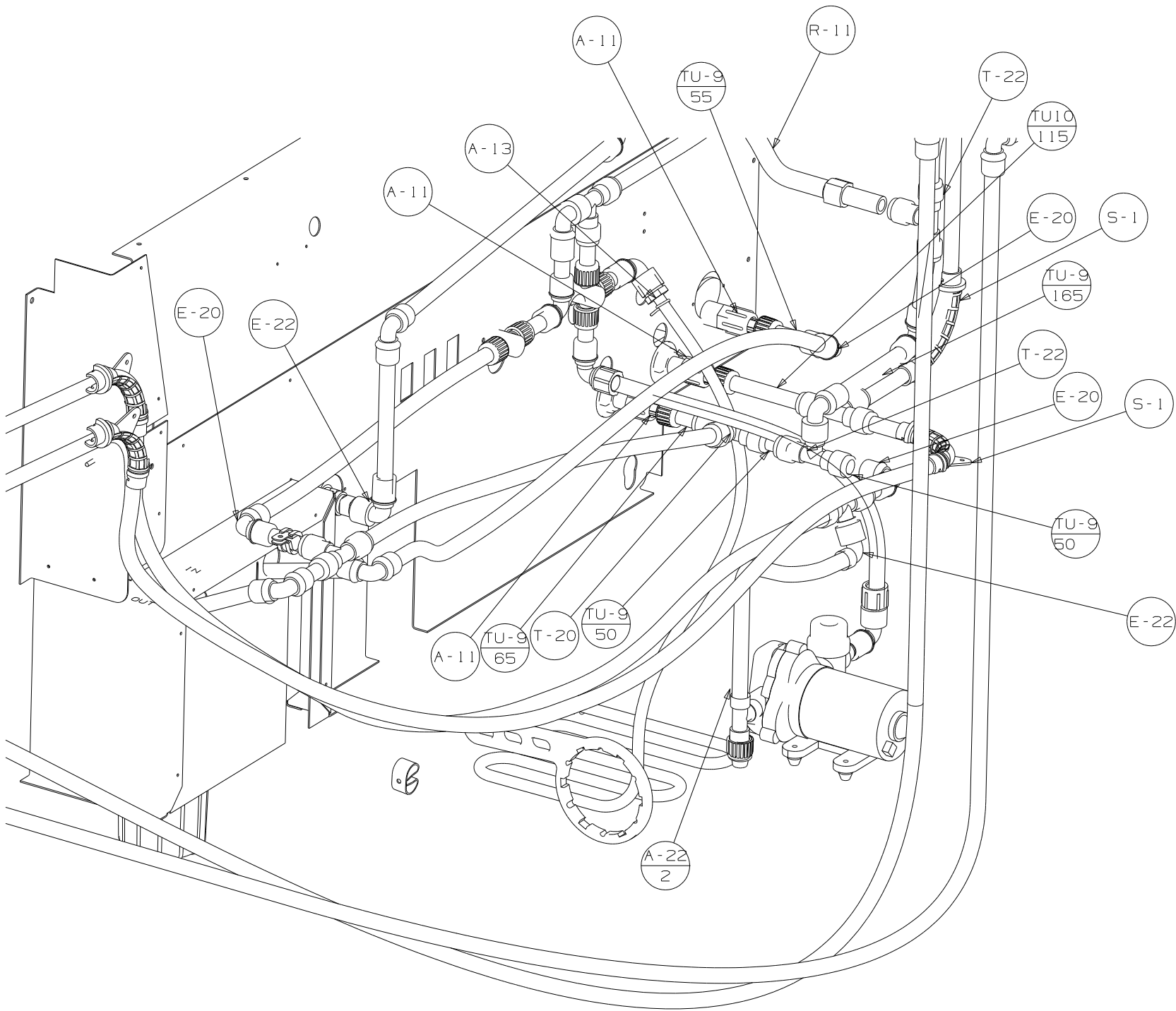
INLET-FLUSHING SYSTEM 125697-05-000



VIEW G

FIRST USED	07 R40TD
TITLE	DO NOT SCALE DRAWING
TITLE	WATER SYSTEM INSTL
SHEET 4	PART NO 159884 REV





VIEW H

FIRST USED	07 R40TD	
TITLE	DO NOT SCALE DRAWING	
	WATER SYSTEM INSTL	
SHEET 5	PART NO 159884	REV