



DANGER

Danger of electrical shock, burns or death. Always remove all power sources before attempting any repair, service or diagnostic work. Power can be present from shore power, generator, inverter or battery. All power sources must be disabled and secured before performing any service.

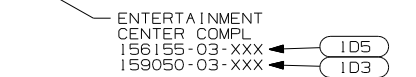
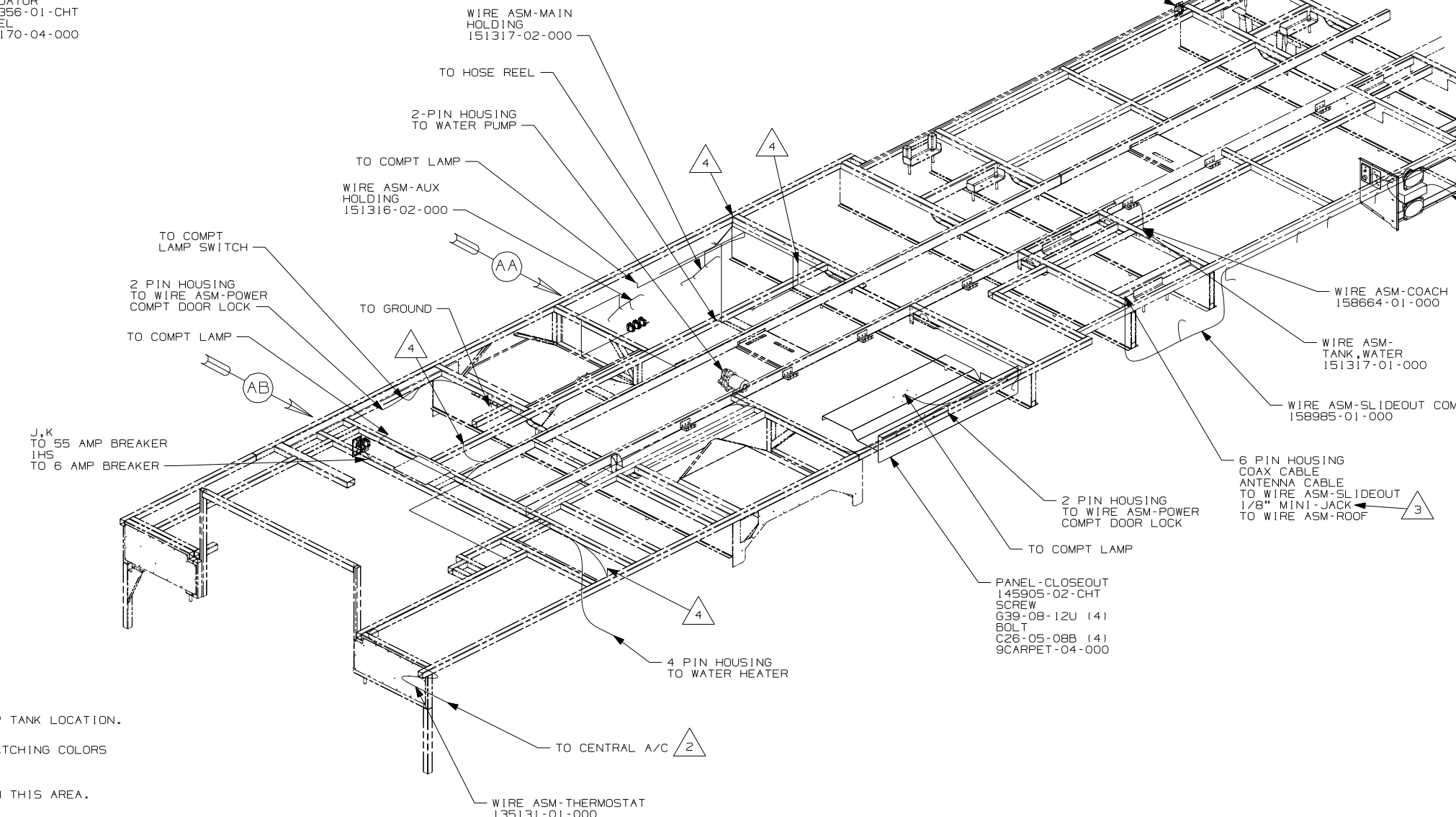
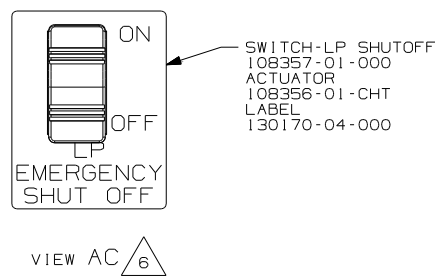
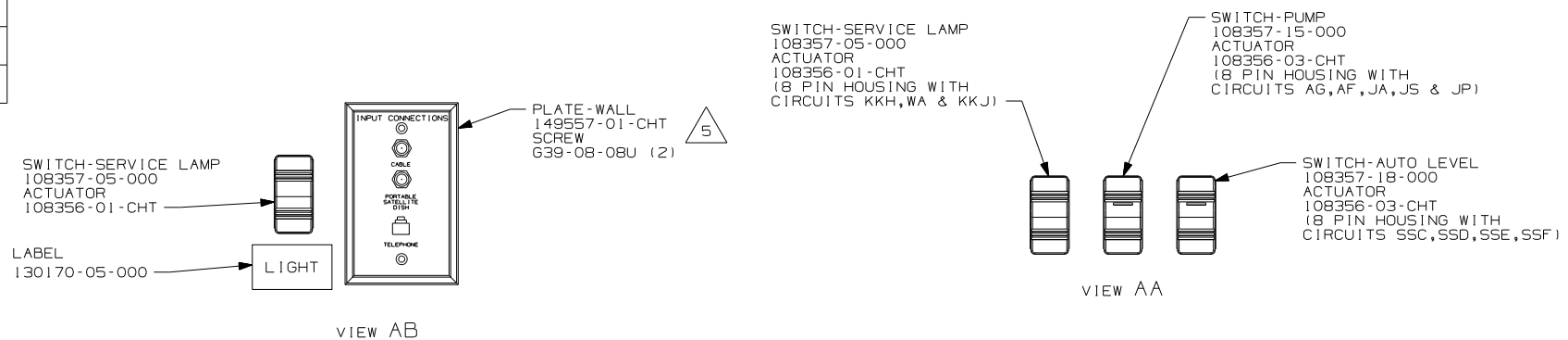


CAUTION

If you lack the skills, tools or equipment to perform diagnostic or repair work leave such work to an authorized Winnebago Industries dealer or other qualified shop.

DRAWING NO.	FEATURE
158659-01	(WIN)
158659-02	(ITA)

RELEASE	REV/DATE	DWG NO
	A	158659
REV ZONE	REVISION RECORD	DATE DFR-ORIG



- (ID5) ENTERTAINMENT CENTR/EXT W/CD
- (ID3) ENTERTAIN CENTR/EXT TV-DVD
- (ITA) ITASCA ONLY
- (WIN) WINNEBAGO ONLY
- (265) CODES/STANDARDS-CSA/CMVSS
- (1B1) CODES/STANDARDS USA
- (1B1) (265)

- △6 MOUNT SWITCH ACCORDING TO LP TANK LOCATION.
- △5 CONNECT TELEPHONE WIRE TO MATCHING COLORS ON PLATE-TELEPHONE.
- △4 WIRE PASSES UP THRU FLOOR IN THIS AREA.
- △3 ROUTE THRU SLIDEOUT ROOM & CONNECT TO WIRE ASM-ROOF NEAR WIRE ASM-COACH TO WIRE ASM-SLIDEOUT,RH FRT CONNECTIONS.
- △2 FOR MORE INFORMATION SEE A/C INSTL.

1. ALL WIRES TO BE SECURED WITH CLAMP 10495 OR 10497 OR WIRE TIE 8343 OR 108046 EVERY 600MM, USE SCREW G67-XX-XXX OR G56-XX-XXX AS APPROPRIATE FOR INTALLATION.

FOR ELECTRICAL TORQUE SPECIFICATIONS SEE DWG NO. 128783-01-000

(X-X) FOR ELECTRICAL CALLOUTS SEE DWG NO. 121339-01-000

WINNEBAGO COPYRIGHT 2006 WINNEBAGO INDUSTRIES, INC.

DFTR	ORIG. DATE
CHKR	ALL DIMENSIONS ARE IN MILLIMETERS
P.E.	
M.E.	FIRST USED
DSNR	07 R40KD

UNSPECIFIED TOLERANCES ARE: MATERIAL:

WHOLE DIM (X)	: 3
ONE-PLACE (X.X)	: 1.5
TWO-PLACE (X.XX)	: 0.50
ANGLE	: 1°

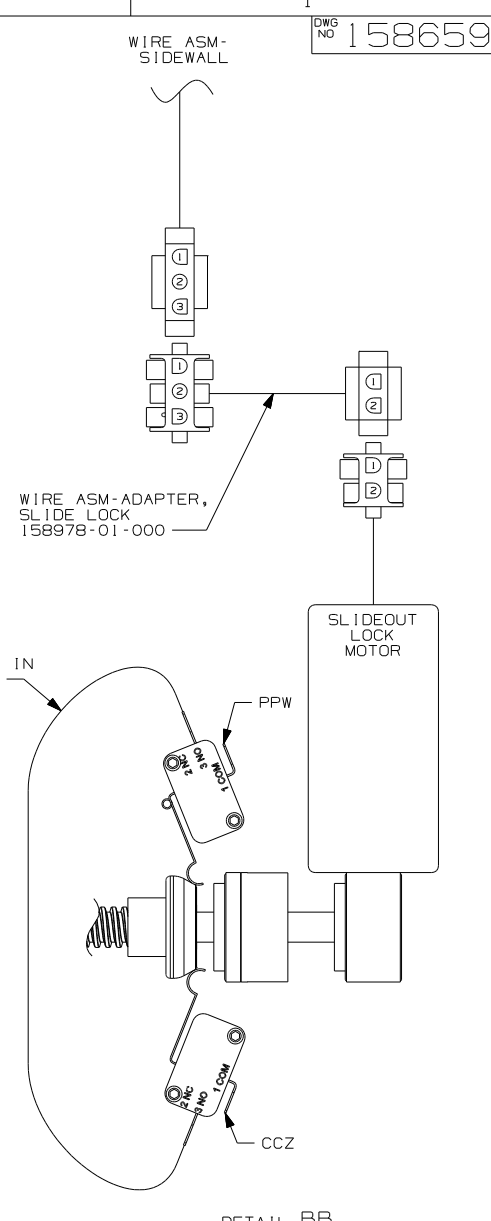
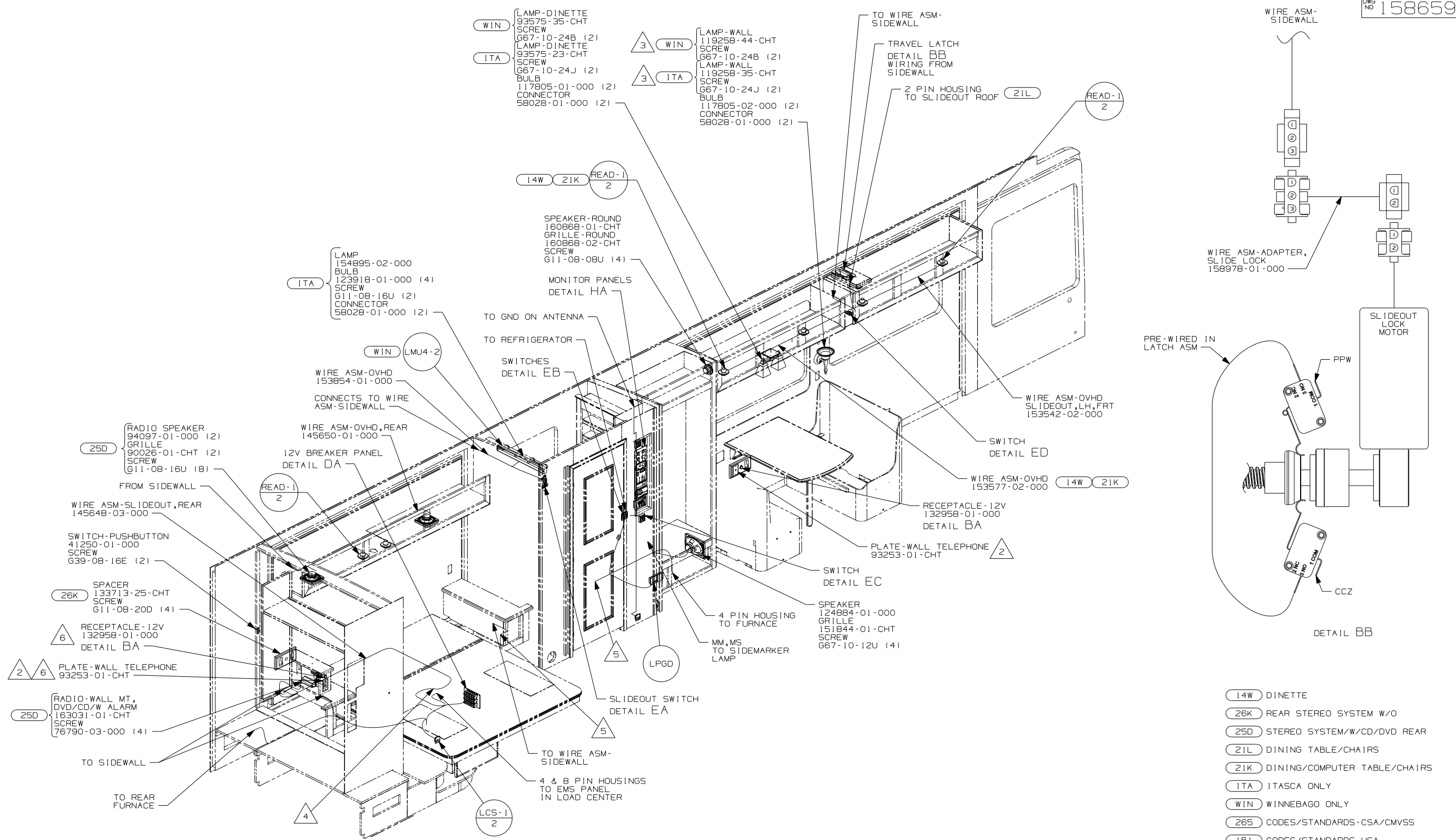
THIRD ANGLE PROJECTION

DO NOT SCALE DRAWING

TITLE: WIRING INSTL-BODY,12V

SHEET 1 OF 8 PART NO 158659 REV

REF: 1 1/16/2007



- (14W) DINETTE
- (26K) REAR STEREO SYSTEM W/O
- (25D) STEREO SYSTEM/W/CD/DVD REAR
- (21L) DINING TABLE/CHAIRS
- (21K) DINING/COMPUTER TABLE/CHAIRS
- (ITA) ITASCA ONLY
- (WIN) WINNEBAGO ONLY
- (265) CODES/STANDARDS-CSA/CMVSS
- (1B1) CODES/STANDARDS USA

NOTES:

3 MOUNT LAMP SO THE TOP OF THE SHADE IS 150MM FROM BOTTOM OF OVHD CABINET.

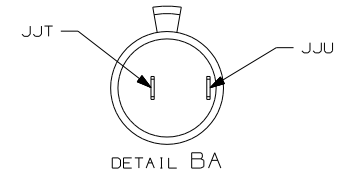
2 CONNECT TELEPHONE WIRES TO MATCHING COLORS ON PLATE TELEPHONE.

1. ALL WIRES TO BE SECURED WITH CLAMP 10495 OR 10497 OR WIRE TIE 8343 OR 108046 EVERY 600MM, USE SCREW G67-XX-XXX OR G56-XX-XXX AS APPROPRIATE FOR INTALLATION.

6 THIS COMPONENT MOVES TO SPACER WITH (26K)

5 WIRES PASS UP THRU FLOOR IN THIS AREA.

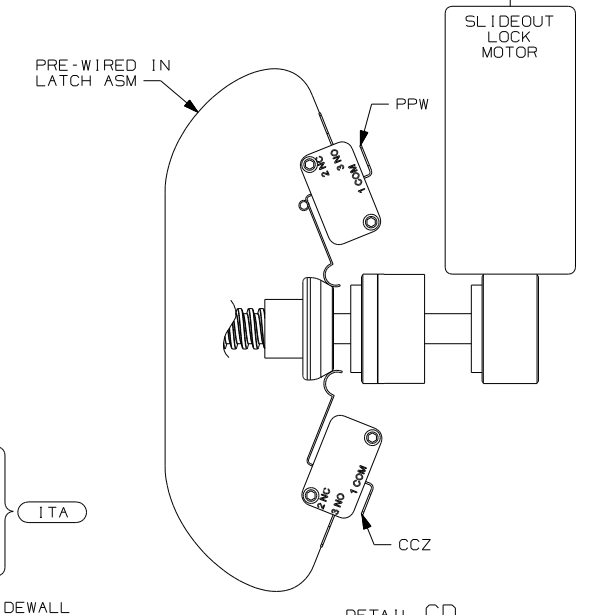
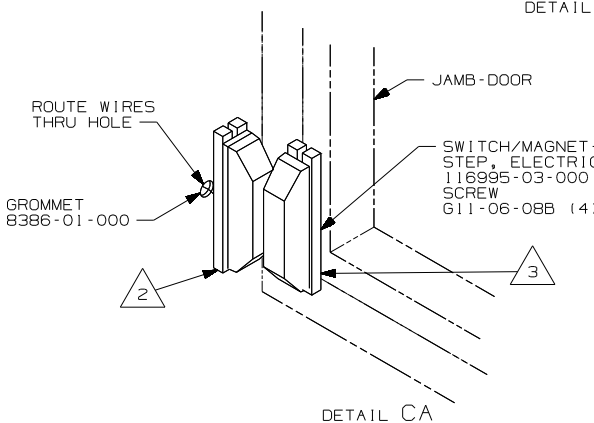
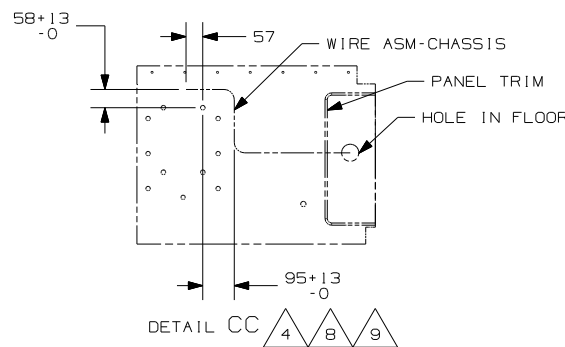
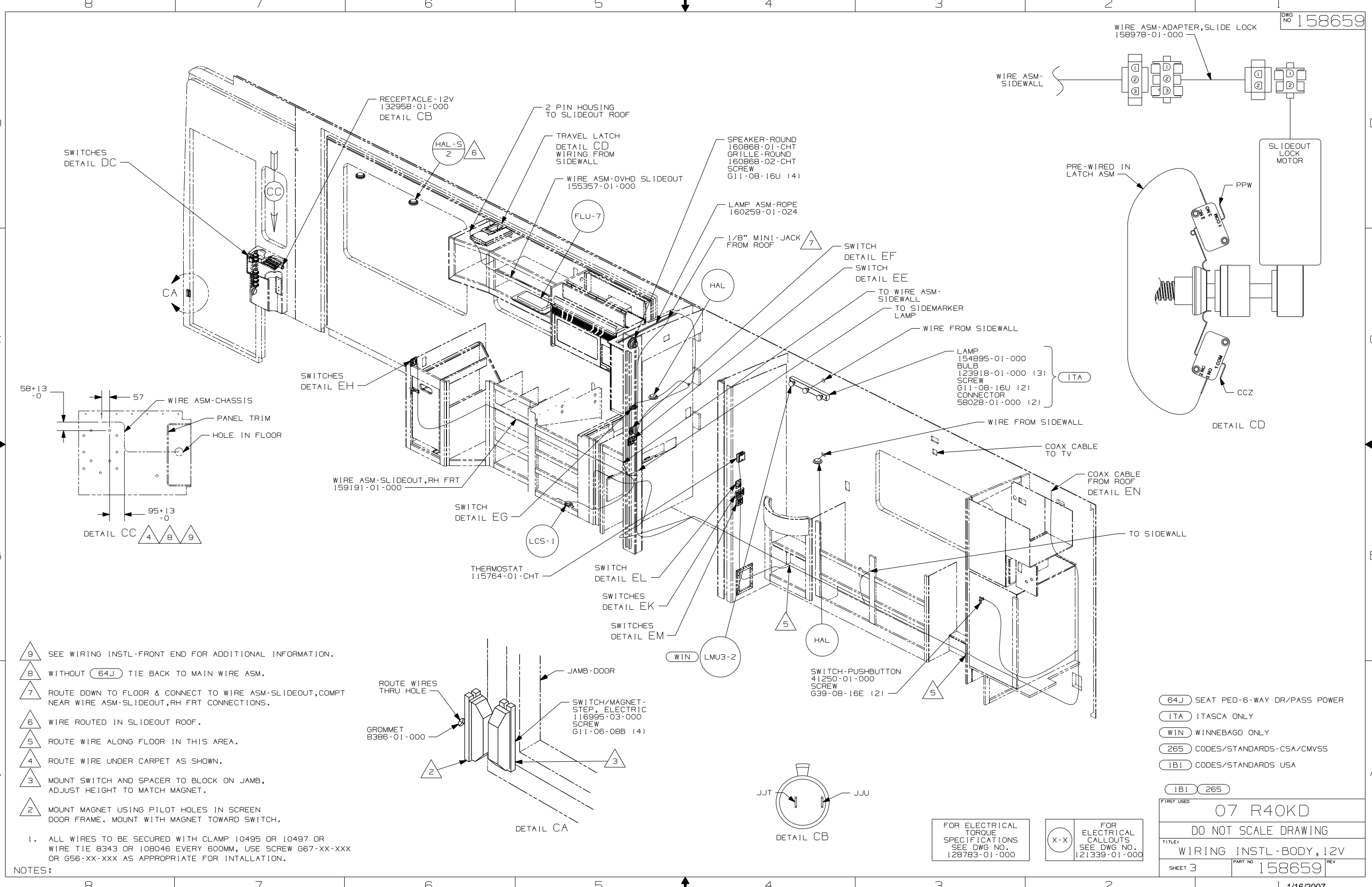
4 SEE WIRING INSTL-BODY,110V FOR ROUTING & CLAMPING INFORMATION.



FOR ELECTRICAL TORQUE SPECIFICATIONS SEE DWG NO. 128783-01-000

(X-X) FOR ELECTRICAL CALLOUTS SEE DWG NO. 121339-01-000

FIRST USED	07 R40KD
TITLE:	DO NOT SCALE DRAWING
WIRING INSTL-BODY, 12V	
SHEET 2	PART NO 158659 REV



- 9 SEE WIRING INSTL-FRONT END FOR ADDITIONAL INFORMATION.
- 8 WITHOUT (64J) TIE BACK TO MAIN WIRE ASM.
- 7 ROUTE DOWN TO FLOOR & CONNECT TO WIRE ASM-SLIDEOUT,COMPFT NEAR WIRE ASM-SLIDEOUT,RH FRT CONNECTIONS.
- 6 WIRE ROUTED IN SLIDEOUT ROOF.
- 5 ROUTE WIRE ALONG FLOOR IN THIS AREA.
- 4 ROUTE WIRE UNDER CARPET AS SHOWN.
- 3 MOUNT SWITCH AND SPACER TO BLOCK ON JAMB, ADJUST HEIGHT TO MATCH MAGNET.
- 2 MOUNT MAGNET USING PILOT HOLES IN SCREEN DOOR FRAME. MOUNT WITH MAGNET TOWARD SWITCH.

NOTES:

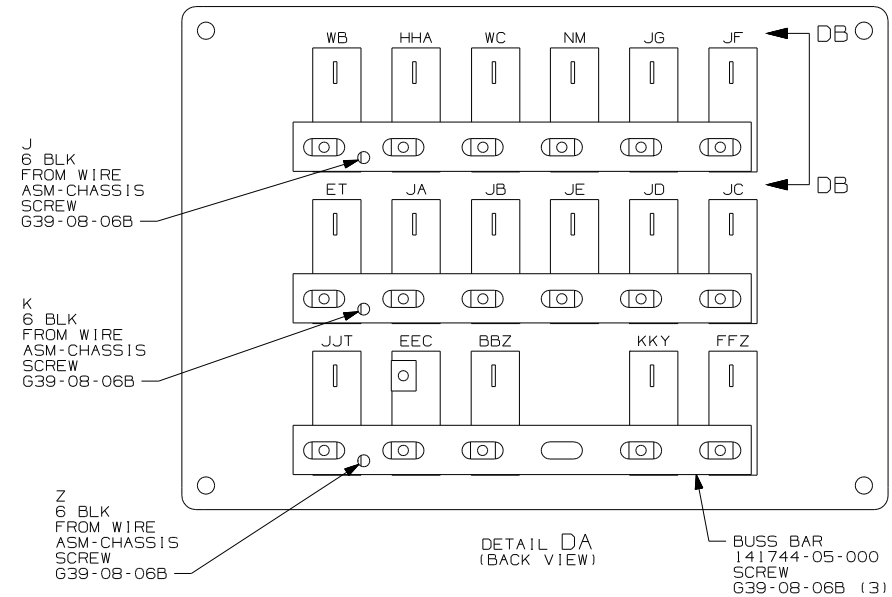
1. ALL WIRES TO BE SECURED WITH CLAMP 10495 OR 10497 OR WIRE TIE 8343 OR 108046 EVERY 600MM, USE SCREW G67-XX-XXX OR G56-XX-XXX AS APPROPRIATE FOR INTALLATION.

- (64J) SEAT PED-6-WAY DR/PASS POWER
- (ITA) ITASCA ONLY
- (WIN) WINNEBAGO ONLY
- (265) CODES/STANDARDS-CSA/CMVSS
- (1B1) CODES/STANDARDS USA

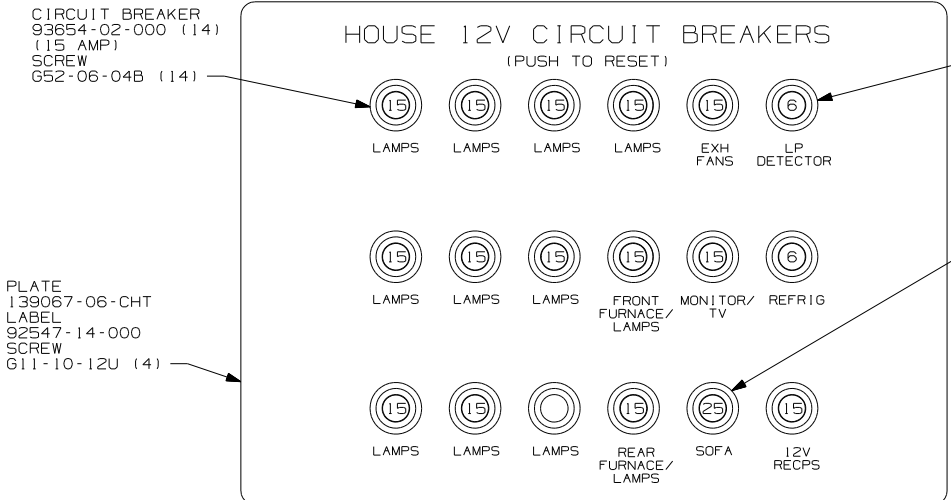
FIRST USED	07 R40KD
DO NOT SCALE DRAWING	
TITLE:	WIRING INSTL-BODY, 12V
SHEET 3	PART NO 158659 REV

FOR ELECTRICAL TORQUE SPECIFICATIONS SEE DWG NO. 128783-01-000

FOR ELECTRICAL CALLOUTS SEE DWG NO. 121339-01-000



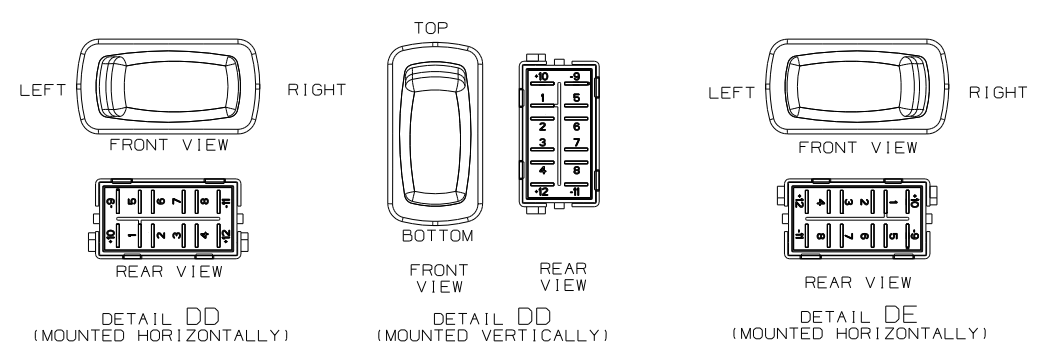
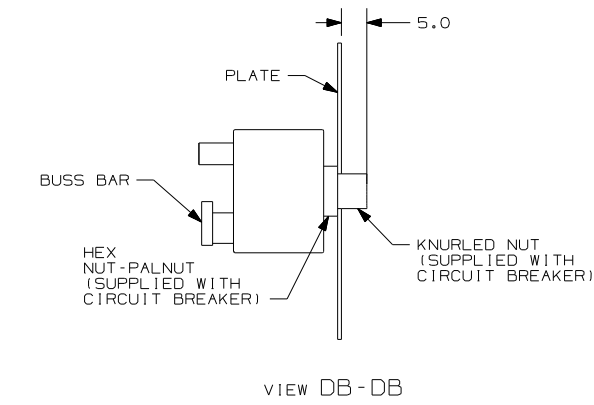
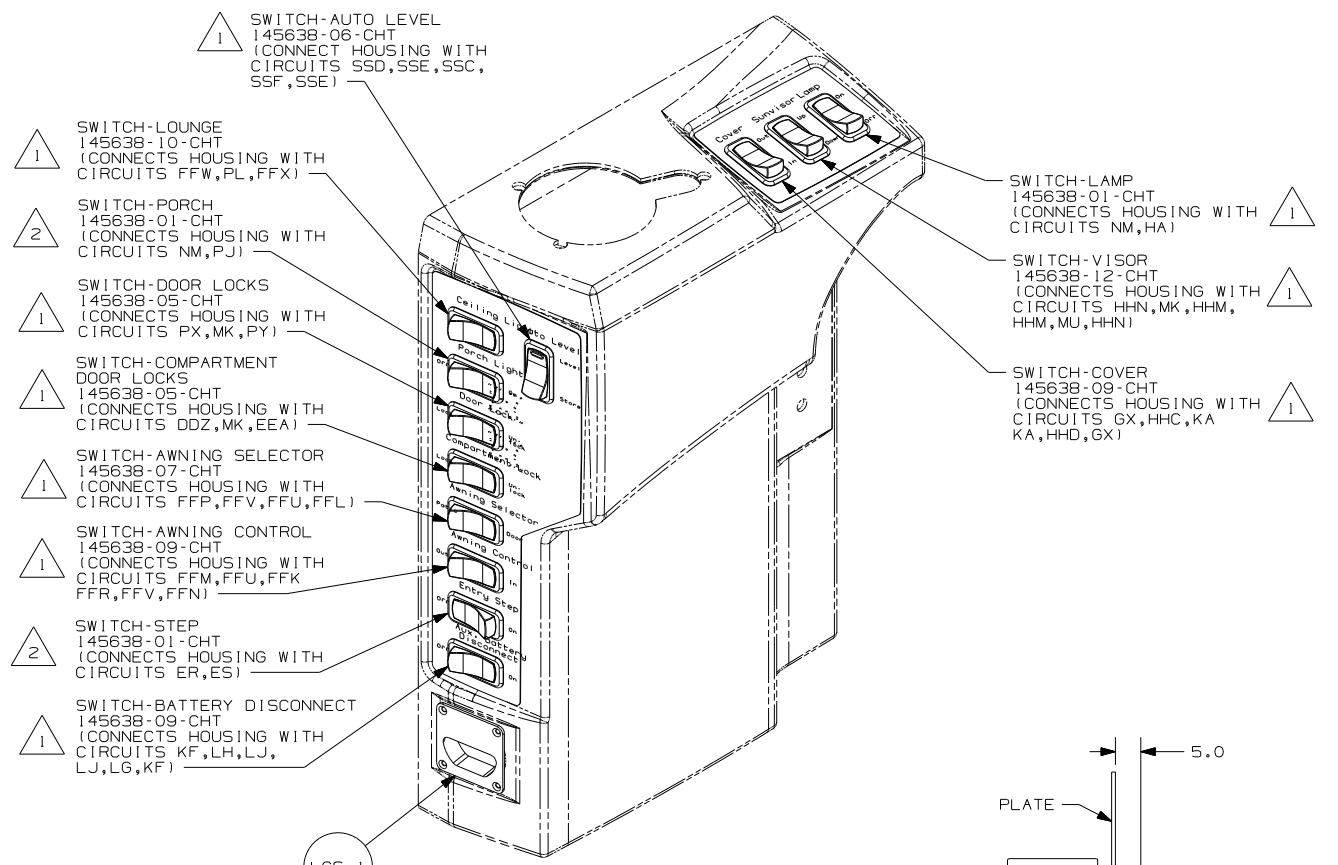
BUSS BAR
141744-05-000 (3)
SCREW
G39-08-06B (3)



CIRCUIT BREAKER
93654-01-000 (2)
(6 AMP)
SCREW
G52-06-04B (2)

CIRCUIT BREAKER
93655-01-000 (2)
(25 AMP)
SCREW
G52-06-04B
WASHER
OME02B

PLATE
139067-06-CHT
LABEL
92547-14-000
SCREW
G11-10-12U (4)



- 1 SWITCH-AUTO LEVEL
145638-06-CHT
(CONNECT HOUSING WITH
CIRCUITS SSD,SSE,SSC,
SSF,SSE)
- 1 SWITCH-LOUNGE
145638-10-CHT
(CONNECTS HOUSING WITH
CIRCUITS FFV,PL,FFX)
- 2 SWITCH-PORCH
145638-01-CHT
(CONNECTS HOUSING WITH
CIRCUITS NM,PJ)
- 1 SWITCH-DOOR LOCKS
145638-05-CHT
(CONNECTS HOUSING WITH
CIRCUITS PX,MK,PY)
- 1 SWITCH-COMPARTMENT
DOOR LOCKS
145638-05-CHT
(CONNECTS HOUSING WITH
CIRCUITS DDZ,MK,EEA)
- 1 SWITCH-AWNING SELECTOR
145638-07-CHT
(CONNECTS HOUSING WITH
CIRCUITS FFP,FFV,FFU,FFL)
- 1 SWITCH-AWNING CONTROL
145638-09-CHT
(CONNECTS HOUSING WITH
CIRCUITS FFM,FFU,FFK,
FFR,FFV,FFN)
- 2 SWITCH-STEP
145638-01-CHT
(CONNECTS HOUSING WITH
CIRCUITS ER,ES)
- 1 SWITCH-BATTERY DISCONNECT
145638-09-CHT
(CONNECTS HOUSING WITH
CIRCUITS KF,LH,LJ,
LJ,LG,KF)
- 1 SWITCH-LAMP
145638-01-CHT
(CONNECTS HOUSING WITH
CIRCUITS NM,HA)
- 1 SWITCH-VISOR
145638-12-CHT
(CONNECTS HOUSING WITH
CIRCUITS HHN,MK,HHM,
HHM,MU,HHN)
- 1 SWITCH-COVER
145638-09-CHT
(CONNECTS HOUSING WITH
CIRCUITS GX,HHC,KA,
KA,HHD,GX)

NOTES:
 FOR SWITCH ORIENTATION SEE DETAIL DE.
 FOR SWITCH ORIENTATION SEE DETAIL DD.

FOR ELECTRICAL
TORQUE
SPECIFICATIONS
SEE DWG NO.
128783-01-000

FOR
ELECTRICAL
CALLOUTS
SEE DWG NO.
121339-01-000

265 CODES/STANDARDS-CSA/CMVSS
 1B1 CODES/STANDARDS USA
 1B1 265

FIRST USED	07 R40KD	
TITLE:	DO NOT SCALE DRAWING	
	WIRING INSTL-BODY, 12V	
SHEET 4	PART NO	158659
	REV	

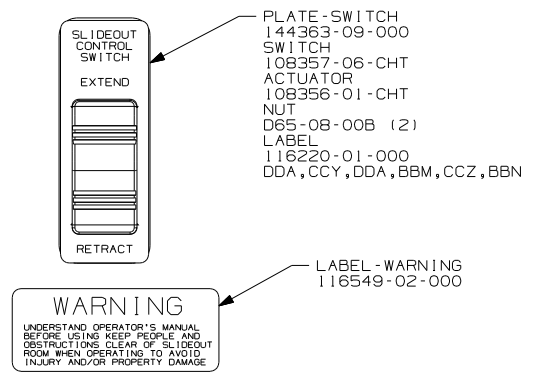
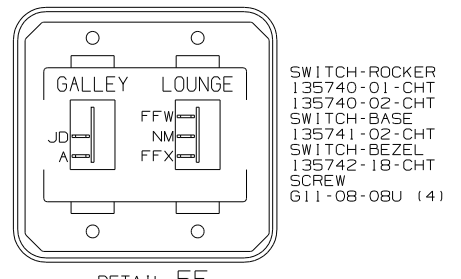


PLATE-SWITCH
144363-09-000
SWITCH
108357-06-CHT
ACTUATOR
108356-01-CHT
NUT
D65-08-00B (2)
LABEL
116220-01-000
DDA,CCY,DDA,BBM,CCZ,BBN

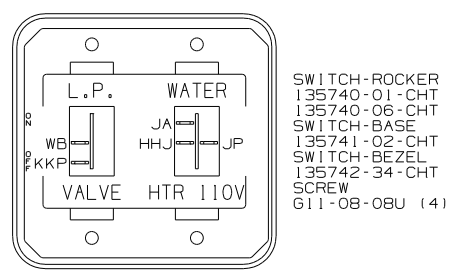
LABEL-WARNING
116549-02-000

DETAIL EA



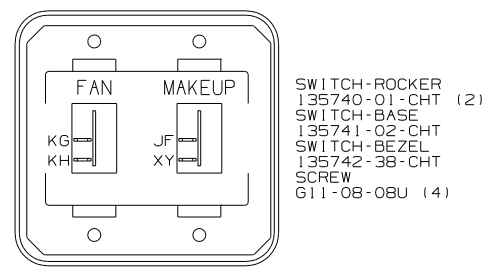
SWITCH-ROCKER
135740-01-CHT
135740-02-CHT
SWITCH-BASE
135741-02-CHT
SWITCH-BEZEL
135742-18-CHT
SCREW
G11-08-08U (4)

DETAIL EE



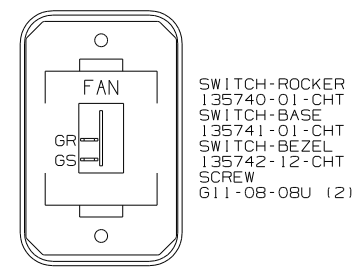
SWITCH-ROCKER
135740-01-CHT
135740-06-CHT
SWITCH-BASE
135741-02-CHT
SWITCH-BEZEL
135742-34-CHT
SCREW
G11-08-08U (4)

DETAIL EJ



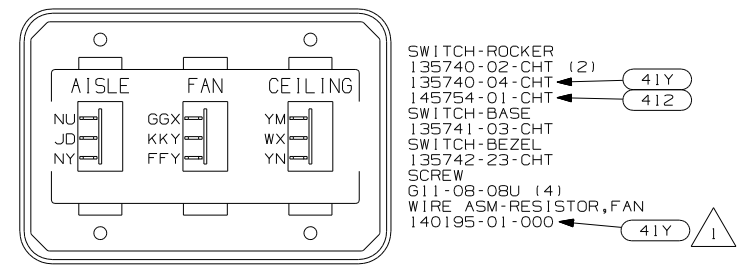
SWITCH-ROCKER
135740-01-CHT (2)
SWITCH-BASE
135741-02-CHT
SWITCH-BEZEL
135742-38-CHT
SCREW
G11-08-08U (4)

DETAIL EB



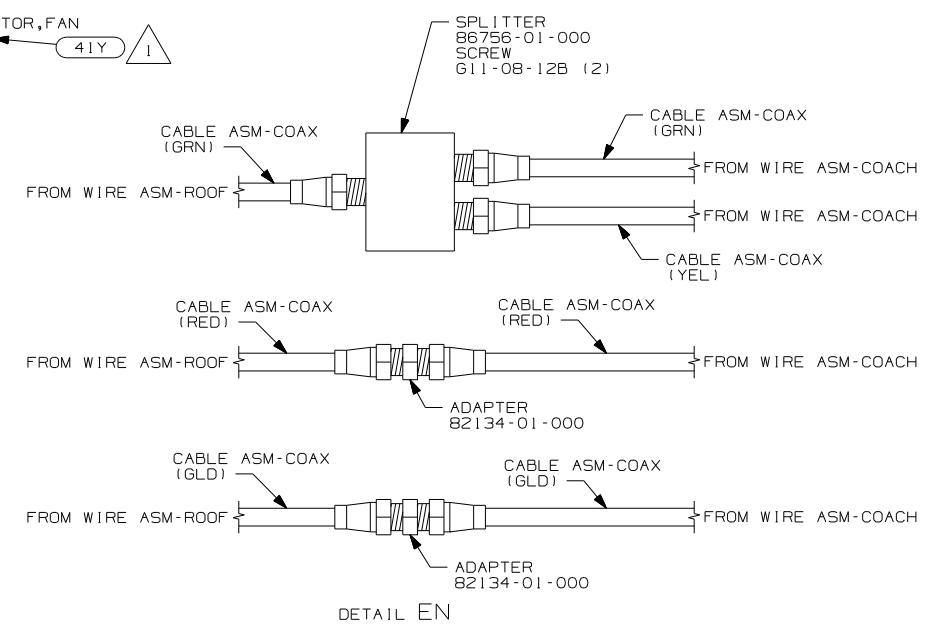
SWITCH-ROCKER
135740-01-CHT
SWITCH-BASE
135741-01-CHT
SWITCH-BEZEL
135742-12-CHT
SCREW
G11-08-08U (2)

DETAIL EF

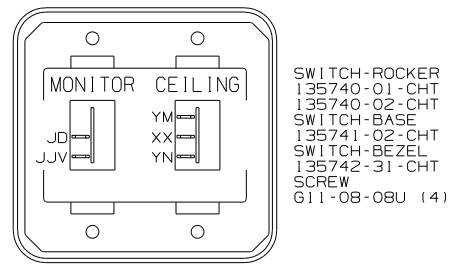


SWITCH-ROCKER
135740-02-CHT (2)
135740-04-CHT
145754-01-CHT
SWITCH-BASE
135741-03-CHT
SWITCH-BEZEL
135742-23-CHT
SCREW
G11-08-08U (4)
WIRE ASM-RESISTOR,FAN
140195-01-000

DETAIL EK

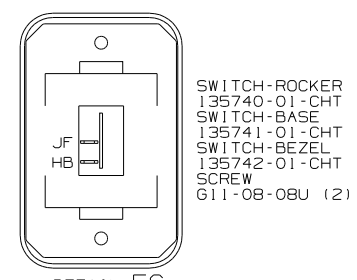


SPLITTER
86756-01-000
SCREW
G11-08-12B (2)



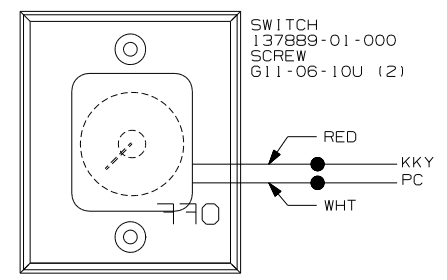
SWITCH-ROCKER
135740-01-CHT
135740-02-CHT
SWITCH-BASE
135741-02-CHT
SWITCH-BEZEL
135742-31-CHT
SCREW
G11-08-08U (4)

DETAIL EC



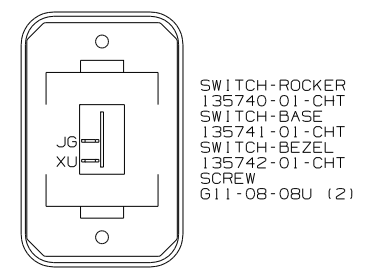
SWITCH-ROCKER
135740-01-CHT
SWITCH-BASE
135741-01-CHT
SWITCH-BEZEL
135742-01-CHT
SCREW
G11-08-08U (2)

DETAIL EG



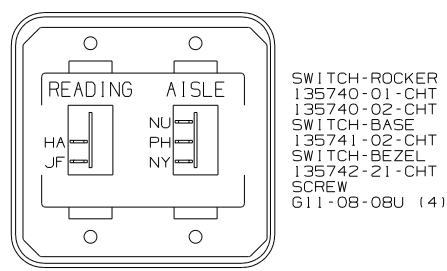
SWITCH
137889-01-000
SCREW
G11-06-10U (2)

DETAIL EL



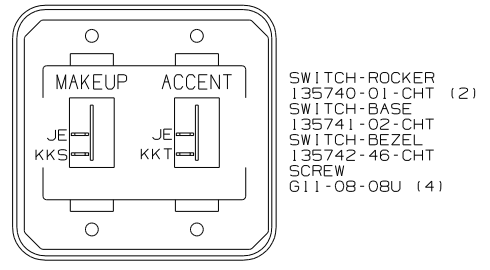
SWITCH-ROCKER
135740-01-CHT
SWITCH-BASE
135741-01-CHT
SWITCH-BEZEL
135742-01-CHT
SCREW
G11-08-08U (2)

DETAIL ED



SWITCH-ROCKER
135740-01-CHT
135740-02-CHT
SWITCH-BASE
135741-02-CHT
SWITCH-BEZEL
135742-21-CHT
SCREW
G11-08-08U (4)

DETAIL EH



SWITCH-ROCKER
135740-01-CHT (2)
SWITCH-BASE
135741-02-CHT
SWITCH-BEZEL
135742-46-CHT
SCREW
G11-08-08U (4)

DETAIL EM

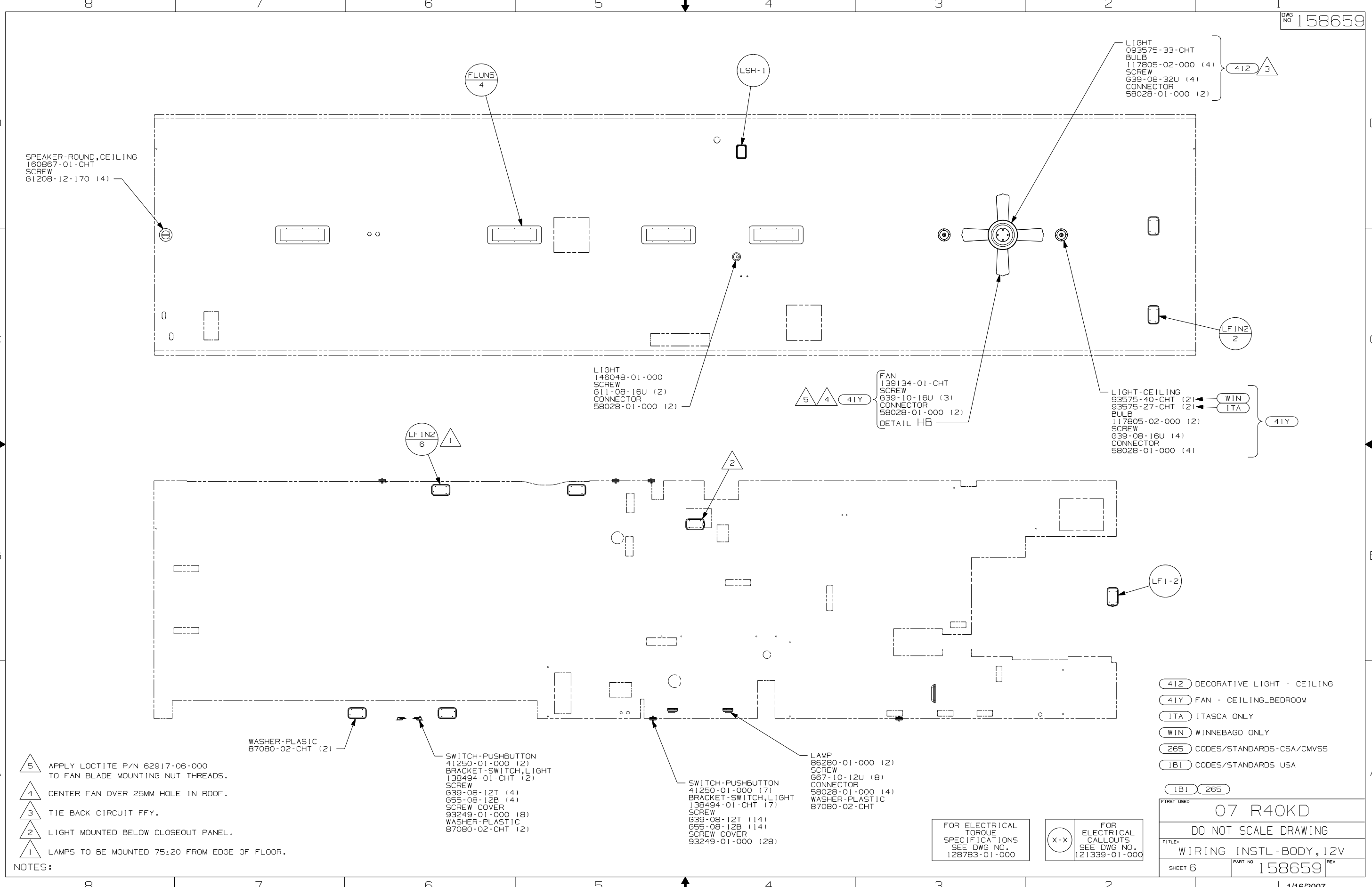
NOTES:
1 CONNECT WIRE ASM-RESISTOR,FAN TO 2-PIN HOUSING LOCATED BY THE SWITCH WIRES.

FOR ELECTRICAL TORQUE SPECIFICATIONS SEE DWG NO. 128783-01-000

FOR ELECTRICAL CALLOUTS SEE DWG NO. 121339-01-000

- 41Y FAN - CEILING_BEDROOM
- 412 DECORATIVE LIGHT - CEILING
- 265 CODES/STANDARDS-CSA/CMVSS
- 1B1 CODES/STANDARDS USA

FIRST USED	07 R40KD
TITLE	DO NOT SCALE DRAWING
	WIRING INSTL-BODY, 12V
SHEET 5	PART NO 158659 REV



SPEAKER-ROUND, CEILING
160867-01-CHT
SCREW
61208-12-170 (4)

FLUN5
4

LSH-1

LIGHT
093575-33-CHT
BULB
117805-02-000 (4)
SCREW
639-08-32U (4)
CONNECTOR
58028-01-000 (2)

412 3

LF1N2
2

LIGHT
146048-01-000
SCREW
611-08-16U (2)
CONNECTOR
58028-01-000 (2)

5 4 41Y

FAN
139134-01-CHT
SCREW
639-10-16U (3)
CONNECTOR
58028-01-000 (2)
DETAIL HB

LIGHT-CEILING
93575-40-CHT (2)
93575-27-CHT (2)
BULB
117805-02-000 (2)
SCREW
639-08-16U (4)
CONNECTOR
58028-01-000 (4)

WIN
ITA

41Y

LF1N2
6 1

2

LF1-2

WASHER-PLASTIC
87080-02-CHT (2)

SWITCH-PUSHBUTTON
41250-01-000 (2)
BRACKET-SWITCH, LIGHT
138494-01-CHT (2)
SCREW
639-08-12T (4)
655-08-12B (4)
SCREW COVER
93249-01-000 (8)
WASHER-PLASTIC
87080-02-CHT (2)

LAMP
86280-01-000 (2)
SCREW
667-10-12U (8)
CONNECTOR
58028-01-000 (4)
WASHER-PLASTIC
87080-02-CHT

SWITCH-PUSHBUTTON
41250-01-000 (7)
BRACKET-SWITCH, LIGHT
138494-01-CHT (7)
SCREW
639-08-12T (14)
655-08-12B (14)
SCREW COVER
93249-01-000 (28)

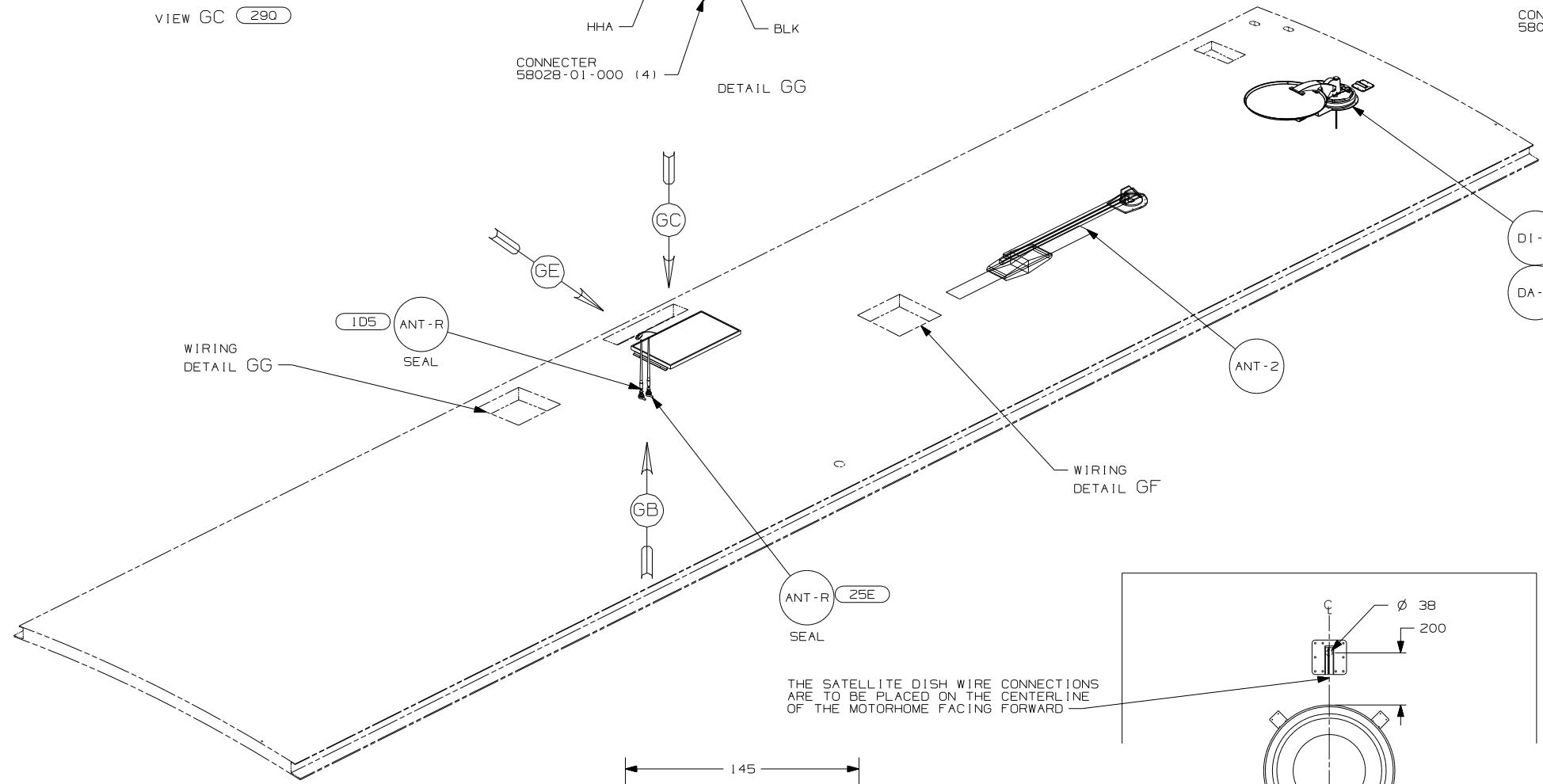
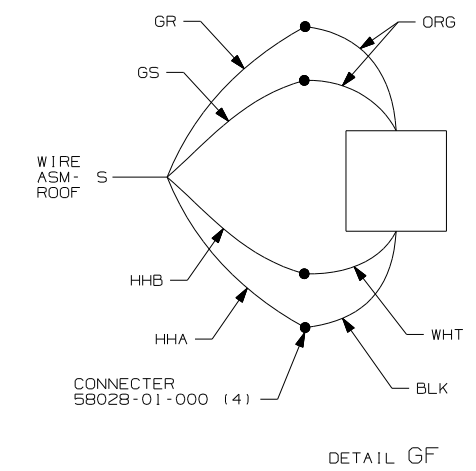
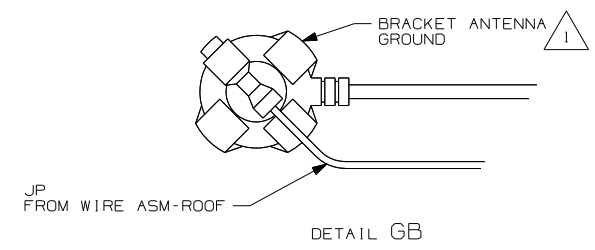
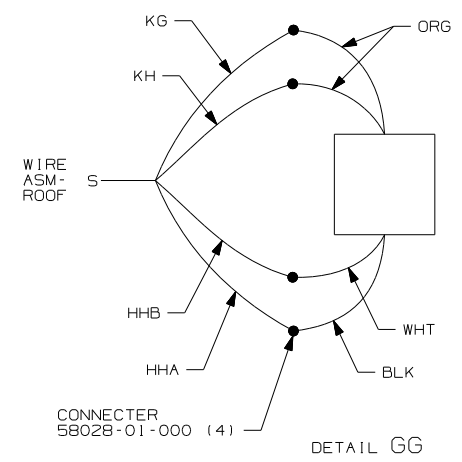
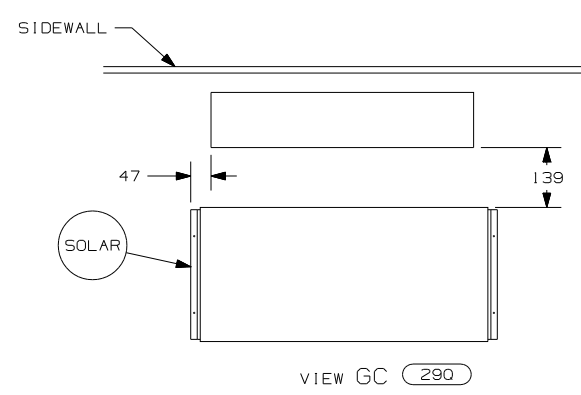
FOR ELECTRICAL
TORQUE
SPECIFICATIONS
SEE DWG NO.
128783-01-000

FOR ELECTRICAL
CALLOUTS
SEE DWG NO.
121339-01-000

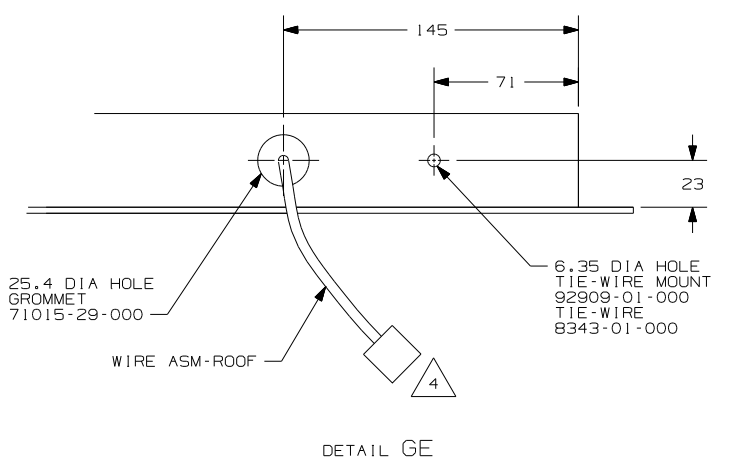
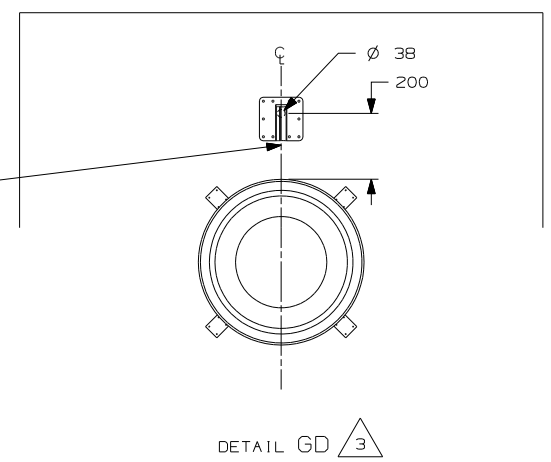
- 412 DECORATIVE LIGHT - CEILING
- 41Y FAN - CEILING_BEDROOM
- ITA ITASCA ONLY
- WIN WINNEBAGO ONLY
- 265 CODES/STANDARDS-CSA/CMVSS
- 1B1 CODES/STANDARDS USA

FIRST USED		07 R40KD	
DO NOT SCALE DRAWING			
TITLE: WIRING INSTL-BODY, 12V			
SHEET 6	PART NO	158659	
		REV	

- NOTES:
- 5 APPLY LOCTITE P/N 62917-06-000 TO FAN BLADE MOUNTING NUT THREADS.
 - 4 CENTER FAN OVER 25MM HOLE IN ROOF.
 - 3 TIE BACK CIRCUIT FFY.
 - 2 LIGHT MOUNTED BELOW CLOSEOUT PANEL.
 - 1 LAMPS TO BE MOUNTED 75±20 FROM EDGE OF FLOOR.



- D1-1 (48R) DETAIL GD 2
- DA-1 (78K) DETAIL GD 2



THE SATELLITE DISH WIRE CONNECTIONS ARE TO BE PLACED ON THE CENTERLINE OF THE MOTORHOME FACING FORWARD

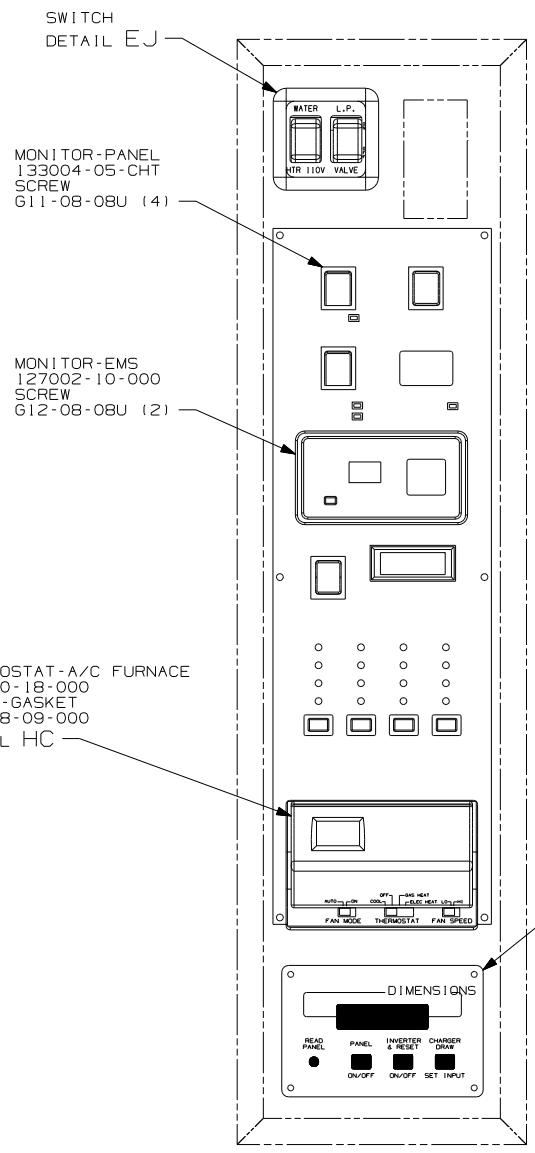
- NOTES:
- 4 FASTEN TO VENT.
 - 3 REMOVE ALL SHIPPING RESTRAINTS AND FIRMLY INSERT THE SUPPLIED PLUGS INTO THE APPROPRIATE SIZED HOLES AS SPECIFIED IN THE INSTALLATION PROCESS.
 - 2 SEE MANUFACTURER'S INSTALLATION FOR ADDITIONAL INFORMATION.
 - 1 WRAP BRACKET LEGS AROUND ANTENNA BASE.

- (48R) SAT. SYS. IN-MOTION W/O RCVR.
- (290) SOLAR PANEL - 10 WATT
- (25E) REAR STEREO SYSTEM W/CD
- (1D5) ENTERTAINMENT CTR/EXT W/CD
- (78K) SATELLITE DISH-AUTOMATIC
- (265) CODES/STANDARDS-CSA/CMVSS
- (1B1) CODES/STANDARDS USA

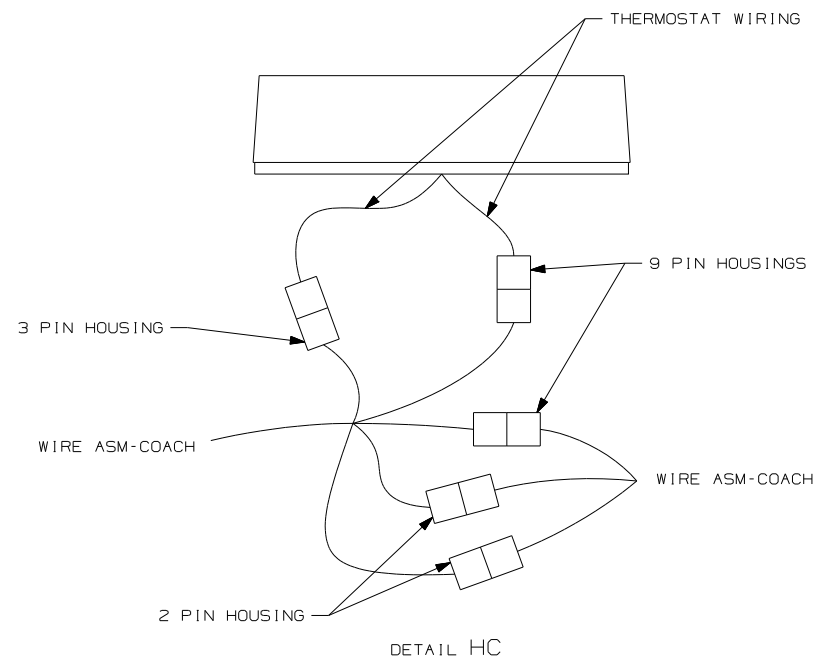
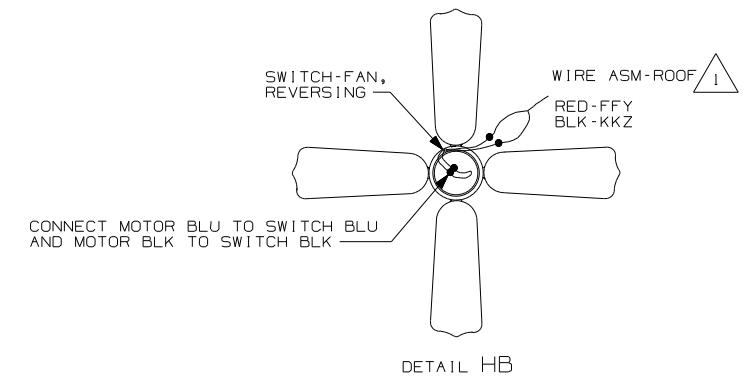
FOR ELECTRICAL TORQUE SPECIFICATIONS SEE DWG NO. 128783-01-000

FOR ELECTRICAL CALLOUTS SEE DWG NO. 121339-01-000

FIRST USED	07 R40KD
TITLE	DO NOT SCALE DRAWING
TITLE	WIRING INSTL-BODY, 12V
SHEET 7	PART NO 158659 REV



DETAIL HA



- 3 INSTALL GASKET ON BACK SIDE OF ONE PLACE AFTER INSTALLATION OF THERMOSTAT, MAKING SURE THAT THE GASKET COVERS AND SEALS THE HOKE THAT THE WIRES PASS THROUGH
- 2 CONNECT CIRCUIT WB FROM COACH WIRING TO RED WIRE ON REMOTE PANEL.
- 1 TIE BACK CIRCUIT PC.

NOTES:

- 265 CODES/STANDARDS-CSA/CMVSS
- 1B1 CODES/STANDARDS USA
- 1B1 265

FOR ELECTRICAL TORQUE SPECIFICATIONS SEE DWG NO. 128783-01-000

X-X FOR ELECTRICAL CALLOUTS SEE DWG NO. 121339-01-000

FIRST USED	
07 R40KD	
DO NOT SCALE DRAWING	
TITLE: WIRING INSTL-BODY, 12V	
SHEET 8	PART NO 158659 REV