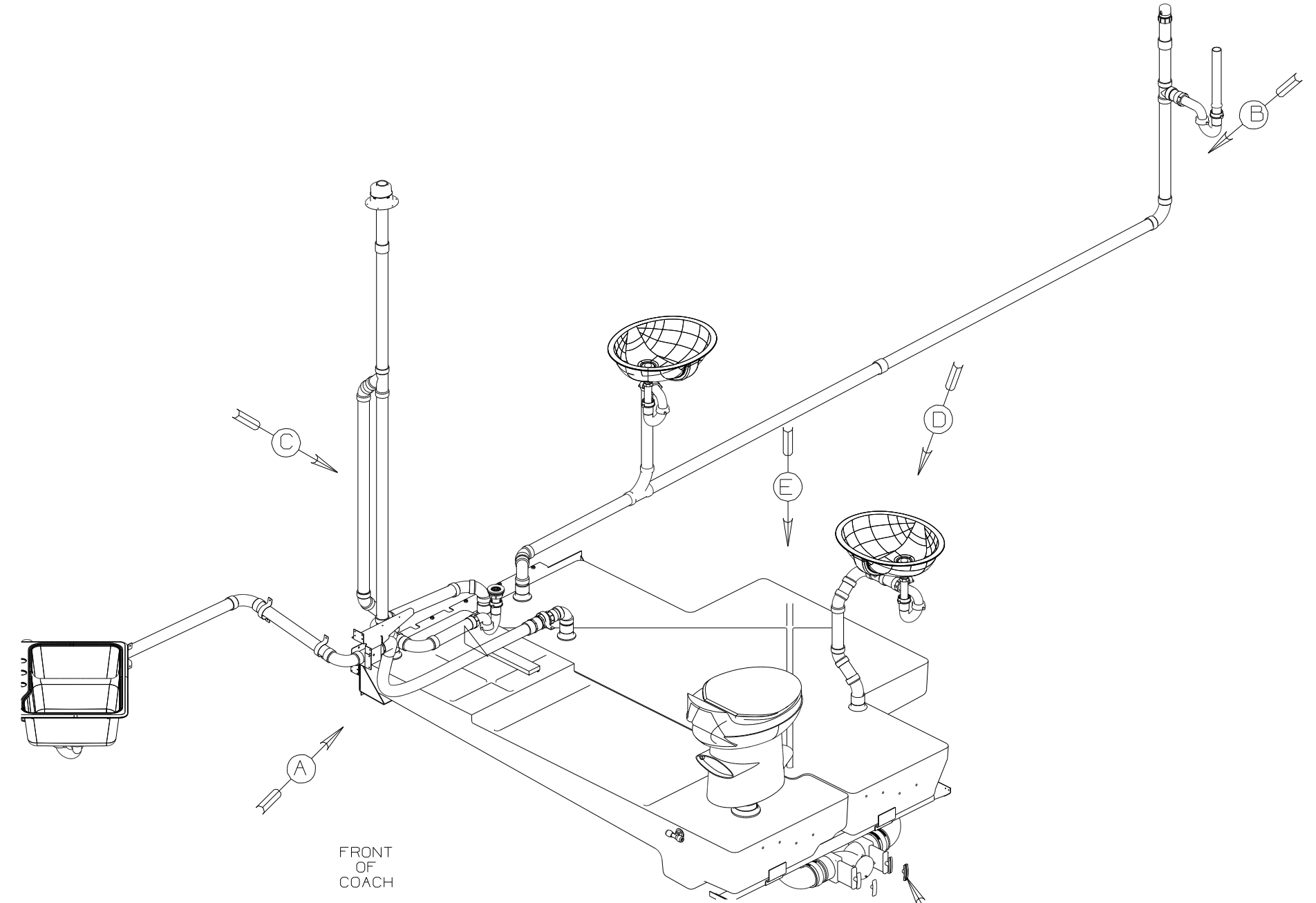


DWG NO	--
158363-01	(WIN)
158363-02	(ITA)

RELEASE	REV DATE	DWG NO
A		158363
REV ZONE	REVISION RECORD	DATE
		DFTR-0R16



- (WIN) WINNEBAGO ONLY
- (ITA) ITASCA ONLY
- (IBI) CODES/STANDARDS USA
- (265) CODES/STDS-CSA, CMVSS
- (54E) WASHER DRYER
- (21M) WASHER/DRYER PREP
- (430) TOILET-PORCELAIN

9. DO NOT ATTACH ANY OTHER SYSTEM TO FLEXIBLE DRAINAGE CONNECTOR.
8. SECURE DRAINAGE PIPES TO CABINET USING WIRE TIE 108046-02-000, AND SCREW G67-10-12B AT INTERVALS OF NOT MORE THAN 4 FEET APART.
7. SECURE VENT PIPE TO FLOOR WITH CLAMP 62401-02-000 (2), SCREW G67-10-12B (2), BRACKET 136878-01-CHT (2).
6. VENT PIPE MUST PROJECT 51 MIN AND 64 MAX ABOVE ROOF FOR PROPER FIT AND FUNCTION.
5. SEAL AROUND SHOWER WITH SILICONE.
4. ALL EXTERIOR OPENINGS AROUND PIPE TO BE SEALED WITH 131264-03-000.
3. ALL PIPE AND FITTINGS TO BE ASSEMBLED WITH SOLVENT 4020-01-000 (USA), 4020-02-000 (CAN)
2. SLOPE OF TRAP ARM MUST BE 6 PER 305 mm.
1. SLOPE OF HORIZONTAL PIPING TO BE MINIMUM OF 3 PER 305 mm.

NOTES:

(X-X)  
FOR  
DRAINAGE  
CALLOUTS  
SEE DWG NO  
116229-01-000

<b>WINNEBAGO</b>		COPYRIGHT 2006 WINNEBAGO INDUSTRIES, INC.	
DFTR	ORIG. DATE	ALL DIMENSIONS ARE IN MILLIMETERS	
CHKR		FIRST USED	
P.E.		07 R40KD	
M.E.		UNSPECIFIED TOLERANCES ARE:	
DSNR		MATERIAL:	
		WHOLE DIM (X)	: 3
		ONE-PLACE (X.X)	: 1.5
		TWO-PLACE (X.XX)	: 0.50
		ANGLE	: 1°
		THIRD ANGLE PROJECTION	
DO NOT SCALE DRAWING			
TITLE: DRAINAGE SYSTEM INSTL			
SHEET 1 OF 4	PART NO	158363	REV
REF	1 10/9/2006		

SINK-GALLEY  
148870-01-CHT  
STRAINER  
92303-01-000 (2)  
SEAL  
91255-02-000 (A/R)  
ANGLE-FORMED  
140002-01-CHT (10)  
SCREW  
G67-10-08U (10)

PIPE-STAND  
130234-01-000  
(21M) PLUG-PLASTIC  
61420-10-000

SINK-LAV  
155318-01-CHT  
TAILPIECE  
POP-UP ASM  
(SUPPLIED W/FAUCET)  
ANGLE  
153338-02-CHT-CHT (10)  
SCREW  
G67-08-10U (10)  
SEAL  
91255-02-000 (A/R)

BRACKET-COVER, PLUMBING  
142526-01-CHT

ELBOW  
136111-01-000

BRACKET-CARRIER, PLUMBING  
142527-02-CHT

PRIMER  
126427-02-000  
CEMENT  
126427-01-000 (USA)  
126427-03-000 (CAN)

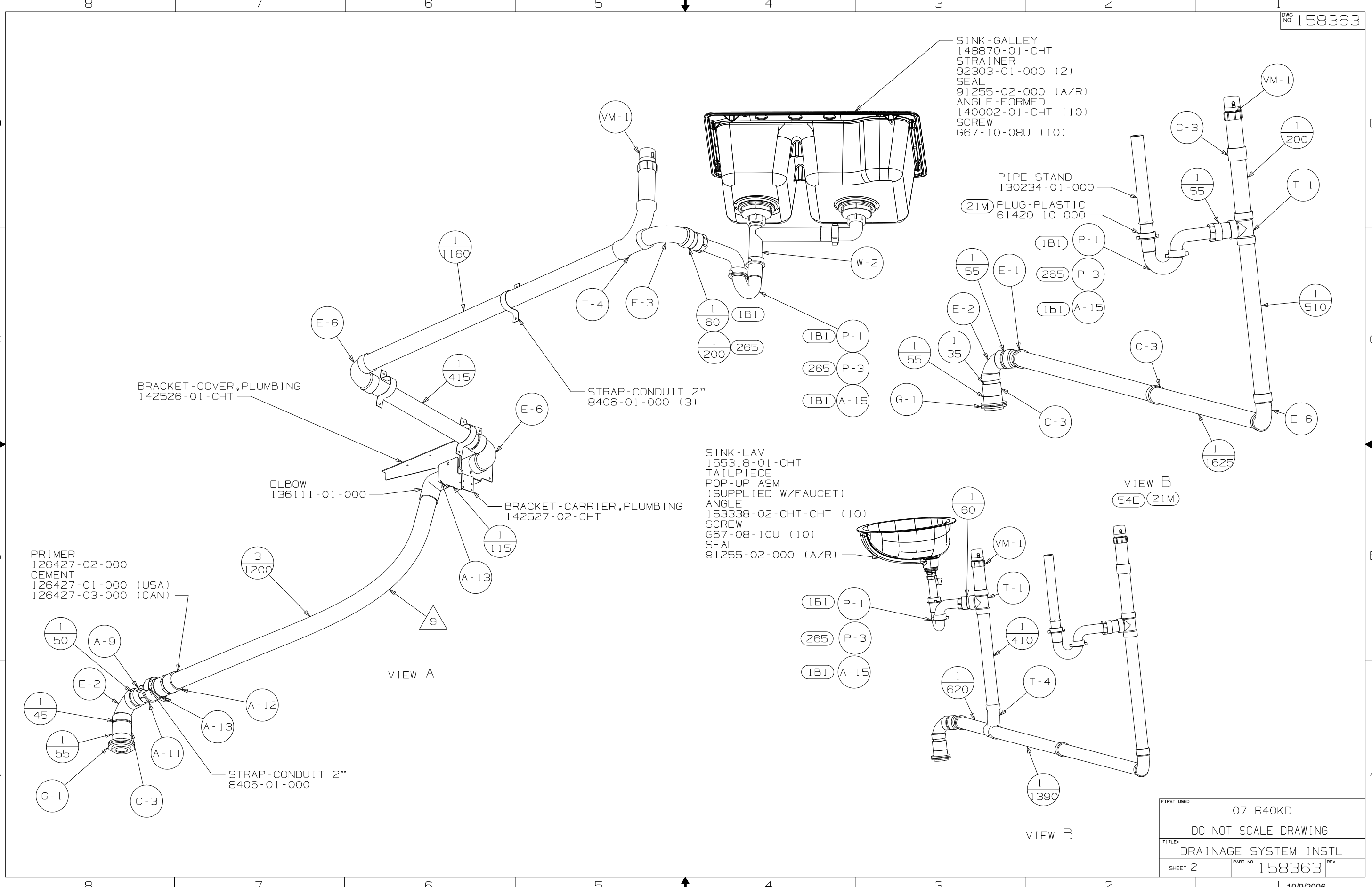
STRAP-CONDUIT 2"  
8406-01-000

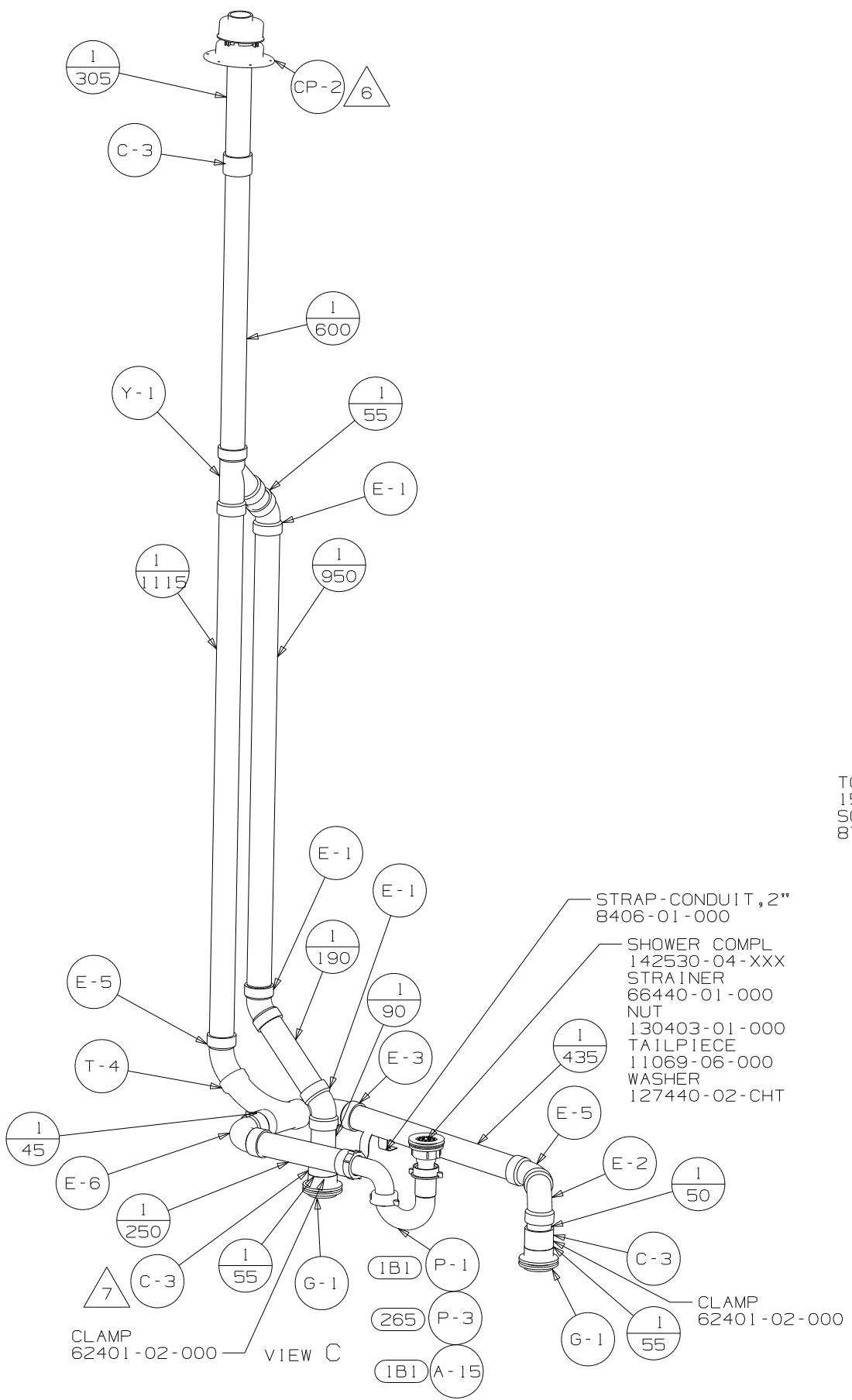
VIEW A

VIEW B  
54E (21M)

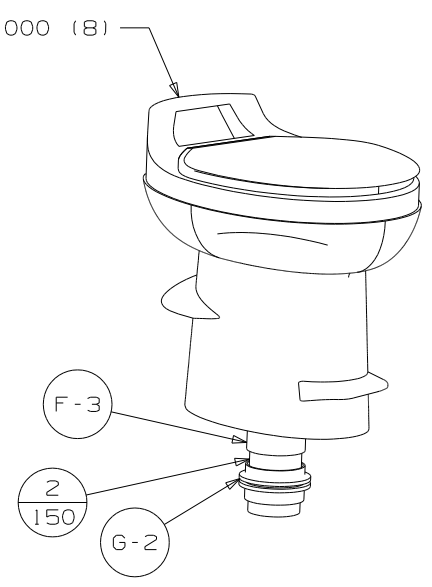
VIEW B

FIRST USED	07 R40KD
TITLE	DO NOT SCALE DRAWING
TITLE	DRAINAGE SYSTEM INSTL
SHEET 2	PART NO 158363 REV
	10/9/2006

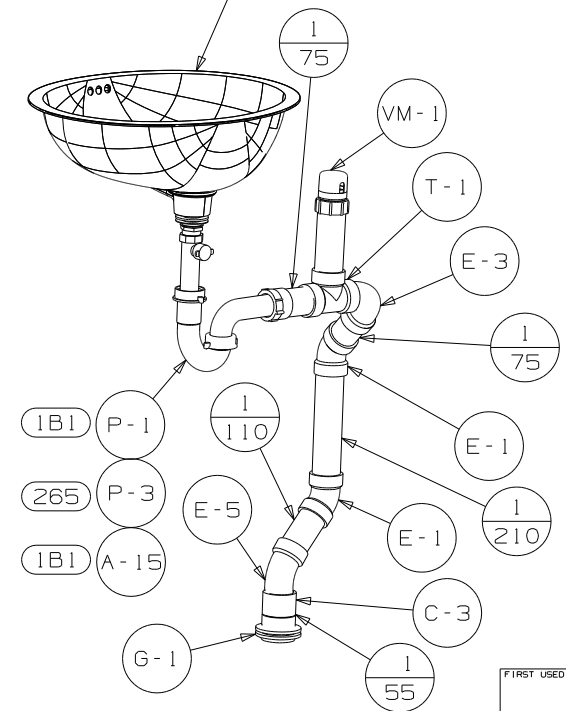




TOILET  
 152830-01-CHT  
 SCREW  
 87721-01-000 (8)

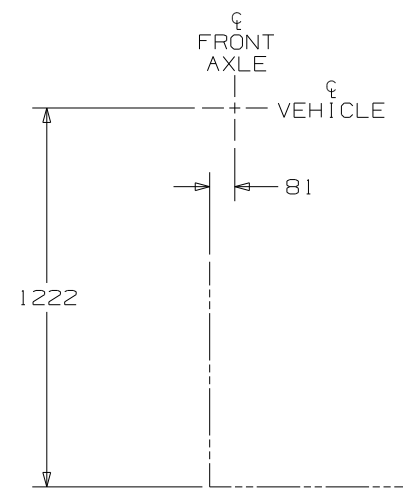


SINK-LAVATORY  
 155318-01-CHT  
 TAILPIECE  
 (SUPPLIED W/ FAUCET)  
 ANGLE  
 153338-02-CHT (10)  
 SCREW  
 G67-08-10U (10)  
 SEAL  
 91255-02-000 (A/R)



VIEW D

FIRST USED	07 R40KD	
TITLE	DO NOT SCALE DRAWING	
	DRAINAGE SYSTEM INSTL	
SHEET 3	PART NO	158363
	REV	



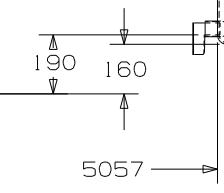
BRACKET  
152443-01-CHT  
BOLT  
C26-05-12B (6)

LUMBER  
52372-F0-276  
BRACE-SEAT  
79804-01-CHT  
SCREW  
G67-10-10B (8)

SUPPORT ASM-HOLDING TANK  
152487-02-CHT  
SCREW  
G39-10-20T (2)

PLATFORM  
126714-37-000

VIEW E



TANK-HOLDING  
152390-02-000

ELBOW-1/2P X 1/2 MPT  
114429-02-000

TANK-HOLDING  
152389-02-000

TEE-1/2 P X 1/2 P  
114428-03-000

BRACKET-DRAINAGE  
146080-01-CHT (2)

VALVE-SEWER HOSE  
144728-01-000  
CLAMP-HOSE  
62401-09-000

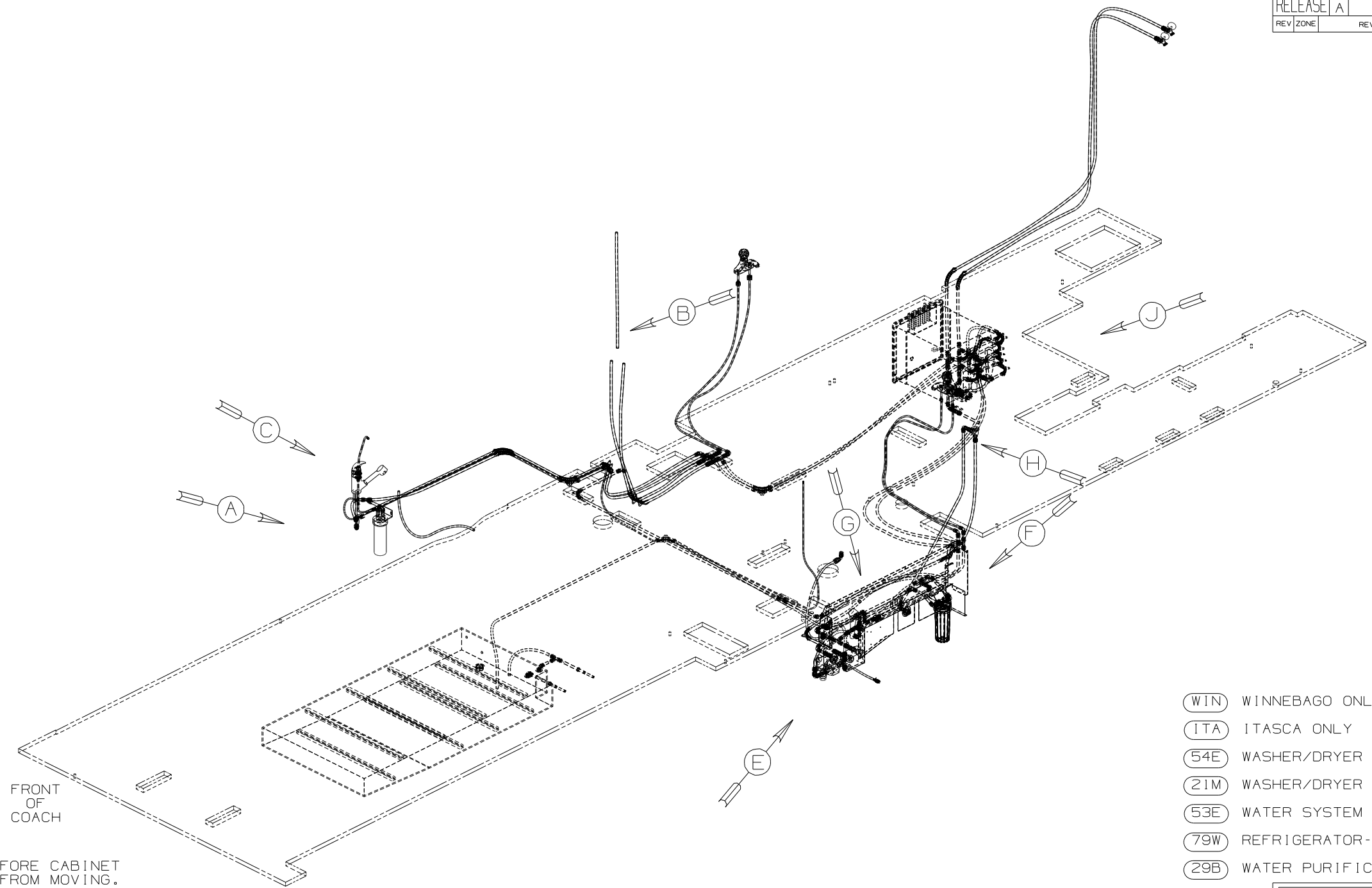
VIEW G

VIEW F

FIRST USED	07 R40KD	
TITLE	DO NOT SCALE DRAWING	
	DRAINAGE SYSTEM INSTL	
SHEET 4	PART NO	158363
	REV	

DWG NO	----
158365-01	(WIN)
158365-02	(ITA)

RELEASE	REV DATE	DWG NO
A		158365
REV ZONE	REVISION RECORD	DATE

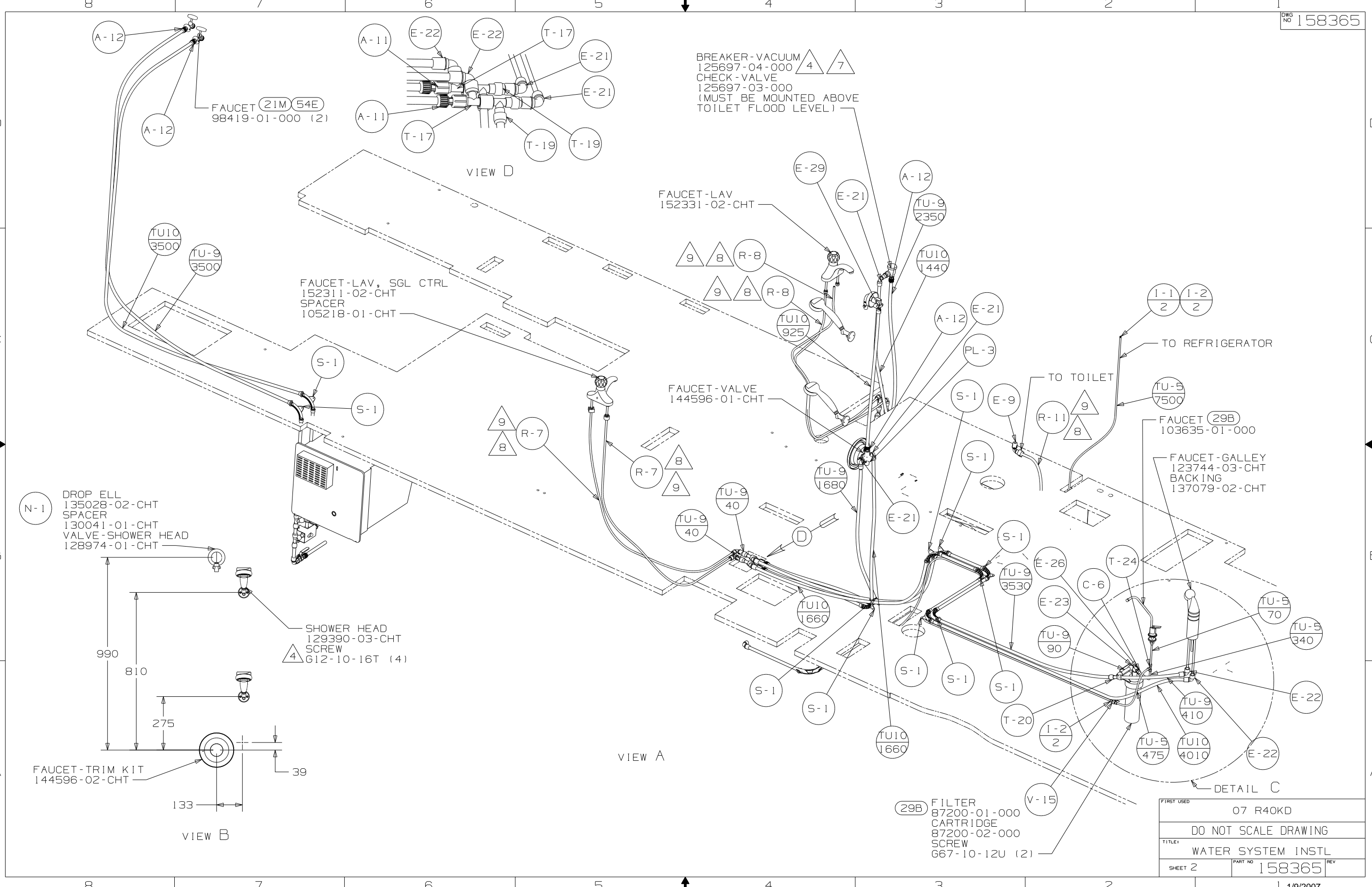


- (WIN) WINNEBAGO ONLY
- (ITA) ITASCA ONLY
- (54E) WASHER/DRYER
- (21M) WASHER/DRYER PREP
- (53E) WATER SYSTEM WINTERIZATION PKG
- (79W) REFRIGERATOR-4 DR W/ICEMAKER
- (29B) WATER PURIFICATION SYSTEM

- NOTES:
- 9. TAPE FITTING TO TUBE BEFORE CABINET SET TO PREVENT FITTING FROM MOVING.
  - 8. LABEL HOT AND COLD SUPPLY TUBES.
  - 7. ADD TEFLON TAPE 10405-03-000.
  - 6. ADD TEFLON TAPE 10405-01-000.
  - 5. ADD TEFLON TAPE 10405-02-000.
  - 4. USED IN PLACE OF SUPPLIED SCREWS TO ATTACH BRACKET TO WALL.
3. ALL TUBING TO BE SECURED AT 1200 INTERVALS MAXIMUM WITH CLAMP 10495-01-000 AND SCREW G67-10-12B OR EQUIVALENT.
  2. TUBING TO BE INSTALLED WITH SUFFICIENT SLOPE TO PROVIDE DRAINAGE TO NEAREST VALVE.
  1. PLASTIC FITTINGS TO BE SEALED WITH SEALANT 84456-01-000.

(X-X)  
FOR  
WATER  
CALLOUTS  
SEE DWG NO  
116230-01-000

<b>WINNEBAGO</b>		COPYRIGHT 2007 WINNEBAGO INDUSTRIES, INC.	
DFTB	ORIG. DATE	ALL DIMENSIONS ARE IN MILLIMETERS	
CHKR		FIRST USED	
P.E.		07 R40KD	
M.E.		UNSPECIFIED TOLERANCES ARE:	
DSNR		MATERIAL:	
		WHOLE DIM (X)	: 3
		ONE-PLACE (X.X)	: 1.5
		TWO-PLACE (X.XX)	: 0.50
		ANGLE	: 1°
THIRD ANGLE PROJECTION		DO NOT SCALE DRAWING	
TITLE: WATER SYSTEM INSTL			
SHEET 1 OF 5	PART NO	158365	REV
REF:	1 1/9/2007		



BREAKER - VACUUM  
 125697-04-000 (4) (7)  
 CHECK - VALVE  
 125697-03-000  
 (MUST BE MOUNTED ABOVE  
 TOILET FLOOD LEVEL)

FAUCET (21M 54E)  
 98419-01-000 (2)

FAUCET - LAV  
 152331-02-CHT

FAUCET - LAV, SGL CTRL  
 152311-02-CHT  
 SPACER  
 105218-01-CHT

FAUCET - VALVE  
 144596-01-CHT

FAUCET (29B)  
 103635-01-000

FAUCET - GALLEY  
 123744-03-CHT  
 BACKING  
 137079-02-CHT

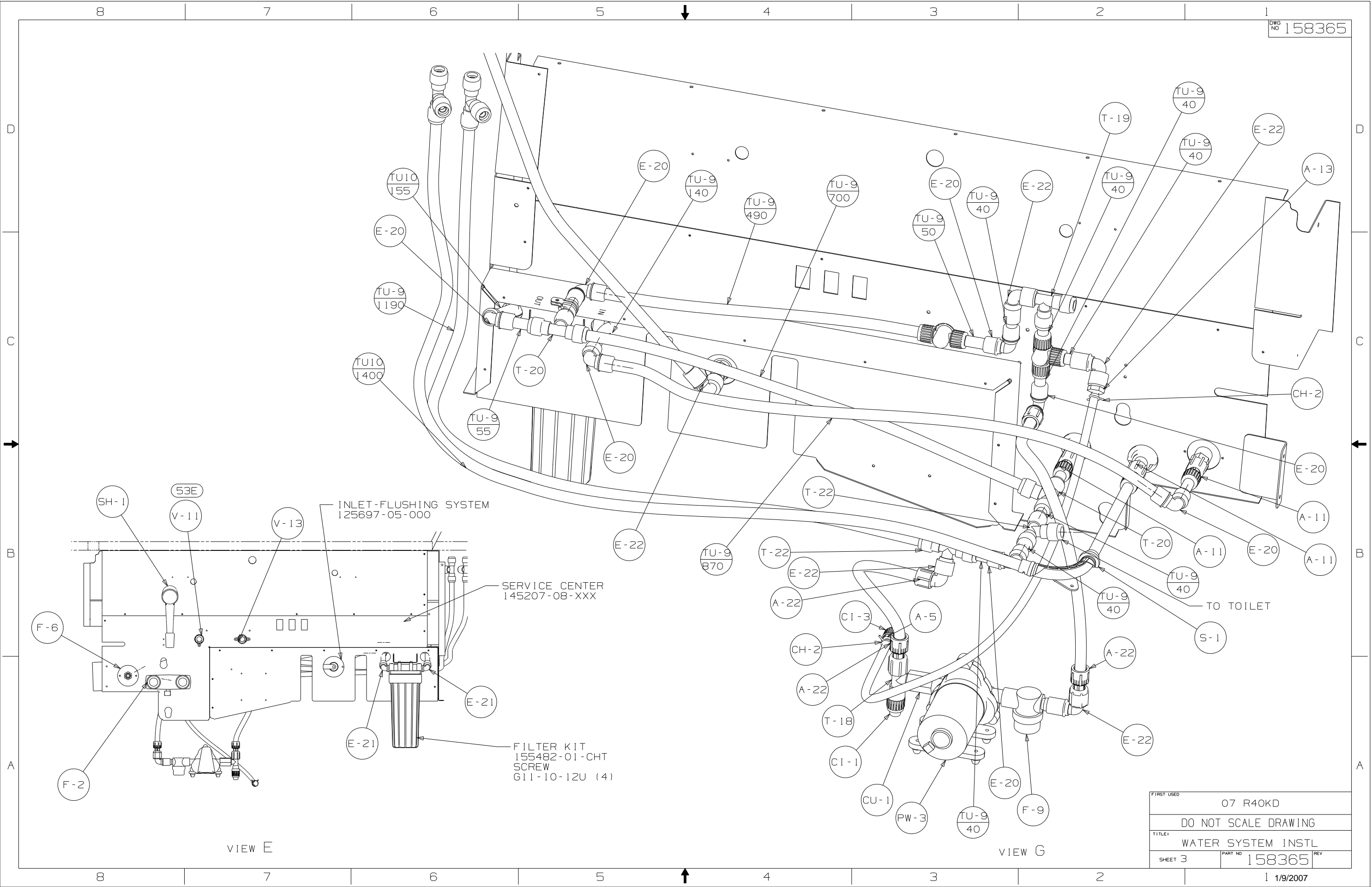
DROP ELL  
 135028-02-CHT  
 SPACER  
 130041-01-CHT  
 VALVE - SHOWER HEAD  
 128974-01-CHT

SHOWER HEAD  
 129390-03-CHT  
 SCREW  
 G12-10-16T (4)

FAUCET - TRIM KIT  
 144596-02-CHT

(29B) FILTER  
 87200-01-000  
 CARTRIDGE  
 87200-02-000  
 SCREW  
 667-10-12U (2)

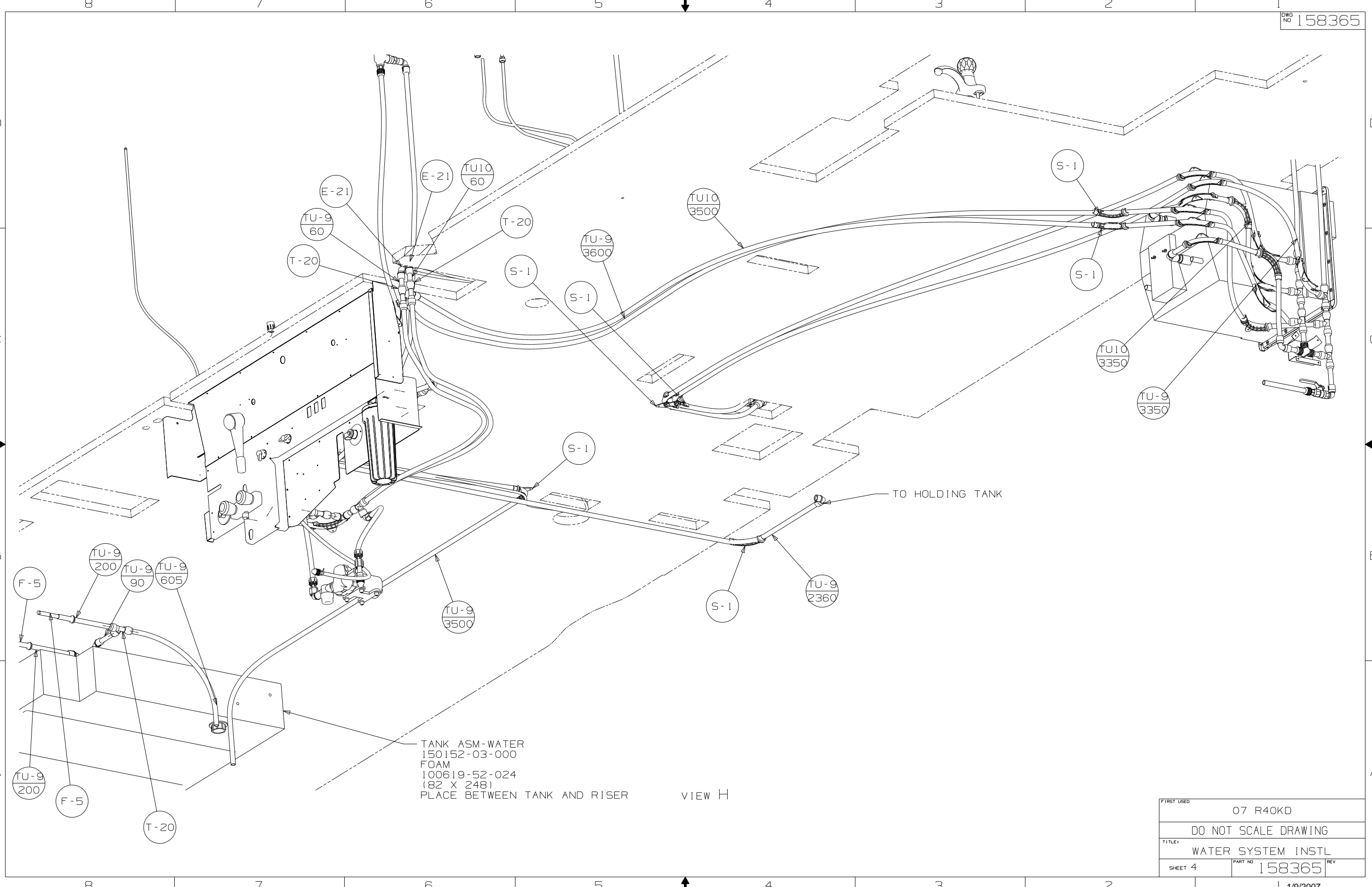
FIRST USED	07 R40KD	
TITLE	DO NOT SCALE DRAWING	
	WATER SYSTEM INSTL	
SHEET 2	PART NO	158365
	REV	



VIEW E

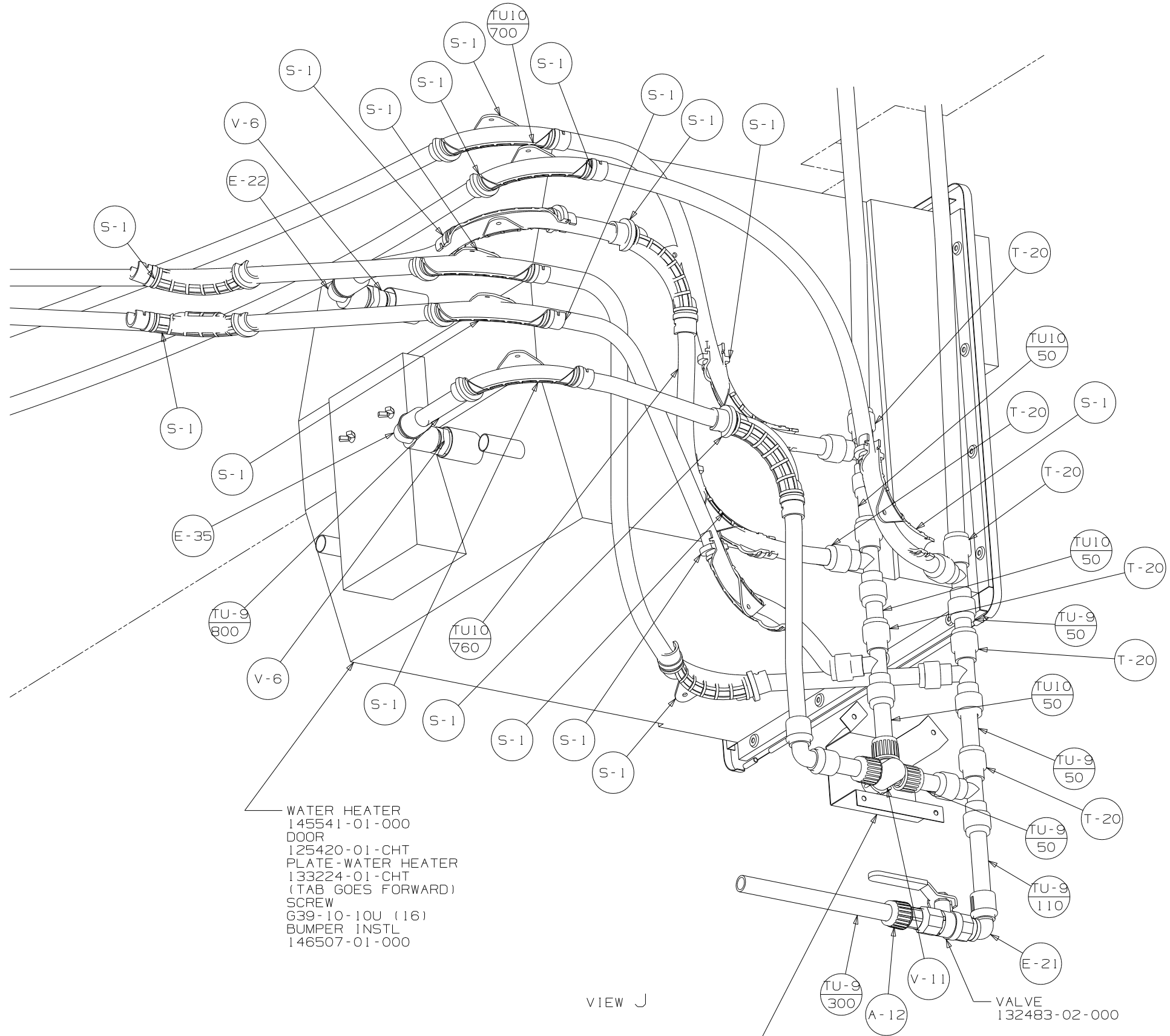
VIEW G

FIRST USED	07 R40KD
DO NOT SCALE DRAWING	
TITLE	WATER SYSTEM INSTL
SHEET 3	PART NO 158365 REV



FIRST USED	07 R40KD		
TITLE	DO NOT SCALE DRAWING		
	WATER SYSTEM INSTL		
SHEET 4	PART NO	158365	REV





FIRST USED	07 R40KD	
TITLE	DO NOT SCALE DRAWING	
TITLE	WATER SYSTEM INSTL	
SHEET 5	PART NO	158365
	REV	