



**DANGER**

**Danger of electrical shock, burns or death.** Always remove all power sources before attempting any repair, service or diagnostic work. Power can be present from shore power, generator, inverter or battery. All power sources must be disabled and secured before performing any service.

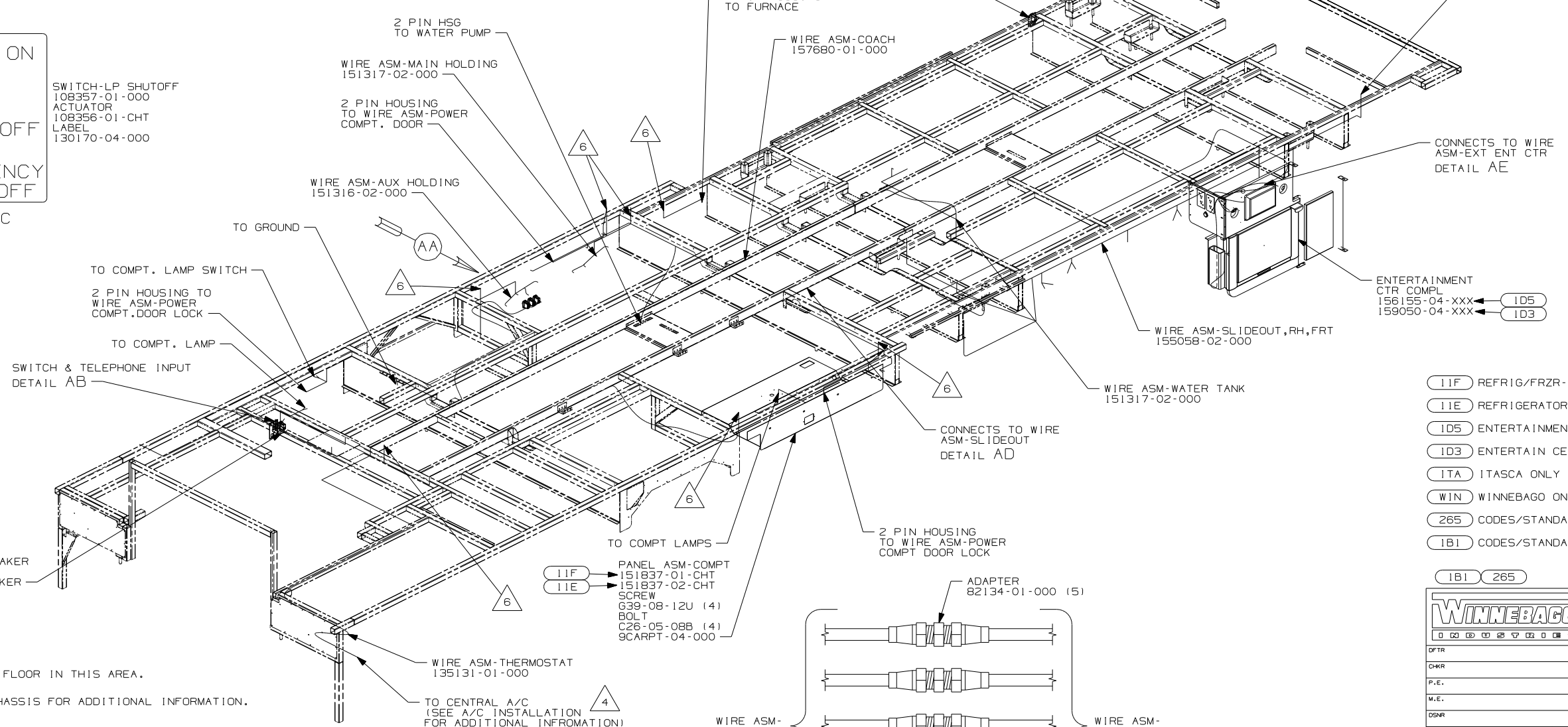
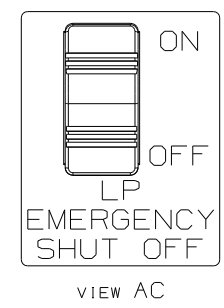
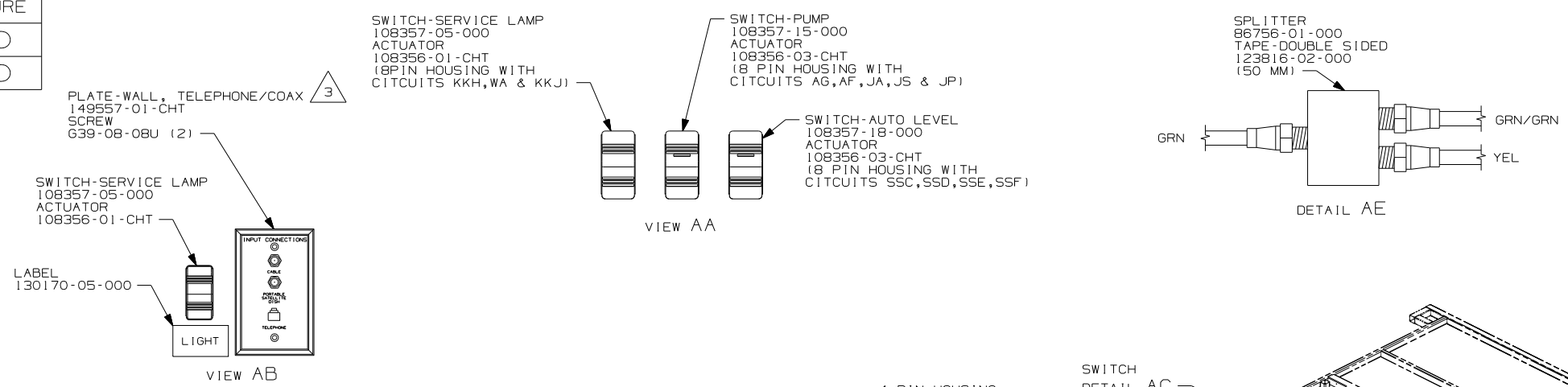


**CAUTION**

If you lack the skills, tools or equipment to perform diagnostic or repair work leave such work to an authorized Winnebago Industries dealer or other qualified shop.

DRAWING NO.	FEATURE
157674-01	(WIN)
157674-02	(ITA)

RELEASE	REV/DATE	DWG NO
	A	157674
REV ZONE	REVISION RECORD	DATE
		DFTR-016



- NOTES:
- ALL WIRES TO BE SECURED WITH CLAMP 10495 OR 10497 OR WIRE TIE 8343 OR 108046 EVERY 600MM, USE SCREW G67-XX-XXX OR G56-XX-XXX AS APPROPRIATE FOR INSTALLATION.
  - FOR MORE INFORMATION SEE WIRING DIAGRAM-BODY.
  - CONNECT TELEPHONE WIRE TO MATCHING COLORS ON PLATE-TELEPHONE.
  - FOR MORE INFORMATION SEE A/C INSTL.
  - SEE WIRING INSTL-CHASSIS FOR ADDITIONAL INFORMATION.
  - WIRES PASS UP THRU FLOOR IN THIS AREA.

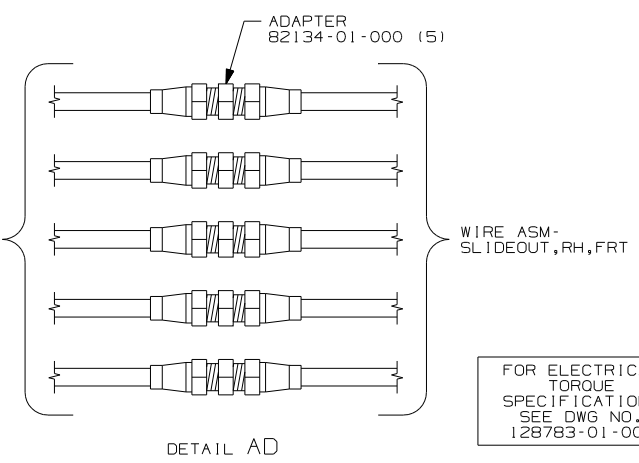
- (11F) REFRIG/FRZR-PORTABLE WITHOUT
- (11E) REFRIGERATOR/FREEZER PORTABL
- (ID5) ENTERTAINMENT CENTR/EXT W/CD
- (ID3) ENTERTAIN CENTR/EXT TV-DVD
- (ITA) ITASCA ONLY
- (WIN) WINNEBAGO ONLY
- (265) CODES/STANDARDS-CSA/CMVSS
- (1B1) CODES/STANDARDS USA

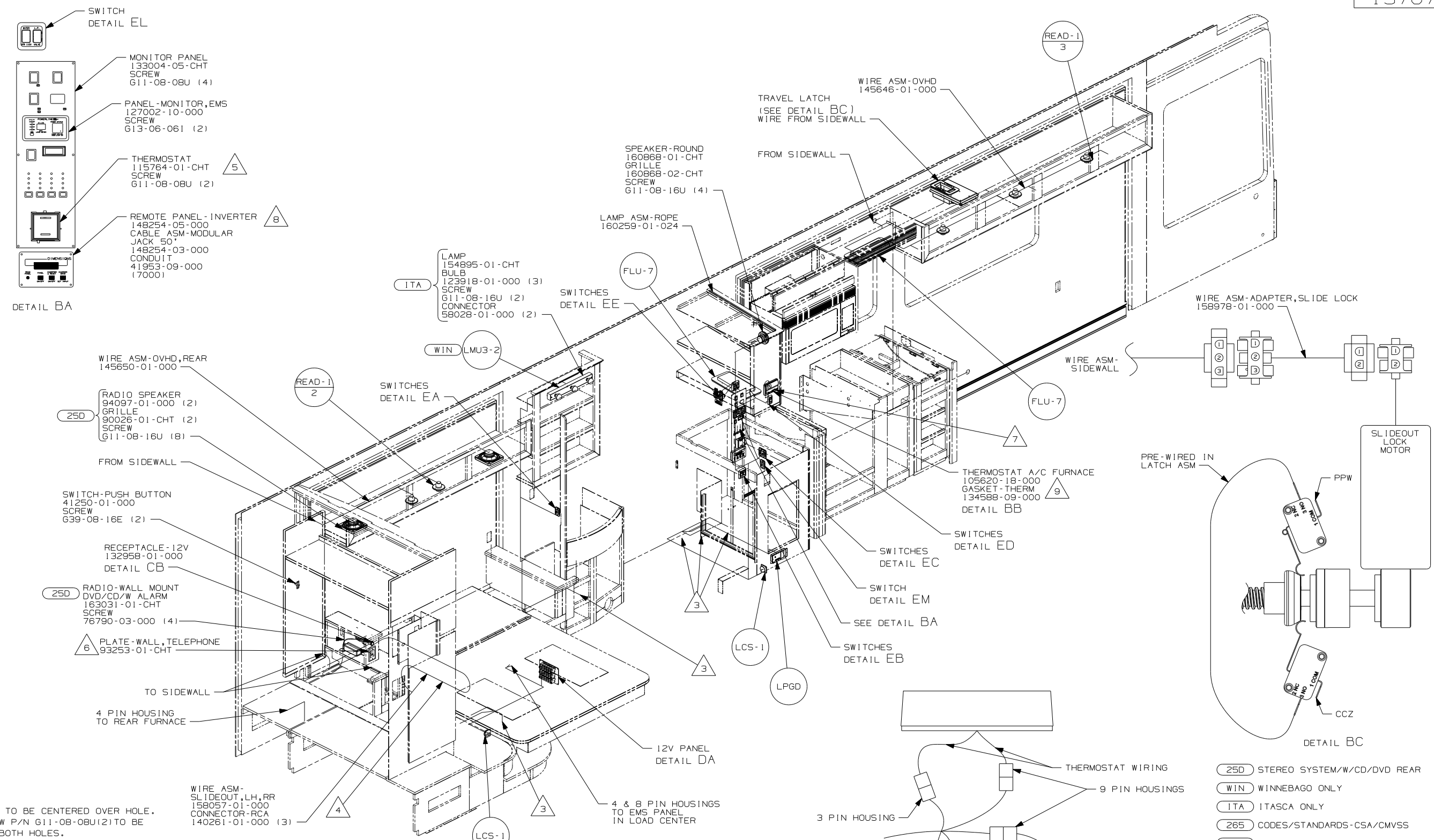
**WINNEBAGO** COPYRIGHT 2006 WINNEBAGO INDUSTRIES, INC.

DFTR	ORIG. DATE
CHKR	ALL DIMENSIONS ARE IN MILLIMETERS
P.E.	
M.E.	FIRST USED
DSNR	07 R40FD
UNSPECIFIED TOLERANCES ARE:	MATERIAL:
HOLE DIM (X)	: 3
ONE-PLACE (X.X)	: 1.5
TWO-PLACE (X.XX)	: 0.50
ANGLE	: 1°
THIRD ANGLE PROJECTION	
DO NOT SCALE DRAWING	
TITLE: WIRING INSTL-BODY, 12V	
SHEET 1 OF 7	PART NO 157674
REF:	1 1/17/2007

FOR ELECTRICAL TORQUE SPECIFICATIONS SEE DWG NO. 128783-01-000

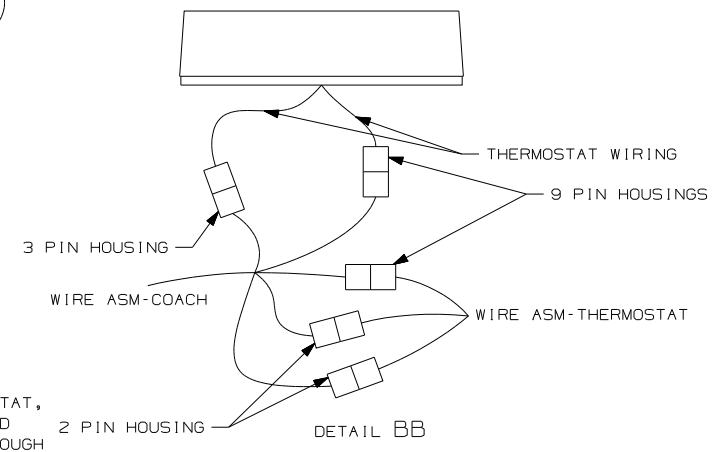
(X-X) FOR ELECTRICAL CALLOUTS SEE DWG NO. 121339-01-000





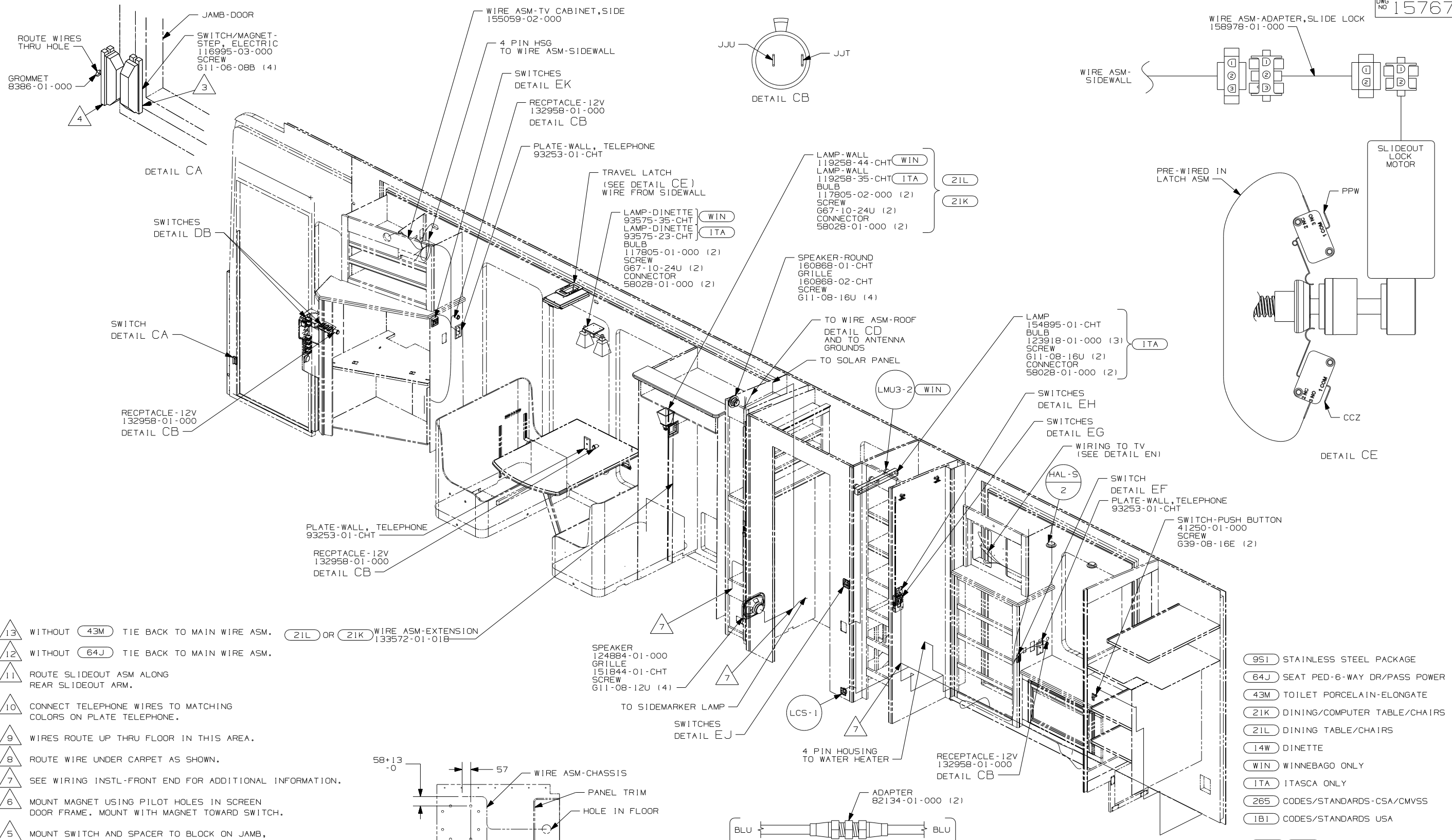
- NOTES:
- 1. ALL WIRES TO BE SECURED WITH CLAMP 10495 OR 10497 OR WIRE TIE 8343 OR 108046 EVERY 600MM, USE SCREW 667-XX-XXX OR 656-XX-XXX AS APPROPRIATE FOR INSTALLATION.
  - 2. SEE WIRING DIAGRAM-BODY FOR ADDITIONAL INFORMATION.
  - 3. WIRES PASS UP THRU FLOOR IN THIS AREA.
  - 4. SEE WIRING INSTL-BODY, 110V FOR ROUTING AND CLAMPING INFORMATION.
  - 5. THERMOSTAT TO BE CENTERED OVER HOLE. BLACK SCREW P/N G11-08-08U(2) TO BE PLACED IN BOTH HOLES.

- 6. CONNECT TELEPHONE WIRES TO MATCHING COLORS ON TELEPHONE PLATE.
- 7. PLACE CONNECTOR HERE TO MAKE CONNECTION TO MATING WIRE ASM.
- 8. CONNECT CIRCUIT WB FROM COACH WIRING TO RED WIRE ON REMOTE PANEL.
- 9. INSTALL GASKET ON BACK SIDE OF ONE PLACE AFTER INSTALLATION OF THERMOSTAT, MAKING SURE THAT THE GASKET COVERS AND SEALS THE HOLE THAT THE WIRES PASS THROUGH

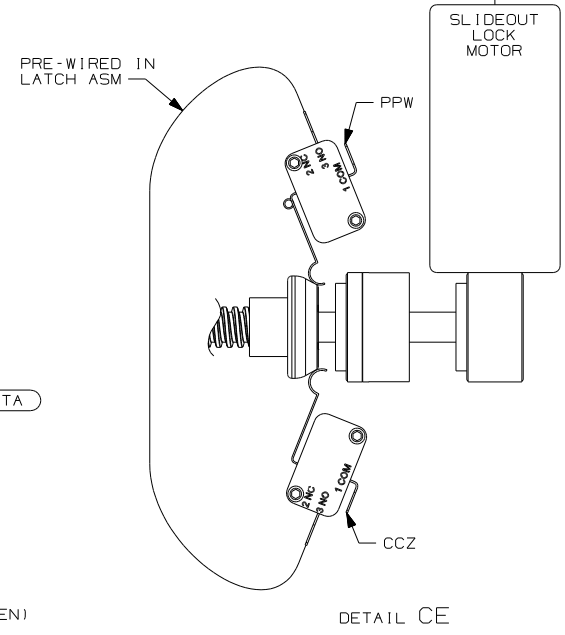
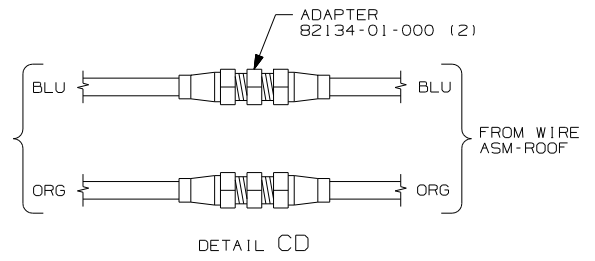
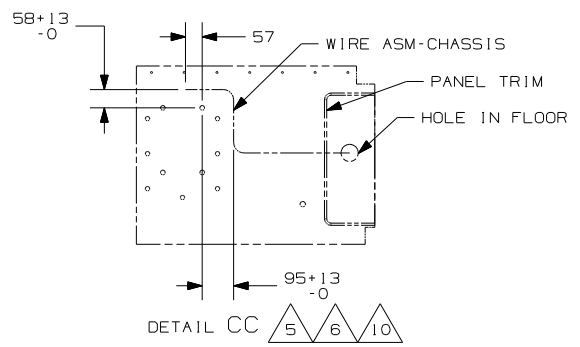


- (25D) STEREO SYSTEM/W/CD/DVD REAR
- (WIN) WINNEBAGO ONLY
- (ITA) ITASCA ONLY
- (265) CODES/STANDARDS-CSA/CMVSS
- (1B1) CODES/STANDARDS USA

FIRST USED	
07 R40FD	
DO NOT SCALE DRAWING	
TITLE: WIRING INSTL-BODY, 12V	
SHEET 2	PART NO 157674

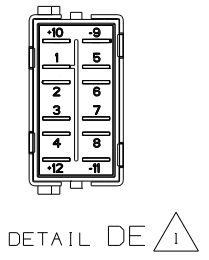
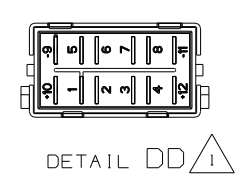
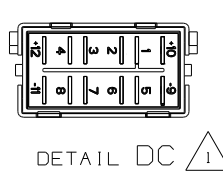
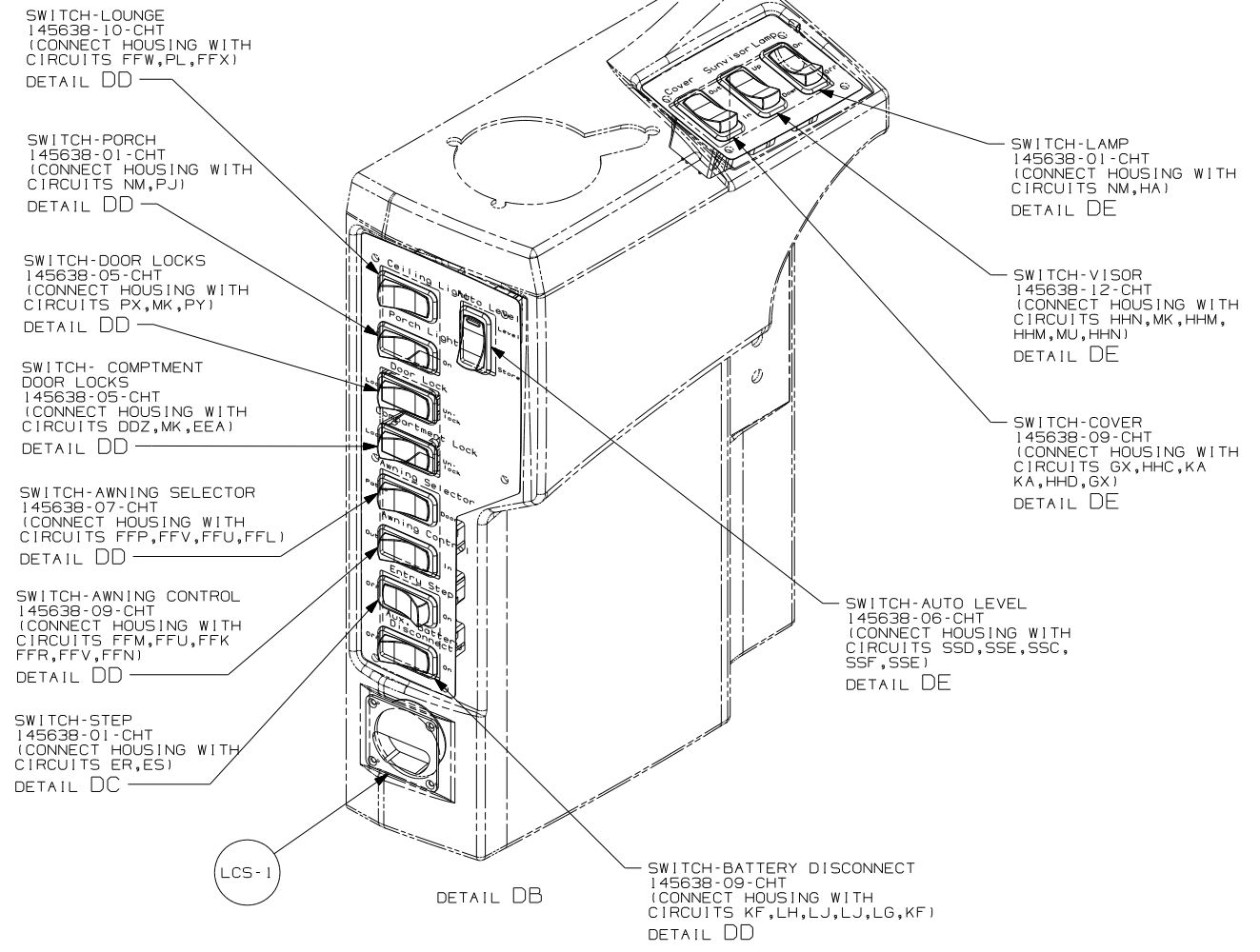
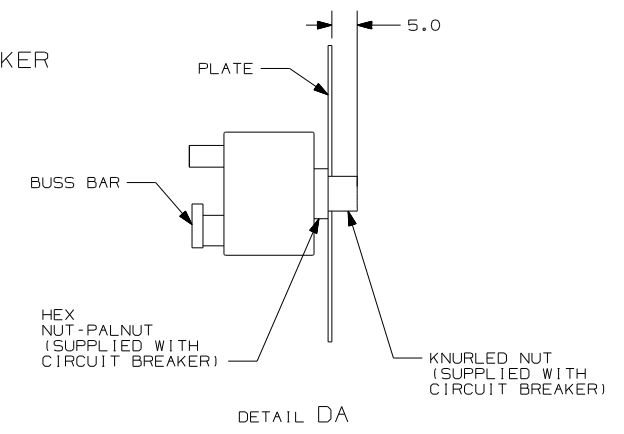
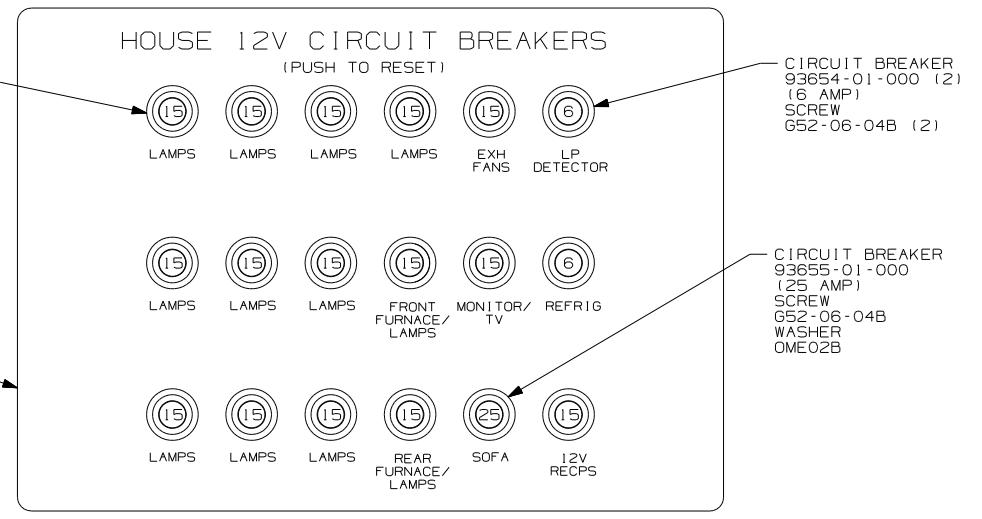
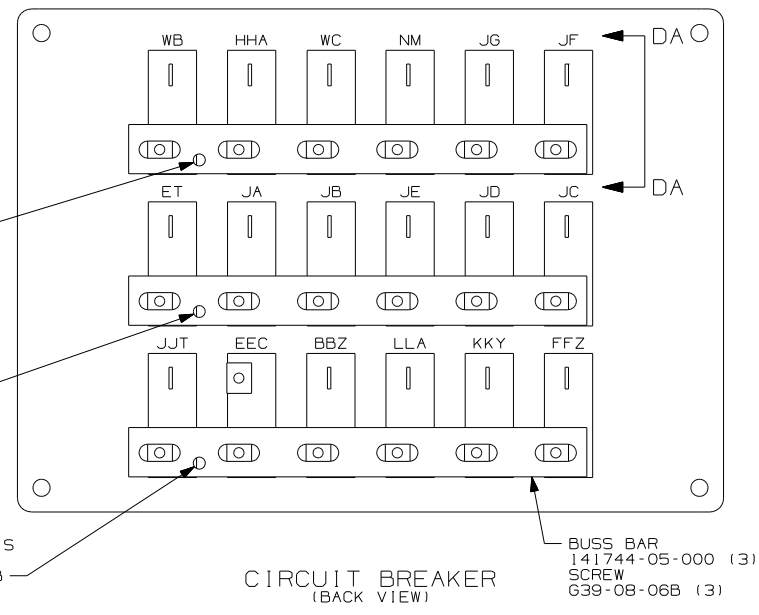


- 13 WITHOUT (43M) TIE BACK TO MAIN WIRE ASM. (21L) OR (21K) WIRE ASM-EXTENSION 133572-01-018
  - 12 WITHOUT (64J) TIE BACK TO MAIN WIRE ASM.
  - 11 ROUTE SLIDEOUT ASM ALONG REAR SLIDEOUT ARM.
  - 10 CONNECT TELEPHONE WIRES TO MATCHING COLORS ON PLATE TELEPHONE.
  - 9 WIRES ROUTE UP THRU FLOOR IN THIS AREA.
  - 8 ROUTE WIRE UNDER CARPET AS SHOWN.
  - 7 SEE WIRING INSTL-FRONT END FOR ADDITIONAL INFORMATION.
  - 6 MOUNT MAGNET USING PILOT HOLES IN SCREEN DOOR FRAME. MOUNT WITH MAGNET TOWARD SWITCH.
  - 5 MOUNT SWITCH AND SPACER TO BLOCK ON JAMB, ADJUST HEIGHT TO MATCH MAGNET.
2. SEE WIRING DIAGRAM-BODY FOR ADDITIONAL INFORMATION.
1. ALL WIRES TO BE SECURED WITH CLAMP 10495 OR 10497 OR WIRE TIE 8343 OR 108046 EVERY 600MM, USE SCREW G67-XX-XXX OR G56-XX-XXX AS APPROPRIATE FOR INSTALLATION.



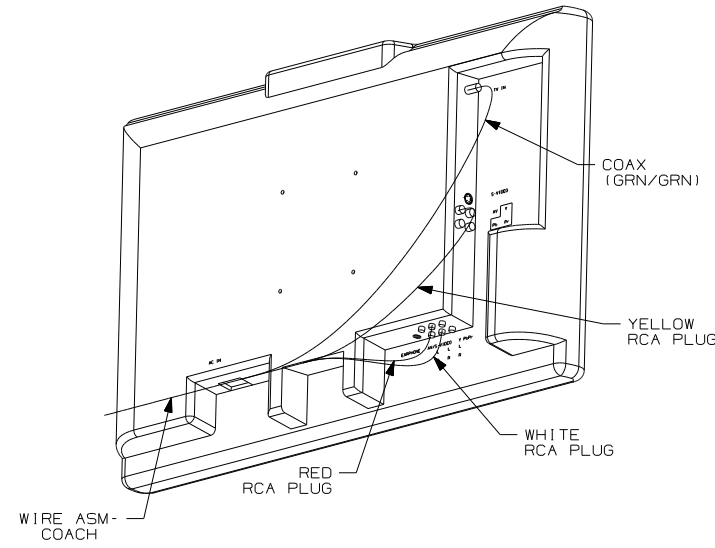
- (95I) STAINLESS STEEL PACKAGE
- (64J) SEAT PED-6-WAY DR/PASS POWER
- (43M) TOILET PORCELAIN-ELONGATE
- (21K) DINING/COMPUTER TABLE/CHAIRS
- (21L) DINING TABLE/CHAIRS
- (14W) DINETTE
- (WIN) WINNEBAGO ONLY
- (ITA) ITASCA ONLY
- (265) CODES/STANDARDS-CSA/CMVSS
- (1B1) CODES/STANDARDS USA

FIRST USED		07 R40FD	
DO NOT SCALE DRAWING			
TITLE: WIRING INSTL-BODY, 12V			
SHEET 3	PART NO	157674	REV

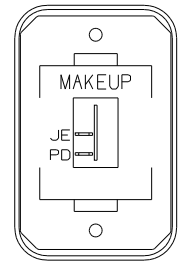


NOTES:  
 1 DETAIL IS LOOKING AT SWITCH FROM THE BACKSIDE OF THE SWITCH.

FIRST USED	07 R40FD	
TITLE	DO NOT SCALE DRAWING	
	WIRING INSTL-BODY, 12V	
SHEET 4	PART NO 157674	REV

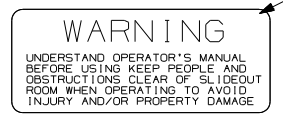
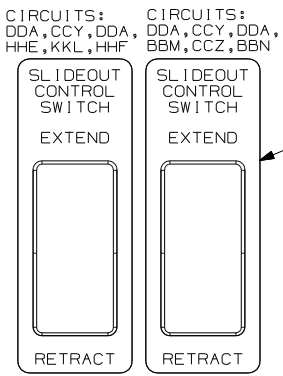


DETAIL EN



DETAIL EA

SWITCH-ROCKER  
135740-01-CHT  
SWITCH-BASE  
135741-01-CHT  
SWITCH-BEZEL  
135742-08-CHT  
SCREW  
G11-08-08U (2)

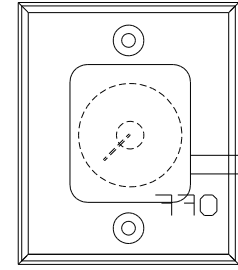


DETAIL EE

SLIDEOUT CONTROL SWITCH  
EXTEND  
RETRACT

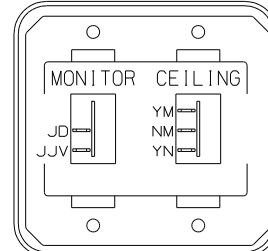
PLATE-SWITCH  
144363-10-CHT (2)  
SWITCH  
108357-06-000 (2)  
ACTUATOR  
108356-01-CHT (2)  
NUT  
D65-08-00B (4)  
LABEL  
116220-01-000 (2)

LABEL-WARNING  
116549-02-000



DETAIL EH

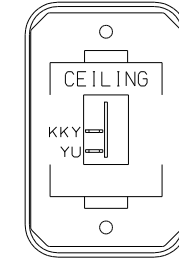
SWITCH  
137889-01-000  
SCREW  
G11-06-10U (2)



DETAIL EB

MONITOR CEILING

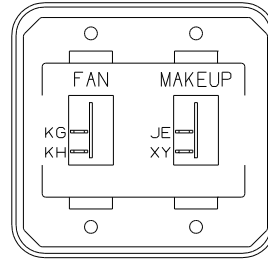
SWITCH-ROCKER  
135740-01-CHT  
135740-02-CHT  
SWITCH-BASE  
135741-02-CHT  
SWITCH-BEZEL  
135742-31-CHT  
SCREW  
G11-08-08U (4)



DETAIL EF

CEILING

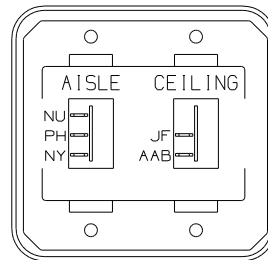
SWITCH-ROCKER  
135740-01-CHT  
SWITCH-BASE  
135741-01-CHT  
SWITCH-BEZEL  
135742-07-CHT  
SCREW  
G11-08-08U (2)



DETAIL EJ

FAN MAKEUP

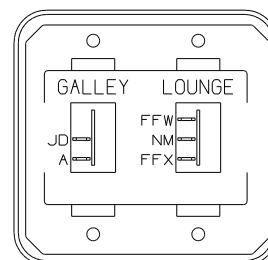
SWITCH-ROCKER  
135740-01-CHT (2)  
SWITCH-BASE  
135741-02-CHT  
SWITCH-BEZEL  
135742-38-CHT  
SCREW  
G11-08-08U (4)



DETAIL EK

AISLE CEILING

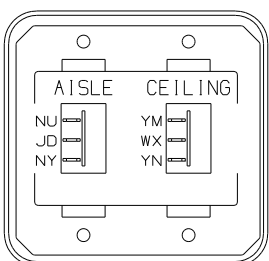
SWITCH-ROCKER  
135740-01-CHT  
135740-02-CHT  
SWITCH-BASE  
135741-02-CHT  
SWITCH-BEZEL  
135742-13-CHT  
SCREW  
G11-08-08U (4)



DETAIL EC

GALLEY LOUNGE

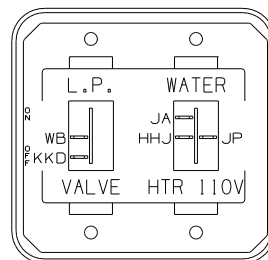
SWITCH-ROCKER  
135740-01-CHT  
135740-02-CHT  
SWITCH-BASE  
135741-02-CHT  
SWITCH-BEZEL  
135742-18-CHT  
SCREW  
G11-08-08U (4)



DETAIL EG (412)

AISLE CEILING

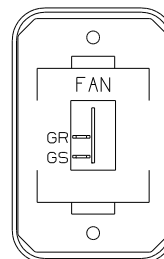
SWITCH-ROCKER  
135740-02-CHT (2)  
SWITCH-BASE  
135741-02-CHT  
SWITCH-BEZEL  
135742-13-CHT  
SCREW  
G11-08-08U (4)



DETAIL EL

L.P. WATER

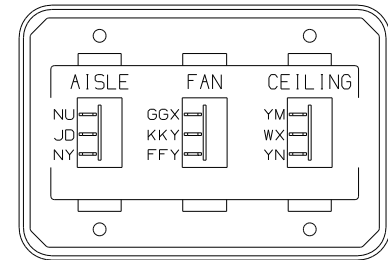
SWITCH-ROCKER  
135740-01-CHT  
135740-06-CHT  
SWITCH-BASE  
135741-02-CHT  
SWITCH-BEZEL  
135742-34-CHT  
SCREW  
G11-08-08U (4)



DETAIL ED

FAN

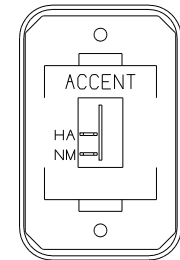
SWITCH-ROCKER  
135740-01-CHT  
SWITCH-BASE  
135741-01-CHT  
SWITCH-BEZEL  
135742-12-CHT  
SCREW  
G11-08-08U (2)



DETAIL EG (41Y)

AISLE FAN CEILING

SWITCH-ROCKER  
135740-02-CHT (2)  
135740-04-CHT  
SWITCH-BASE  
135741-03-CHT  
SWITCH-BEZEL  
135742-23-CHT  
SCREW  
G11-08-08U (4)  
WIRE ASM-RESISTOR  
140195-01-000



DETAIL EM

ACCENT

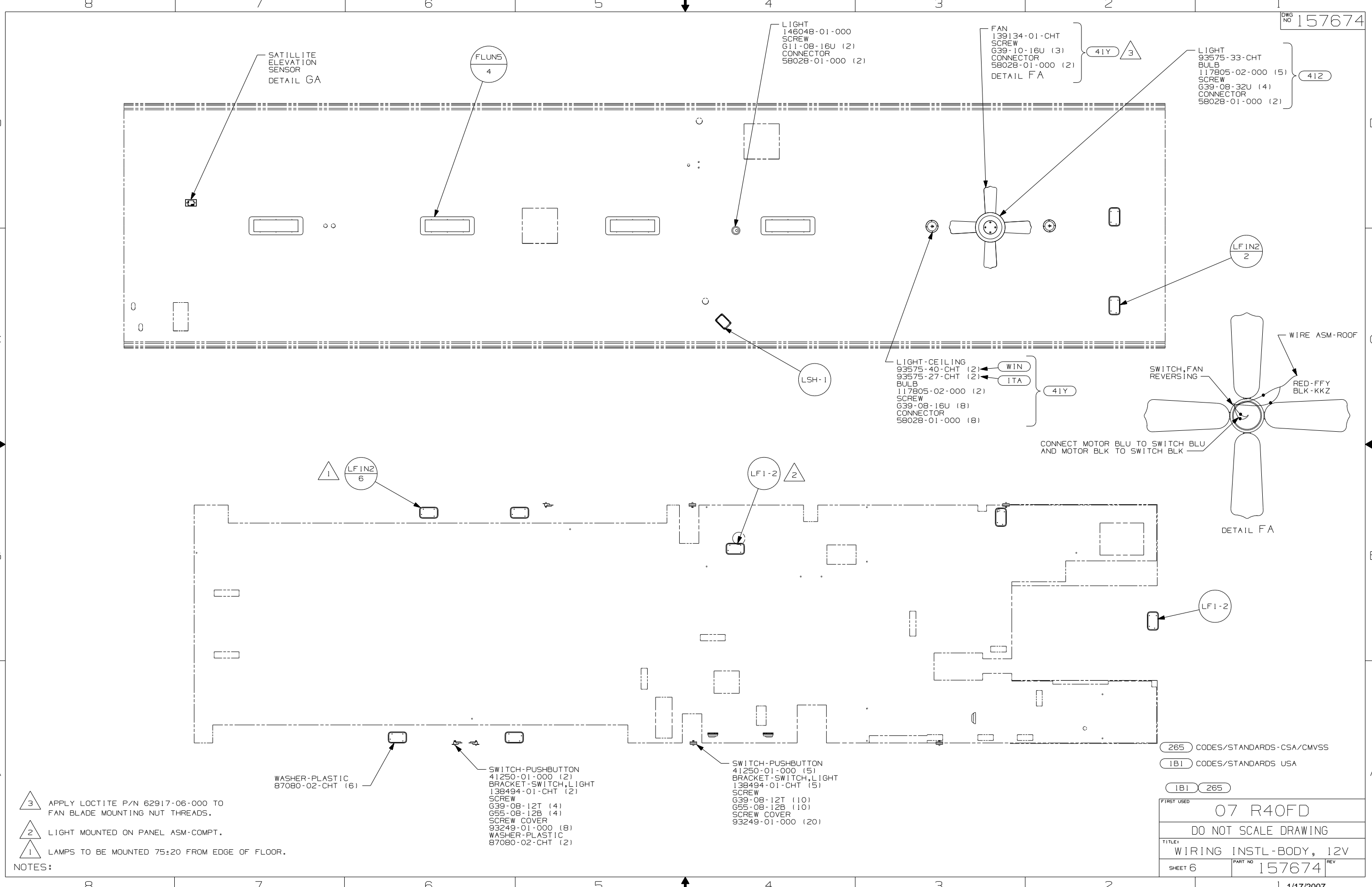
SWITCH-ROCKER  
135740-01-CHT  
SWITCH-BASE  
135741-01-CHT  
SWITCH-BEZEL  
135742-50-CHT  
SCREW  
G11-08-08U (2)

- (41Y) FAN - CEILING\_BEDROOM
- (412) DECORATIVE LIGHT - CEILING
- (265) CODES/STANDARDS-CSA/CMVSS
- (1B1) CODES/STANDARDS USA

(1B1) (265)

FIRST USED		
07 R40FD		
DO NOT SCALE DRAWING		
TITLE:		
WIRING INSTL-BODY, 12V		
SHEET 5	PART NO	REV
	157674	

NOTES:  
1 CONNECT WIRE ASM-RESISTOR, FAN TO 2-PIN HOUSING LOCATED BY THE SWITCH WIRES.



- 3 APPLY LOCTITE P/N 62917-06-000 TO FAN BLADE MOUNTING NUT THREADS.
- 2 LIGHT MOUNTED ON PANEL ASM-COMPT.
- 1 LAMPS TO BE MOUNTED 75±20 FROM EDGE OF FLOOR.

NOTES:

WASHER-PLASTIC  
87080-02-CHT (6)

SWITCH-PUSHBUTTON  
41250-01-000 (5)  
BRACKET-SWITCH,LIGHT  
138494-01-CHT (5)  
SCREW  
639-08-12T (10)  
655-08-12B (10)  
SCREW COVER  
93249-01-000 (20)  
WASHER-PLASTIC  
87080-02-CHT (2)

SWITCH-PUSHBUTTON  
41250-01-000 (5)  
BRACKET-SWITCH,LIGHT  
138494-01-CHT (5)  
SCREW  
639-08-12T (10)  
655-08-12B (10)  
SCREW COVER  
93249-01-000 (20)

LIGHT-CEILING  
93575-40-CHT (2)  
93575-27-CHT (2)  
BULB  
117805-02-000 (2)  
SCREW  
639-08-16U (8)  
CONNECTOR  
58028-01-000 (8)

LIGHT  
146048-01-000  
SCREW  
611-08-16U (2)  
CONNECTOR  
58028-01-000 (2)

FAN  
139134-01-CHT  
SCREW  
639-10-16U (3)  
CONNECTOR  
58028-01-000 (2)  
DETAIL FA

LIGHT  
93575-33-CHT  
BULB  
117805-02-000 (5)  
SCREW  
639-08-32U (4)  
CONNECTOR  
58028-01-000 (2)

SWITCH,FAN REVERSING

CONNECT MOTOR BLU TO SWITCH BLU AND MOTOR BLK TO SWITCH BLK

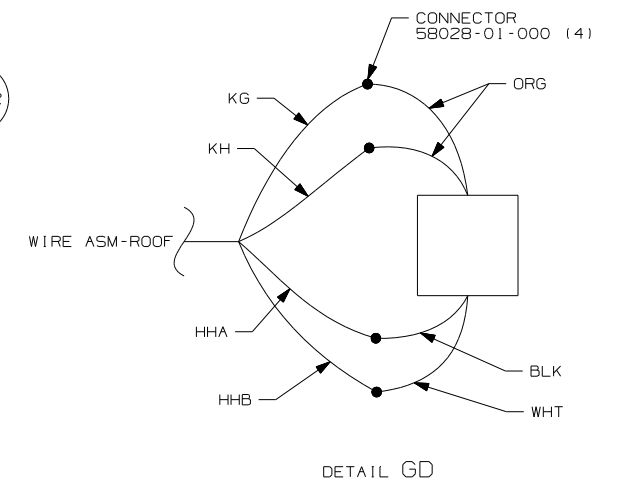
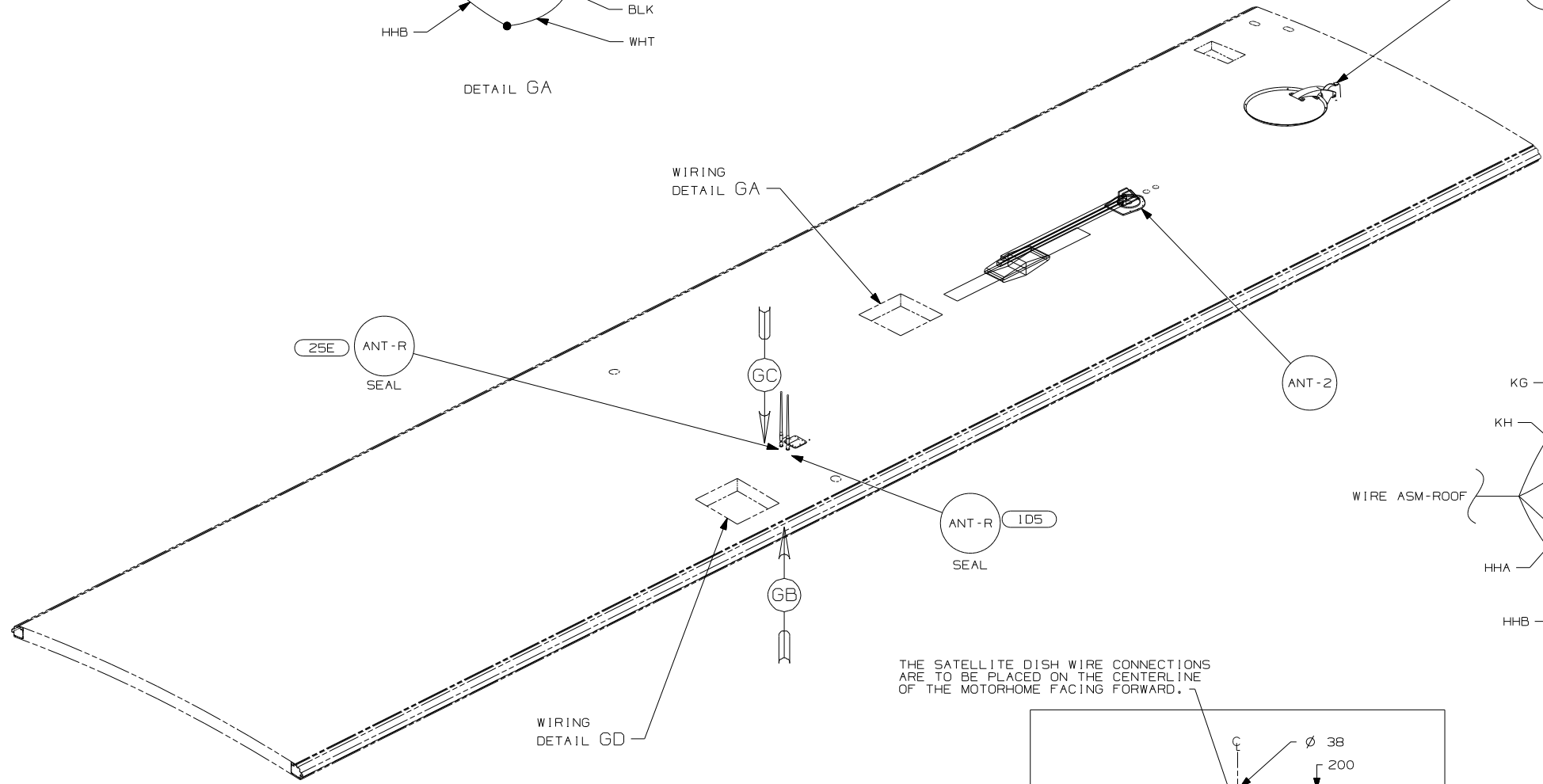
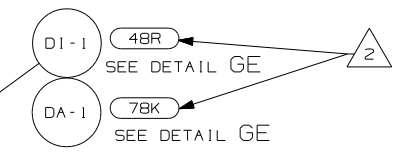
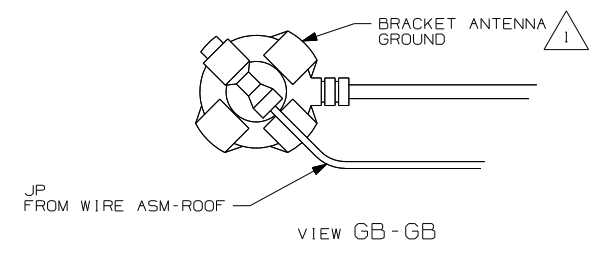
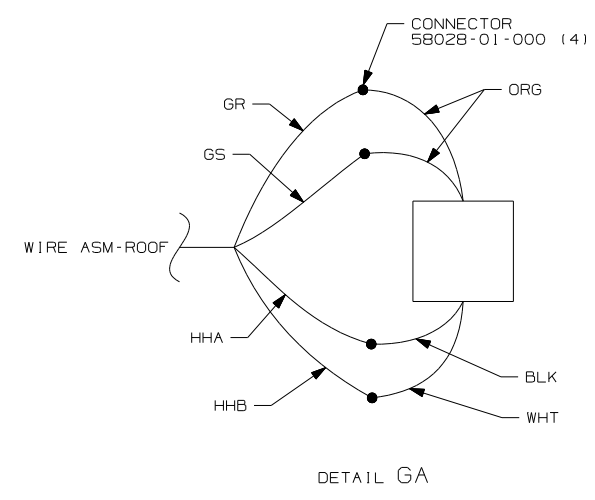
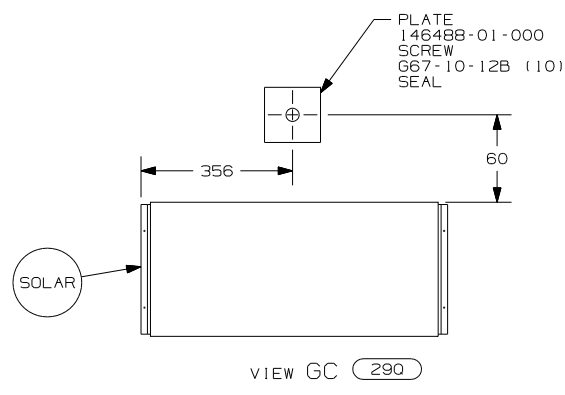
DETAIL FA

265 CODES/STANDARDS-CSA/CMVSS

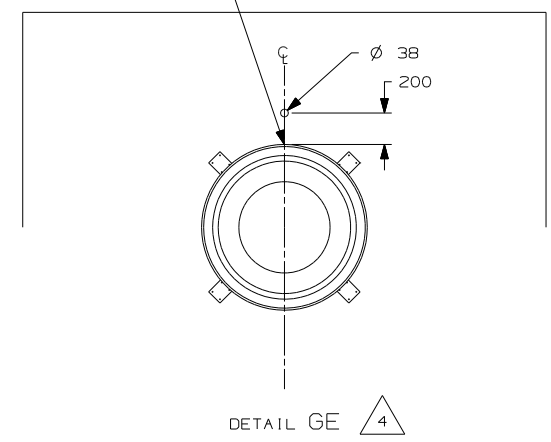
1B1 CODES/STANDARDS USA

1B1 265

FIRST USED	07 R40FD	
TITLE	DO NOT SCALE DRAWING	
TITLE	WIRING INSTL-BODY, 12V	
SHEET 6	PART NO	157674
	REV	



THE SATELLITE DISH WIRE CONNECTIONS ARE TO BE PLACED ON THE CENTERLINE OF THE MOTORHOME FACING FORWARD.



- NOTES:
- △ 4 REMOVE ALL SHIPPING RESTRAINTS AND FIRMLY INSERT THE SUPPLIED PLUGS INTO THE APPROPRIATE SIZED HOLES AS SPECIFIED IN THE INSTALLATION PROCESS.
  - △ 3 SENSOR SUPPLIED WITH SATELLITE ASSEMBLY.
  - △ 2 SEE MANUFACTURER'S INSTALLATION FOR ADDITIONAL INFORMATION.
  - △ 1 WRAP BRACKET LEGS AROUND ANTENNA BASE.

- (48R) SAT. SYS. IN-MOTION W/O RCVR.
- (290) SOLAR PANEL - 10 WATT
- (25E) REAR STEREO SYSTEM W/CD
- (1D5) ENTERTAINMENT CTR/EXT W/CD
- (78K) SATELLITE DISH-AUTOMATIC
- (265) CODES/STANDARDS-CSA/CMVSS
- (1B1) CODES/STANDARDS USA

FIRST USED		07 R40FD	
DO NOT SCALE DRAWING			
TITLE: WIRING INSTL-BODY, 12V			
SHEET 7	PART NO	157674	REV