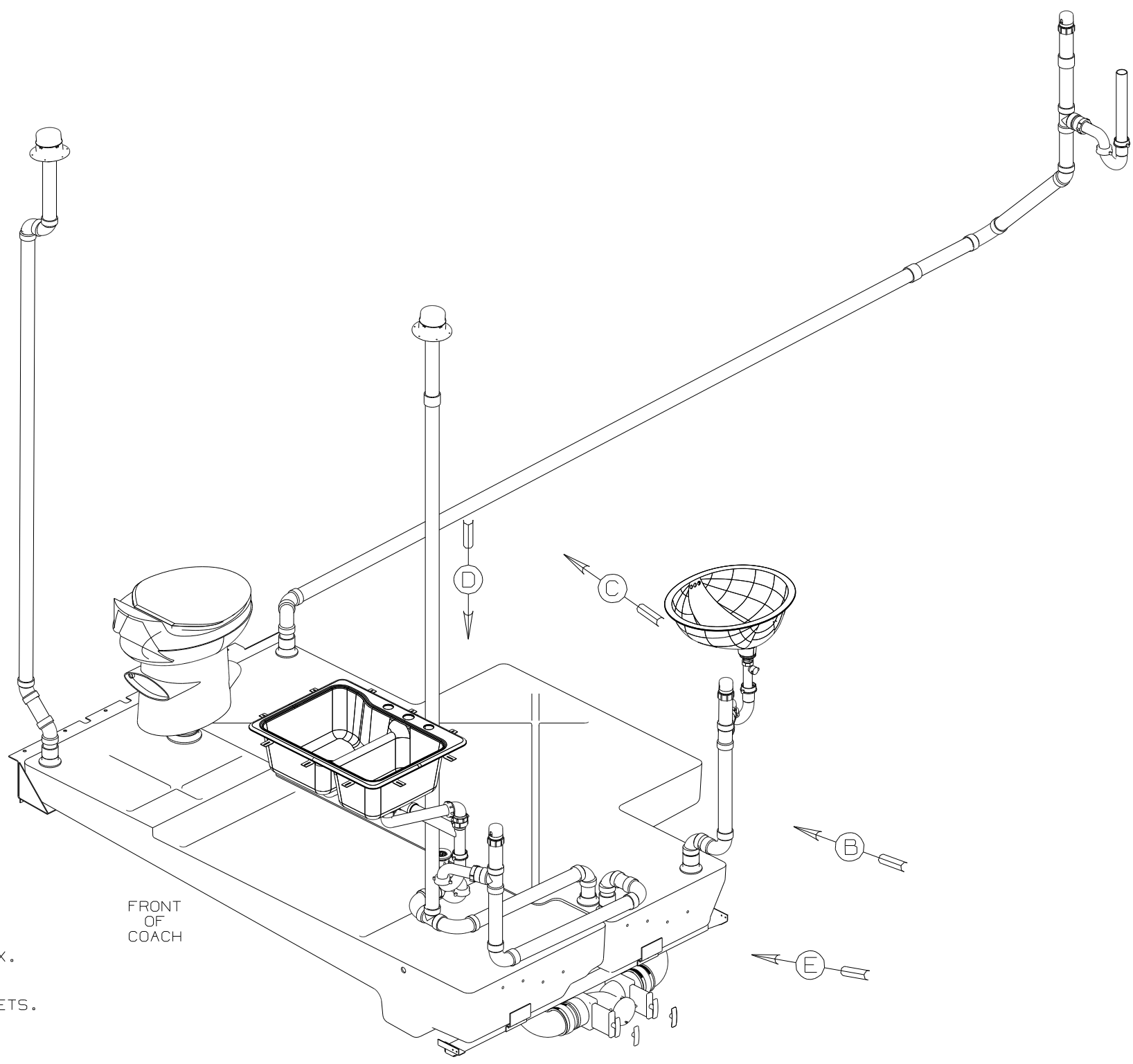


DWG NO	-----
157119-01	(WIN)
157119-02	(ITA)

RELEASE	REV DATE	DWG NO
A		157119
REV ZONE	REVISION RECORD	DATE
		DFTR-0R16



- (WIN) WINNEBAGO ONLY
- (ITA) ITASCA ONLY
- (IBI) CODES/STANDARDS-USA
- (265) CODES/STDS-CSA/CMVSS
- (21M) WASHER/DRYER PREP
- (43Q) TOILET-PORCELAIN

- 8 VENT PIPE MUST PROJECT 51 MIN AND 64 MAX. ABOVE ROOF FOR PROPER FIT AND FUNCTION.
7. SEE DWG 61607-01-000 FOR INSTL OF GROMMETS.
6. SEAL ALL AROUND SHOWER WITH SILICONE.
- 5 SECURE VENT TUBES TO FLOOR WITH BRACKET.
4. ALL EXTERIOR OPENINGS AROUND PIPE TO BE SEALED WITH 110744-01-000.
3. ALL PIPE AND FITTINGS TO BE ASSEMBLED WITH SOLVENT 4020-01-000.
2. SLOPE OF TRAP ARM MUST BE 6 PER 305.
1. SLOPE OF HORIZONTAL PIPING TO BE 6 PER 305 mm.

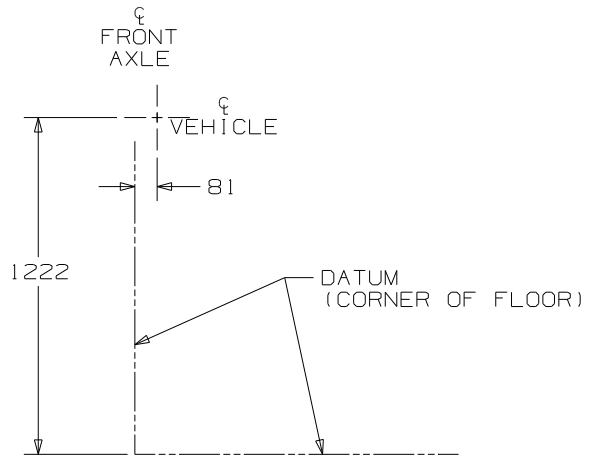
NOTES:

(X-X)  
FOR DRAINAGE CALLOUTS SEE DWG NO 116229-01-000

<b>WINNEBAGO</b>		COPYRIGHT 2006 WINNEBAGO INDUSTRIES, INC.	
DFTR	ORIG. DATE	ALL DIMENSIONS ARE IN MILLIMETERS	
CHKR		FIRST USED	
P.E.		07 R40FD	
M.E.		UNSPECIFIED TOLERANCES ARE:	
DSNR		MATERIAL:	
		WHOLE DIM (X) :	3
		ONE-PLACE (X.X) :	
		TWO-PLACE (X.XX) :	
		ANGLE :	
THIRD ANGLE PROJECTION		DO NOT SCALE DRAWING	
TITLE: DRAINAGE SYSTEM INSTL			
SHEET 1 OF 4	PART NO	157119	REV
REF:	1 11/1/2006		



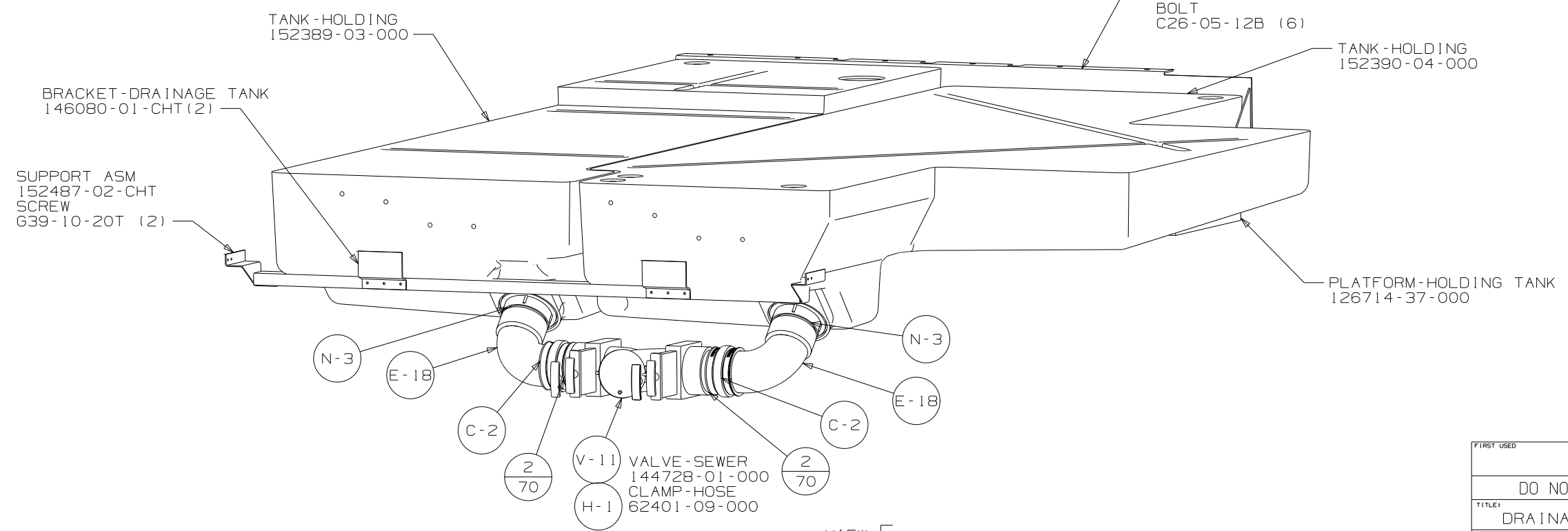
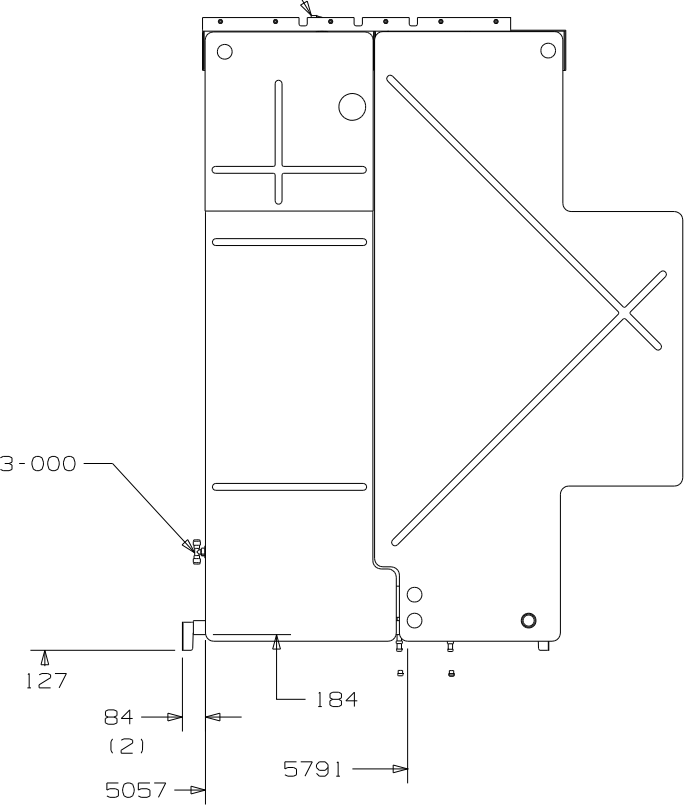




VIEW D

ELBOW  
114429-02-000  
(FLUSHING SYSTEM)

TEE  
114428-03-000

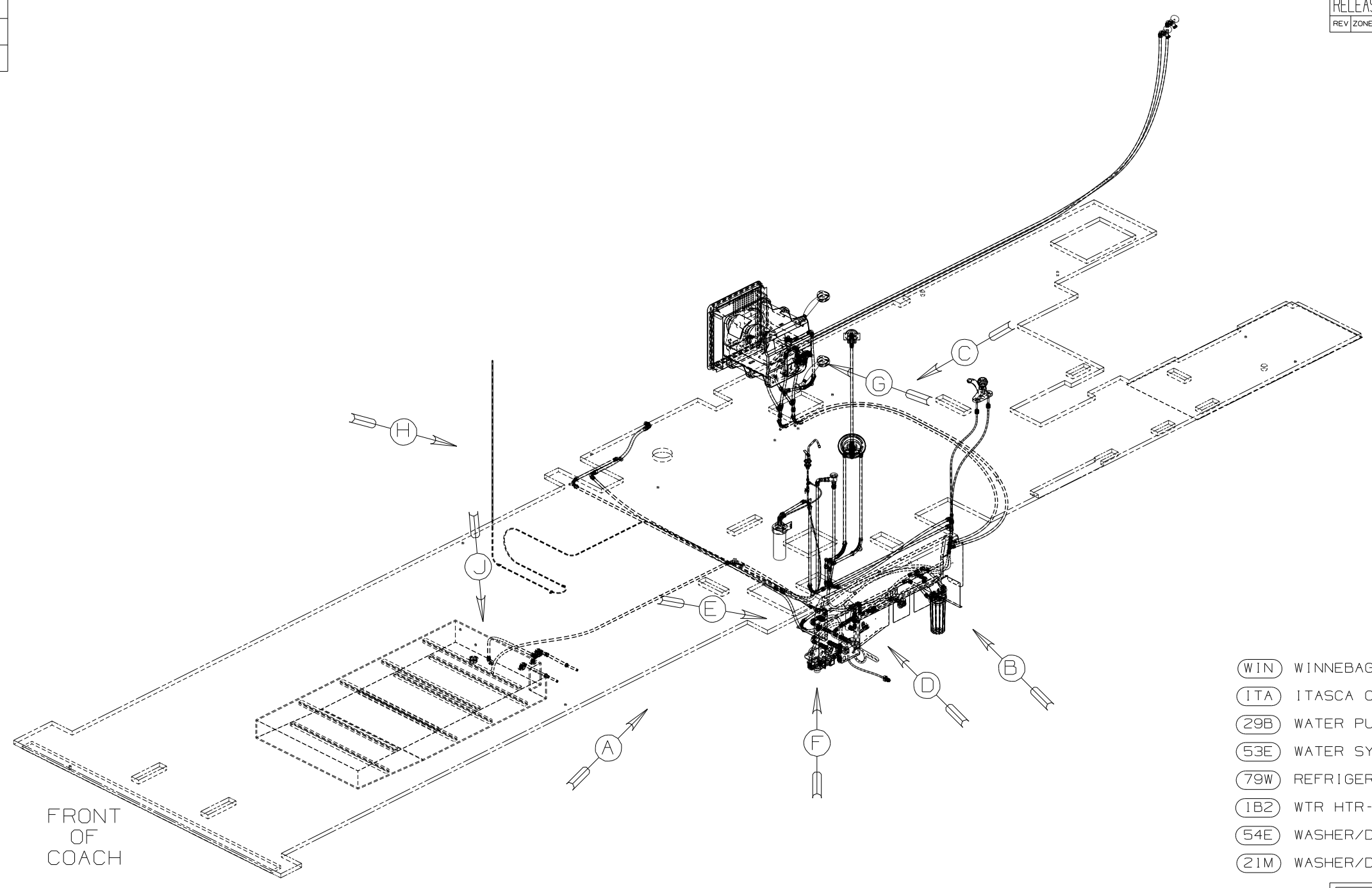


VIEW E

FIRST USED	07 R40FD	
TITLE	DRAINAGE SYSTEM INSTL	
SHEET 4	PART NO	157119
	REV	

DWG NO	----
157120-01	(WIN)
157120-02	(ITA)

RELEASE	REV DATE	DWG NO
A		157120
REV ZONE	REVISION RECORD	DATE



- (WIN) WINNEBAGO ONLY
- (ITA) ITASCA ONLY
- (29B) WATER PURIFICATION SYSTEM
- (53E) WATER SYSTEM WINTERIZATION PKG
- (79W) REFRIGERATOR-4 DOOR
- (1B2) WTR HTR-10 GA/ELEC/LP/MTRAITD
- (54E) WASHER/DRYER
- (21M) WASHER/DRYER PREP

- △6 ADD TEFLON TAPE 10405-03-000.
  - △5 ADD TEFLON TAPE 10405-02-000.
  - △4 ADD TEFLON TAPE 10405-01-000.
3. ALL TUBING TO BE SECURED AT 1200 INTERVALS MAXIMUM WITH CLAMP 10495-01-000 AND SCREW G67-10-12B, OR EQUIVALENT OR ZIP TIE
  2. TUBING TO BE INSTALLED WITH SUFFICIENT SLOPE TO PROVIDE DRAINAGE TO NEAREST VALVE.
  1. PLASTIC FITTINGS TO BE SEALED WITH SEALANT 84456-01-000.

NOTES:

(X-X)  
FOR  
WATER  
CALLOUTS  
SEE DWG NO  
116230-01-000

<b>WINNEBAGO</b>		COPYRIGHT 2007 WINNEBAGO INDUSTRIES, INC.	
D/FR	ORIG. DATE	ALL DIMENSIONS ARE IN MILLIMETERS	
CHKR		FIRST USED	
P.E.		07 R40FD	
M.E.		UNSPECIFIED TOLERANCES ARE:	
DSNR		MATERIAL:	
		WHOLE DIM (X) :	7
		ONE-PLACE (X.X) :	
		TWO-PLACE (X.XX) :	
		ANGLE :	
THIRD ANGLE PROJECTION		DO NOT SCALE DRAWING	
TITLE: WATER SYSTEM INSTL			
SHEET 1 OF 5	PART NO	157120	REV
REF:	1 1/12/2007		

WATER HEATER  
 145541-01-000 (1B2)  
 DOOR  
 125420-05-CHT  
 SCREW  
 G39-10-10U (16)  
 CABLE ASM  
 76767-03-000  
 SCREW  
 113563-01-CHT (2)  
 SEALANT  
 69640-14-000  
 112864-01-000  
 AL EXTR  
 160204-51-001 (2)  
 160204-51-003 (2)  
 FLANGE-WATER HEATER  
 152239-02-CHT

BRACKET-VALVE,BYPASS,HEATER  
 151245-01-CHT  
 CLAMP  
 10497-03-000  
 SCREW  
 G19-10-20B  
 NUT  
 D24-10-00B  
 SCREW  
 G67-10-12U (2)

BREAKER-VACUUM  
 125697-04-000  
 CHECK VALVE  
 125697-03-000

FAUCET-TRIM KIT  
 144596-01-CHT

FAUCET (21M 54E)  
 98419-01-000 (2)

FAUCET-GALLEY  
 123744-03-CHT

FAUCET-WATER PURIFIER  
 103635-01-000

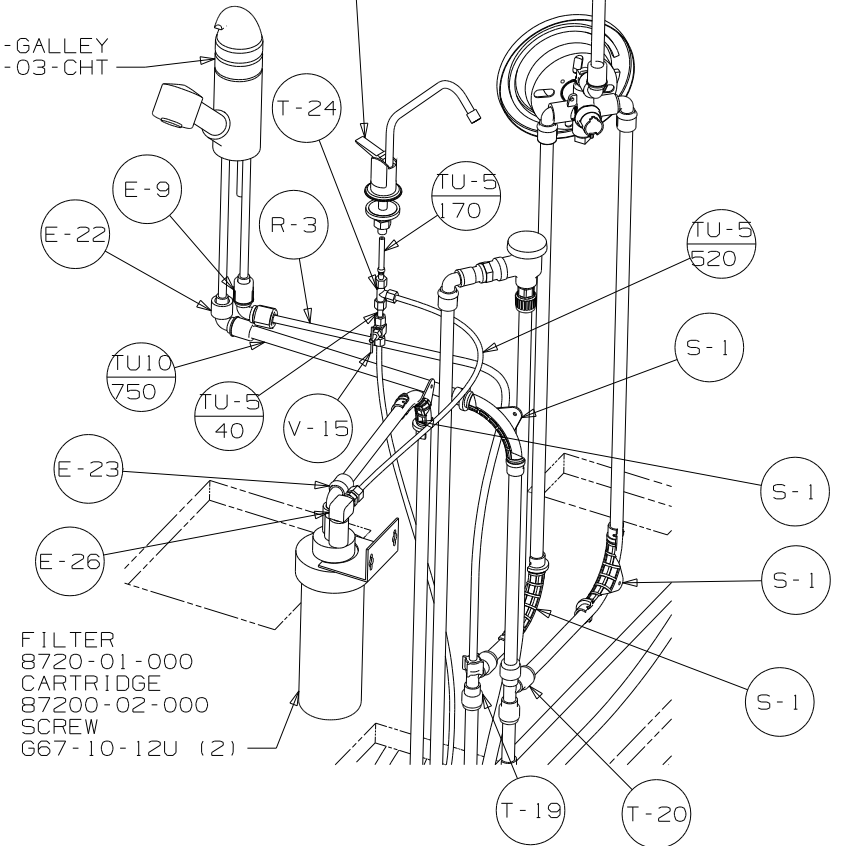
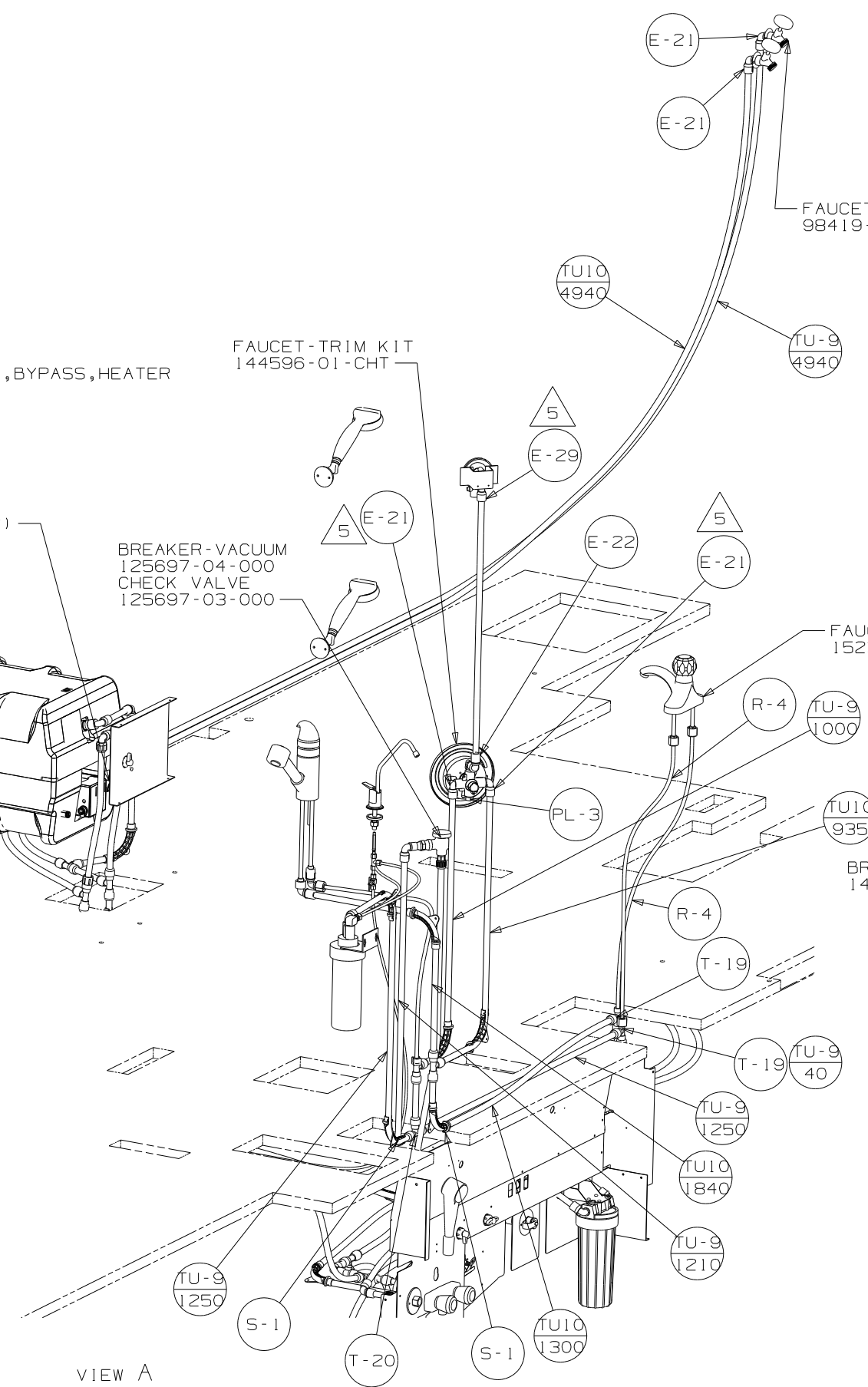
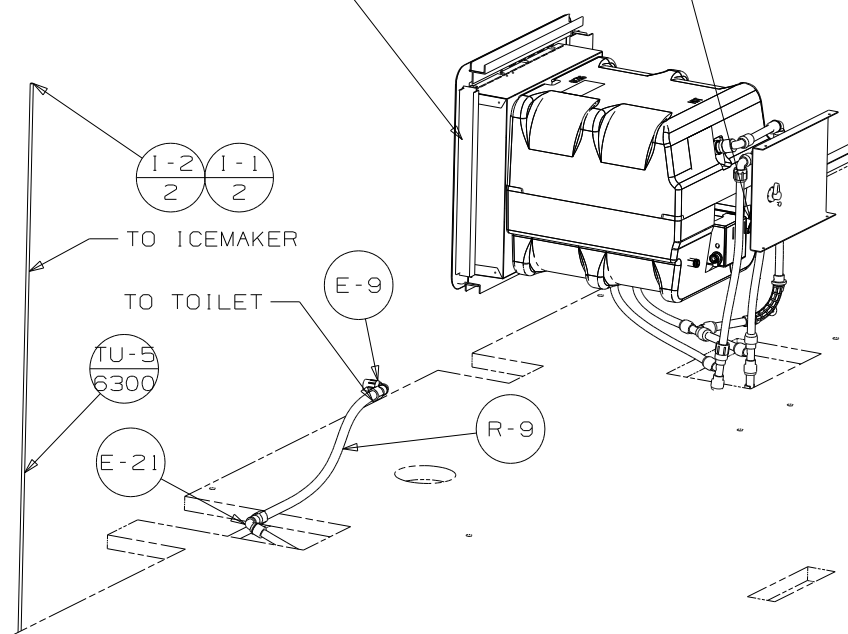
FAUCET-LAV  
 152311-01-CHT

DROP ELL  
 135028-02-CHT  
 VALVE-SHOWER  
 128974-01-CHT  
 SPACER  
 130041-03-CHT

BRACKET-SHOWER HEAD  
 143101-01-CHT

SHOWER HEAD  
 129390-03-CHT

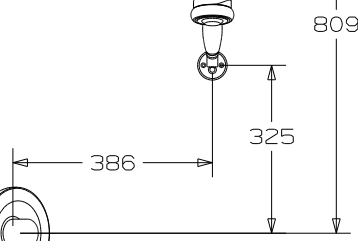
FAUCET-TRIM KIT  
 144596-02-CHT



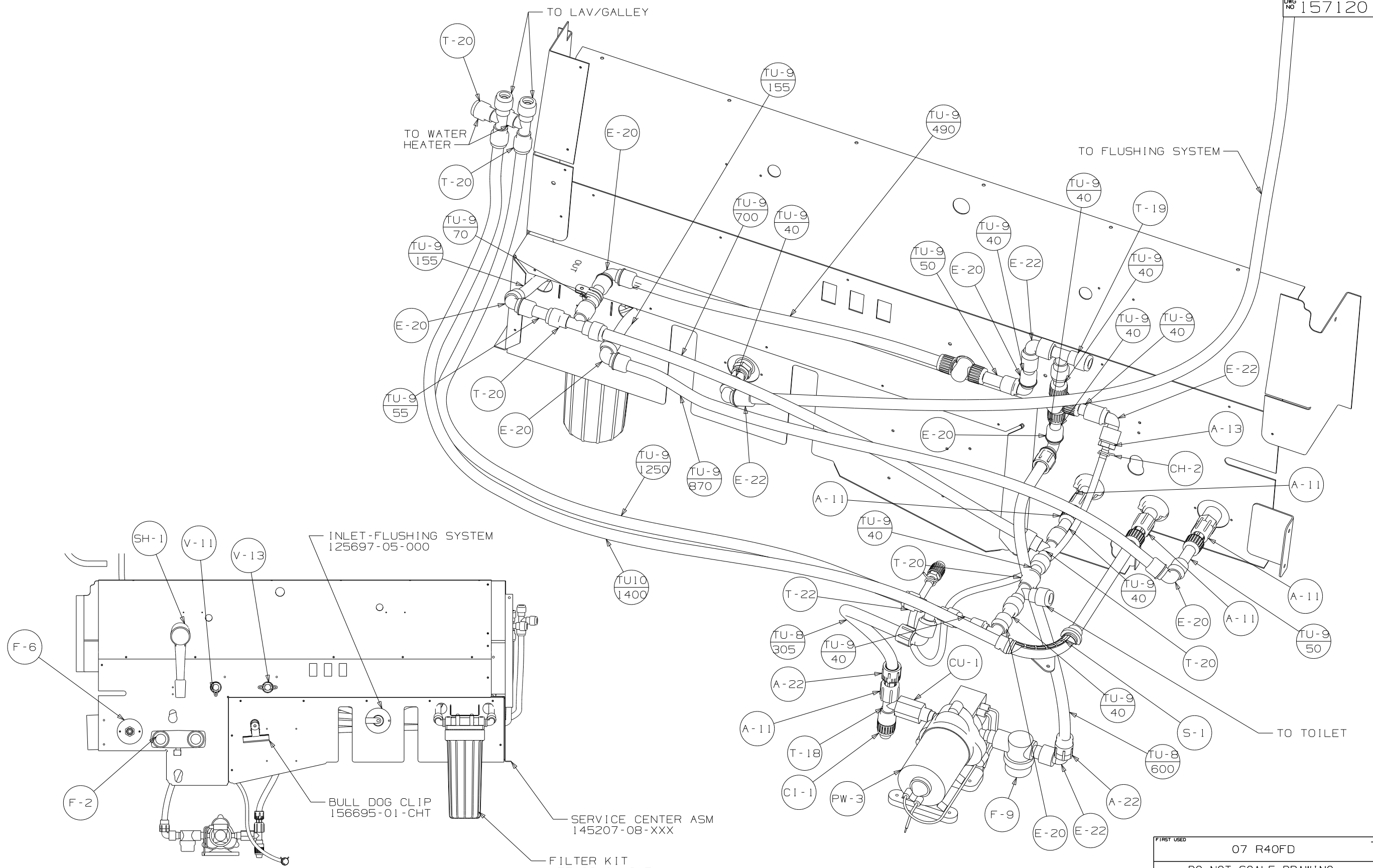
VIEW A

VIEW B

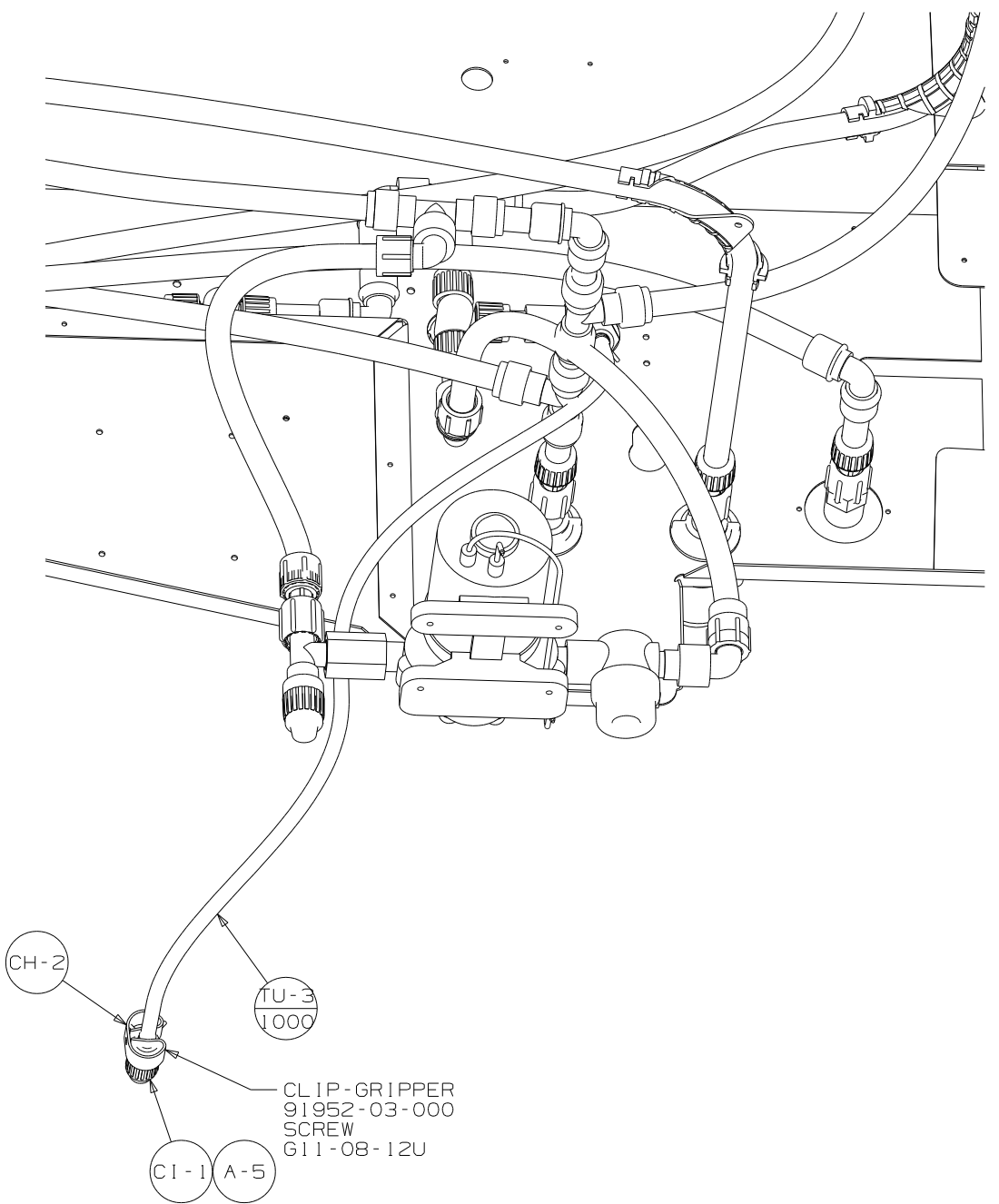
VIEW C



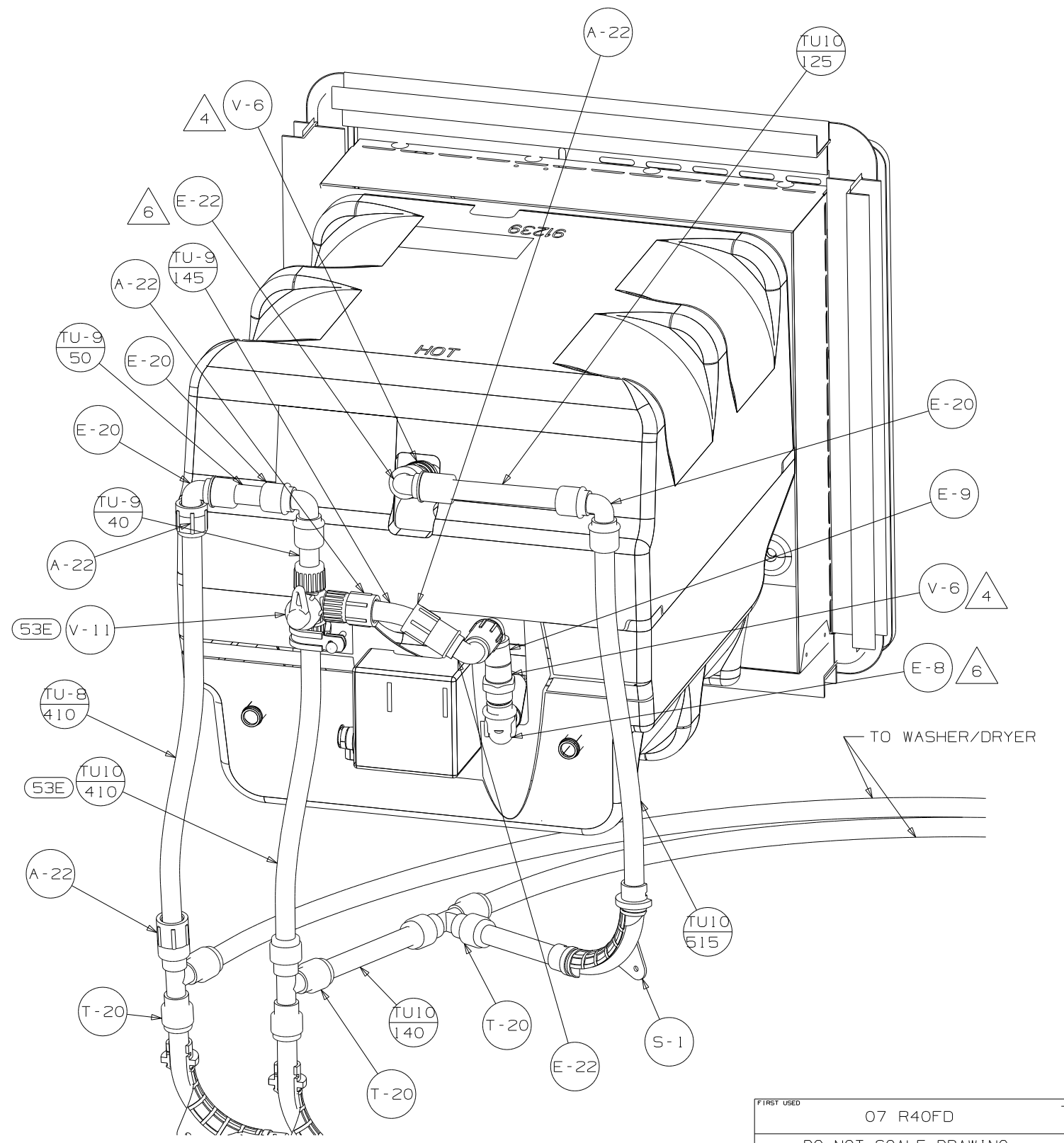
FIRST USED	07 R40FD		
TITLE	DO NOT SCALE DRAWING		
	WATER SYSTEM INSTL		
SHEET 2	PART NO	157120	REV



FIRST USED	07 R40FD	
TITLE	DO NOT SCALE DRAWING	
TITLE	WATER SYSTEM INSTL	
SHEET 3	PART NO	157120
	REV	



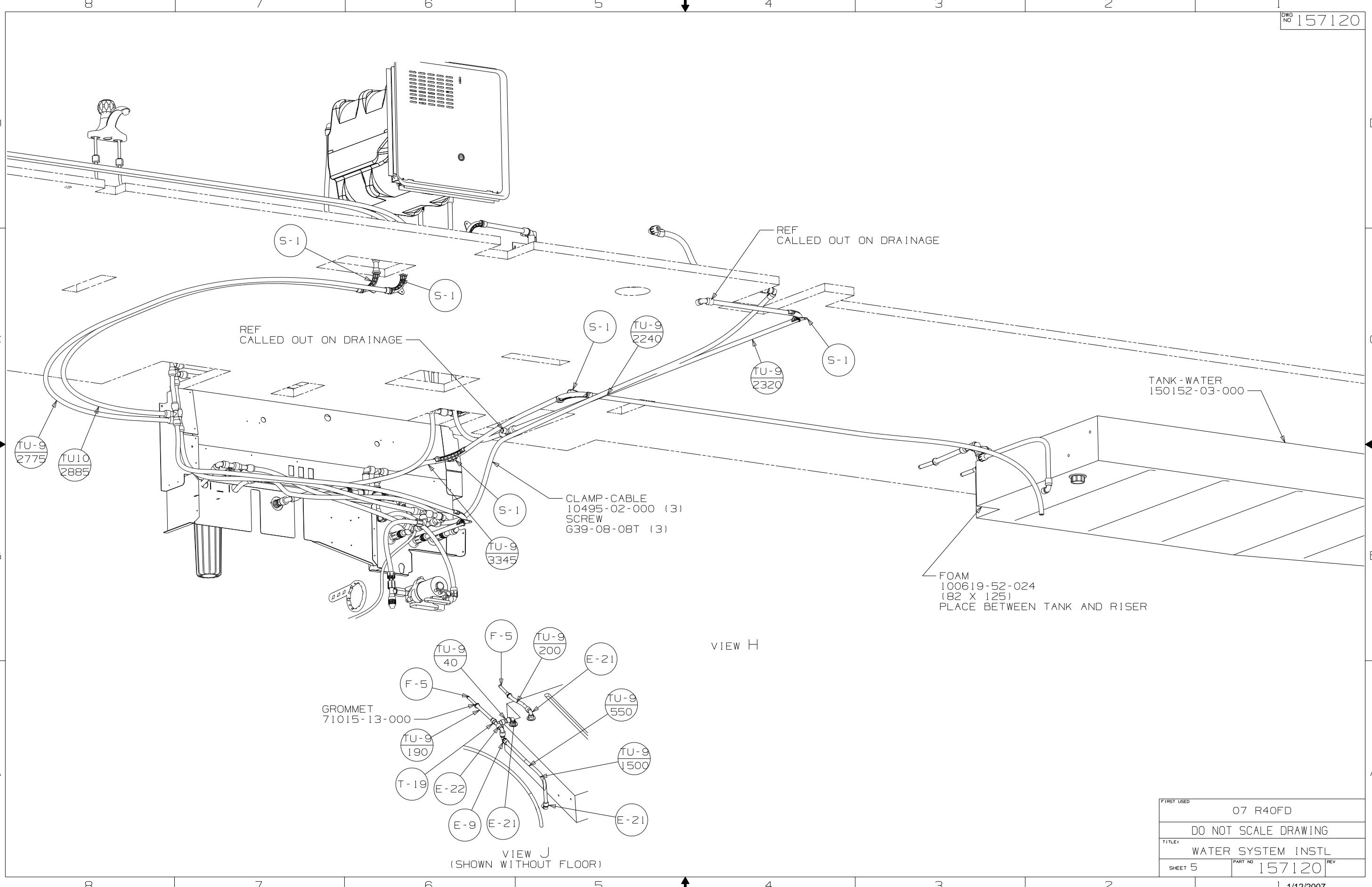
VIEW F



VIEW G

FIRST USED	07 R40FD		
TITLE:	DO NOT SCALE DRAWING		
	WATER SYSTEM INSTL		
SHEET 4	PART NO	157120	REV
			1 1/12/2007





FIRST USED	07 R40FD		
TITLE	DO NOT SCALE DRAWING		
TITLE	WATER SYSTEM INSTL		
SHEET 5	PART NO	157120	REV