



DANGER

Danger of electrical shock, burns or death. Always remove all power sources before attempting any repair, service or diagnostic work. Power can be present from shore power, generator, inverter or battery. All power sources must be disabled and secured before performing any service.

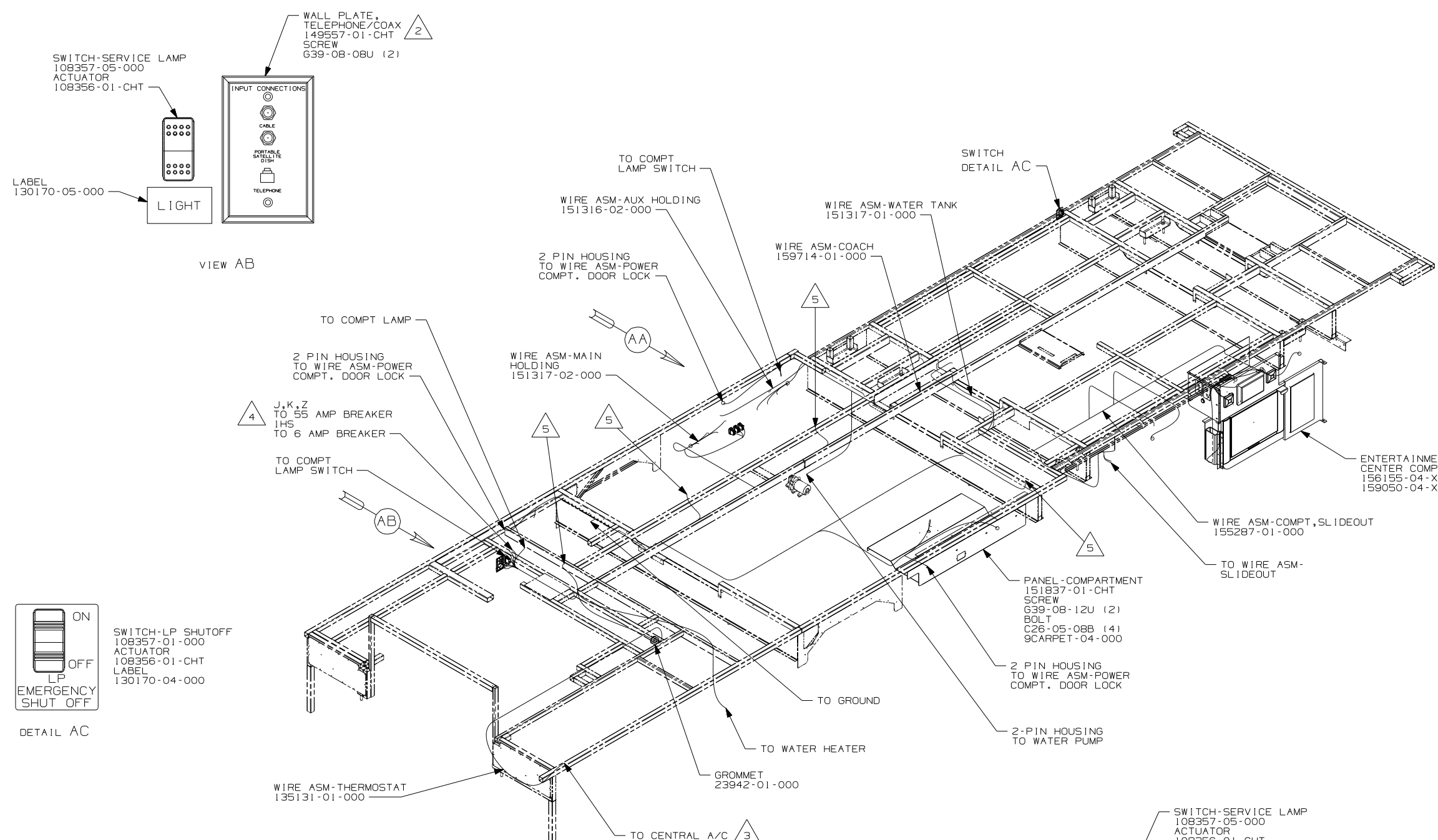


CAUTION

If you lack the skills, tools or equipment to perform diagnostic or repair work leave such work to an authorized Winnebago Industries dealer or other qualified shop.

DRAWING NO.	FEATURE
159711-01	(WIN)
159711-02	(ITA)

RELEASE	REV DATE	DWG NO
A		159711
REV ZONE	REVISION RECORD	DATE DFR-016



- 5 WIRES PASS THRU FLOOR IN THIS AREA.
- 4 SEE WIRING INSTL-CHASSIS FOR ADDITIONAL INFORMATION.
- 3 SEE A/C INSTALLATION FOR ADDITIONAL INFORMATION.
- 2 CONNECT TELEPHONE WIRES TO MATCHING COLORS ON PLATE-TELEPHONE.

1. ALL WIRES TO BE SECURED WITH CLAMP 10495 OR 10497 OR WIRE TIE 8343 OR 108046 EVERY 600MM, USE SCREW G67-XX-XXX OR G56-XX-XXX AS APPROPRIATE FOR INSTALLATION.

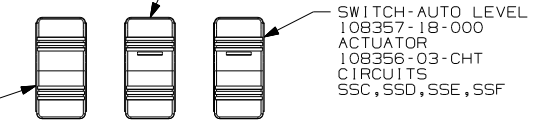
NOTES:

- (ID5) ENTERTAINMENT CENTR/EXT W/CD
- (ID3) ENTERTAINMENT CENTR/EXT TV-DVD
- (ITA) ITASCA ONLY
- (WIN) WINNEBAGO ONLY
- (265) CODES/STANDARDS-CSA/CMVSS
- (1B1) CODES/STANDARDS USA
- (1B1) (265)

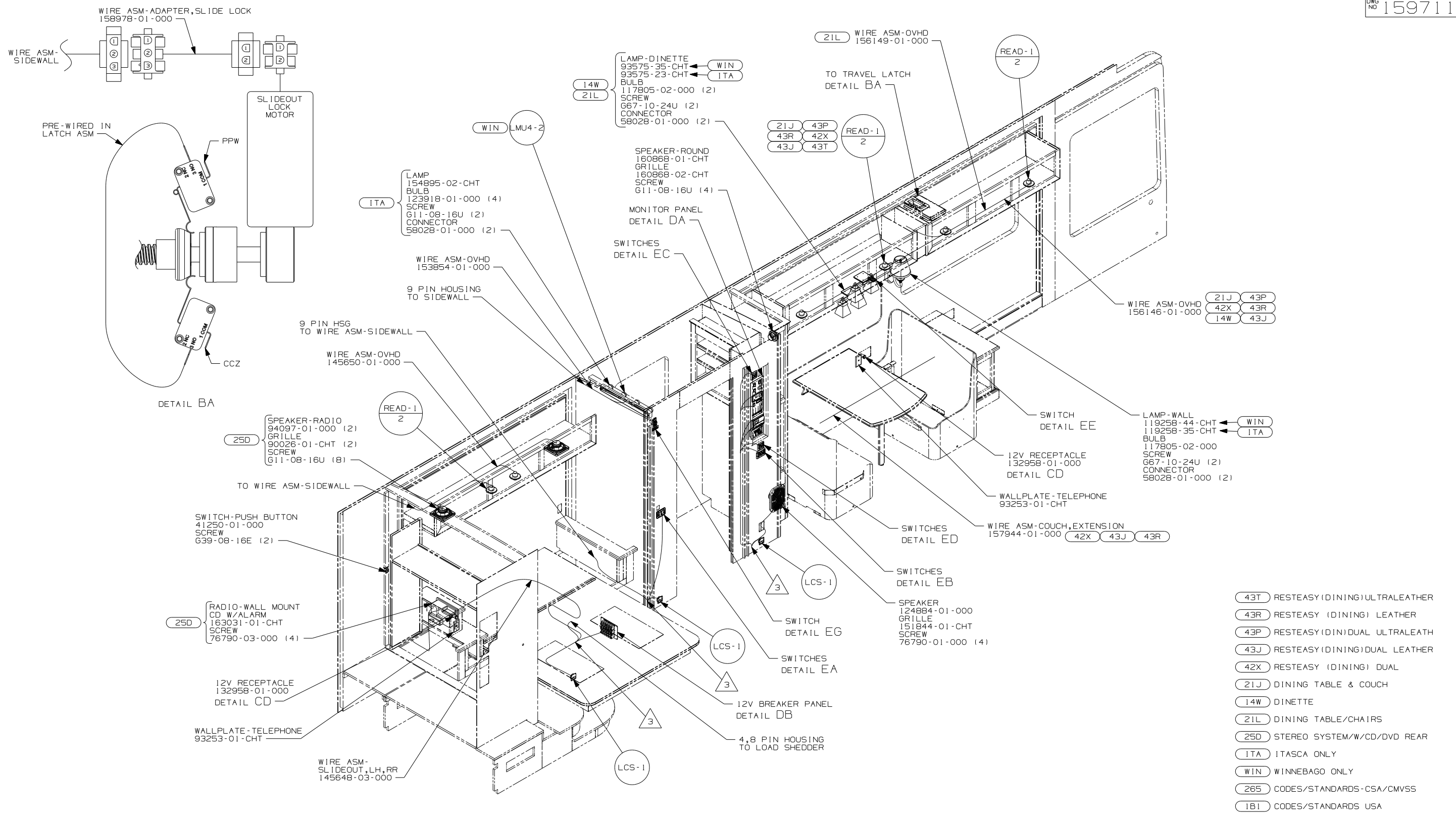
WINNEBAGO		COPYRIGHT 2006 WINNEBAGO INDUSTRIES, INC.	
DFTR	ORIG. DATE		
CHKR	ALL DIMENSIONS ARE IN MILLIMETERS		
P.E.			
M.E.	FIRST USED	07 R36LD	
DSNR			
UNSPECIFIED TOLERANCES ARE:		MATERIAL:	
WHOLE DIM (X)	: 3		
ONE-PLACE (X.X)	: 1.5		
TWO-PLACE (X.XX)	: 0.50		
ANGLE	: 1°		
THIRD ANGLE PROJECTION			
DO NOT SCALE DRAWING			
TITLE: WIRING INSTL-BODY, 12V			
SHEET 1 OF 7	PART NO	159711	
REF:	1 1/17/2007		

FOR ELECTRICAL
TORQUE
SPECIFICATIONS
SEE DWG NO.
128783-01-000

(X-X)
FOR
ELECTRICAL
CALLOUTS
SEE DWG NO.
121339-01-000



VIEW AA



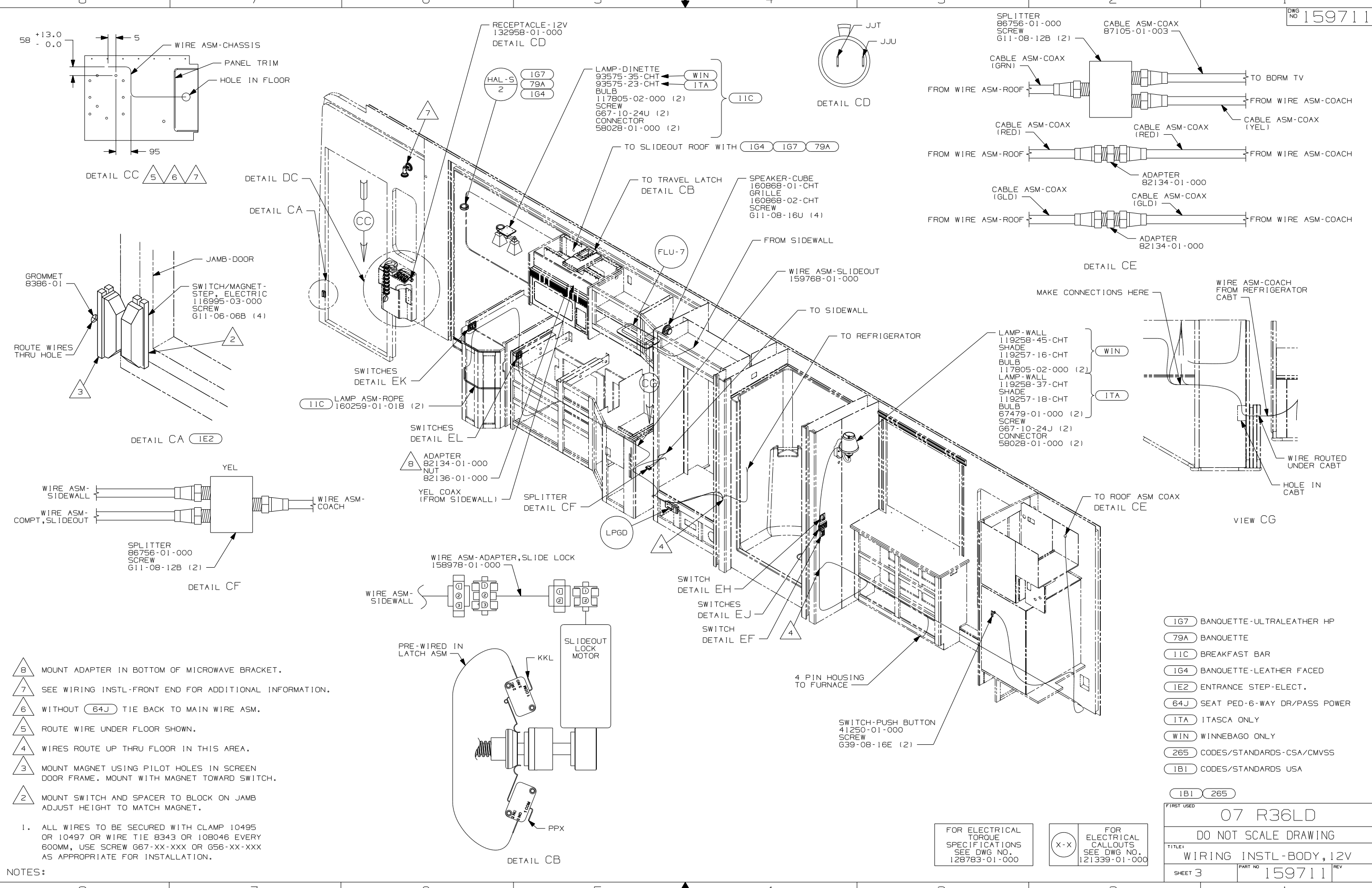
- NOTES:
- 1. ALL WIRES TO BE SECURED WITH CLAMP 10495 OR 10497 OR WIRE TIE 8343 OR 108046 EVERY 600MM, USE SCREW 667-XX-XXX OR 656-XX-XXX AS APPROPRIATE FOR INSTALLATION.
 - 2. COAX CABLE IS INTEGRATED INTO THE WIRE ASM'S.
 - 3. WIRES ROUTE UP THRU FLOOR IN THIS AREA.

FOR ELECTRICAL TORQUE SPECIFICATIONS SEE DWG NO. 128783-01-000

FOR ELECTRICAL CALLOUTS SEE DWG NO. 121339-01-000

- (43T) RESTEASY (DINING) ULTRALEATHER
- (43R) RESTEASY (DINING) LEATHER
- (43P) RESTEASY (DIN) DUAL ULTRALEATH
- (43J) RESTEASY (DINING) DUAL LEATHER
- (42X) RESTEASY (DINING) DUAL
- (21J) DINING TABLE & COUCH
- (14W) DINETTE
- (21L) DINING TABLE/CHAIRS
- (25D) STEREO SYSTEM/W/CD/DVD REAR
- (ITA) ITASCA ONLY
- (WIN) WINNEBAGO ONLY
- (265) CODES/STANDARDS-CSA/CMVSS
- (1B1) CODES/STANDARDS USA

FIRST USED		07 R36LD	
DO NOT SCALE DRAWING			
TITLE: WIRING INSTL-BODY, 12V			
SHEET 2	PART NO	159711	REV



- 8 MOUNT ADAPTER IN BOTTOM OF MICROWAVE BRACKET.
- 7 SEE WIRING INSTL-FRONT END FOR ADDITIONAL INFORMATION.
- 6 WITHOUT (64J) TIE BACK TO MAIN WIRE ASM.
- 5 ROUTE WIRE UNDER FLOOR SHOWN.
- 4 WIRES ROUTE UP THRU FLOOR IN THIS AREA.
- 3 MOUNT MAGNET USING PILOT HOLES IN SCREEN DOOR FRAME. MOUNT WITH MAGNET TOWARD SWITCH.
- 2 MOUNT SWITCH AND SPACER TO BLOCK ON JAMB ADJUST HEIGHT TO MATCH MAGNET.

1. ALL WIRES TO BE SECURED WITH CLAMP 10495 OR 10497 OR WIRE TIE 8343 OR 108046 EVERY 600MM, USE SCREW G67-XX-XXX OR G56-XX-XXX AS APPROPRIATE FOR INSTALLATION.

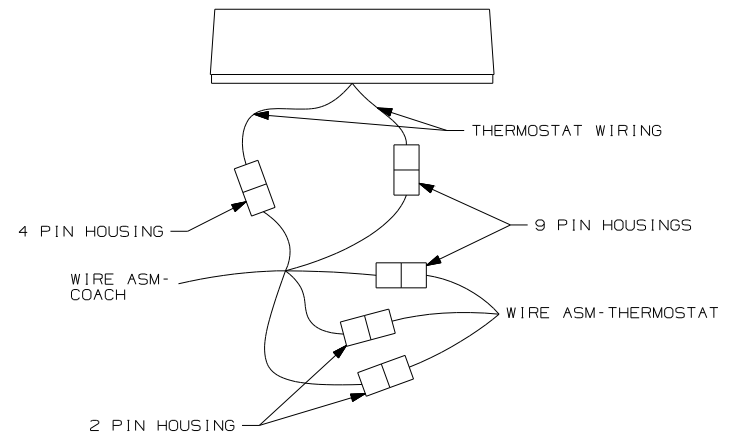
NOTES:

- (1G7) BANQUETTE-ULTRALEATHER HP
- (79A) BANQUETTE
- (11C) BREAKFAST BAR
- (1G4) BANQUETTE-LEATHER FACED
- (1E2) ENTRANCE STEP-ELECT.
- (64J) SEAT PED-6-WAY DR/PASS POWER
- (ITA) ITASCA ONLY
- (WIN) WINNEBAGO ONLY
- (265) CODES/STANDARDS-CSA/CMVSS
- (1B1) CODES/STANDARDS USA

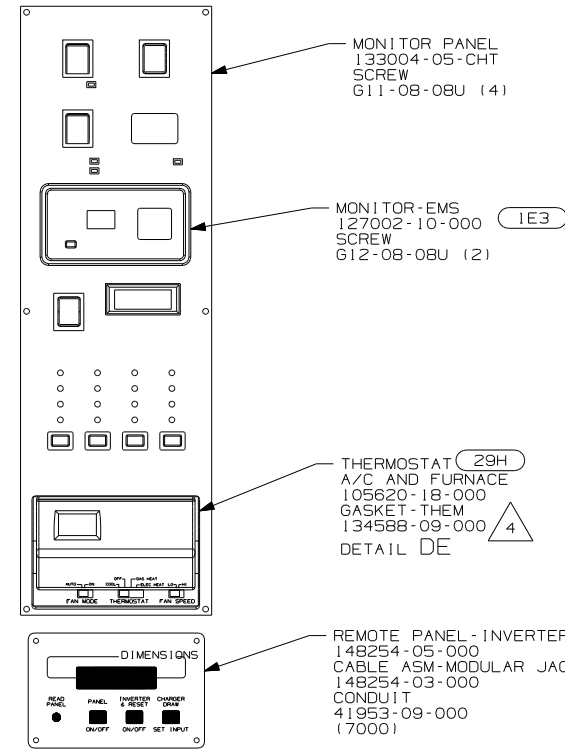
FIRST USED		07 R36LD	
DO NOT SCALE DRAWING			
TITLE: WIRING INSTL-BODY, 12V			
SHEET 3	PART NO	159711	REV

FOR ELECTRICAL TORQUE SPECIFICATIONS SEE DWG NO. 128783-01-000

(X-X) FOR ELECTRICAL CALLOUTS SEE DWG NO. 121339-01-000

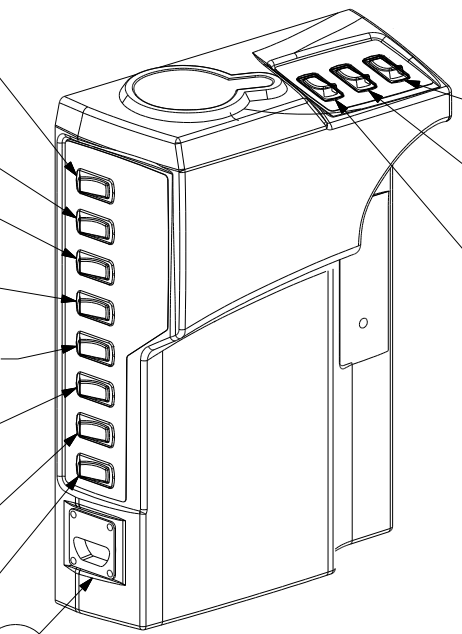


DETAIL DE



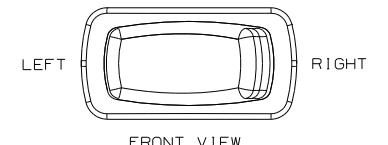
DETAIL DA

- 1 SWITCH-LOUNGE LAMP 145638-10-CHT (CONNECTS HOUSING WITH CIRCUITS FFW,PL,FFX)
- 2 SWITCH-PORCH 145638-01-CHT (CONNECTS HOUSING WITH CIRCUITS NM,PJ)
- 1 SWITCH-DOOR LOCKS 145638-05-CHT (CONNECTS HOUSING WITH CIRCUITS PX,MK,PY)
- 1 SWITCH-COMPARTMENT DOOR LOCKS 145638-05-CHT (CONNECTS HOUSING WITH CIRCUITS DDZ,MK,EEA)
- 1 SWITCH-AWNING SELECTOR 145638-07-CHT (CONNECTS HOUSING WITH CIRCUITS FFP,FFV,FFU,FFL)
- 1 SWITCH-AWNING CONTROL 145638-09-CHT (CONNECTS HOUSING WITH CIRCUITS FFM,FFU,FFK,FFR,FFV,FFN)
- 2 SWITCH-STEP 145638-01-CHT (CONNECTS HOUSING WITH CIRCUITS ER,ES)
- 1 SWITCH-BATTERY DISCONNECT 145638-09-CHT (CONNECTS HOUSING WITH CIRCUITS KF,LH,LJ,LJ,LG,KF)



DETAIL DC

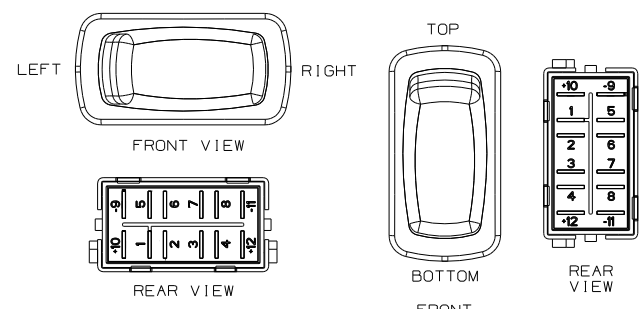
- 1 SWITCH-LAMP 145638-01-CHT (CONNECTS HOUSING WITH CIRCUITS NM,HA)
- 1 SWITCH-VISOR 145638-12-CHT (CONNECTS HOUSING WITH CIRCUITS MK,PPJ,MU,MU,PPK,MK)
- 1 SWITCH-COVER 145638-09-CHT (CONNECTS HOUSING WITH CIRCUITS GX,HHC,KA,KA,HHD,GX)



FRONT VIEW

REAR VIEW

DETAIL DG (MOUNTED HORIZONTALLY)

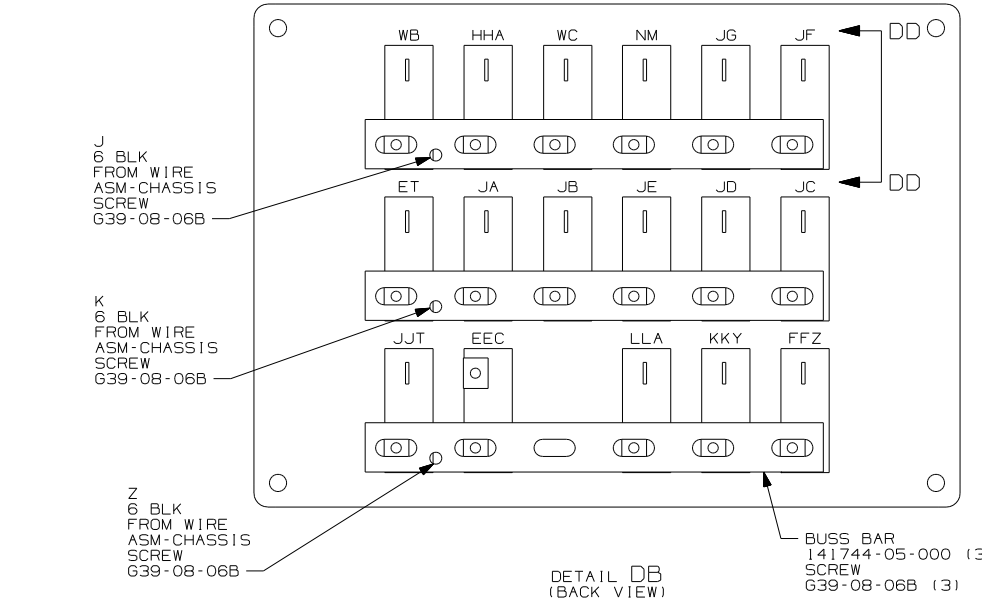


FRONT VIEW

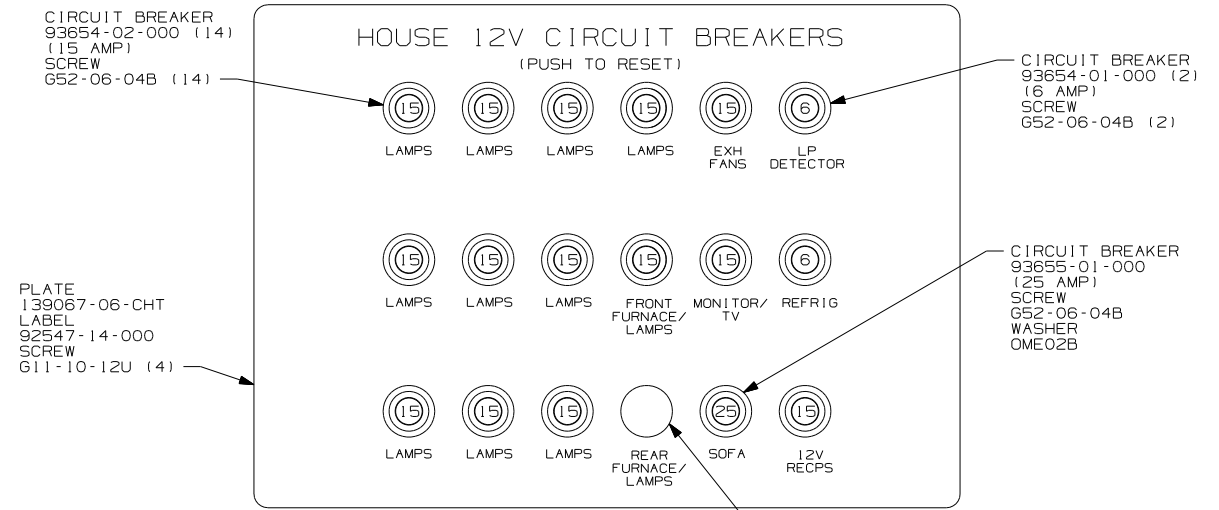
REAR VIEW

DETAIL DF (MOUNTED VERTICALLY)

- NOTES:
- 3 CONNECT CIRCUIT WB FROM COACH WIRING TO RED WIRE ON REMOTE PANEL.
 - 2 FOR SWITCH ORIENTATION, SEE DETAIL DG.
 - 1 FOR SWITCH ORIENTATION, SEE DETAIL DF.
 - 4 INSTALL GASKET ON BACK SIDE OF ONE PLACE INSTALLATION OF THERMOSTAT, MAKING SURE THAT THE GASKET COVERS AND SEALS THE HOLE THAT THE WIRES PASS THROUGH.

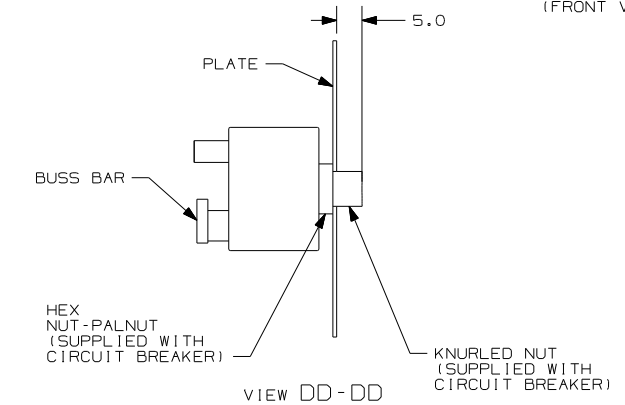


DETAIL DB (BACK VIEW)



DETAIL DB (FRONT VIEW)

- PLATE 139067-06-CHT LABEL 92547-14-000 SCREW G11-10-12U (4)



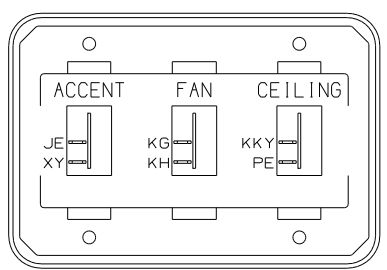
VIEW DD-DD

FOR ELECTRICAL TORQUE SPECIFICATIONS SEE DWG NO. 128783-01-000

FOR ELECTRICAL CALLOUTS SEE DWG NO. 121339-01-000

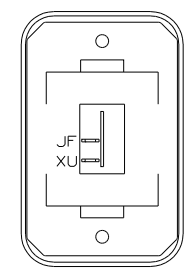
- 29H A/C CENTRAL HEAT PUMP
- 1E3 ENERGY MANAGEMENT SYSTEM
- 265 CODES/STANDARDS-CSA/CMVSS
- 1B1 CODES/STANDARDS USA

FIRST USED	
07 R36LD	
DO NOT SCALE DRAWING	
TITLE: WIRING INSTL-BODY, 12V	
SHEET 4	PART NO 159711 REV



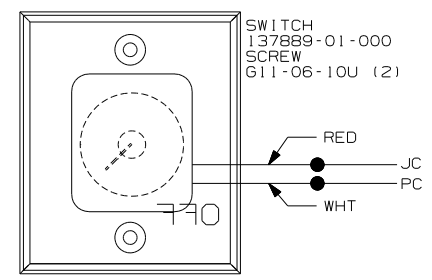
SWITCH-ROCKER
135740-01-CHT (3)
SWITCH-BASE
135741-03-CHT
SWITCH-BEZEL
135742-48-CHT
SCREW
G11-08-08U (4)

DETAIL EA



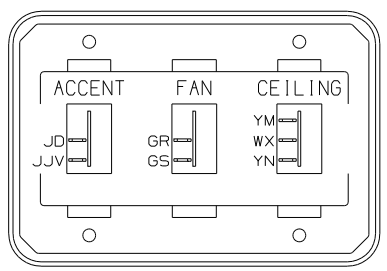
SWITCH-ROCKER
135740-01-CHT
SWITCH-BASE
135741-01-CHT
SWITCH-BEZEL
135742-01-CHT
SCREW
G11-08-08U (2)

DETAIL EE



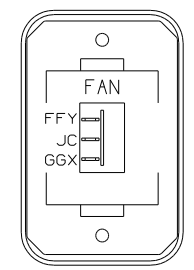
SWITCH
137889-01-000
SCREW
G11-06-10U (2)

DETAIL EH



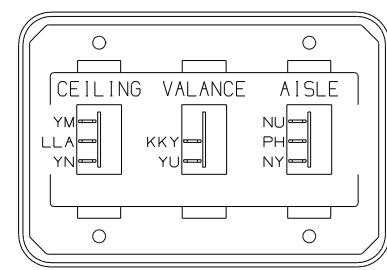
SWITCH-ROCKER
135740-01-CHT (2)
135740-02-CHT
SWITCH-BASE
135741-03-CHT
SWITCH-BEZEL
135742-48-CHT
SCREW
G11-08-08U (4)

DETAIL EB



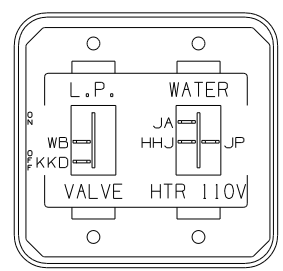
SWITCH-ROCKER
135740-04-CHT
SWITCH-BASE
135741-01-CHT
SWITCH-BEZEL
135742-12-CHT
SCREW
G11-08-08U (2)
WIRE ASM-RESISTOR,FAN
140195-01-000

DETAIL EF 41Y



SWITCH-ROCKER
135740-01-CHT
135740-02-CHT (2)
SWITCH-BASE
135741-03-CHT
SWITCH-BEZEL
135742-22-CHT
SCREW
G11-08-08U (4)

DETAIL EJ



SWITCH-ROCKER
135740-01-CHT
135740-06-CHT
SWITCH-BASE
135741-02-CHT
SWITCH-BEZEL
135742-34-CHT
SCREW
G11-08-08U (4)

DETAIL EC

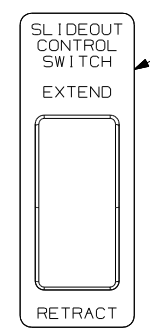
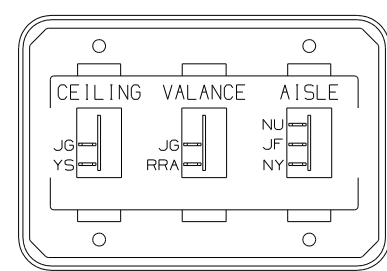


PLATE-SWITCH
144363-09-CHT
SWITCH
108357-06-000
ACTUATOR
108356-01-CHT
NUT
D65-08-00B (2)
LABEL
116220-01-000
DDA,CCY,DDA,
BBM,CCZ,BBN

LABEL-WARNING
116549-01-000

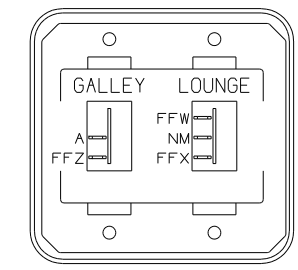
WARNING
UNDERSTAND OPERATOR'S MANUAL
BEFORE USING KEEP PEOPLE AND
OBSTRUCTIONS CLEAR OF SLIDEOUT
ROOM WHEN OPERATING TO AVOID
INJURY AND/OR PROPERTY DAMAGE

DETAIL EG



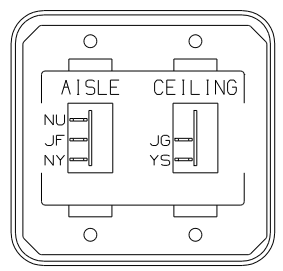
SWITCH-ROCKER
135740-01-CHT (2)
135740-02-CHT
SWITCH-BASE
135741-03-CHT
SWITCH-BEZEL
135742-22-CHT
SCREW
G11-08-08U (4)

DETAIL EK 11C



SWITCH-ROCKER
135740-01-CHT
135740-02-CHT
SWITCH-BASE
135741-02-CHT
SWITCH-BEZEL
135742-18-CHT
SCREW
G11-08-08U (4)

DETAIL ED



SWITCH-ROCKER
135740-01-CHT
135740-02-CHT
SWITCH-BASE
135741-02-CHT
SWITCH-BEZEL
135742-13-CHT
SCREW
G11-08-08U (4)

DETAIL EL 79A 1G4 1G7

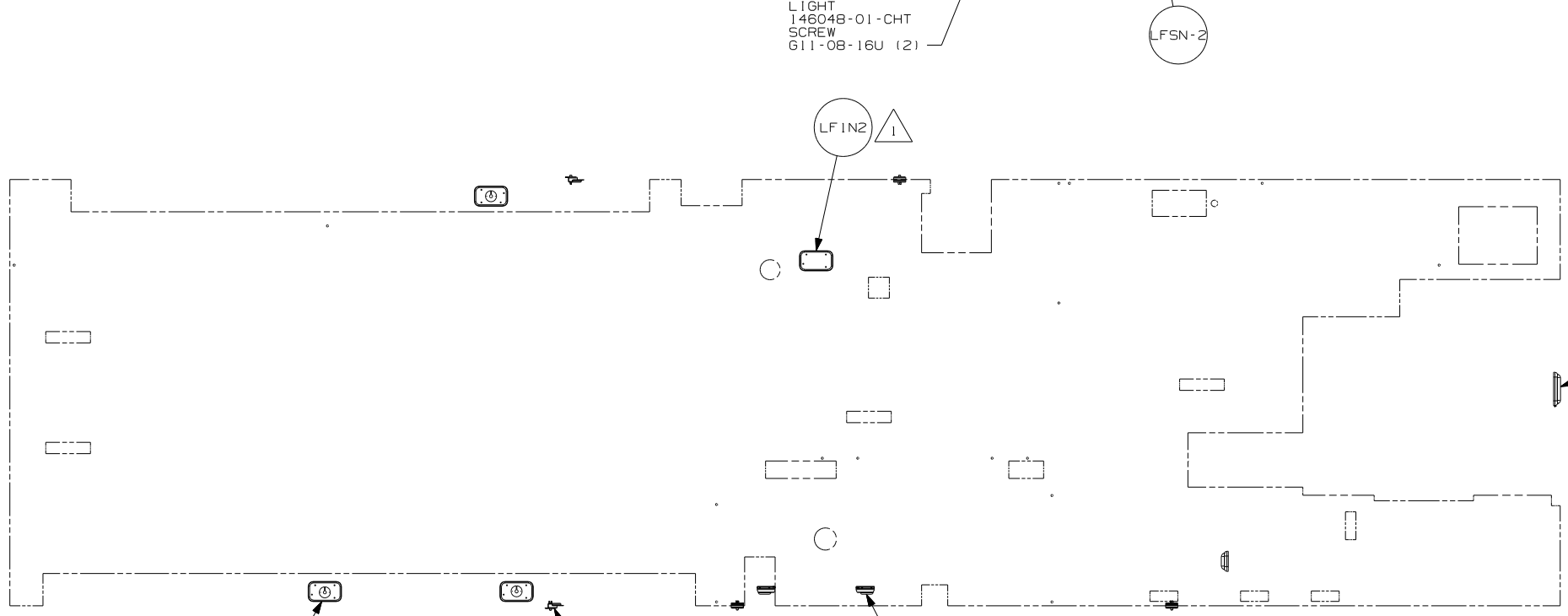
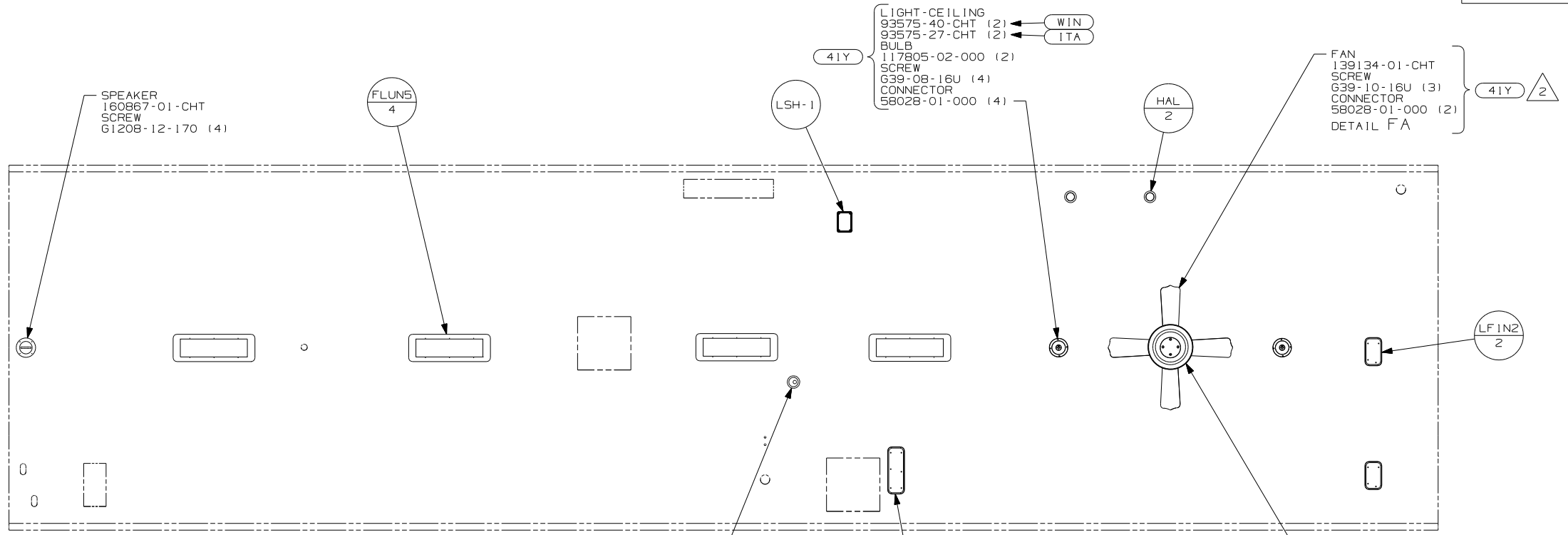
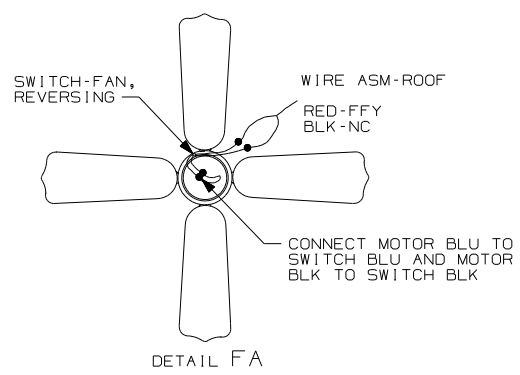
- 1G7 BANQUETTE-ULTRALEATHER HP
- 1G4 BANQUETTE-LEATHER FACED
- 79A BANQUETTE
- 11C BREAKFAST BAR
- 41Y FAN - CEILING_BEDROOM
- 265 CODES/STANDARDS-CSA/CMVSS
- 1B1 CODES/STANDARDS USA

1B1 265

FIRST USED	07 R36LD
TITLE	DO NOT SCALE DRAWING
	WIRING INSTL-BODY, 12V
SHEET 5	PART NO 159711 REV

FOR ELECTRICAL
TORQUE
SPECIFICATIONS
SEE DWG NO.
128783-01-000

X-X
FOR
ELECTRICAL
CALLOUTS
SEE DWG NO.
121339-01-000



- 41Y FAN-CEILING
- 41Z DECORATIVE LIGHT-CEILING
- ITA ITASCA ONLY
- WIN WINNEBAGO ONLY
- 265 CODES/STANDARDS-CSA/CMVSS
- 1B1 CODES/STANDARDS USA

NOTES:

2 APPLY LOCTITE P/N 62917-06-000 TO FAN BLADE MOUNTING NUT THREADS.

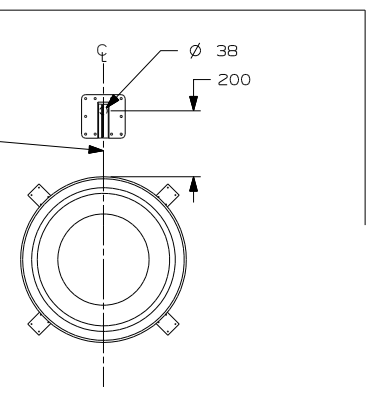
1 LIGHT MOUNTED BELOW CLOSEOUT PANEL.

FOR ELECTRICAL TORQUE SPECIFICATIONS SEE DWG NO. 128783-01-000

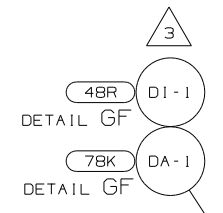
FOR ELECTRICAL CALLOUTS SEE DWG NO. 121339-01-000

FIRST USED	07 R36LD	
TITLE	DO NOT SCALE DRAWING	
	WIRING INSTL-BODY, 12V	
SHEET 6	PART NO	159711
	REV	

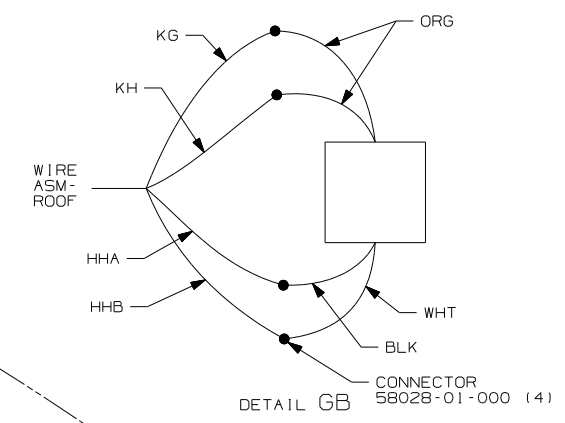
THE SATELLITE DISH WIRE CONNECTIONS ARE TO BE PLACED ON THE CENTERLINE OF THE MOTORHOME FACING FORWARD



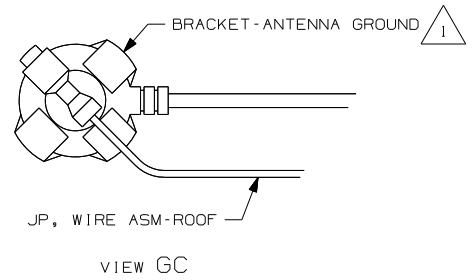
DETAIL GF 2



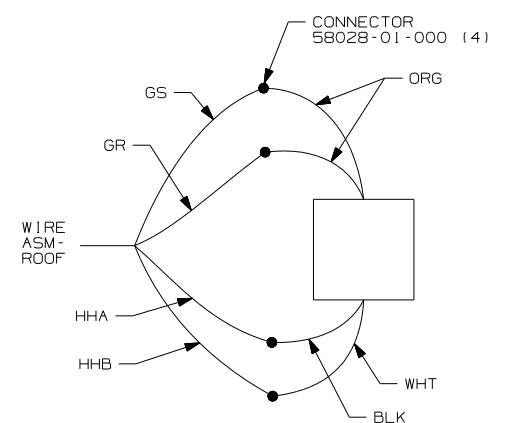
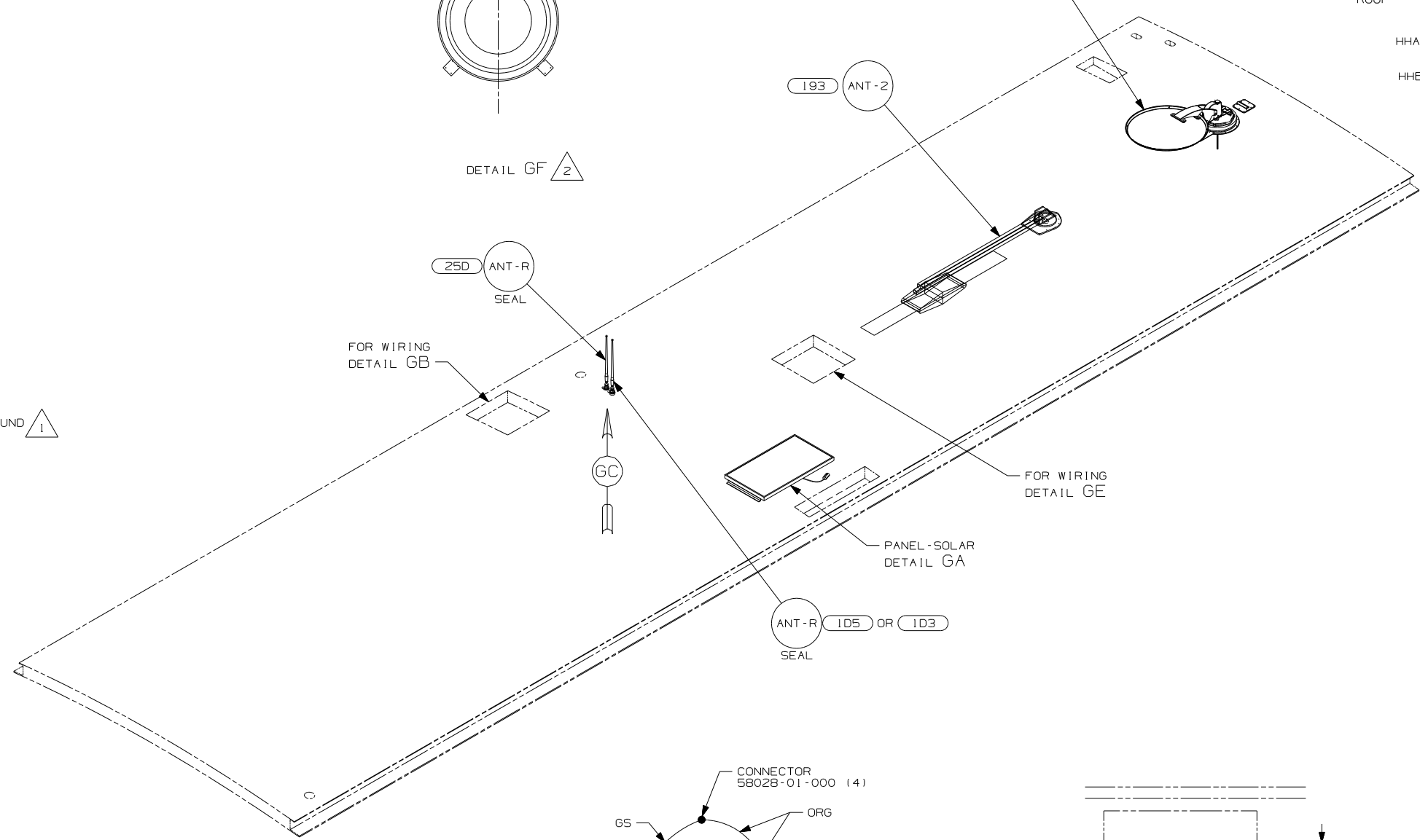
DETAIL GF 3



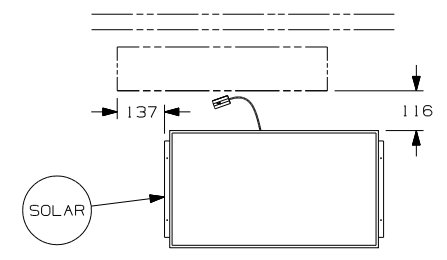
DETAIL GB



VIEW GC



DETAIL GE



DETAIL GA 290

- (7BK) SATELLITE DISH-AUTOMATIC
- (25D) STEREO SYSTEM/W/CD/DVD REAR
- (1D3) ENTERTAIN CENTR/EXT TV-DVD
- (4BR) SAT SYS IN-MOTION W/O RCVR
- (1D5) ENTERTAINMENT CTR/EXT W/CD
- (290) SOLAR PANEL-10 WATT
- (265) CODES/STANDARDS-CSA/CMVSS
- (1B1) CODES/STANDARDS USA

- NOTES:
- 3 SEE MANUFACTURER'S INSTALLATION FOR ADDITIONAL INFORMATION.
 - 2 REMOVE ALL SHIPPING RESTRAINTS AND FIRMLY INSERT THE SUPPLIED PLUGS INTO THE APPROPRIATE SIZED HOLES AS SPECIFIED IN THE INSTALLATION PROCESS.
 - 1 WRAP BRACKET LEGS AROUND ANTENNA BASE.

FOR ELECTRICAL TORQUE SPECIFICATIONS SEE DWG NO. 128783-01-000

FOR ELECTRICAL CALLOUTS SEE DWG NO. 121339-01-000

FIRST USED		07 R36LD	
DO NOT SCALE DRAWING			
TITLE: WIRING INSTL-BODY, 12V			
SHEET 7	PART NO	159711	REV