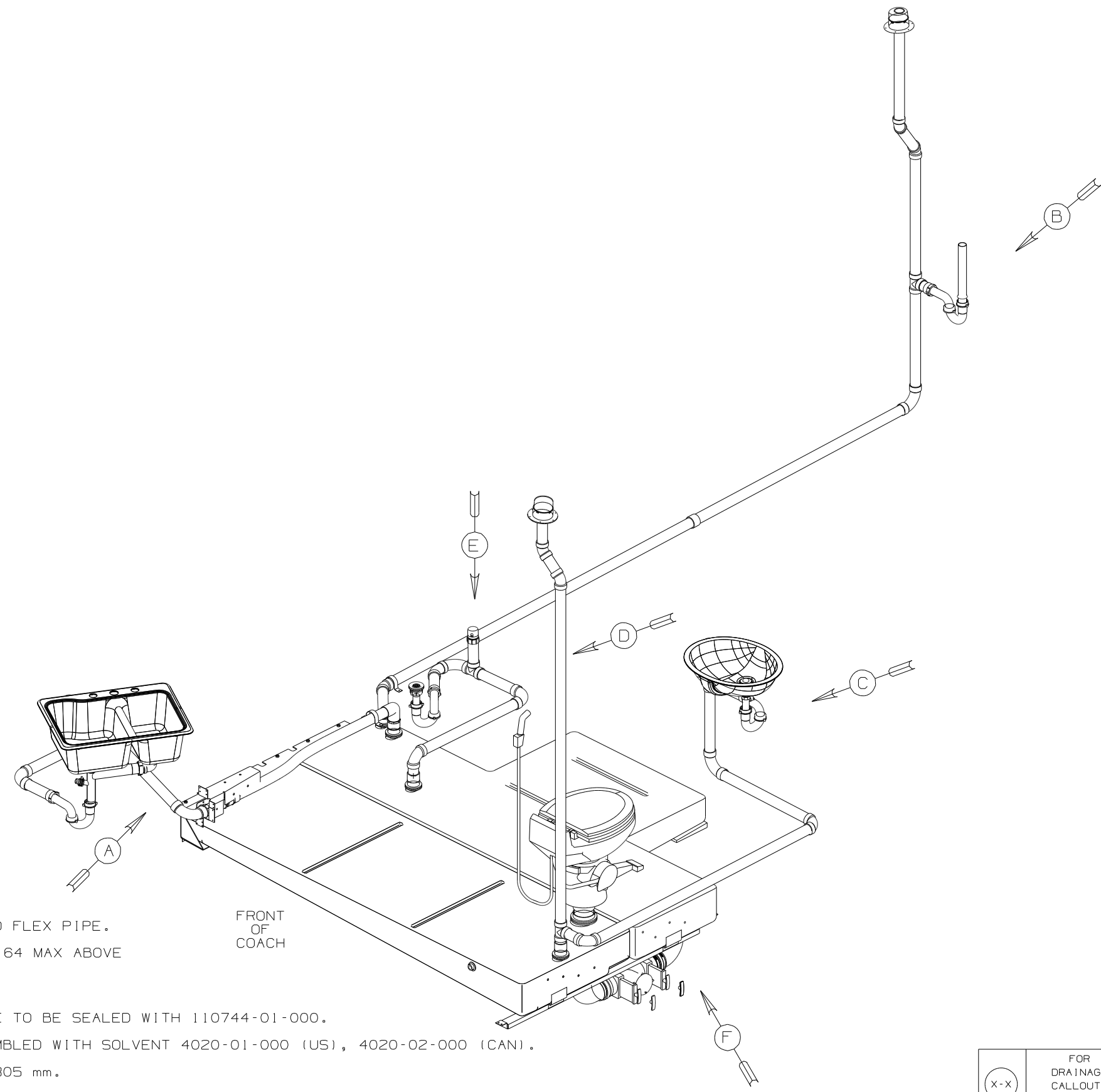


DWG NO	--
158909-01	(WIN)
158909-02	(ITA)

RELEASE	REV DATE	DWG NO
A		158909
REV ZONE	REVISION RECORD	DATE
		DFT-ORIG



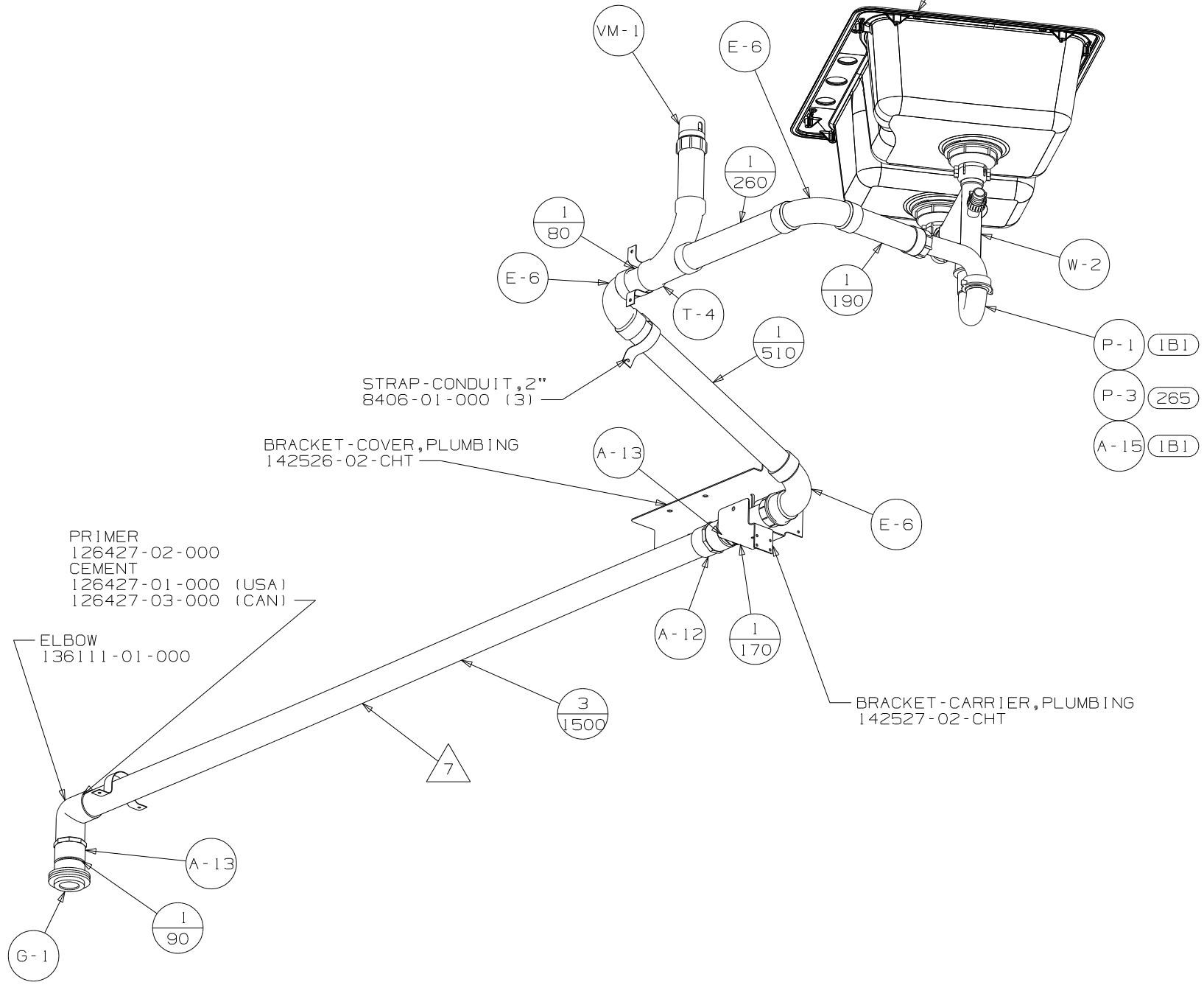
- NOTES:
- 7. DO NOT ATTACH ANY OTHER SYSTEM TO FLEX PIPE.
 - 6. VENT PIPE MUST PROECT 51 MIN AND 64 MAX ABOVE ROOF FOR PROPER FIT AND FUNCTION.
 - 5. SEAL AROUND SHOWER WITH SILICONE.
 - 4. ALL EXTERIOR OPENINGS AROUND PIPE TO BE SEALED WITH 110744-01-000.
 - 3. ALL PIPE AND FITTINGS TO BE ASSEMBLED WITH SOLVENT 4020-01-000 (US), 4020-02-000 (CAN).
 - 2. SLOPE OF TRAP ARM MUST BE 6 PER 305 mm.
 - 1. SLOPE OF HORIZONTAL PIPING TO BE MIN 3 PER 305 mm.

- (WIN) WINNEBAGO ONLY
- (ITA) ITASCA ONLY
- (IBI) CODES/STANDARDS USA
- (265) CODES/STDS-CSA, CMVSS

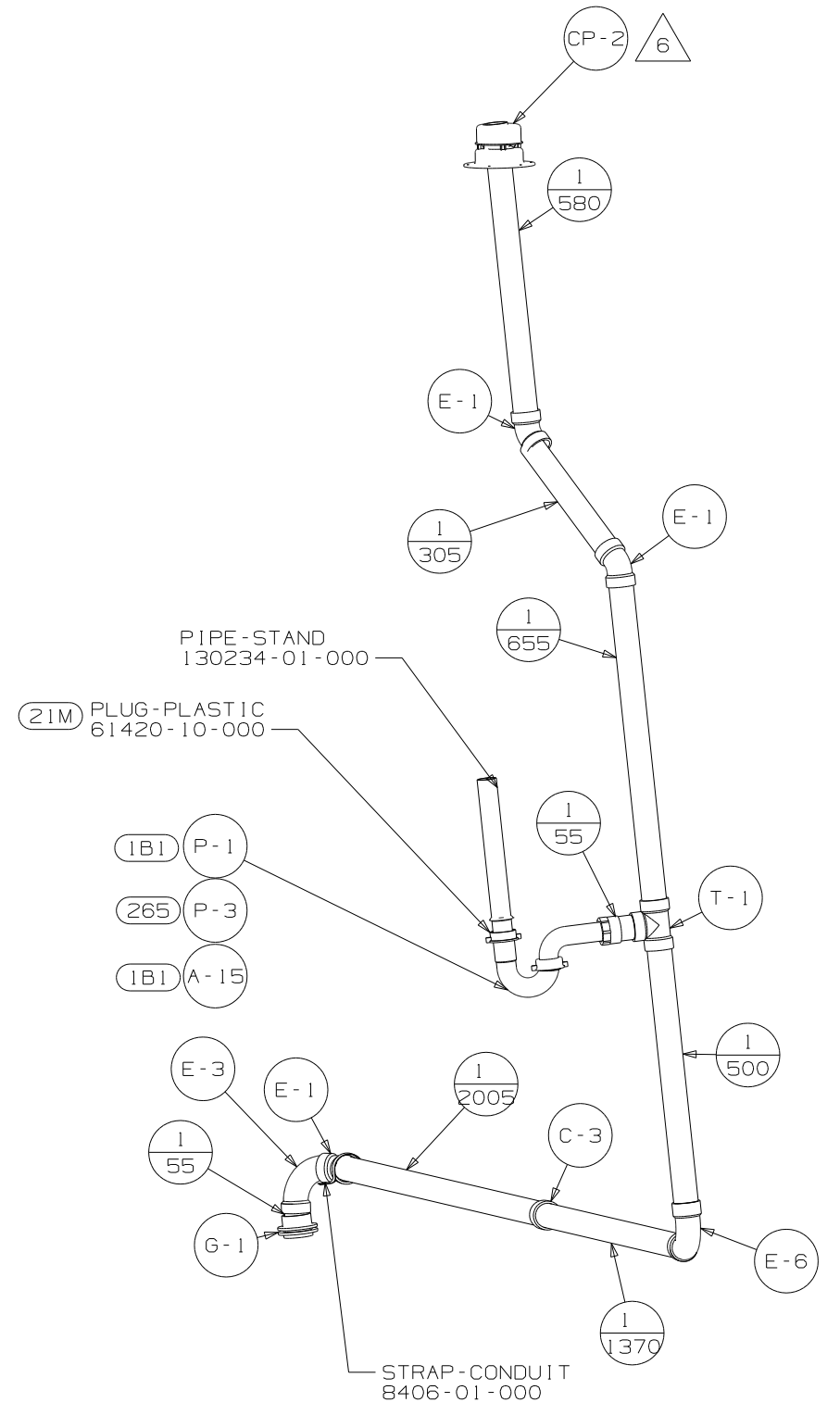
WINNEBAGO		COPYRIGHT 2007 WINNEBAGO INDUSTRIES, INC.	
DFT	ORIG. DATE	ALL DIMENSIONS ARE IN MILLIMETERS	
CHKR		FIRST USED	
P.E.		07 R36LD	
M.E.		UNSPECIFIED TOLERANCES ARE:	
DSNR		MATERIAL:	
		WHOLE DIM (X)	: 3
		ONE-PLACE (X.X)	: 1.5
		TWO-PLACE (X.XX)	: 0.50
		ANGLE	: 1°
THIRD ANGLE PROJECTION		DO NOT SCALE DRAWING	
TITLE: DRAINAGE SYSTEM INSTL			
SHEET 1 OF 4	PART NO	158909	REV
REF:	1 2/6/2007		

(X-X)
FOR
DRAINAGE
CALLOUTS
SEE DWG NO
116229-01-000

SINK - GALLEY
148870-01-CHT
STRAINER
92303-01-000 (2)
SEAL
91255-02-000 (A/R)
ANGLE-FORMED
140002-01-CHT (10)
SCREW
667-10-08U (10)

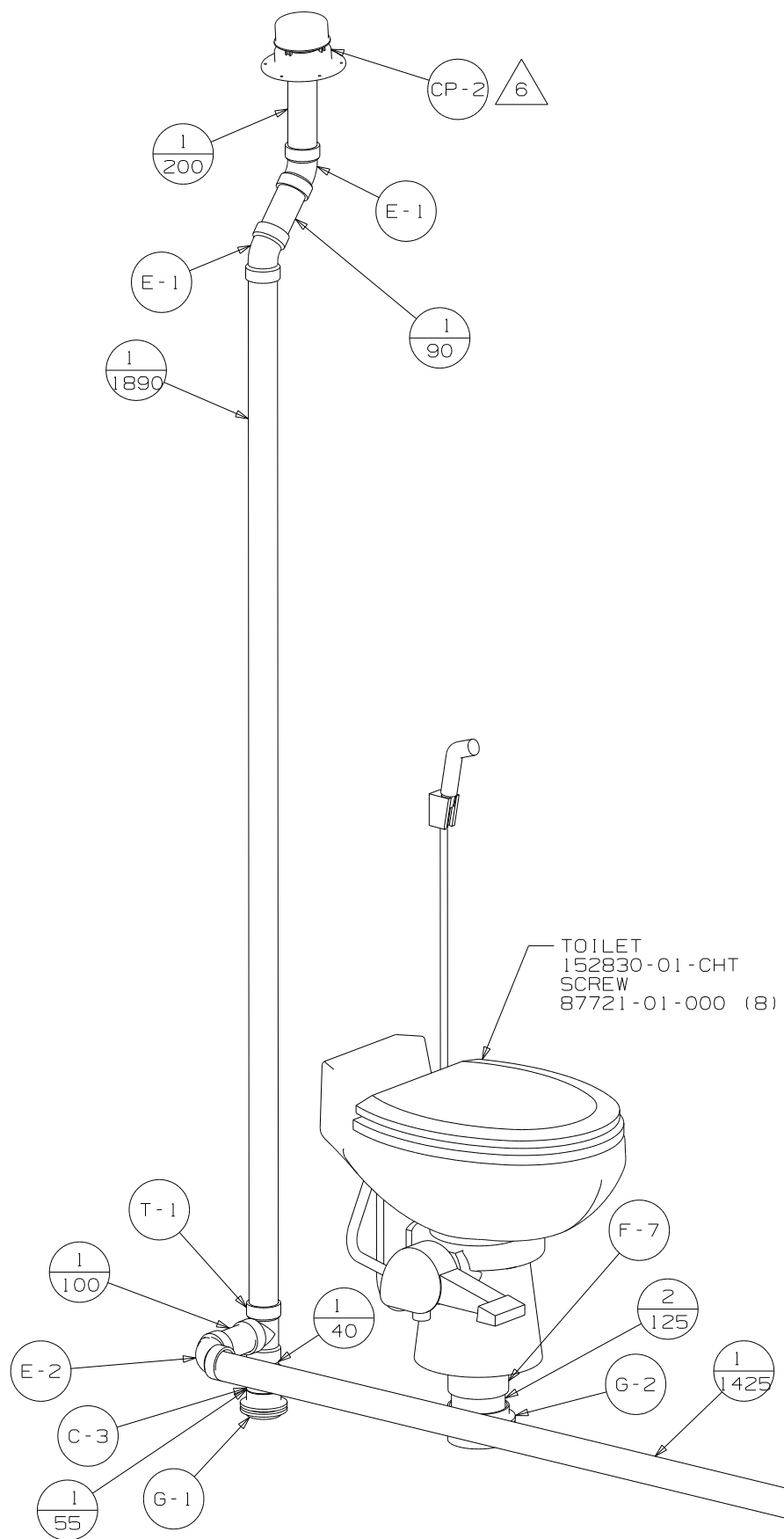


VIEW A

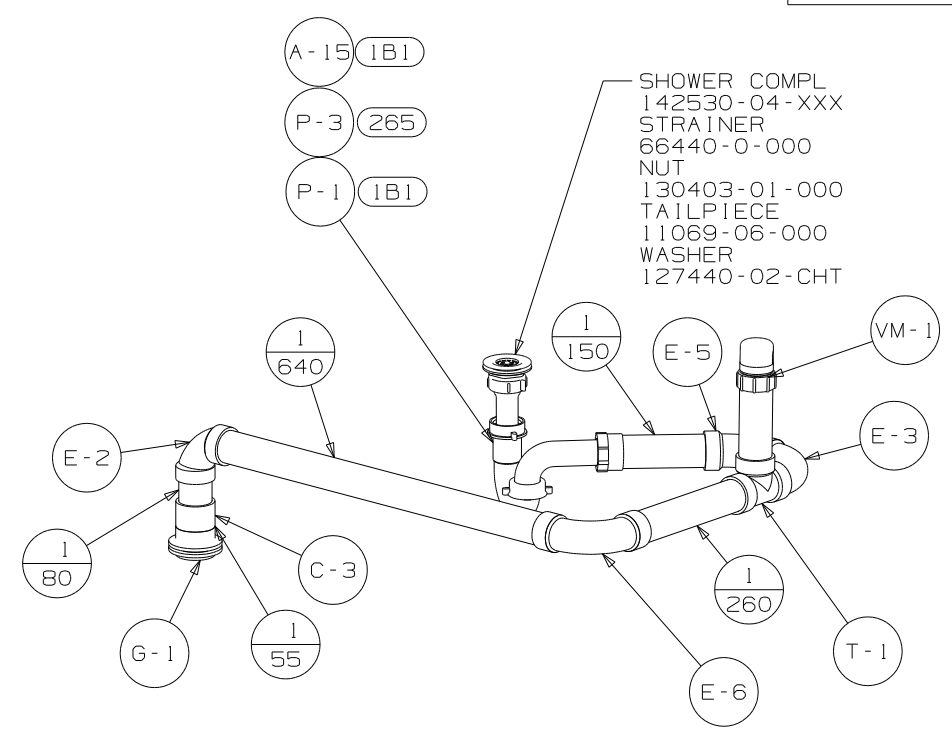
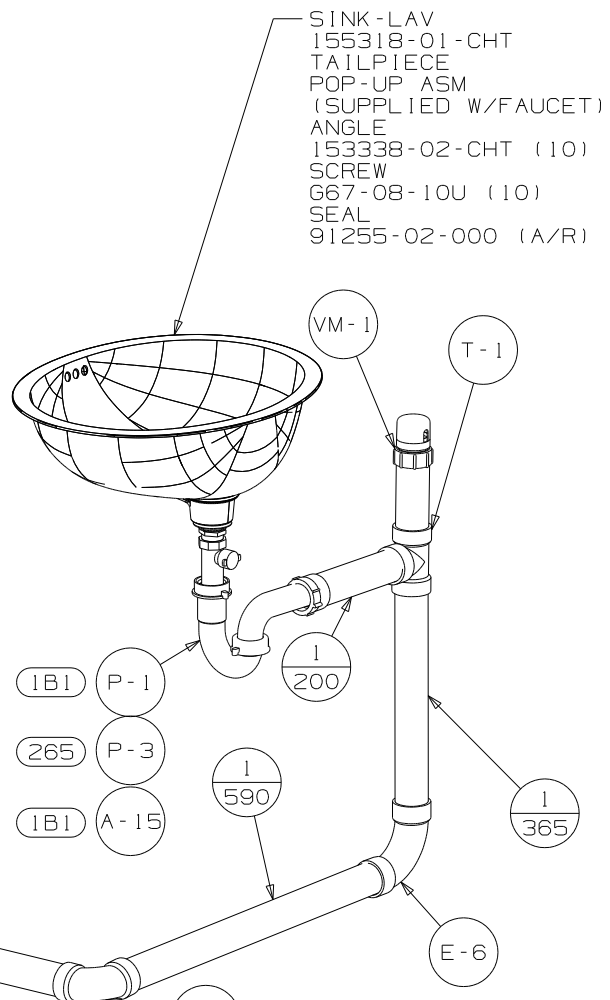


VIEW B

FIRST USED	07 R36LD		
TITLE	DO NOT SCALE DRAWING		
	DRAINAGE SYSTEM INSTL		
SHEET 2	PART NO	158909	REV

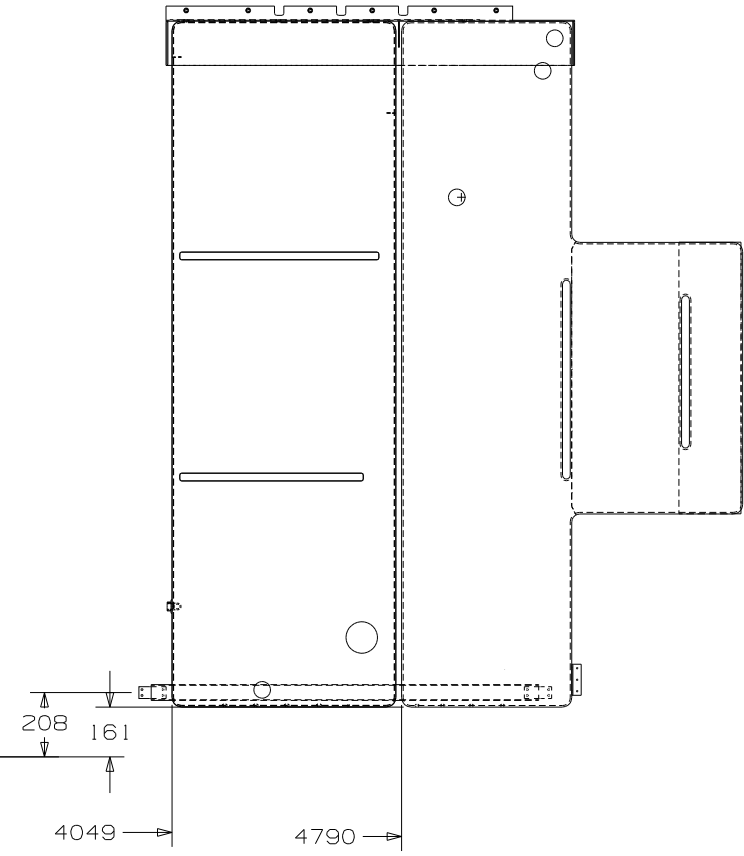
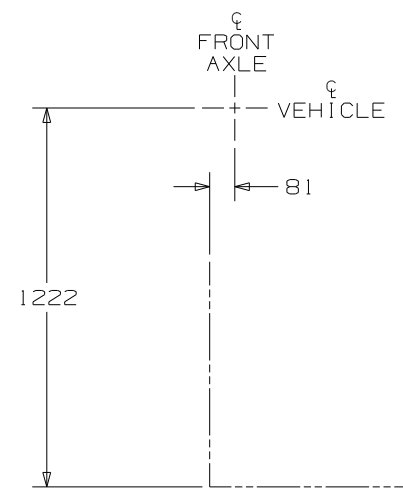


VIEW C

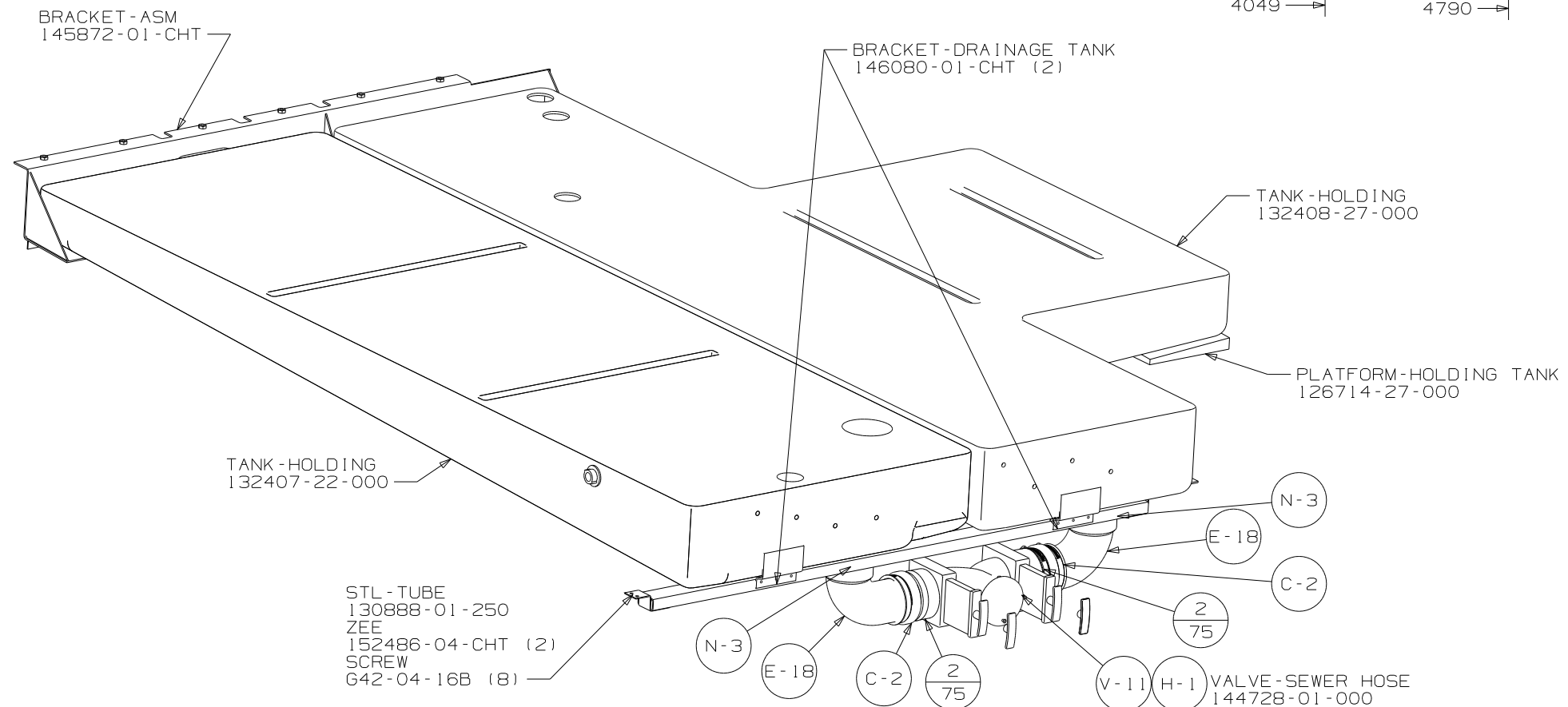


VIEW D

FIRST USED	07 R36LD	
TITLE	DO NOT SCALE DRAWING	
	DRAINAGE SYSTEM INSTL	
SHEET 3	PART NO 158909	REV



VIEW E

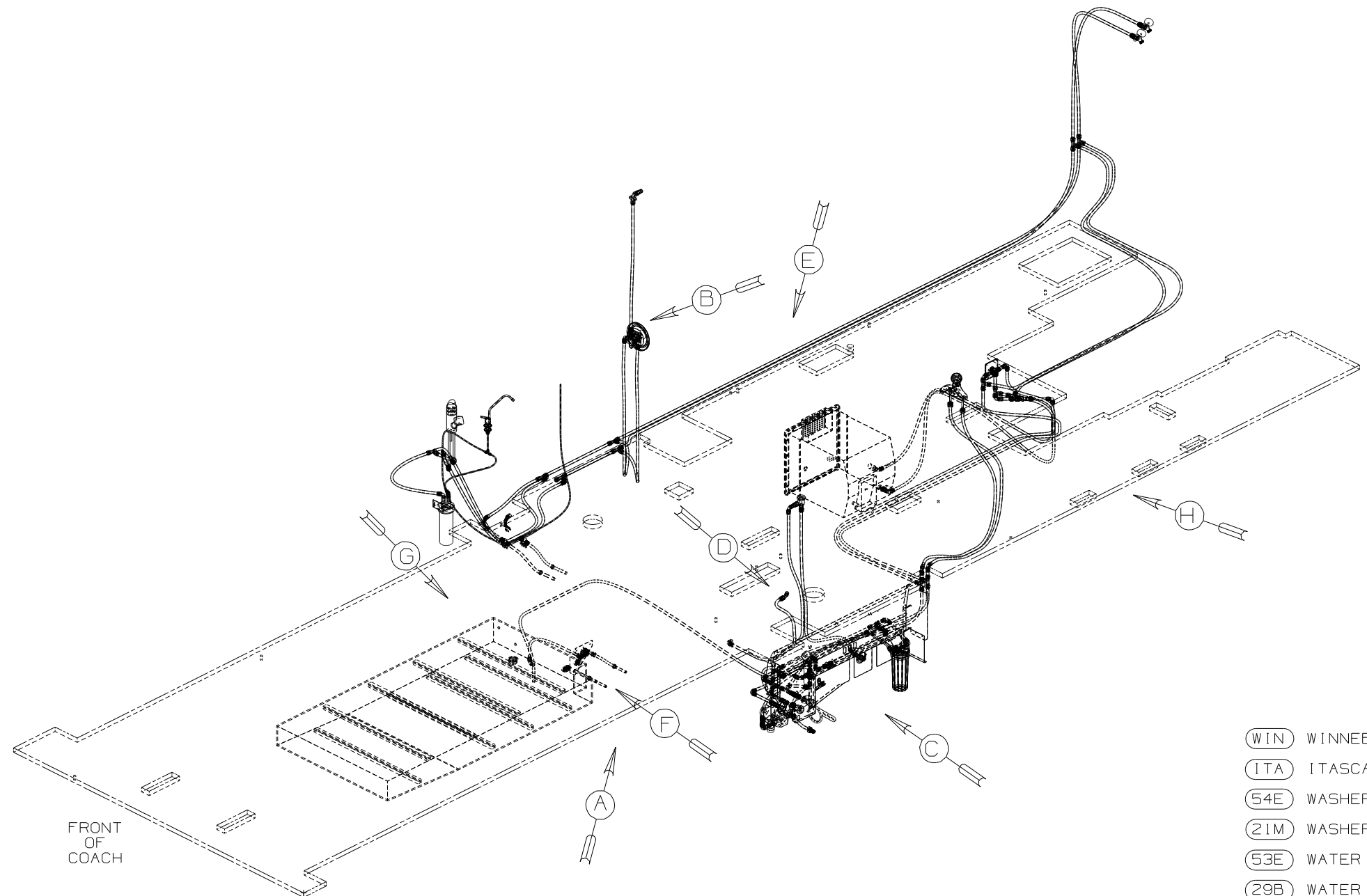


VIEW F

FIRST USED	07 R36LD	
TITLE	DO NOT SCALE DRAWING	
	DRAINAGE SYSTEM INSTL	
SHEET 4	PART NO 158909	REV

DWG NO	-----
158910-01	(WIN)
158910-02	(ITA)

RELEASE	REV DATE	DWG NO
A		158910
REV ZONE	REVISION RECORD	DATE



- (WIN) WINNEBAGO ONLY
- (ITA) ITASCA ONLY
- (54E) WASHER/DRYER
- (21M) WASHER/DRYER PREP
- (53E) WATER SYSTEM WINTERIZATION PKG
- (29B) WATER PURIFICATION SYSTEM

- NOTES:
- 7 USED IN PLACE OF SUPPLIED SCREWS TO ATTACH BRACKET TO WALL.
 - 6 ADD TEFLON TAPE 10405-01-000.
 - 5 ADD TEFLON TAPE 10405-02-000.
 - 4 ADD TEFLON TAPE 10405-03-000.
 3. ALL TUBING TO BE SECURED AT 1200 INTERVALS MAXIMUM WITH CLAMP 10495-01-000 AND SCREW G67-10-12B OR EQUIVALENT.
 2. TUBING TO BE INSTALLED WITH SUFFICIENT SLOPE TO PROVIDE DRAINAGE TO NEAREST VALVE.
 1. PLASTIC FITTINGS TO BE SEALED WITH SEALANT 84456-01-000.

(X-X)
FOR
WATER
CALLOUTS
SEE DWG NO
116230-01-000

WINNEBAGO		COPYRIGHT 2007 WINNEBAGO INDUSTRIES, INC.	
DFT	ORIG. DATE	ALL DIMENSIONS ARE IN MILLIMETERS	
CHKR		FIRST USED	
P.E.		07 R36LD	
M.E.		UNSPECIFIED TOLERANCES ARE:	
DSNR		MATERIAL:	
		WHOLE DIM (X)	: 3
		ONE-PLACE (X.X)	: 1.5
		TWO-PLACE (X.XX)	: 0.50
		ANGLE	: 1°
THIRD ANGLE PROJECTION		DO NOT SCALE DRAWING	
TITLE: WATER SYSTEM INSTL			
SHEET 1 OF 5	PART NO	158910	REV
REF:	1 1/12/2007		

DROP ELL
 135028-02-CHT
 SPACER
 130041-01-CHT
 VALVE-SHOWER HEAD
 128974-01-CHT

SHOWER HEAD
 129390-03-CHT
 SCREW
 G12-10-16F (4)

FAUCET-TRIM KIT
 144596-02-CHT

VIEW B

FAUCET-WATER PURIFIER
 103635-01-000

FAUCET-GALLEY
 123744-03-CHT

FILTER
 87200-01-000
 CARTRIDGE
 87200-02-000
 SCREW
 G67-10-12U (2)

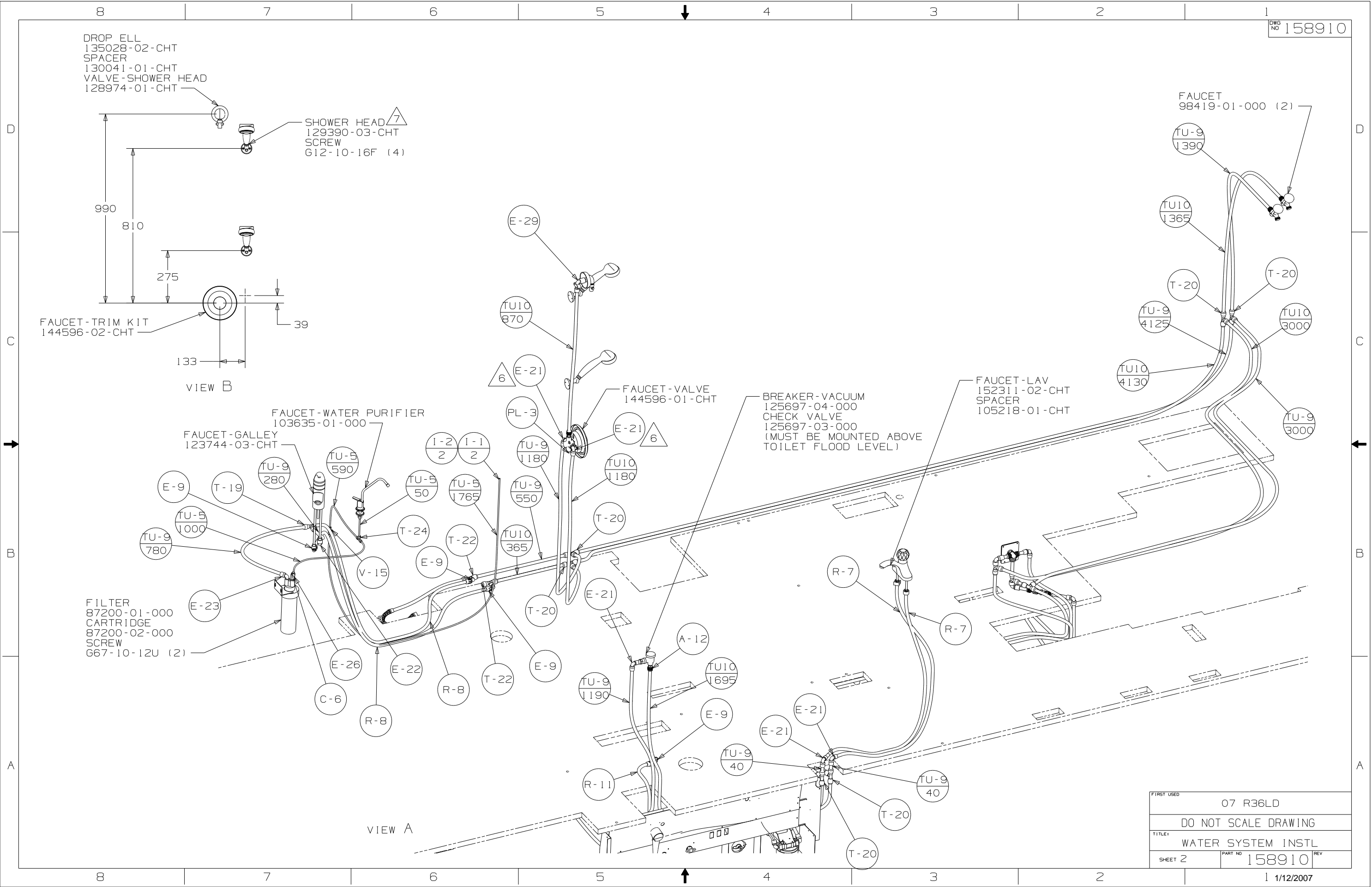
VIEW A

FAUCET-VALVE
 144596-01-CHT

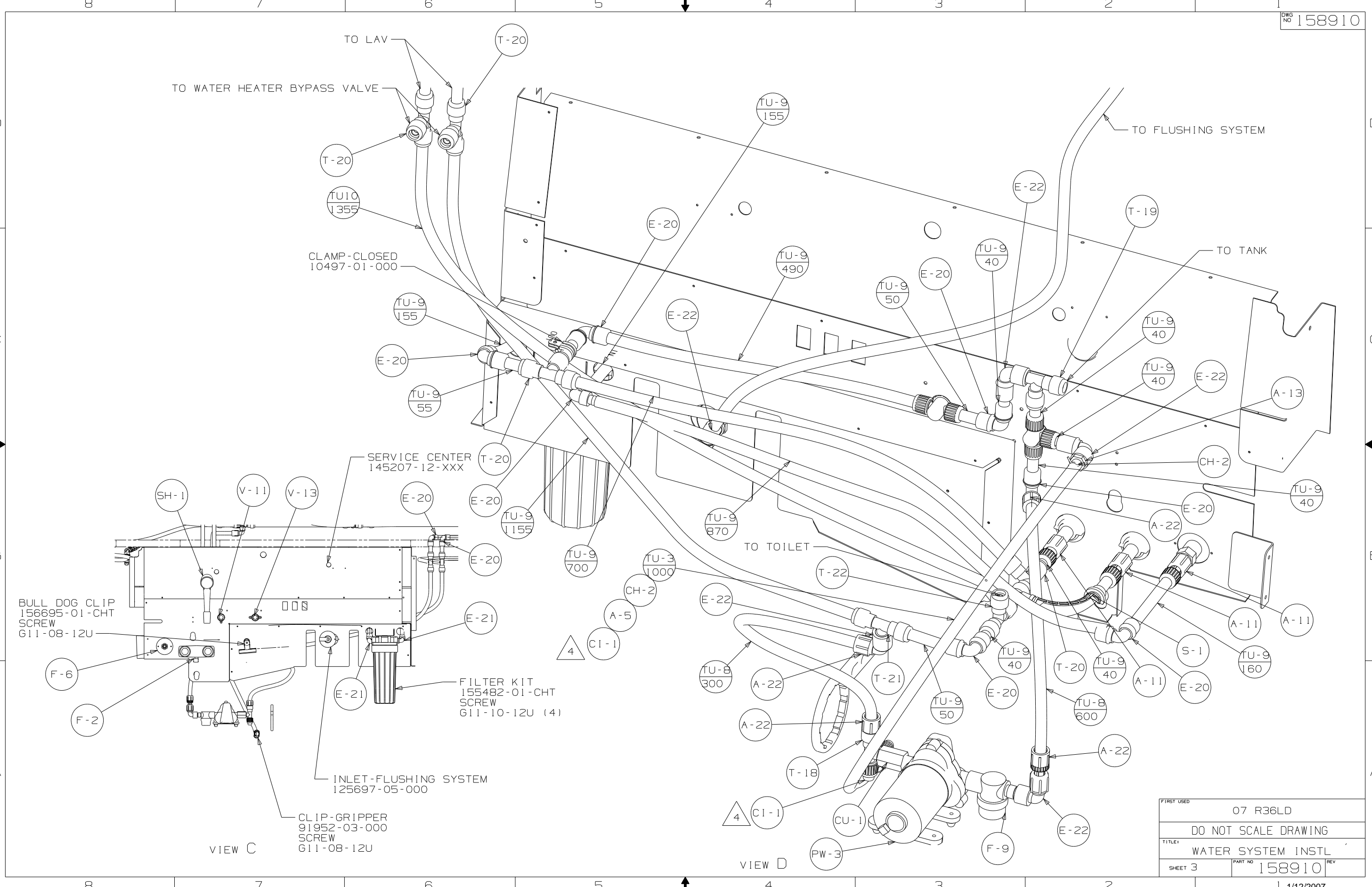
BREAKER-VACUUM
 125697-04-000
 CHECK VALVE
 125697-03-000
 (MUST BE MOUNTED ABOVE
 TOILET FLOOD LEVEL)

FAUCET-LAV
 152311-02-CHT
 SPACER
 105218-01-CHT

FAUCET
 98419-01-000 (2)



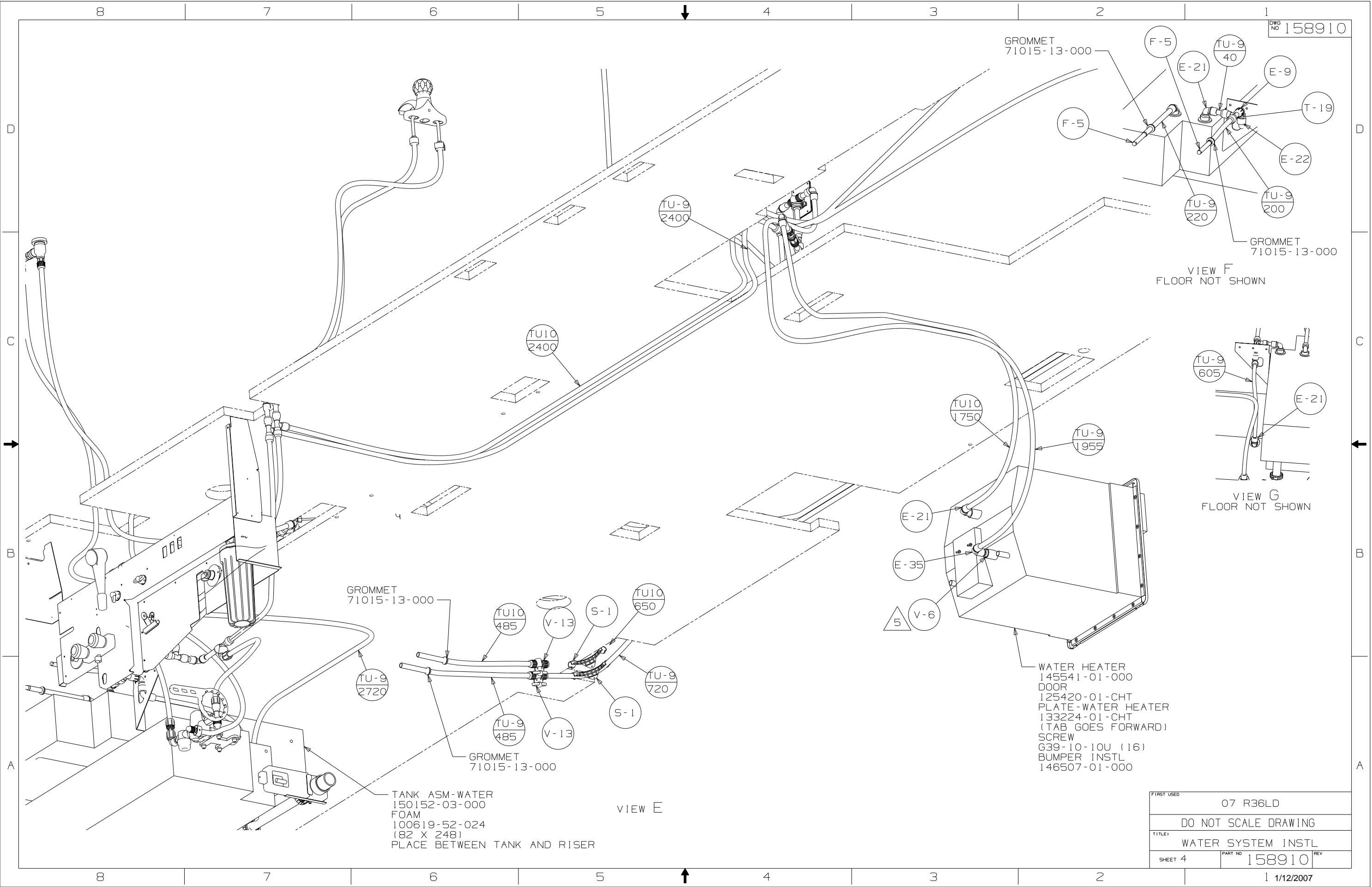
FIRST USED	07 R36LD		
TITLE	DO NOT SCALE DRAWING		
SHEET 2	PART NO	158910	REV
1 1/12/2007			



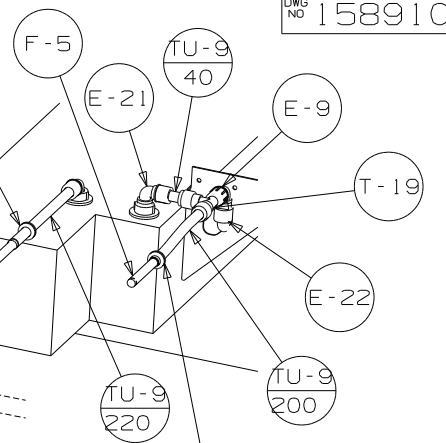
FIRST USED	07 R36LD	
TITLE	DO NOT SCALE DRAWING	
TITLE	WATER SYSTEM INSTL	
SHEET 3	PART NO	158910
	REV	

VIEW C

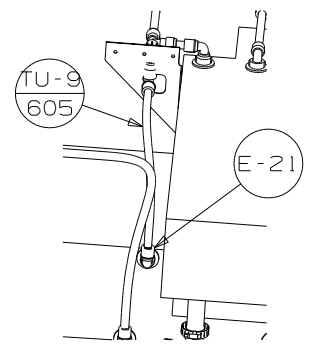
VIEW D



GROMMET
71015-13-000

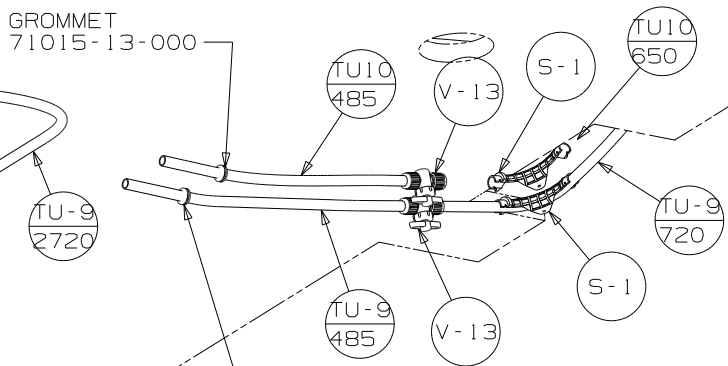


VIEW F
FLOOR NOT SHOWN



VIEW G
FLOOR NOT SHOWN

GROMMET
71015-13-000

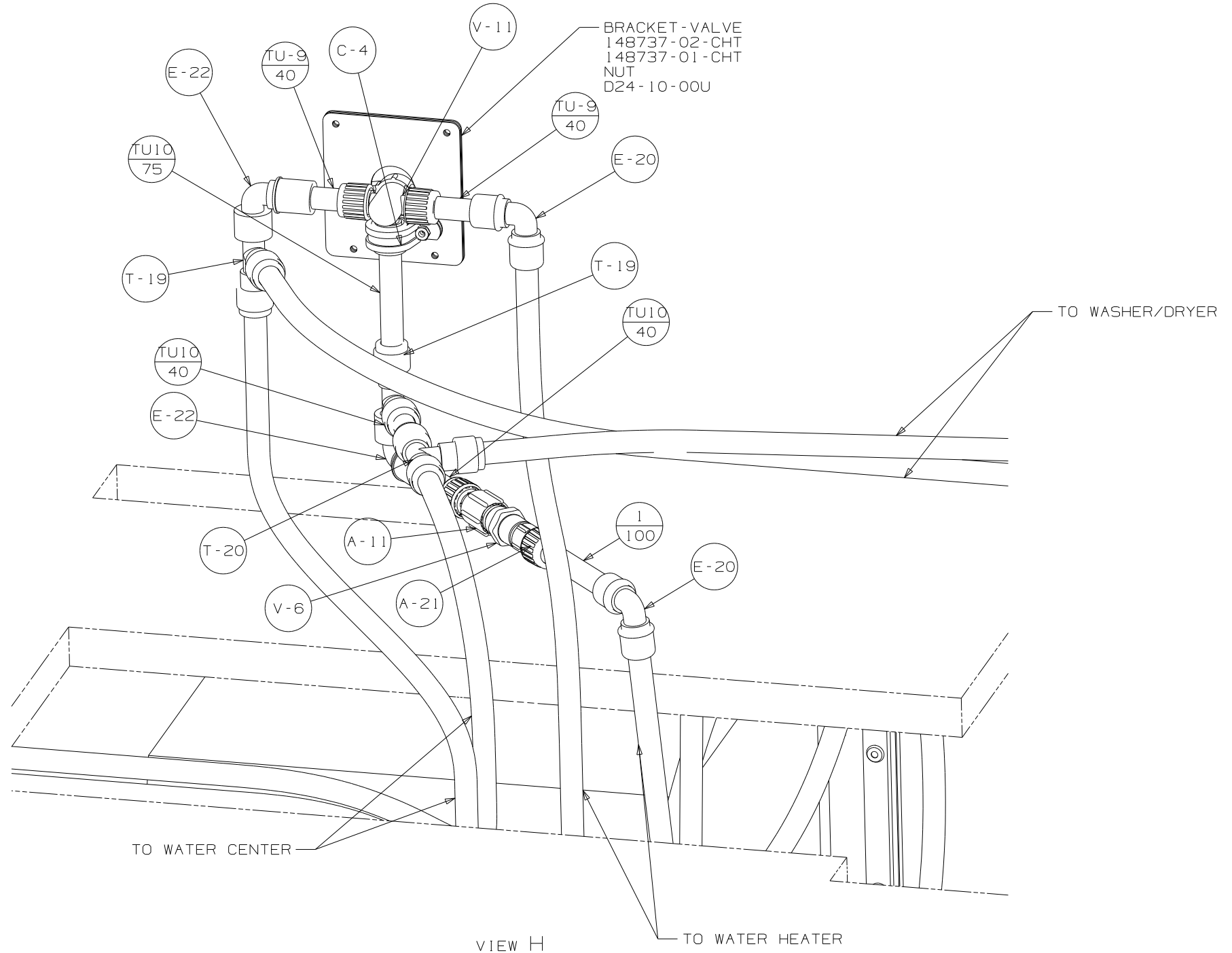


VIEW E

TANK ASM-WATER
150152-03-000
FOAM
100619-52-024
(82 X 248)
PLACE BETWEEN TANK AND RISER

- WATER HEATER
145541-01-000
- DOOR
125420-01-CHT
- PLATE-WATER HEATER
133224-01-CHT
(TAB GOES FORWARD)
- SCREW
G39-10-10U (16)
- BUMPER INSTL
146507-01-000

FIRST USED		07 R36LD	
DO NOT SCALE DRAWING			
TITLE:		WATER SYSTEM INSTL	
SHEET 4	PART NO	158910	REV
1 1/12/2007			



FIRST USED	07 R36LD	
TITLE	DO NOT SCALE DRAWING	
SHEET 5	PART NO	158910
	REV	