



DANGER

Danger of electrical shock, burns or death. Always remove all power sources before attempting any repair, service or diagnostic work. Power can be present from shore power, generator, inverter or battery. All power sources must be disabled and secured before performing any service.



CAUTION

If you lack the skills, tools or equipment to perform diagnostic or repair work leave such work to an authorized Winnebago Industries dealer or other qualified shop.

R-SERIES

	R36LD	R40FD	R40KD	R40TD
CABLE ASM (YEL) FROM BATTERY TO COACH SIDE OF AUX START SOLENOID	141417-52-030	141417-52-030	141417-52-030	141417-52-023
CABLE ASM (ORG) FROM COACH BATTERY TO INVERTER FUSE	141416-02-009	141416-02-009	141416-02-009	141416-02-009
CABLE ASM (ORG) FROM INVERTER FUSE TO INVERTER	141416-61-030	141416-61-030	141416-61-030	141416-61-062
CABLE ASM (BLK) FROM BATTERY TO INVERTER	133567-14-030	133567-14-030	133567-14-030	133567-14-062
CABLE ASM (BLK) FROM COACH BATTERY TO FRAME RAIL GND	133568-11-016	133568-11-016	133568-11-016	133568-11-016
CABLE ASM (BLK) FROM CHASSIS BATTERY TO FRAME RAIL GND	133568-11-013	133568-11-013	133568-11-013	133568-11-013
CABLE ASM (PUR) FROM BATTERY TO CHASSIS SIDE OF AUX START SOLENOID	141417-12-025	141417-12-025	141417-12-025	141417-12-025
CABLE ASM (BLU) FROM AUX START SOLENOID TO LEVELING SYSTEM POWER	141415-22-103	141415-22-113	141415-22-113	141415-22-113
CABLE ASM (GRN) FROM BAT DISC RELAY TO PASS THRU STUD	141416-42-110	141416-42-120	141416-42-120	141416-42-120
CABLE ASM (GRN) FROM PASS THRU STUD TO GENERATOR	141416-42-021	141416-42-021	141416-42-021	141416-42-021
CABLE ASM (BLK) FROM GENERATOR TO FRAME RAIL GROUND	133566-12-020	133566-12-020	133566-12-020	133566-12-020
CABLE ASM (RED) JUMPER BETWEEN POSITIVE POSTS ON COACH BATTERY	133568-01-003 (2)	133568-01-003 (2)	133568-01-003 (2)	133568-01-003 (2)
CABLE ASM (BLK) JUMPER BETWEEN NEGATIVE POSTS ON COACH BATTERY	133568-11-003 (2)	133568-11-003 (2)	133568-11-003 (2)	133568-11-003 (2)
CABLE ASM (RED) JUMPER BETWEEN POSITIVE POSTS IN LEFT FRONT COMPT	133568-01-002	133568-01-002	133568-01-002	133568-01-002
CABLE ASM-TEMPERATURE,BATTERY	148254-04-000	148254-04-000	148254-04-000	148254-06-000

- 1
- 2
- 3
- 2
- 3

P-SERIES (40D)

	P34H	P36G	P39K
CABLE ASM (YEL) FROM BATTERY TO COACH SIDE OF AUX START SOLENOID	141417-52-106	141417-52-106	141417-52-115
CABLE ASM (ORG) FROM COACH BATTERY TO INVERTER FUSE	156203-01-009	156203-01-009	156203-01-009
CABLE ASM (RED) FROM INVERTER FUSE TO INVERTER	136145-03-030	136145-03-030	136145-03-030
CABLE ASM (GRN) FROM BATTERY TO INVERTER	136145-04-030	136145-04-030	136145-04-030
CABLE ASM (BLK) FROM COACH BATTERY TO FRAME RAIL GND	133568-11-016	133568-11-016	133568-11-016
CABLE ASM (BLK) FROM CHASSIS BATTERY TO FRAME RAIL GND	133568-11-013	133568-11-013	133568-11-013
CABLE ASM (PUR) FROM BATTERY TO CHASSIS SIDE OF AUX START SOLENOID	141417-12-106	141417-12-106	141417-12-115
CABLE ASM (BLU) FROM AUX START SOLENOID TO LEVELING SYSTEM POWER	141415-22-018	141415-22-018	141415-22-018
CABLE ASM (GRN) FROM BAT DISC RELAY TO GENERATOR	141415-42-018	141415-42-018	141415-42-018
CABLE ASM (BLK) FROM GENERATOR TO FRAME RAIL GROUND	133566-12-020	133566-12-020	133566-12-020
CABLE ASM (RED) JUMPER BETWEEN POSITIVE POSTS ON COACH BATTERY	133568-01-003	133568-01-003	133568-01-003
CABLE ASM (BLK) JUMPER BETWEEN NEGATIVE POSTS ON COACH BATTERY	133568-11-003	133568-11-003	133568-11-003

- 1
- 3
- 2

S-SERIES

	S40FD	S40KD	S40TD
CABLE ASM (YEL) FROM BATTERY TO COACH SIDE OF AUX START SOLENOID	141417-52-030	141417-52-030	141417-52-023
CABLE ASM (ORG) FROM COACH BATTERY TO INVERTER FUSE	141416-02-009	141416-02-009	141416-02-009
CABLE ASM (ORG) FROM INVERTER FUSE TO INVERTER	141416-61-030	141416-61-030	141416-61-062
CABLE ASM (BLK) FROM BATTERY TO INVERTER	133567-14-030	133567-14-030	133567-14-062
CABLE ASM (BLK) FROM COACH BATTERY TO FRAME RAIL GND	133568-11-016	133568-11-016	133568-11-016
CABLE ASM (BLK) FROM CHASSIS BATTERY TO FRAME RAIL GND	133568-11-013	133568-11-013	133568-11-013
CABLE ASM (PUR) FROM BATTERY TO CHASSIS SIDE OF AUX START SOLENOID	141417-12-025	141417-12-025	141417-12-025
CABLE ASM (BLU) FROM AUX START SOLENOID TO LEVELING SYSTEM POWER	141415-22-113	141415-22-113	141415-22-113
CABLE ASM (GRN) FROM BAT DISC RELAY TO PASS THRU STUD	141416-42-120	141416-42-120	141416-42-120
CABLE ASM (GRN) FROM PASS THRU STUD TO GENERATOR	141416-42-025	141416-42-025	141416-42-025
CABLE ASM (BLK) FROM GENERATOR TO FRAME RAIL GROUND	133566-12-012	133566-12-012	133566-12-012
CABLE ASM (RED) JUMPER BETWEEN POSITIVE POSTS ON COACH BATTERY	133568-01-003 (2)	133568-01-003 (2)	133568-01-003 (2)
CABLE ASM (BLK) JUMPER BETWEEN NEGATIVE POSTS ON COACH BATTERY	133568-11-003 (2)	133568-11-003 (2)	133568-11-003 (2)
CABLE ASM (RED) JUMPER BETWEEN POSITIVE POSTS IN LEFT FRONT COMPT	133568-01-002	133568-01-002	133568-01-002
CABLE ASM-TEMPERATURE,BATTERY	148254-04-000	148254-04-000	148254-06-000

- 1
- 2
- 3
- 2
- 3

P-SERIES (13X)

	P34H	P36G	P39K
CABLE ASM (YEL) FROM BATTERY TO COACH SIDE OF AUX START SOLENOID	141417-52-106	141417-52-106	141417-52-115
CABLE ASM (ORG) FROM COACH BATTERY TO INVERTER FUSE	141416-02-009	141416-02-009	141416-02-009
CABLE ASM (ORG) FROM INVERTER FUSE TO INVERTER	141416-61-030	141416-61-030	141416-61-030
CABLE ASM (BLK) FROM BATTERY TO INVERTER	133567-14-030	133567-14-030	133567-14-030
CABLE ASM (BLK) FROM COACH BATTERY TO FRAME RAIL GND	133568-11-016	133568-11-016	133568-11-016
CABLE ASM (BLK) FROM CHASSIS BATTERY TO FRAME RAIL GND	133568-11-013	133568-11-013	133568-11-013
CABLE ASM (PUR) FROM BATTERY TO CHASSIS SIDE OF AUX START SOLENOID	141417-12-106	141417-12-106	141417-12-115
CABLE ASM (BLU) FROM AUX START SOLENOID TO LEVELING SYSTEM POWER	141415-22-018	141415-22-018	141415-22-018
CABLE ASM (GRN) FROM BAT DISC RELAY TO GENERATOR	141415-42-018	141415-42-018	141415-42-018
CABLE ASM (BLK) FROM GENERATOR TO FRAME RAIL GROUND	133566-12-020	133566-12-020	133566-12-020
CABLE ASM (RED) JUMPER BETWEEN POSITIVE POSTS ON COACH BATTERY	133568-01-003 (2)	133568-01-003 (2)	133568-01-003 (2)
CABLE ASM (BLK) JUMPER BETWEEN NEGATIVE POSTS ON COACH BATTERY	133568-11-003 (2)	133568-11-003 (2)	133568-11-003 (2)
CABLE ASM-TEMPERATURE,BATTERY	148254-04-000	148254-04-000	148254-04-000

- 1
- 3
- 2

- (40D) INVERTER-DC/AC,600 WATT
- (13X) INVERTER/CHARGER 2.0 KW
- (265) CODES/STANDARDS-CSA/CMVSS
- (1B1) CODES/STANDARDS USA
- (1B1) (265)

WINNEBAGO COPYRIGHT 2006 WINNEBAGO INDUSTRIES, INC.

D/FR	ORIG. DATE
CHKR	ALL DIMENSIONS ARE IN MILLIMETERS
P.E.	FIRST USED
M.E.	07 P,R,S-SERIES
DSNR	
UNSPECIFIED TOLERANCES ARE:	MATERIAL:
HOLE DIM (X)	: 3
ONE-PLACE (X.X)	: 1.5
TWO-PLACE (X.XX)	: 0.50
ANGLE	: 1°
THIRD ANGLE PROJECTION	

DO NOT SCALE DRAWING

TITLE: BATTERY INSTL

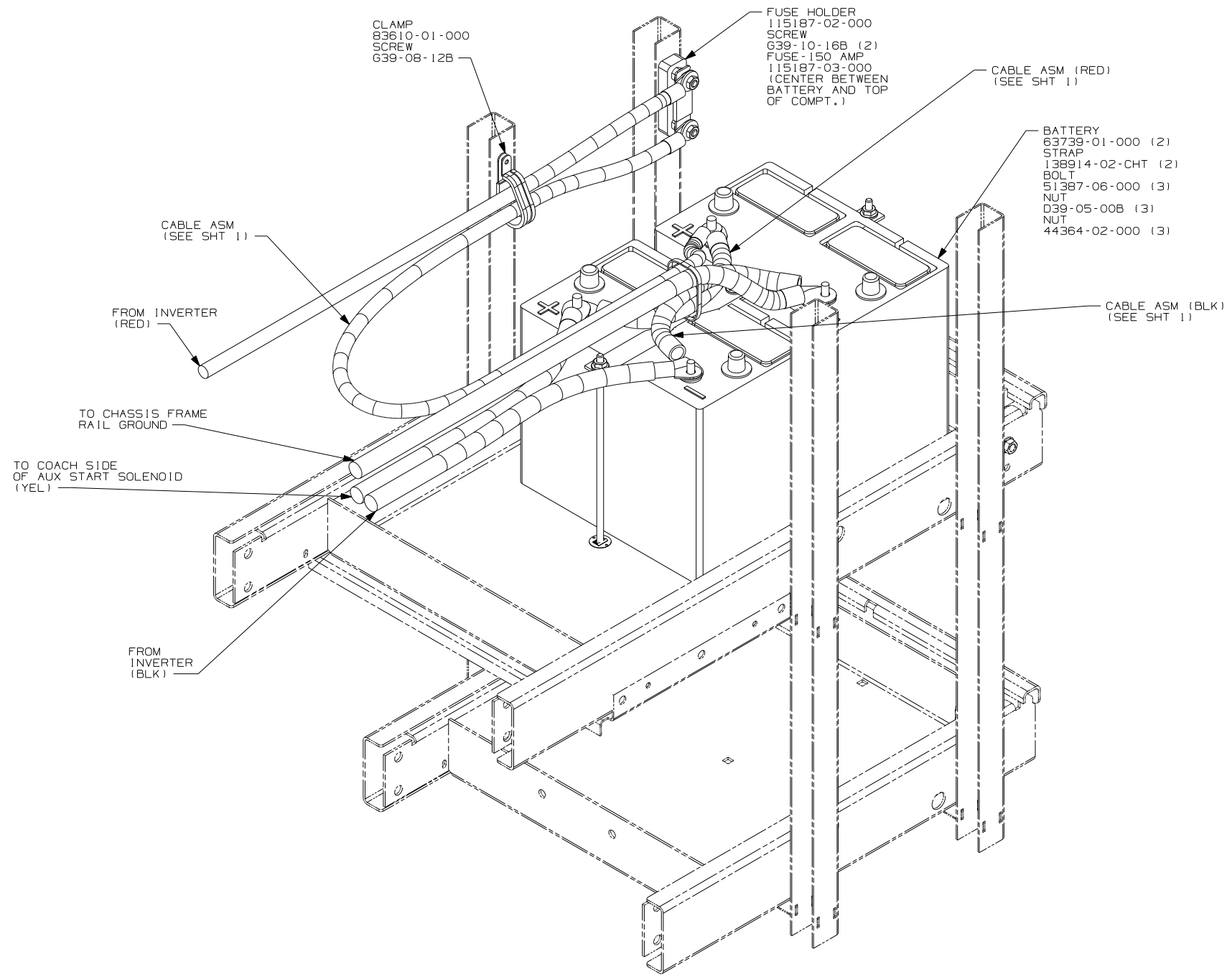
SHEET 1 of 5 PART NO 159642 REV

REF: 1 4/24/2007

- 3 SEE WIRING INSTL-FRONT END FOR ADDITIONAL INFORMATION.
 - 2 SEE WIRING INSTL-CHASSIS FOR ADDITIONAL INFORMATION.
 - 1 SEE LEVELING SYSTEM INSTL FOR ADDITIONAL INFORMATION.
- NOTES:

FOR ELECTRICAL TORQUE SPECIFICATIONS SEE DWG NO. 128783-01-000

FOR ELECTRICAL CALLOUTS SEE DWG NO. 121339-01-000



COACH BATTERIES

- 40D INVERTER-DC/AC,600 WATT
- 265 CODES/STANDARDS-CSA/CMVSS
- 1B1 CODES/STANDARDS USA

1B1 265 40D

FIRST USED
07 P,R,S-SERIES

DO NOT SCALE DRAWING

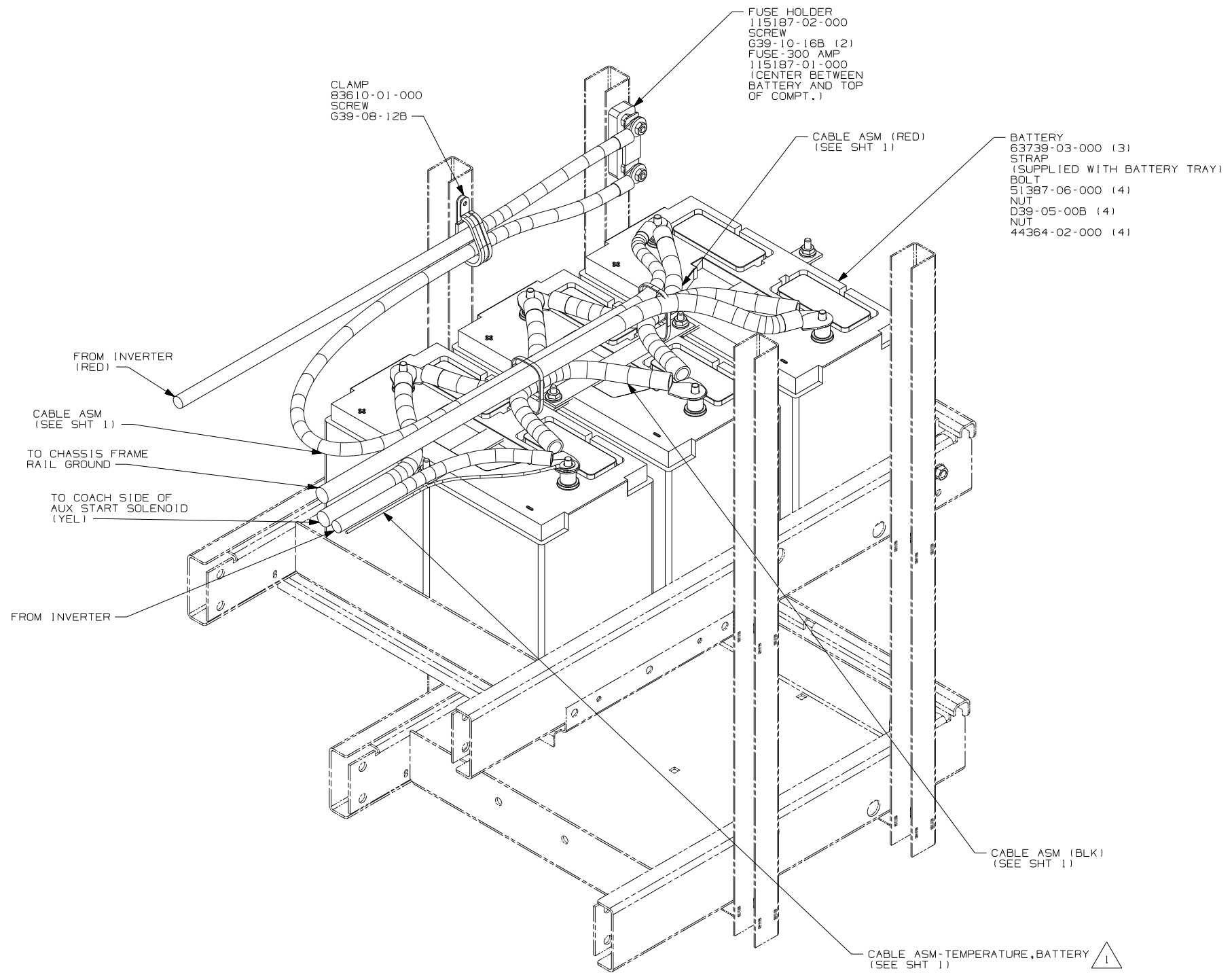
TITLE:
BATTERY INSTL

SHEET 2 PART NO 159642 REV

FOR ELECTRICAL TORQUE SPECIFICATIONS SEE DWG NO. 128783-01-000



FOR ELECTRICAL CALLOUTS SEE DWG NO. 121339-01-000



COACH BATTERIES

1 CONNECT RING TERMINAL OF CABLE ASM-TEMP,BATTERY TO NEGATIVE POST AS SHOWN AND ROUTE CABLE WITH NEGATIVE BATTERY CABLE TO INVERTER.

NOTES:

FOR ELECTRICAL TORQUE SPECIFICATIONS SEE DWG NO. 128783-01-000

X-X FOR ELECTRICAL CALLOUTS SEE DWG NO. 121339-01-000

- 13X INVERTER/CHARGER 2.0 KW
- 265 CODES/STANDARDS-CSA/CMVSS
- 1B1 CODES/STANDARDS USA

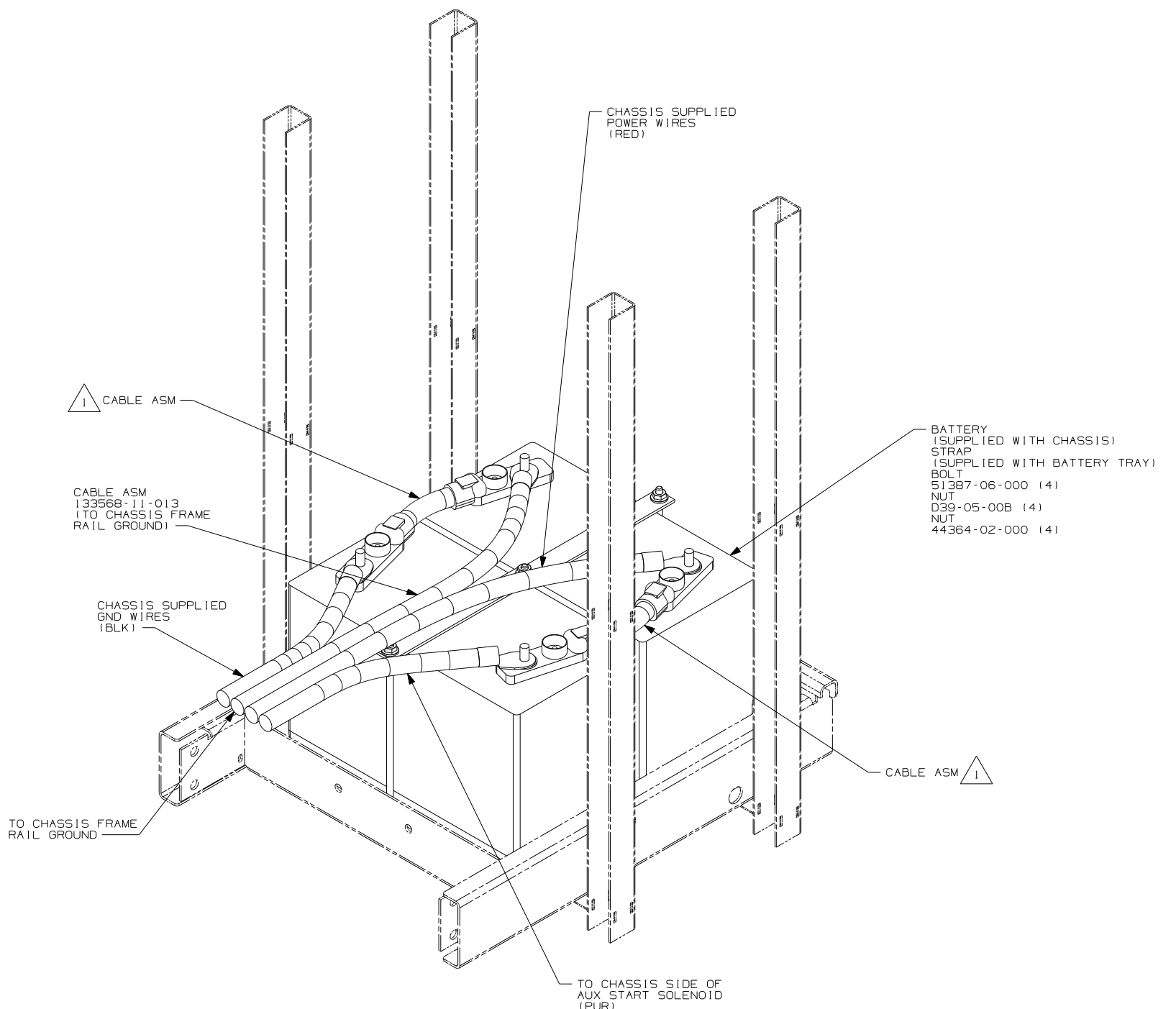
1B1 265 13X

FIRST USED 07 P,R,S-SERIES

DO NOT SCALE DRAWING

TITLE: BATTERY INSTL

SHEET 3 PART NO 159642 REV



CHASSIS BATTERIES

265 CODES/STANDARDS - CSA/CMVSS

1B1 CODES/STANDARDS USA

1B1 265

FIRST USED 07 P, R, S - SERIES

DO NOT SCALE DRAWING

TITLE: BATTERY INSTL

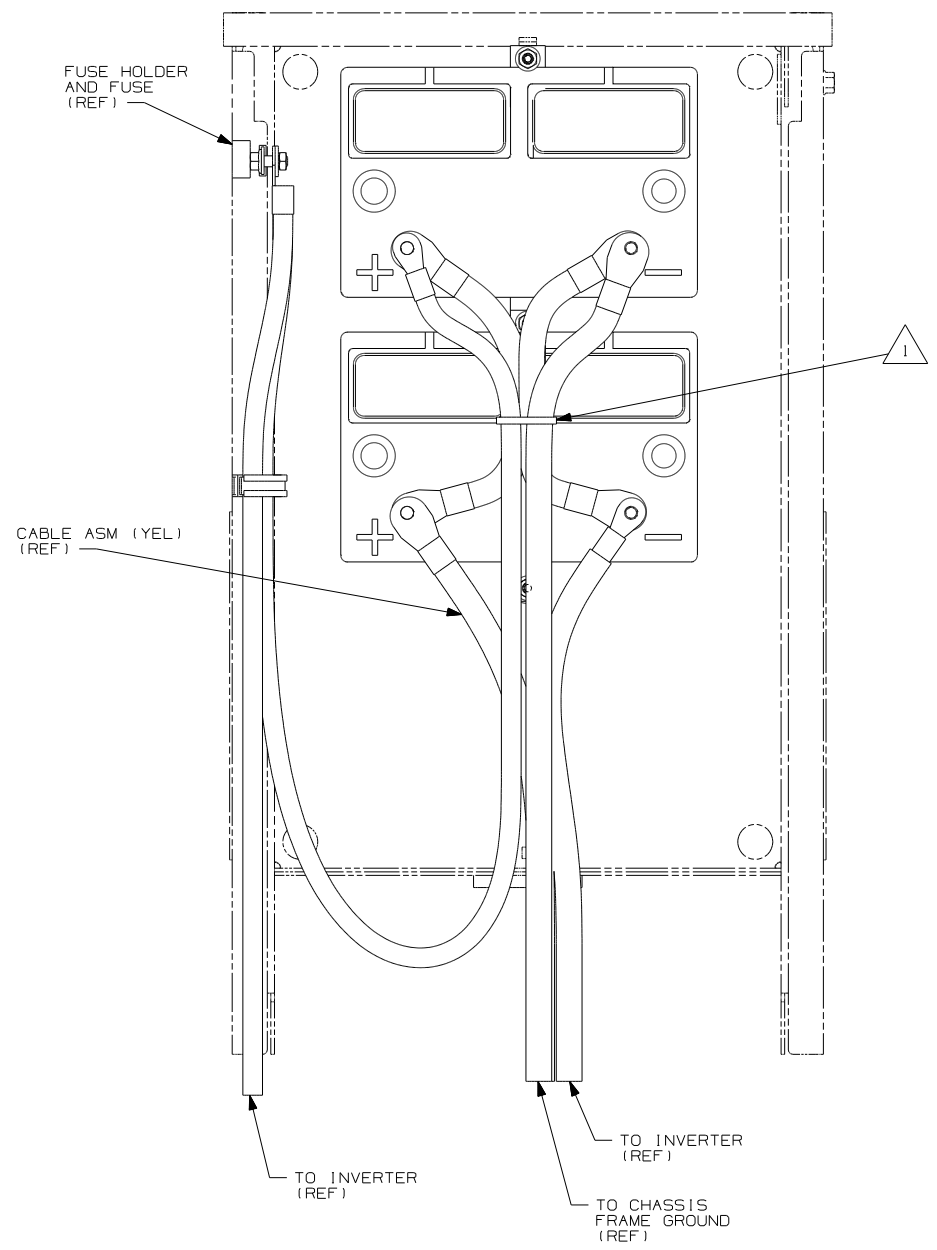
SHEET 4 PART NO 159642 REV

1 4/24/2007

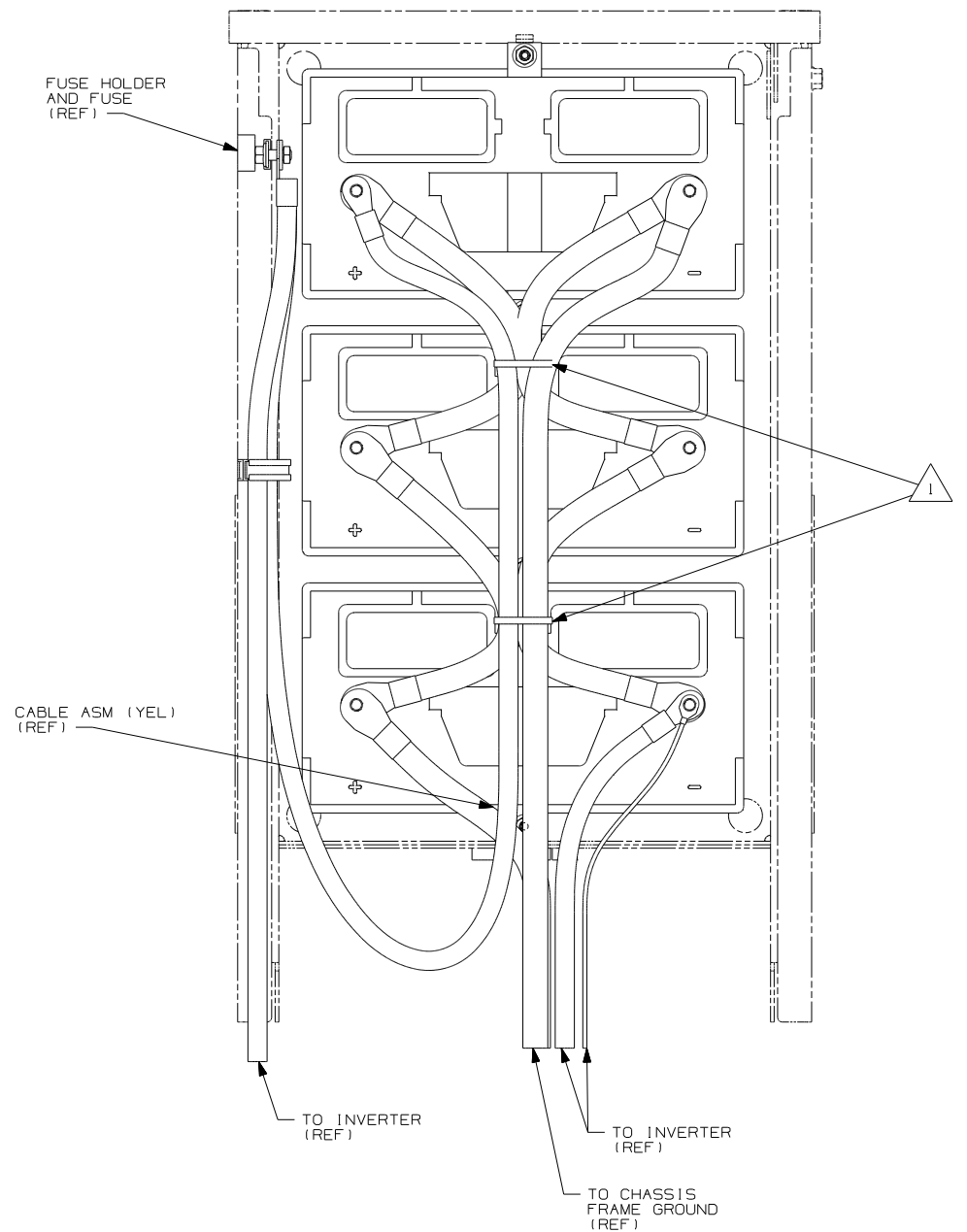
FOR ELECTRICAL TORQUE SPECIFICATIONS SEE DWG NO. 128783-01-000

FOR ELECTRICAL CALLOUTS SEE DWG NO. 121339-01-000

NOTES: 1 SUPPLIED WITH CHASSIS.



COACH BATTERIES 40D (TOP VIEW)



COACH BATTERIES 13X (TOP VIEW)

1 ROUTE CABLES SO BATTERY CAPS CAN BE REMOVED FOR SERVICE. USE WIRE TIE 008343-02-000 AS SHOWN AND AS NEEDED.

NOTES:

FOR ELECTRICAL TORQUE SPECIFICATIONS SEE DWG NO. 128783-01-000

X-X FOR ELECTRICAL CALLOUTS SEE DWG NO. 121339-01-000

- 40D INVERTER-DC/AC,600 WATT
- 13X INVERTER/CHARGER 2.0 KW
- 265 CODES/STANDARDS-CSA/CMVSS
- 1B1 CODES/STANDARDS USA

1B1 265

FIRST USED 07 P,R,S-SERIES

DO NOT SCALE DRAWING

TITLE: BATTERY INSTL

SHEET 5 PART NO 159642 REV