



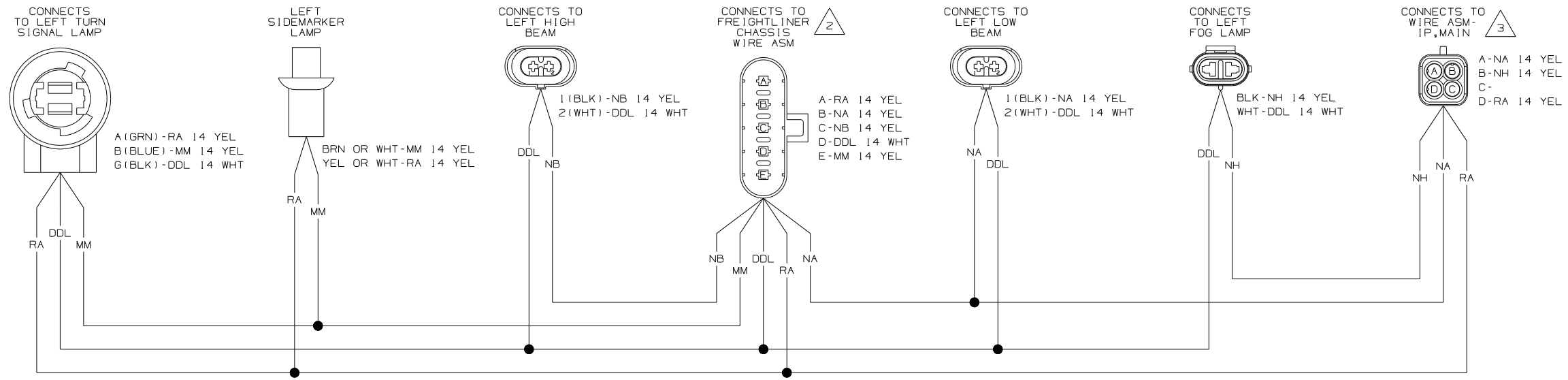
DANGER

Danger of electrical shock, burns or death. Always remove all power sources before attempting any repair, service or diagnostic work. Power can be present from shore power, generator, inverter or battery. All power sources must be disabled and secured before performing any service.

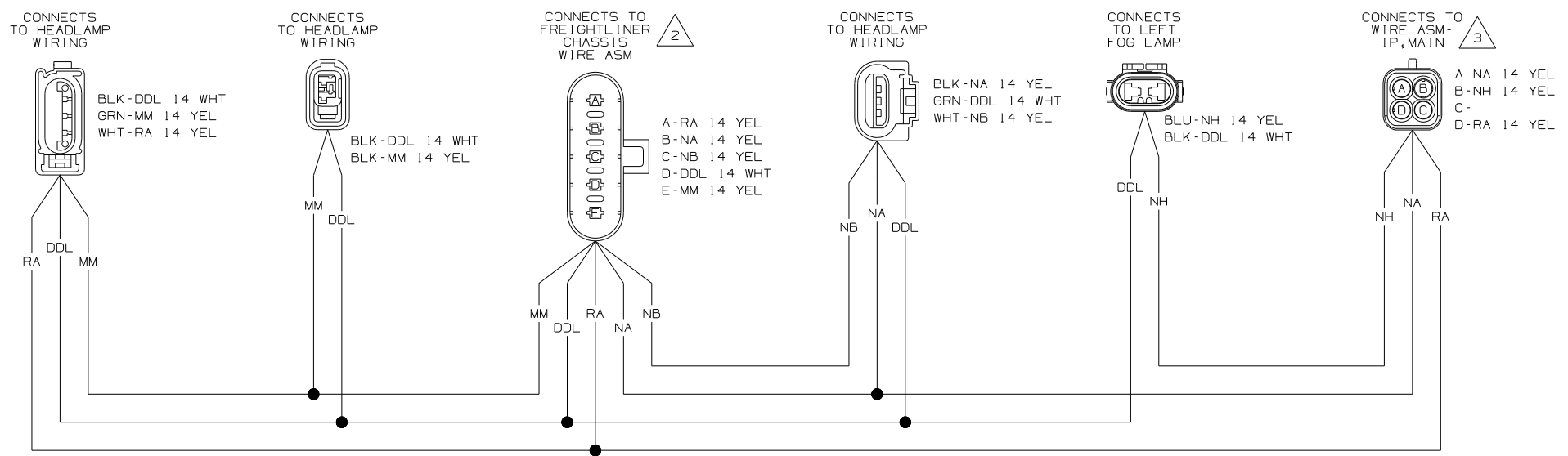


CAUTION

If you lack the skills, tools or equipment to perform diagnostic or repair work leave such work to an authorized Winnebago Industries dealer or other qualified shop.



WIRING DIAGRAM-HEADLAMP
(WIRE ASM 146086-09 REV-K)
(WINNEBAGO)

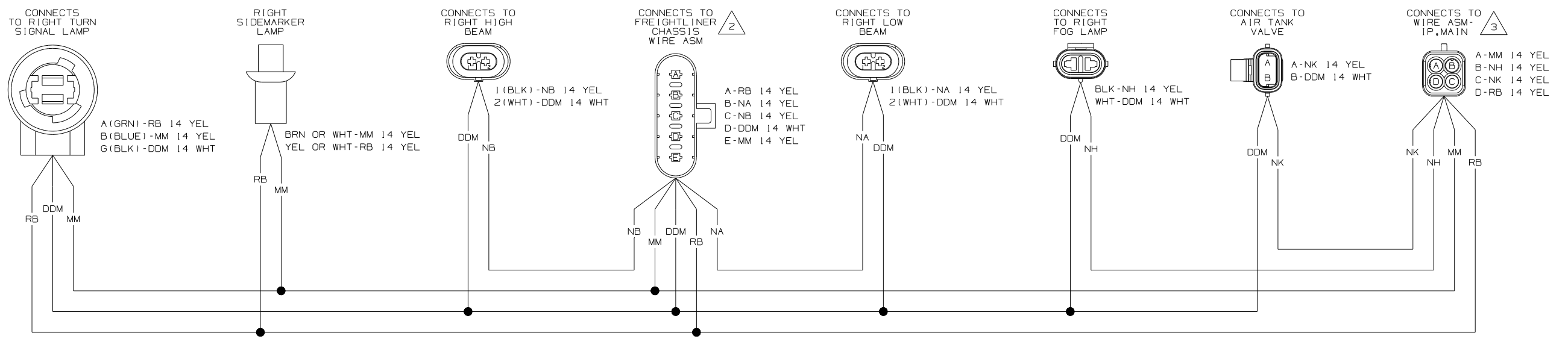


WIRING DIAGRAM-HEADLAMP
(WIRE ASM 146086-11 REV-K)
(ITASCA)

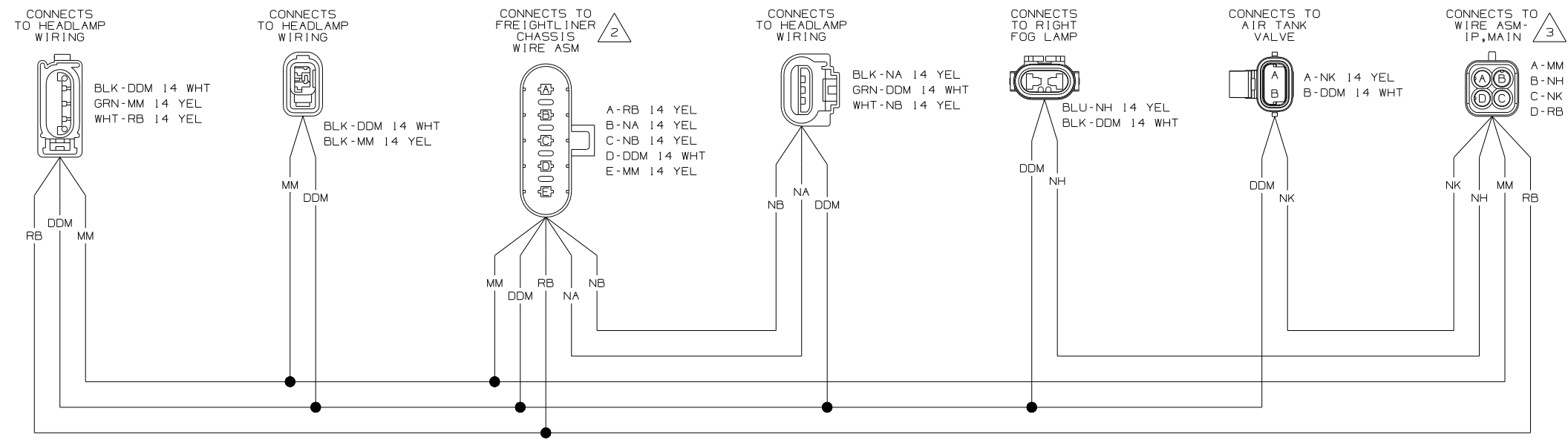
- 3 SEE WIRING DIAGRAM-AUTO FOR ADDITIONAL INFORMATION.
- 2 SEE MANUFACTURERS DIAGRAM FOR ADDITIONAL INFORMATION.
1. SPLICES ARE THEORETICAL AND MAY DIFFER IN THE HARNESS.

NOTES:

WINNEBAGO		COPYRIGHT 2006 WINNEBAGO INDUSTRIES, INC.	
DFTR	ORIG. DATE	ALL DIMENSIONS ARE IN MILLIMETERS	
CHKR		FIRST USED	
P.E.		07 R-SERIES	
M.E.		UNSPECIFIED TOLERANCES ARE:	
DSNR		MATERIAL:	
		WHOLE DIM (X)	:
		ONE-PLACE (X.X)	:
		TWO-PLACE (X.XX)	:
		ANGLE	:
THIRD ANGLE PROJECTION			
DO NOT SCALE DRAWING			
TITLE: WIRING DIAGRAM-AUTO LAMPS			
SHEET 1 of 3	PART NO	156377	REV
REF:	1 6/16/2006		



WIRING DIAGRAM-HEADLAMP
(WIRE ASM 146086-10 REV-K)
(WINNEBAGO)

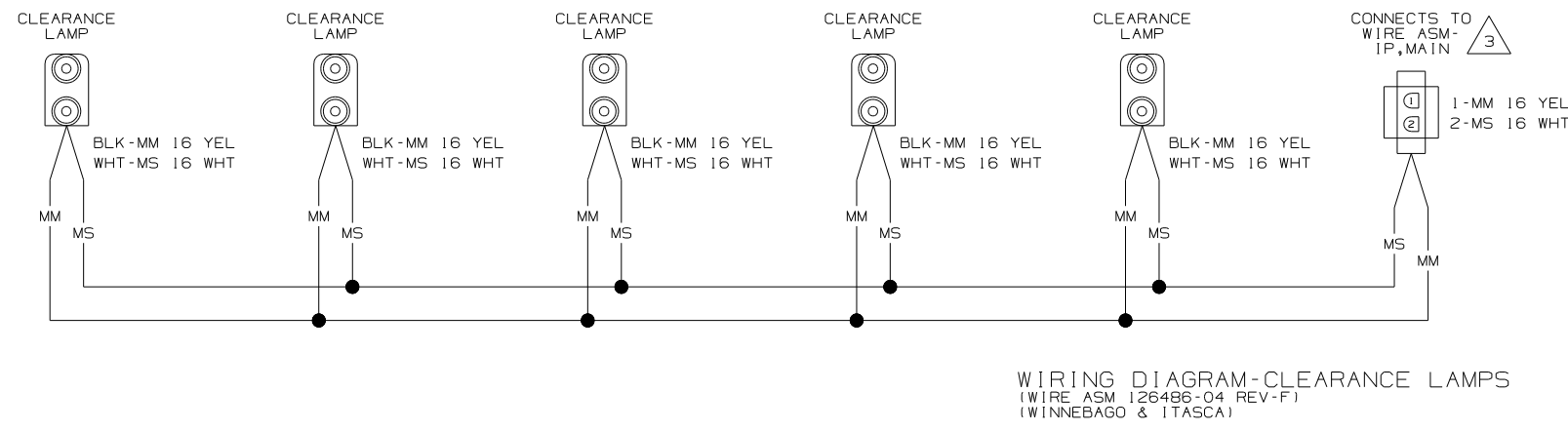
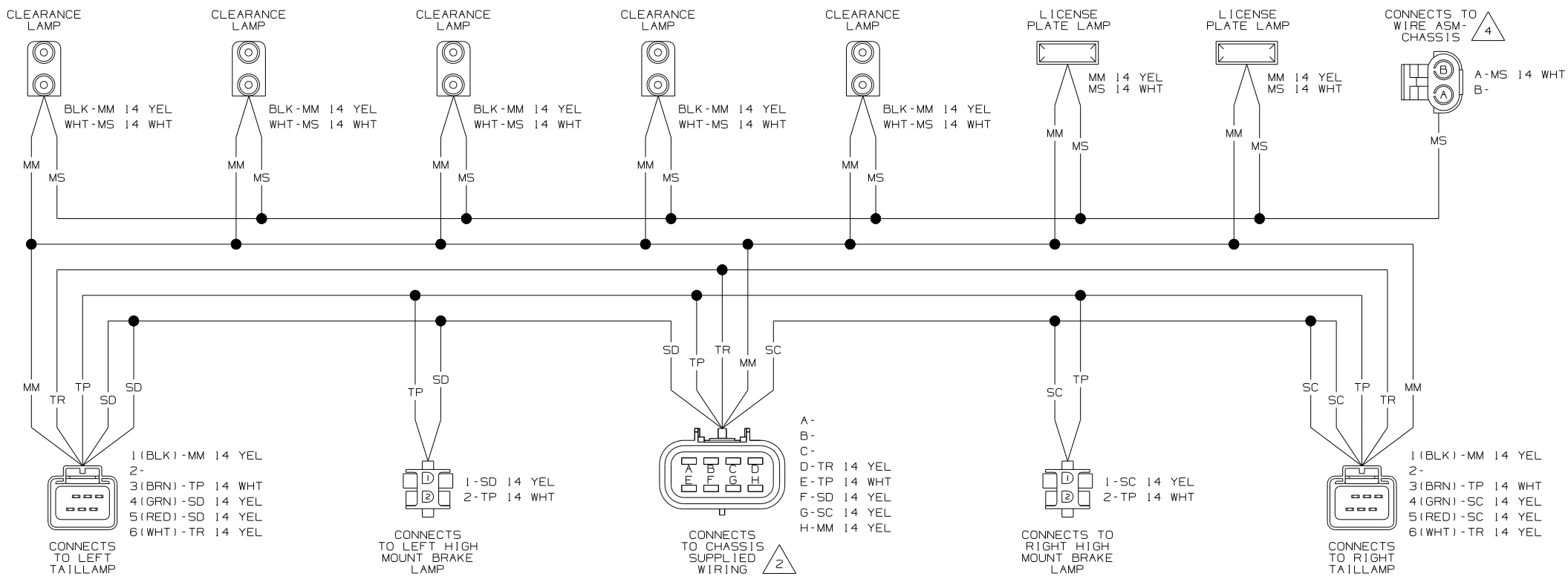


WIRING DIAGRAM-HEADLAMP
(WIRE ASM 146086-12 REV-K)
(ITASCA)

- 3 SEE WIRING DIAGRAM-AUTO FOR ADDITIONAL INFORMATION.
- 2 SEE MANUFACTURERS DIAGRAM FOR ADDITIONAL INFORMATION.
- 1. SPLICES ARE THEORETICAL AND MAY DIFFER IN THE HARNESS.

NOTES:

FIRST USED	07 R-SERIES		
TITLE	DO NOT SCALE DRAWING		
	WIRING DIAGRAM-AUTO LAMPS		
SHEET 2	PART NO	156377	REV



- △ SEE WIRING DIAGRAM-BODY, 12V FOR ADDITIONAL INFORMATION.
- △ SEE WIRING DIAGRAM-AUTO FOR ADDITIONAL INFORMATION.
- △ SEE MANUFACTURERS DIAGRAM FOR ADDITIONAL INFORMATION.

1. SPLICES ARE THEORETICAL AND MAY DIFFER IN THE HARNESS.

NOTES:

FIRST USED	07 R-SERIES
TITLE:	DO NOT SCALE DRAWING
WIRING DIAGRAM-AUTO LAMPS	
SHEET 3	PART NO 156377 REV