



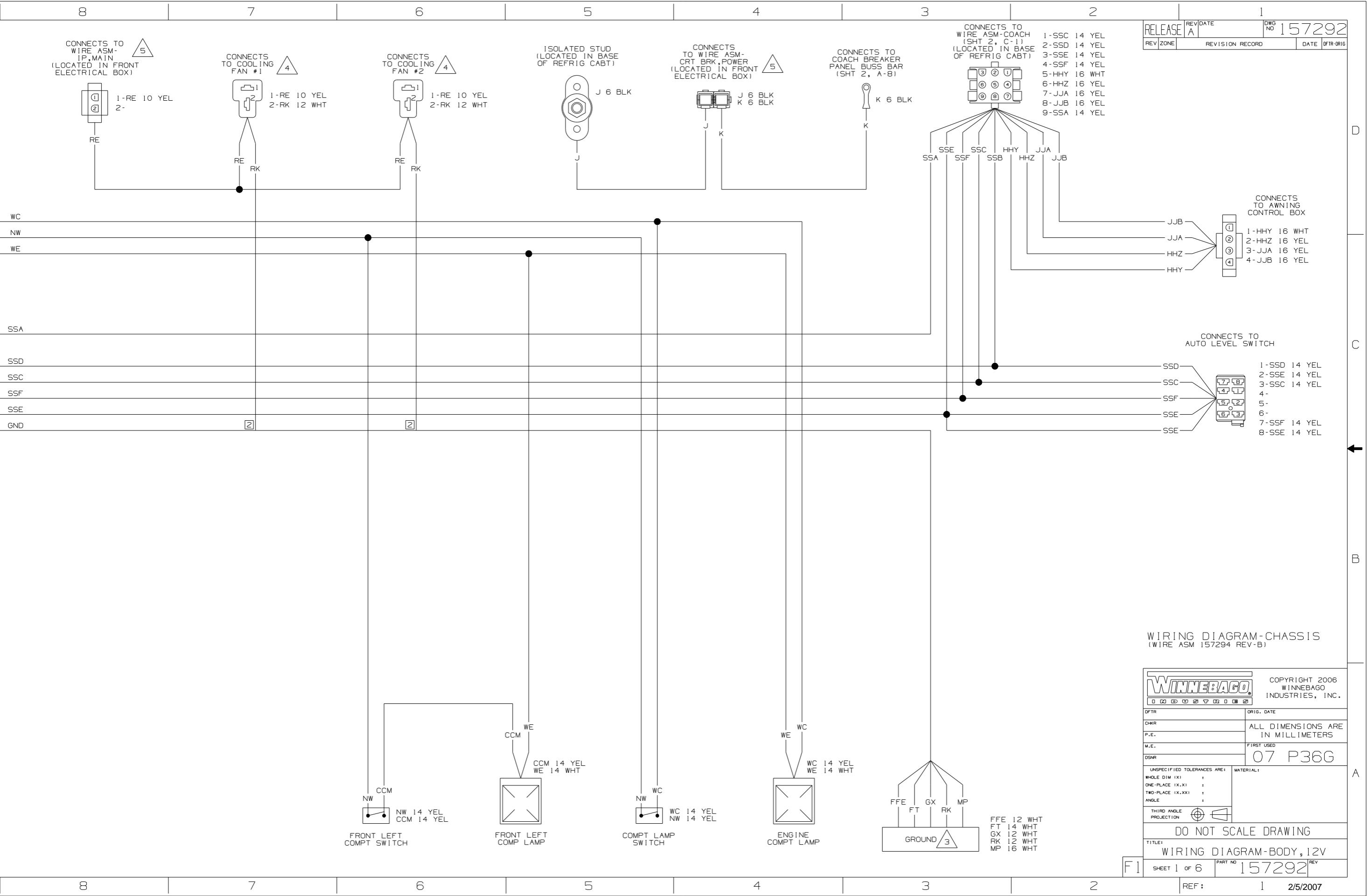
DANGER

Danger of electrical shock, burns or death. Always remove all power sources before attempting any repair, service or diagnostic work. Power can be present from shore power, generator, inverter or battery. All power sources must be disabled and secured before performing any service.



CAUTION

If you lack the skills, tools or equipment to perform diagnostic or repair work leave such work to an authorized Winnebago Industries dealer or other qualified shop.



WIRING DIAGRAM-CHASSIS
 (WIRE ASM 157294 REV-B)

WINNEBAGO COPYRIGHT 2006 WINNEBAGO INDUSTRIES, INC.

DFTR	ORIG. DATE
CHNR	ALL DIMENSIONS ARE IN MILLIMETERS
P.E.	
M.E.	FIRST USED
DSNR	07 P36G

UNSPECIFIED TOLERANCES ARE: MATERIAL:

WHOLE DIM (X)	:
ONE-PLACE (X.X)	:
TWO-PLACE (X.XX)	:
ANGLE	:

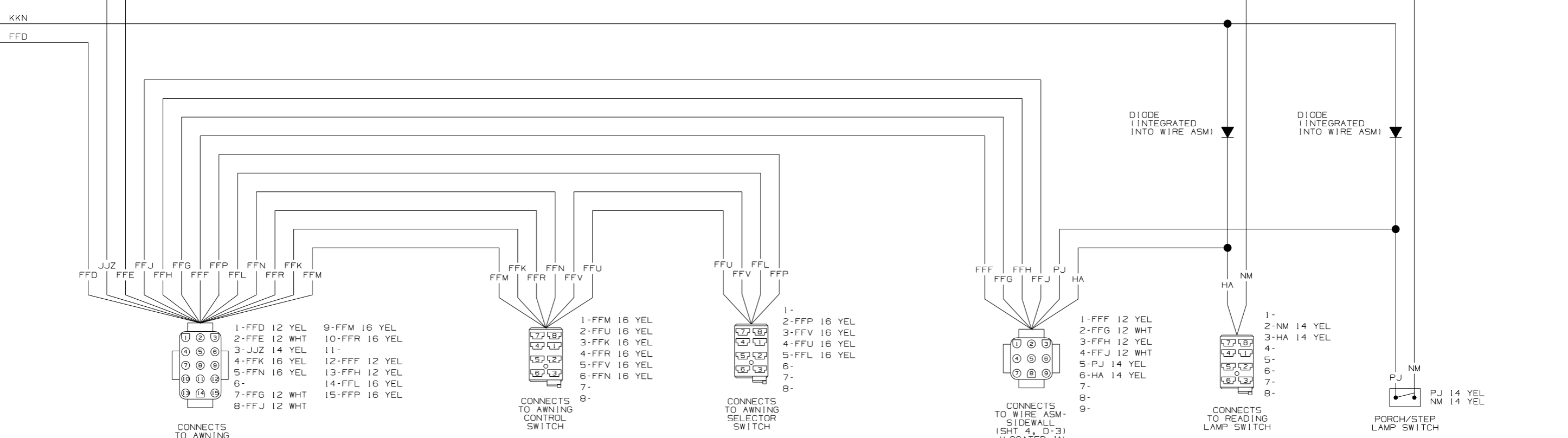
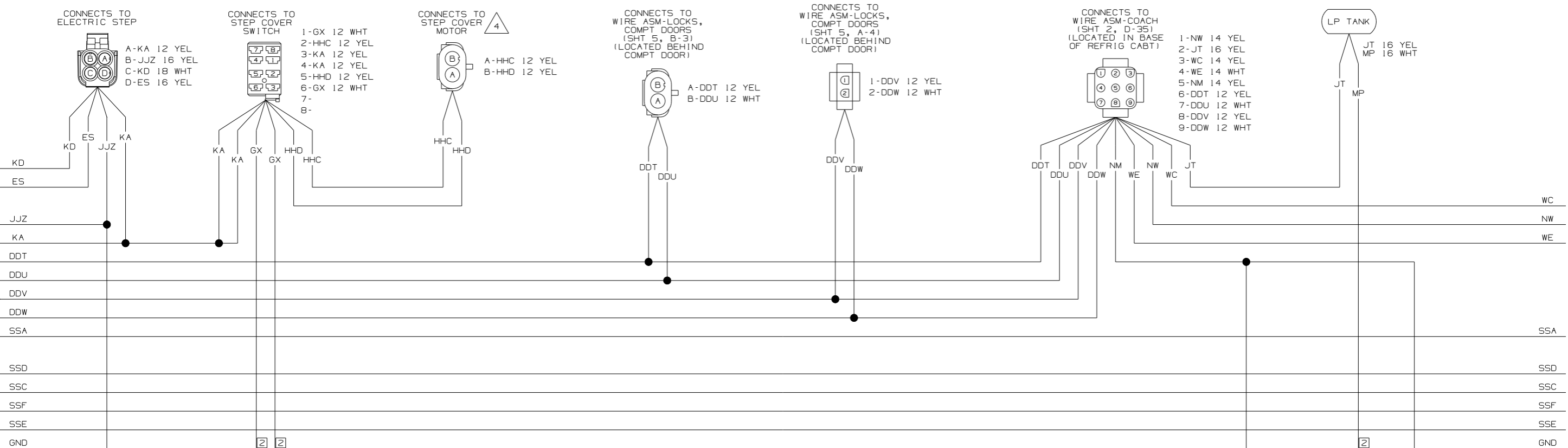
THIRD ANGLE PROJECTION

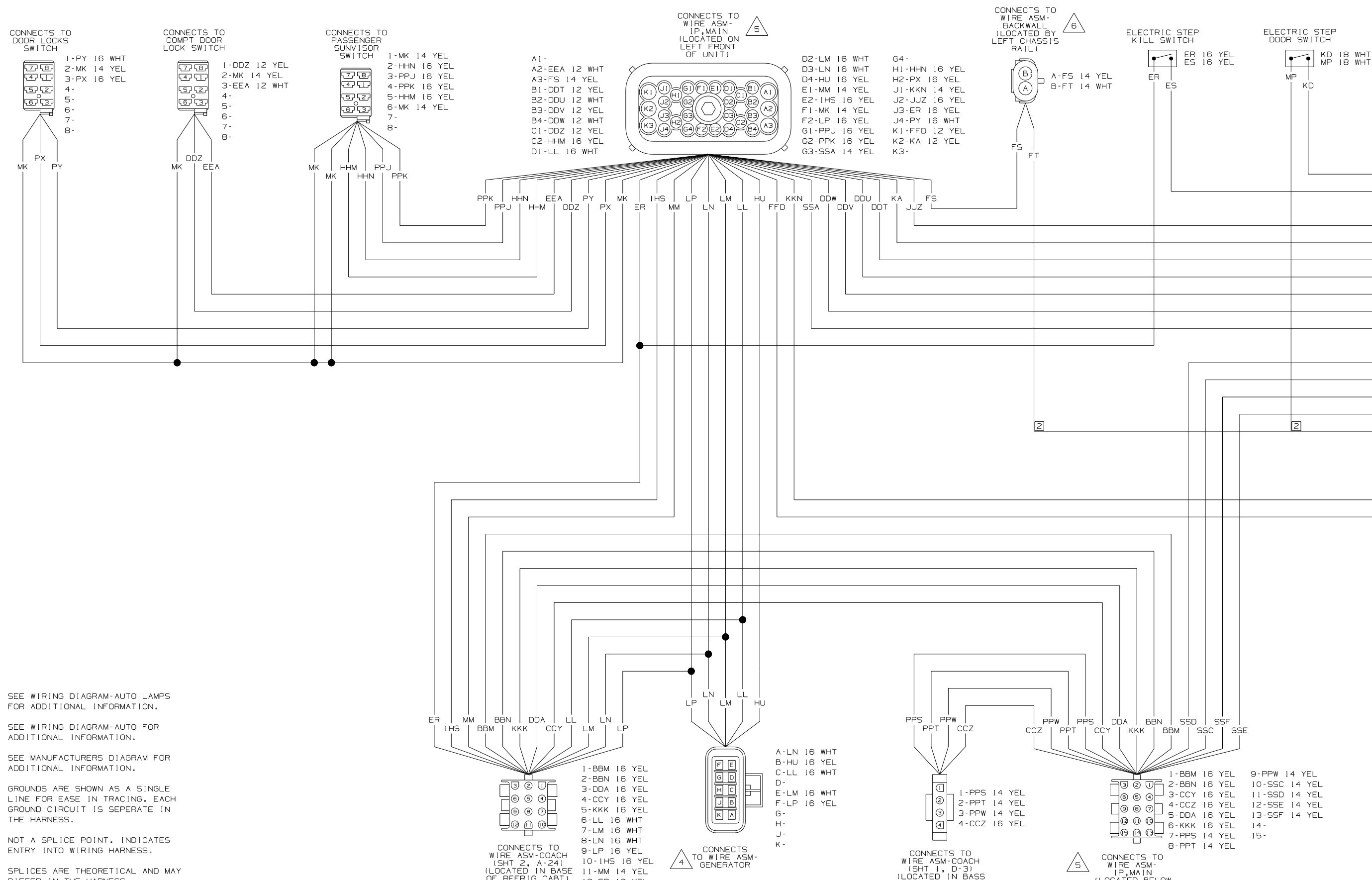
DO NOT SCALE DRAWING

TITLE: WIRING DIAGRAM-BODY, 12V

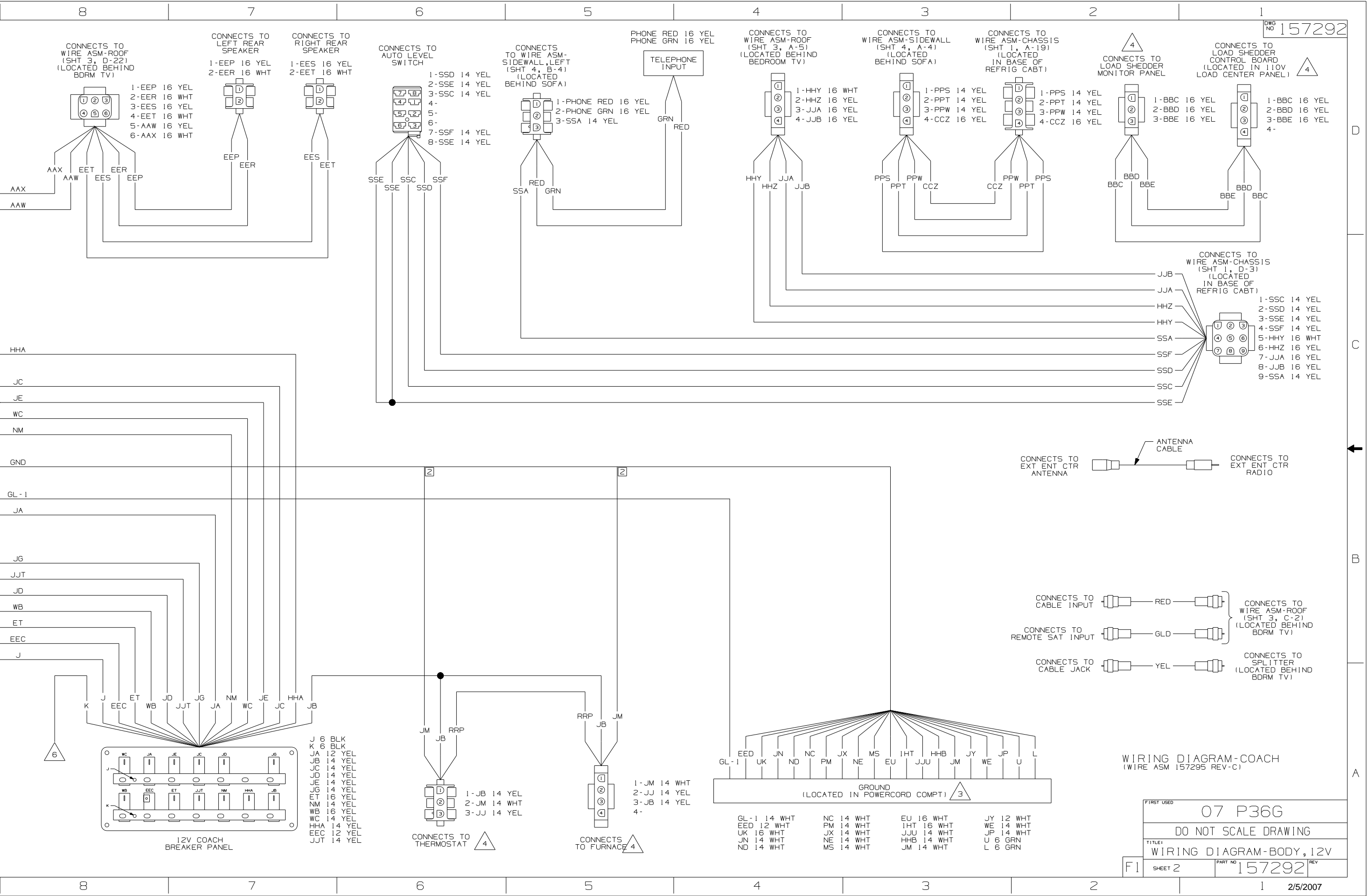
SHEET 1 of 6 PART NO 157292 REV

REF: 1 2/5/2007



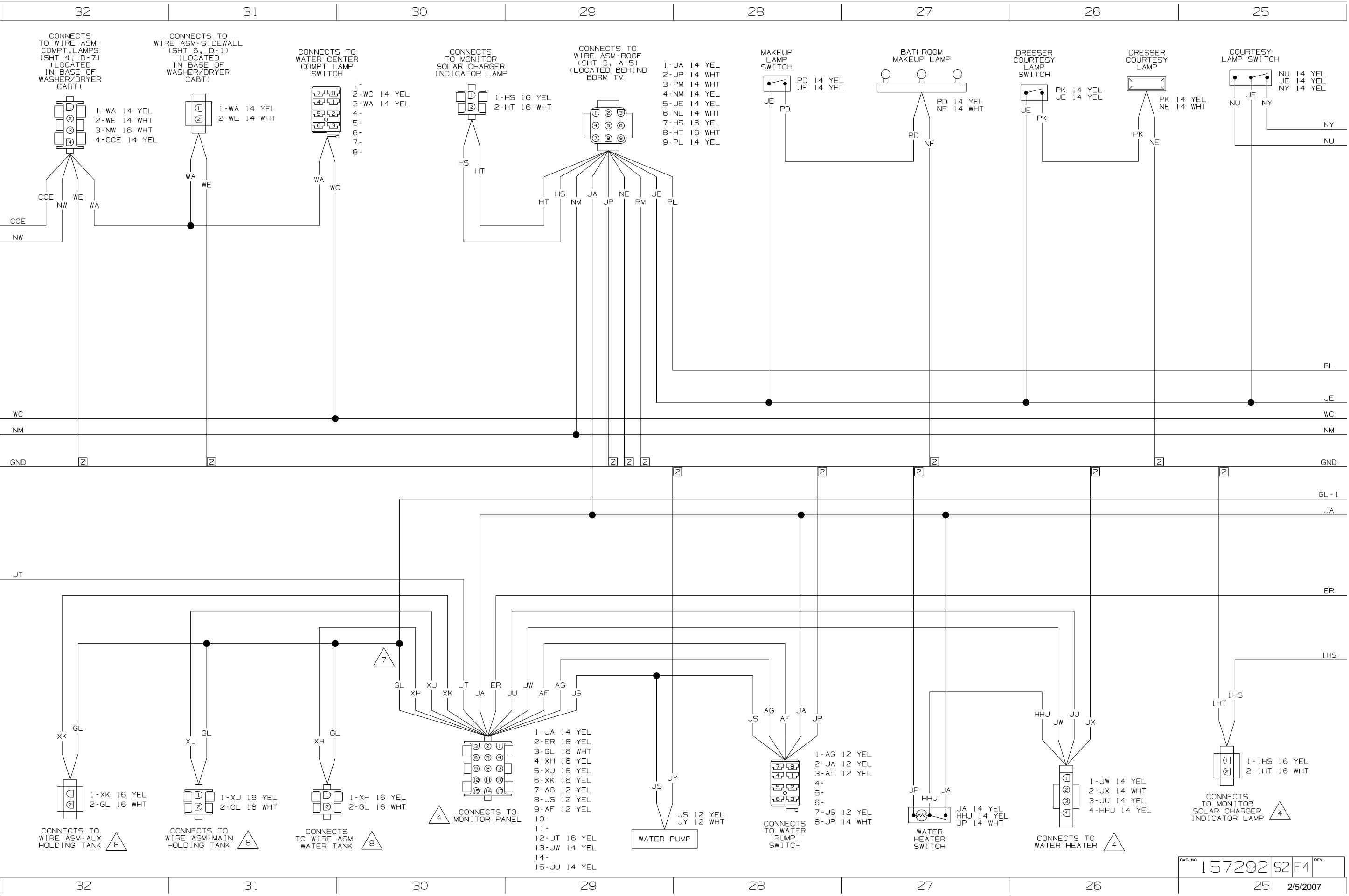


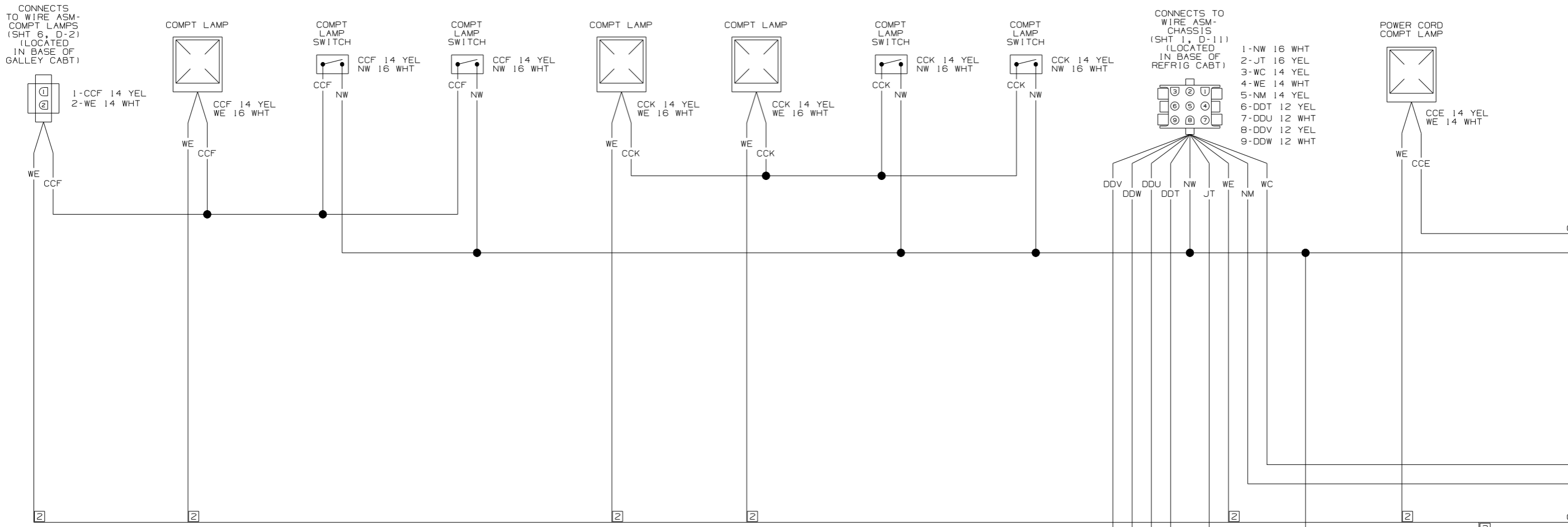
- △ 6 SEE WIRING DIAGRAM-AUTO LAMPS FOR ADDITIONAL INFORMATION.
 - △ 5 SEE WIRING DIAGRAM-AUTO FOR ADDITIONAL INFORMATION.
 - △ 4 SEE MANUFACTURERS DIAGRAM FOR ADDITIONAL INFORMATION.
 - △ 3 GROUNDS ARE SHOWN AS A SINGLE LINE FOR EASE IN TRACING. EACH GROUND CIRCUIT IS SEPERATE IN THE HARNESS.
 - 2 NOT A SPLICE POINT. INDICATES ENTRY INTO WIRING HARNESS.
- NOTES:
- SPLICES ARE THEORETICAL AND MAY DIFFER IN THE HARNESS.



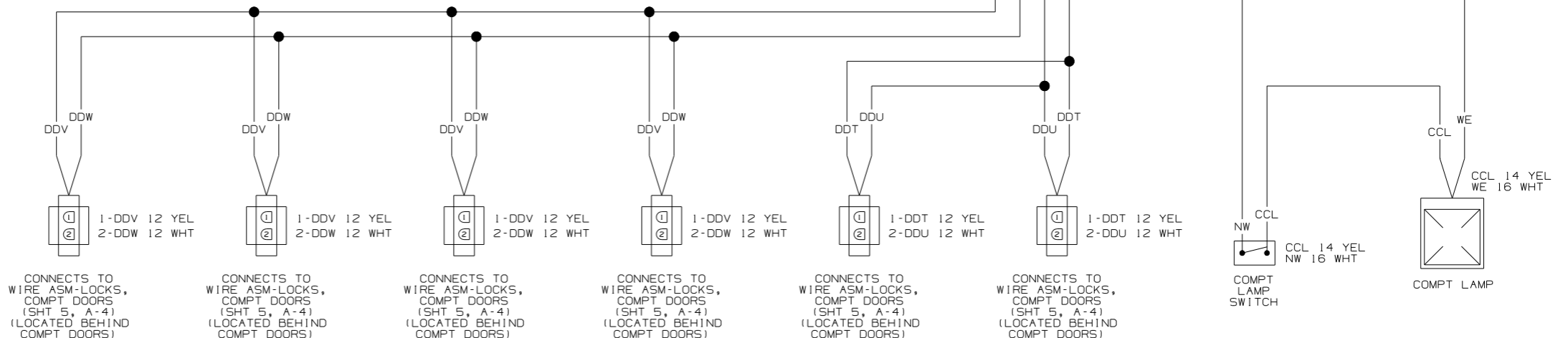
WIRING DIAGRAM-COACH (WIRE ASM 157295 REV-C)

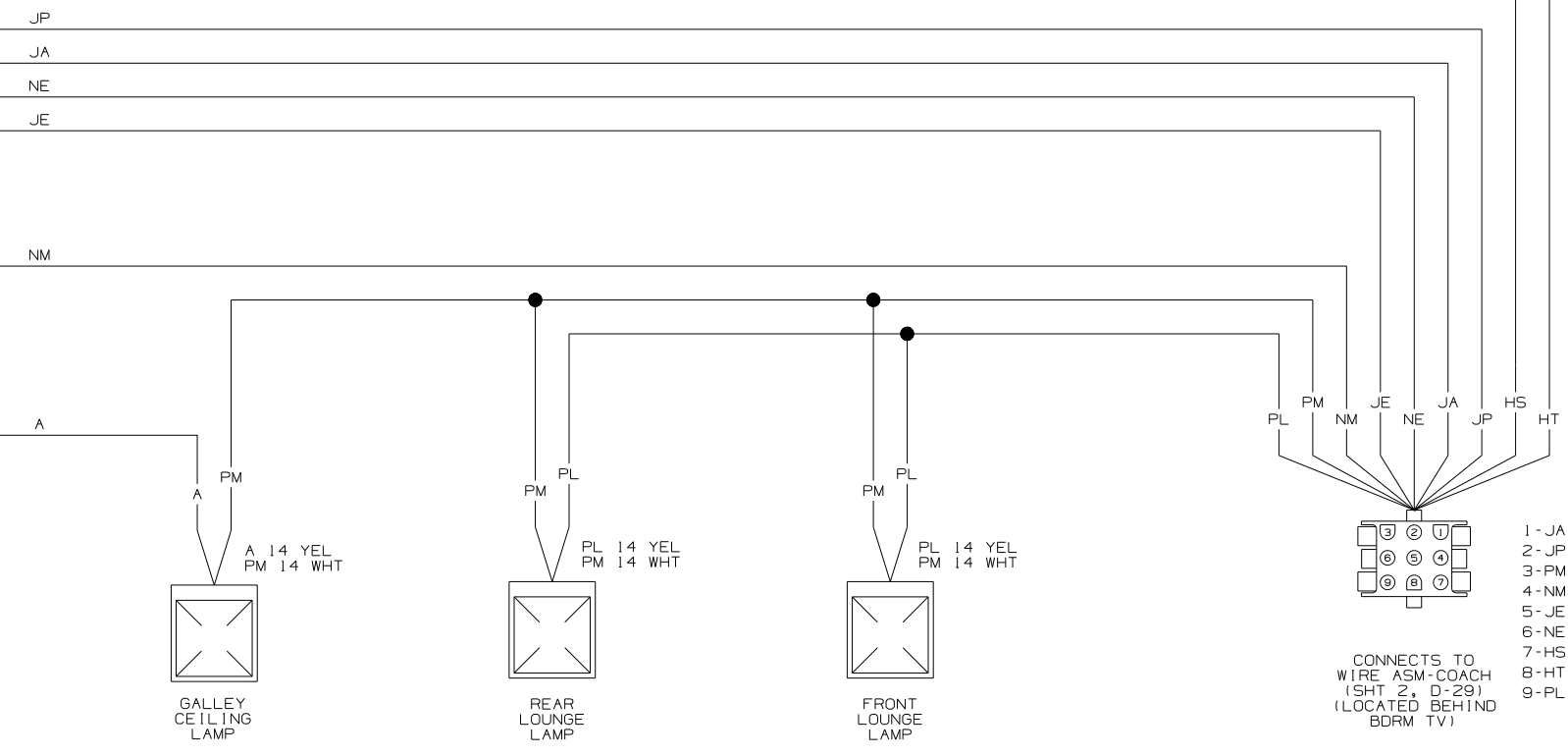
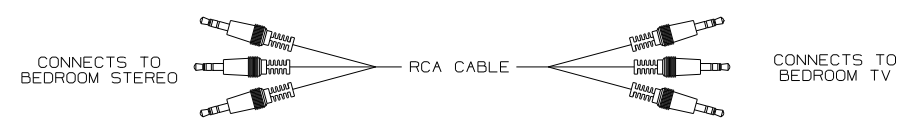
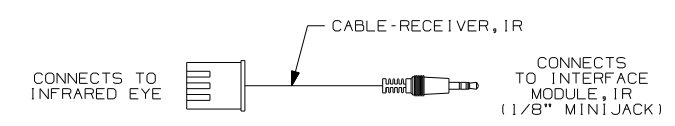
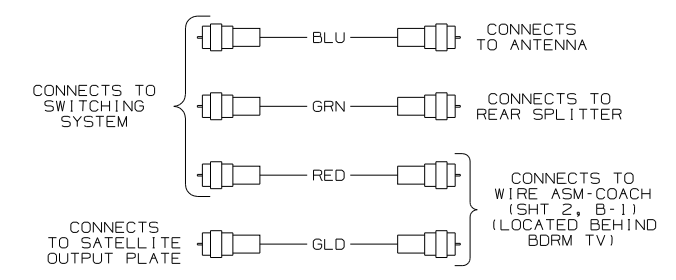
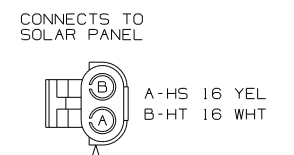
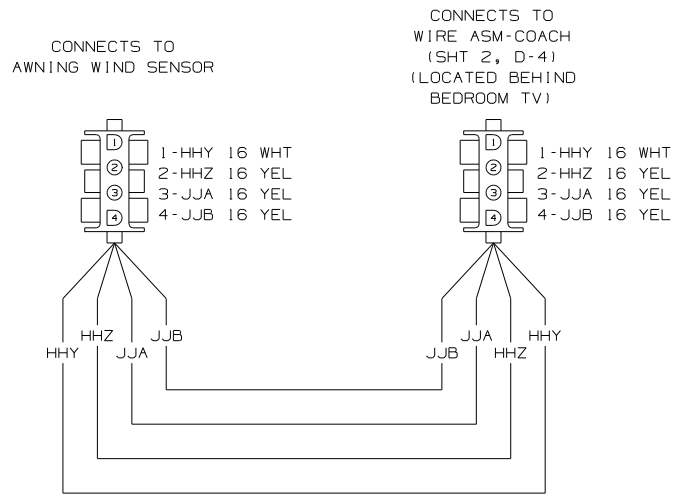
FIRST USED	07 P36G
TITLE	DO NOT SCALE DRAWING
TITLE	WIRING DIAGRAM-BODY, 12V
SHEET 2	PART NO 157292 REV





- 9 SEE WIRING DIAGRAM-AC/HEAT/EMS FOR ADDITIONAL INFORMATION.
 - 8 SEE WIRING DIAGRAM-HOLDING TANKS FOR ADDITIONAL INFORMATION.
 - 7 GL AND GL-1 ARE TO BE SPLICED TOGETHER 100MM AWAY FROM MONITOR PANEL HOUSING FOR ISOLATION PURPOSES.
 - 6 CIRCUIT IS FROM WIRE ASM-CHASSIS.
 - 5 SEE WIRING DIAGRAM-AUTO FOR ADDITIONAL INFORMATION.
 - 4 SEE MANUFACTURERS DIAGRAM FOR ADDITIONAL INFORMATION.
 - 3 GROUNDS ARE SHOWN AS A SINGLE LINE FOR EASE IN TRACING. EACH GROUND CIRCUIT IS SEPERATE IN THE HARNESS.
 - 2 NOT A SPLICE POINT. INDICATES ENTRY INTO WIRING HARNESS.
1. SPLICES ARE THEORETICAL AND MAY DIFFER IN THE HARNESS.

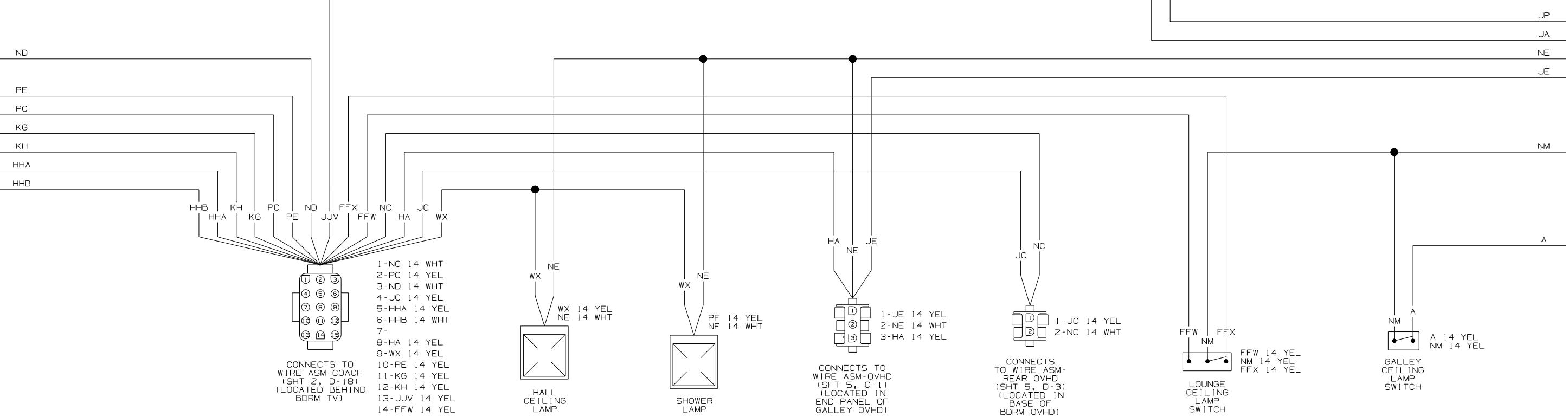
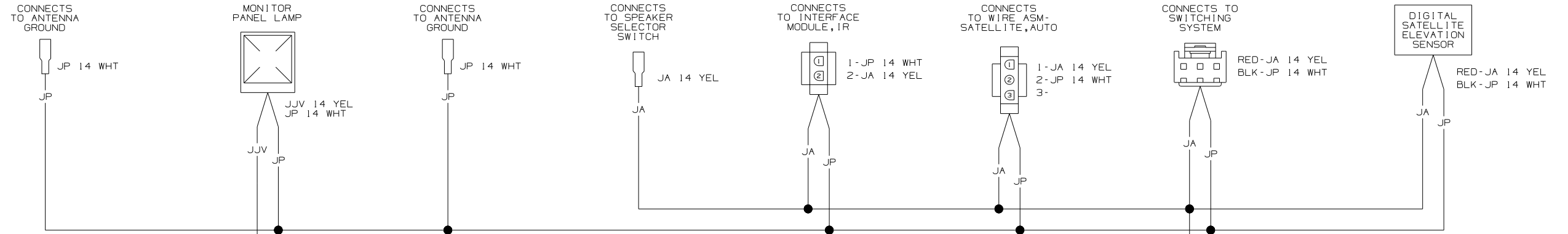


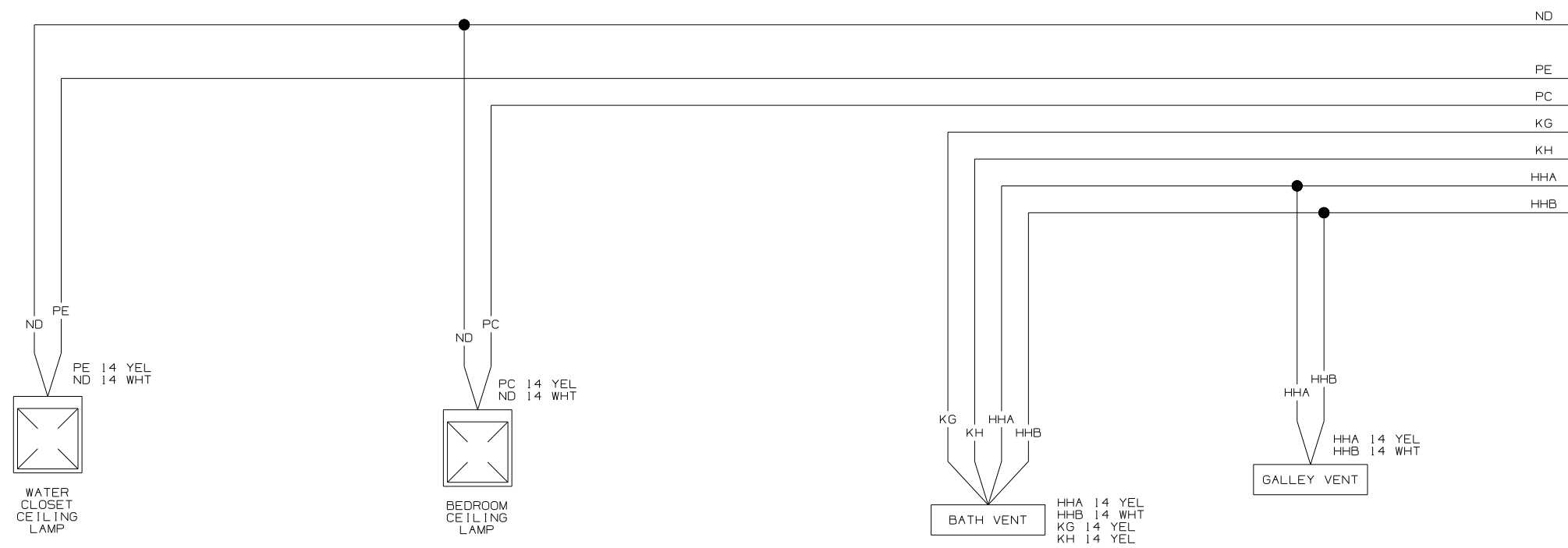
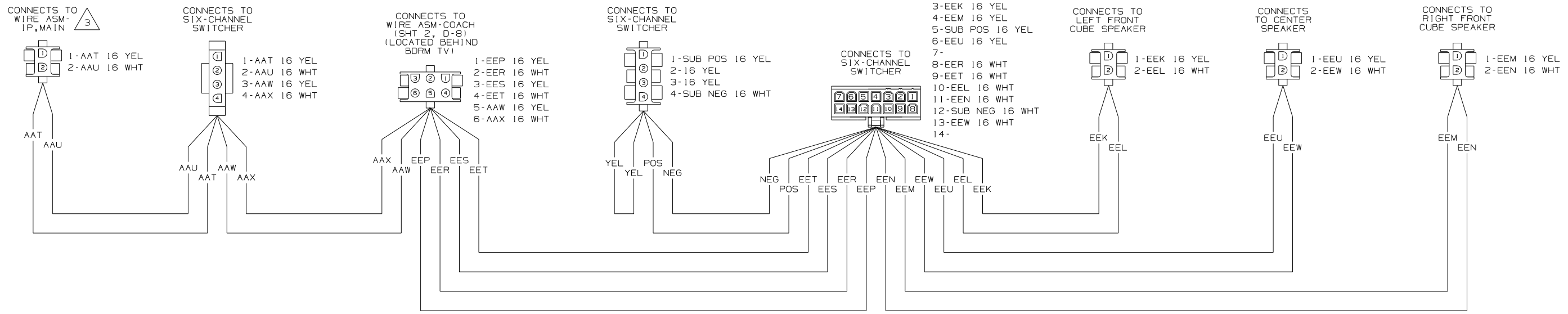


- 1-JA 14 YEL
- 2-JP 14 WHT
- 3-PM 14 WHT
- 4-NM 14 YEL
- 5-JE 14 YEL
- 6-NE 14 WHT
- 7-HS 16 YEL
- 8-HT 16 WHT
- 9-PL 14 YEL

WIRING DIAGRAM-ROOF
(WIRE ASM 157296 REV-C)

FIRST USED	07 P36G	
TITLE	DO NOT SCALE DRAWING	
	WIRING DIAGRAM-BODY, 12V	
F1	SHEET 3	PART NO 157292 REV

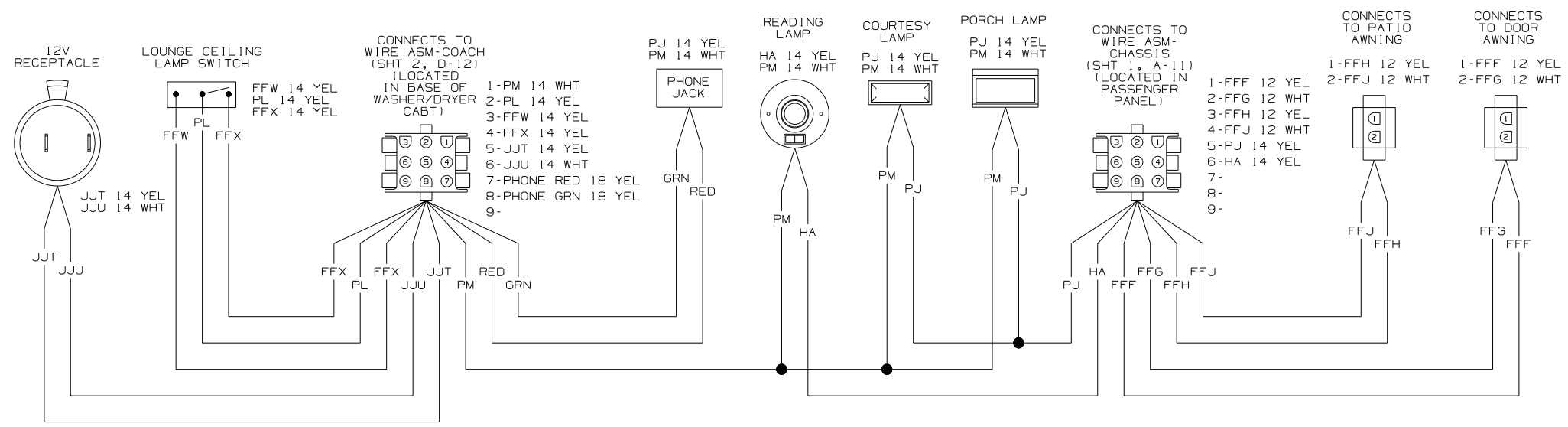




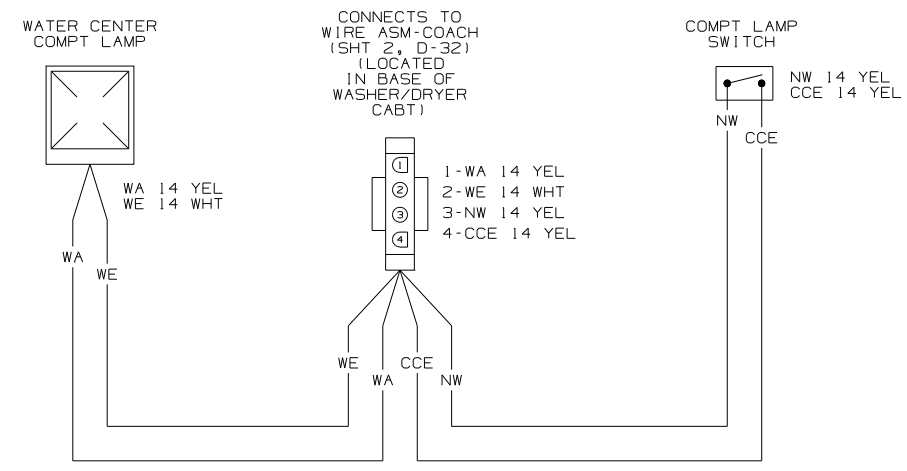
3 SEE WIRING DIAGRAM-AUTO FOR ADDITIONAL INFORMATION.

2 SEE MANUFACTURERS DIAGRAM FOR ADDITIONAL INFORMATION.

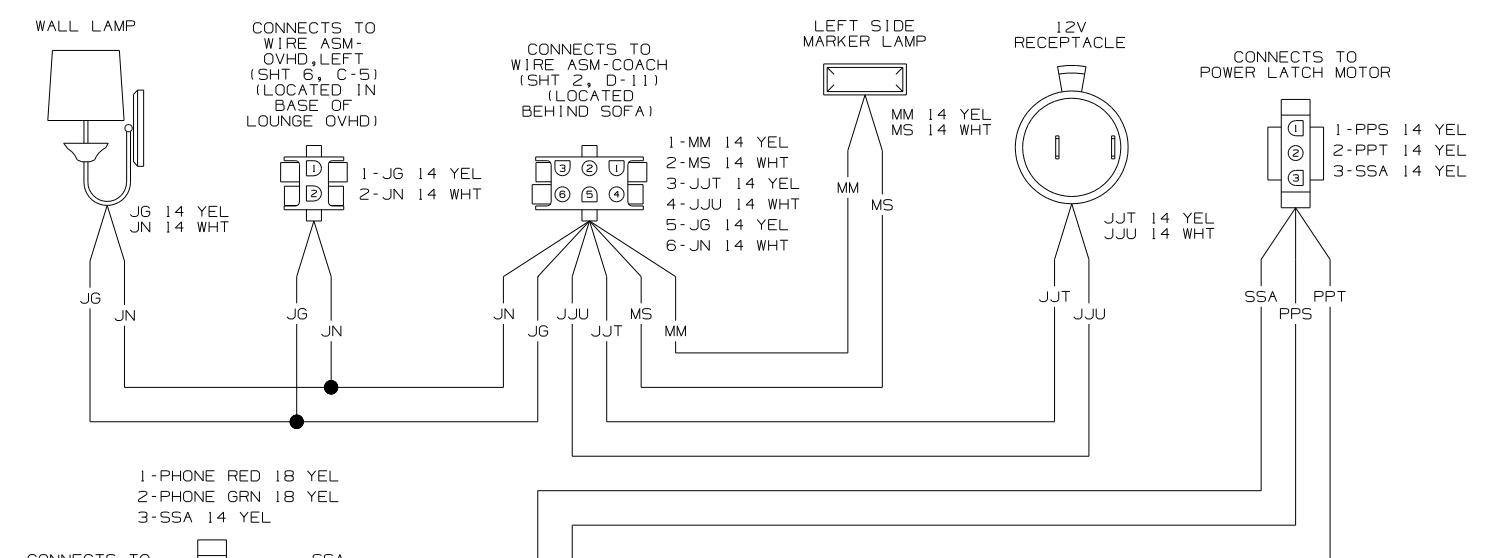
1. SPLICES ARE THEORETICAL AND MAY DIFFER IN THE HARNESS.



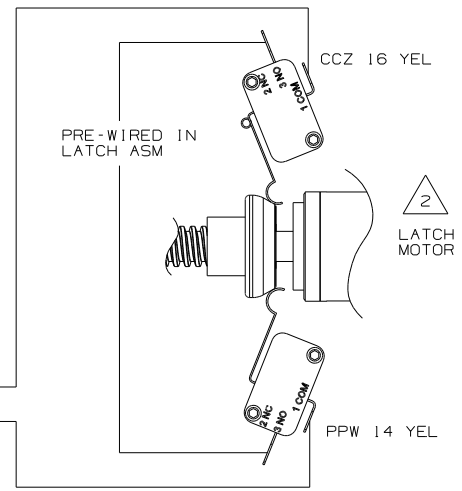
WIRING DIAGRAM-SIDEWALL
(WIRE ASM 158294 REV-A)



WIRING DIAGRAM-COMPT,LAMPS
(WIRE ASM 140654 REV-A)



WIRING DIAGRAM-SIDEWALL,LEFT
(WIRE ASM 157618 REV-A)

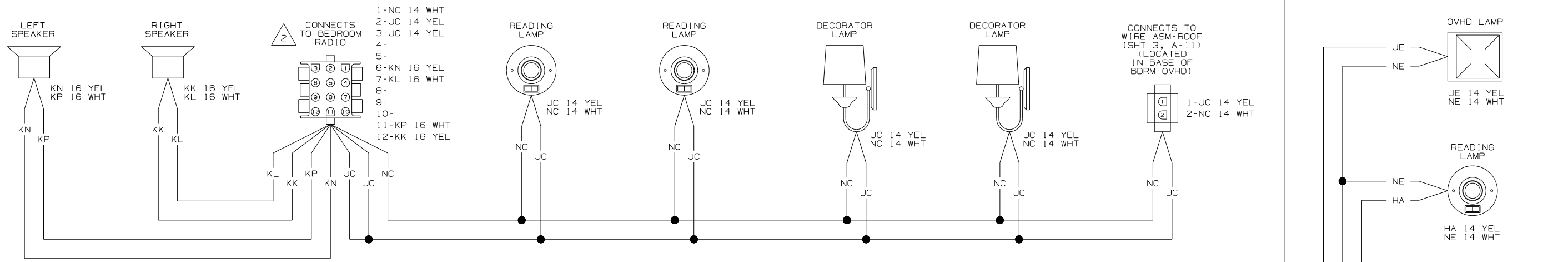


SEE MANUFACTURERS DIAGRAM FOR ADDITIONAL INFORMATION.

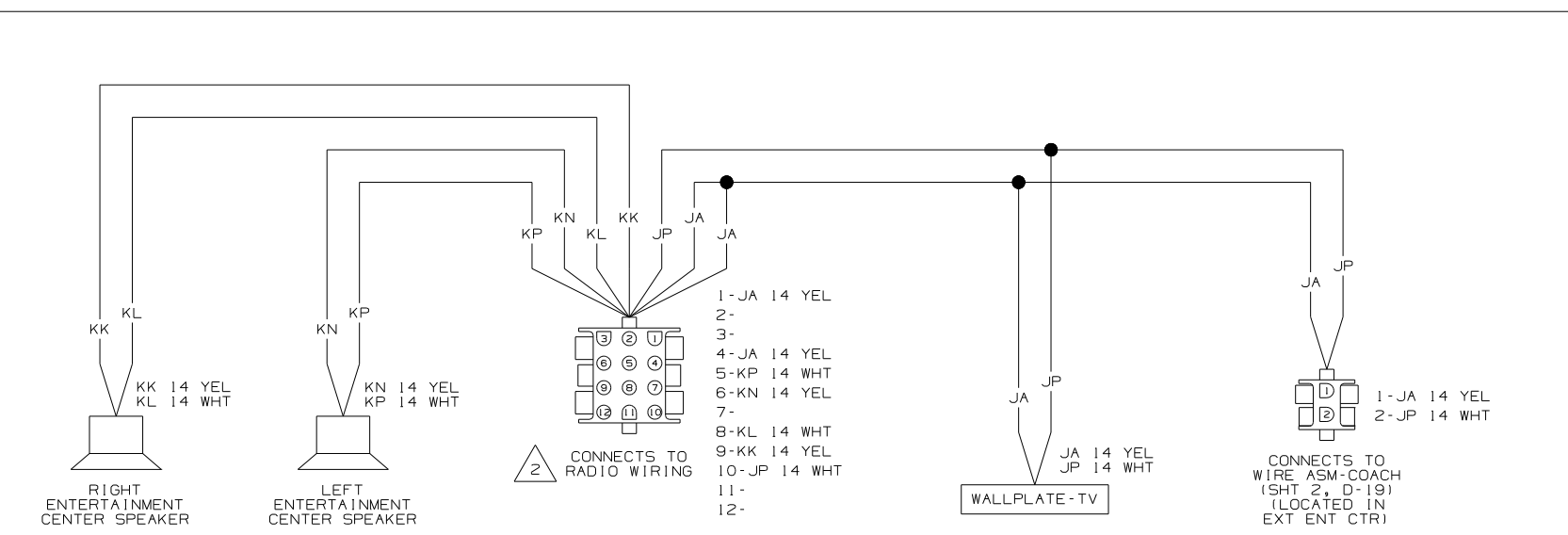
1. SPLICES ARE THEORETICAL AND MAY DIFFER IN THE HARNESS.

NOTES:

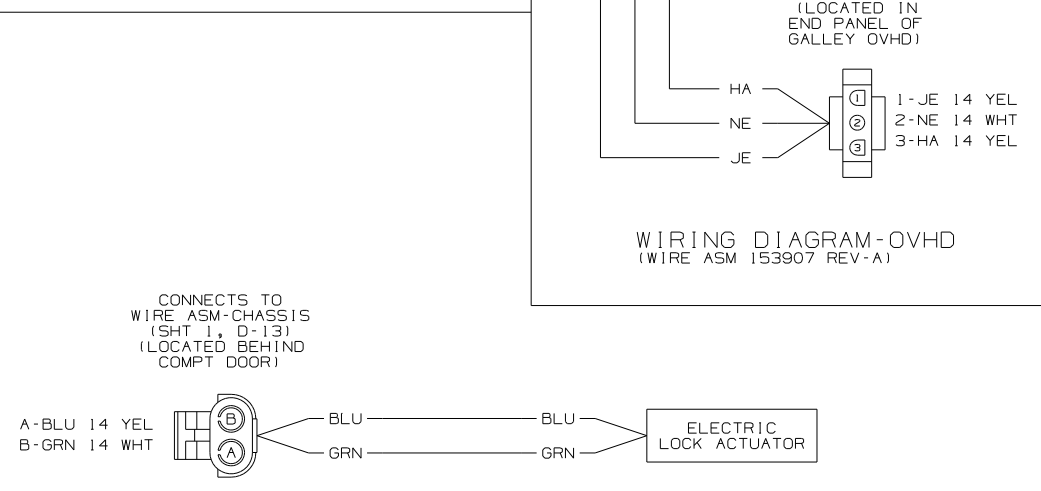
FIRST USED	07 P36G		
TITLE	DO NOT SCALE DRAWING		
	WIRING DIAGRAM-BODY, 12V		
SHEET 4	PART NO	157292	REV



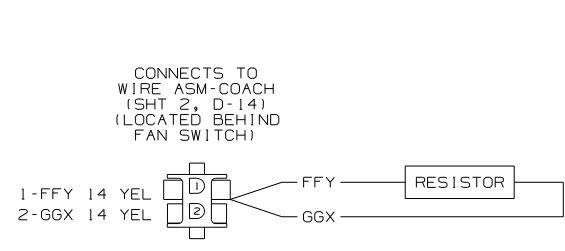
WIRING DIAGRAM-REAR OVHD
(WIRE ASM 152871 REV-B)



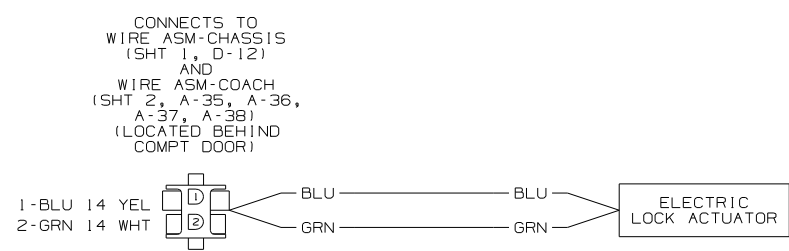
WIRING DIAGRAM-ENTERTAINMENT CTR
(WIRE ASM 125853-04 REV-L)



WIRING DIAGRAM-LOCKS, COMPT DOORS
(WIRE ASM 135834-03 REV-J)



WIRING DIAGRAM-RESISTOR, FAN
(WIRE ASM 140195 REV-A)



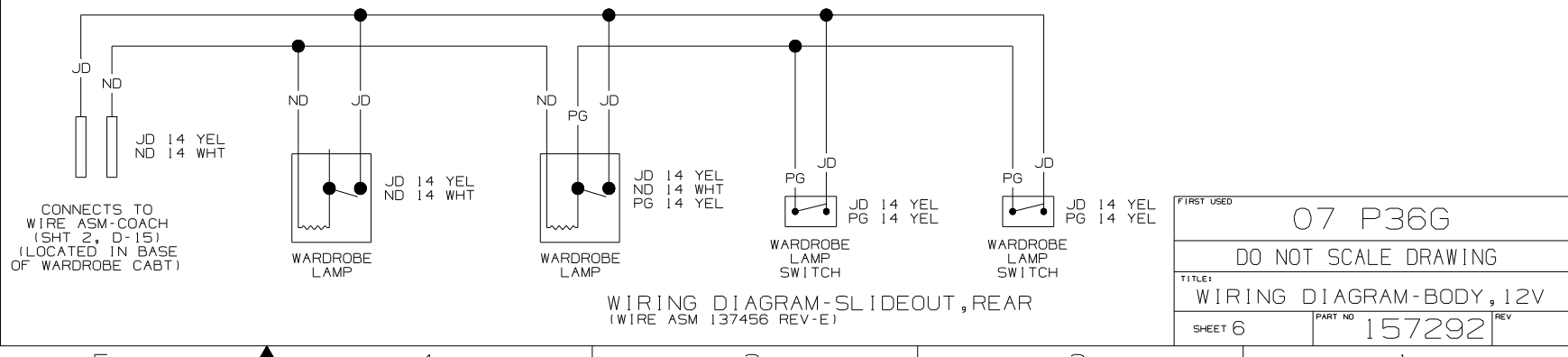
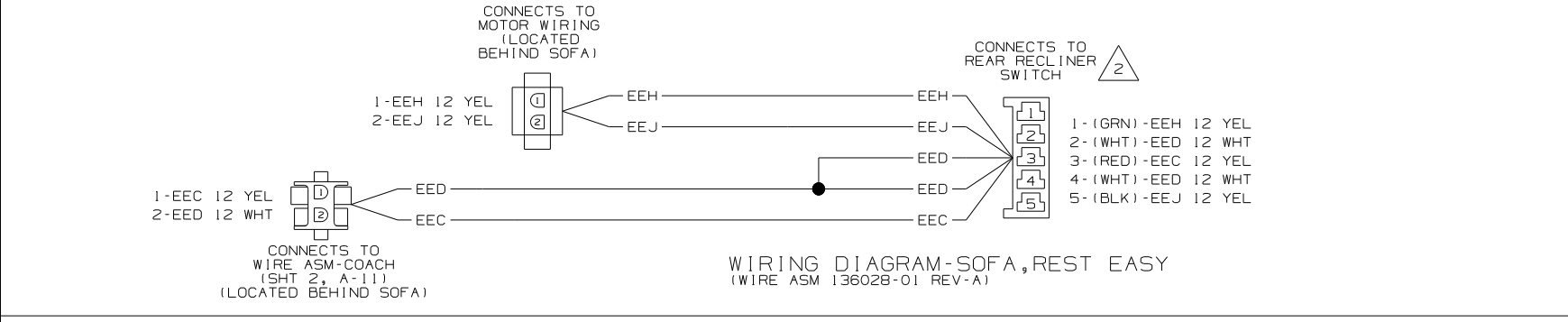
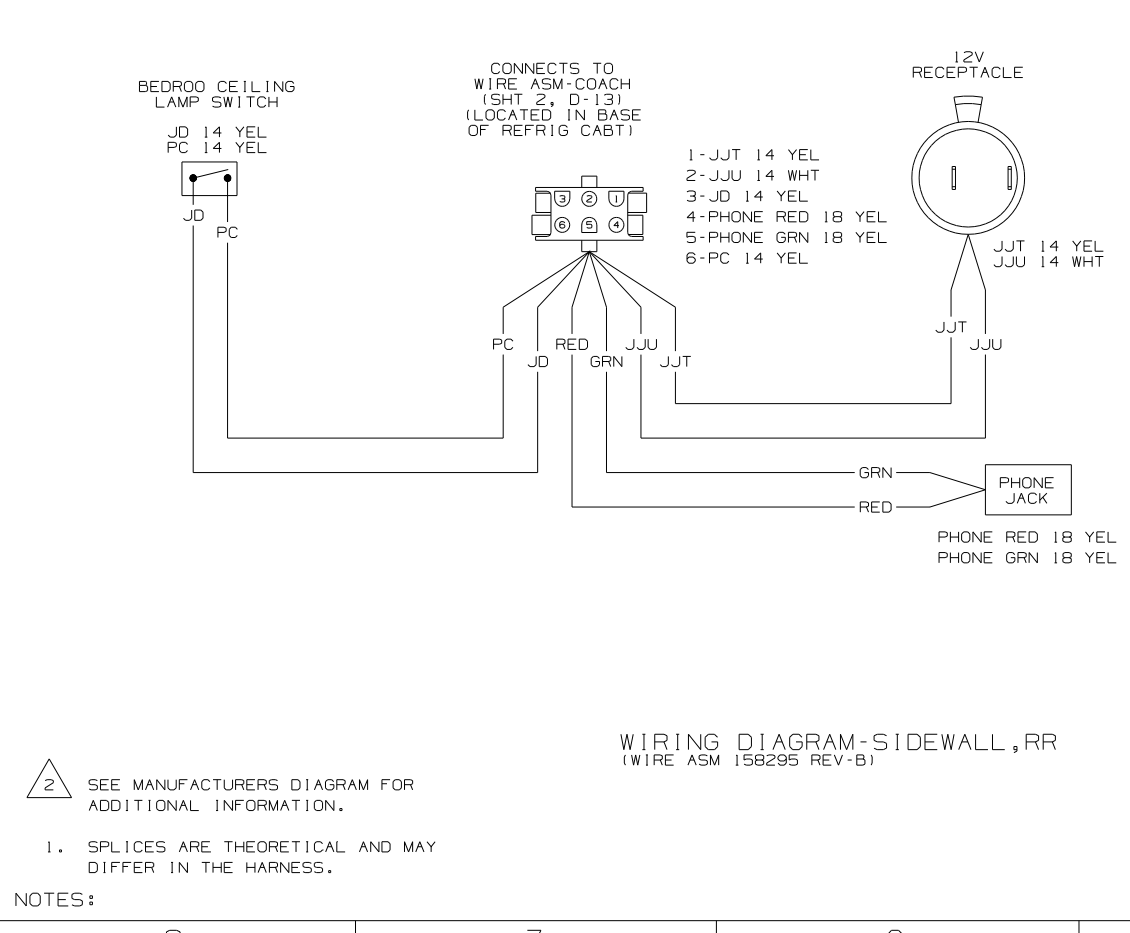
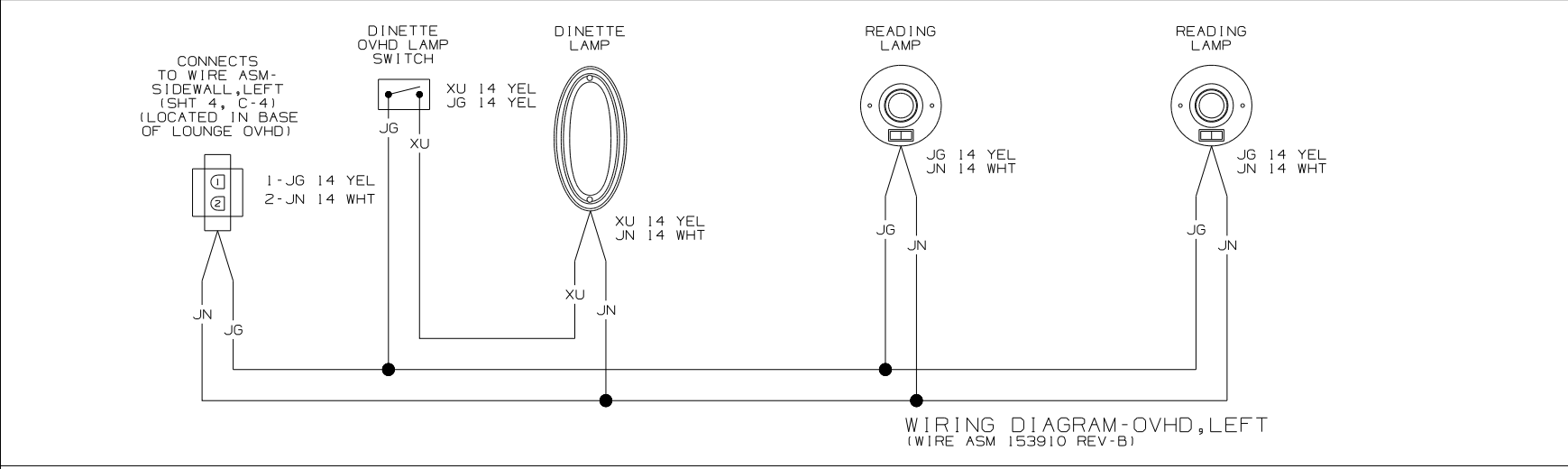
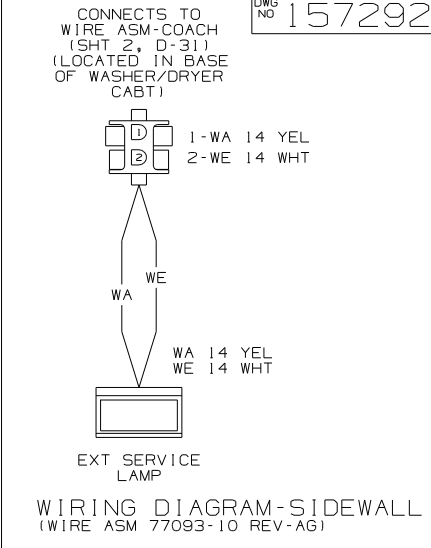
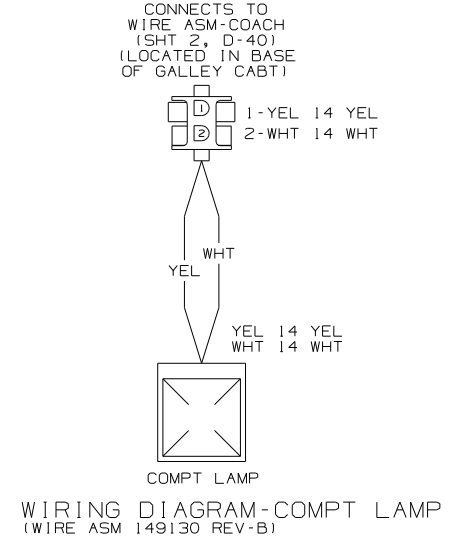
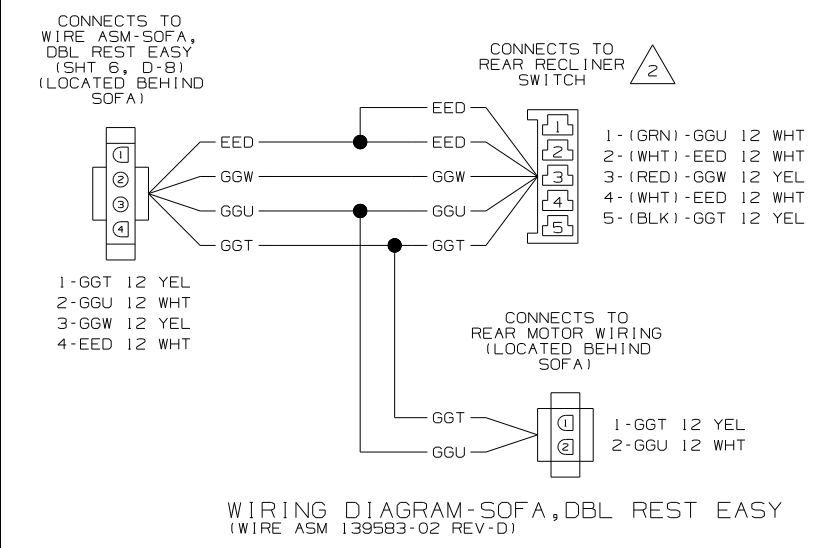
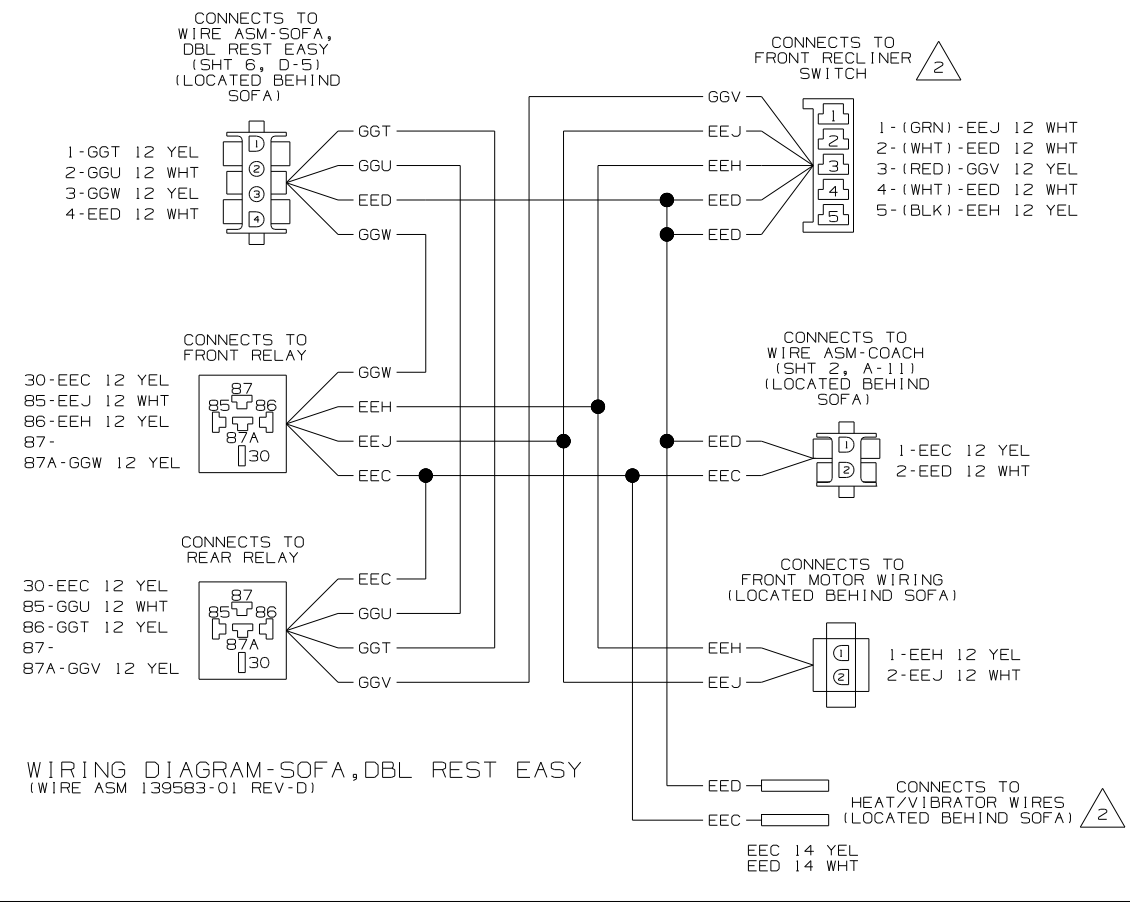
WIRING DIAGRAM-LOCKS, COMPT DOORS
(WIRE ASM 135834-02 REV-J AND WIRE ASM 135834-05 REV-J)

SEE MANUFACTURERS DIAGRAM FOR ADDITIONAL INFORMATION.

1. SPLICES ARE THEORETICAL AND MAY DIFFER IN THE HARNESS.

NOTES:

FIRST USED	07 P36G
TITLE	DO NOT SCALE DRAWING
TITLE	WIRING DIAGRAM-BODY, 12V
SHEET 5	PART NO 157292 REV
	1 2/5/2007



SEE MANUFACTURERS DIAGRAM FOR ADDITIONAL INFORMATION.

1. SPLICES ARE THEORETICAL AND MAY DIFFER IN THE HARNESS.

NOTES:

FIRST USED	07 P36G
TITLE	DO NOT SCALE DRAWING
TITLE	WIRING DIAGRAM-BODY, 12V
SHEET 6	PART NO 157292 REV
	1 2/5/2007